

SINGER
240W12

REVISED COPY
MACHINE NO. 240W12

11-19-58

Dept. 33

40

53

61

70

83

86

88(3)

92

Mr. R.W. Hewey
Mr. H.J. Carter

Mr. F. Parry
Mr. F. Breul (2)
Mr. E. Koons
Mr. E. Poffenberger
Mr. J. Lombardo


REVISED COPY
MACHINE NO. 240w12

243601P Cloth Plate

Note: Cloth Plate 243601X will be furnished in place of 243601P if so specified on order.

243602 - Cloth Plate Gasket .
222119X " " Position Pin
691X " " Screw (3)
25878 Edge Guide
51224X " " Thumb Screw
243760 Face Plate
243761 " " 243760 with 243712, 243773 and two 200137X
200166X " " Screw (2)
243615 Feed Bar with 200394C and 243634
243616 " " Carrier with 243618 and two 243620
243617 " " " Hinge Stud
243618 " " " " " Bearing
200364C " " " " " Set Screw
243619 " " Hinge Stud
243620 " " " " Bearing
243681 " " " " Collar with 200141F
200141F " " " " " Set Screw
200394C " " " " Set Screw
243621 " " Slide Block
243794 Feed Dog, for Umbrella Seaming and Necktie Work, for 243795
243631 " " Adjusting Plate
202F " " " " Screw
176D " " Screw
243632 " Driving Connection Link with 243633
243633 " " " " Bearing
243634 " " " " Hinge Stud

REVISED COPY
MACHINE NO. 240w12

243762	Feed Driving Link
243743	" Lubricating Wick
243637	" Regulating Connection
243638	" " " Hinge Pin
243789	" " Crank with 200066D
243640	" " " Bushing
200425C	" " " " Position Screw
350589AL	" " " " " " Check Screw
243790	" " " Eccentric Stud
243641	" " " Link with 243642
243642	" " " " Bearing
200066D	" " " Pinch Screw
243643	" " " Wheel (indexed) with 243638
350642C	" " " Lock Screw
243763	" " " " " Lever
1467X	" " " " " " Cap Screw
213949	" " " " " Washer
*243764	Frame with 243665, 244026 and three 222119X
243646	" End Cover
243745	" " " 243646 with 243744 and 350366X
243647	" " " Gasket
350366X	" " " Oil Stop Screw
243744	" " " " " " Gasket (vellumoid)
200099X	" " " Screw (4)
350366X	" Oil Stop Screw
243765	Looper 
243649	" Safety Guard
243710	" " " Compression Spring

REVISED COPY
MACHINE NO. 240w12

243650	Looper Safety Guard Post (2)
691X	" " " " Screw (2)
350589AL	" Set Screw (long)
350590AL	" " " (short)
243746	" Shaft with 350589AL and 350590AL
243652	" " Bearing (back)
243653	" " " (front)
243742	" " End Thrust Adjusting Collar with two 200392C
200392C	" " " " " " Set Screw
243741	" " " " Bushing
243604P	Machine Pulley (aluminum alloy casting) for 3/8 in. "V" belt (outside diam. of belt groove 2.6 in.) (rim diam. 3-3/16 in.) with two 200379C
243731	" " 243604P with 243606
Note: Machine Pulley 243731 furnished with this machine unless otherwise specified on order.	
243605P	Machine Pulley (aluminum alloy casting) for 5/16 in. round belt (diam. of belt groove 1-13/32 in.) (rim diam. 3-3/16 in.) with two 200379C
243732	" " 243605P with 243606
350419X	" " Adjusting Screw
243606	" " Ball Bearing
200379C	" " Set Screw
243607	" " Shaft
243608	" " " 243607 with 243609
243609	" " " Ball Bearing
243611	" " " Sleeve
243612	" " " " 243611 with 243613
243613	" " " " Oil Seal
200958X	" " " " Set Screw (2)

REVISED COPY
MACHINE NO. 240w12

243654	Needle Bar with 9611 and 200141F
243655	" " Bushing (2)
243656	" " Connecting Link
243657	" " " Stud with 200086ALX and 206758
206758	" " " " Oil Packing (wick)
200086ALX	" " " " Pinch Screw
243658	" " Driving Connection with 243657 and 243660
243659	" " " " Bushing (lower)
243660	" " " " " (upper)
243766	" " " Crank with 200058D
243767	" " " " 243766 with 243606
243606	" " " " Ball Bearing
200058D	" " " " Pinch Screw
243768	" " " Shaft with 12509
243769	" " " " 243768 with 243609
243609	" " " " Ball Bearing
243770	" " " " Oil Control Rod
350643X	" " " " " Metering Screw
201753X	" " " " " " " Nut
243771	" " " " Oiling Wick
12509	" " " " Pin
243772	" " " Oiling Felt
243773	" " " " Retainer
9611	" " Thread Tube
200141F	" Set Screw
243665	Oil Lever Indicator
243666	" Reservoir Cover
243667	" " " Gasket
200064X	" " " Screw (12)
243774	Presser Bar with 200110D

REVISED COPY
MACHINE NO. 240w12

243775	Presser Bar Bushing
243673	" " Lifter
200201C	" " " Hinge Screw
243776	" " Lifting Bracket with 200110D
200110D	" " " " Pinch Screw
✓243777	" " " " Rock Shaft
202510	" " " " " Collar with 200141F
200141F	" " " " " Set Screw
243778	" " " " " Crank with 200141XC
200141XC	" " " " " Set Screw
243779	" " " " " Clamp Collar with 200089X
200089X	" " " " " Shaft Crank Clamp Collar Pinch Screw
243749	" " " " " Spring
244026	" " " " " Stop Pin
243780	" " " Spring
243781	" " " Guide Rod
1121X	" " Thumb Screw (pressure regulating)
243675	" Feet, for Umbrella Seaming and Necktie Work
200110D	" " Screw
2102	Tension Disc (2)
13710	" Spring
350557C	" Stud
243782	" Thread Guide
1560F	" Thumb Nut
243696	Tension complete, Nos. 156CF, 13710, 350557C and two 2102
243791	Thread Guide with 243792 and 243793
243792	" " Eyelet Bushing
243793	" " " " Retaining Ring
243698	" Measuring Adjusting Knob (indexed)

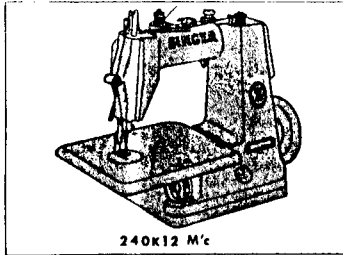
REVISED COPY
MACHINE NO. 240w12

200241C	Thread Measuring Adjusting Knob Hinge Screw
243700	" " " " Spring
243701	" " Pull-off Finger
200136C	" " " " Screw
243702	" " Thread Guide
222119X	" " " " Hinge Pin
2455	" Nipper Disc (2)
243784	" " Rod with 243706 and 243707
201754XC	" " " Nut
201669E	" " " " Lock Nut
*243706	" " " Operating Sleeve
243707	" " " " " Plug
243785	" " " Spring
350644X	" " Screw Bushing
1623C	" " " " Lock Nut
243786	" " Thread Guide
210683	" Retainer Bracket with 200397X
200137X	" " " Screw (2)
210993	" " Sleeve
210992	" " Spring
243711	" " Stud
210958	" " " Collar
200397X	" " " Set Screw
243712	Thread Retainer Bracket complete, Nos. 210683, 210958, 210992 210993 and 243711
243795	Throat Plate, for 243794
244X	" " " Screw (2)

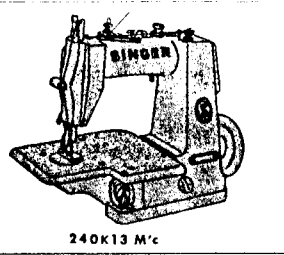
REVISED COPY
MACHINE NO. 24Cw12

ACCESSORIES

- 228720 Drip Pan with four each 228721 and wood screws 1-1/4 in.
No. 8, R.H.B.
- 228730 Knee Lifter Rock Lever complete
- 24 x 1 Needles, six, size #11
- 16C727 Oil Container (filled, 5 oz. Mfg. Oil, light grade, not
stainless) Nos. 16C725 and 16C726
- 16C728 " " Spout
- 225498 Screw Driver (7-1/4 in. long)
- 228476 " "
- 228775 Thread Unwinder (for one spool) complete
- 243787 Wrench
- 24C566 Wrench, (1/16 in. Hex.)

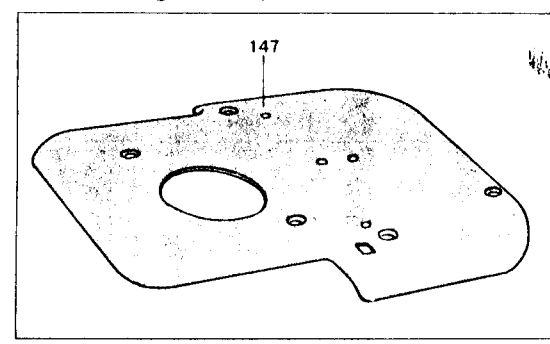
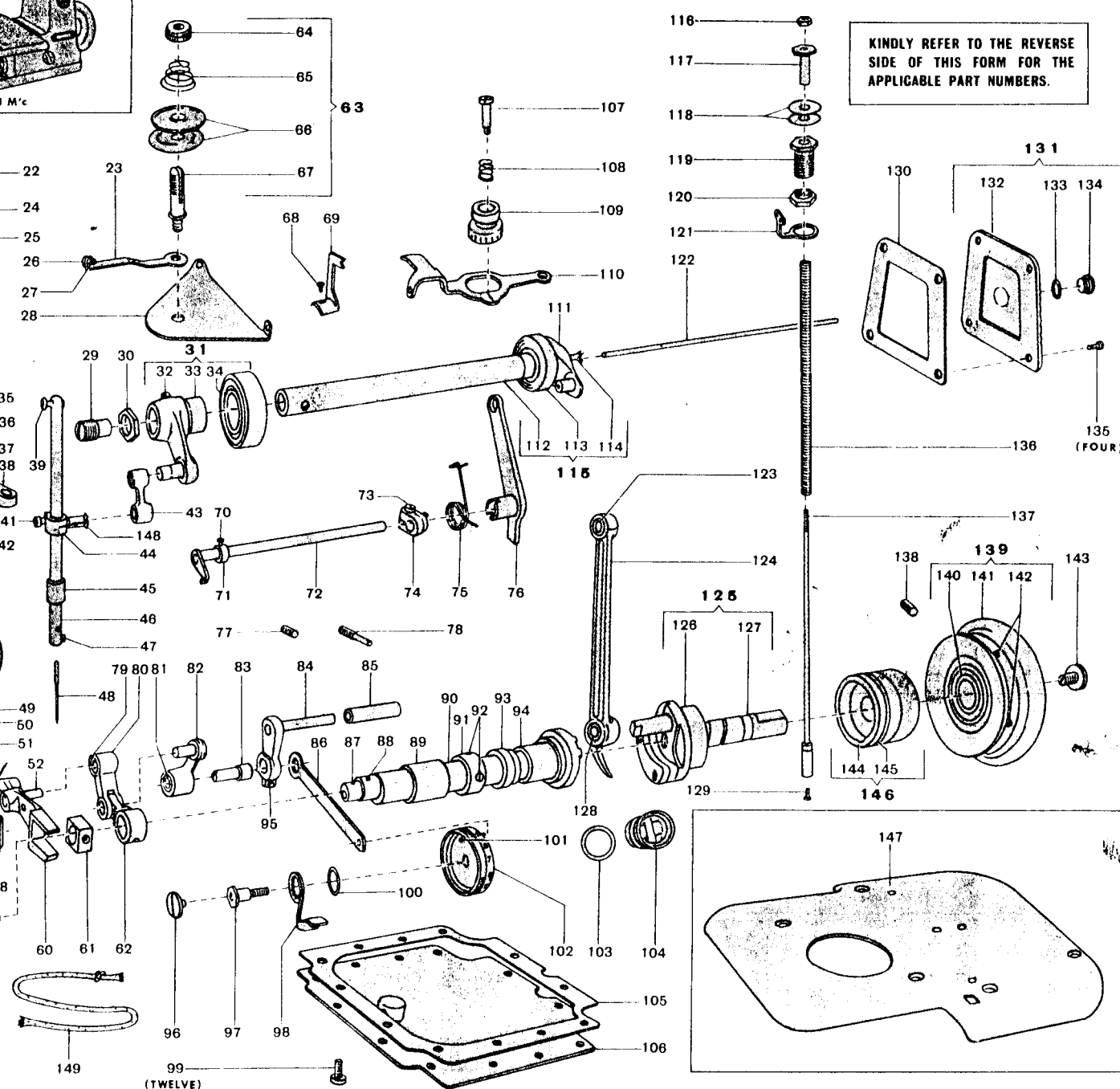
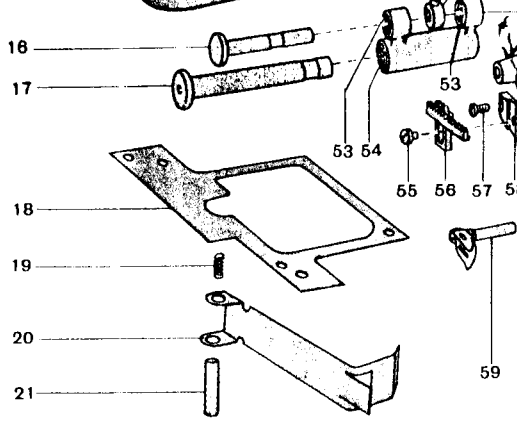
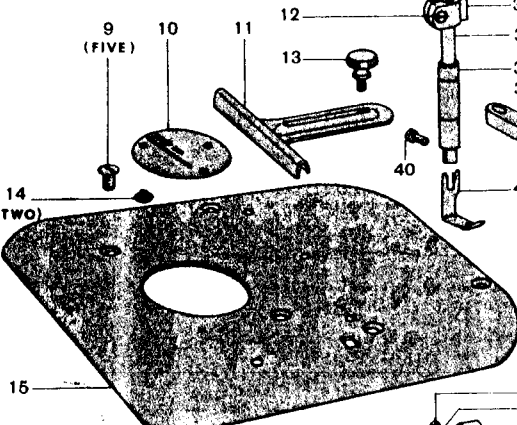
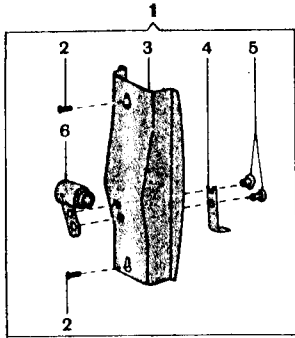


240k12 M/c



240k13 M/c

SINGER 240k12 & 240k13



KINDLY REFER TO THE REVERSE SIDE OF THIS FORM FOR THE APPLICABLE PART NUMBERS.

*A Trademark of THE SINGER MANUFACTURING COMPANY

THE SINGER MANUFACTURING COMPANY

Copyright under International Copyright Union

Form K6466 (1162)

Printed in Great Britain

* SCREW # 200394

LIST OF PARTS FOR 240K12 & 240K13 MACHINES

Illustr. Ref. No.	Part No.	Description
1	243761	Face Plate Complete
2	200166	Face Plate Screw
3	243760	Face Plate
4	243773	Needle Bar Oiling Felt Retainer
5	200137	Thread Retainer Bracket Screw
6	243712	Thread Retainer Bracket Complete
7	243673	Presser Bar Lifter
8	200201	Presser Bar Lifter Hinge Screw
9	691	Cloth Plate Screw (4)
9	691	Looper Safety Guard Post Screw
10	243795	Throat Plate for 240K12 Machine
10	243797	Throat Plate for 240K13 Machine
11	25878	Edge Guide
12	200110	Presser Bar Lifting Bracket Pinch Screw
13	51224	Edge Guide Thumb Screw
14	244	Throat Plate Screw
15	243601	Cloth Plate for 240K12 Machine
16	243619	Feed Bar Hinge Stud
17	243617	Feed Bar Carrier Hinge Stud
18	243602	Cloth Plate Gasket
19	243710	Looper Safety Guard Compression Spring
20	243649	Looper Safety Guard
21	243650	Looper Safety Guard Post
22	1121	Presser Bar Thumb Screw (pressure regulating)
23	243791	Thread Guide
24	243781	Presser Bar Spring Guide Rod
25	243780	Presser Bar Spring for 240K12 Machine
25	243788	Presser Bar Spring for 240K13 Machine
26	243792	Thread Guide Eyelet Bushing
27	243793	Thread Guide Eyelet Bushing Retaining Ring
28	243782	Tension Thread Guide
29	350643	Needle Bar Driving Shaft Oil Metering Screw
30	201753	Needle Bar Driving Shaft Oil Metering Screw Nut
31	243767	Needle Bar Driving Crank Complete
32	200058	Needle Bar Driving Crank Pinch Screw
33	243766	Needle Bar Driving Crank
34	243606	Needle Bar Driving Crank Ball Bearing
35	243776	Presser Bar Lifting Bracket
36	243774	Presser Bar
37	243775	Presser Bar Bushing
38	243772	Needle Bar Oiling Felt
39	9611	Needle Bar Thread Tube
40	200110	Presser Foot Screw
41	200086	Needle Bar Connecting Stud Pinch Screw
42	243675	Presser Foot for 240K12 Machine
42	243691	Presser Foot for 240K13 Machine
43	243656	Needle Bar Connecting Link
44	243657	Needle Bar Connecting Stud
45	243655	Needle Bar Bushing
46	243654	Needle Bar
47	200141	Needle Set Screw
48	Cat. III	Needle, size II (24x1)
49	200141	Feed Bar Hinge Stud Collar Set Screw
50	243681	Feed Bar Hinge Stud Collar
51	243616	Feed Bar Carrier
52	243634	Feed Driving Connection Link Hinge Stud
53	243620	Feed Bar Hinge Stud Bearing
54	243618	Feed Bar Carrier Hinge Stud Bearing
55	176	Feed Dog Screw
56	243794	Feed Dog for 240K12 Machine
56	243796	Feed Dog for 240K13 Machine
57	202	Feed Dog Adjusting Plate Screw
58	243631	Feed Dog Adjusting Plate
59	243765	Looper
60	243615	Feed Bar
61	243621	Feed Bar Slide Block
62	243762	Feed Driving Link
63	243696	Tension Complete
64	1560	Tension Thumb Nut
65	13710	Tension Spring
66	2102	Tension Disc
67	350557	Tension Stud
68	200136	Thread Measuring Pull-off Finger Screw
69	243701	Thread Measuring Pull-off Finger
70	200141	Presser Bar Lifting Rock Shaft Collar Set Screw
71	202510	Presser Bar Lifting Rock Shaft Collar
72	243777	Presser Bar Lifting Rock Shaft
73	200089	Presser Bar Lifting Rock Shaft Crank Clamp Collar Pinch Screw
74	243779	Presser Bar Lifting Rock Shaft Crank Clamp Collar

Illustr. Ref. No.	Part No.	Description
75	243749	Presser Bar Lifting Rock Shaft Crank Spring
76	243778	Presser Bar Lifting Rock Shaft Crank
77	350589	Feed Regulating Crank Bushing Position Screw Check Screw
78	200425	Feed Regulating Crank Bushing Position Screw
79	243633	Feed Driving Connection Link Bearing
80	243632	Feed Driving Connection Link for 240K12 Machine
80	243726	Feed Driving Connection Link for 240K13 Machine
81	243642	Feed Regulating Crank Link Bearing
82	243641	Feed Regulating Crank Link
83	243790	Feed Regulating Crank Eccentric Stud
84	243789	Feed Regulating Crank
85	243640	Feed Regulating Crank Bushing
86	243637	Feed Regulating Connection for 240K12 Machine
86	243727	Feed Regulating Connection for 240K13 Machine
87	350750	Looper Set Screw (short)
88	350589	Looper Set Screw (long)
89	243653	Looper Shaft Bearing (front)
90	243740	Looper Shaft Complete
91	243742	Looper Shaft End Thrust Adjusting Collar
92	200392	Looper Shaft End Thrust Adjusting Collar Set Screw
93	243741	Looper Shaft End Thrust Bushing
94	243652	Looper Shaft Bearing (back)
95	200066	Feed Regulating Crank Pinch Screw
96	1467	Feed Regulating Wheel Lock Screw Lever Cap Screw
97	350642	Feed Regulating Wheel Lock Screw
98	243763	Feed Regulating Wheel Lock Screw Lever
99	200064	Oil Reservoir Cover Screw
100	213949	Feed Regulating Wheel Lock Screw Washer
101	243658	Feed Regulating Connection Hinge Pin
102	243643	Feed Regulating Wheel (Indexed) for 240K12 Machine
102	243728	Feed Regulating Wheel (Indexed) for 240K13 Machine
103	243799	Oil Level Indicator Oil Seal
104	243798	Oil Level Indicator
105	243667	Oil Reservoir Cover Gasket
106	243666	Oil Reservoir Cover
107	200241	Thread Measuring Adjusting Knob Hinge Screw
108	243700	Thread Measuring Adjusting Knob Spring
109	243698	Thread Measuring Adjusting Knob (Indexed)
110	243702	Thread Measuring Thread Guide
111	12509	Needle Bar Driving Shaft Pin
112	243768	Needle Bar Driving Shaft
113	243609	Needle Bar Driving Shaft Ball Bearing
114	243771	Needle Bar Driving Shaft Oiling Wick
115	243769	Needle Bar Driving Shaft Complete
116	201669	Thread Nipper Rod Nut Lock Nut
117	201754	Thread Nipper Rod Nut
118	2455	Thread Nipper Disc
119	350644	Thread Nipper Screw Bushing
120	1623	Thread Nipper Screw Bushing Lock Nut
121	243786	Thread Nipper Thread Guide
122	243770	Needle Bar Driving Shaft Oil Control Rod
123	243660	Needle Bar Driving Connection Bushing (upper)
124	243658	Needle Bar Driving Connection
125	243608	Machine Pulley Shaft Complete
126	243609	Machine Pulley Shaft Ball Bearing
127	243607	Machine Pulley Shaft
128	243659	Needle Bar Driving Connection Bushing (lower)
129	243707	Thread Nipper Rod Operating Sleeve Plug
130	243647	Frame End Cover Gasket
131	243745	Frame End Cover Complete
132	243646	Frame End Cover
133	243744	Frame End Cover Oil Stop Screw Gasket
134	350366	Frame End Cover Oil Stop Screw
135	200099	Frame End Cover Screw
136	243785	Thread Nipper Rod Spring
137	243784	Thread Nipper Rod
138	200958	Machine Pulley Shaft Sleeve Set Screw
139	243731	Machine Pulley Complete for 3/8" "V" Belt
139	243732	Machine Pulley Complete for 5/16" Belt
140	243606	Machine Pulley Ball Bearing
141	243604	Machine Pulley for 243731
141	243605	Machine Pulley for 243732
142	200379	Machine Pulley Set Screw
143	350419	Machine Pulley Adjusting Screw
144	243611	Machine Pulley Shaft Sleeve
145	243613	Machine Pulley Shaft Sleeve Oil Seal
146	243612	Machine Pulley Shaft Sleeve Complete
147	243725	Cloth Plate for 240K13 Machine
148	206758	Needle Bar Connecting Stud Oil Packing (wick)
149	243743	Feed Lubricating Wick