

*Columbia*

**ILLUSTRATED SPARE PARTS LIST  
FOR  
HIGH SPEED  
OVERLOCK MACHINE**

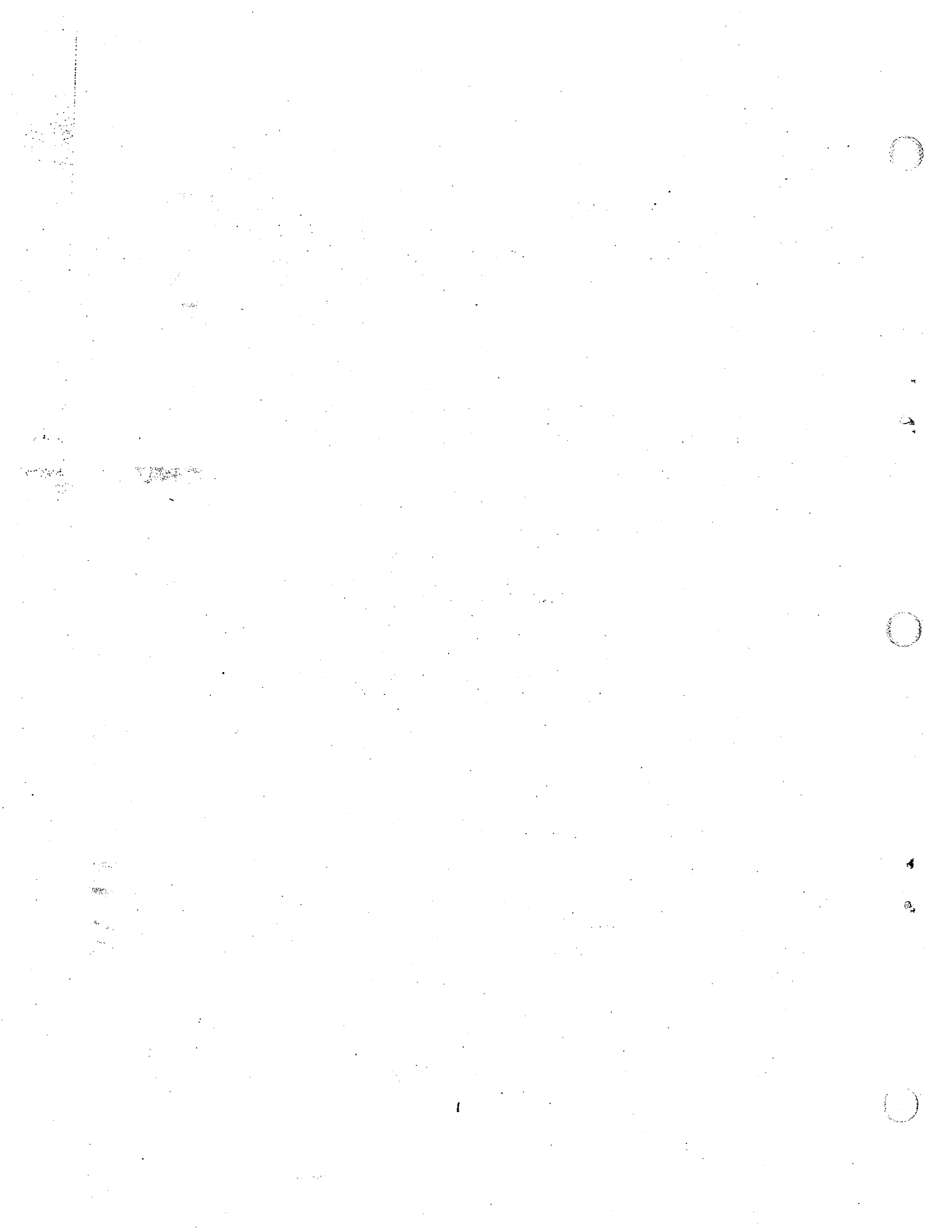
**MODEL**

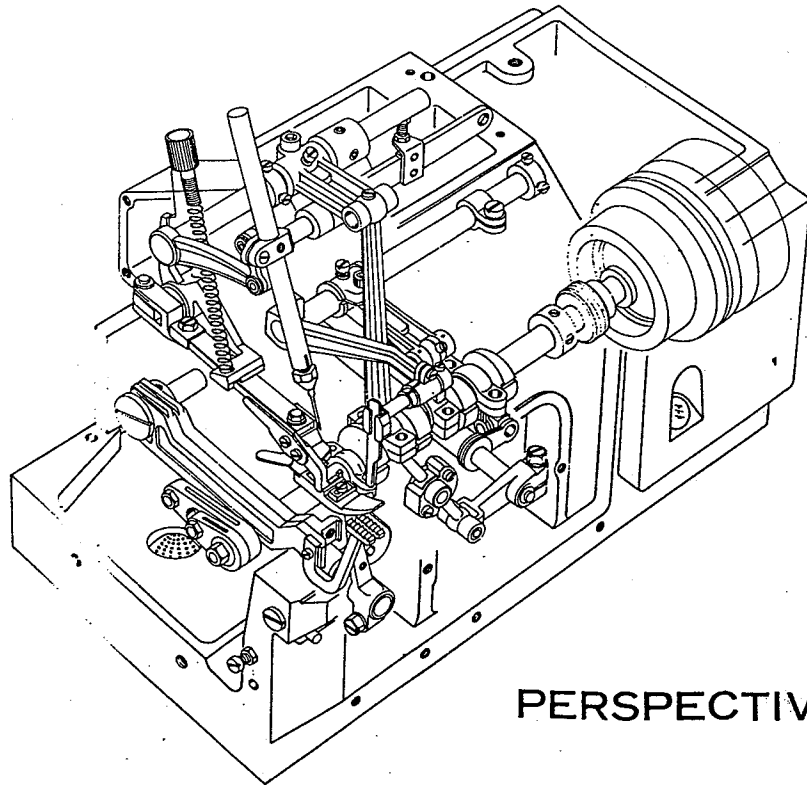
---

**600-1 600-2 600-3 600-4**

*Union Special*<sup>®</sup>

**MACHINE COMPANY**





PERSPECTIVE

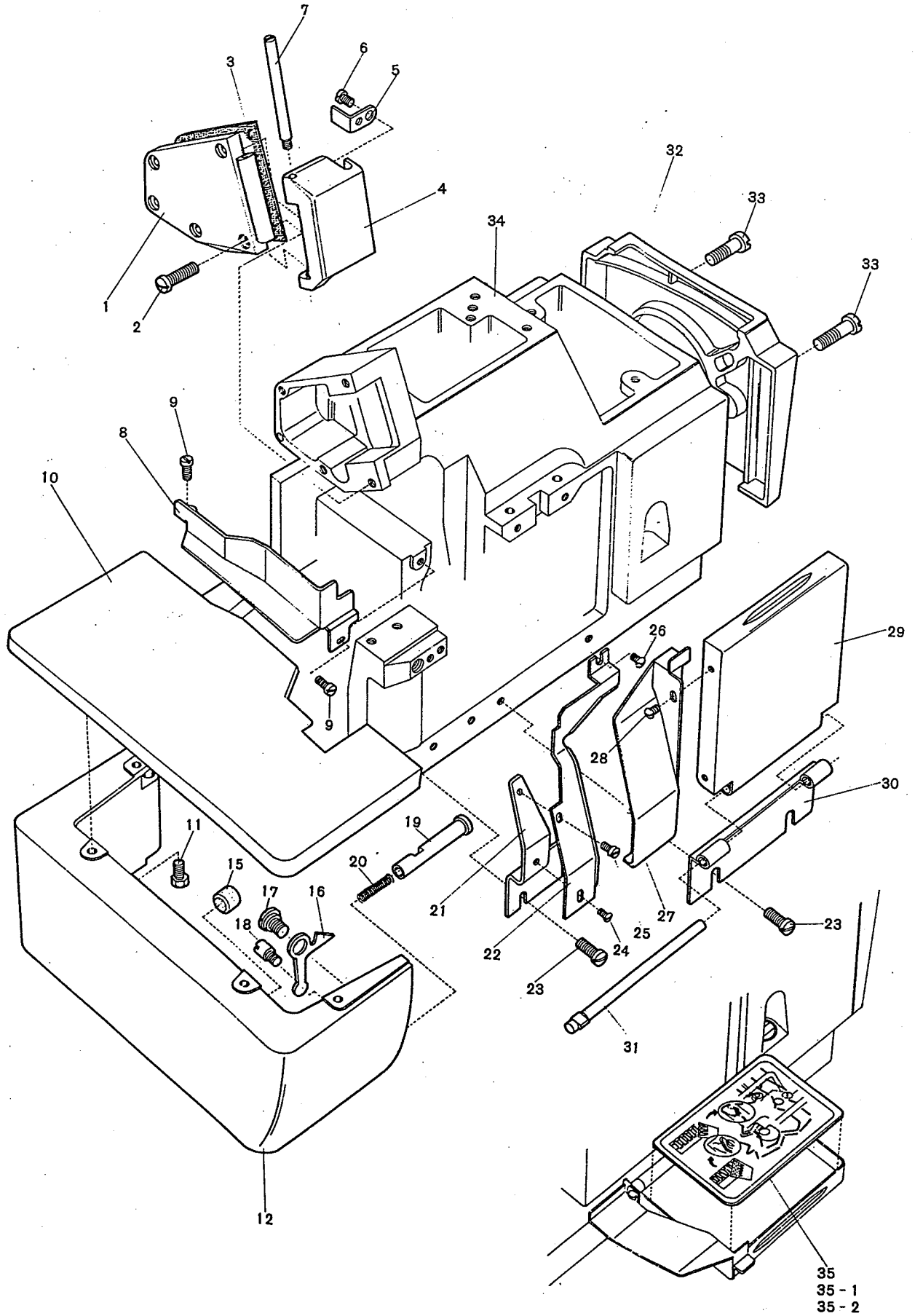
## CONTENTS

|  |    |
|--|----|
| MISCELLANEOUS COVER (1)                | 1  |
| MISCELLANEOUS COVER (2)                | 2  |
| THREAD EYELET AND BASE                 | 3  |
| MISCELLANEOUS BUSHING AND CRANK SHAFT  | 4  |
| NEEDLE BAR AND KNIFE DRIVING MECHANISM | 5  |
| LOOPER DRIVING MECHANISM               | 6  |
| PRESSER FOOT MECHANISM                 | 7  |
| FEED DRIVING MECHANISM                 | 8  |
| OIL LUBRICATING SYSTEM                 | 9  |
| 600-2, -3, -4 EXCLUSIVE PARTS          | 10 |
| 600-4 EXCLUSIVE PARTS                  | 11 |
| ACCESSORY                              | 12 |
| INDEX                                  | 13 |



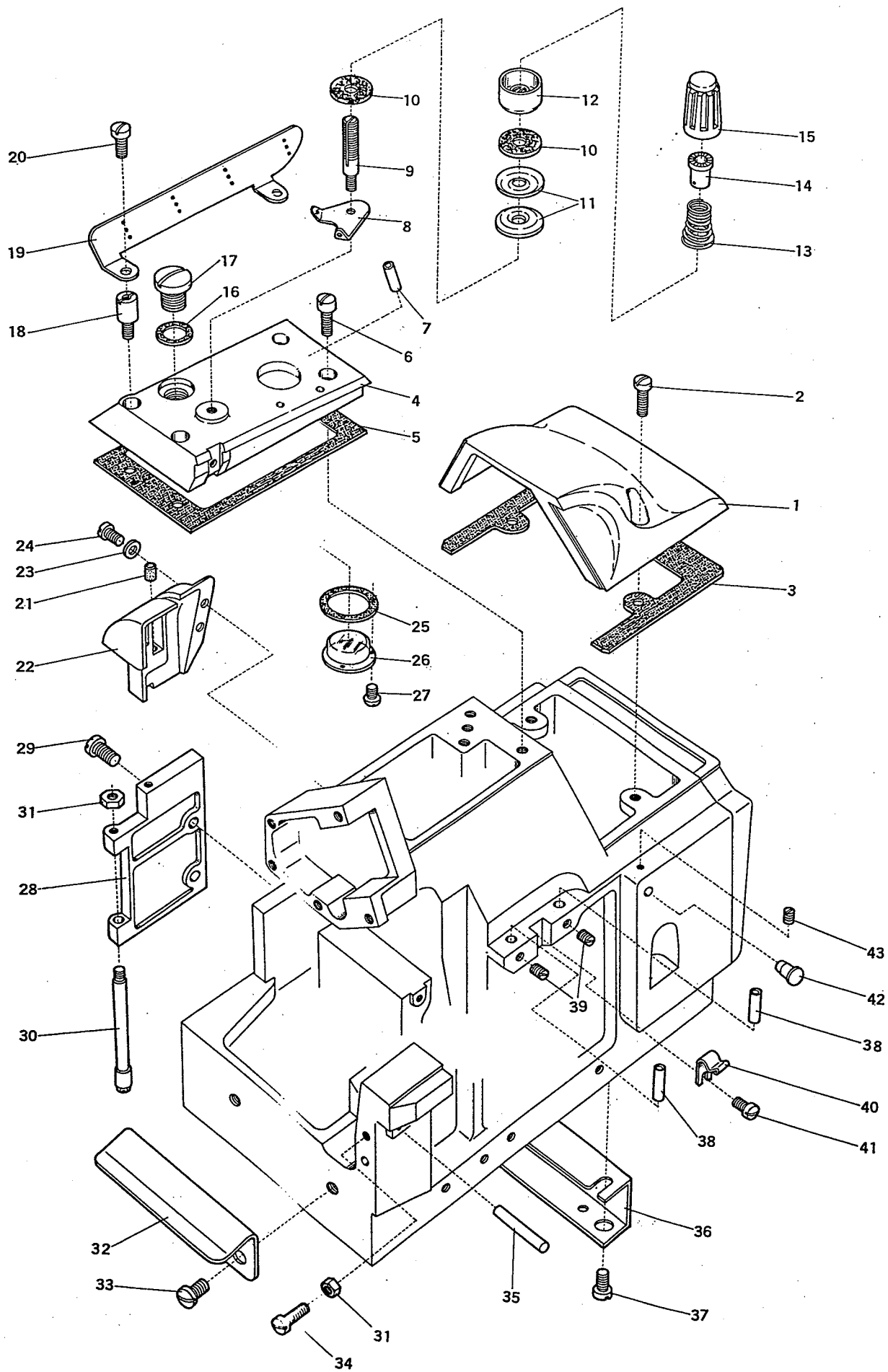
Please always mention our parts number when placing your orders.

1



# MISCELLANEOUS COVER(1)

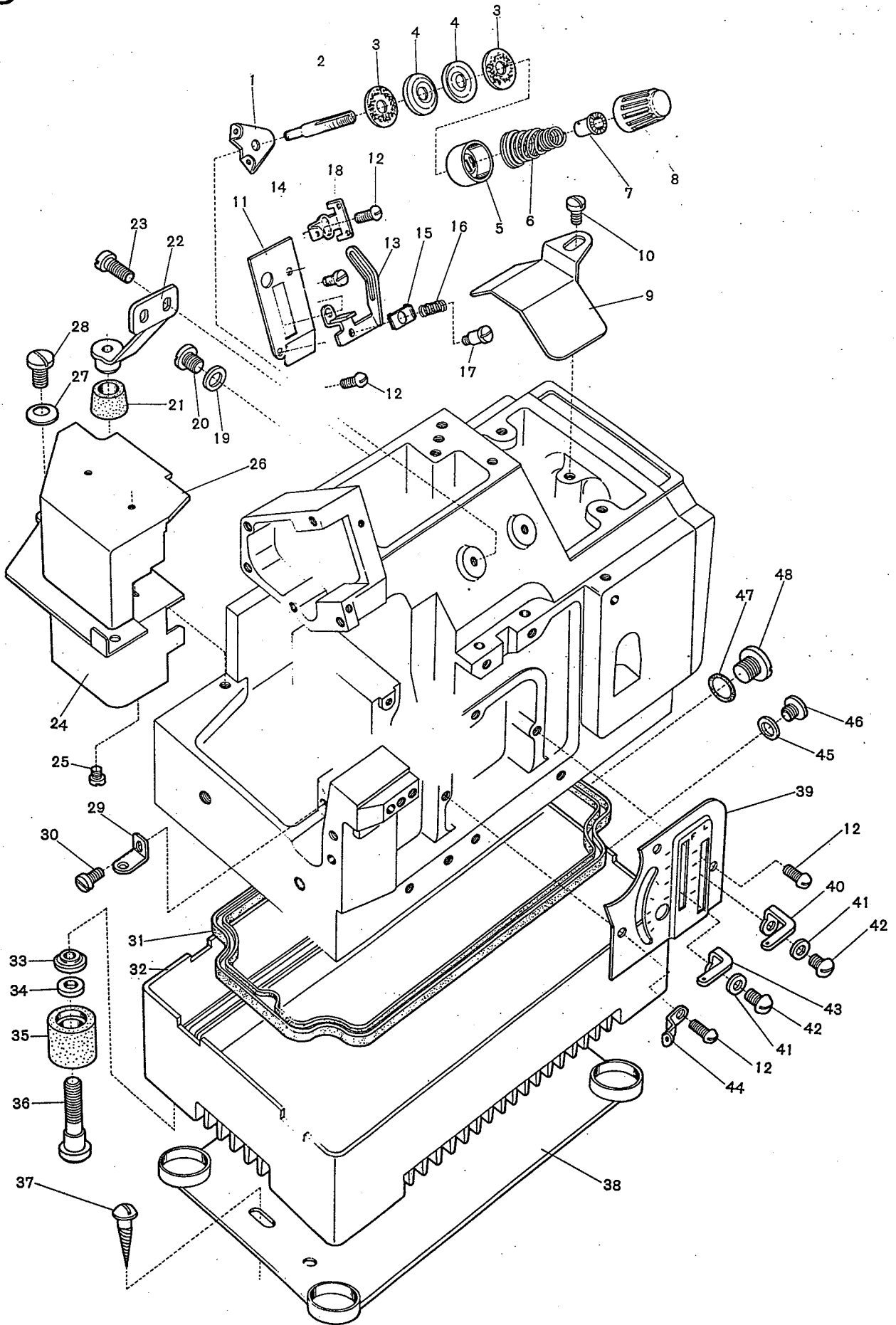
| <u>Ref.No.</u> | <u>Parts.No.</u> | <u>Description</u>               | <u>Amt. Req.</u> | <u>Remarks</u> |
|----------------|------------------|----------------------------------|------------------|----------------|
| 1              | Y32617           | Side Cover                       | 1                |                |
| 2              | Y 9150           | Screws for Y32617                | 5                |                |
| 3              | Y32618           | Side Cover Gasket                | 1                |                |
| 4              | Y32619           | Needle Thread Cover              | 1                |                |
| 5              | Y32620           | Needle Thread Cover Latch Spring | 1                |                |
| 6              | Y 7302           | Screws for Y32620                | 2                |                |
| 7              | Y32622           | Needle Thread Cover Pin          | 1                |                |
| 8              | Y32623           | Fabric Guard                     | 1                |                |
| 9              | Y 4353           | Screws for Y32623                | 2                |                |
| 10             | Y32602           | Cloth Plate (Upper)              | 1                |                |
| 11             | Y 7605           | Screws for Y32602                | 4                |                |
| 12             | Y32603           | Cloth Plate (Lower)              | 1                |                |
| 15             | Y32604           | Cloth Plate Rubber Cushion       | 1                |                |
| 16             | Y30126           | Cloth Plate Latch                | 1                |                |
| 17             | Y 6040           | Screw for Y30126                 | 1                |                |
| 18             | Y 5095           | Stopper for Y30126               | 1                |                |
| 19             | Y32628           | Cloth Plate Latch Plunger        | 1                |                |
| 20             | Y32629           | Cloth Plate Latch Spring         | 1                |                |
| 21             | Y32640           | Chip Guard Supporter             | 1                |                |
| 22             | Y32610           | Chip Guard (Fix)                 | 1                |                |
| 23             | Y 4440           | Screws for Y32607, Y32640        | 4                |                |
| 24             | Y 1330           | Screw for Y32610                 | 1                |                |
| 25             | Y 1222           | Screw for Y32610                 | 1                |                |
| 26             | Y 1326           | Screw for Y32610                 | 1                |                |
| 27             | Y32611           | Chip Guard (Open)                | 1                |                |
| 28             | Y 5131           | Screws for Y32611                | 2                |                |
| 29             | Y32606           | Front Cover                      | 1                |                |
| 30             | Y32607           | Front Cover Hinge                | 1                |                |
| 31             | Y32608           | Front Cover Hinge Pin            | 1                |                |
| 32             | Y34760           | Belt Cover                       | 1                |                |
| 33             | Y 5089           | Screws for Y32477                | 2                |                |
| 34             | Y32600           | Frame                            | 1                |                |
| 35             | Y 873            | Threading Chart for 600-1        | 1                |                |
| 35-1           | Y 874            | Threading Chart for 600-2, -3    | 1                |                |
| 35-2           | Y 875            | Threading Chart for 600-4        | 1                |                |



MISCELLANEOUS COVER(2)

2

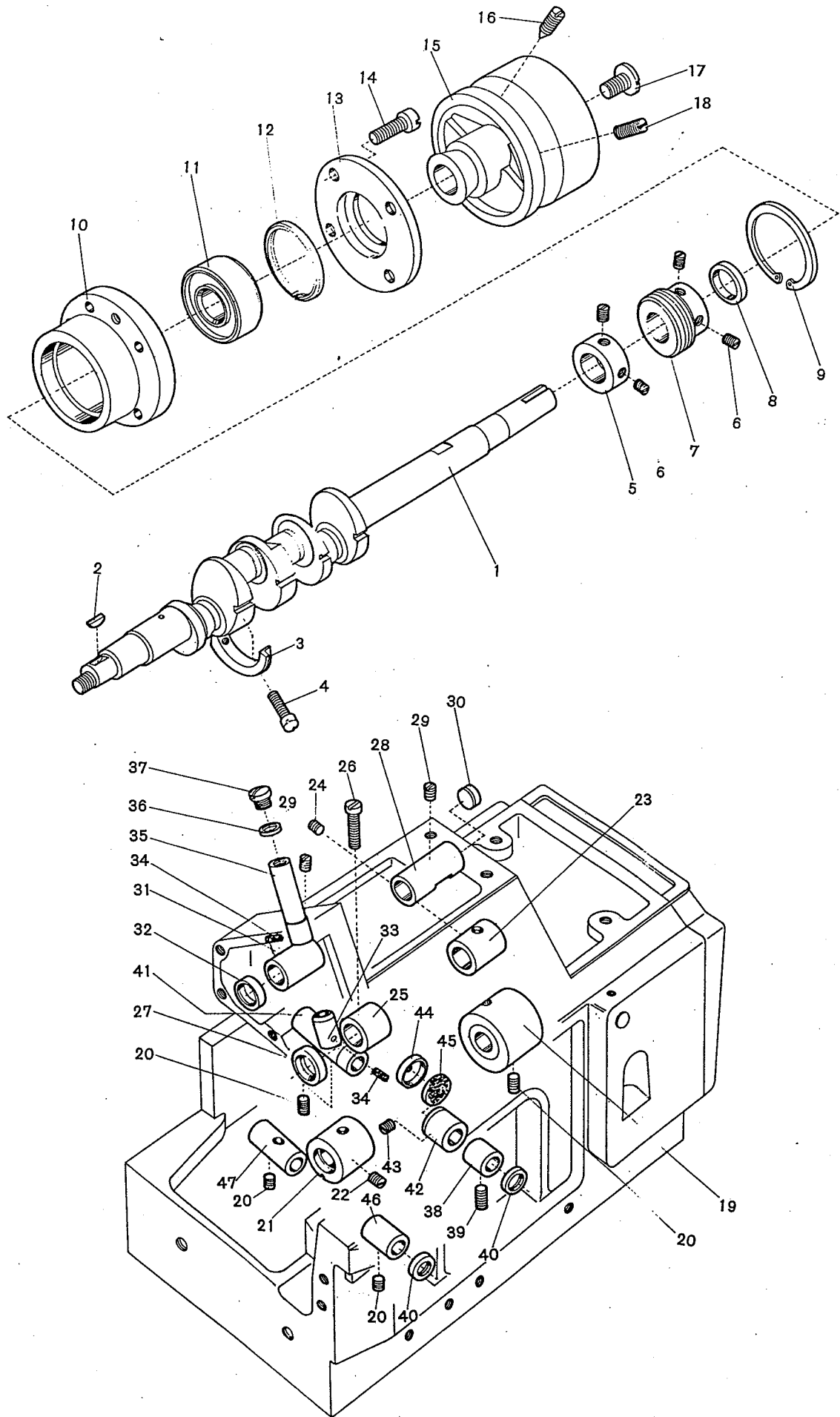
| <u>Ref.No.</u> | <u>Parts.No.</u> | <u>Description</u>                     | <u>Amt. Req.</u> | <u>Remarks</u> |
|----------------|------------------|--|------------------|----------------|
| 1              | Y34762           | Top Cover (Right)                      | 1                |                |
| 2              | Y 9150           | Screws for Y34762                      | 2                |                |
| 3              | Y32597           | Top Cover (Right) Gasket               | 1                |                |
| 4              | Y34761           | Top Cover (Left)                       | 1                |                |
| 5              | Y32615           | Top Cover (Left) Gasket                | 1                |                |
| 6              | Y 9150           | Screws for Y32615                      | 2                |                |
| 7              | Y32577           | Looper Thread Tubes (Upper)            | 2                |                |
| 8              | Y32962           | Tension Disc Eyelet                    | 1                |                |
| 9              | Y 6544           | Needle Thread Tension Post             | 1                |                |
| 10             | Y 286            | Felts for Y01111                       | 2                |                |
| 11             | Y01111           | Tension Discs                          | 2                |                |
| 12             | Y37635           | Thread Tension Spring Retainer         | 1                |                |
| 13             | Y32971           | Needle Thread Tension Spring           | 1                |                |
| 14             | Y30254           | Tension Spring Bushing                 | 1                |                |
| 15             | Y32965           | Thread Tension Spring Cap              | 1                |                |
| 16             | Y 610            | Seal for Y5075                         | 1                |                |
| 17             | Y 5077           | Oil Hole Screw                         | 1                |                |
| 18             | Y 5492           | Screws for Y34761                      | 1                |                |
| 19             | Y34764           | Thread Lead                            | 1                |                |
| 20             | Y 4351           | Screws for Y34764                      | 2                |                |
| 21             | Y32365           | Presser Foot Release Lever Cushion     | 1                |                |
| 22             | Y32624           | Foot Lifter Hinge Cover                | 1                |                |
| 23             | Y 550            | Washers for Y32624                     | 2                |                |
| 24             | Y 4440           | Screws for Y32624                      | 2                |                |
| 25             | Y32924           | Oil Sight Top Window Seal              | 1                |                |
| 26             | Y32930           | Oil Sight Top Window                   | 1                |                |
| 27             | Y 1333           | Screws for Y32930                      | 3                |                |
| 287            | Y32605           | Cloth Plate Hinge                      | 1                |                |
| 29             | Y 5089           | Screws for Y32605                      | 2                |                |
| 30             | Y32586           | Cloth Plate Hinge Pin                  | 1                |                |
| 31             | Y 334            | Nuts for Y1156, Y32586                 | 2                |                |
| 32             | Y32599           | Frame Hanger                           | 1                |                |
| 33             | Y 7678           | Screws for Y32599                      | 2                |                |
| 34             | Y 1156           | Stopper Screw for Cloth Plate          | 1                |                |
| 35             | Y 698            | Cloth Plate Latch Pin                  | 1                |                |
| 36             | Y32484           | Under Pump Oil Filter Screen Supporter | 1                |                |
| 37             | Y 4440           | Screws for Y32484                      | 2                |                |
| 38             | Y32963           | Looper Thread Tubes (Lower)            | 2                |                |
| 39             | Y 1459           | Screws for Y32963                      | 2                |                |
| 40             | Y32609           | Front Cover Latch Spring               | 1                |                |
| 41             | Y 4358           | Screw for Y32609                       | 1                |                |
| 42             | Y32612           | Front Seal Plug                        | 1                |                |
| 43             | Y 3434           | Screw for Y32614                       | 1                |                |





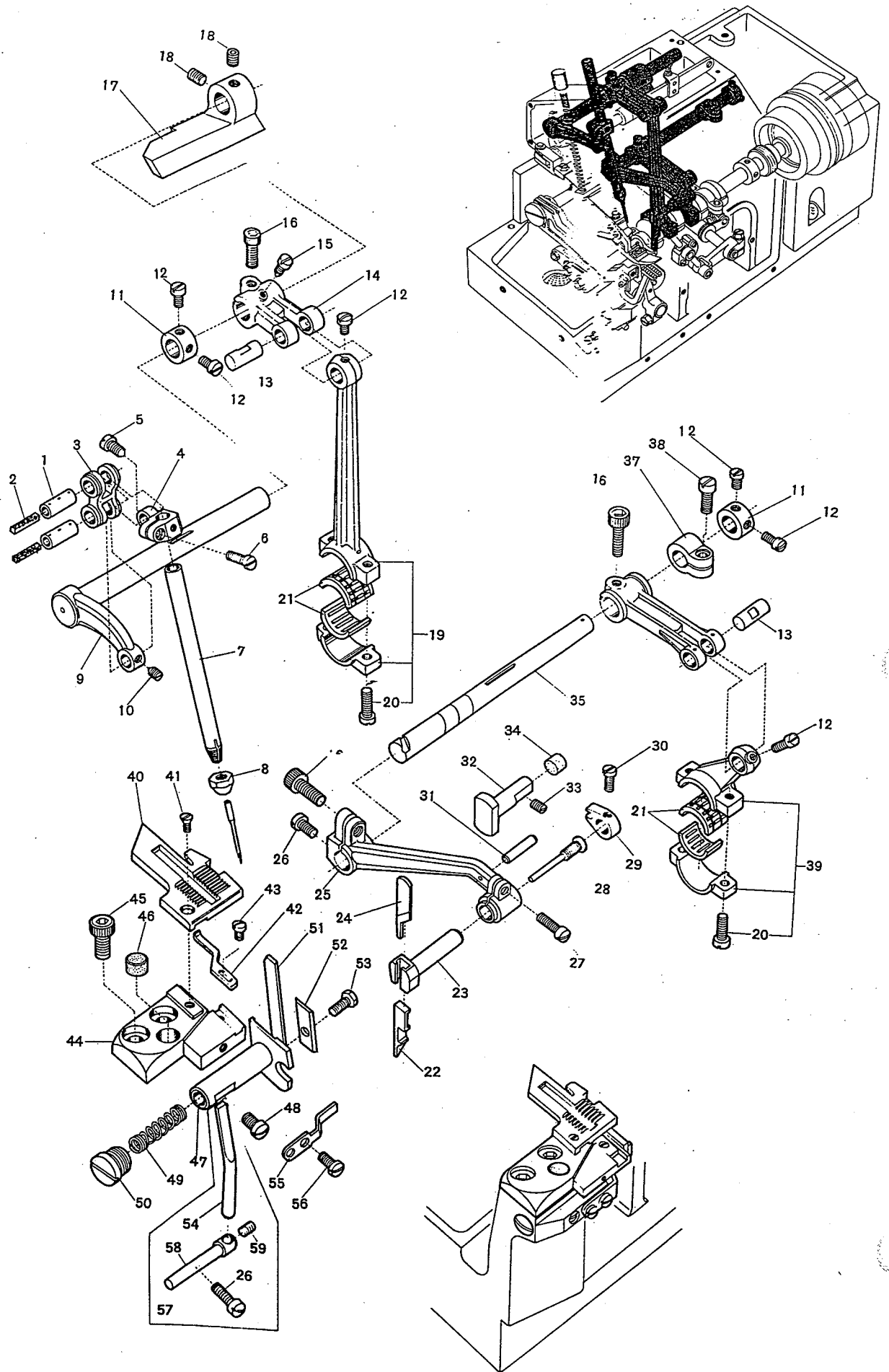
# THREAD EYELET AND BASE

| <u>Ref.No.</u> | <u>Parts.No.</u> | <u>Description</u>                 | <u>Amt. Req.</u> | <u>Remarks</u> |
|----------------|------------------|------------------------------------|------------------|----------------|
| 1              | Y32962           | Tension Disc Eyelet for Looper     | 2                |                |
| 2              | Y 6542           | Looper Thread Tension Posts        | 2                |                |
| 3              | Y 286            | Felts for Y01111                   | 4                |                |
| 4              | Y01111           | Tension Discs                      | 4                |                |
| 5              | Y37635           | Thread Tension Spring Retainers    | 2                |                |
| 6              | Y32952           | Looper Thread Tension Springs      | 2                |                |
| 7              | Y30254           | Tension Spring Bushings            | 2                |                |
| 8              | Y32965           | Thread Tension Spring Caps         | 2                |                |
| 9              | Y32663           | Worm Cover                         | 1                |                |
| 10             | Y 4438           | Screw for Y32663                   | 1                |                |
| 11             | Y32627           | Needle Bar Connecting Link Cover   | 1                |                |
| 12             | Y 1326           | Screws for Y32424, Y32627, Y34010  | 5                |                |
| 13             | Y32423           | Needle Bar Thread Retainer Bracket | 1                |                |
| 14             | Y 7006           | Screw for Y32423                   | 1                |                |
| 15             | Y32425           | Needle Bar Thread Retainer Plate   | 1                |                |
| 16             | Y32426           | Needle Bar Thread Retainer Spring  | 1                |                |
| 17             | Y 1092           | Screw for Y32425                   | 1                |                |
| 18             | Y32424           | Needle Thread Eyelet               | 1                |                |
| 19             | Y 567            | Seal for Y5062                     | 1                |                |
| 20             | Y 5062           | Oil Hole Screw                     | 1                |                |
| 21             | Y32976           | Stay Rubber Cushion                | 1                |                |
| 22             | Y32977           | Frame Stay                         | 1                |                |
| 23             | Y 9150           | Screws for Y32977                  | 2                |                |
| 24             | Y32475           | Feed Mechanism Oil Shield          | 1                |                |
| 25             | Y 1228           | Screws for Y32475                  | 2                |                |
| 26             | Y32625           | Feed Mechanism Cover               | 1                |                |
| 27             | Y 10             | Washer for Hinge Screw             | 1                |                |
| 28             | Y 6004           | Hinge Screw for Y32625             | 1                |                |
| 29             | Y32626           | Feed Mechanism Cover Latch Spring  | 1                |                |
| 30             | Y 4351           | Screw for Y32626                   | 1                |                |
| 31             | Y32975           | Base Gasket                        | 1                |                |
| 32             | Y32973           | Base                               | 1                |                |
| 33             | Y32375           | Base Oil Seals                     | 4                |                |
| 34             | Y 563            | Washers for Y32973                 | 4                |                |
| 35             | Y32377           | Base Rubber Cushions               | 4                |                |
| 36             | Y 6262           | Screws for Y32973                  | 4                |                |
| 37             | Y 6910           | Wood Screws                        | 4                |                |
| 38             | Y32660           | Rubber Cushion Holder Plate        | 1                |                |
| 39             | Y34010           | Looper Thread Eyelet Supporter     | 1                |                |
| 40             | Y32955           | Looper Thread Eyelet (Right)       | 1                |                |
| 41             | Y 532            | Washers for Y32955, Y32358         | 2                |                |
| 42             | Y 1330           | Screws for Y32955, Y32358          | 2                |                |
| 43             | Y32358           | Looper Thread Eyelet (Left)        | 1                |                |
| 44             | Y32960           | Lower Looper Thread Eyelet         | 1                |                |
| 45             | Y 567            | Drain Hole Seal for Outer          | 1                |                |
| 46             | Y 9852           | Drain Hole Screw for Outer         | 1                |                |
| 47             | Y32421           | Drain Hole Seal for Inner          | 1                |                |
| 48             | Y 5075           | Drain Hole Screw for Inner         | 1                |                |



# MISCELLANEOUS BUSHING AND CRANK SHAFT

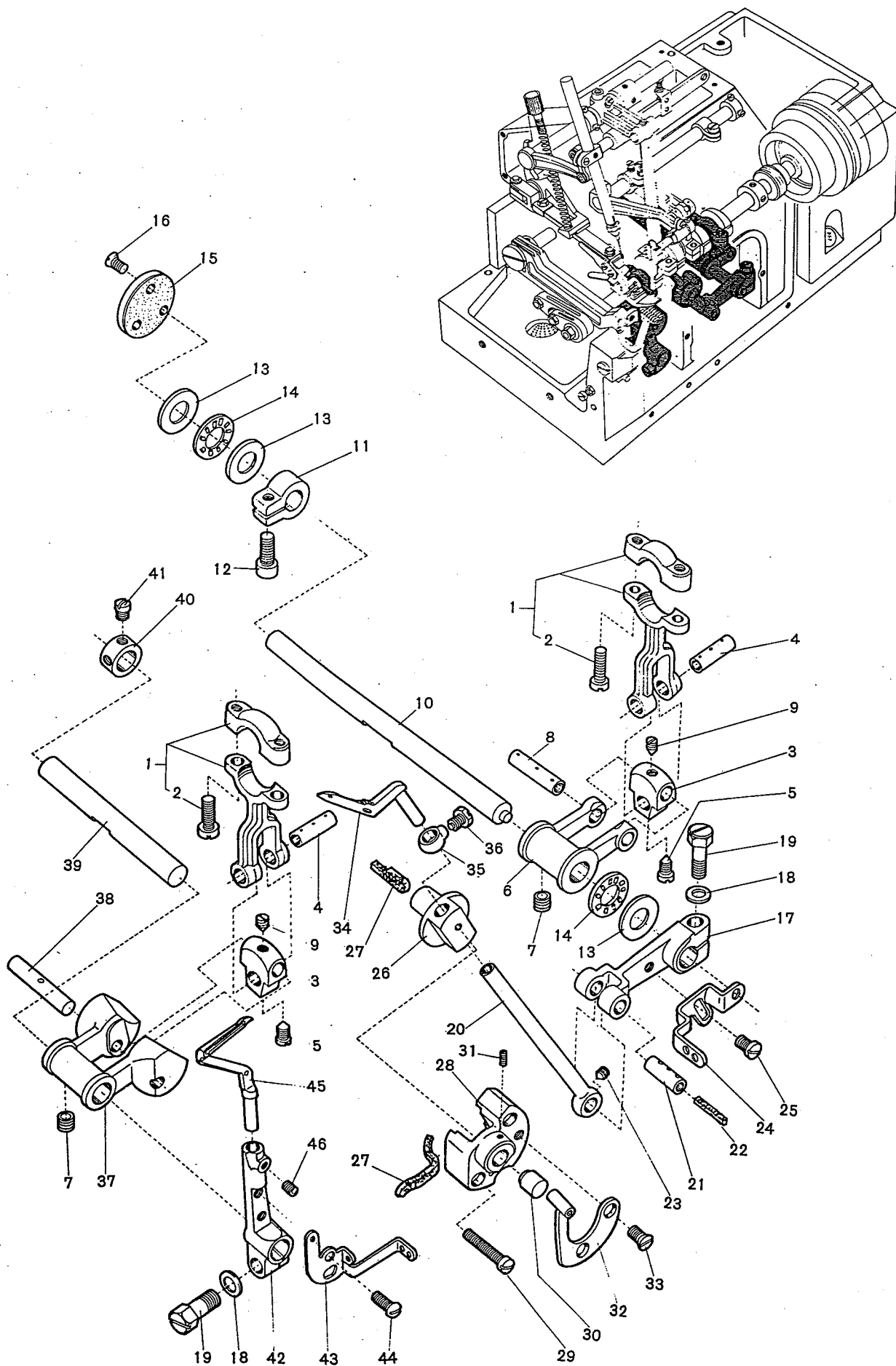
| <u>Ref.No.</u> | <u>Parts.No.</u> | <u>Description</u>                              | <u>Amt. Req.</u> | <u>Remarks</u> |
|----------------|------------------|---|------------------|----------------|
| 1              | Y32774           | Crank Shaft                                     | 1                |                |
| 2              | Y32780           | Feed Driving Eccentric Key                      | 1                |                |
| 3              | Y32773           | Crank Shaft Counterweight (Middle)              | 1                |                |
| 4              | Y 7609           | Screws for Y32773                               | 2                |                |
| 5              | Y32820           | Crank Shaft Thrust Collar                       | 1                |                |
| 6              | Y 7650           | Screws for Y32820, Y32925                       | 4                |                |
| 7              | Y32925           | Oil Pump Driving Worm                           | 1                |                |
| 8              | Y32779           | Crank Shaft Ball Bearing Retaining Washer       | 1                |                |
| 9              | Y32778           | Crank Shaft Ball Bearing Retaining Ring (Inner) | 1                |                |
| 10             | Y32775           | Crank Shaft Ball Bearing Housing                | 1                |                |
| 11             | Y32777           | Crank Shaft Ball Bearing                        | 1                |                |
| 12             | Y32818           | Crank Shaft Ball Bearing Retaining Ring (Outer) | 1                |                |
| 13             | Y32817           | Crank Shaft Ball Bearing Housing Cap            | 1                |                |
| 14             | Y 4441           | Screws for Y32817                               | 4                |                |
| 15             | Y32772           | Pulley  | 1                |                |
| 16             | Y 3591           | Main Screw for Y32772                           | 1                |                |
| 17             | Y 4402           | Cap Screw for Y32772                            | 1                |                |
| 18             | Y 9203           | Sub Screw for Y32772                            | 1                |                |
| 19             | Y32781           | Crank Shaft Bushing (Inner)                     | 1                |                |
| 20             | Y 9209           | Screws for Y32781, Y32793, Y32794, Y32795       | 4                |                |
| 21             | Y32782           | Crank Shaft Bushing (Left)                      | 1                |                |
| 22             | Y 3595           | Screw for Y32782                                | 1                |                |
| 23             | Y32904           | Upper Knife Driving Shaft Bushing (Right)       | 1                |                |
| 24             | Y 3654           | Screw for Y32904                                | 1                |                |
| 25             | Y32905           | Upper Knife Driving Shaft Bushing (Left)        | 1                |                |
| 26             | Y 2133           | Screw for Y32905                                | 1                |                |
| 27             | Y32906           | Upper Knife Driving Shaft Oil Seal              | 1                |                |
| 28             | Y32648           | Needle Bar Driving Crank Bushing (Right)        | 1                |                |
| 29             | Y 1457           | Screws for Y32647, Y32648                       | 2                |                |
| 30             | Y32650           | Needle Bar Driving Crank Bushing Plug           | 1                |                |
| 31             | Y32647           | Needle Bar Driving Crank Bushing (Left)         | 1                |                |
| 32             | Y32684           | Needle Bar Driving Crank Oil Seal               | 1                |                |
| 33             | Y32653           | Needle Bar Bushing (Lower)                      | 1                |                |
| 34             | Y 304            | Oil Wicks for Y32652, Y32653                    | 2                |                |
| 35             | Y32652           | Needle Bar Bushing (Upper)                      | 1                |                |
| 36             | Y 526            | Seal for Y32652                                 | 1                |                |
| 37             | Y 3636           | Cap Screw for Y32652                            | 1                |                |
| 38             | Y34518           | Upper Looper Driving Shaft Bushing (Front)      | 1                |                |
| 39             | Y 1435           | Screw for Y34518                                | 1                |                |
| 40             | Y30291           | Looper Shaft Oil Seals                          | 2                |                |
| 41             | Y32793           | Upper Looper Driving Shaft Bushing (Rear)       | 1                |                |
| 42             | Y32349           | Upper Looper Bar Guide Bushing                  | 1                |                |
| 43             | Y 1448           | Screw for Y32802                                | 1                |                |
| 44             | Y32350           | Upper Looper Bar Guide Bushing Cap              | 1                |                |
| 45             | Y 527            | Oil Felt for Y32868                             | 1                |                |
| 46             | Y32794           | Lower Looper Driving Shaft Bushing (Front)      | 1                |                |
| 47             | Y32795           | Lower Looper Driving Shaft Bushing (Rear)       | 1                |                |



NEEDLE BAR AND KNIFE DRIVING MECHANISM

5

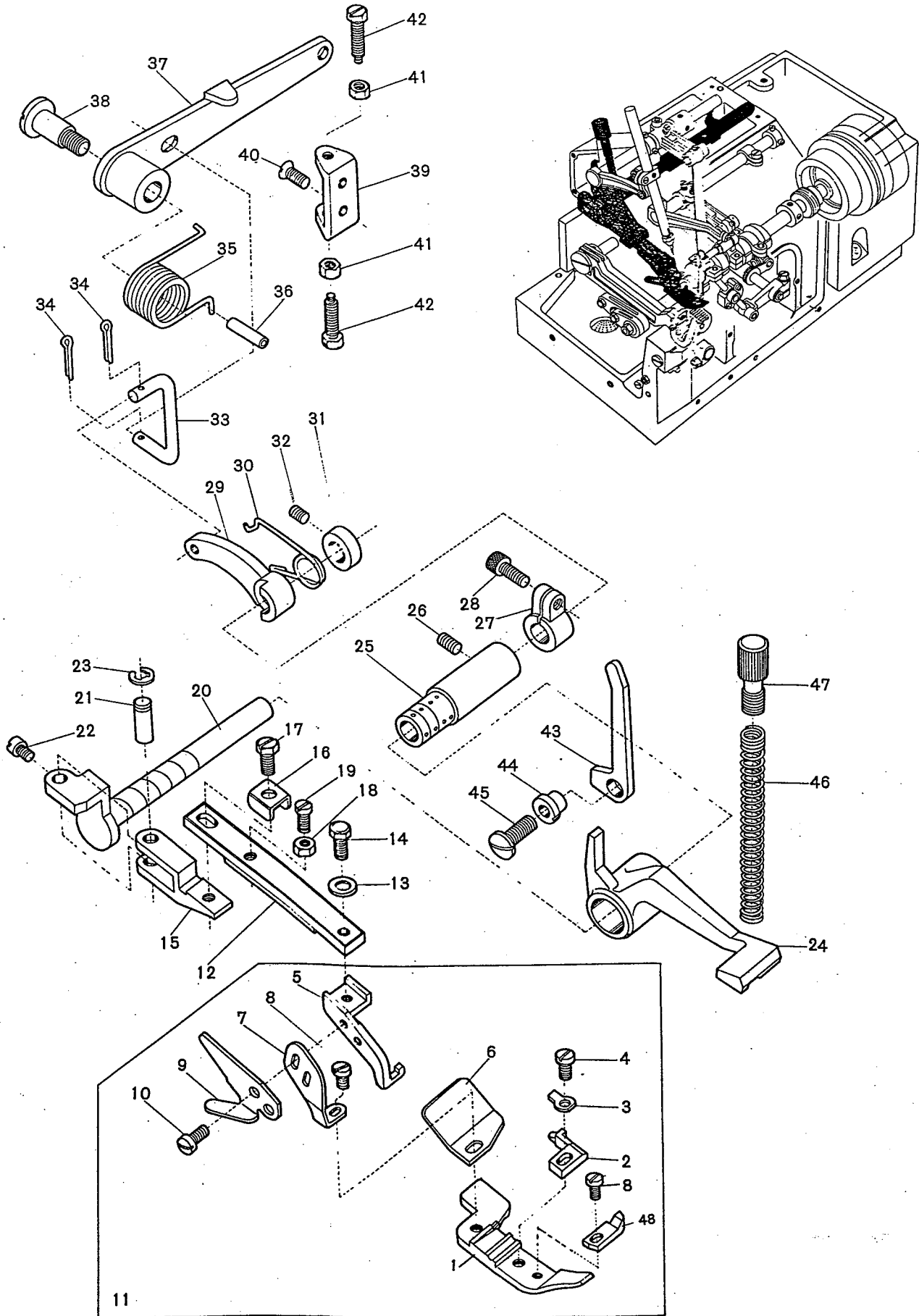
| <u>Ref.No.</u> | <u>Parts.No.</u> | <u>Description</u>                      | <u>Amt.Req.</u> | <u>Remarks</u> |
|----------------|------------------|---|-----------------|----------------|
| 1              | Y90320           | Needle Bar Connection Link Pins         | 2               |                |
| 2              | Y 282            | Gil Wicks for Y90320                    | 2               |                |
| 3              | Y90321           | Needle Bar Connection Link              | 1               |                |
| 4              | Y32651           | Needle Bar Connecting Bracket           | 1               |                |
| 5              | Y 4313           | Screw for Y90320 (Y32651)               | 1               |                |
| 6              | Y 4435           | Screw for Y32651                        | 1               |                |
| 7              | Y37122           | Needle Bar for Single Needle            | 1               |                |
| 8              | Y 62             | Needle Clamping Nut                     | 1               |                |
| 9              | Y32645           | Needle Bar Driving Crank                | 1               |                |
| 10             | Y 3311           | Screw for Y90320 (Y32645)               | 1               |                |
| 11             | Y32646           | Needle Bar Driving Crank Collars        | 2               |                |
| 12             | Y 9604           | Screws for Y32646, Y32921, Y32900       | 6               |                |
| 13             | Y32921           | Connecting Rod Pin                      | 2               |                |
| 14             | Y32644           | Needle Bar Driving Lever                | 1               |                |
| 15             | Y 9517           | Two Screws for Y32644                   | 1               |                |
| 16             | Y 5520           | Main Screws for Y32644, Y32902, Y32910  | 3               |                |
| 17             | Y32662           | Needle Bar Driving Crank Counterweight  | 1               |                |
| 18             | Y 3635           | Screw for Y32662                        | 2               |                |
| 19             | Y32670           | Needle Bar Connecting Rod               | 1               |                |
| 20             | Y 5071           | Screws for Y32670, Y32900               | 4               |                |
| 21             | Y32819           | Connecting Rod Roller Bearings          | 2               |                |
| 22             | Y32913           | Upper Knife Clamp                       | 1               |                |
| 23             | Y32911           | Upper Knife Holder                      | 1               |                |
| 24             | Y32914           | Upper Knife                             | 1               |                |
| 25             | Y32910           | Upper Knife Driving Arm                 | 1               |                |
| 26             | Y 4437           | Screws for Y32910, Y33870               | 3               |                |
| 27             | Y 1174           | Screw for Y32911 (32910)                | 1               |                |
| 28             | Y 5508           | Screw for Y32914                        | 1               |                |
| 29             | Y32912           | Upper Knife Holder Guide                | 1               |                |
| 30             | Y 7616           | Screw for Y32912                        | 1               |                |
| 31             | Y 723            | Guide Pin for Y32912                    | 1               |                |
| 32             | Y32909           | Upper Knife Driving Arm Guide           | 1               |                |
| 33             | Y 3434           | Screw for Y32909                        | 1               |                |
| 34             | Y32519           | Upper Knife Driving Arm Guide Plug      | 1               |                |
| 35             | Y32903           | Upper Knife Driving Shaft               | 1               |                |
| 36             | Y32902           | Upper Knife Driving Lever               | 1               |                |
| 37             | Y32920           | Upper Knife Driving Shaft Collar (Left) | 1               |                |
| 38             | Y 7311           | Screw for Y32920                        | 1               |                |
| 39             | Y32900           | Upper Knife Driving Connecting Rod      | 1               |                |
| 40             | Y32667           | Throat Plate #2                         | 1               |                |
| 41             | Y 5401           | Screw for Throat Plate                  | 1               |                |
| 42             | Y32655           | Needle Guard (Front)                    | 1               |                |
| 43             | Y 4404           | Screw for Y32655                        | 1               |                |
| 44             | Y32601           | Throat Plate Supporter                  | 1               |                |
| 45             | Y 6662           | Screws for Y32601                       | 2               |                |
| 46             | Y32604           | Cloth Plate Rubber Cushion              | 1               |                |
| 47             | Y32916           | Lower Knife Holder                      | 1               |                |
| 48             | Y 4591           | Screw for Y32916                        | 1               |                |
| 49             | Y32919           | Lower Knife Holder Spring               | 1               |                |
| 50             | Y 5074           | Screw for Y32919                        | 1               |                |
| 51             | Y30421           | Lower Knife                             | 1               |                |
| 52             | Y32917           | Lower Knife Clamp                       | 1               |                |
| 53             | Y 7605           | Screw for Y32917                        | 1               |                |
| 54             | Y33871           | Needle Guard (Rear)                     | 1               |                |
| 55             | Y32899           | Lower Knife Holder Locking Plate        | 1               |                |
| 56             | Y 4440           | Screws for Y32899                       | 2               |                |
| 57             | Y33873           | Needle Guard Complete Set (Rear)        | 1               |                |
| 58             | Y33870           | Needle Guard Holder                     | 1               |                |
| 59             | Y 3638           | Screw for Y33871                        | 1               |                |



# LOOPER DRIVING MECHANISM

6

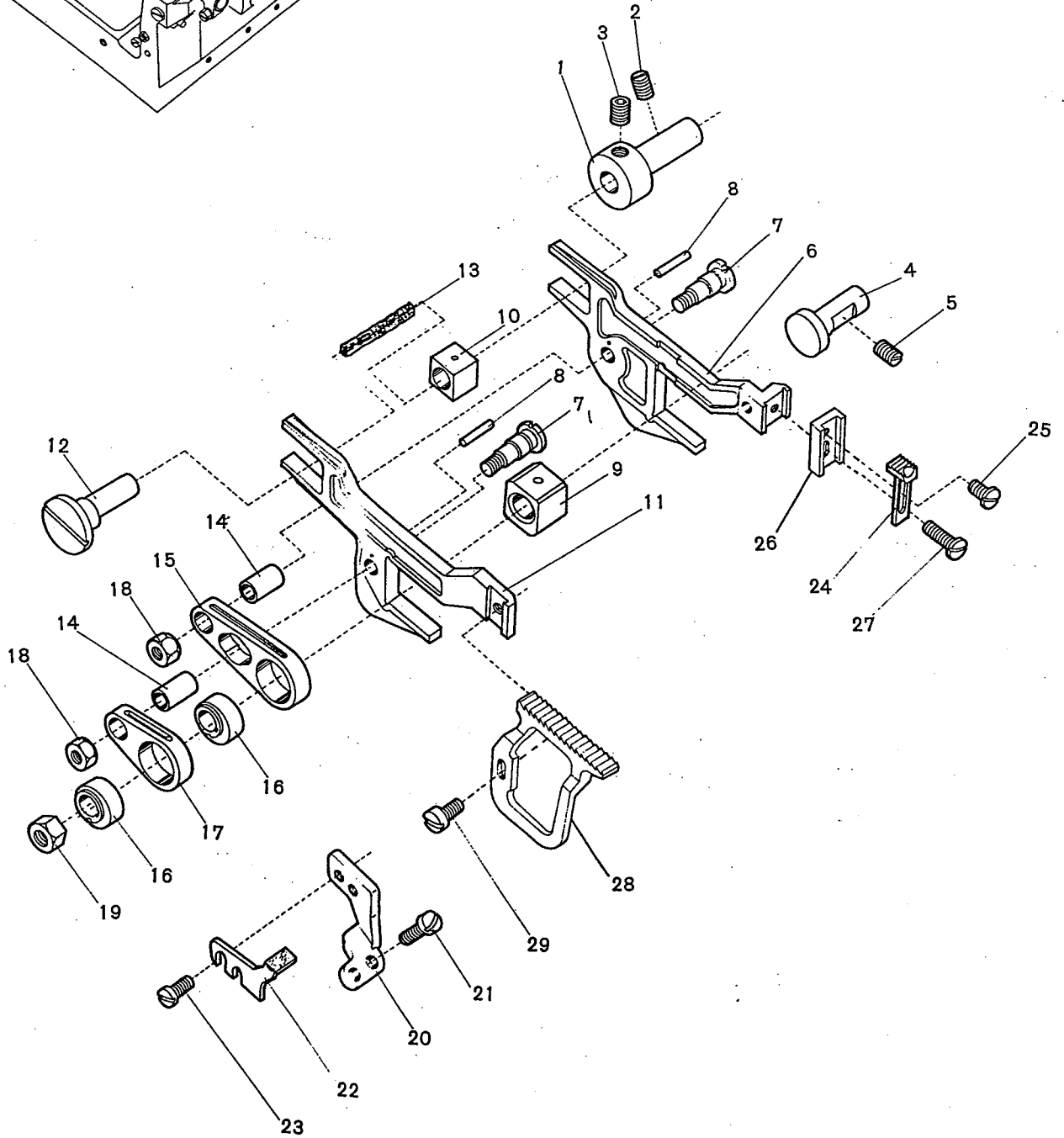
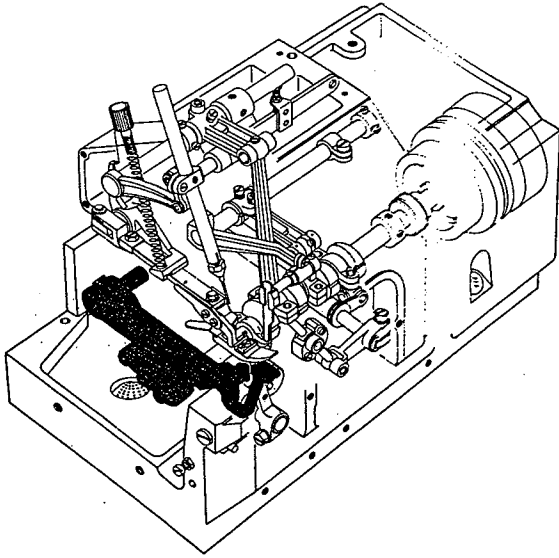
| <u>Ref.No.</u> | <u>Parts.No.</u> | <u>Description</u>                        | <u>Amt. Req.</u> | <u>Remarks</u> |
|----------------|------------------|---|------------------|----------------|
| 1              | Y32783           | Looper Driving Lever Connecting Rods      | 2                |                |
| 2              | Y 5071           | Screws for Y32783                         | 4                |                |
| 3              | Y32785           | Looper Driving Lever Links                | 2                |                |
| 4              | Y32784           | Looper Driving Lever Link Pins (Short)    | 2                |                |
| 5              | Y 9506           | Screws for Y32784                         | 2                |                |
| 6              | Y32787           | Upper Looper Driving Lever                | 1                |                |
| 7              | Y 3635           | Screws for Y32787, Y32815                 | 4                |                |
| 8              | Y32786           | Looper Driving Lever Link Pin (Long)      | 1                |                |
| 9              | Y 3404           | Screws for Y32786, Y32816                 | 2                |                |
| 10             | Y34517           | Upper Looper Driving Shaft                | 1                |                |
| 11             | Y32792           | Upper Looper Driving Shaft Collar         | 1                |                |
| 12             | Y 5550           | Screw for Y32792                          | 1                |                |
| 13             | Y32848           | Upper Looper Driving Shaft Thrust Washers | 3                |                |
| 14             | Y32849           | Upper Looper Driving Shaft Thrust Rollers | 2                |                |
| 15             | Y33013           | Upper Looper Driving Shaft End Cap        | 1                |                |
| 16             | Y 5345           | Screws for Y33013                         | 3                |                |
| 17             | Y34104           | Upper Looper Bar Driving Arm              | 1                |                |
| 18             | Y 520            | Washers for Y34104, Y32789                | 2                |                |
| 19             | Y 5500           | Screws for Y34104, Y32789                 | 2                |                |
| 20             | Y32800           | Upper Looper Bar                          | 1                |                |
| 21             | Y32799           | Upper Looper Bar Driving Arm Pin          | 1                |                |
| 22             | Y 282            | Oil Wick for Y32799                       | 1                |                |
| 23             | Y 3311           | Screw for Y32799                          | 1                |                |
| 24             | Y34224           | Looper Thread Pull-Off (Right)            | 1                |                |
| 25             | Y 4358           | Screw for Y34224                          | 1                |                |
| 26             | Y32347           | Upper Looper Bar Guide                    | 1                |                |
| 27             | Y 304            | Oil Wicks for Y32347, Y32800              | 2                |                |
| 28             | Y34516           | Upper Looper Bar Guide Retainer           | 1                |                |
| 29             | Y 5004           | Screws for Y34516                         | 2                |                |
| 30             | Y32348           | Upper Looper Bar Guide Thrust Pin         | 1                |                |
| 31             | Y 7650           | Screw for Y32348                          | 1                |                |
| 32             | Y34226           | Upper Looper Thread Guide                 | 1                |                |
| 33             | Y 9142           | Screws for Y34226                         | 2                |                |
| 34             | Y32807           | Upper Looper                              | 1                |                |
| 35             | Y32803           | Upper Looper Holder Collar                | 1                |                |
| 36             | Y 5507           | Screw for Y32803                          | 1                |                |
| 37             | Y32815           | Lower Looper Driving Lever                | 1                |                |
| 38             | Y32816           | Lower Looper Driving Lever Pin            | 1                |                |
| 39             | Y32788           | Lower Looper Driving Shaft                | 1                |                |
| 40             | Y30228           | Lower Looper Shaft Collar                 | 1                |                |
| 41             | Y 9604           | Screws for Y30228                         | 2                |                |
| 42             | Y32789           | Lower Looper Holder Arm                   | 1                |                |
| 43             | Y32959           | Looper Thread Pull-Off (Left)             | 1                |                |
| 44             | Y 1326           | Screws for Y32959                         | 2                |                |
| 45             | Y32790           | Lower Looper                              | 1                |                |
| 46             | Y 3638           | Screw for Y32790                          | 1                |                |





# PRESSER FOOT MECHANISM

| <u>Ref.No.</u> | <u>Parts.No.</u> | <u>Description</u>                   | <u>Amt. Req.</u> | <u>Remarks</u> |
|----------------|------------------|--------------------------------------|------------------|----------------|
| 1              | Y32736           | Presser Foot                         | 1                |                |
| 2              | Y32744           | Presser Foot Stitch Tongue #1        | 1                |                |
| 2-1            | Y32743           | Presser Foot Stitch Tongue #2, #3    | 1                |                |
| 3              | Y30619           | Presser Foot Hinge Spring            | 1                |                |
| 4              | Y 5036           | Screw for Stitch Tongue              | 1                |                |
| 5              | Y32741           | Presser Foot Holder                  | 1                |                |
| 6              | Y34535           | Presser Foot Chain Shield            | 1                |                |
| 7              | Y 1228           | Screw for Y34535                     | 1                |                |
| 8              | Y 1230           | Screw for Y32745                     | 1                |                |
| 9              | Y32706           | Chain Cutting Knife                  | 1                |                |
| 10             | Y 4404           | Screws for Y32706                    | 2                |                |
| 11             | Y32739           | Presser Foot Complete Set #2         | 1                |                |
| 12             | Y32725           | Foot Carrier                         | 1                |                |
| 13             | Y 538            | Washer for Y5509                     | 1                |                |
| 14             | Y 5509           | Screw for Presser Foot               | 1                |                |
| 15             | Y32724           | Foot Carrier Hinge                   | 1                |                |
| 16             | Y32728           | Foot Carrier Washer                  | 1                |                |
| 17             | Y 5541           | Screw for Y32725                     | 1                |                |
| 18             | Y 335            | Nut for Y4357                        | 1                |                |
| 19             | Y 1170           | Stop Screw for Presser Foot          | 1                |                |
| 20             | Y32722           | Foot Lifter Lever Shaft              | 1                |                |
| 21             | Y32723           | Foot Lifter Hinge Pin                | 1                |                |
| 22             | Y 1186           | Screw for Y32723                     | 1                |                |
| 23             | Y33024           | Foot Lifter Hinge Pin Retaining Ring | 1                |                |
| 24             | Y32721           | Presser Foot Positioning Arm         | 1                |                |
| 25             | Y32720           | Foot Lifter Bushing                  | 1                |                |
| 26             | Y 2022           | Screw for Y32720                     | 1                |                |
| 27             | Y32718           | Foot Lifter Latch Collar             | 1                |                |
| 28             | Y 5550           | Screw for Y32718                     | 1                |                |
| 29             | Y32717           | Intermediate Lever                   | 1                |                |
| 30             | Y32729           | Intermediate Lever Spring            | 1                |                |
| 31             | Y32719           | Foot Lifter Small Collar             | 1                |                |
| 32             | Y 1459           | Screw for Y32719                     | 1                |                |
| 33             | Y32714           | Foot Lifter Lever Connecting Link    | 1                |                |
| 34             | Y32715           | Cotter Pins                          | 2                |                |
| 35             | Y32713           | Foot Lifter Lever Spring             | 1                |                |
| 36             | Y 690            | Latch Pin for Y32713                 | 1                |                |
| 37             | Y32711           | Foot Lifter Lever                    | 1                |                |
| 38             | Y 6000           | Screw for Y32711                     | 1                |                |
| 39             | Y32716           | Foot Lifter Lever Stopper            | 1                |                |
| 40             | Y 9127           | Screws for Y32716                    | 2                |                |
| 41             | Y 334            | Nuts for Y32711                      | 2                |                |
| 42             | Y 5505           | Adjust Screws for Y32711             | 2                |                |
| 43             | Y32727           | Presser Foot Release Lever           | 1                |                |
| 44             | Y32420           | Presser Foot Release Lever Bushing   | 1                |                |
| 45             | Y 4635           | Screw for Y32420                     | 1                |                |
| 46             | Y32726           | Presser Spring                       | 1                |                |
| 47             | Y 6401           | Presser Spring Adjusting Screw       | 1                |                |
| 48             | Y32745           | Presser Foot Chip Guard              | 1                |                |

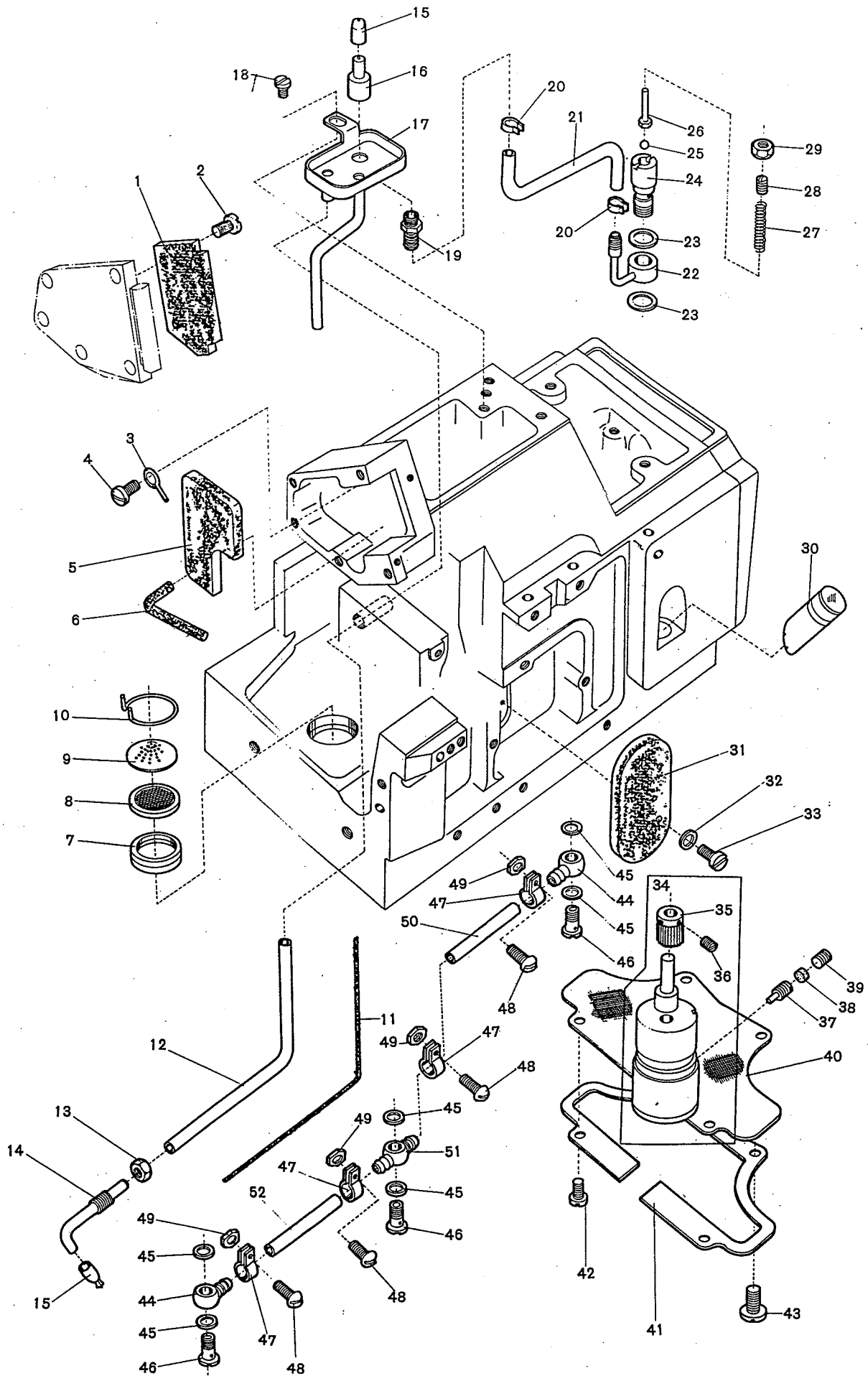


# FEED DRIVING MECHANISM

| <u>Ref.No.</u> | <u>Parts.No.</u> | <u>Description</u>                            | <u>Amt.Req.</u> | <u>Remarks</u> |
|----------------|------------------|---|-----------------|----------------|
| 1              | Y34134           | Feed Bar Guide (Rear)                         | 1               |                |
| 2              | Y 3632           | Screw for Y34134                              | 1               |                |
| 3              | Y 3635           | Screw for Y32866                              | 1               |                |
| 4              | Y32858           | Feed Bar Guide (Right)                        | 1               |                |
| 5              | Y 9200           | Screw for Y32858                              | 1               |                |
| 6              | Y32857           | Main Feed Bar                                 | 1               |                |
| 7              | Y32864           | Feed Bar Driving Studs                        | 2               |                |
| 8              | Y 722            | Cotters for Y32864                            | 2               |                |
| 9              | Y32854           | Feed Lifter Block                             | 1               |                |
| 10             | Y32867           | Feed Bar Guide Block                          | 1               |                |
| 11             | Y32856           | Differential Feed Bar                         | 1               |                |
| 12             | Y32866           | Feed Adjusting Pin                            | 1               |                |
| 13             |                  | Oil Wick for Y32866                           | 1               |                |
| 14             | Y32853           | Feed Bar Driving Connection Bushings          | 2               |                |
| 15             | Y32852           | Main Feed Bar Driving Connection              | 1               |                |
| 16             |                  | Feed Driving Eccentrics (See Below The Table) | 2               |                |
| 17             | Y32851           | Differential Feed Bar Driving Connection      | 1               |                |
| 18             | Y 451            | Nuts for Y32864                               | 2               |                |
| 19             | Y 20             | Nut for Feed Driving Eccentric                | 1               |                |
| 20             | Y32381           | Feed Bar Guide (Left)                         | 1               |                |
| 21             | Y 4440           | Screws for Y32381                             | 2               |                |
| 22             | Y34059           | Throat Plate Stay                             | 1               |                |
| 23             | Y 5000           | Screws for Y34059                             | 2               |                |
| 24             | Y32883           | Chaining Feed Dog                             | 1               |                |
| 25             | Y 9730           | Screw for Chaining Feed Dog                   | 1               |                |
| 26             | Y32873           | Auxiliary Feed Dog Holder                     | 1               |                |
| 27             | Y 7609           | Screw for Main Feed Dog                       | 1               |                |
| 28             | Y32871           | Plain Feed Dog                                | 1               |                |
| 29             | Y 4353           | Screw for Differential Feed Dog               | 1               |                |

## Feed Driving Eccentrics Table

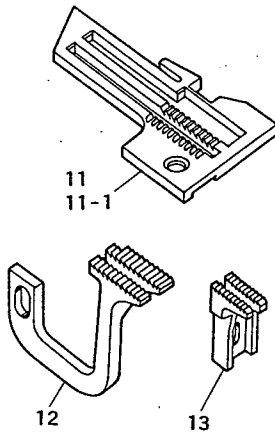
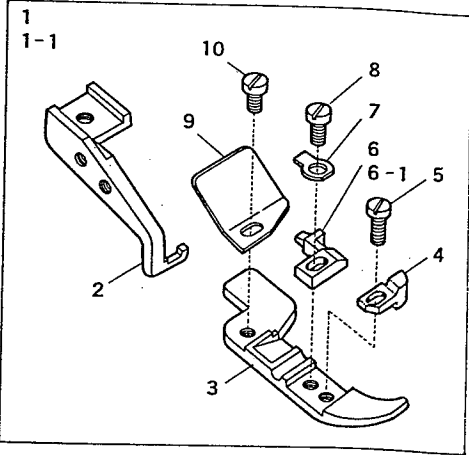
| <u>Parts No.</u> | <u>Stitches Per Inch</u> |
|------------------|--------------------------|
| Y32821           | 5                        |
| Y32822           | 6                        |
| Y32835           | 7                        |
| Y32823           | 8                        |
| Y32824           | 9                        |
| Y32825           | 10                       |
| Y32836           | 11                       |
| Y32826           | 12                       |
| Y32827           | 13                       |
| Y32828           | 14                       |
| Y32837           | 15                       |
| Y32838           | 16                       |
| Y32829           | 17                       |
| Y32839           | 18                       |
| Y32830           | 19                       |
| Y32840           | 20                       |
| Y32841           | 22                       |
| Y32842           | 24                       |
| Y32832           | 26                       |
| Y32843           | 28                       |
| Y32844           | 30                       |
| Y32845           | 40                       |
| Y32833           | 50                       |
| Y32846           | 70                       |
| Y32847           | 100                      |



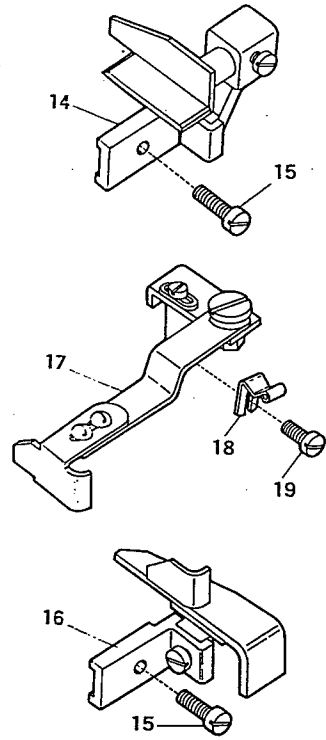
# OIL LUBRICATING SYSTEM

| <u>Ref.No.</u> | <u>Parts.No.</u> | <u>Description</u>                      | <u>Amt. Req.</u> | <u>Remarks</u> |
|----------------|------------------|---|------------------|----------------|
| 1              | Y32685           | Needle Bar Oiling Felt (Left)           | 1                |                |
| 2              | Y 9853           | Screws for Y32685                       | 2                |                |
| 3              | Y32812           | Needle Bar Oiling Felt Retainer         | 1                |                |
| 4              | Y 9604           | Screw for Y32812                        | 1                |                |
| 5              | Y32649           | Needle Bar Oiling Felt (Right)          | 1                |                |
| 6              |                  | Oil Wick for Needle Bar Connection Link | 1                |                |
| 7              | Y32934           | Round Oil Filter Holder Ring            | 1                |                |
| 8              | Y32931           | Round Oil Filter Screen (Fine Mesh)     | 1                |                |
| 9              | Y32933           | Round Oil Filter Screen (Coarse Mesh)   | 1                |                |
| 10             | Y32898           | Round Oil Filter Screen Clamp           | 1                |                |
| 11             |                  | Oil Wick for Feed Driving Eccentric     | 1                |                |
| 12             | Y32483           | Feed Bar Driving Connection Oil Tube    | 1                |                |
| 13             | Y 419            | Nut for Y32480                          | 1                |                |
| 14             | Y32480           | Feed Bar Driving Connection Oil Nozzle  | 1                |                |
| 15             | Y37697           | Oil Nozzle Caps                         | 2                |                |
| 16             | Y32479           | Oil Sight Top Nozzle                    | 1                |                |
| 17             | Y32476           | Oil Receiver                            | 1                |                |
| 18             | Y 9604           | Screw for Y32476                        | 1                |                |
| 19             | Y 9909           | Oil Tube Fitting Nut                    | 1                |                |
| 20             | Y37675           | Oil Tube Clamps (Small)                 | 2                |                |
| 21             | Y32850           | Oil Tube 150                            | 1                |                |
| 22             | Y32376           | Oil Relief Valve Fitting Tube           | 1                |                |
| 23             | Y 509            | Seals for Y32376                        | 2                |                |
| 24             | Y32938           | Oil Relief Valve                        | 1                |                |
| 25             | Y80503           | Oil Relief Ball                         | 1                |                |
| 26             | Y30748           | Oil Relief Valve Spring Guide           | 1                |                |
| 27             | Y30745           | Oil Relief Valve Spring                 | 1                |                |
| 28             | Y 6861           | Adjust Screw for Y30745                 | 1                |                |
| 29             | Y 419            | Nut for Y30745                          | 1                |                |
| 30             | Y32417           | Oil Sight Gauge                         | 1                |                |
| 31             | Y32806           | Upper Looper Bar Oiling Felt            | 1                |                |
| 32             | Y 550            | Washers for Y32806                      | 2                |                |
| 33             | Y 4353           | Screws for Y32806                       | 2                |                |
| 34             | Y32929           | Oil Pump Complete Set                   | 1                |                |
| 35             | Y30711           | Oil Pump Driving Worm Gear              | 1                |                |
| 36             | Y 1459           | Screws for Y30711                       | 2                |                |
| 37             | Y 6330           | Screw for Y32929                        | 1                |                |
| 38             | Y 926            | Seal for Y32929                         | 1                |                |
| 39             | Y 9503           | Screw for Y32929                        | 1                |                |
| 40             | Y32935           | Under Pump Oil Filter Screen            | 1                |                |
| 41             | Y32937           | Under Pump Oil Filter Screen Clamp      | 1                |                |
| 42             | Y 4358           | Screws for Y32937                       | 2                |                |
| 42             | Y 4351           | Screws for Y32937                       | 2                |                |
| 44             | Y37669           | Oil Tube Fittings One Way End           | 2                |                |
| 45             | Y 567            | Seals for Y37668, Y37669                | 6                |                |
| 46             | Y 7668           | Oil Tube Fitting Studs                  | 3                |                |
| 47             | Y32944           | Oil Tube Clamps                         | 4                |                |
| 48             | Y 5133           | Screws for Y32944                       | 4                |                |
| 49             | Y 331            | Nuts for Y32944                         | 4                |                |
| 50             | Y32948           | Oil Tube (47mm)                         | 1                |                |
| 51             | Y37668           | Oil Tube Fitting Two Way End            | 1                |                |
| 52             | Y32949           | Oil Tube (58mm)                         | 1                |                |

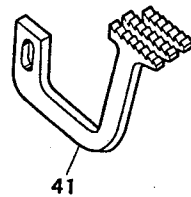
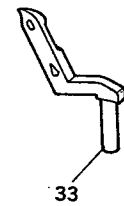
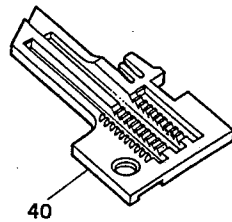
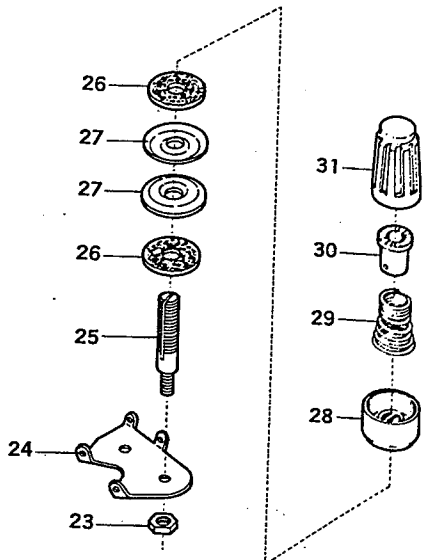
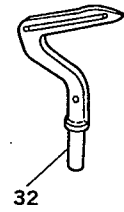
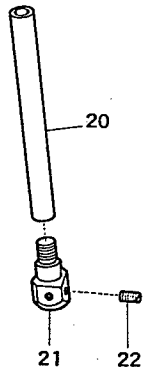
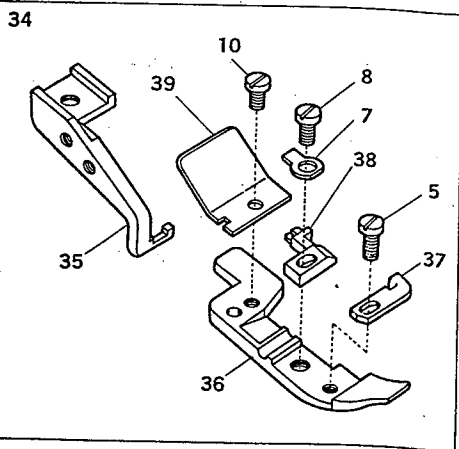
600-2,-3



EDGE GUIDE

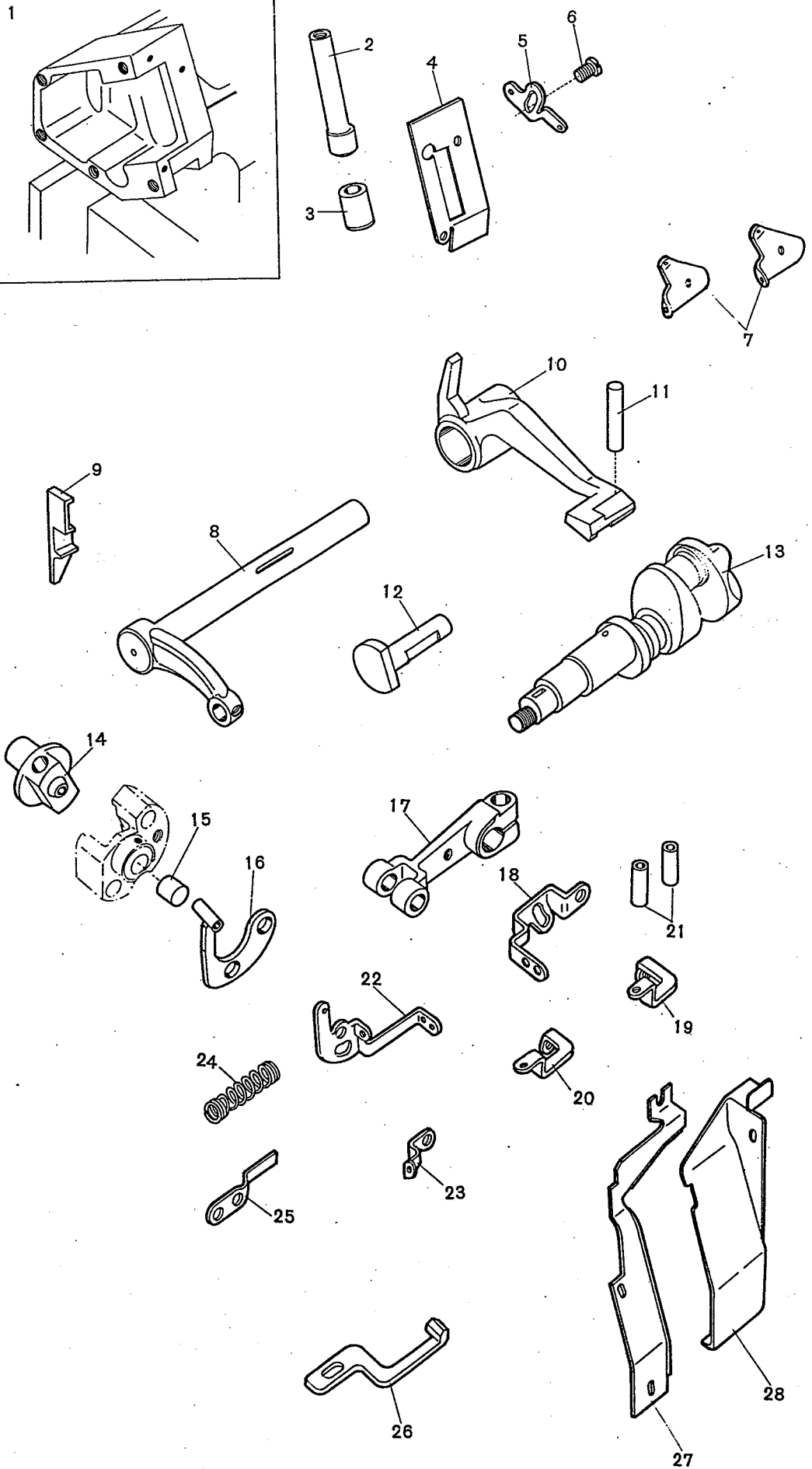
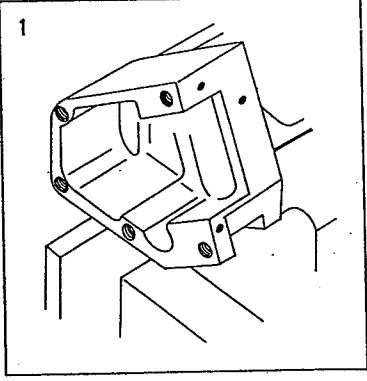


600-4



600-2,-3,-4 EXCLUSIVE PARTS

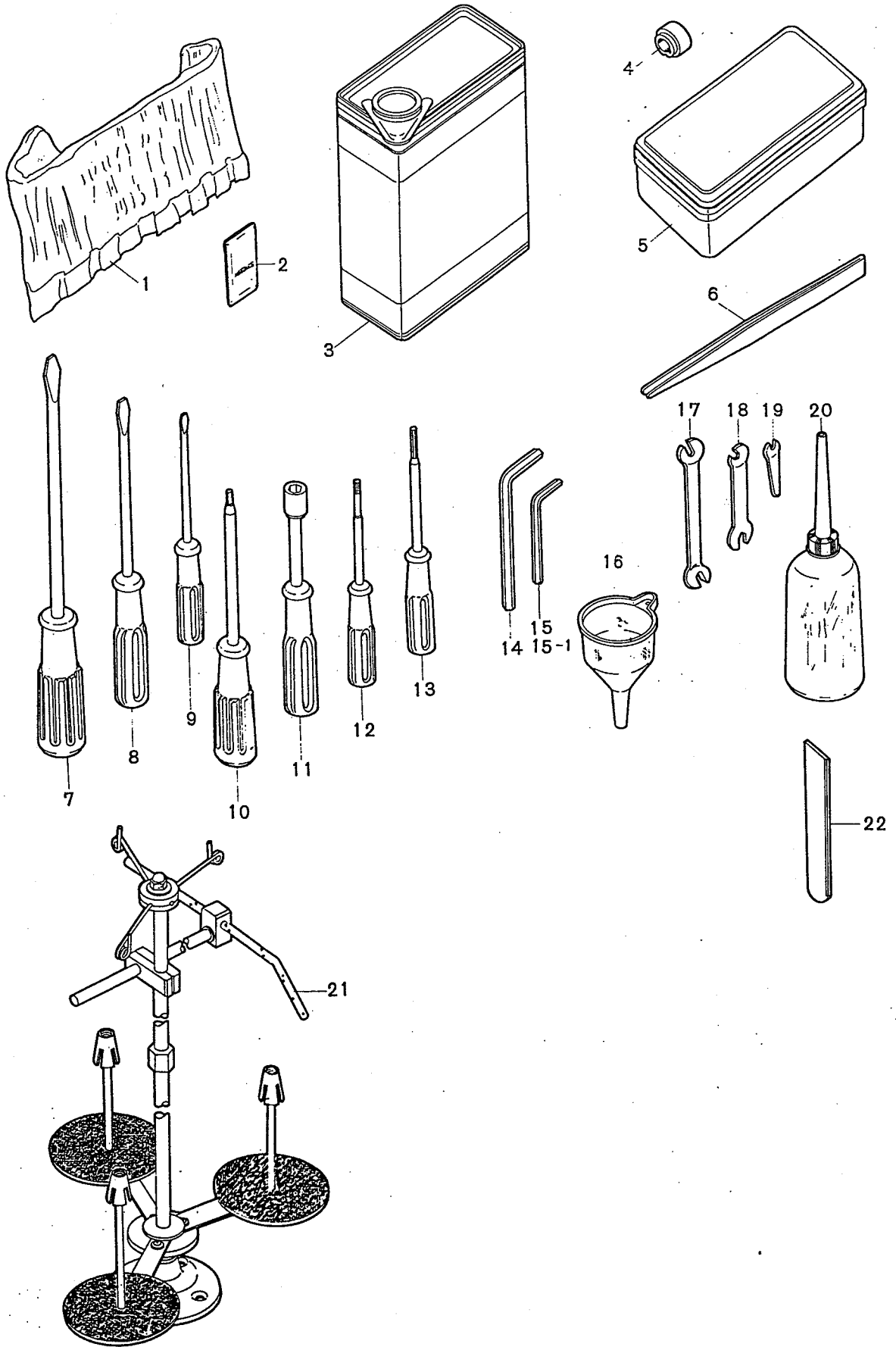
| <u>Ref.No.</u> | <u>Parts.No.</u> | <u>Description</u>                   | <u>Amt. Req.</u> | <u>Remarks</u> |
|----------------|------------------|--------------------------------------|------------------|----------------|
| 1              | Y32747           | Presser Foot Complete Set for 600-2  | 1                |                |
| 1-1            | Y32748           | Presser Foot Complete Set for 600-3  | 1                |                |
| 2              | Y32741           | Presser Foot Holder                  | 1                |                |
| 3              | Y32708           | Presser Foot for 600-2, -3           | 1                |                |
| 4              | Y32710           | Presser Foot Chip Guard              | 1                |                |
| 5              | Y 1230           | Screw for Y32710                     | 1                |                |
| 6              | Y32744           | Presser Foot Stitch Tongue for 600-2 | 1                |                |
| 6-1            | Y32743           | Presser Foot Stitch Tongue for 600-3 | 1                |                |
| 7              | Y30619           | Presser Foot Hinge Spring            | 1                |                |
| 8              | Y 5036           | Screw for Y30619                     | 1                |                |
| 9              | Y34535           | Presser Foot Chain Shield            | 1                |                |
| 10             | Y 1228           | Screw for Y34535                     | 1                |                |
| 11             | Y32671           | Throat Plate for 600-2               | 1                |                |
| 11-1           | Y32673           | Throat Plate for 600-3               | 1                |                |
| 12             | Y33816           | Differential Feed Dog for 600-2, -3  | 1                |                |
| 13             | Y33814           | Main Feed Dog for 600-2, -3          | 1                |                |
| 14             | Y37948           | Edge Guide Complete Set (Large)      | 1                |                |
| 15             | Y 4358           | Screw for Y37948, Y37962             | 1                |                |
| 16             | Y37962           | Edge Guide Complete Set (Small)      | 1                |                |
| 17             | Y33751           | Edge Guide Complete Set (Swing)      | 1                |                |
| 18             | Y33400           | Front Cover Latch Spring             | 1                |                |
| 19             | Y 7405           | Screw for Y33400                     | 1                |                |
| 20             | Y37372           | Needle Bar                           | 1                |                |
| 21             | Y37373           | Needle Holder                        | 1                |                |
| 22             | Y 3637           | Screws for Needle                    | 2                |                |
| 23             | Y 340            | Nut for Y6543                        | 1                |                |
| 24             | Y34763           | Needle Thread Tension Disc Eyelet    | 1                |                |
| 25             | Y 6543           | Tension Post                         | 1                |                |
| 26             | Y 286            | Felts for Tension Disc               | 2                |                |
| 27             | Y01111           | Tension Discs                        | 2                |                |
| 28             | Y37635           | Tread Tension Spring Retainer        | 1                |                |
| 29             | Y32971           | Needle Thread Tension Spring         | 1                |                |
| 30             | Y30254           | Tension Spring Bushing               | 1                |                |
| 31             | Y34774           | Tread Tension Spring Cap             | 1                |                |
| 32             | Y32416           | Lower Looper                         | 1                |                |
| 33             | Y32540           | Upper Looper                         | 1                |                |
| 34             | Y32579           | Presser Foot Complete Set            | 1                |                |
| 35             | Y32546           | Presser Foot Holder                  | 1                |                |
| 36             | Y32494           | Presser Foot                         | 1                |                |
| 37             | Y32493           | Presser Foot Chip Guard              | 1                |                |
| 38             | Y32551           | Presser Foot Stitch Tongue           | 1                |                |
| 39             | Y32746           | Presser Foot Chain Shield            | 1                |                |
| 40             | Y32571           | Throat Plate                         | 1                |                |
| 41             | Y33819           | Differential Feed Dog (Large Teeth)  | 1                |                |
| 42             | Y33818           | Main Feed Dog (Large Teeth)          | 1                |                |
| 43             | Y32557           | Auxiliary Feed Dog (Large Teeth)     | 1                |                |





600-4 EXCLUSIVE PARTS

| <u>Ref.No.</u> | <u>Parts.No.</u> | <u>Description</u>                     | <u>Amt.Req.</u> | <u>Remarks</u> |
|----------------|------------------|--|-----------------|----------------|
| 1              | Y32530           | Frame                                  | 1               |                |
| 2              | Y32532           | Needle Bar Bushing (Upper)             | 1               |                |
| 3              | Y32533           | Needle Bar Bushing (Lower)             | 1               |                |
| 4              | Y32572           | Needle Bar Connecting Link Cover       | 1               |                |
| 5              | Y32575           | Auxiliary Needle Thread Eyelet         | 1               |                |
| 6              | Y 4358           | Screw for Y32575                       | 1               |                |
| 7              | Y32585           | Looper Thread Tension Disc Eyelets     | 2               |                |
| 8              | Y32534           | Needle Bar Driving Crank               | 1               |                |
| 9              | Y32556           | Upper Knife Clamp                      | 1               |                |
| 10             | Y32552           | Presser Foot Positioning Arm           | 1               |                |
| 11             | Y32543           | Presser Spring Guide Pin               | 1               |                |
| 12             | Y32554           | Upper Knife Driving Arm Guide          | 1               |                |
| 13             | Y32531           | Crank Shaft                            | 1               |                |
| 14             | Y34515           | Upper Looper Bar Guide                 | 1               |                |
| 15             | Y34587           | Upper Looper Bar Guide Thrust Pin      | 1               |                |
| 16             | Y32374           | Upper Looper Thread Guide              | 1               |                |
| 17             | Y34514           | Upper Looper Bar Driving Arm           | 1               |                |
| 18             | Y32373           | Looper Thread Pull-Off (Right)         | 1               |                |
| 19             | Y32580           | Looper Thread Eyelet (Right)           | 1               |                |
| 20             | Y32582           | Looper Thread Eyelet (Left)            | 1               |                |
| 21             | Y32577           | Looper Thread Tubes                    | 2               |                |
| 22             | Y32583           | Looper Thread Pull-Off (Left)          | 1               |                |
| 23             | Y32584           | Lower Looper Thread Eyelet             | 1               |                |
| 24             | Y32490           | Lower Knife Holder Spring              | 1               |                |
| 25             | Y32488           | Lower Knife Holder Locking Plate       | 1               |                |
| 26             | Y32545           | Needle Guard (Front) for DCZ-222, -223 | 1               |                |
| 27             | Y32576           | Chip Guard (Fix)                       | 1               |                |
| 28             | Y32498           | Chip Guard (Open)                      | 1               |                |



ACCESSORY

12

| <u>Ref.No.</u> | <u>Parts.No.</u> | <u>Description</u>                               | <u>Amt. Req.</u> | <u>Remarks</u> |
|----------------|------------------|--|------------------|----------------|
| 1              | Y34767           | Machine Cover                                    | 1                |                |
| 2              |                  | Needles DCX1                                     | 10               |                |
| 3              |                  | Oil  | 1                |                |
| 4              |                  | Feed Driving Eccentric                           | 3                |                |
| 5              | Y34766           | Attachment Box                                   | 1                |                |
| 6              | Y37909           | Thread Tweezers                                  | 1                |                |
| 7              | Y37901           | Screw Driver (Large)                             | 1                |                |
| 8              | Y37902           | Screw Driver (Medium)                            | 1                |                |
| 9              | Y37903           | Screw Driver (Small)                             | 1                |                |
| 10             | Y37923           | Hexagon Screw Driver (1.98)                      | 1                |                |
| 11             | Y37946           | Socket Wrench (9.52)                             | 1                |                |
| 12             | Y37947           | Feed Driving Eccentric Extractor                 | 1                |                |
| 13             | Y37919           | Hexagon Screw Driver (Two Needle Only)<br>(1.56) | 1                |                |
| 14             | Y37922           | Hexagon Wrench Key (Large) (4.76)                | 1                |                |
| 15             | Y37916           | Hexagon Wrench Key (Small)                       | 1                |                |
| 15-1           | Y37924           | Hexagon Wrench Key (1.56)                        | 1                |                |
| 16             | Y34769           | Funnel   | 1                |                |
| 17             | Y37945           | Wrench (Large) (7.14X7.94)                       | 1                |                |
| 18             | Y37915           | Wrench (Medium) (7.14X7.14)                      | 1                |                |
| 19             | Y37944           | Wrench (Small) (4.9)                             | 1                |                |
| 20             | Y34768           | Oiler  | 1                |                |
| 21             | Y34770           | Thread Stand 3 Spool Type Complete Set<br>600-1  | 1                |                |
|                | Y34771           | Thread Stand 4 Spool Type Complete Set<br>600-4  | 1                |                |
| 22             | Y30421           | Lower Knife                                      | 1                |                |

## INDEX

| Parts.No. | Page No. | Ref.No. | Parts.No. | Page No. | Ref.No. | Parts.No. | Page No. | Ref.No. |
|-----------|----------|---------|-----------|----------|---------|-----------|----------|---------|
| Y 10      | 3        | 27      |           |          |         | Y 6662    | 5        | 45      |
| Y 20      | 8        | 19      | T3632     | 8        | 2       | Y 6861    | 9        | 28      |
| Y 62      | 5        | 8       | T3635     | 5        | 18      | Y 6910    | 3        | 37      |
| Y 282     | 5        | 2       | T3635     | 6        | 7       | Y 7002    | 3        | 14      |
| Y 282     | 6        | 22      | T3635     | 8        | 3       | Y 7302    | 1        | 6       |
| Y 286     | 2        | 10      | T3636     | 4        | 37      | Y 7311    | 5        | 38      |
| Y 286     | 3        | 3       | T3637     | 10       | 22      | Y 7405    | 10       | 19      |
| Y 286     | 10       | 26      | T3638     | 6        | 46      | Y 7605    | 1        | 11      |
| Y 304     | 4        | 34      | T3638     | 5        | 59      | Y 7605    | 5        | 53      |
| Y 304     | 6        | 27      | T3654     | 4        | 24      | Y 7609    | 4        | 4       |
| Y 331     | 9        | 49      | Z4313     | 5        | 5       | Y 7609    | 8        | 27      |
| Y 334     | 2        | 31      | Z4351     | 3        | 30      | Y 7616    | 5        | 30      |
| Y 334     | 7        | 41      | Z4351     | 2        | 20      | Y 7650    | 4        | 6       |
| Y 335     | 7        | 18      | Z4351     | 9        | 43      | Y 7650    | 6        | 31      |
| Y 340     | 10       | 23      | Z4353     | 1        | 9       | Y 7650    | 9        | 46      |
| Y 419     | 9        | 13      | Z4353     | 8        | 29      | Y 7672    | 2        | 33      |
| Y 419     | 9        | 29      | Z4353     | 9        | 33      | Y 9127    | 7        | 40      |
| Y 451     | 8        | 18      | Z4358     | 2        | 41      | Y 9142    | 6        | 33      |
| Y 509     | 9        | 23      | Z4358     | 6        | 25      | Y 9150    | 1        | 2       |
| Y 520     | 6        | 18      | Z4358     | 9        | 42      | Y 9150    | 2        | 2       |
| Y 526     | 4        | 36      | Z4358     | 10       | 15      | Y 9150    | 2        | 6       |
| Y 527     | 4        | 45      | Z4358     | 12       | 6       | Y 9150    | 3        | 23      |
| Y 532     | 3        | 41      | Z4402     | 4        | 17      | Y 9150    | 8        | 5       |
| Y 538     | 7        | 13      | Z4404     | 5        | 43      | Y 9200    | 4        | 18      |
| Y 550     | 2        | 23      | Z4404     | 7        | 10      | Y 9203    | 9        | 20      |
| Y 550     | 9        | 32      | Z4435     | 5        | 6       | Y 9209    | 4        | 39      |
| Y 563     | 3        | 34      | Z4437     | 5        | 26      | Y 9503    | 6        | 5       |
| Y 567     | 3        | 19      | Z4438     | 3        | 10      | Y 9506    | 5        | 15      |
| Y 567     | 3        | 45      | Z4440     | 1        | 23      | Y 9517    | 5        | 12      |
| Y 567     | 9        | 45      | Z4440     | 2        | 24      | Y 9604    | 6        | 41      |
| Y 610     | 2        | 16      | Z4440     | 2        | 37      | Y 9604    | 9        | 4       |
| Y 690     | 7        | 36      | Z4440     | 5        | 56      | Y 9604    | 9        | 18      |
| Y 698     | 2        | 35      | Z4440     | 8        | 21      | Y 9604    | 8        | 25      |
| Y 722     | 8        | 8       | Z4441     | 4        | 14      | Y 9730    | 3        | 46      |
| Y 723     | 5        | 31      | Z4591     | 5        | 48      | Y 9852    | 9        | 2       |
| Y 873     | 1        | 35      | Z4635     | 7        | 45      | Y 9909    | 9        | 19      |
| Y 874     | 1        | 35-1    | Y5000     | 8        | 23      | Y01111    | 10       | 27      |
| Y 875     | 1        | 35-2    | Y5004     | 6        | 29      | Y01111    | 3        | 4       |
| Y 926     | 9        | 38      | Y5036     | 7        | 4       | Y01111    | 2        | 11      |
| Y1092     | 3        | 17      | Y5036     | 10       | 8       | Y30020    | 12       | 22      |
| Y1156     | 2        | 34      | Y5036     | 13       | 22      | Y30021    | 12       | 24      |
| Y1170     | 7        | 19      | Y5062     | 3        | 20      | Y30022    | 12       | 25      |
| Y1174     | 5        | 27      | Y5071     | 5        | 20      | Y30023    | 12       | 23      |
| Y1186     | 7        | 22      | Y5071     | 6        | 2       | Y30126    | 1        | 16      |
| Y1222     | 1        | 25      | Y5074     | 5        | 50      | Y30222    | 6        | 40      |
| Y1228     | 7        | 7       | Y5075     | 3        | 48      | Y30254    | 2        | 14      |
| Y1228     | 3        | 25      | Y5077     | 2        | 17      | Y30254    | 3        | 7       |
| Y1228     | 10       | 10      | Y5089     | 1        | 33      | Y30254    | 10       | 30      |
| Y1230     | 7        | 8       | Y5089     | 2        | 29      | Y30291    | 4        | 40      |
| Y1230     | 10       | 5       | Y5095     | 1        | 18      | Y30421    | 5        | 51      |
| Y1230     | 13       | 19      | Y5131     | 1        | 28      | Y30421    | 18       | 26      |
| Y1326     | 1        | 26      | Y5133     | 9        | 48      | Y30619    | 7        | 3       |
| Y1326     | 3        | 12      | Y5345     | 6        | 16      | Y30619    | 10       | 7       |
| Y1326     | 6        | 44      | Y5401     | 5        | 41      | Y30619    | 13       | 21      |
| Y1330     | 1        | 24      | Y5492     | 2        | 18      | Y30711    | 9        | 35      |
| Y1330     | 3        | 42      | Y5500     | 6        | 19      | Y30745    | 9        | 27      |
| Y1333     | 2        | 27      | Y5505     | 7        | 42      | Y30748    | 9        | 26      |
| Y1435     | 4        | 39      | Y5507     | 6        | 36      | Y32347    | 6        | 26      |
| Y1448     | 4        | 43      | Y5508     | 5        | 28      | Y32348    | 6        | 30      |
| Y1457     | 4        | 29      | Y5509     | 7        | 14      | Y32358    | 3        | 43      |
| Y1459     | 2        | 39      | Y5520     | 5        | 16      | Y32365    | 2        | 21      |
| Y1459     | 7        | 32      | Y5541     | 7        | 17      | Y32373    | 12       | 18      |
| Y1459     | 9        | 36      | Y5550     | 6        | 12      | Y32374    | 12       | 16      |
| Y2022     | 7        | 26      | Y5550     | 7        | 28      | Y32375    | 3        | 33      |
| Y2133     | 4        | 26      | Y6000     | 7        | 38      | Y32376    | 9        | 22      |
| Y3311     | 5        | 10      | Y6004     | 3        | 28      | Y32377    | 3        | 35      |
| Y3311     | 6        | 23      | Y6040     | 1        | 17      | Y32381    | 8        | 20      |
| Y3404     | 6        | 9       | Y6262     | 3        | 36      | Y32416    | 10       | 32      |
| Y3434     | 2        | 43      | Y6330     | 9        | 37      | Y32417    | 9        | 30      |
| Y3434     | 5        | 33      | Y6401     | 7        | 47      | Y32420    | 7        | 44      |
| Y3591     | 4        | 16      | Y6542     | 3        | 2       | Y32421    | 3        | 47      |
| Y3595     | 4        | 22      | Y6543     | 10       | 25      | Y32423    | 3        | 13      |
|           |          |         | Y6544     | 2        | 9       |           |          |         |

## INDEX

| <u>Parts.No.</u> | <u>Page No.</u> | <u>Ref.No.</u> | <u>Parts.No.</u> | <u>Page No.</u> | <u>Ref.No.</u> | <u>Parts.No.</u> | <u>Page No.</u> | <u>Ref.No.</u> |
|------------------|-----------------|----------------|------------------|-----------------|----------------|------------------|-----------------|----------------|
| Y32424           | 3               | 12             | Y32625           | 3               | 26             | Y32784           | 6               | 4              |
| Y32425           | 3               | 15             | Y32626           | 3               | 29             | Y32785           | 6               | 2              |
| Y32426           | 3               | 16             | Y32627           | 3               | 11             | Y32786           | 6               | 8              |
| Y32475           | 3               | 24             | Y32628           | 1               | 19             | Y32787           | 6               | 6              |
| Y32476           | 9               | 17             | Y32629           | 1               | 20             | Y32788           | 6               | 39             |
| Y32479           | 9               | 16             | Y32640           | 1               | 21             | Y32789           | 6               | 42             |
| Y32480           | 9               | 14             | Y32644           | 5               | 14             | Y32790           | 6               | 45             |
| Y32483           | 9               | 12             | Y32645           | 5               | 9              | Y32792           | 6               | 11             |
| Y32484           | 2               | 36             | Y32646           | 5               | 11             | Y32793           | 4               | 41             |
| Y32488           | 12              | 25             | Y32647           | 4               | 31             | Y32794           | 4               | 46             |
| Y32490           | 12              | 24             | Y32648           | 4               | 28             | Y32795           | 4               | 47             |
| Y32493           | 10              | 37             | Y32649           | 9               | 5              | Y32799           | 6               | 21             |
| Y32494           | 10              | 36             | Y32650           | 4               | 30             | Y32800           | 6               | 20             |
| Y32498           | 12              | 28             | Y32651           | 5               | 4              | Y32802           | 4               | 42             |
| Y32519           | 5               | 34             | Y32652           | 4               | 35             | Y32803           | 6               | 35             |
| Y32530           | 12              | 1              | Y32653           | 4               | 33             | Y32806           | 9               | 31             |
| Y32531           | 12              | 13             | Y32654           | 5               | 54             | Y32807           | 6               | 34             |
| Y32532           | 12              | 2              | Y32655           | 5               | 42             | Y32812           | 9               | 3              |
| Y32533           | 12              | 3              | Y32660           | 3               | 38             | Y32815           | 6               | 37             |
| Y32534           | 12              | 2              | Y32662           | 5               | 17             | Y32816           | 6               | 38             |
| Y32539           | 13              | 33             | Y32663           | 3               | 9              | Y32817           | 4               | 13             |
| Y32540           | 10              | 33             | Y32667           | 5               | 40-1           | Y32818           | 4               | 12             |
| Y32541           | 13              | 31             | Y32670           | 5               | 19             | Y32819           | 5               | 21             |
| Y32542           | 13              | 14             | Y32671           | 10              | 11             | Y32820           | 4               | 5              |
| Y32543           | 12              | 11             | Y32673           | 10              | 11-1           | Y32848           | 6               | 13             |
| Y32544           | 12              | 26             | Y32684           | 4               | 32             | Y32849           | 6               | 14             |
| Y32545           | 12              | 26-1           | Y32685           | 9               | 1              | Y32850           | 9               | 21             |
| Y32546           | 10              | 35             | Y32706           | 7               | 9              | Y32851           | 8               | 17             |
| Y32551           | 10              | 32             | Y32708           | 10              | 3              | Y32852           | 8               | 15             |
| Y32552           | 12              | 10             | Y32710           | 10              | 4              | Y32853           | 8               | 14             |
| Y32554           | 12              | 12             | Y32711           | 7               | 37             | Y32854           | 8               | 9              |
| Y32556           | 12              | 9              | Y32713           | 7               | 35             | Y32856           | 8               | 11             |
| Y32557           | 10              | 43             | Y32714           | 7               | 33             | Y32857           | 8               | 6              |
| Y32558           | 13              | 4              | Y32715           | 7               | 34             | Y32858           | 8               | 4              |
| Y32570           | 13              | 26             | Y32716           | 7               | 39             | Y32864           | 8               | 7              |
| Y32571           | 10              | 40             | Y32717           | 7               | 29             | Y32866           | 8               | 12             |
| Y32572           | 12              | 4              | Y32718           | 7               | 27             | Y32867           | 8               | 10             |
| Y32575           | 12              | 5              | Y32719           | 7               | 31             | Y32868           | 4               | 44             |
| Y32576           | 12              | 27             | Y32720           | 7               | 25             | Y32871           | 8               | 28             |
| Y32577           | 12              | 21             | Y32721           | 7               | 24             | Y32873           | 10              | 27             |
| Y32577           | 2               | 7              | Y32722           | 7               | 20             | Y32873           | 8               | 26             |
| Y32579           | 10              | 34             | Y32723           | 7               | 21             | Y32883           | 8               | 24             |
| Y32580           | 12              | 19             | Y32724           | 7               | 15             | Y32892           | 10              | 25             |
| Y32582           | 12              | 20             | Y32725           | 7               | 12             | Y32898           | 9               | 10             |
| Y32583           | 12              | 22             | Y32726           | 7               | 46             | Y32899           | 5               | 55             |
| Y32584           | 12              | 23             | Y32727           | 7               | 43             | Y32900           | 5               | 39             |
| Y32585           | 12              | 7              | Y32728           | 7               | 16             | Y32902           | 5               | 36             |
| Y32586           | 2               | 30             | Y32729           | 7               | 30             | Y32903           | 5               | 35             |
| Y32597           | 2               | 3              | Y32736           | 7               | 1              | Y32904           | 4               | 23             |
| Y32599           | 2               | 32             | Y32739           | 7               | 11             | Y32905           | 4               | 25             |
| Y32600           | 1               | 34             | Y32741           | 7               | 5              | Y32906           | 4               | 27             |
| Y32601           | 5               | 44             | Y32741           | 10              | 2              | Y32909           | 5               | 32             |
| Y32602           | 1               | 10             | Y32743           | 7               | 2-1            | Y32910           | 5               | 25             |
| Y32603           | 1               | 12             | Y32743           | 10              | 6-1            | Y32911           | 5               | 23             |
| Y32604           | 1               | 15             | Y32744           | 7               | 2              | Y32912           | 5               | 29             |
| Y32604           | 5               | 46             | Y32744           | 10              | 6              | Y32913           | 5               | 22             |
| Y32605           | 2               | 28             | Y32745           | 10              | 10             | Y32914           | 5               | 24             |
| Y32606           | 1               | 29             | Y32745           | 7               | 48             | Y32916           | 5               | 47             |
| Y32607           | 1               | 30             | Y32746           | 10              | 39             | Y32917           | 5               | 52             |
| Y32608           | 1               | 31             | Y32747           | 10              | 1              | Y32919           | 5               | 49             |
| Y32609           | 2               | 40             | Y32748           | 10              | 1              | Y32920           | 5               | 37             |
| Y32610           | 1               | 22             | Y32772           | 4               | 15             | Y32921           | 5               | 13             |
| Y32611           | 1               | 27             | Y32773           | 4               | 3              | Y32924           | 2               | 25             |
| Y32612           | 2               | 42             | Y32774           | 4               | 1              | Y32925           | 4               | 7              |
| Y32615           | 2               | 5              | Y32775           | 4               | 10             | Y32929           | 9               | 34             |
| Y32617           | 1               | 1              | Y32777           | 4               | 11             | Y32930           | 2               | 26             |
| Y32618           | 1               | 3              | Y32778           | 4               | 9              | Y32931           | 9               | 8              |
| Y32619           | 1               | 4              | Y32779           | 4               | 8              | Y32933           | 9               | 9              |
| Y32620           | 1               | 5              | Y32780           | 4               | 2              | Y32934           | 9               | 7              |
| Y32622           | 1               | 7              | Y32781           | 4               | 19             | Y32935           | 9               | 40             |
| Y32623           | 1               | 8              | Y32782           | 4               | 21             | Y32937           | 9               | 41             |
| Y32624           | 2               | 22             | Y32783           | 6               | 1              | Y32938           | 9               | 24             |

| <u>Parts.No.</u> | <u>Page No.</u> | <u>Ref.No.</u> | <u>Parts.No.</u> | <u>Page No.</u> | <u>Ref.No.</u> |
|------------------|-----------------|----------------|------------------|-----------------|----------------|
| Y32944           | 9               | 47             | Y37697           | 9               | 15             |
| Y32948           | 9               | 50             | Y37901           | 12              | 7              |
| Y32949           | 9               | 52             | Y37902           | 12              | 8              |
| Y32952           | 3               | 6              | Y37903           | 12              | 9              |
| Y32955           | 3               | 40             | Y37907           | 12              | 28             |
| Y32959           | 6               | 43             | Y37909           | 12              | 6              |
| Y32960           | 3               | 44             | Y37911           | 12              | 29             |
| Y32962           | 3               | 1              | Y37912           | 12              | 27             |
| Y32962           | 2               | 8              | Y37915           | 12              | 18             |
| Y32963           | 2               | 38             | Y37916           | 12              | 15             |
| Y32965           | 2               | 15             | Y37919           | 12              | 13             |
| Y32965           | 3               | 8              | Y37922           | 12              | 14             |
| Y32965           | 13              | 13             | Y37923           | 12              | 10             |
| Y32968           | 13              | 5              | Y37924           | 12              | 35             |
| Y32971           | 2               | 13             | Y37944           | 12              | 19             |
| Y32971           | 10              | 29             | Y37945           | 12              | 17             |
| Y32973           | 3               | 32             | Y37946           | 12              | 11             |
| Y32975           | 3               | 31             | Y37947           | 12              | 12             |
| Y32976           | 3               | 21             | Y37948           | 10              | 14             |
| Y32977           | 3               | 22             | Y37962           | 10              | 16             |
| Y33013           | 6               | 15             | Y80503           | 9               | 25             |
| Y33024           | 7               | 23             | Y90320           | 5               | 1              |
| Y33400           | 10              | 18             | Y90321           | 5               | 3              |
| Y33751           | 10              | 17             |                  |                 |                |
| Y33810           | 8               | 28             |                  |                 |                |
| Y33811           | 8               | 26             |                  |                 |                |
| Y33812           | 8               | 28-1           |                  |                 |                |
| Y33813           | 10              | 32             |                  |                 |                |
| Y33814           | 10              | 13             |                  |                 |                |
| Y33816           | 10              | 12             |                  |                 |                |
| Y33817           | 10              | 32-2           |                  |                 |                |
| Y33818           | 10              | 33-1           |                  |                 |                |
| Y33818           | 10              | 42             |                  |                 |                |
| Y33819           | 10              | 41             |                  |                 |                |
| Y33870           | 5               | 58             |                  |                 |                |
| Y33871           | 5               | 54             |                  |                 |                |
| Y33873           | 5               | 57             |                  |                 |                |
| Y34010           | 3               | 39             |                  |                 |                |
| Y34059           | 8               | 22             |                  |                 |                |
| Y34104           | 6               | 17             |                  |                 |                |
| Y34134           | 8               | 1              |                  |                 |                |
| Y34224           | 6               | 24             |                  |                 |                |
| Y34226           | 6               | 32             |                  |                 |                |
| Y34514           | 12              | 17             |                  |                 |                |
| Y34515           | 12              | 28             |                  |                 |                |
| Y34516           | 6               | 28             |                  |                 |                |
| Y34517           | 6               | 10             |                  |                 |                |
| Y34518           | 4               | 38             |                  |                 |                |
| Y34535           | 7               | 6              |                  |                 |                |
| Y34535           | 10              | 9              |                  |                 |                |
| Y34587           | 12              | 15             |                  |                 |                |
| Y34760           | 1               | 32             |                  |                 |                |
| Y32761           | 2               | 4              |                  |                 |                |
| Y34762           | 2               | 1              |                  |                 |                |
| Y34763           | 10              | 24             |                  |                 |                |
| Y34764           | 2               | 19             |                  |                 |                |
| Y34766           | 12              | 5              |                  |                 |                |
| Y34767           | 12              | 1              |                  |                 |                |
| Y34768           | 12              | 20             |                  |                 |                |
| Y34769           | 12              | 16             |                  |                 |                |
| Y34770           | 12              | 21-1           |                  |                 |                |
| Y34771           | 12              | 21-2           |                  |                 |                |
| Y34774           | 10              | 31             |                  |                 |                |
| Y37122           | 5               | 7              |                  |                 |                |
| Y37372           | 10              | 20             |                  |                 |                |
| Y37373           | 10              | 21             |                  |                 |                |
| Y37635           | 2               | 12             |                  |                 |                |
| Y37635           | 3               | 5              |                  |                 |                |
| Y37635           | 10              | 28             |                  |                 |                |
| Y37668           | 9               | 51             |                  |                 |                |
| Y37669           | 9               | 44             |                  |                 |                |
| Y37675           | 9               | 20             |                  |                 |                |



