

JUKI

1-NEEDLE, 3-THREAD OVERLOCK SEWING MACHINE
OVERLOCK-NAHMASCHINE MIT 1 NADELN, 3 FADEN
SURJETEUSE-RASEUSE 1 AIGUILLES, 3 FILS

MO-613V

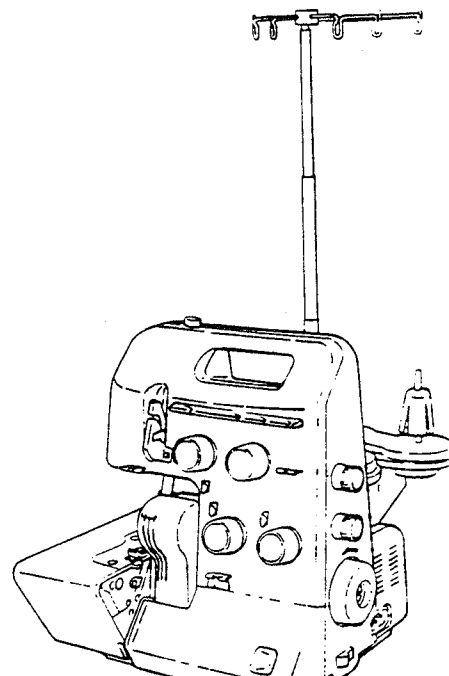
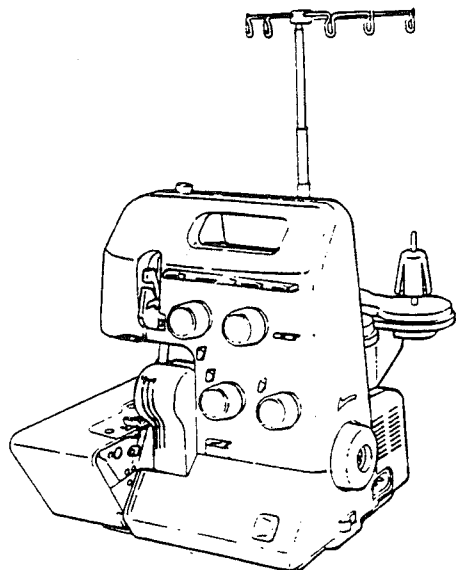
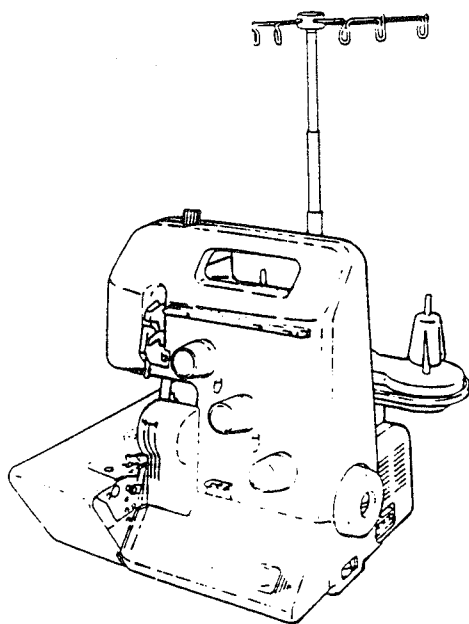
2-NEEDLE, 4-THREAD OVERLOCK SEWING MACHINE
OVERLOCK-NAHMASCHINE MIT 2 NADELN, 4 FADEN
SURJETEUSE-RASEUSE 2 AIGUILLES, 4 FILS

MO-634V/634DEV

Parts list

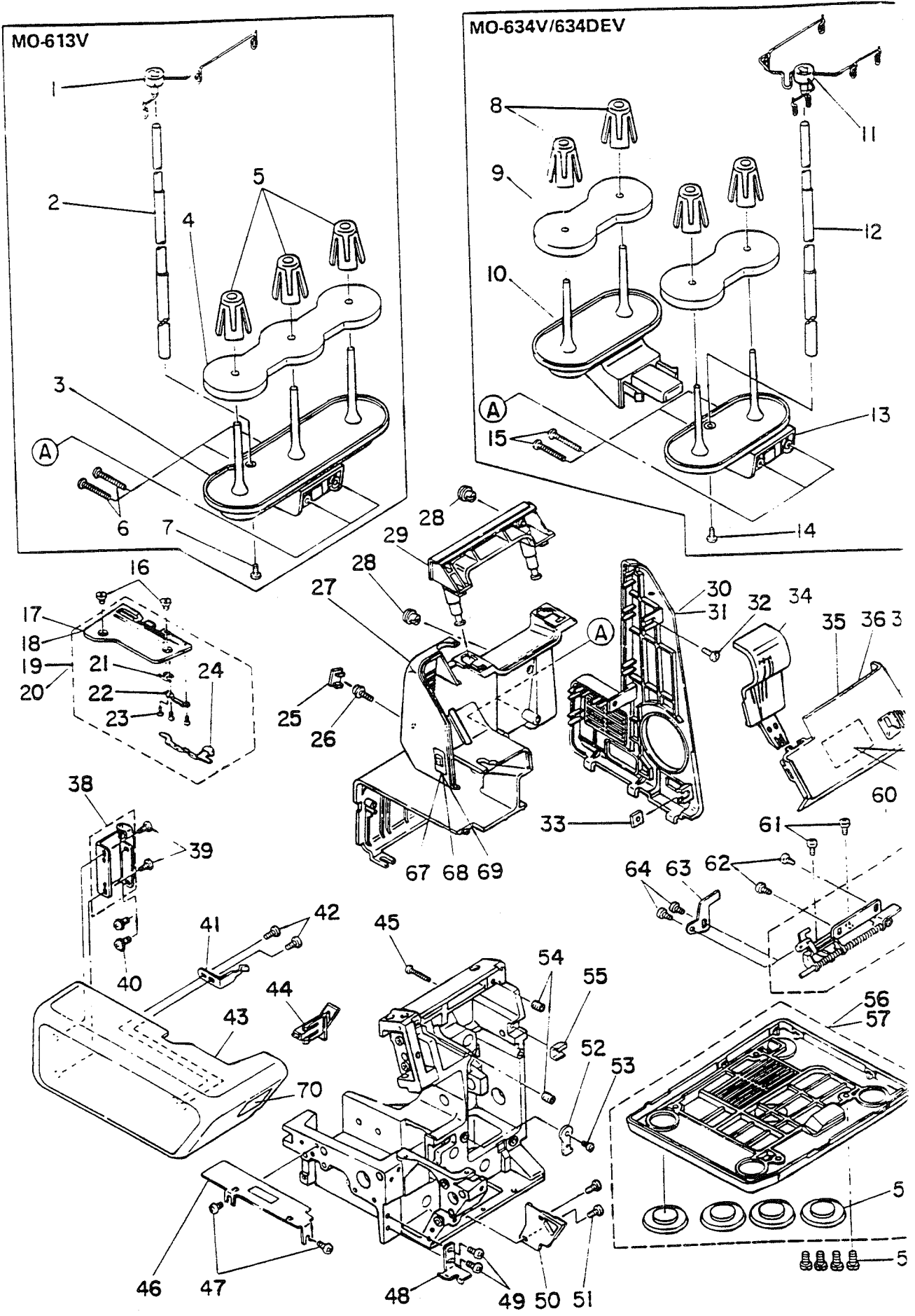
Teilekatalog

Catalogue de pièces détachées

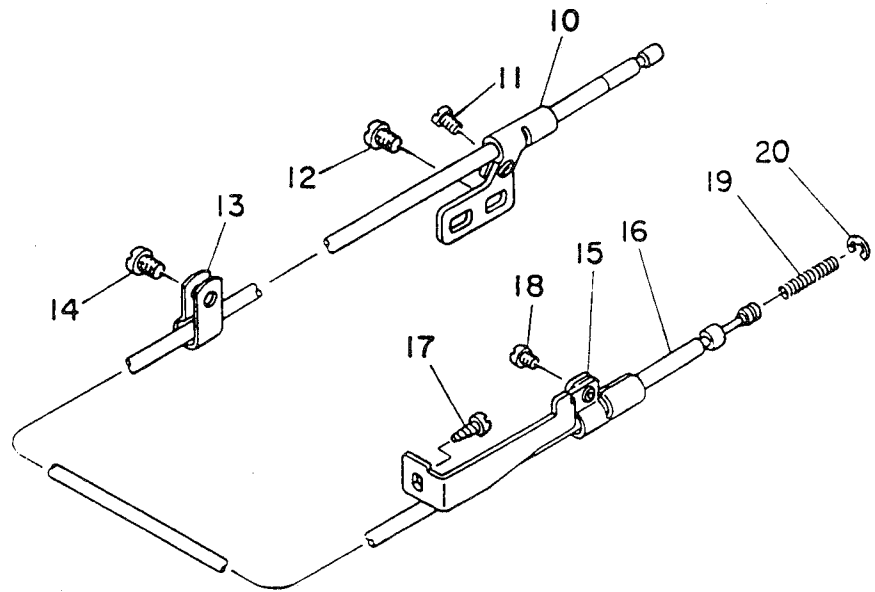
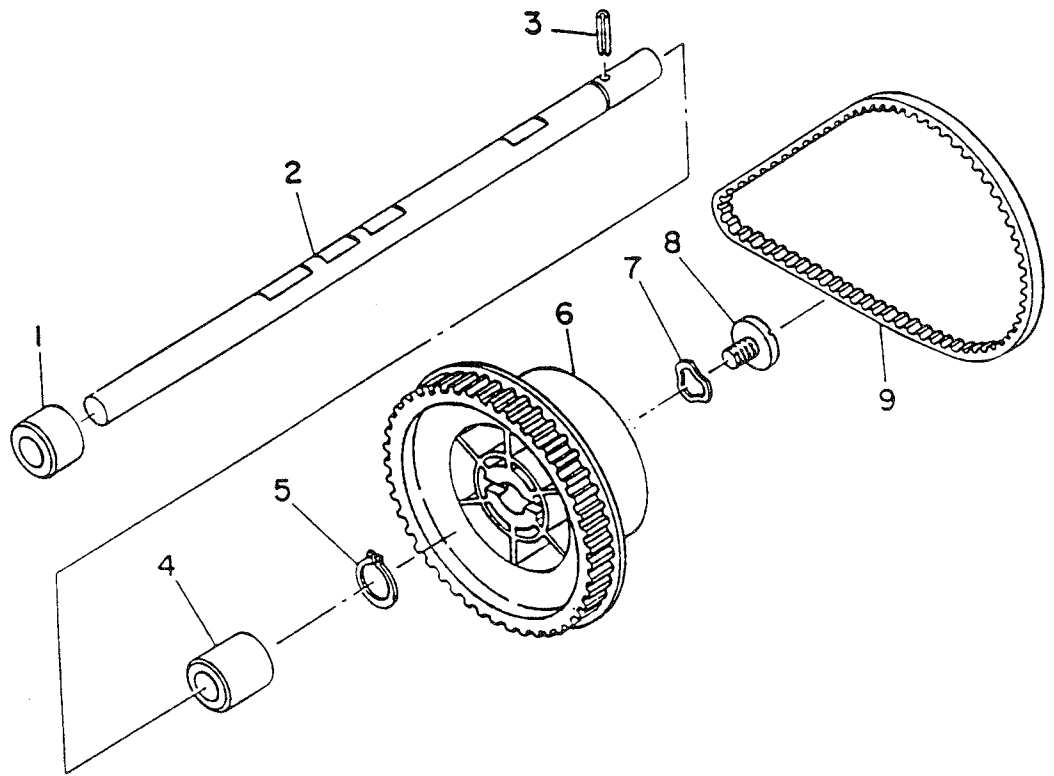


CONTENTS

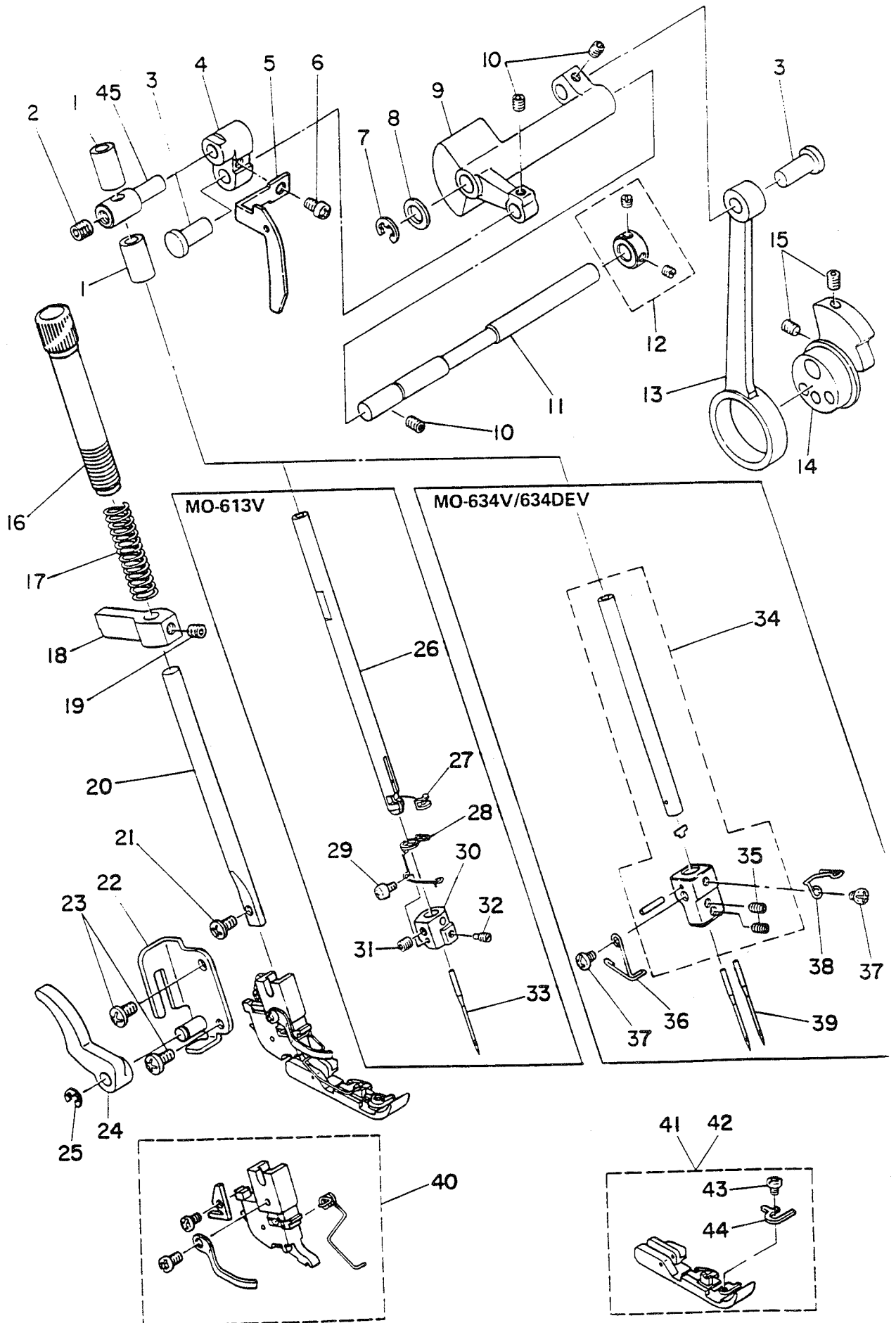
• FRAME COMPONENTS	1, 2
• MAIN SHAFT	3, 4
• NEEDLE BAR & PRESSER FOOT COMPONENTS	5, 6
• FEED MECHANISM COMPONENTS (613V/634V)	7, 8
• FEED MECHANISM COMPONENTS (634DEV)	9, 10
• LOOPER COMPONENTS	11, 12
• KNIFE COMPONENTS	13, 14
• THREAD TENSION COMPONENTS	15, 16
• MOTOR COMPONENTS	17
• ACCESSORIES COMPONENTS & OPTIONAL PARTS	18



Ref. No.	Note	Part No.	Description	E.C	Amt. Req.
1	613V	A1120-613-0A0	THREAD GUIDE ASM.		1
2	613V	A1120-334-000	SUPPORTING ROD		1
3	613V	A1118-503-000	SPOOL HOLDER		1
4	613V	A1121-203-000	FOAM PAD		1
5	613V	A1120-202-000	ANTI-VIBRATION CONE		3
6	613V	SM-5043755-SC	SCREW		2
7	613V	SM-5051255-SN	SCREW		1
8	634V/634DEV	A1120-202-000	ANTI-VIBRATION CONE		4
9	634V/634DEV	A1121-202-000	FOAM PAD		2
10	634V/634DEV	A1119-634-000	SPOOL HOLDER (B)		1
11	634V/634DEV	A1120-634-0A0	THREAD GUIDE ASM.		1
12	634V/634DEV	A1120-334-000	SUPPORTING ROD		1
13	634V/634DEV	A1118-502-000	SPOOL HOLDER (A)		1
14	634V/634DEV	SM-5051255-SN	SCREW		1
15	634V/634DEV	SM-5043755-SC	SCREW		2
16		A1138-335-000	SCREW		2
17	613V	A1115-503-0A0	THROAT PLATE ASM.		1
18	634V/634DEV	A1115-334-0A0	THROAT PLATE ASM.		1
19	613V	A1115-503-0B0	THROAT PLATE MAS. ASM.		1
20	634V/634DEV	A1115-334-0B0	THROAT PLATE MAS. ASM.		1
21		A1131-203-000	LATCH PRESSER SPRING		1
22		A1132-334-000	THREAD SLIP GUIDE		1
23		SM-4020351-SC	SCREW		3
24		A1136-334-0AS	THROAT PLATE THREAD SLIP ASM.		1
25		A1146-503-000	COVER CAP (B)		1
26		SL-5031031-SN	SCREW		1
27		A1106-634-000	REAR COVER (WITH REFLECTING SEAL)		1
28		A1124-503-000	COVER CAP (A)		2
29		A1145-634-000	HANDLE		1
30	613V/634V	A1103-634-000	SIDE COVER		1
31	634DEV	A1103-634-E00	SIDE COVER		1
32		SM-5040855-SN	SCREW		1
33		A3151-535-000	FRONT COVER NUT		1
34		A1152-634-000A	CHIP GUARD COVER		1
35	613V	A1151-613-00V	LOOPER COVER		1
36	634V	A1151-634-00V	LOOPER COVER		1
37	634DEV	A1151-634-E0V	LOOPER COVER		1
38		A1161-535-0A0	CLOTH PLATE HINGE ASM.		1
39		ST-5041051-SN	TAPING SCREW		2
40		SL-5040865-SN	SCREW		2
41		A1160-634-000	CLOTH PLATE OPENING SPRING		1
42		ST-5041051-SN	TAPING SCREW		2
43		A1104-634-000	CLOTH PLATE		1
44		A1104-634-A00	CLOTH PLATE COVER		1
45		SM-5032555-SE	SCREW		1
46		A1135-535-000	UPPER COVER		1
47		SM-5040855-SN	SCREW		2
48		A1164-535-000	CLOTH PLATE PRESSER PLATE		1
49		SM-5040855-SN	SCREW		2
50		A1156-634-000	LOOPER COVER GUIDE		1
51		SM-4040655-SN	SCREW		2
52		A3161-634-000	FRONT COVER INSTALLATION PLATE		1
53		SM-4040655-SN	SCREW		1
54		SM-8050842-TP	SCREW		2
55		A3150-535-000	FRONT COVER ASM. PLATE		1
56		A1102-634-0A0	BASE PLATE ASM.		1
57	613V/634V	A1102-634-AA0	BASE PLATE ASM. (SAUDI ARABIA)		1
58		A1123-535-000	SUCTION FEET		4
59		SM-5051255-SN	SCREW		4
60		A1153-634-0A0	LOOPER COVER HINGE ASM.		1
61		SM-5040855-SN	SCREW		2
62		ST-5041051-SN	TAPING SCREW		2
63		A1169-634-000	CHIP GUARD COVER PLATE		1
64		SM-4850455-SN	SCREW		2
65	613V	A1190-613-000	THREADING CHART		1
66	634V/634DEV	A1190-634-000	THREADING CHART		1
67		A3123-634-A00	NEEDLE FIXATION LABEL (USA/CANADA)		1
68		A3123-634-B00	NEEDLE FIXATION LABEL (EUROPE)		1
69	613V/634V	A3123-634-C00	NEEDLE FIXATION LABEL (SAUDI ARABIA)		1
70	613V	A1171-634-000	SAFETY SWITCH SEAL		1

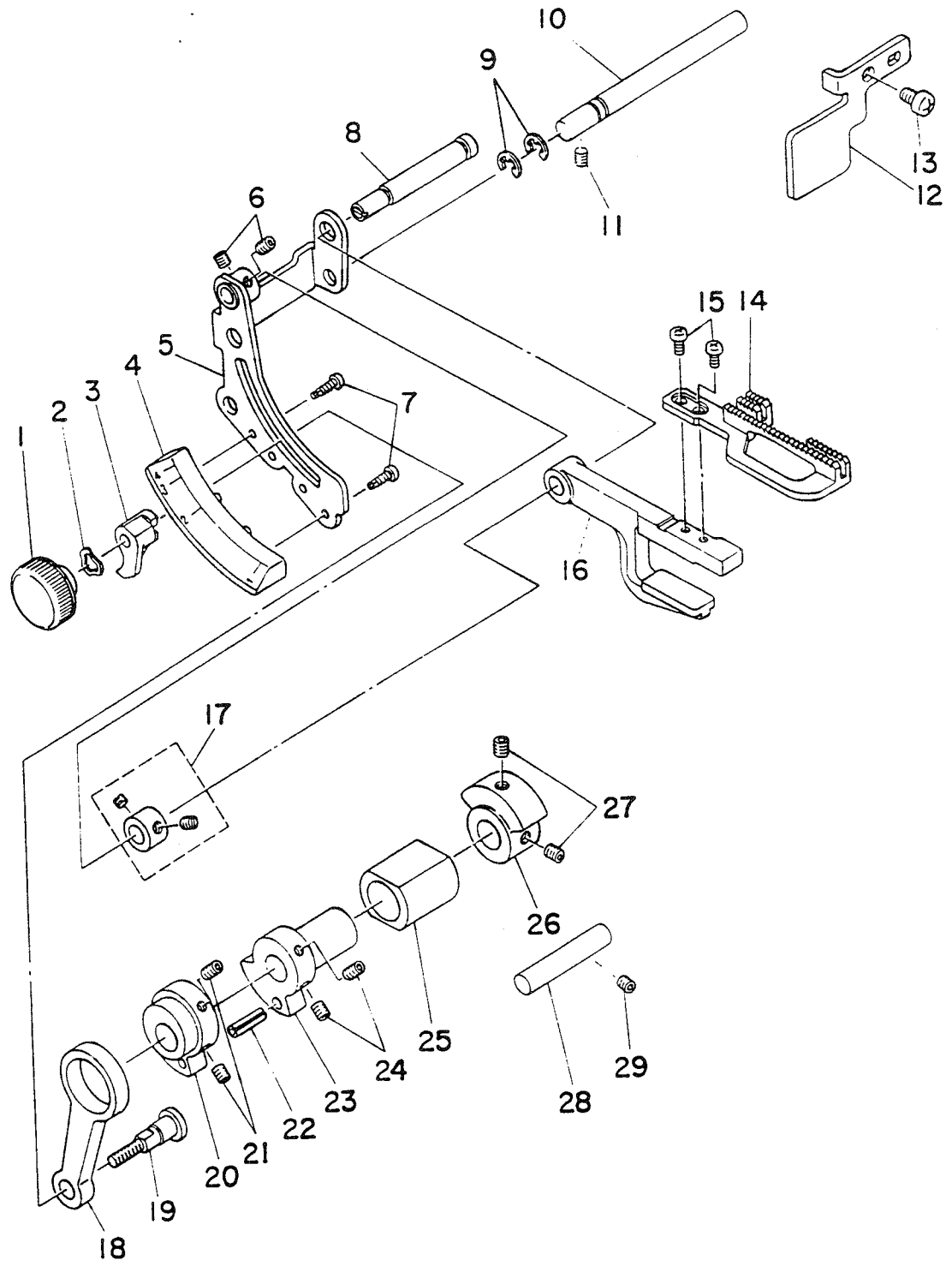


Ref. No.	Note	Part No.	Description	E.C	Amt. Req.
1		A1206-335-000	MAIN SHAFT BUSHING (FRONT)		1
2		A1201-535-00A	MAIN SHAFT		1
3		PS-0400222-KH	PIN		1
4		A1206-202-000	MAIN SHAFT BUSHING (REAR)		1
5		A1206-102-000	C-RING		1
6		A1202-634-000A	HANDWHEEL		1
7		A1206-535-000	HANDWHEEL WASHER		1
8		A1230-500-000A	HANDWHEEL SETSCREW		1
9		A1205-634-000	TIMING BELT		1
10		A6021-535-000	WIRE HOLDER (B)		1
11		SM-4030455-SN	SCREW		1
12		SM-5040855-SN	SCREW		1
13		HX-0015000-0B	CORD PRESSER		1
14		SM-4040655-SN	SCREW		1
15		A6020-535-000	WIRE HOLDER (A)		1
16		A6026-335-EA0	WIRE ASM.		1
17		ST-5030851-SN	TAPING SCREW		1
18		SM-4030455-SN	SCREW		1
19		A6033-535-000	SPRING		1
20		RE-0200000-K0	E-RING		1



Ref. No.	Note	Part No.	Description	E.C	Amt. Req.
1		A1407-102-000	NEEDLE BAR BUSHING		2
2		SM-8060602-TP	SCREW		1
3		A1403-102-000	CONNECTING PIN		2
4		A1412-535-000	NEEDLE BAR LINK		1
5		A1413-613-000	NEEDLE THREAD TAKE-UP		1
6		SM-4040655-SN	SCREW		1
7		RE-0600000-K0	E-RING		1
8		WP-0820516-SP	WASHER		1
9		A1402-535-000	NEEDLE BAR CRANK		1
10		SM-8040402-TP	SCREW		3
11		A1404-535-000	NEEDLE BAR DRIVING SHAFT		1
12		A1414-502-0A0	THRUST COLLAR ASM.		1
13		A1403-335-000	NEEDLE BAR CRANK ROD		1
14		A1401-535-000A	NEEDLE BAR DRIVING CAM		1
15		SM-8050602-TP	SCREW		2
16		A1503-634-000	PRESSER FOOT ADJ. SCREW		1
17		A1501-535-000	PRESSER SPRING		1
18		A1502-535-000	PRESSER BAR GUIDE BRACKET		1
19		SM-8050402-TP	SCREW		1
20		A1507-535-000	PRESSER BAR		1
21		SM-5040855-SN	SCREW		1
22		A1504-535-0A0	LIFTING LEVER SET PLATE ASM.		1
23		SM-5040855-SN	SCREW		2
24		A1506-503-000	LIFTING LEVER		1
25		RE-0500000-K0	E-RING		1
26	613V	A1406-503-0A0	NEEDLE BAR		1
27	613V	A1415-335-000	NEEDLE GUIDE PLATE		1
28	613V	A1405-513-000	NEEDLE BAR THREAD GUIDE		1
29	613V	SM-4850455-SP	SCREW		1
30	613V	A1407-303-000	NEEDLE CLAMP		1
31	613V	SM-8040402-TP	SCREW		1
32	613V	A1409-303-000	NEEDLE SETSCREW		1
33	613V	MHA-100B1100	NEEDLE (HAX 1)		1
34	634V/634DEV	A1406-634-0A0	NEEDLE BAR ASM.		1
35	634V/634DEV	A1416-334-000	NEEDLE SETSCREW		2
36	634V/634DEV	A1410-634-000	NEEDLE BAR THREAD GUIDE (B)		1
37	634V/634DEV	SM-4030455-SN	SCREW		2
38	634V/634DEV	A1409-634-000	NEEDLE BAR THREAD GUIDE (A)		1
39	634V/634DEV	MHA-100B1-100	NEEDLE (HAX 1)		2
40		A1514-535-0C0	PRESSER FOOT SHANK ASM.		1
41	613V	A1501-613-0B0	PRESSER FOOT		1
42	634V/634DEV	A1501-634-0B0	PRESSER FOOT		1
43		SM-4030301-SC	SCREW		1
44		A1550-634-000	TAPE GUIDE PLATE		1
45		A1411-335-000	NEEDLE BAR GUIDE BRACKET		1

MO-613V/634V

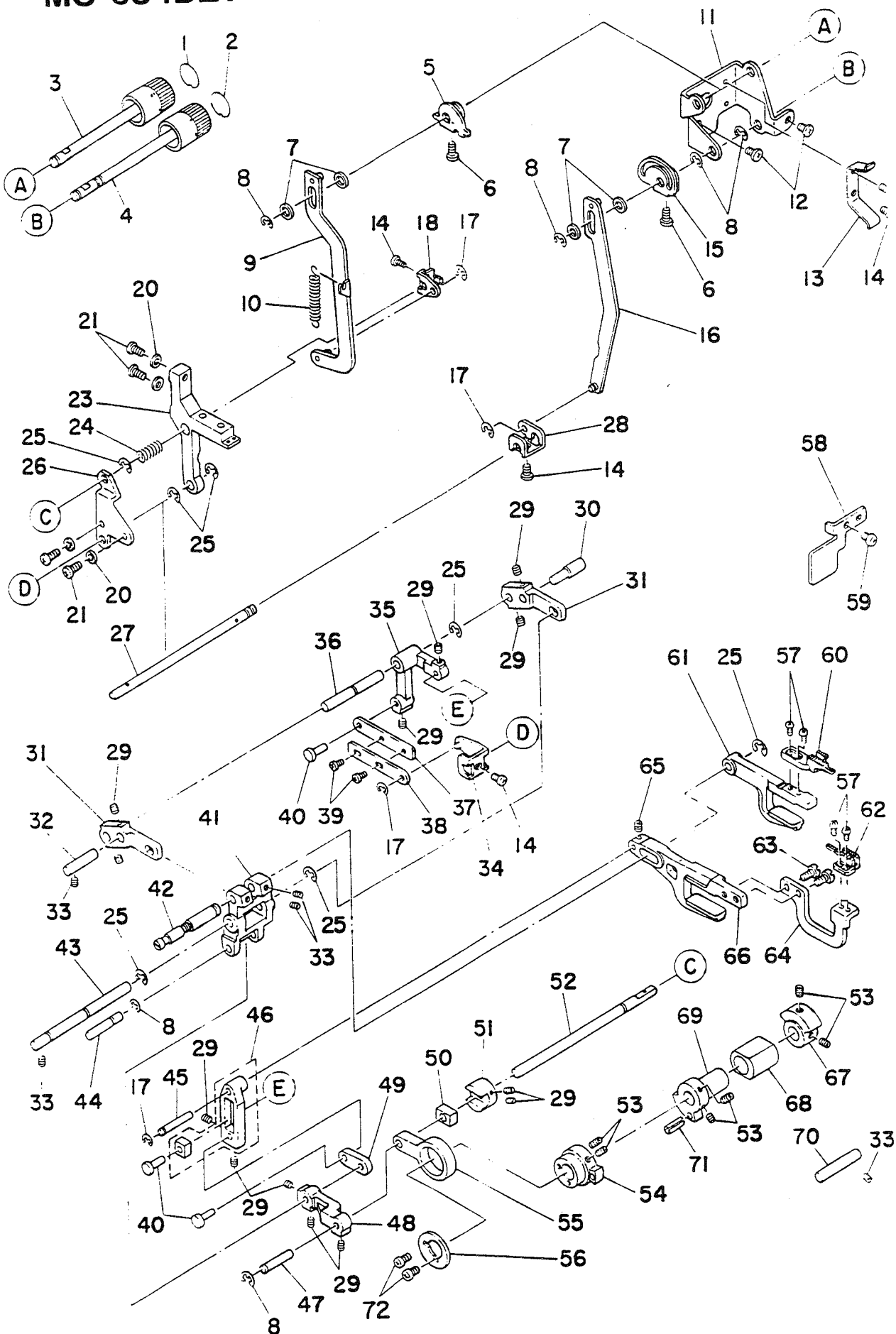


Ref. No.	Note	Part No.	Description	E.C	Amt. Req.
1		A1650-534-000	FEED ADJUSTING KNOB		1
2		WZ-0430200-KP	WASHER		1
3		A1652-535-000	FEED ADJUSTING POINTER		1
4		A1628-535-000	FEED ADJUSTING SCALE		1
5		A1623-535-0A0	FEED BASE ARM		1
6		SM-8040302-TP	SCREW		2
7		ST-4861051-SN	TAPING SCREW		2
8		A1626-535-000	FEED BASE SUPPORTING SHAFT		1
9		RE-0500000-K0	E-RING		2
10		A1622-535-000	HORIZONTAL FEED SHAFT		1
11		SM-8040402-TP	SCREW		1
12		A1613-535-000	FEED BASE GUIDE		1
13		SM-4040655-SN	SCREW		1
14		A1627-503-000	FEED DOG		1
15		SM-4030655-SP	SCREW		2
16		A1625-535-000	FEED BASE ARM		1
17		A1605-550-0A0A	THRUST COLLAR ASM.		1
18		A1616-535-000	HORIZONTAL FEED LINK		1
19		A1651-535-000	FEED ADJUSTING ROD		1
20		A1617-535-000	HORIZONTAL FEED CAM		1
21		SM-8040602-TP	SCREW		2
22		PS-0300142-KH	PIN		1
23		A1629-535-000	VERTICAL FEED CAM		1
24		SM-8040602-TP	SCREW		2
25		A1630-535-000	VERTICAL FEED ADS.		1
26		A1207-503-000	VERTICAL FEED BALANCE WEIGHT		1
27		SM-8040602-TP	SCREW		2
28		A1612-535-000	FEED BASE GUIDE ROD		1
29		SM-8040402-TP	SCREW		1

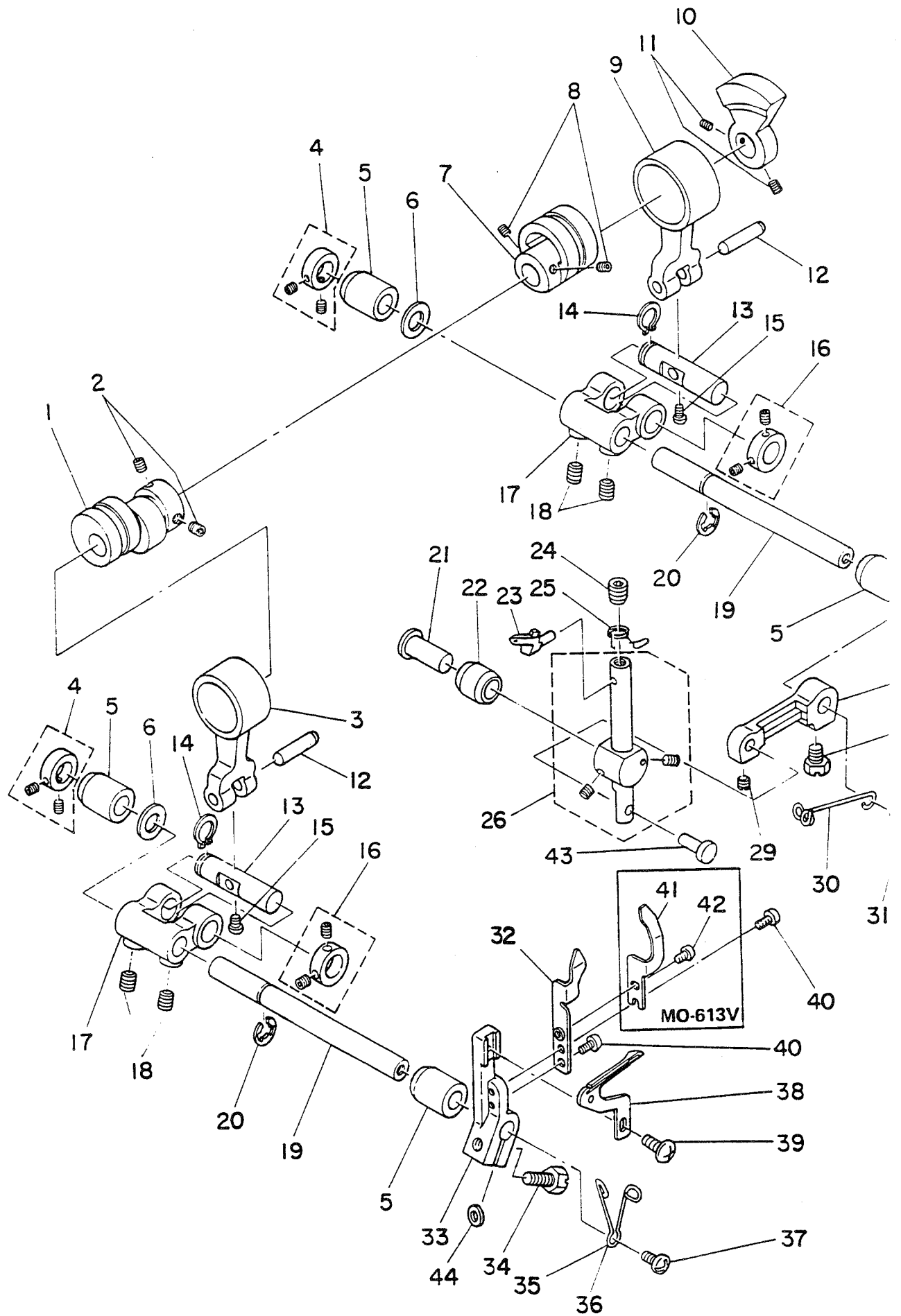
7

3

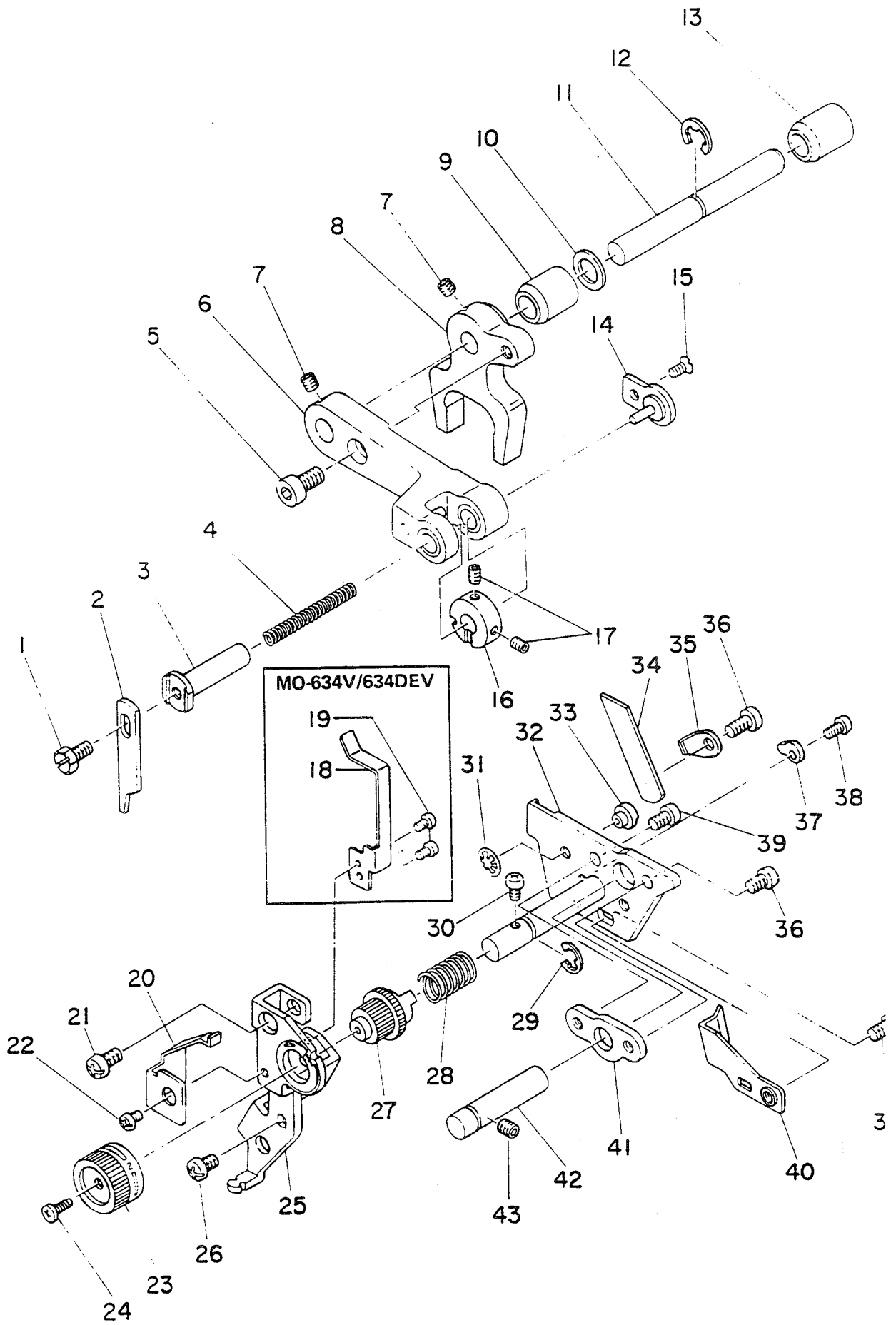
MO-634DEV



Ref. No.	Note	Part No.	Description	E.C	Amt. Req.
1		A1603-634-E00	LABEL (MAIN FEED)		1
2		A1604-634-E00	LABEL (DIF FEED)		1
3		A1601-634-E00	MAIN FEED ADJUSTING KNOB		1
4		A1602-634-E00	DIF. FEED ADJUSTING KNOB		1
5		A1613-534-D00	MAIN FEED ADJUSTING CAM		1
6		SM-5030855-SN	SCREW		2
7		A1614-534-D00	COLLAR		4
8		RE-0400000-KR	E SHAPED RING		6
9		A1619-534-DA0	MAIN FEED ADJUSTING LINK ASM.		1
10		A1625-534-D00	SPRING		1
11		A1610-534-D00	KNOB SETTING PLATE		1
12		SM-5040655-SN	SCREW		2
13		A1611-534-D00	SHAFT PRESSING PLATE		1
14		SM-5030655-SN	SCREW		5
15		A1615-534-D00	DIF. FEED ADJUSTING CAM		1
16		A1620-534-DA0	DIF. FEED ADJUSTING LINK ASM.		1
17		RE-0300000-KR	E SHAPED RING		4
18		A1630-534-D00	MAIN FEED ADJUSTING ARM		1
20		A1636-534-D00	WASHER		2
21		SM-5041055-SN	SCREW		4
23		A1211-534-D00	MAIN SHAFT HOLDER BRACKET		1
24		A1633-534-D00	SPRING		1
25		RE-0500000-KR	E SHAPED RING		7
26		A1635-534-D00	MAIN SHAFT HOLDER		1
27		A1662-534-D00	SHAFT		1
28		A1655-534-D00	DIF. FEED ADJUSTING ARM (C)		1
29		SM-8030402-TP	SCREW		13
30		A1664-534-D00	DIF. FEED SHAFT (B)		1
31		A1660-534-D00	DIF. FEED SHAFT HOLDER		2
32		A1663-534-D00	DIF. FEED SHAFT (A)		1
33		SM-8040402-TP	SCREW		4
34		A1657-534-DA0	DIF. FEED ADJUSTING ARM ASM.		1
35		A1661-534-D00	DIF. FEED ADJUSTING ARM (A)		1
36		A1659-534-D00	SHAFT		1
37		A1653-534-D00	DIF. FEED ADJUSTING LINK (A-1)		1
38		A1654-534-D00	DIF. FEED ADJUSTING LINK (A-2)		1
39		SM-5030655-SP	SCREW		2
40		A2529-335-000	PIN		3
41		A1645-534-D00	MAIN FEED ARM		1
42		A1646-534-D00	BASE SUPPORTING SHAFT		1
43		A1647-534-D00	MAIN FEED SHAFT		1
44		A1641-534-D00	SHAFT		1
45		A1665-534-D00	SHAFT		1
46		A1651-534-DA0	DIF. FEED ARM ASM.		1
47		A1639-534-D00	SHAFT		1
48		A1640-534-D00	MAIN FEED LINK		1
49		A1650-534-D00	DIF. FEED LINK		1
50		A1638-534-D00	MAIN FEED SLIDING BLOCK		1
51		A1637-534-D00	FEED REGULATOR		1
52		A1631-534-D00	FEED REGULATING SHAFT		1
53		SM-8040602-TP	SCREW		4
54		A1617-534-D00	MAIN FEED CAM		1
55		A1616-534-D00	MAIN FEED ROD		1
56		A1618-534-D00	THRUST PLATE		1
57		SM-4030655-SP	SCREW		4
58		A1613-535-000	FEED BASE GUIDE		1
59		SM-4040655-SN	SCREW		1
60		A1627-634-D00	MAIN FEED DOG		1
61		A1625-535-000	FEED BASE ARM		1
62		A1642-534-D00	DIF. FEED DOG		1
63		SM-9040700-SP	SCREW		2
64		A1648-535-000	DIF. FEED SETTING BASE		1
65		SM-8030302-TP	SCREW		1
66		A1639-535-000	DIF. FEED BASE ARM		1
67		A1207-503-000	BALANCE WEIGHT		1
68		A1630-535-000	VERTICAL FEED ADS.		1
69		A1629-535-000	VERTICAL FEED CAM		1
70		A1612-535-000	FEED BASE GUIDE ROD		1
71		PS-0300142-KH	SPRING PIN		1
72		A1618-534-DOA	SCREW		2

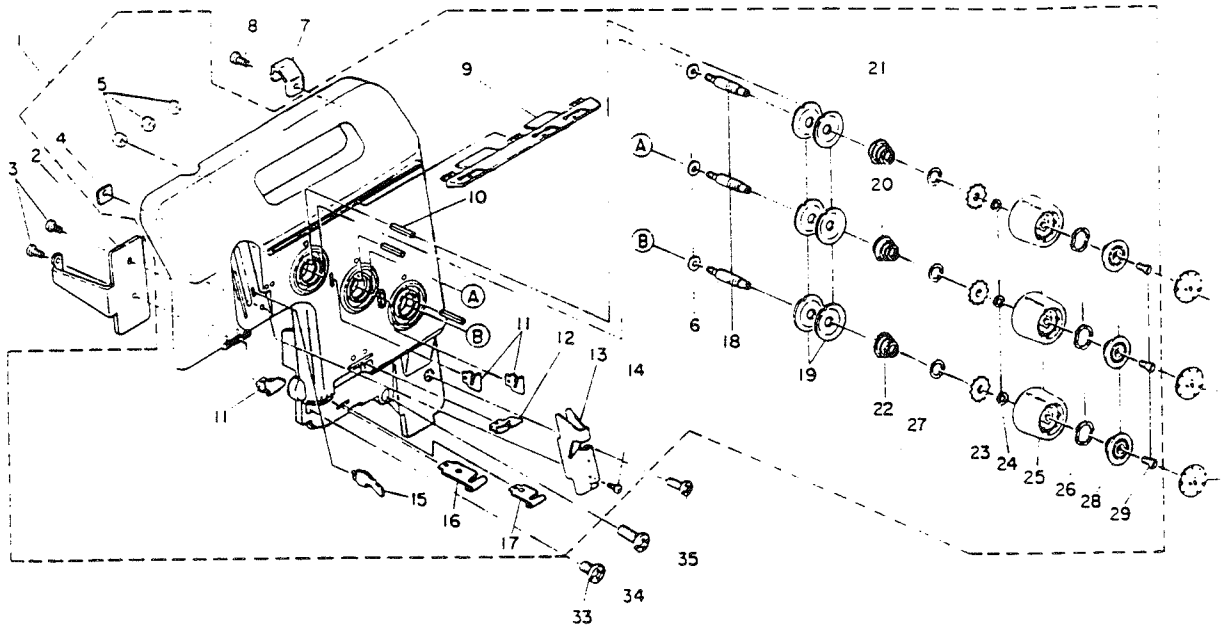


Ref. No.	Note	Part No.	Description	E.C	Amt. Req.
1		A2514-534-000	LOWER LOOPER CAM		1
2		SM-8050602-TP	SCREW		2
3		A2515-534-000	LOWER LOOPER ROD		1
4		A1414-502-0A0	THRUST COLLAR ASM.		2
5		A2112-204-000	BUSHING		4
6		WP-0820516-SP	WASHER		2
7		A2501-534-000	UPPER LOOPER CAM		1
8		SM-8040402-TP	SCREW		2
9		A2502-534-000	UPPER LOOPER ROD		1
10		A2550-534-000	LOOPER BALANCER		1
11		SM-8040402-TP	SCREW		2
12		A2503-534-000	LOOPER ROD SHAFT		2
13		A2504-534-000	LOOPER DRIVING SHAFT		2
14		A2596-534-000	LOOPER DRIVING STOPPER RING		2
15		SM-4030455-SP	SCREW		2
16		A2595-534-0A0	LOOPER DRIVING THRUST COLLAR ASM.		2
17		A2505-534-000A	LOOPER DRIVING ARM		2
18		SM-8050602-TP	SCREW		4
19		A2521-534-000	LOOPER SHAFT		2
20		RE-0600000-K0	E-RING		2
21		A2531-534-000	UPPER LOOPER GUIDE SHAFT		1
22		A1675-335-000	BUSHING		1
23		A2512-234-000	UPPER LOOPER		1
24		SM-8050602-TP	SCREW		1
25		A2521-513-0A0	UPPER LOOPER THREAD GUIDE		1
26		A2530-335-0AS	UPPER LOOPER SLIDE STUD ASM.		1
27		A2510-334-000	UPPER LOOPER OSC. ARM CONNECT		1
28		SM-9050850-SP	SCREW		1
29		SM-8040402-TP	SCREW		1
30		A2519-634-0A0	UPPER LOOPER THREAD TAKE-UP		1
31		SM-4040655-SN	SCREW		1
32		A2536-535-000	MOVABLE NEEDLE GUARD (BACK)		1
33		A2517-535-000	LOWER LOOPER SUPPORT ARM		1
34		SM-9051400-SN	SCREW		1
35	613V	A2520-534-0A0	LOWER LOOPER THREAD TAKE-UP		1
36	634V/634DEV	A2520-634-0A0	LOWER LOOPER THREAD TAKE-UP		1
37		SM-4040655-SN	SCREW		1
38		A2526-335-00S	LOWER LOOPER		1
39		SM-5030655-SN	SCREW		1
40		SM-4030655-SP	SCREW		2
41	613V	A2535-535-000	MOVABLE NEEDLE GUARD (FRONT)		1
42	613V	SM-4030455-SP	SCREW		1
43		A2529-335-000	UPPER LOOPER ARM PIN		1
44		A2518-534-000	SPACER		1



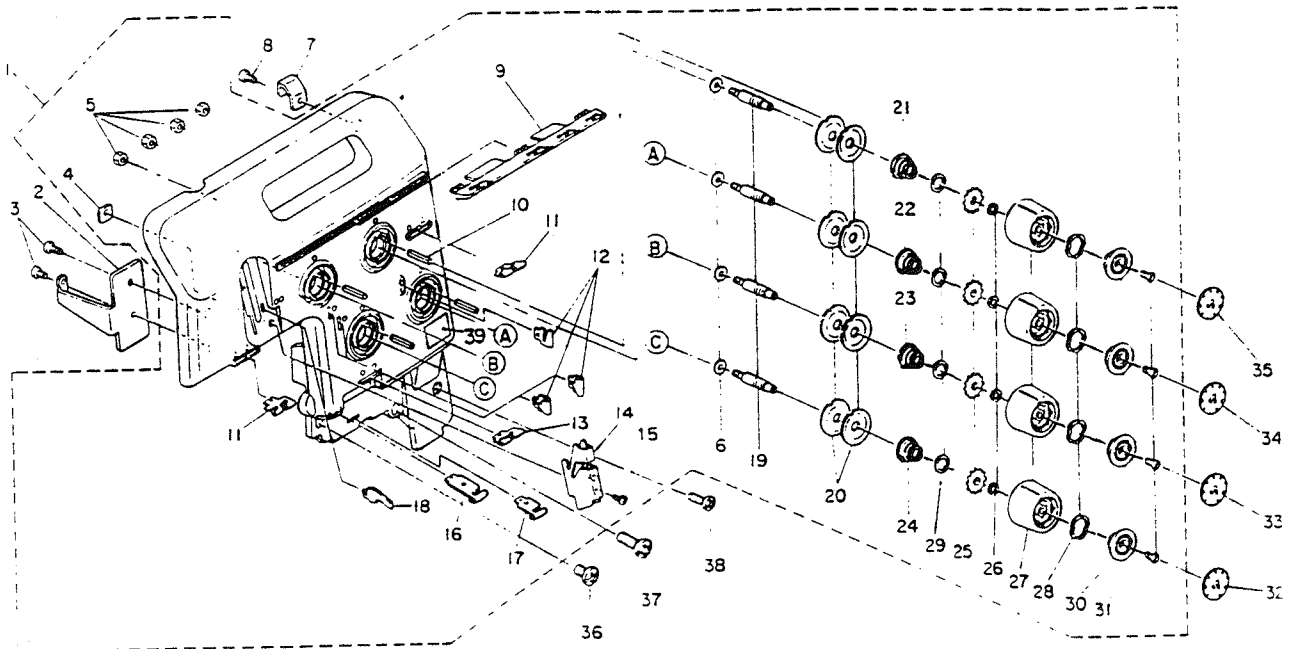
Ref. No.	Note	Part No.	Description	E.C	Amt. Req.
1		SM-9040700-SP	SCREW		1
2		A4142-335-000	UPPER KNIFE		1
3		A4103-535-000	UPPER KNIFE HOLDER		1
4		A4106-535-000	KNIFE PRESSER SPRING		1
5		SM-6051002-TP	SCREW		1
6		A4101-503-0A0A	UPPER KNIFE DRIVING ARM ASM.		1
7		SM-8040402-TP	SCREW		2
8		A4102-535-000	UPPER KNIFE FORKED ARM		1
9		A2112-204-000	BUSHING		1
10		WP-0820516-SP	WASHER		1
11		A4108-535-000	UPPER KNIFE SHAFT		1
12		RE-0600000-K0	E-RING		1
13		A2112-204-000	BUSHING		1
14		A4107-502-0A0	KNIFE SPRING SUPPORTING PLATE		1
15		SM-1030601-SP	SCREW		1
16		A4105-776-000	UPPER KNIFE TURNING KNOB		1
17		SM-8030402-TP	SCREW		2
18	634V/634DEV	A2535-534-000	NEEDLE SUPPORT		1
19	634V/634DEV	SM-4030655-SP	SCREW		2
20		A4140-535-000	L. KNIFE ADJ. CAM PRESSER SPRING		1
21		SM-4040655-SN	SCREW		1
22		SM-4030455-SP	SCREW		1
23		A4130-535-000	LOWER KNIFE ADJ. KNOB		1
24		ST-5030851-SN	TAPING SCREW		1
25		A4131-535-0A0	LOWER KNIFE ADJ. SUPPORT		1
26		SM-4040655-SN	SCREW		1
27		A4128-535-000	LOWER KNIFE ADJ. CAM		1
28		A4136-335-000	LOWER KNIFE HOLDER SPRING		1
29		RE-0500000-K0	E-RING		1
30		SM-4030601-SN	SCREW		1
31		A3205-555-A00	KNIFE ANGLE ADJ. SUPPORT STOPPER		1
32		A4121-535-0A0	LOWER KNIFE HOLDER ASM.		1
33		A4149-535-000	LOWER KNIFE ANGLE ADJ. SUPPORT		1
34		A4145-335-000	LOWER KNIFE		1
35		A4123-335-000	LOWER KNIFE PRESSER PLATE		1
36		SM-4040655-SP	SCREW		2
37		A4124-335-000	LOWER KNIFE SUPPORTING PLATE		1
38		SM-4030655-SP	SCREW		1
39		SM-4040655-SP	SCREW		1
40		A4147-535-000	CHIP GUARD COVER STOPPER		1
41		A4139-535-000	LOWER KNIFE HOLDER SUPPORT		1
42		A4125-502-000	LOWER KNIFE HOLDER SHAFT		1
43		SM-8040402-TP	SCREW		1

MO-613V

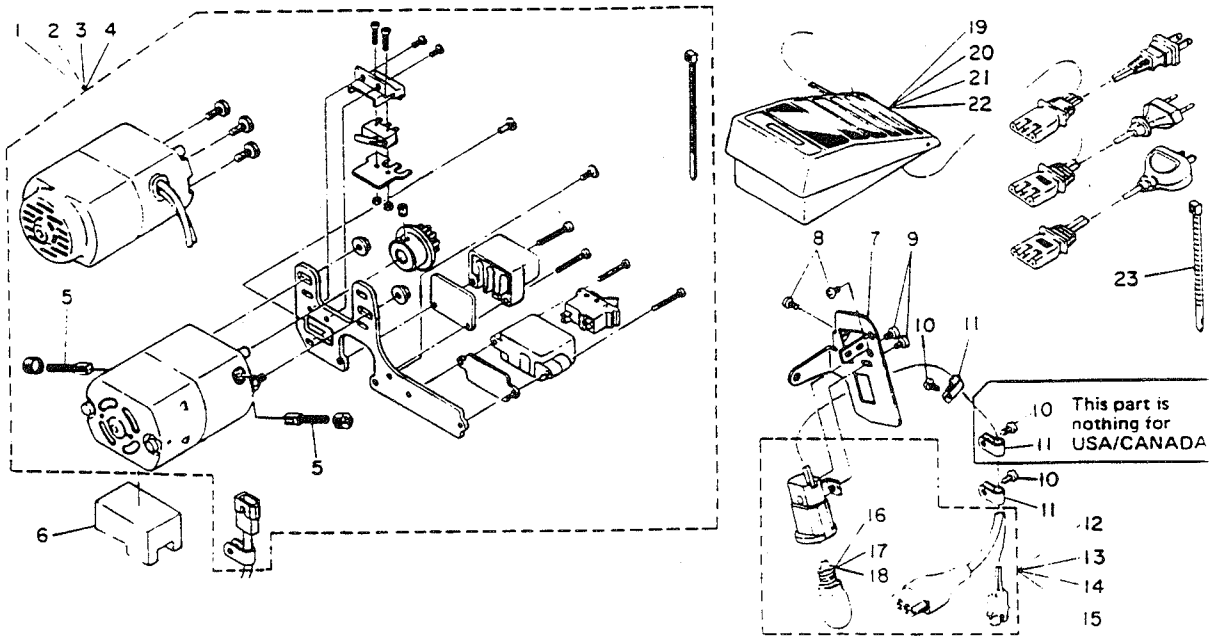


Ref. No.	Note	Part No.	Description	E.C	Am Rec
1		A3101-613-0A0	FRONT COVER ASM.		1
2		A3154-634-000	FRONT COVER INSTALLATION HOLDER		1
3		ST-5031051-SN	TAPING SCREW		2
4		A3151-535-000	Q-NUT		1
5		A3103-502-000	NUT		3
6		WP-0380516-SD	WASHER		3
7		A3158-634-000	FRONT COVER FIX PLATE (A)		1
8		ST-5031051-SN	TAPING SCREW		1
9		A3107-613-0B0	1 ST THREAD GUIDE		1
10		PS-0200202-KH	PIN		3
11		A3110-202-000	THREAD GUIDE		3
12		A3157-535-000	THREAD GUIDE (A)		1
13		A3119-503-000	NEEDLE THREAD TAKE-UP COVER		1
14		SM-5030855-SN	SCREW		1
15		A3130-634-000	LOCK NEEDLE THREAD GUIDE		1
16		A3157-634-0A0	THREAD GUIDE (C) (UP. LOOPER)		1
17		A3157-634-0AA	THREAD GUIDE (D) (LOWER LOOPER)		1
18		A3102-202-000	NEEDLE THREAD TENSION SHAFT		3
19		B3126-352-000	TENSION DISC		6
20		A3104-334-000	UP. LOOP. THREAD TAKE-UP SPRING		1
21		A3160-535-000	NEEDLE THREAD TAKE-UP SPRING		1
22		A3161-535-000	LOWER LOOP. THREAD TAKE-UP SPRING		1
23		A3134-634-000	TENSION NUT		3
24		WP-0510516-SD	WASHER		3
25		A3104-503-000	THREAD ADJUSTING DIAL		3
26		A3106-202-000	WAVED WASHER		3
27		A3158-535-000	SPACER		3
28		A3105-535-000	DIAL PRESSER PLATE		3
29		A3109-534-000	SCREW		3
30		A3113-503-000	GRADUATION SEAL (LOWER LOOPER)		1
31		A3112-503-000	GRADUATION SEAL (UPPER LOOPER)		1
32		A3111-613-000	GRADUATION SEAL (NEEDLE THREAD)		1
33		SM-5040655-SN	SCREW		1
34		SM-5041055-SN	SCREW		1
35		SM-5030855-SN	SCREW		1

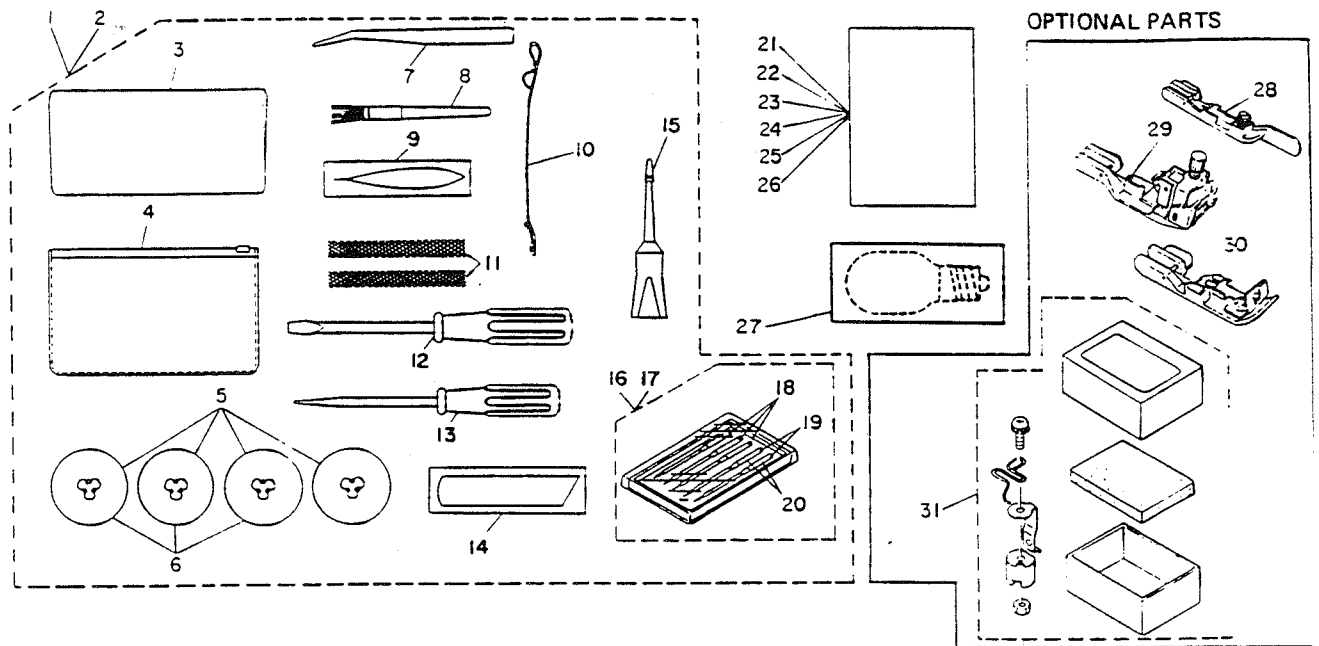
MO-634V/634DEV



Ref. No.	Note	Part No.	Description	E.C	Amt. Req.
1		A3101-634-0A0	FRONT COVER ASM.		1
2		A3154-634-000	FRONT COVER INSTALLATION HOLDER		1
3		ST-5031051-SN	TAPING SCREW		2
4		A3151-535-000	Q-NUT		1
5		A3103-502-000	NUT		4
6		WP-0380516-SD	WASHER		4
7		A3158-634-000	FRONT COVER FIX PLATE (A)		1
8		ST-5031051-SN	TAPING SCREW		1
9		A3107-634-0B0	1 ST THREAD GUIDE		1
10		PS-0200202-KH	PIN		4
11		A3118-204-000	NEEDLE THREAD GUIDE		2
12		A3110-202-000	THREAD GUIDE (B)		3
13		A3157-535-000	THREAD GUIDE (A)		1
14		A3119-634-0A0	NEEDLE THREAD TAKE-UP COVER		1
15		SM-5030855-SN	SCREW		1
16		A3157-634-0A0	THREAD GUIDE (C) (UPPER LOOPER)		1
17		A3157-634-0AA	THREAD GUIDE (D) (LOWER LOOPER)		1
18		A3130-634-000	NEEDLE THREAD GUIDE PLATE		1
19		A3102-202-000	NEEDLE THREAD TENSION SHAFT		4
20		B3126-352-000	TENSION DISC		8
21		A3108-334-000	RIGHT NEEDLE THREAD TAKE-UP SPRING		1
22		A3161-535-000	LOWER LOOPER THREAD TAKE-UP SPRING		1
23		A3508-104-000	LEFT NEEDLE THRAEAD TAKE-UP SPRING		1
24		A3104-334-000	UP. LOOP. THREAD TAKE-UP SPRING		1
25		A3134-634-000	TENSION NUT		4
26		WP-0510516-SD	WASHER		4
27		A3104-503-000	THREAD ADJUSTING DIAL		4
28		A3106-202-000	WAVED WASHER		4
29		A3158-535-000	SPACER		4
30		A3105-535-000	DIAL PRESSER PLATE		4
31		A3109-534-000	SCREW		4
32		A3112-634-000	GRADUATION SEAL (UPPER LOOPER)		1
33		A3114-634-000	GRADUATION SEAL (LEFT-HAND NEEDLE)		1
34		A3113-634-000	GRADUATION SEAL (LOWER LOOPER)		1
35		A3111-634-000	GRADUATION SEAL (RIGHT-HAND NEEDLE)		1
36		SM-5040655-SN	SCREW		1
37		SM-5041055-SN	SCREW		1
38		SM-5030855-SN	SCREW		1
39	634V/634DEV	A1171-634-000	SAFETY SWITCH SEAL		1



Ref. No.	Note	Part No.	Description	E.C	Am Re
1	613V/634V	A6301-634-HA0	MOTOR ASM. (SAUDI ARABIA)		1
2		A6301-634-DA0A	MOTOR ASM. (USA/CANADA)		1
3		A6301-634-FA0	MOTOR ASM. (EUROPE)		1
4		A6301-634-GA0	MOTOR ASM. (AUS.)		1
5		A6090-534-000	CARBON BRUSH (USA/CANADA)		2
6		A6003-535-000	MOTOR PROTECTOR		1
7		A6007-634-000	LAMP HOLDER SUPPORT		1
8		SM-4040655-SN	SCREW		2
9		SM-5030555-SC	SCREW		2
10		SM-4040655-SN	SCREW		3
11		HX-0015000-0B	CORD PRESSER		2
12	613V/634V	A6006-634-0A0	LAMP HOLDER ASM. (SAUDI ARABIA)		1
13		A6006-634-01D	LAMP HOLDER ASM. (USA/CANADA)		1
14		A6006-634-0AB	LAMP HOLDER ASM. (EUROPE)		1
15		A6006-634-0AC	LAMP HOLDER ASM. (AUS)		1
16		A6013-535-000	LAMP (USA/CANADA)		1
17		A6013-534-C00	LAMP (EUROPE/AUS)		1
18	613V/634V	A6007-134-E00	LAMP (SAUDI ARABIA)		1
19	613V/634V	A6401-634-H00	FOOT CONT. (SAUDI ARABIA)		1
20		A6401-634-DA0A	FOOT CONT. ASM. (USA/CANADA)		1
21		A6401-634-FA0A	FOOT CONT. ASM. (EUROPE)		1
22		A6401-634-GA0A	FOOT CONT. ASM. (AUS)		1
23		EA-9500B02-00	CABLE CLIP)		2



Ref. No.	Note	Part No.	Description	Amt. Req.
1	613V	A9121-613-0A0	ACCESSORY BAG ASM.	1
2	634V/634DEV	A9121-634-0A0	ACCESSORY BAG ASM.	1
3		A9102-634-000	VINYL COVER	1
4		A9121-503-000	ACCESSORIES BAG WITH ZIPPER	1
5	634V/634DEV	A1150-570-00A	SPOOL RETAINER	4
6	613V	A1150-570-00A	SPOOL RETAINER	3
7		A9109-202-000	TWEEZERS	1
8		A9105-334-000	CLEANING BRUSH	1
9		A9107-202-0AA	NEEDLE THREADER WITH PACK	1
10		A9110-335-000	LOOPER THREADER	1
11		A9116-335-000	NET	2
12		A9103-102-000	SCREW-DRIVER (MEDIUM)	1
13		A9107-102-000	SCREW-DRIVER (SMALL)	1
14		A4145-534-0A0	LOWER KNIFE WITH PACK	1
15		A9104-102-0A0	OILER FEEDER	1
16	613V	A9117-503-0A0	NEEDLE SET WITH CASE	1
17	634V/634DEV	A9117-634-0A0	NEEDLE SET WITH CASE	1
18		MHA-100B1100	NEEDLE HAx1 #11	3
19	613V	MHA-100B1400	NEEDLE HAx1 #14	2
20	634V/634DEV	MJL-200B1100	NEEDLE JLx2 #11	2
21	613V	A9150-613-V0A	INSTRUCTION MANUAL (ENG. SPA.)	1
22	613V	A9150-613-V0B	INSTRUCTION MANUAL (ENG. FRA. GAR.)	1
23	613V	A9150-613-V0C	INSTRUCTION MANUAL (CZECH. POL. HUNG.)	1
24	634V/634DEV	A9150-634-EVA	INSTRUCTION MANUAL (ENG. SPA.)	1
25	634V/634DEV	A9150-634-EVB	INSTRUCTION MANUAL (ENG. FRA. GER.)	1
26	634V/634DEV	A9150-634-EVC	INSTRUCTION MANUAL (CZECH. POL. HUNG.)	1
27	613V/634V	A6013-634-HA0	LAMP ASM. (SAUDI ARABIA)	1
28	OPTION	A1523-634-0C0A	BLIND STITCH PRESSER FOOT ASM. SET	-
29	OPTION	A9113-634-0C0A	ELASTIC TAPE PRESSER FOOT ASM. SET	-
30	OPTION	A1530-334-DC0A	CORDING PRESSER FOOT ASM. SET	-
31	OPTION	A9130-335-0BS	2/3 THREAD SELECTOR ATT. MAS. ASM.	-

JUKI

JUKI CORPORATION

