

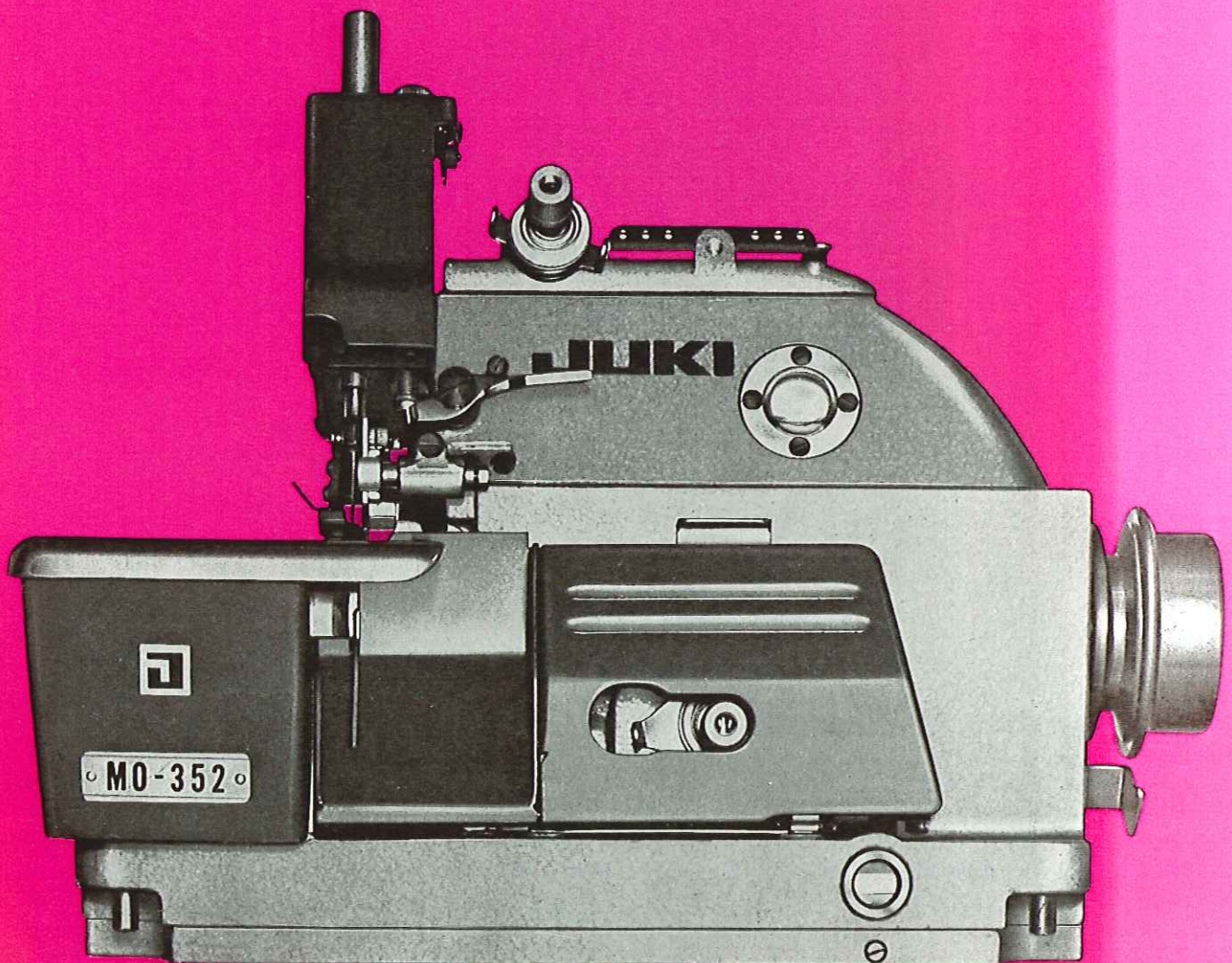
JUKI®

model MO-352 · 353 · 354 · 355

High Speed Straight Needle Overedge
Stitching Industrial Sewing Machine

PARTS * BOOK

REVISION No. 7 (1976. 1)



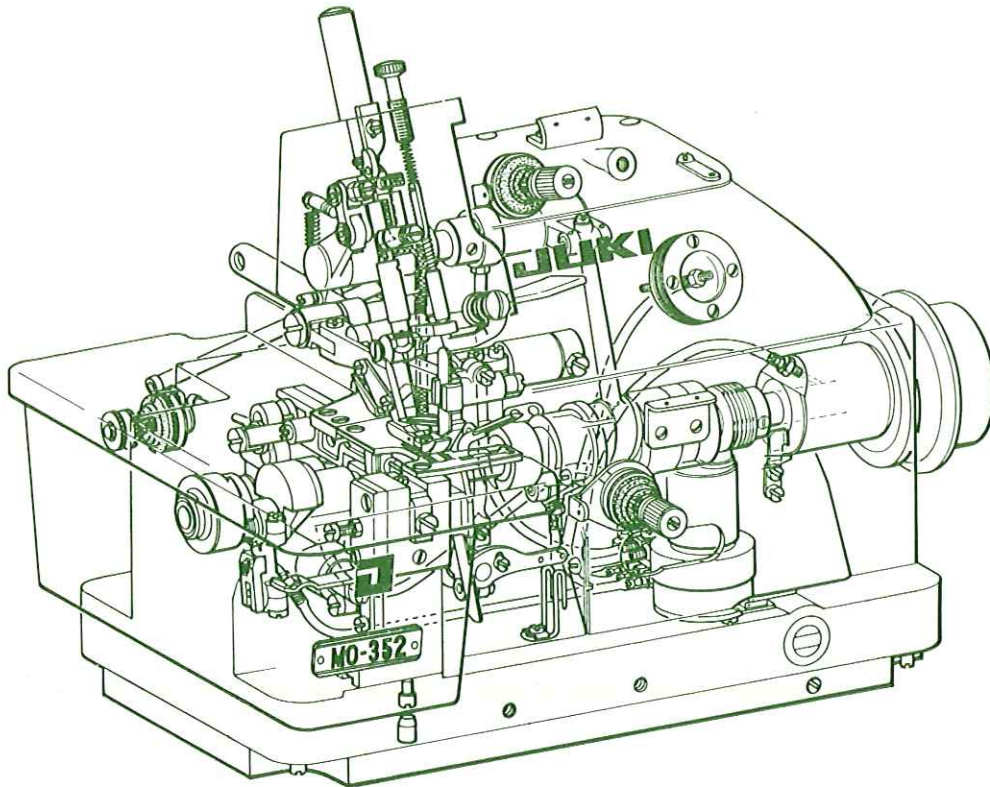
TOKYO JUKI INDUSTRIAL CO., LTD.

HOW TO MAKE USE OF THIS PARTS BOOK

1. This is a consolidated PARTS LIST of Model MO-352-353-354-355 and their subclasses.
2. This book is divided, as a principle, into various sections according to the functions of parts and also contains illustrations to assist you visually.
For example, if you want some parts for the UPPER KNIFE COMPONENTS, just refer to the section on "UPPER KNIFE COMPONENTS" etc.
3. The figures on the illustrations indicate the corresponding numbers on the BOOK.
4. On bits and pieces parts such as screws, etc. the illustration shows only a representative one and so for the required quantity of these parts, refer to the BOOK.
5. Parts marked with * on the "Ref. No." column, mean these parts are one complete assembly unit.
6. The parts under "Amt. Req." column circled by ○ are parts included in the one assembly unit which is marked with * just above these parts.
7. When placing your order, please specify your order by the assembly unit number marked with * under the "Ref. No." column.

FOR EXAMPLE

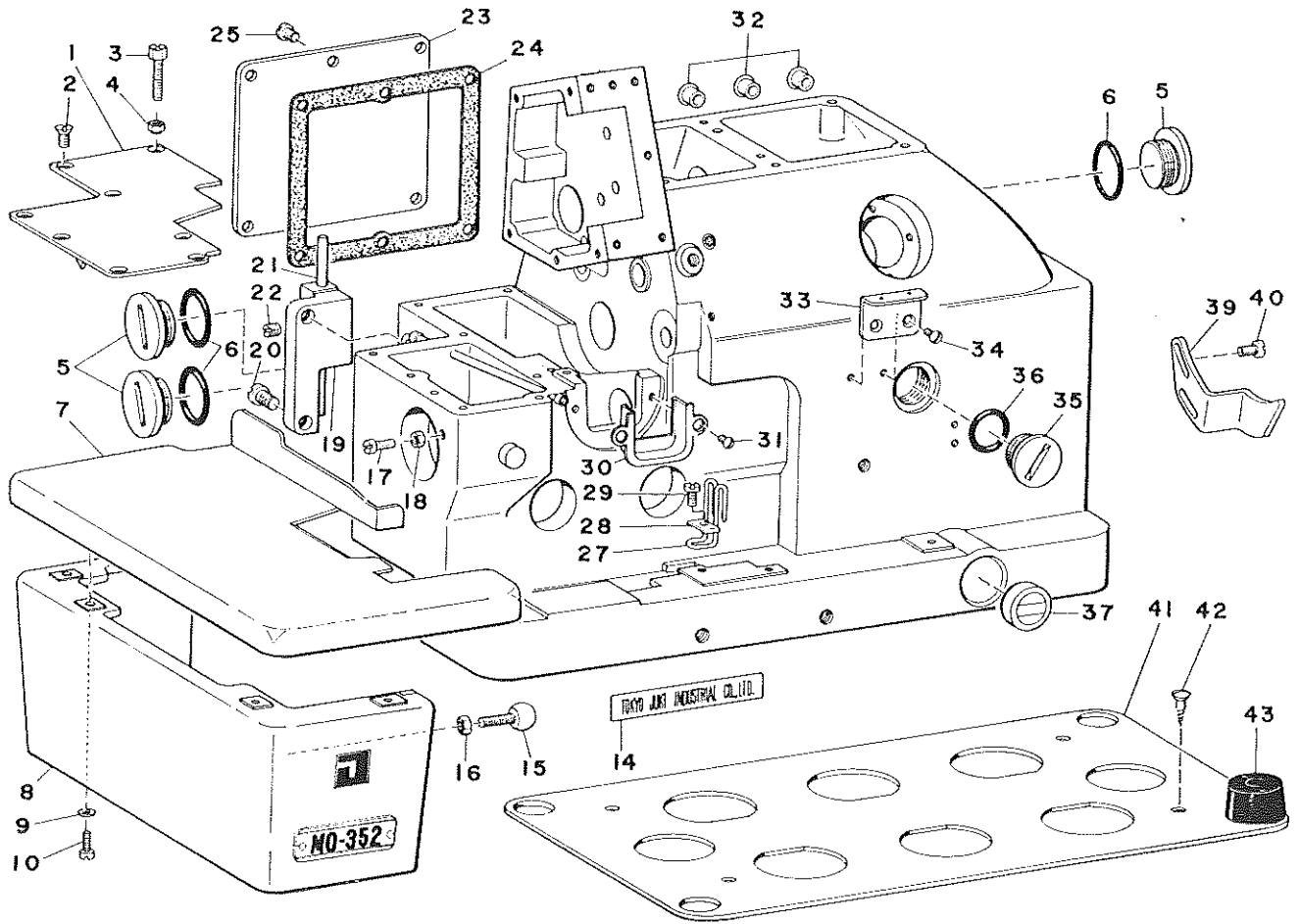
Ref. No.	Part No.	Description	Amt. Req.	
*1	B-1111-111-0A0	name of part	1	Means one assembly unit
2	B-1111-111-000	" "	①	Means this is included in the above B-1111-111-0A0 assembly unit. (This part can be sold as a single unit)



CONTENTS

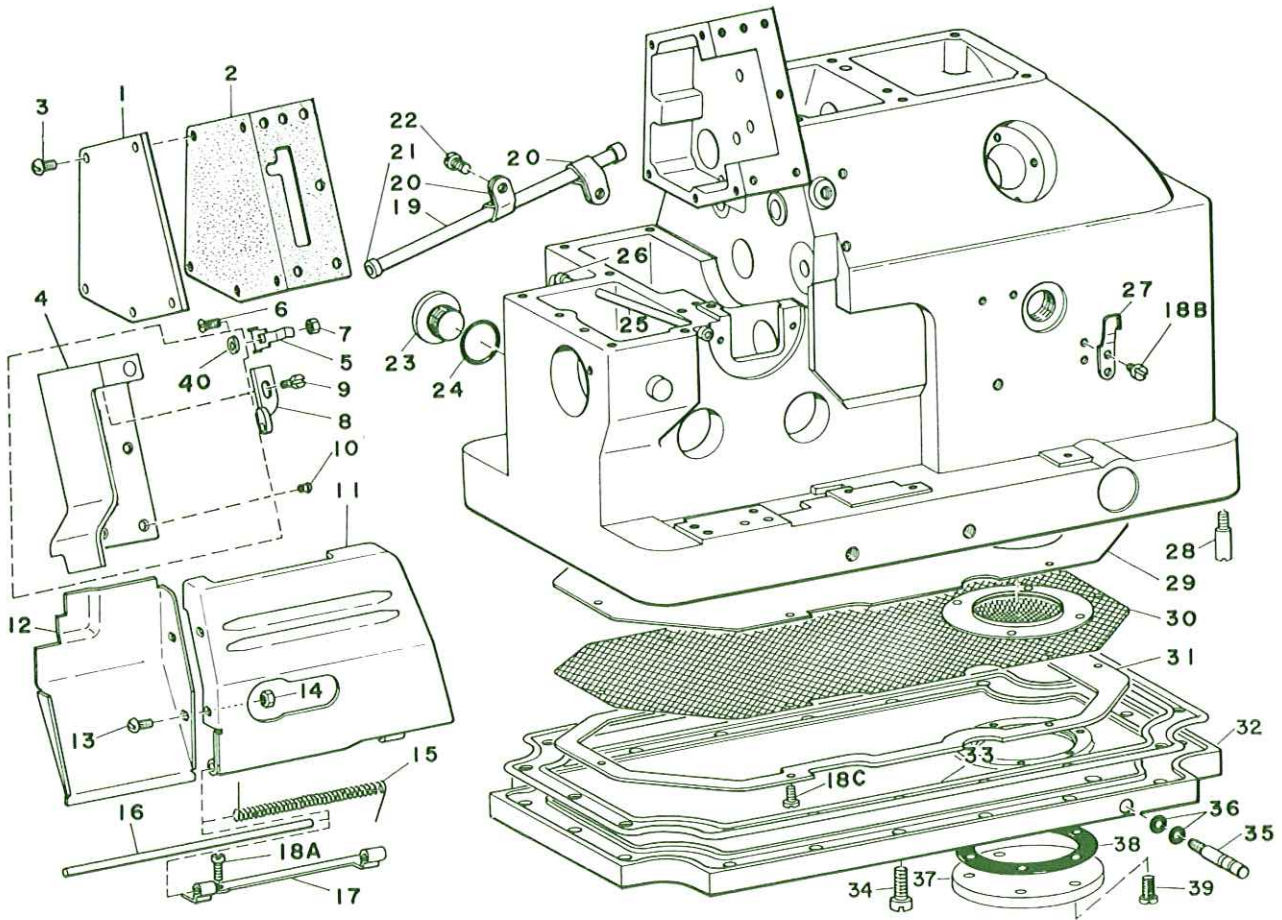
1. FRAME COMPONENTS (1)	1	11. LOWER KNIFE COMPONENTS	11
2. FRAME COMPONENTS (2)	2	12. EXCLUSIVE PARTS FOR MO-352-353-354-355 AND	
3. CRANKSHAFT COMPONENTS	3	THEIR SUBCLASSES	12
4. NEEDLE BAR COMPONENTS	4	1) MO-352-7	12
5. FOOT LIFTER COMPONENTS	5	2) MO-352-15	12
6. FEED MECHANISM COMPONENTS	6	3) MO-352-17	13
7. UPPER & LOWER LOOPER DRIVING PARTS		4) MO-353	13
COMPONENTS	7	5) MO-354	13
8. THREAD TENSION COMPONENTS	8	6) MO-354-7	14
9. OIL LUBRICATION MECHANISM COMPONENTS	9	7) MO-355	14
10. UPPER KNIFE COMPONENTS	10	8) MO-355-14	15
		13. NUMERICAL INDEX OF PARTS	16

1. FRAME COMPONENTS (1)



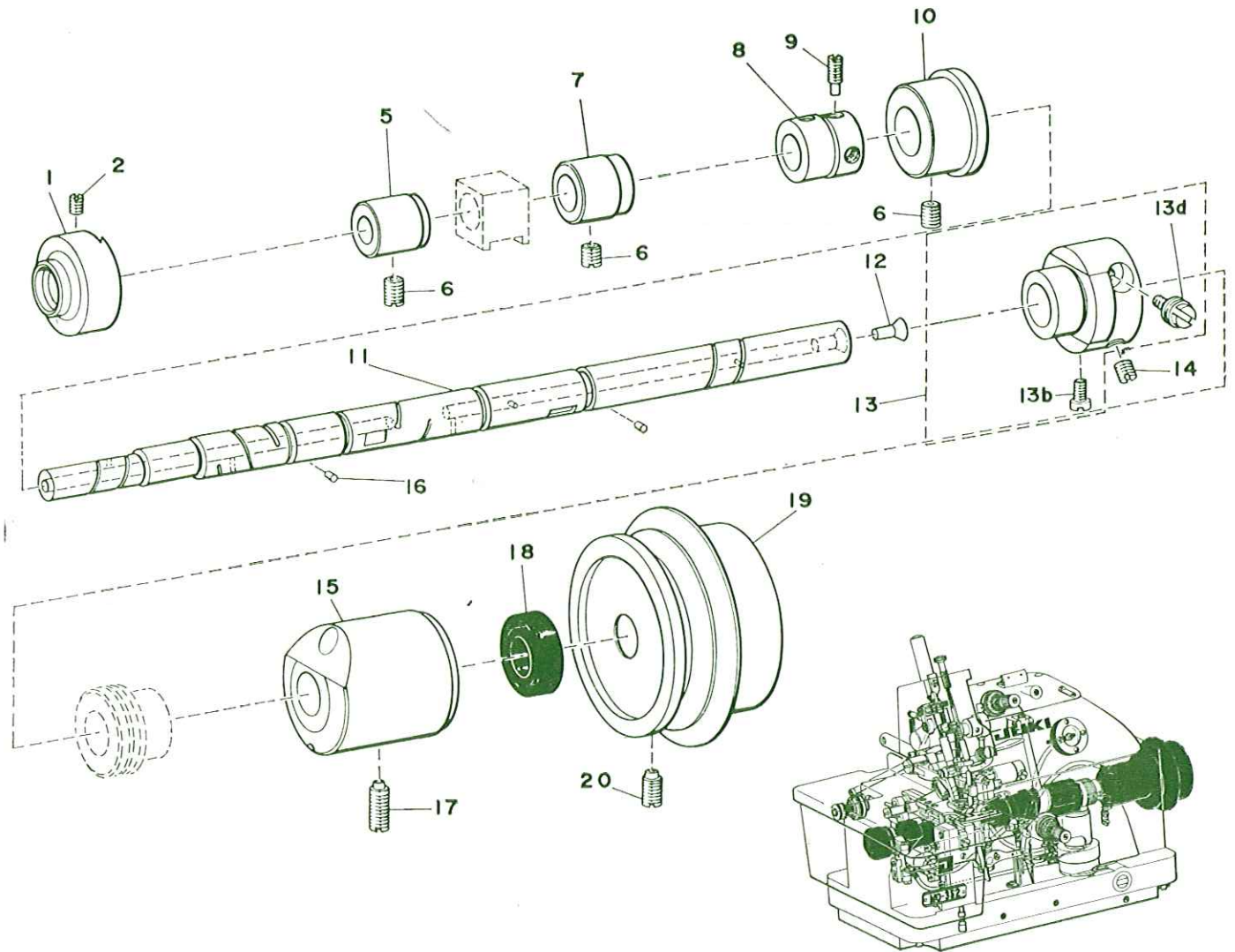
Ref. No.	Part No.	Description	Amt. Req.	Ref. No.	Part No.	Description	Amt. Req.
1	B-1121-352-0A0	Frame feed cover	1	27	B-2519-352-000	Upper looper thread guide	1
2	SS-1110840-SP	Screw	7	28	B-2523-352-000	. . . Clamp	1
3	SS-9111820-SP	Stop screw, for presser foot	1	29	SS-4090610-SP	. . . Screw	1
4	B-1527-352-000	. . . Nut	1	30	B-1134-352-000	Frame feed cover front	1
5	B-1140-352-000	. . . Plug screw, large	3	31	SS-2090620-SP	. . . Screw	2
6	RO-2201801-00	. . . Rubber ring	3	32	B-1158-581-000	Plug	3
7	B-1117-352-000A	Cloth plate	1	33	B-3106-352-000	Upper looper thread eyelet	1
8	B-1118-352-000A	. . . Frame	1	34	SS-2090510-SP	. . . Screw	2
9	WP-0371016-SD	Washer	4	35	B-1132-352-000	Plug screw, small	1
10	SS-7091110-SP	. . . Screw	4	36	RO-1721801-00	. . . Rubber ring	1
14	B-1159-041-000	Medallion	1	37	B-1135-352-000	Oil sight gauge	1
15	B-1120-352-000	Cloth plate frame ball stud	1	39	B-1138-352-000	Belt guard	1
16	NS-6120310-SP	. . . Nut	1	40	SS-7110820-SP	. . . Screw	2
17	SS-6091210-SP	Cloth plate frame stop screw	1	*41	B-1104-352-0A0	Frame supporting base asm.	1
18	NS-6090310-SP	. . . Nut	1	43	B-1105-352-000	Vibration-preventing rubber	④
19	B-1143-352-000	Cloth plate frame hinge holder	1	42	SK-1382500-SC	. . . Set screw	4
20	SS-7151120-SP	. . . Screw	2				
21	B-1119-352-000	Cloth plate frame hinge stud	1				
22	SS-8110510-SP	. . . Screw	1				
23	B-1130-352-000	Frame rear cover	1				
24	B-1131-352-000	. . . Gasket	1				
25	SS-7110910-SP	. . . Screw	6				

2. FRAME COMPONENTS (2)



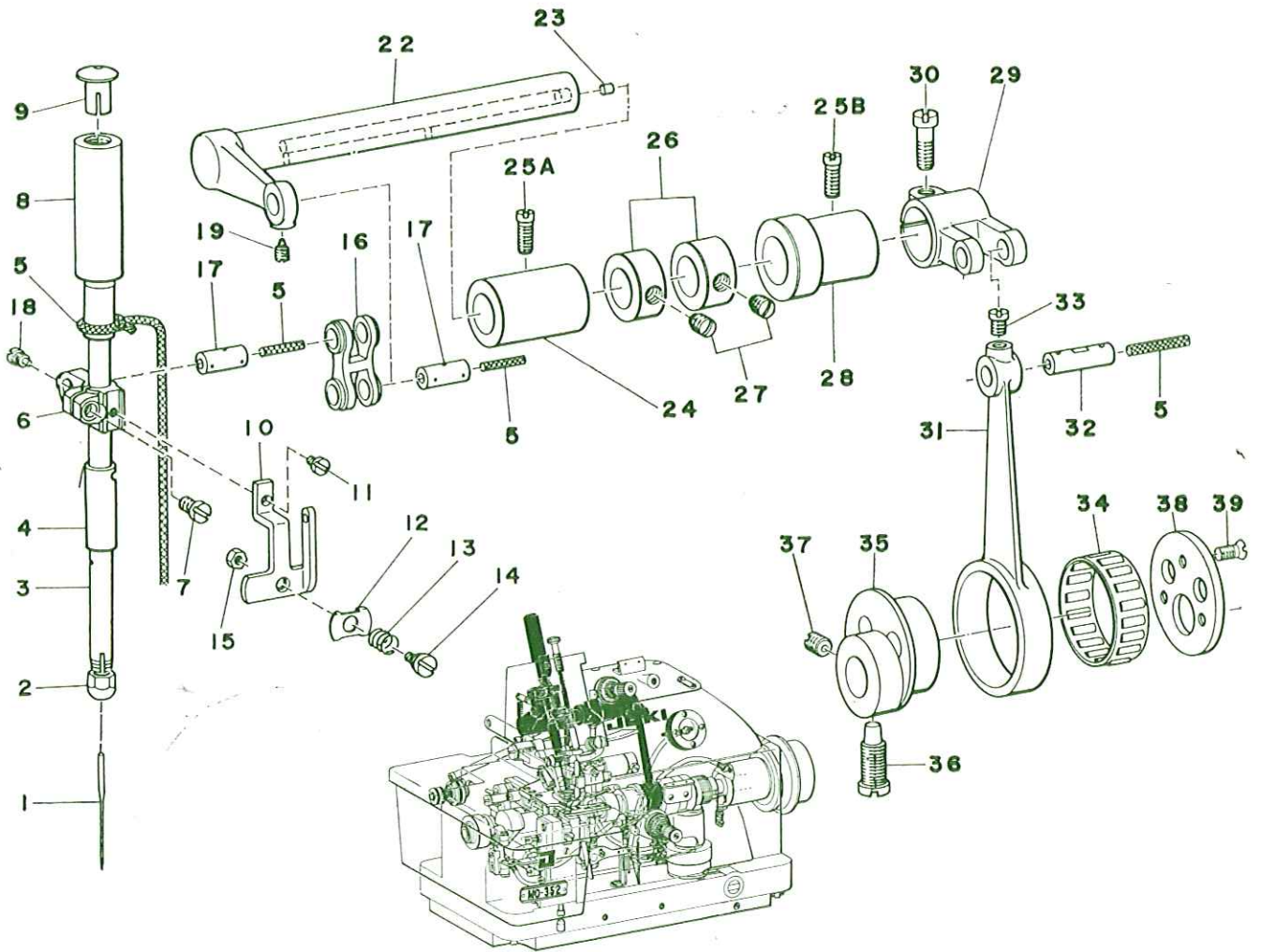
Ref. No.	Part No.	Description	Amt. Req.	Ref. No.	Part No.	Description	Amt. Req.
1	B-1128-352-000	Frame side cover	1	25	B-3115-352-000	Lower looper thread guide tube, intermediate	1
2	B-1129-352-000	. . . Gasket	1	26	B-3116-352-000	. . . Cap	2
3	SS-5110740-TP	. . . Screw	5	27	B-1116-352-000	Looper cover stop	1
*4	B-1123-352-0A0	Face plate cover assembly	1	18B	SS-4090610-SP	. . . Screw	2
5	B-1127-352-000	Face plate cover stop spring	1	28	B-1107-352-000	Vibration-proof hinge screw	4
40	WP-0371026-SD	. . . Washer	1	29	B-3535-352-000	Filter paper	1
6	B-1142-352-000	. . . Screw	1	30	B-3510-352-0A0	Filter screen assembly	1
7	NS-6090310-SP	. . . Nut	1	31	B-3509-352-000	Filter screen frame	1
8	B-1423-352-000	Needle thread eyelet	1	18C	SS-4090610-SP	. . . Screw	6
9	SS-7090910-SP	. . . Screw	1	32	B-1102-352-000	Frame bottom plate	1
10	SS-2090550-TP	Screw, for face plate hinge	5	33	B-1103-352-000	. . . Gasket	1
11	B-1108-352-0A0	Looper cover assembly	1	34	SS-6151440-SP	. . . Screw	18
12	B-1110-352-000	Chip guard cover	1	35	B-3518-352-000	Oil drain screw	1
13	SS-5090610-SP	. . . Screw	2	36	RO-0291801-00	Rubber ring	2
14	NS-6090310-SP	. . . Nut	2	37	B-1147-352-000	Cover, for frame bottom plate	1
15	B-1115-352-000	Looper cover spring	1	38	B-1148-352-000	. . . Gasket	1
16	B-1113-352-000	Looper cover hinge pin	1	39	SS-7621040-SP	. . . Screw	5
17	B-1111-352-000	Looper cover hinge bracket	1				
18A	SS-4090610-SP	. . . Screw	2				
19	B-3112-352-000	Lower looper thread guide tube	1				
20	B-3113-352-000	. . . Holder	2				
21	B-2418-019-000	. . . Bushing	2				
22	SS-4110910-TP	. . . Screw	2				
23	B-1132-352-000	Plug screw	1				
24	RO-1721801-00	. . . Gasket	1				

3. CRANKSHAFT COMPONENTS



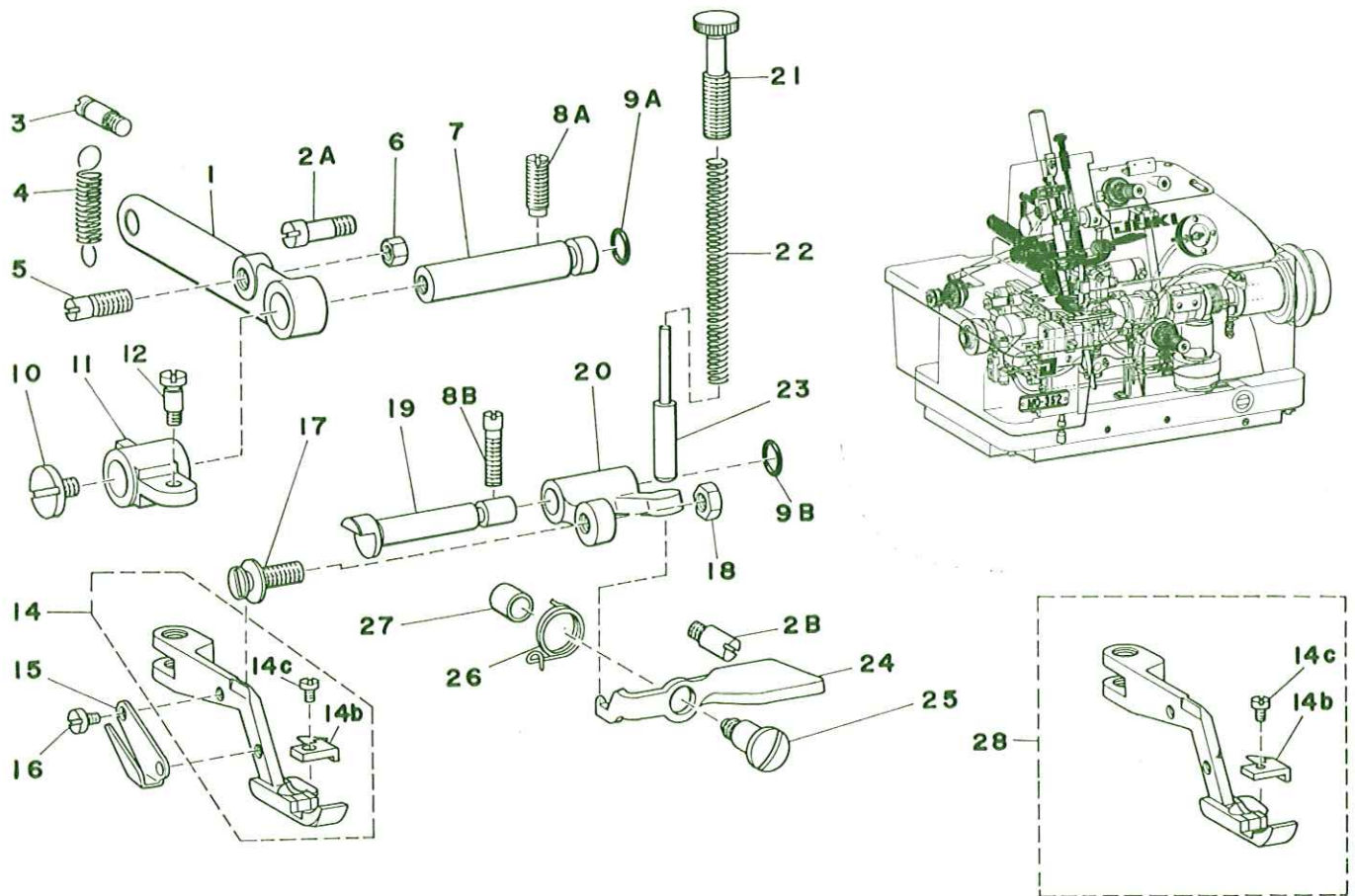
Ref. No.	Part No.	Description	Amt. Req.
1	B-1212-352-000	Crankshaft bushing (E)	1
2	SS-8110410-TP	. . . Screw	1
5	B-1211-352-000	Crankshaft bushing (D)	1
6	SS-8150710-SP	. . . Screw for (B), (C), (D)	3
7	B-1210-352-000	Crankshaft bushing (C)	1
8	B-4102-352-000	Upper knife driving eccentric	1
9	SS-8150710-SP	. . . Screw	2
10	B-1209-352-000	Crankshaft bushing (B)	1
11	B-1201-357-A00	Crankshaft	1
12	B-1202-352-000	. . . Oil seal plug	1
*13	B-1602-352-0A0	Feed eccentric regulator assembly	1
13b	SS-7110740-TL	. . . Screw	①
13d	B-1604-352-000	. . . Adjusting screw	①
14	SS-8150710-SP	. . . Screw	2
15	B-1205-352-000	Crankshaft bushing (A)	1
16	TA-0180401-M0	Oil seal plug	2
17	SS-8151550-SP	. . . Screw	1
18	B-1208-352-000	. . . Oil seal ring	1
19	B-1203-352-000	Hand wheel	1
20	SS-8151150-SP	. . . Screw	2

4. NEEDLE BAR COMPONENTS



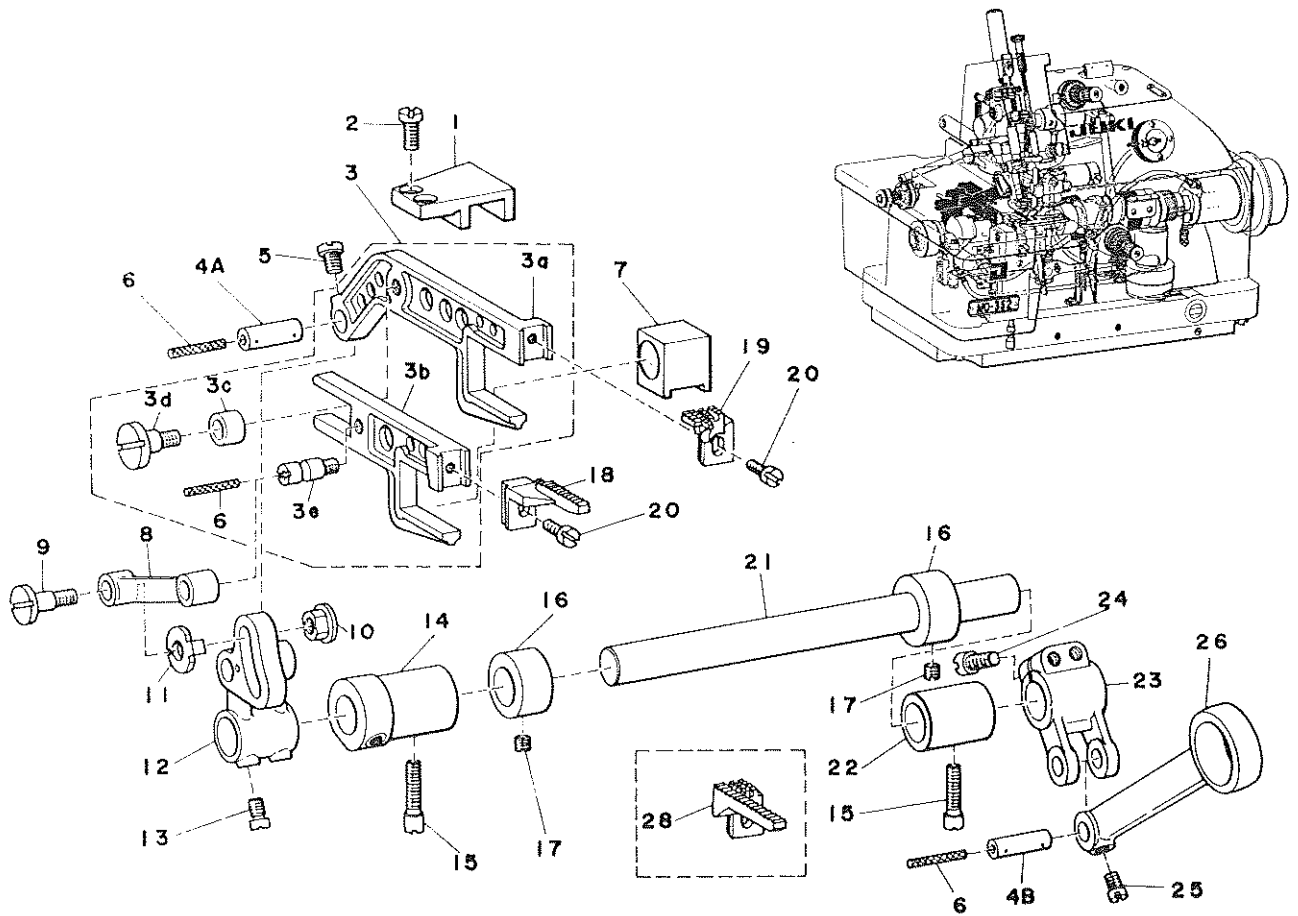
Ref. No.	Part No.	Description	Amt. Req.	Ref. No.	Part No.	Description	Amt. Req.
1	MDC-270B1100	Needle (DCx27)	1	22	B-1404-352-000	Needle bar driving shaft	1
*3	B-1414-352-0A0	Needle bar	1	23	TA-0370301-M0	. . . Oil seal plug	1
2	B-1415-352-000	. . . Clamp nut	①	24	B-1408-352-000	. . . Bushing, front	1
4	B-1418-352-000	. . . Bushing, lower	1	25A	SS-6121020-SP	. . . Screw	1
5	CQ-3030000-00	Oil wick	5	26	CS-1271012-SH	. . . Thrust collar	2
6	B-1413-352-000	Needle bar connection	1	27	SS-8660610-TP	. . . Screw	4
7	SS-7110810-SP	. . . Screw	1	28	B-1409-352-000	. . . Bushing, rear	1
8	B-1416-352-000	Needle bar bushing, upper	1	25B	SS-6121020-SP	. . . Screw	1
9	B-1405-012-000	. . . Cap screw	1	29	B-1402-352-A00	. . . Crank	1
10	B-1419-352-000	Needle bar thread take-up	1	30	SS-7151210-SP	. . . Screw	1
11	SS-7080510-SP	. . . Screw	1	31	B-1401-352-A00	. . . Connecting rod	1
12	B-1420-352-000	. . . Tension disc	1	32	B-1403-352-C00	. . . Pin	1
13	B-1422-352-000	. . . Tension spring	1	33	SS-6110710-TP	. . . Screw	1
14	B-1421-352-000	. . . Hinge screw	1	34	B-1426-352-C00	Needle bearing	1
15	NS-6080210-SP	. . . Nut	1	35	B-1213-352-000	Needle bar eccentric	1
16	B-1411-352-000	Needle bar link	1	36	SS-7681450-TP	. . . Screw (A)	1
17	B-1412-352-000	. . . Pin	1	37	SS-8150710-SP	. . . Screw (B)	1
18	SS-6090660-TP	. . . Screw	1	38	B-1214-352-000	Cover	1
19	SS-8090650-TP	. . . Screw (B)	1	39	SS-1090930-SP	. . . Screw	3
				SPECIAL PARTS			
				40	B-1402-352-000	Needle bar driving crank	1
				41	SS-6621220-SP	. . . Screw	2
				42	B-1425-352-000	. . . Eccentric bushing	1

5. FOOT LIFTER COMPONENTS



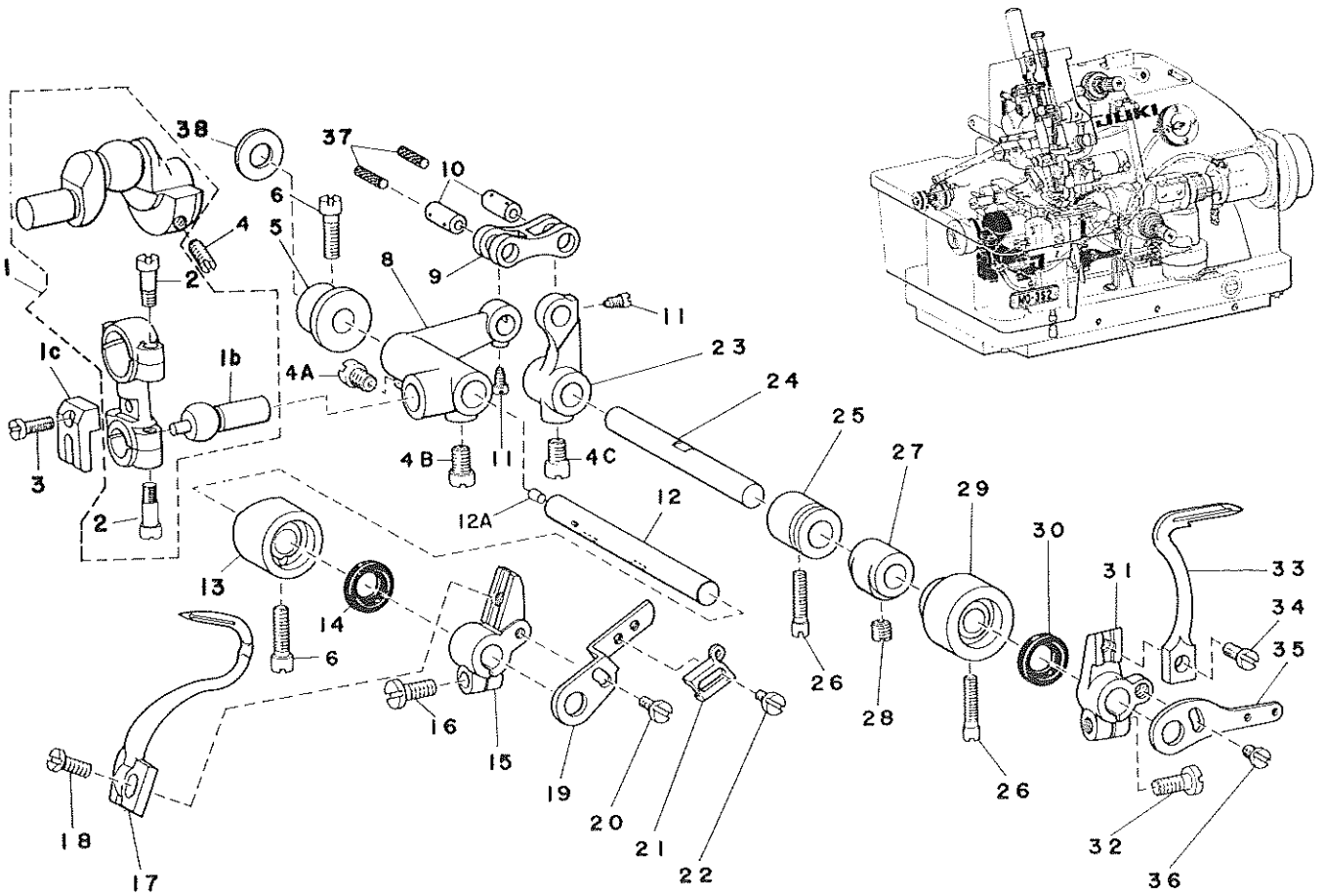
Ref. No.	Part No.	Description	Amt. Req.	Ref. No.	Part No.	Description	Amt. Req.
1	B-1501-352-000	Foot lifter lever	1	20	B-1514-352-000	Presser foot hold down lever	1
2A	SS-7111310-SP	. . . Stop screw	1	21	B-1517-352-000	Presser spring regulator	1
3	B-1506-352-000	. . . Spring suspension screw (B)	1	22	B-1518-352-000	Presser spring	1
4	B-1507-352-000	. . . Tension spring	1	23	B-1519-352-000	Presser spring plunger	1
5	B-1505-352-000	. . . Suspension screw (A)	1	24	B-1520-352-000	Presser foot release lever	1
6	NS-6150310-SP	. . . Nut	1	2B	B-1508-352-000	. . . Stop screw	1
7	B-1504-352-000	Foot lifter lever shaft	1	25	SD-0721111-SP	. . . Hinge screw	1
8A	SS-8151550-SP	. . . Screw	1	26	B-1522-352-000	. . . Spring	1
9A	RO-0552001-00	. . . Rubber ring	1	27	B-1521-352-000	. . . Bushing	1
11	B-1502-352-000	Foot lifter lever arm	1	28	B-1510-352-0A0	Presser foot assembly	(1)
12	SD-0500721-SP	. . . Hinge screw	1				
10	SS-7120760-SP	. . . End screw	1				
*14	B-1526-352-0A0	Presser foot assembly	1				
14b	B-1512-352-000	Stitch tongue	①				
14c	SS-6060410-TP	. . . Screw	①				
15	B-1530-352-000	Thread trimmer	1				
16	SS-7080510-SP	. . . Screw	2				
17	B-1515-352-000	Presser foot hold down stud screw	1				
18	NS-6150430-SP	. . . Nut	1				
19	B-1516-352-000	Presser foot hold down lever shaft	1				
8B	SS-6121510-SP	. . . Screw	1				
9B	RO-0371801-00	. . . Rubber ring	1				

6. FEED MECHANISM COMPONENTS



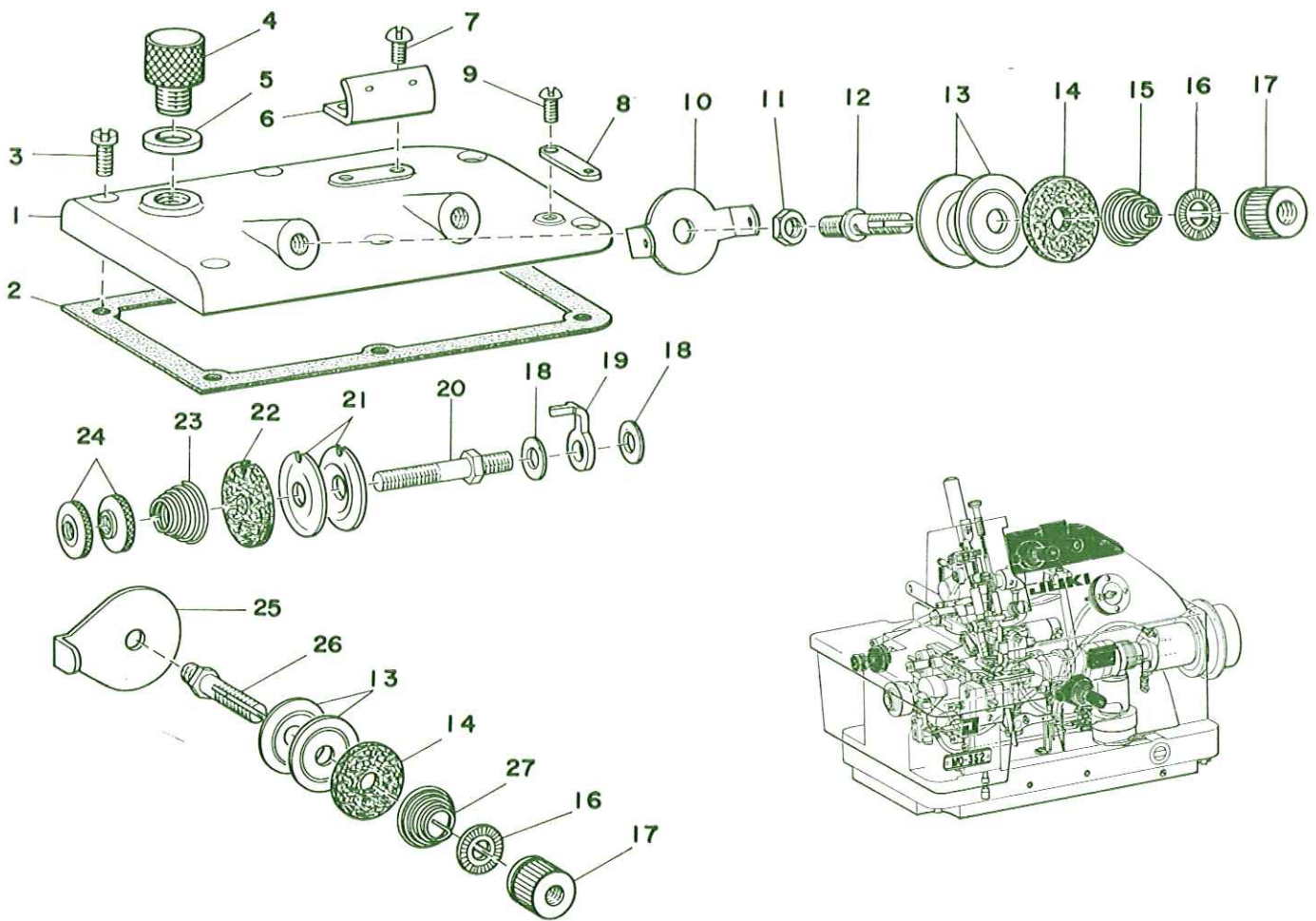
Ref. No.	Part No.	Description	Amt. Req.	Ref. No.	Part No.	Description	Amt. Req.
1	B-1622-352-000	Feed bar guide	1	16	CS-1111019-SH	Differential feed rocker shaft thrust collar	2
2	SS-4110910-TP	. . . Screw	2	17	SS-6660710-TP	. . . Screw	2
*3	B-1608-352-0A0	Feed bar assembly	1	18	B-1613-352-000	Feed dog, large (2A)	1
3a	B-1608-352-000	Main feed bar	①	19	B-1614-352-000	Feed dog, small (2A)	1
3b	B-1609-352-000	Differential feed bar	①	20	SS-4091010-SP	. . . Screw	2
3c	B-1611-352-000	. . . Roller	①	21	B-1605-352-000	Differential feed rocker shaft	1
3d	SD-0640601-SP	. . . Hinge screw	①	22	B-1607-352-000	. . . Bushing, rear	1
3e	B-1621-352-000	. . . Hinge screw (B)	①	23	B-1623-352-000	. . . Crank	1
4A	B-1403-352-000	Differential feed rocker connecting pin	1	24	SS-6621220-SP	. . . Screw	2
5	SS-6110710-TP	. . . Screw	1	4B	B-1403-352-000	. . . Pin	1
6	CQ-3030000-00	Oil wick	3	25	SS-6111710-TP	. . . Screw	1
7	B-1610-352-000	Feed lift block	1	26	B-1601-352-A00	Feed drive connecting rod	1
8	B-1617-352-000	Differential feed drive link	1	(28)	B-1625-352-000	Feed dog, (2B)	①
9	SD-0640751-SP	. . . Hinge screw (A)	1				
10	B-1619-352-000	. . . Nut	1				
11	B-1620-352-000	. . . Washer	1				
12	B-1615-352-000	Differential feed rocker	1				
13	SS-6110710-TP	. . . Screw	2				
14	B-1606-352-000	Differential feed rocker shaft bushing, front	1				
15	SS-6121510-SP	. . . Screw	2				

7. UPPER & LOWER LOOPER DRIVING PARTS COMPONENTS



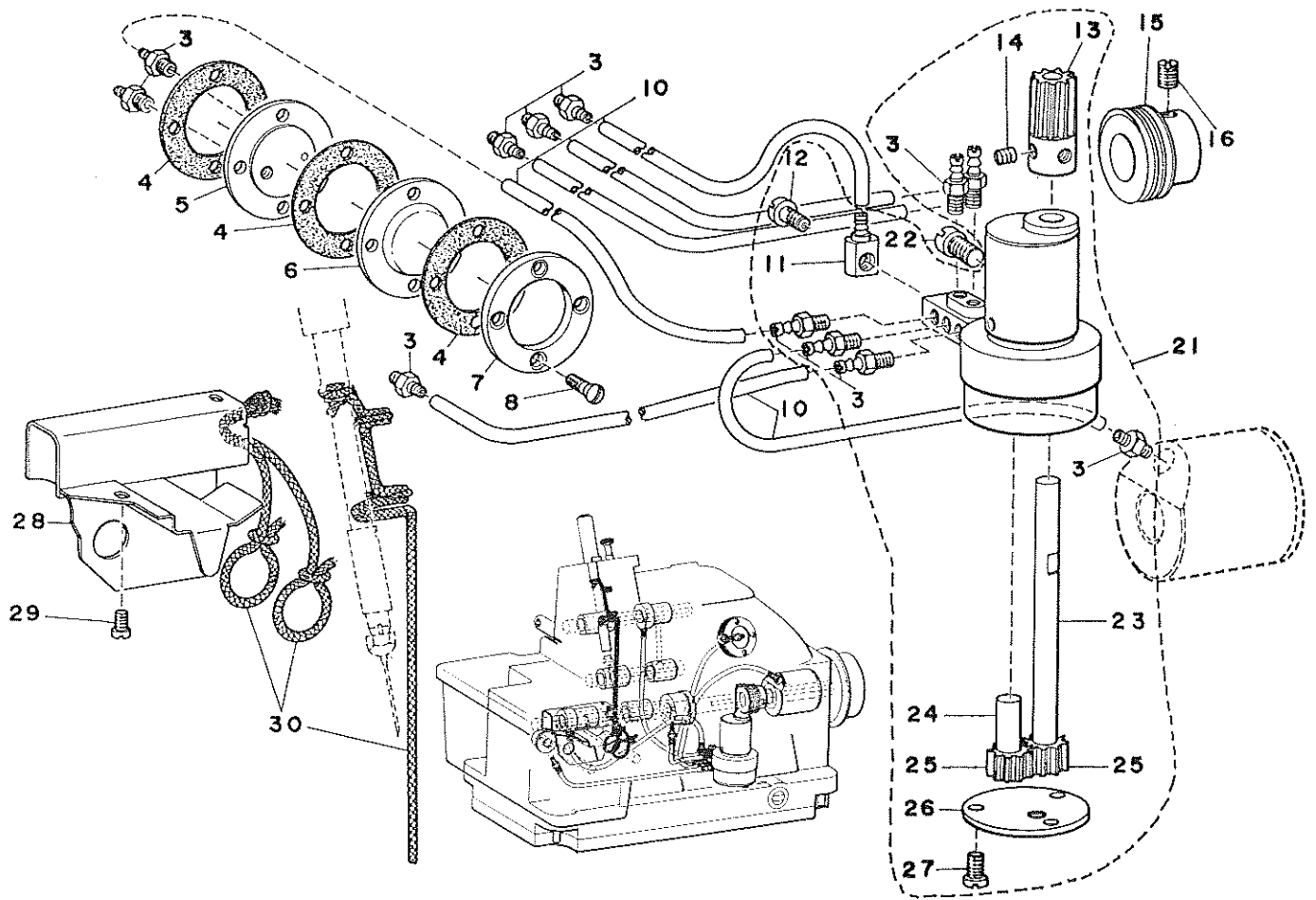
Ref. No.	Part No.	Description	Amt. Req.	Ref. No.	Part No.	Description	Amt. Req.
*1	B-2504-352-0A0	Upper looper driver connecting rod assembly	1	19	B-2524-352-000	Lower looper thread take-up bracket	1
2	SD-0450701-TP	. . . Screw	④	20	SS-4090610-SP	. . . Screw	1
1b	B-2506-352-000	. . . Ball stud	①	21	B-2511-352-000	Lower looper thread take-up	1
1c	B-2503-352-000	. . . Stop block	1	22	SS-7090510-SP	. . . Screw	1
3	SS-4091020-TP	. . . Screw	1	23	B-2514-352-000	Lower looper driving shaft crank	1
4	SS-8661030-SP	Screw, for crank	1	4C	SS-6660710-TP	. . . Screw	1
4A	SS-6660710-TP	Screw, for ball stud	1	24	B-2515-352-000	Lower looper driving shaft	1
5	B-2509-352-000	Upper looper drive lever shaft bushing, rear	1	25	B-2522-352-000	. . . Bushing, rear	1
6	SS-6121510-SP	. . . Screw	2	26	SS-6121510-SP	. . . Screw	2
8	B-2505-352-000	Upper looper drive lever	1	27	CS-0791266-SH	. . . Thrust collar	1
9	B-2512-352-000	. . . Connecting link	1	28	SS-8660610-TP	. . . Screw	1
10	B-1412-352-000	. . . Pin	2	29	B-2528-352-000	. . . Bushing, front	1
11	SS-6090660-TP	Screw, for connecting link pin	2	30	B-2525-352-000	. . . Oil seal ring	1
12	B-2507-352-000	Upper looper drive lever shaft	1	31	B-2517-352-000	Lower looper holder	1
12A	TA-0290601-M0	Oil seal plug	2	32	SS-6121220-TP	. . . Screw	1
4B	SS-6660710-TP	. . . Screw	2	33	B-2521-352-000	Lower looper	1
13	B-2508-352-000	. . . Bushing, front	1	34	SS-4110910-TP	. . . Screw	1
14	B-2525-352-000	. . . Oil seal ring	1	35	B-2518-352-000	Upper looper thread take-up	1
15	B-2510-352-000	. . . Screw	1	36	SS-4090610-SP	. . . Screw	1
16	SS-6121220-TP	. . . Screw	1	37	CQ-3030000-00	Oil wick	1
17	B-2520-352-000	Upper looper	1	38	B-2529-352-000	Protection plate	1
18	SS-4110910-SP	. . . Screw	1				

8. THREAD TENSION COMPONENTS



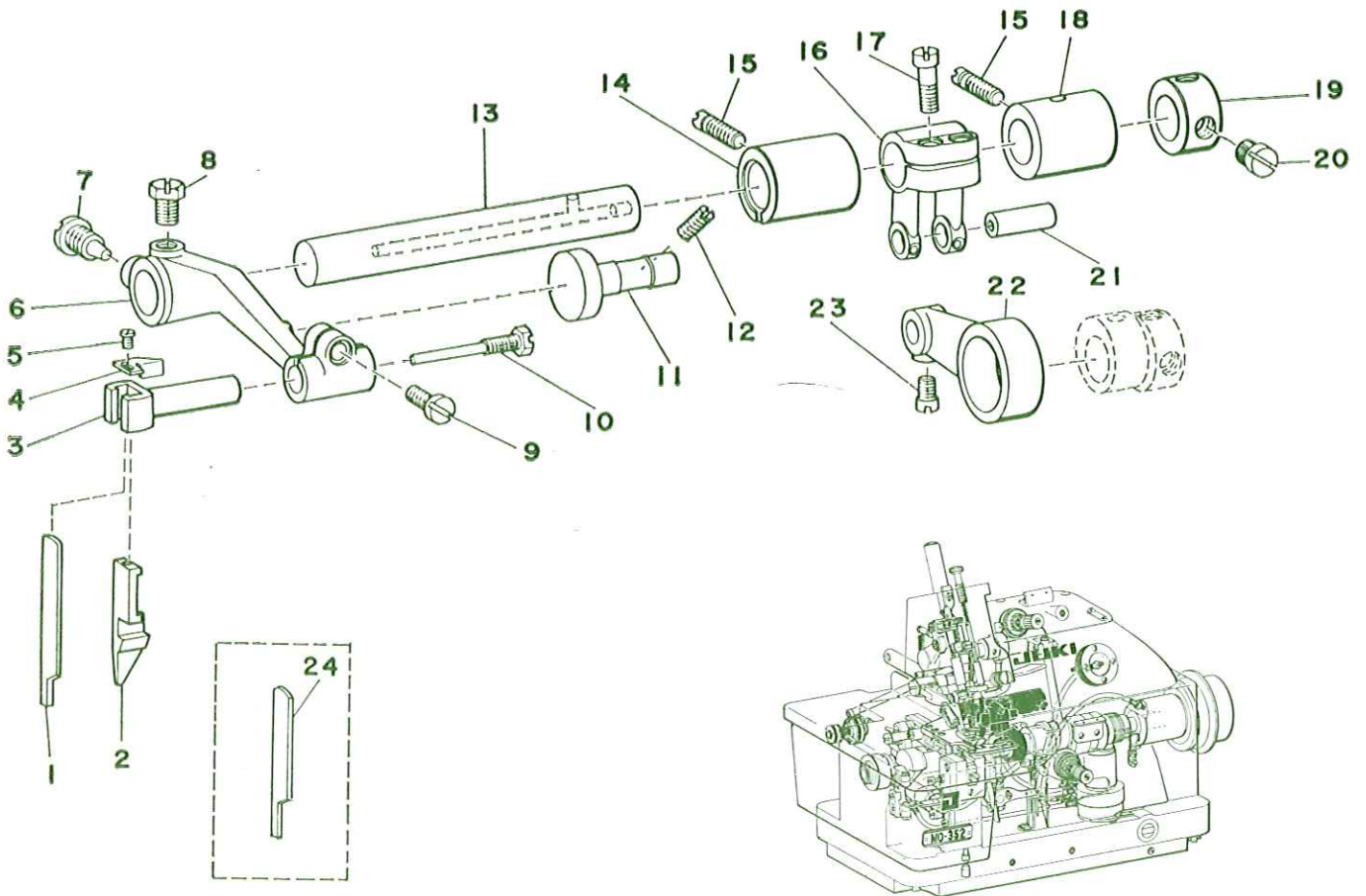
Ref. No.	Part No.	Description	Amt. Req.	Ref. No.	Part No.	Description	Amt. Req.
1	B-3101-352-000	Top cover	1	20	B-3119-352-000	Lower looper thread tension post	1
2	B-3102-352-000	. . . Gasket	1	21	B-3126-352-000	. . . Tension disc	2
3	SS-4110910-TP	. . . Screw	6	22	B-3127-352-000	. . . Tension spring felt	1
4	B-3103-352-000	Oiling hole large screw	1	23	B-3118-352-000	. . . Tension spring	1
5	B-3104-352-000	. . . Gasket	1	24	B-3117-352-000	. . . Tension nut	2
6	B-3105-352-000	Thread eyelet	1	25	B-3111-352-000	Upper looper thread guide	1
7	SS-3090610-SP	. . . Screw	2	26	B-3123-352-000	. . . Tension post	1
8	B-3110-357-000	Thread guide (A)	1	27	B-3121-352-000	. . . Tension spring	1
9	SS-3090710-TP	. . . Screw	1				
10	B-3107-352-000	Needle thread guide	1				
11	NS-6150310-SP	Lock nut	1				
12	B-3108-352-000	Needle thread tension post	1				
13	B-3126-012-000	. . . Tension disc	4				
14	B-3120-352-000	. . . Tension spring felt	2				
15	B-3129-012-A00	. . . Tension spring	1				
16	B-3120-125-000	. . . Grummet	2				
17	B-3110-352-000	. . . Tension nut	2				
18	WP-0651056-SD	Washer	2				
19	B-3128-352-000	Lower looper thread grummet	1				

9. OIL LUBRICATION MECHANISM COMPONENTS



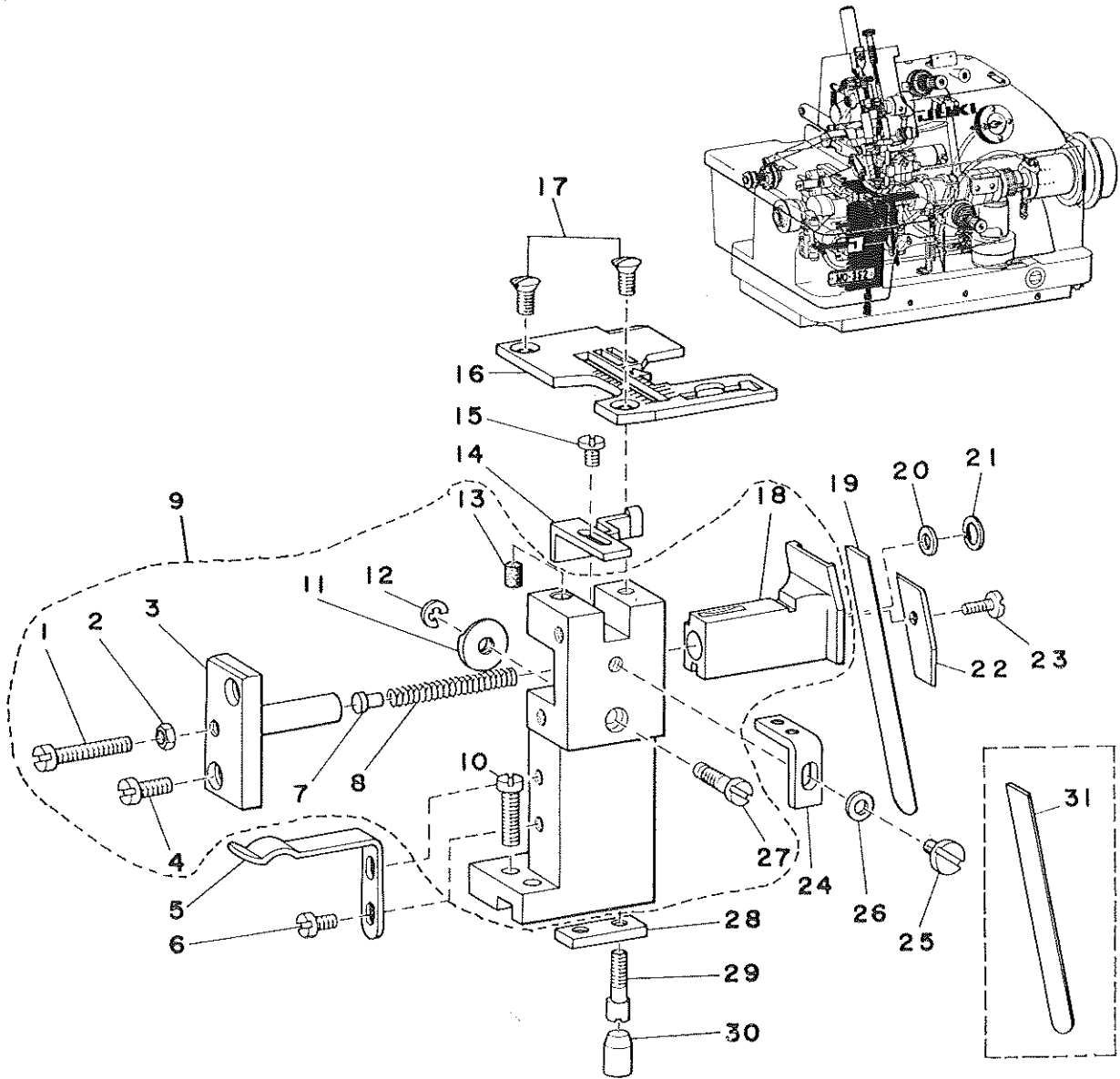
Ref. No.	Part No.	Description	Amt. Req.
3	SQ-1110401-MZ	Oil tube connecting screw	12
4	B-3516-552-000	Oil sight window gasket	3
5	B-3515-352-000	Oil sight window frame	1
6	B-3513-352-000	Oil sight window	1
7	B-3514-352-000	. . . Thrust plate	1
8	SS-2091520-SP	. . . Screw	4
10	BP-0300000-00	Oil tube 1076mm (42")	
15	B-3501-352-000	Worm wheel	1
16	SS-8150710-TP	. . . Screw	2
*21	B-3505-352-0C0	Oil pump asm.	1
11	SQ-0000401-MZ	Connecting screw (A)	①
12	B-3525-357-000	Connecting screw (B)	①
13	B-3502-352-000	Worm gear	①
14	SS-8110510-SP	. . . Screw	②
23	B-3503-352-000	. . . Pinion shaft (A)	①
24	B-3504-352-000	. . . Pinion shaft	①
25	B-3534-352-000	. . . Pinion	②
26	B-3506-352-000	. . . Bottom plate	①
27	SS-7110710-SP	. . . Screw	③
22	SS-6151220-SP	. . . Screw	1
28	B-2526-357-000	Looper oil guard	1
29	SS-6090610-SP	. . . Screw	2
30	CQ-3030000-00	Oil wick 505mm (20")	

10. UPPER KNIFE COMPONENTS



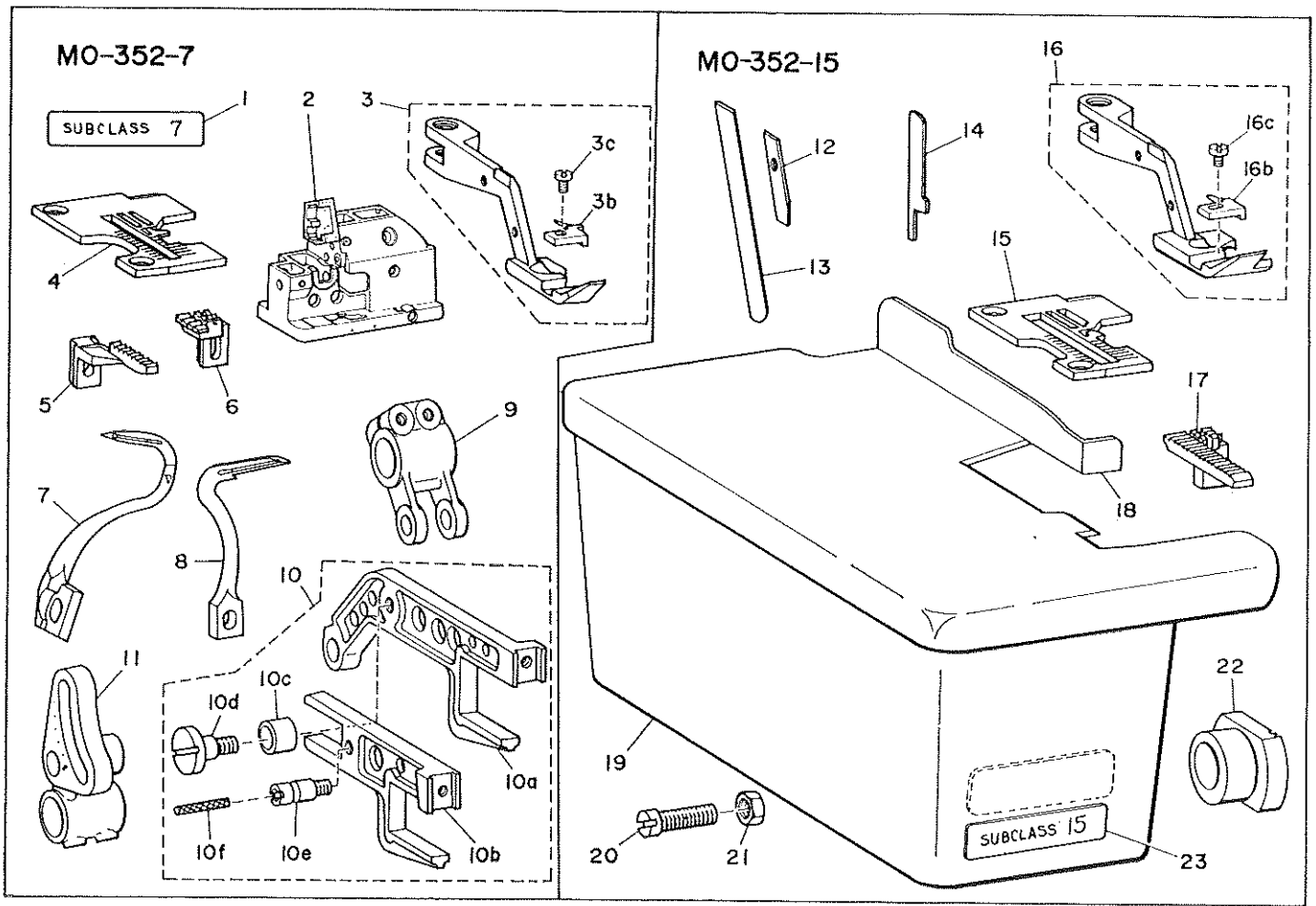
Ref. No.	Part No.	Description	Amt. Req.	Ref. No.	Part No.	Description	Amt. Req.
1	B-4108-352-00B	Upper knife	1	16	B-4103-352-000	Upper knife driving crank	1
	B-4108-352-00C	High-speed steel upper knife	(1)	17	SS-6621220-SP	. . . Screw	2
	B-4108-352-00D	Cemented carbide upper knife	(1)	18	B-4106-352-000	Bushing, rear	1
	B-4108-352-K0C	High-speed steel upper knife, for heavy weight material	(1)	19	CS-1111019-SP	Thrust collar	1
	B-4108-352-K0D	Cemented carbide upper knife, for heavy weight material	(1)	20	SS-6660710-SP	. . . Screw	1
2	B-4109-352-000	Upper knife clamp	1	21	B-1403-352-C00	Crank pin	1
3	B-4110-352-000	Upper knife	1	22	B-4101-352-000	Upper knife driving connecting rod	1
4	B-4129-352-000	Upper knife holder clamp	1	23	SS-6110740-TP	Screw, for crank pin	1
5	SS-4060310-SP	. . . Screw	1				
6	B-4107-352-000	Upper knife driving arm	1				
7	B-4125-352-000	. . . Screw (A)	1				
8	SS-9150730-SP	. . . Screw	1				
9	SS-4110910-TP	Screw, for upper knife holder	1				
10	B-4112-352-000	Upper knife clamp screw	1				
11	B-4130-352-000	Upper knife driving arm guard	1				
12	SS-8660820-TP	. . . Screw	1				
13	B-4104-352-000	Upper knife driving arm shaft	1				
14	B-4105-352-000	. . . Bushing, front	1				
15	SS-6121510-SP	. . . Screw	2				

11. LOWER KNIFE COMPONENTS



Ref. No.	Part No.	Description	Amt. Req.	Ref. No.	Part No.	Description	Amt. Req.
*9	B-4113-352-0A0	Throat plate & lower knife support bracket asm.	1	19	B-4122-352-00A	Lower knife	1
1	SS-7112420-SP	Adjusting screw	①	20	WP-0371016-SD	Washer	1
2	NS-6110420-SP	. . . Nut	①	21	B-4127-357-000	Stop ring	1
18	B-4114-352-000	Knife holder	①	22	B-4121-352-000	Lower knife clamp	1
27	B-4117-352-000	Knife holder locking screw	①	23	SS-7090710-SP	. . . Screw	1
3	B-4115-352-000	Lower knife holder slide stud	①	24	B-4131-357-000	Needle guard adjusting guide	1
4	SS-4110910-TP	. . . Screw	②	25	SS-7110820-SP	. . . Screw	1
7	B-4126-352-000	Lower knife holder spring bushing	①	26	WP-0450000-SD	. . . Washer	1
8	B-4120-352-000	Lower knife holder spring	①	28	B-4127-352-000	Bottom guide, for support bracket	1
11	B-4116-352-000	Knife holder locking nut	①	29	SS-7111310-SP	. . . Screw	2
12	RE-0320000-K0	. . . Stop ring	①	30	B-1154-352-000	. . . Rubber plug	2
5	B-4123-352-000	Cloth plate latch spring	1	(31)	B-4122-352-00C	Lower knife (high speed steel)	(1)
6	SS-7090710-SP	. . . Screw	2				
10	SS-7121410-SP	. . . Screw	3				
13	B-4128-352-000	Felt cushion	1				
14	B-4124-352-000	Needle guard	1				
15	SS-6090520-SP	. . . Screw	2				
16	B-1137-352-000	Throat plate	1				
17	SS-2110920-TP	. . . Screw	2				

12. EXCLUSIVE PARTS FOR MO-352, 353, 354, 355 AND THEIR SUBCLASSES

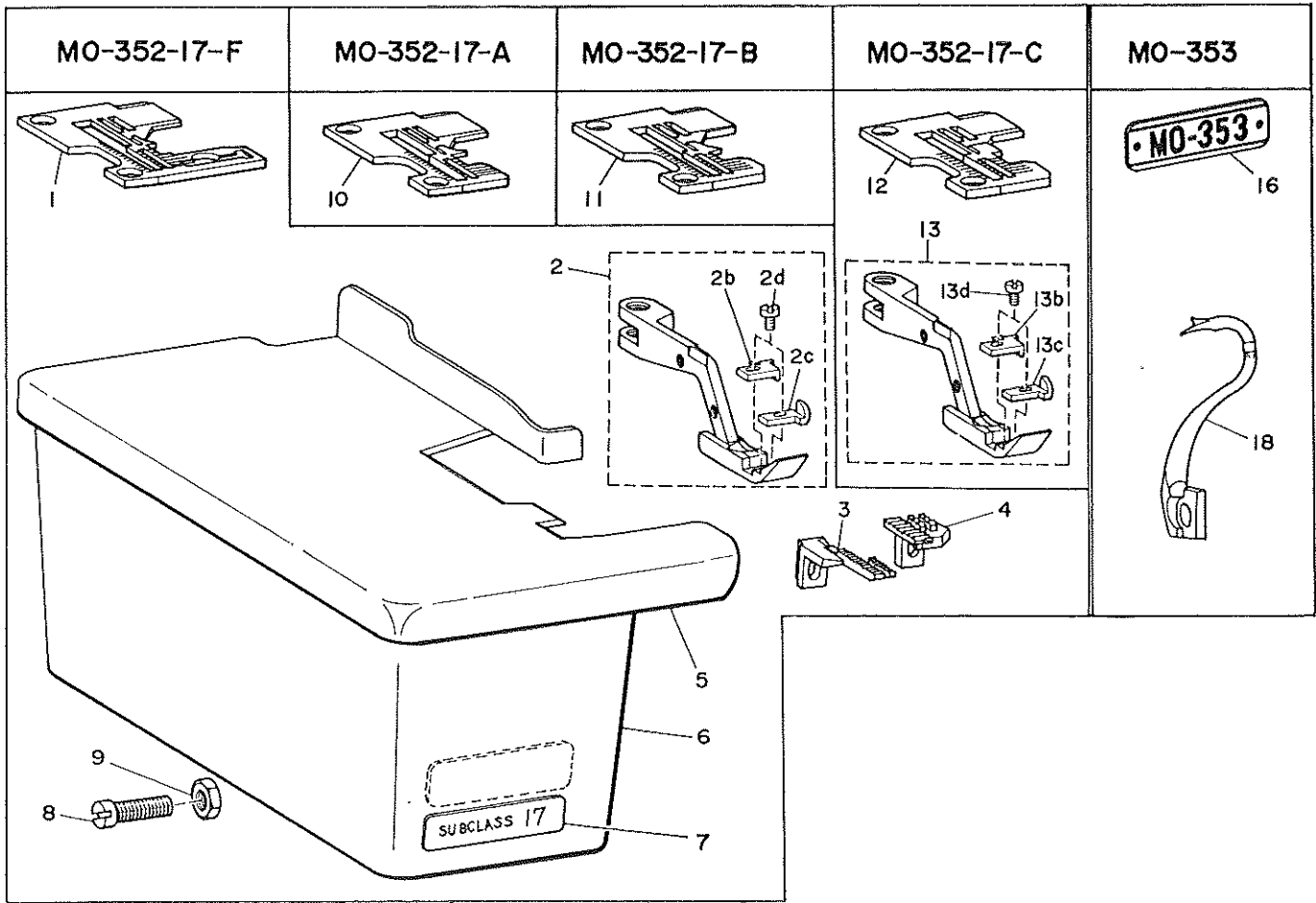


1) MO-352-7

Ref. No.	Part No.	Description	Amt. Req.
1	B-LKSUB00007	Subclass No. plate 7	1
2	D-1101-352-G00	Machine frame	1
*3	D-1526-352-GA0	Presser foot assembly	1
3b	B-1512-352-000	Stitch tongue	①
3c	SS-6060410-TP	. . . Screw	①
4	D-1137-352-G00	Throat plate	1
5	D-1613-352-G00	Feed dog, large	1
6	D-1614-352-G00	Feed dog, small	1
7	D-2520-352-G00	Upper looper	1
8	D-2521-352-G00	Lower looper	1
9	D-1623-352-G00	Differential feed rocker shaft crank	1
*10	D-1608-352-GA0	Feed bar assembly	1
10a	D-1608-352-G00	Main feed bar	①
10b	D-1609-352-F00	Differential feed bar	①
10c	B-1611-352-000	. . . Roller	①
10d	SD-0640601-SP	. . . Hinge screw	①
10e	B-1621-352-000	. . . Hinge screw (B)	①
10f	CQ-3030000-00	. . . Oil wick	①
11	D-1615-352-G00	Differential feed rocker	1
* All parts not mentioned above are same as those of model MO-352.			

2) MO-352-15

Ref. No.	Part No.	Description	Amt. Req.
12	D-4121-352-Q00	Lower knife clamp	1
13	D-4122-352-Q0C	Lower knife (high speed steel)	1
14	D-4108-352-Q0D	Upper knife (carbide tungsten steel)	1
15	D-1137-352-Q00	Throat plate	1
*16	D-1526-352-QA0	Presser foot assembly	1
16b	D-1512-352-Q00	Stitch tongue	①
16c	SS-6060410-TP	. . . Screw	①
17	D-1625-352-Q00	Feed dog	1
18	D-1117-352-Q00	Cloth plate	1
19	B-1118-357-000	Cloth plate frame	1
20	SS-6151920-SP	. . . Stop screw	1
21	NS-6150310-SP	. . . Nut	1
22	B-1106-232-Q00	Feed eccentric	1
23	B-LKSUB00015	Subclass No. plate 15	1
* All parts not mentioned above are same as those of model MO-352.			



3) MO-352-17

① MO-352-17-F

Ref. No.	Part No.	Description	Amt. Req.
1	D-1137-352-S0F	Throat plate	1
*2	D-1510-352-SAA	Presser foot assembly	1
2b	D-1512-352-B00	Stitch tongue	①
2c	D-1522-352-B00	Presser foot bottom	①
2d	SS-6060410-TP	. . . Screw	①
3	D-1613-352-S0A	Feed dog, large	1
4	D-1614-352-S0A	Feed dog, small	1
5	B-1117-357-000	Cloth plate	1
6	B-1118-357-000	Cloth plate frame	1
7	B-LKSUB00017	Subclass No. plate 17	1
8	SS-6151920-SP	Cloth frame stop screw	1
9	NS-6150310-SP	. . . Nut	1

* All parts not mentioned above are same as those of model MO-352.

② MO-352-17-A

10	D-1137-352-S0A	Throat plate	1
----	----------------	--------------	---

③ MO-352-17-B

11	D-1137-352-S0B	Throat plate	1
----	----------------	--------------	---

* All parts not mentioned above are same as those of model MO-352-17-F.

④ MO-352-17-C

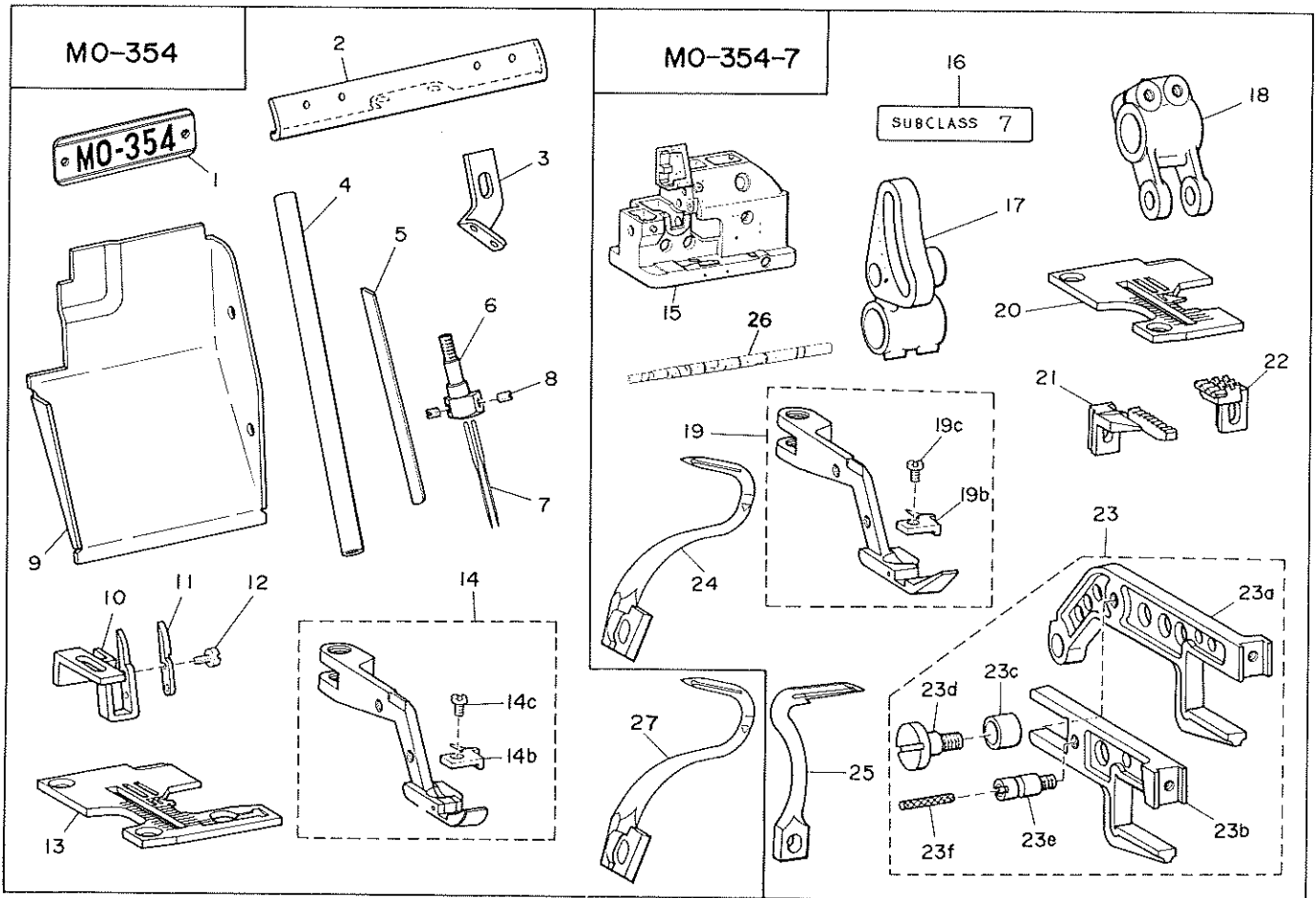
Ref. No.	Part No.	Description	Amt. Req.
12	D-1137-352-S0C	Throat plate	1
*13	D-1510-352-SAC	Presser foot assembly	1
13b	D-1512-352-S0C	Stitch tongue	①
13c	D-1522-352-B00	Presser foot bottom	①
13d	SS-6060410-TP	. . . Screw	①

* All parts not mentioned above are same as those of model MO-352-17-F.

4) MO-353

16	B-1139-353-000	Model plate	1
18	B-2520-353-000	Spreader	1

* All parts not mentioned above are same as those of model MO-352.



5) MO-354

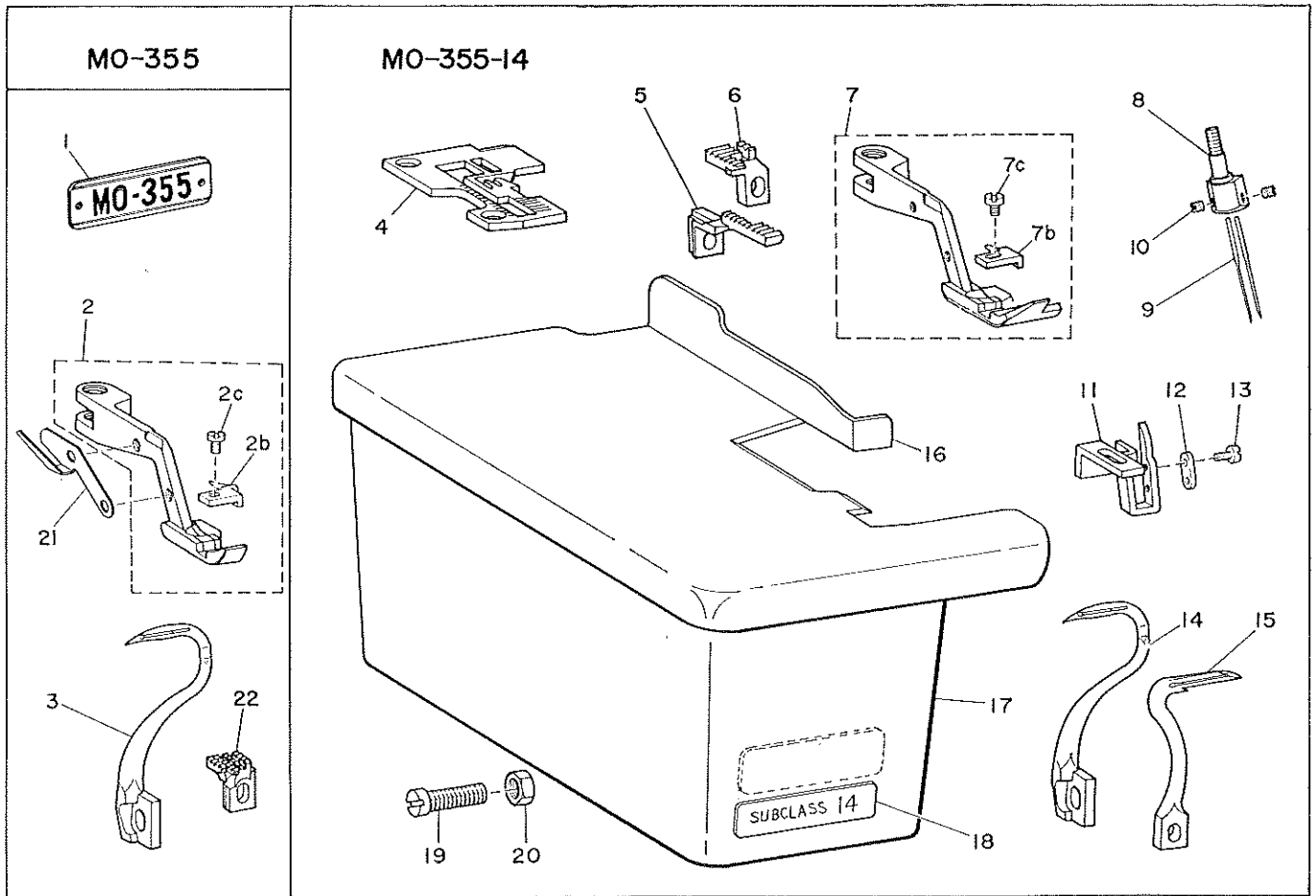
Ref. No.	Part No.	Description	Amt. Req.
1	B-1139-354-000	Model plate	1
2	B-3105-357-000	Top cover thread eyelet	1
3	B-1423-354-000	Needle thread eyelet	1
4	B-1414-357-000	Needle bar	1
5	B-4122-354-00A	Lower knife	1
6	B-1415-354-000A	Needle clamp	1
7	MDC-270B1100	Needle (DCx27, 81x3)	2
8	SS-8080310-SP	. . . Screw	2
9	B-1110-354-000	Chip guard cover	1
10	B-4124-354-000	Needle guard (1)	1
11	B-4125-354-000	Needle guard (2)	1
12	SS-7060810-SP	. . . Screw	2
13	B-1137-354-000	Throat plate	1
*14	B-1510-354-0A0	Presser foot assembly	1
14b	B-1512-354-000	Stitch tongue	1
14c	SS-6060410-TP	. . . Screw	1
27	D-2520-354-G00	Upper looper	1

* All parts not mentioned above are same as those of model MO-352.

6) MO-354-7

Ref. No.	Part No.	Description	Amt. Req.
15	D-1101-352-G00	Machine frame	1
16	B-LKSUB-00007	Subclass No. plate 7	1
17	D-1615-352-G00	Differential feed rocker	1
18	D-1523-352-G00	Differential feed rocker shaft crank	1
*19	D-1510-354-GA0	Presser foot assembly	1
19b	B-1512-354-000	Stitch tongue	①
19c	SS-6060410-TP	. . . Screw	①
20	D-1137-354-G00	Throat plate	1
21	D-1613-354-G00	Feed dog, large	1
22	D-1614-352-G00	Feed dog, small	1
*23	D-1608-352-GA0	Feed bar assembly	1
23a	D-1608-352-G00	Main feed bar	①
23b	D-1609-352-G00	Differential feed	①
23c	B-1611-352-000	. . . Roller	①
23d	SD-0640601-SP	. . . Hinge screw	①
23e	B-1621-352-000	. . . Hinge screw (B)	①
23f	CQ-3030000-00	. . . Oil wick	①
24	D-2520-354-G00	Upper looper	1
25	D-2521-352-G00	Lower looper	1
26	D-1201-354-A00	Crankshaft	1

* All parts not mentioned above are same as those of model MO-354.



7) MO-355

Ref. No.	Part No.	Description	Amt. Req.
1	B-1139-355-000	Model plate	1
*2	B-1510-354-0A0	Presser foot assembly	1
2b	B-1512-354-000	Stitch tongue	①
2c	SS-6060410-TP	. . . Screw	①
3	B-2520-355-000	Upper looper, one thread off	1
21	B-1530-355-000	Thread trimmer	1
22	B-1614-355-000	Feed dog, small	1
* All parts not mentioned above are same as those of model MO-354.			

8) MO-355-14

Ref. No.	Part No.	Description	Amt. Req.
4	D-1137-355-P00	Throat plate (P)	1
5	D-1613-355-P00	Feed dog, large	1
6	D-1614-355-P00	Feed dog, small	1
*7	D-1526-355-PA0	Presser foot assembly	1

Ref. No.	Part No.	Description	Amt. Req.
7b	D-1512-352-B00	Stitch tongue	①
7c	SS-6060410-TP	. . . Screw	①
8	D-1415-355-P00	Needle clamp (P)	1
9	MDC-270B1400	Needle (DCx27)	2
10	SS-8080410-SP	. . . Screw	2
11	D-4124-355-P00	Needle guard (P)	1
12	D-4134-355-P00	. . . Washer	1
13	SS-6090520-SP	. . . Screw	2
14	D-2520-355-P00	Upper looper, one thread off	1
15	D-2521-355-P00	Lower looper	1
16	B-1117-357-000	Cloth plate	1
17	B-1118-357-000	Cloth plate frame	1
18	B-LKSUB00014	Subclass No. plate 14	1
19	SS-6151920-SP	Cloth plate frame stop screw	1
20	NS-6150310-SP	. . . Nut	1

* All parts not mentioned above are same as those of model MO-354.

Part No.	Page	Ref. No.	Part No.	Page	Ref. No.	Part No.	Page	Ref. No.	Part No.	Page	Ref. No.	Part No.	Page	Ref. No.
"O" RING														
RO-0291801-00		2-36	SS-2091520-SP	9-8	SS-6091210-SP	1-17	SS-7090710-SP	11-23	SS-8661030-SP	7-4				
RO-0371801-00		5-9B	SS-2110920-TP	11-17	SS-6110710-TP	6-13	SS-7090910-SP	2-9	SS-9111820-SP	1-3				
RO-0552001-00		5-9A	SS-3090610-SP	8-7	SS-6110710-TP	4-33	SS-7091110-SP	1-10	SS-9150730-SP	10-8				
RO-1721801-00		2-24	SS-3090710-SP	8-9	SS-6110710-TP	10-23	SS-7110710-SP	9-27	SK-1382500-SC	1-42				
RO-1721801-00		1-36	SS-4060310-SP	10-5	SS-6110710-TP	6-25	SS-7110740-TL	3-13b						
RO-2201801-00		1-6	SS-4090610-SP	2-18A	SS-6110710-TP	6-5	SS-7110810-SP	4-7	WASHER					
RE-0320000-K0		11-12	SS-4090610-SP	7-20	SS-6111610-SP	4-32	SS-7110820-SP	11-25	WP-0371016-SD	1-9				
			SS-4090610-SP	2-18C	SS-6121510-SP	7-8	SS-7110820-SP	1-40	WP-0371016-SD	11-20				
			SS-4090610-SP	1-29	SS-6121510-SP	5-8A	SS-7110910-SP	1-25	WP-0450000-SD	2-40				
			SS-4090610-SP	2-18B	SS-6121020-SP	4-25B	SS-7111310-SP	5-2A	WP-0450000-SP	11-26				
			SS-4090610-SP	7-36	SS-6121020-SP	4-25A	SS-7111310-SP	6-27	WP-0651056-SD	8-18				
			SS-4091010-SP	6-20	SS-6121220-TP	7-16	SS-7111310-SP	11-29						
			SS-4091020-TP	7-3	SS-6121220-TP	7-32	SS-7112420-SP	11-1	NEEDLE					
			SS-4110910-TP	11-4	SS-6121510-SP	6-15	SS-7120760-SP	5-10	MDC-370B1100	4-1				
			SS-4110910-SP	7-18	SS-6121510-SP	10-15	SS-7121410-SP	11-10	MDC-270B1600	15-9				
			SS-4110910-TP	10-9	SS-6121510-SP	7-26	SS-7151120-SP	1-20	MDC-300B1100	14-7				
			SS-4110910-TP	6-2	SS-6121510-SP	5-8B	SS-7151210-SP	4-30						
			SS-4110910-TP	8-3	SS-6151220-SP	9-22	SS-7621040-SP	2-39						
			SS-4110910-TP	2-22	SS-6151440-SP	2-34	SS-7681450-TP	4-36						
			SS-5110740-TP	7-34	SS-6151920-SP	15-19	SS-8080410-SP	14-8						
			SS-5090610-SP	2-13	SS-6151920-SP	13-8	SS-8080410-SP	15-10						
			SS-6060410-TP	2-3	SS-6151920-SP	12-20	SS-8090650-TP	4-19						
			SS-6060410-TP	5-14c	SS-6621220-SP	4-41	SS-8110410-SP	3-2						
			SS-6060410-TP	13-2d	SS-9621220-SP	10-17	SS-8110510-SP	1-22						
			SS-6060410-TP	15-2c	SS-6621220-SP	4-30	SS-8110510-SP	9-14						
			SS-6060410-TP	14-19c	SS-6621220-SP	6-24	SS-8150710-SP	3-9						
			SS-6060410-TP	15-7c	SS-6660710-TP	6-17	SS-8150710-SP	4-37						
			SS-6060410-TP	12-3c	SS-6660710-TP	7-4C	SS-8150710-TP	9-16						
			SS-6060410-TP	13-13d	SS-6660710-TP	7-4A	SS-8150710-SP	3-14						
			SS-6060410-TP	14-14c	SS-6660710-TP	7-4B	SS-8150710-SP	3-6						
			SS-6060410-TP	12-16c	SS-6660710-SP	10-20	SS-8151150-SP	3-20						
			SS-6090520-SP	11-15	SS-7060810-SP	14-12	SS-8151550-SP	5-8A						
			SS-6090520-SP	15-13	SS-7080510-SP	4-11	SS-8151550-SP	3-17						
			SS-6090610-SP	9-29	SS-7080510-SP	5-16	SS-8660610-TP	4-27						
			SS-6090660-TP	7-11	SS-7090510-SP	7-22	SS-8660610-TP	7-28						
			SS-6090660-TP	4-18	SS-7090710-SP	11-6	SS-8660820-TP	10-12						



JUKI[®]
TOKYO JUKI INDUSTRIAL CO.,LTD.

