

Singer 147-100

Singer 147-101

Form 19082, Revised
(642)
Printed in U. S. A.

**LIST
OF
PARTS**



MACHINES
Nos. 147-100 and 147-101

THE SINGER MANUFACTURING COMPANY

INSTRUCTIONS FOR OILING

These machines are equipped with an oiling system which automatically delivers the proper amount of oil to the principal bearings of the machine.

Oil in the arm reservoir is splashed by an agitator on the lower end of the connecting rod and lubricates the various bearings inside the arm. Cups within the arm distribute some of this oil through the connecting pipes and wicks to the principal bearings outside the arm.

IN ORDER THAT THIS SYSTEM MAY OPERATE, IT IS ABSOLUTELY NECESSARY THAT THE OILING INSTRUCTIONS GIVEN IN FORM 18930, INSTRUCTION BOOK FOR THESE MACHINES, BE FOLLOWED TO THE LETTER.

Use either "SINGER OIL FOR HIGH SPEED SEWING MACHINES" (Cloth and Leather) for general use, or "STAINLESS OIL FOR HIGH SPEED SEWING MACHINES" where stainless oil is desired.

Copyright, U. S. A., 1938, 1940, 1941 and 1942
by The Singer Manufacturing Co.
All Rights Reserved for all Countries

INDEX

	Page
Accessories.....	23
Belt Guard.....	23
Bench Stands.....	23
Chart for Fittings for 147-100 Machine.....	21
Chart for Fittings for 147-101 Machine.....	22
Foot Lifter Parts.....	24
Knee Lifter Parts.....	24
Lap Seam Fellers.....	25
Machine Bases.....	25
Machine Base Oil Drain Jar.....	26
Machine No. 147-100.....	7
Machine No. 147-101.....	19
Numerical List of Parts.....	31
Obsolete Parts.....	28
Thread Unwinder.....	27

INSTRUCTIONS FOR ORDERING

In ordering from this list, use ONLY the part NUMBER in the FIRST column.

The number stamped on a Sewing Machine Part is in every case the number of the single part only.

Every combination of parts sent out as such has its specific number, which, although not stamped on the parts, must be used when ordering the combination.

Each number always indicates the SAME PART in whatever list it appears, or for whatever machine.

The letters after some of the numbers indicate the style of finish only, as follows:

- A-Hardened, Polished, Nickel Plated and Buffed
- A.A-Buffed and Chromium Plated
- A.B-Hardened, Polished, Buffed and Chromium Plated
- A.C-Brown Baking Enamel Finish
- A.D-Gray Baking Enamel Finish
- A.E-Hardened, Bright Rumbled and Nickel Plated
- A.F-Hardened, Bright Rumbled, Nickel Plated, Bright Rumbled and Chromium Plated
- A.G-Alumilite, Plain
- A.H-Alumilite, Dyed
- A.J-Polished, Nickel Plated and Chromium Plated
- A.K-Hardened, Polished, Nickel Plated and Chromium Plated
- A.L-Heat Treated for Toughness
 - B-Polished, Nickel Plated and Buffed
 - C-Hardened Only
- C.R-Hardened and Merlized
- D-Polished Only
- E-Soft, Not Polished
- F-Hardened and Polished
- F.J-Hardened, Polished and Nickel Plated
- G-Bright Rumbled and Nickel Plated
- H-Blued
- J-Nickel Plated Only
- K-Hardened and Nickel Plated
- L-Brass Plated
- M-Oxidized
- N-Japanned, Dull
- P-Japanned, Bright
- P.P-Wrinkle Finish
- R-Merlized
- S-Cadmium Plated
- T-Copper Plated
- T.A-Hardened, Polished, Copper and Nickel Plated and Buffed
- T.B-Copper and Nickel Plated and Polished
- T.J-Copper and Nickel Plated Only
- T.K-Hardened, Copper and Nickel Plated
- T.L-Copper and Brass Plated
- T.M-Copper Plated and Oxidized

INSTRUCTIONS FOR ORDERING - Continued

- U-Zinc Plated
- V-Silver Plated
- W-Polished and Nickel Plated
- X-Black Oxide, for Iron and Steel
- X.C-Hardened and Black Oxide, for Iron or Steel
- Y-Black Nickel Plated Only
- Z-Chromium Plated
- Z.A-Hardened, Polished, Nickel Plated, Buffed and Chromium Plated
- Z.B-Polished, Nickel Plated, Buffed and Chromium Plated
- Z.C-Hardened and Chromium Plated
- Z.D-Polished and Chromium Plated
- Z.G-Bright Rumbled, Nickel Plated, Bright Rumbled and Chromium Plated
- Z.J-Nickel and Chromium Plated
- Z.T-Copper and Chromium Plated

These letters MUST BE USED when they appear in the list; and AFTER the number as in the list.

In this series:

- 1 to 1500, 50001 to 51500 and 140001 to 142000 are Screw Numbers
- 1501 to 1800 and 51501 to 51800 are Nut Numbers
- 1801 to 2000 and 51801 to 52000 are Roller Numbers
- 2001 to 50000 and 52001 to 140000 and 142001 to 190000 are Sewing Machine Parts, 190001 and upward are numbers of Electrical Parts.

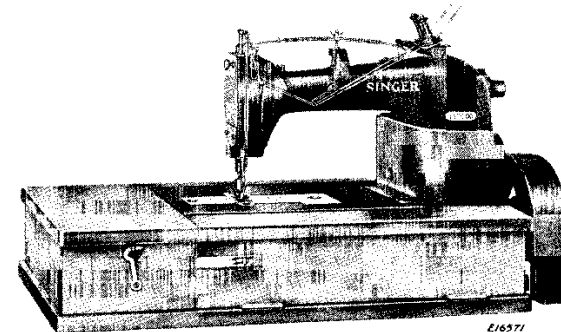
The figures in the second column refer only to the plates, illustrating the parts, and are NOT TO BE USED in ordering.

Parts marked with an asterisk (*) are furnished only when repairs are made at factory.

When ordering parts which differ as to Gauge (the distance between seams) the Gauge, as well as the Number must be given on order.

LIST OF PARTS COMPLETE

FOR



MACHINE No. 147-100

For Lap Seaming Light Weight Fabrics. Two needles, two loopers. Gauges from $\frac{3}{32}$ in. to $\frac{1}{2}$ in., in steps of $\frac{1}{32}$ in. Standard gauges are $\frac{1}{8}$ in., $\frac{5}{32}$ in., $\frac{3}{16}$ in., $\frac{1}{4}$ in. and $\frac{9}{32}$ in. Length of stitch 10 to 25 to the inch. Needle bar stroke $1\frac{1}{8}$ inches. Ball Bearing. Speed 4300 R.P.M.

No.	Plate	Name
*131446	-----	Arm, upper and lower (solid) with 948J, 15404, 68483, two 131676 and four 131022.....
68428	20688	Arm Bottom Cover.....
68429	20688	" " " Gasket (cork).....
1057AL	20688	" " " Screw (4).....
50608R	20688	Arm Hole Plug Screw, for access to Crank Connecting Rod (upper bearing).....
139017	20688	Arm Hole Plug Screw Washer.....
68350	20695	Arm Oil Cup, for oiling Arm Rock Shaft Front Bearing.....

PARTS FOR MACHINE NO. 147-100

No.	Plate	Name
131864	20720	Arm Oil Cup, for 131866.....
131865	20720	" " " Oil Gauge.....
131866	20720	Arm Oil Cup with Oil Gauge complete, for filling oil reservoir, Nos. 131864 and 131865.....
131319	20695	Arm Oil Cup Oil Pad (braided cotton) for 68350.....
131293	20695	Arm Rock Shaft.....
131474	-----	" " " 131293 with 1235F, 127838 and 131475.....
1309C	20695	Arm Rock Shaft Adjusting Screw.....
131056	20695	" " " " Washer
68433	20695	" " " Bushing (back).....
68435	20695	" " " " Cap....
131095	20695	" " " " Washer (fibre).....
446AL	20695	Arm Rock Shaft Bushing (back) Set Screw.....
68436	20695	Arm Rock Shaft Bushing (intermediate)
423AL	20695	" " " " Set Screw.....
131343	20720	Arm Rock Shaft Crank, back (ball bearing, solid) with two 50083AL.
50083AL	20720	Arm Rock Shaft Crank (back) Set Screw (2).....
131475	20695	Arm Rock Shaft Crank (front) with 853AL.....
127838	20695	Arm Rock Shaft Crank (front) Pin.....
131456	20695	" " " Flanged Bushing (front)
453AL	20695	" " " " Set Screw.....
42365	20695	Arm Rock Shaft Oil Pad (braided cotton) for oiling Back Bearing..
54969	20695	Arm Rock Shaft Oil Pad (braided cotton) for oiling Intermediate Bearing.....
1235F	20695	Arm Rock Shaft Oil Plug Screw.....
131476	20720	Arm Rotary Shaft.....
Note: When No. 131476 is required for repairs, the Looper Driving Shaft and Feed Lifting Eccentric must be returned to the factory to be adjusted to the new part.		
131477	-----	Arm Rotary Shaft 131476 with 640E, 68482, 131484 and 131502.....
131366	20720	Arm Rotary Shaft Ball Bearing (back) (2).....
131478	20720	Arm Rotary Shaft Ball Bearing (back) Case.....
131479	-----	Arm Rotary Shaft Ball Bearing (back) Case 131478 with 131369 and three 205C.....
131526	-----	Arm Rotary Shaft Ball Bearing (back) Case with Ball Bearings complete, Nos. 131479, 131480 and two 131366.....
131369	20720	Arm Rotary Shaft Ball Bearing (back) Case Cap.....

PARTS FOR MACHINE NO. 147-100

No.	Plate	Name
205C	20720	Arm Rotary Shaft Ball Bearing (back) Case Cap Screw (3).....
131370	20720	Arm Rotary Shaft Ball Bearing (back) Case Position Stud (3).....
429C	20720	Arm Rotary Shaft Ball Bearing (back) Case Set Screw.....
131480	20720	Arm Rotary Shaft Ball Bearing (back) Spacing Collar.....
131366	20720	Arm Rotary Shaft Ball Bearing (inter- mediate).....
131481	20720	Arm Rotary Shaft Ball Bearing (inter- mediate) Case.....
1304C	20720	Arm Rotary Shaft Ball Bearing (inter- mediate) Case Set Screw.....
131482	20720	Arm Rotary Shaft Ball Bearing (inter- mediate) Collar with two 457AL...
457AL	20720	Arm Rotary Shaft Ball Bearing (inter- mediate) Collar Set Screw (2)....
131457	20720	Arm Rotary Shaft Bushing (front).....
761E	20720	" " " " Set Screw.....
42367	20720	Arm Rotary Shaft Front Bearing Oil Pad, lower (braided cotton).....
54218	20720	Arm Rotary Shaft Front Bearing Oil Pad, upper (braided cotton).....
144D	20720	Arm Rotary Shaft Screw.....
131276	20688	Arm Side Cover (oil vent).....
131909	20688	" " " Cap.....
131280	20688	" " " " Position Pin.....
1289X	20688	" " " " Screw.....
131910	20688	" " " " Spring.....
131911	20688	Arm Side Cover (oil vent) complete, Nos. 1289X, 131276, 131280, 131909 and 131910.....
68448	20688	Arm Side Cover Gasket.....
1057AL	20688	" " " Screw (4).....
131483	20720	Balance Wheel, 2 in. pulley, with two 51283AL for round belt.....
131710	-----	Balance Wheel "V" belt groove, out- side diam. of belt groove 2.9 in., with two 51283AL.....
128510	20720	Balance Wheel Cover.....
51283AL	20720	" " " Set Screw (2).....
131374	20722	Cloth Plate.....
68368	20722	" " " Slide (left).....
131050	20722	" " " " Spring.....
725J	20722	" " " " " Screw (2).....
131051	20722	Cloth Plate Slide (left) complete, Nos. 68368, 131050 and two 725J..
131375	20722	Cloth Plate Slide (right) No Throat Plate clearance cut, for 131382..
131376	-----	Cloth Plate Slide (right) 1/16 in. Throat Plate clearance cut, for 131383.....

No.	Plate	Name
131377	-----	Cloth Plate Slide (right) 7/64 in. Throat Plate clearance cut, for 131384.....
131378	-----	Cloth Plate Slide (right) 1/8 in. Throat Plate clearance cut, for 131385.....
131379	-----	Cloth Plate Slide (right) 9/64 in. Throat Plate clearance cut, for 131386.....
131380	-----	Cloth Plate Slide (right) 3/16 in. Throat Plate clearance cut, for 131387.....
131381	20722	Cloth Plate Slide (right) Spring.....
725J	20722	" " " " " " " " Screw (2).....
131382	20722	Cloth Plate Slide (right) complete, (No Throat Plate clearance cut) for 131388, Nos. 131375, 131381 and two 725J.....
131383	-----	Cloth Plate Slide (right) complete (1/16 in. Throat Plate clearance cut) for 131389, Nos. 131376, 131381 and two 725J.....
131384	-----	Cloth Plate Slide (right) complete (7/64 in. Throat Plate clearance cut) for 131390, Nos. 131377, 131381 and two 725J.....
131385	-----	Cloth Plate Slide (right) complete (1/8 in. Throat Plate clearance cut) for 131391, Nos. 131378, 131381 and two 725J.....
131386	-----	Cloth Plate Slide (right) complete (9/64 in. Throat Plate clearance cut) for 131392, Nos. 131379, 131381 and two 725J.....
131387	-----	Cloth Plate Slide (right) complete (5/16 in. Throat Plate clearance cut) for 131393, Nos. 131380, 131381 and two 725J.....
131388	-----	Cloth Plate complete, for Throat Plates with no offset, Nos. 131051, 131374 and 131382.....
131389	-----	Cloth Plate complete, for Throat Plates with 1/16 in. offset, Nos. 131051, 131374 and 131383.....
131390	-----	Cloth Plate complete, for Throat Plates with 7/64 in. offset, Nos. 131051, 131374 and 131384.....
131391	-----	Cloth Plate complete, for Throat Plates with 1/8 in. offset, Nos. 131051, 131374 and 131385.....
131392	-----	Cloth Plate complete, for Throat Plates with 9/64 in. offset, Nos. 131051, 131374 and 131386.....
131393	-----	Cloth Plate complete, for Throat Plates with 3/16 in. offset, Nos. 131051, 131374 and 131387.....

No.	Plate	Name
1011F	20722	Cloth Plate Screw (left) (2).....
50396F	20722	" " " (right).....
131610	20722	" " " Thread Guard.....
389F	20722	" " " " " Screw (lower)
50473F	20722	" " " " " " (upper)
*131471	20720	Crank Connecting Rod with two each 896AL and 1057AL.....
Note: When No. 131471 is required for repairs, the Connecting Rod and Arm Rock Shaft Crank (back) fitted together, will be furnished. All Agency orders for this part must state the Machine Number for which it is required, in order to obtain correct Needle Bar Stroke.		
131484	-----	Crank Connecting Rod 131471 with 131343.....
896AL	20720	Crank Connecting Rod Cap (lower) Screw (2).....
1057AL	20720	Crank Connecting Rod Cap (upper) Screw (2).....
68460	20723	Face Plate (lower half).....
68461	20723	" " " " Gasket (cork)
330D	20723	" " " " " Screw (2)....
131395	20723	" " (upper half).....
29234	20723	" " " " " Position Plate
1053E	20723	" " " " " " " "
Screw.....		
51224W	20723	Face Plate (upper half) Thumb Screw..
131729	20724	Feed Bar.....
131730	20724	" " Feed Dog Seat (adjustable) with 460AL.....
190J	20724	Feed Bar Feed Dog Seat Screw.....
22436	20724	" " " " " " Washer..
131731	-----	Feed Bar with Feed Dog Leveling Device complete, Nos. 190J, 22436, 68467, 131729, 131730 and two 207E.....
131197	20724	Feed Bar Hinge Pin (eccentric).....
59343	20724	" " " " " Collar with 735AL.
735AL	20724	" " " " " " Set Screw..
134258	20724	" " Slide Block.....
134259	20724	" " " " " 134258 with 68495 and 134260.....
68495	20724	Feed Bar Slide Block Oil Pad (wick)..
134260	20724	" " " " " " Retainer
68467	20724	" " Wearing Plate.....
207E	20724	" " " " " Screw (2).....
131500	20720	Feed Connecting Rod with 1057AL, 68497, 134260 and two 896AL.....
131502	-----	Feed Connecting Rod 131500 with 54025
896AL	20720	" " " " " Cap Screw (2)....
1057AL	20720	" " " " " Clamping Screw...
68497	20720	" " " " " Oil Pad (wick)...
134260	20720	" " " " " Retainer.
131032	20729	Feed Dog, 17 teeth (16 teeth to the inch) for 3/32 in. to 1/4 in. gauges, for 131033 and 131172....

PARTS FOR MACHINE NO. 147-100

No.	Plate	Name
131321	20730	Feed Dog, 16 teeth (16 teeth to the inch) for 5/32 in. to 11/32 in. gauges, with row of teeth between the needles, for 131527 and 131528.....
131093	20731	Feed Dog, 16 teeth (16 teeth to the inch) for 3/8 in. and 13/32 in. gauges, for 131094 and 131149....
131160	20732	Feed Dog, 16 teeth (16 teeth to the inch) for 3/8 in. to 1/2 in. gauges, for 131163 and 131166....
131936	20733	Feed Dog, 14 teeth (14 teeth to the inch) with row of teeth between the needles, for 5/32 in. to 11/32 in. gauges, for 131527 and 131528.....
50073J	20729	Feed Dog Screw, when stationary Needle Guard is used.....
140275J	20732	Feed Dog Screw, when movable Needle Guard is used.....
460AL	20724	Feed Dog Stop Screw.....
*54024	-----	Feed Eccentric with 138306.....
*23729	-----	" " Body.....
51061AL	20720	" " Set Screw (3)....
7071	20720	" " Clamping Washer (2)....
217J	20720	" " " " Screw (2).....
138306	-----	Feed Eccentric Lubricating Pad (wood)
54025	20720	Feed Eccentric (adjustable) complete, Nos. 1103C, 23729, 54024, two each 217J, 7071 and three 51061AL
1103C	20720	Feed Regulating Screw.....
131240	20724	" Rocking Frame with two 453AL....
131732	-----	" " " 131240 with 59343, 131197 and 131731.....
57234	20724	Feed Rocking Frame Hinge Pin.....
57235	20724	" " " " Bushing (2).....
453AL	20724	Feed Rocking Frame Hinge Pin Bushing Set Screw (2).....
453AL	20724	Feed Rocking Frame Hinge Pin Set Screw (2).....
131458	20729	Looper (back) closed eye, for lap seam felling.....
131131	20729	Looper (back) closed eye, for general work.....
Note: When ordering No. 131131 or 131458, state gauge of Machine for which required.		
452C	20725	Looper (back) Set Screw.....
131459	20729	" (front) closed eye, for lap seam felling.....
131132	20729	Looper (front) closed eye, for general work.....
Note: When ordering No. 131132 or 131459, state gauge of Machine for which required.		
1120AL	20725	Looper (front) Set Screw.....

PARTS FOR MACHINE NO. 147-100

No.	Plate	Name
54027	20725	Looper Carrier with two 175E.....
175E	20725	" " Adjusting Screw (2)...
54227	20725	" " Connection.....
54228	20725	" " " Shaft.....
128419	20725	" " " " " 011 Pad (braided cotton).....
68478	20725	Looper Carrier Connection Shaft Sleeve (eccentric).....
51263D	20725	Looper Carrier Connection Shaft Sleeve Cap Screw.....
68479	20725	Looper Carrier Driver with four 175E.
175E	20725	" " " Cap Screw (4)..
*68481	20725	Looper Driving Shaft and Feed Lifting Eccentric.....
Note: When No. 68481 is required for repairs, the Arm Rotary Shaft must be returned to the factory to be adjusted to the new part.		
*68482	-----	Looper Driving Shaft and Feed Lifting Eccentric 68481 with 54027, 54227, 54228 and 68479.....
*68483	-----	Looper Driving Shaft and Feed Lifting Eccentric Bracket with 761E.....
948J	20720	Looper Driving Shaft and Feed Lifting Eccentric Bracket Screw.....
68484	20725	Looper Driving Shaft and Feed Lifting Eccentric Bushing.....
131028	20725	Looper Driving Shaft and Feed Lifting Eccentric Bushing Oil Plug.....
761E	20720	Looper Driving Shaft and Feed Lifting Eccentric Bushing Position Screw.
68497	-----	Looper Driving Shaft and Feed Lifting Eccentric Front Bearing Oil Pad (wick).....
640E	20720	Looper Driving Shaft and Feed Lifting Eccentric Screw.....
131052	20725	Looper Holder with 452C and 1120AL...
51119J	20725	" " Screw.....
68485	20725	" Throw-out Handle with two 443AL.....
68486	20725	Looper Throw-out Handle Plunger.....
43503	20725	" " " " Spring
443AL	20725	" " " " Set Screw (2)
131497	20723	Needle Bar (hollow).....
131498	-----	Needle Bar complete, for 3/32 in. to 1/2 in. gauges, Nos. 131044 and 131497.....
131291	20723	Needle Bar Bushing (lower).....
1133E	20723	" " " " Set Screw..
64320	20723	" " " " (upper).....
1133E	20723	" " " " Set Screw..
68488	20723	" " Connecting Link and Thread (upper) Controller
131491	-----	Needle Bar Connecting Link and Thread (upper) Controller 68488 with 68488 and 131492.....
68489	20723	Needle Bar Connecting Link Hinge Stud (hollow).....

No.	Plate	Name
1520J	20723	Needle Bar Connecting Link Hinge Stud Nut.....
131270	20723	Needle Bar Connecting Link Hinge Stud Oil Pad (wick).....
861F	20723	Needle Bar Connecting Link Hinge Stud Oil Plug Screw.....
853AL	20695	Needle Bar Connecting Link Hinge Stud Set Screw.....
131492	20723	Needle Bar Connecting Stud with 1492E
1492E	20723	" " " " Clamping Screw.....
131044	20723	Needle Clamp with two 1498F, for 3/32 in. to 1/2 in. gauges.....
131174	20732	Needle Guard (movable) for 3/16 in. to 3/8 in. gauges.....
131121	20732	Needle Guard (movable) for 13/32 in. to 1/2 in. gauges.....
68123	20724	Needle Guard (movable) Clamp.....
54067	20729	" " (stationary) for 3/32 in. to 5/32 in. gauges.....
54068	20729	Needle Guard (stationary) for 3/16 in. to 9/32 in. gauges.....
54069	20730	Needle Guard (stationary) for 5/16 in. to 3/8 in. gauges.....
131175	20731	Needle Guard (stationary) for 13/32 in. to 1/2 in. gauges.....
54038	20729	Needle Guard (stationary) Holder.....
176J	20729	" " " " Screw.....
217C	20729	" " " " Screw.....
1498F	20723	Needle Set Screw (2).....
68492	20703	Oil Pipe (back of arm) with 68497, for oiling Feed Rocking Frame Hinge Pin Front Bearing.....
68493	20703	Oil Pipe (back of arm) Clamp.....
176E	20703	" " " " " " Screw...
68494	20703	" " " " " " Connection with 68495 and two 198E, for oiling Feed Rocking Frame Hinge Pin Back Bearing.....
198E	20703	Oil Pipe (back of arm) Connection Cap Screw (2).....
68495	20703	Oil Pipe (back of arm) Connection Oil Pad (wick).....
68496	20703	Oil Pipe (back of arm) Coupling.....
1733	20703	" " " " " " Nut (brass).....
68497	20703	Oil Pipe (back of arm) Oil Pad (wick)
68498	20703	Oil Pipe (front of arm) with 131089 and two 1733, for oiling Looper Driving Shaft and Feed Lifting Eccentric Front Bearing.....
131112	20703	Oil Pipe (front of arm) with 68497 and 131003, for oiling Feed Bar Slide Block.....
68500	20703	Oil Pipe (front of arm) with 1733, 131084 and 131089, for oiling Arm Rotary Shaft Front Bearing.....

No.	Plate	Name
131113	20703	Oil Pipe (front of arm) with 68497 and 131003, for oiling Feed Connecting Rod.....
131258	-----	Oil Pipe (front of arm) complete, Nos. 68498, 68500, 131112 and 131113..
131002	20703	Oil Pipe (front of arm) Connection with two 198E, for oiling Looper Throw-out Device.....
131003	20703	Oil Pipe (front of arm) Connection with two 198E, for 131112 and 131113 (2).....
131084	20703	Oil Pipe (front of arm) Connection with two 198E, for 68500.....
198E	20703	Oil Pipe (front of arm) Connection Cap Screw (8).....
131004	20703	Oil Pipe (front of arm) Coupling (center).....
131004	20703	Oil Pipe (front of arm) Coupling (left).....
131087	20703	Oil Pipe (front of arm) Coupling (right) with Oil Lead.....
1733	20703	Oil Pipe (front of arm) Coupling Nut (brass) (3).....
131089	20703	Oil Pipe (front of arm) Oil Pad (wick) for 68498 and 68500 (2).....
68497	20703	Oil Pipe (front of arm) Oil Pad (wick) for 131112 and 131113 (2).....
131912	20723	Presser Bar (hollow).....
131006	20723	" " Bushing (lower).....
1133E	20723	" " " " " " Set Screw.....
58456	20723	Presser Bar Bushing (upper).....
1133E	20723	" " " " " " Set Screw.
131401	20723	" " " " " " Lifting Bracket with 453AL.....
11173	20723	Presser Bar Lifting Bracket Guide....
453AL	20723	" " " " " " Set Screw.....
453AL	20723	Presser Bar Lifting Bracket Set Screw
131402	20727	" " " " " " Lever.....
68184	20727	" " " " " " Extension..
161J	20727	" " " " " " " " Screw (2).....
802D	20727	Presser Bar Lifting Lever Hinge Screw
131749	20688	" " " " " " Spring.....
131750	20688	" " " " " " (auxiliary).....
131751	20688	" " " " " " Screw Stud.....
1637J	20688	" " " " " " Lock Nut
38468	20688	" " " " " " Stud.....
131830	20688	Presser Bar Spring complete, Nos. 1637J, 51697W and 131749 to 131752
131851	20688	Presser Bar Spring (less auxiliary spring) complete, Nos. 1637J, 42290K, 51697W, 131749 and 131751
26276	20729	Presser Foot Hinge Pin

No.	Plate	Name
131591	20729	Presser Foot Plate.....
46087	20729	" " Shank.....
131592	20729	Presser Foot (hinged) complete, for 3/32 in. to 13/32 in. gauges, for plain stitching, for 131094, 131172, and 131528, Nos. 26276, 46087 and 131591.....
26276	20729	Presser Foot Hinge Pin.....
131916	20729	" " Plate.....
46087	20729	" " Shank.....
131917	20729	Presser Foot (hinged) complete, for 3/32 in. to 13/32 in. gauges, for lap seam felling, Nos. 26276, 46087 and 131916.....
Note: Presser Foot No. 131917 is regularly fur- nished with this machine unless another Presser Foot is specified on order.		
26276	20732	Presser Foot Hinge Pin.....
131161	20732	" " Plate.....
54120	20732	" " Shank.....
131162	20732	Presser Foot (hinged) complete, for 3/8 in. to 1/2 in. gauges, for lap seam felling, Nos. 26276, 54120 and 131161.....
26276	20732	Presser Foot Hinge Pin.....
131164	20732	" " Plate.....
46087	20732	" " Shank.....
131165	20732	Presser Foot (hinged) complete, for 3/32 in. to 1/2 in. gauges, for plain stitching, Nos. 26276, 46087 and 131164.....
190J	20729	Presser Foot Screw.....
51697W	20688	Pressure Regulating Thumb Nut.....
131752	20688	" " " Washer for 131830.....
42290K	20688	Pressure Regulating Thumb Nut Washer for 131851.....
54291	20723	Slack Thread Regulator Hole Plug.....
131012	20727	Tension (under thread) Bracket.....
691F	20727	" " " Screw (2).....
2102	20727	Tension (under thread) Disc (4).....
51570C	20727	" " " Regulating Thumb Nut (2).....
50326C	20727	Tension (under thread) Screw Stud (2) " " " " " "
59539	-----	50326C with 51570C (2).....
131740	20727	Tension (under thread) Spring (2)....
59537	20727	" " " " " Bushing (large) (2).....
59538	20727	Tension (under thread) Spring Bushing (small) (2).....
131696	20727	Tension (under thread) Thread Guide (2).....
54070	20727	Tension (upper thread) Bracket.....

No.	Plate	Name
376J	20727	Tension (upper thread) Bracket Screw.
2102	20727	" " " Disc (4).....
51570C	20727	" " " Regulating Thumb Nut (2).....
32572	20727	Tension (upper thread) Releasing Disc (2).....
54988	20727	Tension (upper thread) Releasing Pin (2).....
54071	20727	Tension (upper thread) Releasing Shaft.....
54047	20727	Tension (upper thread) Releasing Shaft Crank with 624AL.....
54048	20727	Tension (upper thread) Releasing Shaft Crank Link.....
624AL	20727	Tension (upper thread) Releasing Shaft Crank Set Screw.....
68261	20727	Tension (upper thread) Releasing Shaft Spring.....
131011	20727	Tension (upper thread) Releasing Shaft Spring Position Plate.....
316C	20727	Tension (upper thread) Releasing Shaft Stop Screw.....
1547J	20727	Tension (upper thread) Releasing Shaft Stop Screw Nut.....
50326C	20727	Tension (upper thread) Screw Stud (2)
59539	-----	Tension (upper thread) Screw Stud 50326C with 51570C (2).....
131741	20727	Tension (upper thread) Spring (2)....
59537	20727	" " " " " Bushing (large) (2).....
59538	20727	Tension (upper thread) Spring Bushing (small) (2).....
131696	20727	Tension (upper thread) Thread Guide (2).....
53225	20727	Thread (under) Eyelet (back).....
190J	20727	" " " " " Screw... " " " Take-up with 1258AL...
131407	20720	" " " " " Oil Guard.....
131408	20728	" " " " " " Screw
50438J	20728	" " " " " Set Screw.....
1258AL	20720	" " " " " Stripper.....
131824	20728	" " " " " " Clamp.
54242	20728	" " " " " " "
190J	20728	" " " " " " Screw.....
131825	20728	Thread (under) Take-up Stripper Plate " " " " " "
131411	20728	" " " " " " "
131934	20728	Bracket..... Thread (under) Take-up Stripper Plate Bracket 131411 with 32062, 50438J, 54242, 131408, 131413 to 131415, 131824, 131825, two each 207J, 7071, 50470J and four 190J.....
965D	20728	Thread (under) Take-up Stripper Plate Bracket Screw.....
190J	20728	Thread (under) Take-up Stripper Plate Screw (3).....

No.	Plate	Name
32062	20728	Thread (under) Take-up Stripper Washer.....
131413	20728	Thread (under) Take-up Thread Guard (fibre).....
50470J	20728	Thread (under) Take-up Thread Guard Screw (2).....
131414	20728	Thread (under) Take-up Thread Guide (left).....
207J	20728	Thread (under) Take-up Thread Guide (left) Screw.....
7071	20728	Thread (under) Take-up Thread Guide (left) Screw Washer.....
131415	20728	Thread (under) Take-up Thread Guide (right).....
207J	20728	Thread (under) Take-up Thread Guide (right) Screw.....
7071	20728	Thread (under) Take-up Thread Guide (right) Screw Washer.....
128721	20727	Thread (upper) Eyelet.....
190J	20727	" " " Screw.....
131499	20723	" " Take-up with 223J.....
223J	20723	Thread (upper) Take-up Clamping Screw
131495	20727	" " " (auxiliary)...
131496	20727	" " " " "
		Clamp.....
997J	20727	Thread (upper) Take-up (auxiliary) Clamp Screw.....
131033	20729	Throat Plate, for 3/32 in. to 1/4 in. gauges, for 131032, for lap seam felling.....
131527	20730	Throat Plate, for 5/32 in. to 11/32 in. gauges, for 131321 and 131938, for lap seam felling.....
131149	20731	Throat Plate, for 3/8 in. and 13/32 in. gauges, for 131093, for lap seam felling.....
131163	20732	Throat Plate, for 3/8 in. to 1/2 in. gauges, for 131160, for lap seam felling.....
131172	20729	Throat Plate, for 3/32 in. to 1/4 in. gauges, for 131032, for plain stitching.....
131528	20730	Throat Plate, for 5/32 in. to 11/32 in. gauges, for 131321 and 131938, for plain stitching.....
131094	20731	Throat Plate, for 3/8 in. and 13/32 in. gauges, for 131093, for plain stitching.....
131166	20732	Throat Plate, for 3/8 in. to 1/2 in. gauges, for 131160, for plain stitching.....
Note: When ordering Throat Plates, state gauge required.		
742F	20729	Throat Plate Screw (2).....
*15404	-----	Trade Mark.....
131676	-----	" " Rivet (2).....

MACHINE No. 147-101

For Lap Seaming Light and Medium Weight Fabrics.
Two needles, two loopers. Gauges from 3/32 in. to 1/2 in., in steps of 1/32 in. The Standard gauges are 3/16 in. and 1/4 in. Length of stitch 6 to 25 to the inch. Needle bar stroke 1 7/32 inches. Ball Bearing. Speed 4000 R.P.M.

NOTE: THIS MACHINE IS THE SAME AS THE 147-100 MACHINE,
WITH THE FOLLOWING EXCEPTIONS:

No.	Plate	Name
131072	20721	Arm Rock Shaft Crank, back (ball bearing, solid) with two 50083AL, in place of 131343.....
131485	-----	Arm Rotary Shaft 131476 with 640E, 68459, 131111 and 131502, in place of 131477.....
68459	-----	Crank Connecting Rod 131471 with 131072, in place of 131484.....
131118	20736	Feed Dog, 16 teeth (14 teeth to the inch) for 3/8 in. to 1/2 in. gauges, for 131124 and 131215....
131241	20738	Feed Dog, 12 teeth (10 teeth to the inch) for 3/16 in. to 3/8 in. gauges, for 131115.....
68381	20738	Feed Dog, 17 teeth (14 teeth to the inch) for 3/16 in. to 3/8 in. gauges, for 131115.....
*131110	20726	Looper Driving Shaft and Feed Lifting Eccentric, in place of 68481.....
*131111	-----	Looper Driving Shaft and Feed Lifting Eccentric 131110 with 54027, 54227, 54228 and 68479, in place of 68482.....
26276	20738	Presser Foot Hinge Pin.....
131242	20738	" " Plate.....
131233	20738	" " Shank.....
131243	20738	Presser Foot (hinged) complete, for 3/16 in. to 1/2 in. gauges, for lap seam felling for work shirts and overalls, Nos. 26276, 131233 and 131242.....
26276	20736	Presser Foot Hinge Pin.....
131595	20736	" " Plate.....
131596	20736	" " Shank.....

No.	Plate	Name
131597	20736	Presser Foot (hinged) complete, for 3/8 in. to 1/2 in. gauges, for lap seam felling, for 131124, Nos. 26276, 131595 and 131596.....
26276	20736	Presser Foot Hinge Pin.....
131593	20736	" " Plate.....
36030	20736	" " Shank.....
131594	20736	Presser Foot (hinged) complete, for 3/8 in. to 1/2 in. gauges, for plain stitching, for 131215, Nos. 26276, 36030 and 131593.....
131209	20734	Throat Plate, for 3/32 in. to 1/4 in. gauges, for 131032, for lap seam felling.....
131211	20735	Throat Plate, for 5/32 in. to 11/32 in. gauges, for 131321, for lap seam felling.....
131322	20738	Throat Plate, for 5/32 in. to 11/32 in. gauges, for 131321, for lap seam felling, for elastic work on men's underwear.....
131213	20737	Throat Plate, for 3/8 in. and 13/32 in. gauges, for 131093, for lap seam felling.....
131115	20738	Throat Plate, for 3/16 in. to 3/8 in. gauges, for 68381 and 131241, for lap seam felling, for work shirts and overalls.....
131124	20736	Throat Plate, for 3/8 in. to 1/2 in. gauges, for 131118, for lap seam felling.....
131210	20734	Throat Plate, for 3/32 in. to 1/4 in. gauges, for 131032, for plain stitching.....
131212	20735	Throat Plate, for 5/32 in. to 11/32 in. gauges, for 131321, for plain stitching.....
131214	20737	Throat Plate, for 3/8 in. and 13/32 in. gauges, for 131093, for plain stitching.....
131215	20736	Throat Plate, for 3/8 in. to 1/2 in. gauges, for 131118, for plain stitching.....

147-101-20

FITTINGS FOR I47-100 MACHINE
FOR LAP SEAM FELLING - LAP SEAM FELLERS I21437 AND I21460

	5/32	1/8	5/32	3/16	7/32	1/4	9/32	5/16	11/32	3/8	13/32	7/16	15/32	1/2
Feed Dog	131032	131032	131032	131032	131032	131032	131032	131032	131032	*131093	*131093	131160	131160	131160
Feed Dog (back)	---	---	*131321	*131321	*131321	*131321	131321	131321	131321	131458	131458	131458	131458	131458
Looper (front)	131458	131458	131458	131458	131458	131458	131458	131458	131458	131458	131458	131458	131458	131458
Looper (back)	131458	131458	131458	131458	131458	131458	131458	131458	131458	131458	131458	131458	131458	131458
Needle Guard (stationary)	54067	54067	54067	54068	54068	54068	54068	54068	54068	54068	54068	54068	54068	54068
Needle Guard (movable)	---	---	---	---	---	---	---	---	---	---	---	---	---	---
Presser Foot	131917	131917	131917	131917	131917	131917	131917	131917	131917	131917	*131917	131917	131917	131917
Presser Foot (back)	---	---	---	---	---	---	---	---	---	---	---	---	---	---
Throat Plate	131033	131033	131033	131033	131033	131033	131033	131033	131033	131162	131162	131162	131162	131162
Throat Plate (back)	---	---	*131527	*131527	*131527	*131527	131527	131527	131527	*131163	*131163	131163	131163	131163

FOR PLAIN STITCHING

	5/32	1/8	5/32	3/16	7/32	1/4	9/32	5/16	11/32	3/8	13/32	7/16	15/32	1/2
Feed Dog	131032	131032	131032	131032	131032	131032	131032	131032	131032	*131093	*131093	131160	131160	131160
Feed Dog (back)	---	---	*131321	*131321	*131321	*131321	131321	131321	131321	131458	131458	131458	131458	131458
Looper (front)	131131	131131	131131	131132	131132	131132	131132	131132	131132	131132	131132	131132	131132	131132
Looper (back)	131132	131132	131132	131132	131132	131132	131132	131132	131132	131132	131132	131132	131132	131132
Needle Guard (stationary)	54067	54067	54067	54068	54068	54068	54068	54068	54068	54068	54068	54068	54068	54068
Needle Guard (movable)	---	---	---	---	---	---	---	---	---	---	---	---	---	---
Presser Foot	131592	131592	131592	131592	131592	131592	131592	131592	131592	131592	*131592	131592	131592	131592
Presser Foot (back)	---	---	---	---	---	---	---	---	---	---	---	---	---	---
Throat Plate	131172	131172	131172	131172	131172	131172	131172	131172	131172	131166	131166	131166	131166	131166
Throat Plate (back)	---	---	*131528	*131528	*131528	*131528	131528	131528	131528	*131094	*131094	131166	131166	131166

Note: Where gauges overlap regular fittings are designated by an asterisk (*)
 Note: When movable needle guard is used Needle Guard Clamp 66123 and Feed Dog Screw 140275J are also required.

FITTINGS FOR 147-101 MACHINE
FOR LAP SEAM FELLING

LAP SEAM FELLER 121438, FOR MEDIUM HEAVY MATERIAL

LAP SEAM FELLER 121437, FOR LIGHT AND MEDIUM WEIGHT MATERIAL

	3/32	1/8	5/32	3/16	7/32	1/4	9/32	5/16	11/32	3/8	13/32	7/16	15/32	1/2
Feed Dog	131032	131032	131032	131032	131032	131032	131032	131032	131032	131118	131118	131118	131118	131118
Feed Dog (back)	131131	131131	131131	131131	131131	131131	131131	131131	131131	131093	131093	131093	131093	131093
Looper (front)	131458	131458	131458	131458	131458	131458	131458	131458	131458	131458	131458	131458	131458	131458
Looper (back)	131459	131459	131459	131459	131459	131459	131459	131459	131459	131459	131459	131459	131459	131459
Needle Guard (stationary)	54067	54067	54067	54068	54068	54068	54068	54068	54069	54069	54069	54069	54069	54069
Needle Guard (movable)	131917	131917	131917	131917	131917	131917	131917	131917	131917	131917	131917	131917	131917	131917
Presser Foot	131209	131209	131209	131209	131209	131209	131209	131209	131209	131184	131184	131184	131184	131184
Throat Plate	131211	131211	131211	131211	131211	131211	131211	131211	131211	131213	131213	131213	131213	131213

FOR PLAIN STITCHING

	3/32	1/8	5/32	3/16	7/32	1/4	9/32	5/16	11/32	3/8	13/32	7/16	15/32	1/2
Feed Dog	131032	131032	131032	131032	131032	131032	131032	131032	131032	131118	131118	131118	131118	131118
Feed Dog (back)	131131	131131	131131	131131	131131	131131	131131	131131	131131	131093	131093	131093	131093	131093
Looper (front)	131458	131458	131458	131458	131458	131458	131458	131458	131458	131458	131458	131458	131458	131458
Looper (back)	131459	131459	131459	131459	131459	131459	131459	131459	131459	131459	131459	131459	131459	131459
Needle Guard (stationary)	54067	54067	54067	54068	54068	54068	54068	54068	54069	54069	54069	54069	54069	54069
Needle Guard (movable)	131592	131592	131592	131592	131592	131592	131592	131592	131592	131174	131174	131174	131174	131174
Presser Foot	131210	131210	131210	131210	131210	131210	131210	131210	131210	131184	131184	131184	131184	131184
Throat Plate	131212	131212	131212	131212	131212	131212	131212	131212	131212	131214	131214	131214	131214	131214

Note: Where gauges overlap regular fittings are designated by an asterisk (*)

Note: When movable needle guard is used Needle Guard Clamp 66123 and Feed Dog Screw 140275 are also required.

ACCESSORIES

No.	Plate	Name
120344	20691	Oiler (copper plated) with 120345....
120345	20691	" Spout, 4 1/2 in. long.....
120440	20691	Screw Driver (large).....
121108	20691	" " (small).....
120341	20691	Tweezers (curved).....
4822	20691	Wrench for 1547.....
8908	20691	" " 1520.....

BELT GUARD

No.	Plate	Name
68222	20633	Belt Guard with two wood screws 1 in. No. 12.....

BENCH STANDS

BENCH STAND NO. 79772

FOR MACHINE BASE NO. 131264

WHEN MACHINE IS MOUNTED ON TOP OF TABLE

No.	Plate	Name
79772	-----	Bench Stand with 27998, two each 41538, 126849, three wood screws 1 1/4 in. No. 12, four each 60656, wood screws 1 1/4 in. No. 10, eight wood screws 5/8 in. No. 6 and sixteen wood screws 5/8 in. No. 7.....
126849	20691	Flap Hinge with four wood screws 3/4 in. No. 7 (2).....
27998	20691	Flap Hook and Eye (brass) with wood screw 1/2 in. No. 5.....
126247	20691	Flush Bolt (2).....
126248	20691	" " Plate (2).....
41538	-----	Flush Bolt with Plate complete, Nos. 126247, 126248 and four brass wood screws 5/8 in. No. 4 (2)....
60656	20691	Hinge (4).....

BENCH STAND NO. 135115

FOR MACHINE BASE NO. 131919

WHEN MACHINE IS MOUNTED SEMI-SUBMERGED

No.	Plate	Name
135115	-----	Bench Stand with 27998, 60220 and four each 126849 with wood screws 5/8 in. No. 7 F.H. (in place of wood screws 3/4 in. No. 7 F.H.) and wood screws 1 1/2 in. No. 10 F.H.....
126849	20691	Flap Hinge with four wood screws 5/8 in. No. 7 F.H. (4).....
27998	20691	Flap Hook and Eye (large) with wood screw 1/2 in. No. 5.....
60220	-----	Flap Hook and Eye (small) with wood screw 5/8 in. No. 4.....

FOOT LIFTER PARTS

No.	Plate	Name
6439	-----	Chain, 36 in. to 45 in., with 56864 and 56865.....
Note: When ordering No. 6439, state length required.		
4879	20633	Chain Connecting Link.....
56864	20691	" Hook (large).....
56865	20691	" " (small).....
126249	20633	Treadle.....
4882	20633	" Shaft.....
126250	20633	" Spring.....
150451	20633	" Stand.....
150452	20633	Treadle complete, Nos. 4879, 4882, 126249, 126250, 150451 and two wood screws 1 in. No. 16 F.H.....

KNEE LIFTER PARTS

FOR USE WHEN MACHINE IS MOUNTED ON TOP OF TABLE

No.	Plate	Name
37563	-----	Chain, length 15 in., with 56864 and 56865.....
56864	20691	Chain Hook (large).....
56865	20691	" " (small).....
2763	20633	Rock Shaft.....
12242	20633	" " Hanger with two wood screws 1 in. No. 10 (2).....
6335	20633	Rock Shaft Knee Arm.....
6336	-----	Rock Shaft Knee Arm complete, Nos. 2766, 2767 and 6335.....

No.	Plate	Name
2766	20633	Rock Shaft Knee Arm Hub with 356C....
356C	20633	" " " " Set Screw....
2767	20633	" " " Plate with 356C.....
356C	20633	" " " " Set Screw.....
6337	20633	" " Lifting Bracket with two 356C.....
7125	20633	Rock Shaft Lifting Bracket Hook.....
356C	20633	" " " " " Set Screw.....
2770	20633	Rock Shaft Lifting Bracket Set Screw.
140219C	20633	" " Stop Dog with 140219C.....
23767	20633	" " " " Set Screw.....
		Rock Shaft complete, Nos. 2763, 2770, 6336, 6337, 7125 and two 12242....

LAP SEAM FELLERS

No.	Plate	Name
121437	20739	Lap Seam Feller (adjustable) on Shank, for sleeving, for light and medium weight material.....
121438	20740	Lap Seam Feller (adjustable) on Shank, for sleeving, for medium heavy and heavy weight material, for 147-101 Machine.....
121460	20739	Lap Seam Feller, short (adjustable) on Shank, for sleeving, for light and medium weight material, for 147-100 Machine.....
1499J	20739	Lap Seam Feller Screw.....

MACHINE BASES

MACHINE BASE NO. 131264

WHEN MACHINE IS MOUNTED ON TOP OF TABLE FOR USE WITH BENCH STAND NO. 79772

No.	Plate	Name
131263	21038	Machine Base.....
54477	21038	" " Screw Stud, to fasten base to table (3).....
131205	21038	Machine Base Screw Stud to position machine on base (4).....
51576E	21038	Machine Base Screw Stud Nut (3).....
9842	21038	" " " " " Washer (5).....
131022	21038	Machine Base Screw Stud Bushing (rubber) (4).....
131279	21038	Machine Cushion (felt) (4).....
131264	21038	Machine Base complete, Nos. 131263, three each 9842, 51576E, 54477 and four each 131205 and 131279.....

MACHINE BASE

No.	Plate	Name
131328	21038	Machine Base and Oil Drain Jar (swinging type) complete, Nos. 131264 and 131268.....

MACHINE BASE NO. 131919

WHEN MACHINE IS MOUNTED SEMI-SUBMERGED

FOR USE WITH BENCH STAND NO. 135115

No.	Plate	Name
131918	20718	Machine Base.....
51428R	20718	" " Bolt with 1778R (4).....
1778R	20718	" " " Nut (4).....
126150	20718	" " " Lock Washer (4)
69355	20718	Machine Base Bolt complete, to fasten base to table, Nos. 51428R and 126150 (4).....
131205	20718	Machine Base Screw Stud, to position machine on base (4).....
131022	21038	Machine Base Screw Stud Bushing (rubber) (4).....
131279	20718	Machine Cushion (felt) (4).....
131919	20718	Machine Base complete, Nos. 131918 and four each 69355, 131205 and 131279.....
131920	20718	Machine Base and Oil Drain Jar (swinging type) complete, Nos. 131268 and 131919.....

MACHINE BASE OIL DRAIN JAR

(SWINGING TYPE)

No.	Plate	Name
131185	21038	Jar (glass).....
131191	21038	" Cap.....
131188	21038	" Clamp.....
131217	-----	" " 131188 with 131189.....
131189	21038	" " Lever.....
1247C	21038	" " Hinge Screw (2).....
131265	21038	Nipple (long) (2).....
131266	21038	" (short).....
131267	21038	" Elbow (2).....
131268	21038	Machine Base Oil Drain Jar (swinging type) complete, Nos. 131185, 131191, 131217, 131266 and two each 1247C, 131265 and 131267....

THREAD UNWINDER

(FOR FOUR SPOOLS)

No.	Plate	Name
225257	21043	Spool Rest (for two spools) with 201018C (2).....
150203	21043	Spool Rest Cushion (felt) (4).....
225388	21043	" " Rod.....
200383C	21043	" " " Set Screw.....
201018C	21043	" " " Set Screw (2).....
202490	21043	" Stand with 200383C.....
225391	21043	Thread Guide (4).....
201696J	21043	" " Lock Nut.....
225326	21043	" " Position Cup.....
225324	21043	" " Rod with 208AL and 225322.....
208AL	21043	Thread Guide Rod Screw.....
225322	21043	" " " Washer.....
150058	21043	" Separator.....
150060	21043	" " Bracket Arm with 164J and 9525.....
164J	21043	Thread Separator Bracket Arm Clamping Screw.....
9525	21043	Thread Separator Bracket Arm Clamping Screw Washer.....
164J	21043	Thread Separator Bracket Arm Screw.....
9525	21043	" " " " " Washer.....
150061	-----	Thread Separator complete, Nos. 164J, 9525, 150058 and 150060.....
150062	21043	Thread Unwinder complete, Nos. 150061, 201696J, 202490, 225324, 225326, 225388, two 225257, three wood screws 7/8 in. No. 12 and four each 150203 and 225391.....
27739	21043	Thread Cone (wood) for large cones...
225390	21043	" " Holder, for inverted cones.....

Note: Nos. 27739 and 225390 are used with, but not included in 150062.

OBSOLETE PARTS

No.	Plate	Name
*68430	-----	Arm Oil Cup for 131309.....
131309	20741	" " " 68430 with 131310 for filling oil reservoir, use 131866
131305	20741	Arm Oil Cup Drip Pan with two 563AL..
563AL	20741	" " " " " Position Screw for 131305 (2).....
131310	20741	Arm Oil Cup Oil Tube for 131309.....
131277	20741	Arm Side Cover Cap, superseded by 131909, not interchangeable.....
51224W	20741	Arm Side Cover Cap Thumb Screw, use 1289X.....
131278	-----	Arm Side Cover (oil vent) complete, Nos. 51224W, 131276, 131277 and 131280, use 131911.....
131394	-----	Cloth Plate Thread Guard, use 131610.
131396	20742	Feed Bar, superseded by 131729, not interchangeable.....
131397	-----	Feed Bar complete, Nos. 50429AL, 68467, 131396 and two 207E, use 131731..
157J	20741	Feed Dog Screw, when stationary Needle Guard is used, for use with Feed Bar No. 131397.....
50073J	20741	Feed Dog Screw, when movable Needle Guard is used, for use with Feed Bar No. 131397.....
50429AL	20741	Feed Dog Stop Screw for 131397.....
131398	-----	Feed Rocking Frame 131240 with 59343, 131197 and 131397, use 131732....
64319	20742	Needle Bar (hollow) for 131045.....
131045	20742	Needle Bar complete, for 3/32 in. to 1/2 in. gauges, for 147-101 Machine, Nos. 64319 and 131044 use 131498.....
131399	-----	Needle Bar Connecting Link and Thread (upper) Controller 68488 with 68489 and 131400 for 147-101 Ma- chine, use 131491.....
131400	20741	Needle Bar Connecting Stud with 211F and 1492E, use 131492.....
64330	20742	Presser Bar, use 131912.....
38467	20742	" " Spring (flat).....
131158	20741	" Foot Plate for 131159.....
131159	20741	Presser Foot (hinged) complete, for 3/32 in. to 13/32 in. gauges, for lap seam felling, Nos. 26276, 54120 and 131158, use 131917.....
574W	20741	Pressure Regulating Thumb Screw.....
1539W	20741	" " " " Lock Nut.....
356C	20741	Rock Shaft Stop Dog Set Screw, use 140219C.....

OBSOLETE PARTS

No.	Plate	Name
131025	20741	Slack Thread Controller for 147-101 Machine.....
54242	20741	Slack Thread Controller Clamp for 147-101 Machine.....
190J	20741	Slack Thread Controller Clamp Screw for 147-101 Machine.....
131403	20742	Slack Thread Regulator.....
131404	20741	" " " " Holder.....
131405	20741	" " " " " Crank with 171AL.....
1423J	20741	Slack Thread Regulator Holder Crank Cap Screw.....
171AL	20741	Slack Thread Regulator Holder Crank Clamping Screw for 131405.....
131406	20741	Slack Thread Regulator Holder Crank Connection Link.....
217J	20741	Slack Thread Regulator Screw.....
59534	20741	Tension (under thread) Spring, use 131740.....
57076	20741	Tension (under thread) Thread Guide, use 131696.....
59535	20741	Tension (upper thread) Spring, use 131741.....
57076	20741	Tension (upper thread) Thread Guide (double) use 131696.....
131409	20741	Thread (under) Take-up Stripper, use 131824.....
131410	20742	Thread (under) Take-up Stripper Plate, use 131825.....
131412	-----	Thread (under) Take-up Stripper Plate Bracket 131411 with 32062, 50438J, 54242, 131408 to 131410, 131413 to 131415, two each 207J, 7071, 50470J and four 190J, use 131934.
46009	20741	Thread (upper) Eyelet for 147-101 Machine.....
131334	20741	Thread (upper) Take-up for 131335....
54095	20741	Thread (upper) Take-up Plate for 131335.....
68164	-----	Thread (upper) Take-up Plate Spring for 131335.....
1449J	20741	Thread (upper) Take-up Plate Spring Screw for 131335.....
131335	20741	Thread (upper) Take-up complete, for 147-101 Machine, Nos. 1449J, 54095, 68164 and 131334.....
211F	20741	Thread (upper) Take-up Set Screw....
15405	-----	Trade Mark Rivet, use 131676 (2)....

NUMERICAL LIST OF PARTS

No.	Plate	Name
144D	20720	Arm Rotary Shaft Screw.....
157J	20741	Feed Dog Screw, when stationary Needle Guard is used, for use with Feed Bar No.131397, obsolete
161J	20727	Presser Bar Lifting Lever Extension Screw (2).....
164J	21043	Thread Unwinder Thread Separator Bracket Arm Clamping Screw for 150060.....
164J	21043	Thread Unwinder Thread Separator Bracket Arm Screw for 150061.....
171AL	20741	Slack Thread Regulator Holder Crank Clamping Screw for 131405, obsolete.....
175E	20725	Looper Carrier Adjusting Screw for 54027 (2).....
175E	20725	Looper Carrier Driver Cap Screw for 68479 (4).....
176J	20729	Needle Guard (stationary) Holder Screw.....
176E	20703	Oil Pipe (back of arm) Clamp Screw...
190J	20724	Feed Bar Feed Dog Seat Screw for 131731.....
190J	20729	Presser Foot Screw.....
190J	20727	Thread (under) Eyelet (back) Screw...
190J	20728	Thread (under) Take-up Stripper Clamp Screw for 131412 and 131934.....
190J	20728	Thread (under) Take-up Stripper Plate Screw for 131412 and 131934 (3)...
190J	20727	Thread (upper) Eyelet Screw.....
190J	20741	Slack Thread Controller Clamp Screw for 147-101 Machines, obsolete....
198E	20703	Oil Pipe (back of arm) Connection Cap Screw for 68494 (2).....
198E	20703	Oil Pipe (front of arm) Connection Cap Screw for 131002, 131003 and 131084 (8).....
205C	20720	Arm Rotary Shaft Ball Bearing (back) Case Cap Screw for 131479 (3)....
207E	20724	Feed Bar Wearing Plate Screw for 131397 and 131731 (2).....
207J	20728	Thread (under) Take-up Thread Guide (left) Screw for 131412 and 131934.....
207J	20728	Thread (under) Take-up Thread Guide (right) Screw for 131412 and 131934.....
208AL	21043	Thread Unwinder Thread Guide Rod Screw for 225324.....
211F	20741	Thread (upper) Take-up Set Screw for 131400, obsolete.....

**Genuine Singer Needles should be used
in Singer Machines.
These Needles and their Containers
are marked with the
Company's Trade Mark "SIMANCO." 1**

**Needles in Containers marked
"For Singer Machines"
are not Singer made needles. 2**

NUMERICAL LIST OF PARTS

No.	Plate	Name
217J	20720	Feed Eccentric Clamping Washer Screw for 54025 (2).....
217C	20729	Needle Guard (stationary) Screw.....
217J	20741	Slack Thread Regulator Screw, obsolete.....
223J	20723	Thread (upper) Take-up Clamping Screw for 131499.....
316C	20727	Tension (upper thread) Releasing Shaft Stop Screw.....
330D	20723	Face Plate (lower half) Screw (2)....
356C	20633	Rock Shaft Knee Arm Hub Set Screw for 2766.....
356C	20633	Rock Shaft Knee Plate Set Screw for 2767.....
356C	20633	Rock Shaft Lifting Bracket Hook Set Screw for 6337.....
356C	20633	Rock Shaft Lifting Bracket Set Screw for 6337.....
356C	20741	Rock Shaft Stop Dog Set Screw, obsolete, use 140219C.....
376J	20727	Tension (upper thread) Bracket Screw.
389F	20722	Cloth Plate Thread Guard Screw (lower)
423AL	20695	Arm Rock Shaft Bushing (intermediate) Set Screw.....
429C	20720	Arm Rotary Shaft Ball Bearing (back) Case Set Screw.....
443AL	20725	Looper Throw-out Handle Set Screw for 68485 (2).....
446AL	20695	Arm Rock Shaft Bushing (back) Set Screw.....
452C	20725	Looper (back) Set Screw for 131052...
453AL	20695	Arm Rock Shaft Flanged Bushing (front) Set Screw.....
453AL	20724	Feed Rocking Frame Hinge Pin Bushing Set Screw for 131240 (2).....
453AL	20724	Feed Rocking Frame Hinge Pin Set Screw (2).....
453AL	20723	Presser Bar Lifting Bracket Guide Set Screw.....
453AL	20723	Presser Bar Lifting Bracket Set Screw for 131401.....
457AL	20720	Arm Rotary Shaft Ball Bearing (intermediate) Collar Set Screw for 131482 (2).....
460AL	20724	Feed Dog Stop Screw for 131730.....
563AL	20741	Arm Oil Cup Drip Pan Position Screw for 131305, obsolete (2).....
574W	20741	Pressure Regulating Thumb Screw, obsolete.....
624AL	20727	Tension (upper thread) Releasing Shaft Crank Set Screw for 54047..
640E	20720	Looper Driving Shaft and Feed Lifting Eccentric Screw for 131477 and 131485.....
691F	20727	Tension (under thread) Bracket Screw (2).....

NUMERICAL LIST OF PARTS

No.	Plate	Name
725J	20722	Cloth Plate Slide (left) Spring Screw for 131051 (2).....
725J	20722	Cloth Plate Slide (right) Spring Screw for 131382 to 131387 (2)...
735AL	20724	Feed Bar Hinge Pin Collar Set Screw for 59343.....
742F	20729	Throat Plate Screw (2).....
761E	20720	Arm Rotary Shaft Bushing (front) Set Screw.....
761E	20720	Looper Driving Shaft and Feed Lifting Eccentric Bushing Position Screw for 68483.....
802D	20727	Presser Bar Lifting Lever Hinge Screw
853AL	20695	Needle Bar Connecting Link Hinge Stud Set Screw for 131475.....
861F	20723	Needle Bar Connecting Link Hinge Stud Oil Plug Screw.....
896AL	20720	Crank Connecting Rod Cap (lower) Screw for 131471 (2).....
896AL	20720	Feed Connecting Rod Cap Screw for 131500 (2).....
948J	20720	Looper Driving Shaft and Feed Lifting Eccentric Bracket Screw for 131446.....
965D	20728	Thread (under) Take-up Stripper Plate Bracket Screw.....
997J	20727	Thread (upper) Take-up (auxiliary) Clamp Screw.....
1011F	20722	Cloth Plate Screw (left) (2).....
1053E	20723	Face Plate (upper half) Position Plate Screw.....
1057AL	20688	Arm Bottom Cover Screw (4).....
1057AL	20688	Arm Side Cover Screw (4).....
1057AL	20720	Crank Connecting Rod Cap (upper) Screw for 131471 (2).....
1057AL	20720	Feed Connecting Rod Clamping Screw for 131500.....
1103C	20720	Feed Regulating Screw for 54025.....
1120AL	20725	Looper (front) Set Screw for 131052..
1133E	20723	Needle Bar Bushing (lower) Set Screw.
1133E	20723	" " " (upper) Set Screw.
1133E	20723	Presser Bar Bushing (lower) Set Screw
1133E	20723	" " " (upper) Set Screw
1235F	20695	Arm Rock Shaft Oil Plug Screw for 131474.....
1247C	21038	Machine Base Oil Drain Jar Clamp Lever Hinge Screw for 131268 (2).
1258AL	20720	Thread (under) Take-up Set Screw for 131407.....
1289X	20688	Arm Side Cover Cap Screw for 131911..
1304C	20720	Arm Rotary Shaft Ball Bearing (intermediate) Case Set Screw.....
1309C	20695	Arm Rock Shaft Adjusting Screw.....
1423J	20741	Slack Thread Regulator Holder Crank Cap Screw, obsolete.....

NUMERICAL LIST OF PARTS

No.	Plate	Name
1449J	20741	Thread (upper) Take-up Plate Spring Screw for 131335, obsolete.....
1492E	20723	Needle Bar Connecting Stud Clamping Screw for 131400 and 131492.....
1498F	20723	Needle Set Screw for 131044 (2).....
1499J	20739	Lap Seam Feller Screw.....
1520J	20723	Needle Bar Connecting Link Hinge Stud Nut.....
1539W	20741	Pressure Regulating Thumb Screw Lock Nut, obsolete.....
1547J	20727	Tension (upper thread) Releasing Shaft Stop Screw Nut.....
1637J	20688	Presser Bar Spring Screw Stud Lock Nut for 131830 and 131851.....
1733	20703	Oil Pipe (back of arm) Coupling Nut (brass).....
1733	20703	Oil Pipe (front of arm) Coupling Nut (brass) for 68498 and 68500 (3)..
1778R	20718	Machine Base Bolt Nut for 51428 (4)..
2102	20727	Tension (under thread) Disc (4).....
2102	20727	" (upper thread) Disc (4).....
2763	20633	Rock Shaft for 23767.....
2766	20633	Rock Shaft Knee Arm Hub with 356C, for 6336.....
2767	20633	Rock Shaft Knee Plate with 356C, for 6336.....
2770	20633	Rock Shaft Stop Dog with 140219C, for 23767.....
4822	20691	Wrench for 1547 (Accessories).....
4879	20633	Chain Connecting Link for 150452.....
4882	20633	Treadle Shaft for 150452.....
6335	20633	Rock Shaft Knee Arm for 6336.....
6336	-----	Rock Shaft Knee Arm complete, for 23767, Nos. 2766, 2767 and 6335..
6337	20633	Rock Shaft Lifting Bracket with two 356C, for 23767.....
6439	-----	Chain, 36 in. to 45 in. with 56864 and 56865.....
Note: When ordering No. 6439, state length required.		
7071	20720	Feed Eccentric Clamping Washer for 54025 (2).....
7071	20728	Thread (under) Take-up Thread Guide (left) Screw Washer for 131412 and 131934.....
7071	20728	Thread (under) Take-up Thread Guide (right) Screw Washer for 131412 and 131934.....
7125	20633	Rock Shaft Lifting Bracket Hook for 23767.....
8908	20691	Wrench for 1520 (Accessories).....
9525	21043	Thread Unwinder Thread Separator Bracket Arm Clamping Screw Washer for 150060.....
9525	21043	Thread Unwinder Thread Separator Bracket Arm Screw Washer for 150061.....

NUMERICAL LIST OF PARTS

No.	Plate	Name
9842	21038	Machine Base Screw Stud Nut Washer for 131264 (3).....
11173	20723	Presser Bar Lifting Bracket Guide....
12242	20633	Rock Shaft Hanger with two wood screws 1 in. No. 10 for 23767 (2)
*15404	-----	Trade Mark for 131446.....
15405	-----	" " Rivet, obsolete, use 131676 (2).....
22436	20724	Feed Bar Feed Dog Seat Screw Washer for 131731.....
*23729	-----	Feed Eccentric Body for 54025.....
23767	20633	Rock Shaft complete, for use when Machine is mounted on top of table, Nos. 2763, 2770, 6336, 6337, 7125 and two 12242.....
26276	20729	Presser Foot Hinge Pin, for 131159, 131162, 131165, 131243, 131592, 131594, 131597 and 131917.....
27739	21043	Thread Unwinder Thread Cone (wood) for large cones, for use with 150062.....
27998	20691	Bench Stand Flap Hook and Eye (brass) with wood screw 1/2 in. No. 5 for 79772.....
27998	20691	Bench Stand Flap Hook and Eye (large) with wood screw 1/2 in. No. 5 for 135115.....
29234	20723	Face Plate (upper half) Position Plate.....
32062	20728	Thread (under) Take-up Stripper Washer for 131412 and 131934.....
32572	20727	Tension (upper thread) Releasing Disc (2).....
36030	20736	Presser Foot Shank for 131594.....
37563	-----	Chain, length 15 in. with 56864 and 56865.....
38456	20723	Presser Bar Bushing (upper).....
38467	20742	" " Spring (flat) obsolete...
38468	20688	" " " Stud.....
41538	-----	Bench Stand Flush Bolt with Plate complete, for 79772, Nos. 126247, 126248 and four brass wood screws 5/8 in. No. 4 (2).....
42290K	20688	Pressure Regulating Thumb Nut Washer for 131851.....
42365	20695	Arm Rock Shaft Oil Pad (braided cotton) for oiling Back Bearing..
42367	20720	Arm Rotary Shaft Front Bearing Oil Pad, lower (braided cotton).....
43503	20725	Looper Throw-out Handle Plunger Spring.....
46009	20741	Thread (upper) Eyelet for 147-101 Machine, obsolete.....
46087	20729	Presser Foot Shank for 131165, 131592 and 131917.....

NUMERICAL LIST OF PARTS

No.	Plate	Name
50073J	20741	Feed Dog Screw, when movable Needle Guard is used, for use with Feed Bar No. 131397, obsolete.....
50073J	20729	Feed Dog Screw, when stationary Needle Guard is used, for use with Feed Bar No. 131731.....
50083AL	20720	Arm Rock Shaft Crank (back) Set Screw for 131072 and 131343 (2).....
50326C	20727	Tension (under thread) Screw Stud for 59539 (2).....
50326C	20727	Tension (upper thread) Screw Stud for 59539 (2).....
50396F	20722	Cloth Plate Screw (right).....
50429AL	20741	Feed Dog Stop Screw for 131397, obsolete.....
50438J	20728	Thread (under) Take-up Oil Guard Screw for 131412 and 131934.....
50470J	20728	Thread (under) Take-up Thread Guard Screw for 131412 and 131934 (2)...
50473F	20722	Cloth Plate Thread Guard Screw (upper)
50608R	20688	Arm Hole Plug Screw, for access to Crank Connecting Rod (upper bearing).....
51061AL	20720	Feed Eccentric Body Set Screw for 54025 (3).....
51119J	20725	Looper Holder Screw.....
51224W	20741	Arm Side Cover Cap Thumb Screw for 131278, obsolete, use 1289X.....
51224W	20723	Face Plate (upper half) Thumb Screw..
51263D	20725	Looper Carrier Connection Shaft Sleeve Cap Screw.....
51283AL	20720	Balance Wheel Set Screw for 131483 and 131710 (2).....
51428R	20718	Machine Base Bolt with 1778R for 69353 (4).....
51570C	20727	Tension (under thread) Regulating Thumb Nut for 59539 (2).....
51570C	20727	Tension (upper thread) Regulating Thumb Nut for 59539 (2).....
51576E	21038	Machine Base Screw Stud Nut for 131264 (3).....
51697W	20688	Pressure Regulating Thumb Nut for 131830 and 131851.....
53225	20727	Thread (under) Eyelet (back).....
*54024	-----	Feed Eccentric with 138306, for 54025.....
54025	20720	Feed Eccentric (adjustable) complete, for 131502, Nos. 1103C, 23729, 54024, two each 217J, 7071 and three 51061AL.....
54027	20725	Looper Carrier with two 175E, for 68482 and 131111.....
54038	20729	Needle Guard (stationary) Holder.....
54047	20727	Tension (upper thread) Releasing Shaft Crank with 624AL.....

NUMERICAL LIST OF PARTS

No.	Plate	Name
54048	20727	Tension (upper thread) Releasing Shaft Crank Link.....
54067	20729	Needle Guard (stationary) for 3/32 in. to 5/32 in. gauges.....
54068	20729	Needle Guard (stationary) for 3/16 in. to 9/32 in. gauges.....
54069	20730	Needle Guard (stationary) for 5/16 in. to 3/8 in. gauges.....
54070	20727	Tension (upper thread) Bracket.....
54071	20727	Tension (upper thread) Releasing Shaft.....
54095	20741	Thread (upper) Take-up Plate for 131335, obsolete.....
54120	20732	Presser Foot Shank for 131159 and 131162.....
54218	20720	Arm Rotary Shaft Front Bearing Oil Pad, upper (braided cotton).....
54227	20725	Looper Carrier Connection for 68482 and 131111.....
54228	20725	Looper Carrier Connection Shaft for 68482 and 131111.....
54242	20728	Thread (under) Take-up Stripper Clamp for 131412 and 131934.....
54242	20741	Slack Thread Controller Clamp for 147-101 Machine, obsolete.....
54291	20723	Slack Thread Regulator Hole Plug.....
54477	21038	Machine Base Screw Stud, to fasten base to table for 131264 (3).....
54969	20695	Arm Rock Shaft Oil Pad (braided cotton) for oiling Intermediate Bearing.....
54988	20727	Tension (upper thread) Releasing Pin (2).....
56864	20691	Chain Hook (large) for 6439 and 37563
56865	20691	Chain Hook (small) for 6439 and 37563
57076	20741	Tension (under thread) Thread Guide, obsolete, use 131696.....
57076	20741	Tension (upper thread) Thread Guide (double) obsolete, use 131696....
57234	20724	Feed Rocking Frame Hinge Pin.....
57235	20724	Feed Rocking Frame Hinge Pin Bushing (2).....
59343	20724	Feed Bar Hinge Pin Collar with 735AL, for 131398 and 131732.....
59534	20741	Tension (under thread) Spring, obsolete, use 131740.....
59535	20741	Tension (upper thread) Spring, obsolete, use 131741.....
59537	20727	Tension (under thread) Spring Bushing (large) (2).....
59537	20727	Tension (upper thread) Spring Bushing (large) (2).....
59538	20727	Tension (under thread) Spring Bushing (small) (2).....
59538	20727	Tension (upper thread) Spring Bushing (small) (2).....

NUMERICAL LIST OF PARTS

No.	Plate	Name
59539	-----	Tension (under thread) Screw Stud 50326C with 51570C (2).....
59539	-----	Tension (upper thread) Screw Stud 50326C with 51570C (2).....
60220	-----	Bench Stand Flap Hook and Eye (small) with wood screw 5/8 in. No. 4 for 135115.....
60656	20691	Bench Stand Hinge for 79772 (4).....
64319	20742	Needle Bar (hollow) for 131045, obsolete.....
64320	20723	Needle Bar Bushing (upper).....
64330	20742	Presser Bar, obsolete, use 131912....
68123	20724	Needle Guard (movable) Clamp.....
68164	-----	Thread (upper) Take-up Plate Spring for 131335, obsolete.....
68184	20727	Presser Bar Lifting Lever Extension..
68222	20633	Belt Guard with two wood screws 1 in. No. 12.....
68261	20727	Tension (upper thread) Releasing Shaft Spring.....
68350	20695	Arm Oil Cup, for oiling Arm Rock Shaft Front Bearing.....
68368	20722	Cloth Plate Slide (left) for 131051..
68381	20738	Feed Dog, 17 teeth (14 teeth to the inch) for 3/16 in. to 3/8 in. gauges, for 131115, for 147-101 Machine.....
68428	20688	Arm Bottom Cover.....
68429	20688	" " " Gasket (cork).....
*68430	-----	" Oil Cup for 131309, obsolete.....
68433	20695	" Rock Shaft Bushing (back).....
68435	20695	" " " " " Cap....
68436	20695	Arm Rock Shaft Bushing (intermediate)
68448	20688	Arm Side Cover Gasket.....
68459	-----	Crank Connecting Rod 131471 with 131072, for 131485.....
68460	20723	Face Plate (lower half).....
68461	20723	" " " " Gasket (cork)
68467	20724	Feed Bar Wearing Plate for 131397 and 131731.....
68478	20725	Looper Carrier Connection Shaft Sleeve (eccentric).....
68479	20725	Looper Carrier Driver with four 175E, for 68482 and 131111.....
*68481	20725	Looper Driving Shaft and Feed Lifting Eccentric for 68482.....
Note: When No. 68481 is required for repairs the Arm Rotary Shaft must be returned to the factory to be adjusted to the new part.		
*68482	-----	Looper Driving Shaft and Feed Lifting Eccentric 68481 with 54027, 54227, 54228 and 68479, for 131477.....
*68483	-----	Looper Driving Shaft and Feed Lifting Eccentric Bracket with 761E, for 131446.....

NUMERICAL LIST OF PARTS

No.	Plate	Name
68484	20725	Looper Driving Shaft and Feed Lifting Eccentric Bushing.....
68485	20725	Looper Throw-out Handle with two 443AL.....
68486	20725	Looper Throw-out Handle Plunger.....
68488	20723	Needle Bar Connecting Link and Thread (upper) Controller for 131399 and 131491.....
68489	20723	Needle Bar Connecting Link Hinge Stud (hollow) for 131399 and 131491...
68492	20703	Oil Pipe (back of arm) with 68497, for oiling Feed Rocking Frame Hinge Pin Front Bearing.....
68493	20703	Oil Pipe (back of arm) Clamp.....
68494	20703	" " " " " Connection with 68495 and two 198E, for oilng Feed Rocking Frame Hinge Pin Back Bearing.....
68495	20724	Feed Bar Slide Block Oil Pad (wick) for 134259.....
68495	20703	Oil Pipe (back of arm) Connection Oil Pad (wick) for 68494.....
68496	20703	Oil Pipe (back of arm) Coupling.....
68497	20720	Feed Connecting Rod Oil Pad (wick) for 131500.....
68497	-----	Looper Driving Shaft and Feed Lifting Eccentric Front Bearing Oil Pad (wick).....
68497	20703	Oil Pipe (back of arm) Oil Pad (wick) for 68492.....
68497	20703	Oil Pipe (front of arm) Oil Pad (wick) for 131112 and 131113 (2).
68498	20703	Oil Pipe (front of arm) with 131089 and two 1733, for oiling Looper Driving Shaft and Feed Lifting Eccentric Front Bearing for 131258.....
68500	20703	Oil Pipe (front of arm) with 1733, 131084 and 131089, for oiling Arm Rotary Shaft Front Bearing for 131258.....
69353	20718	Machine Base Bolt complete, to fasten base to table for 131919, Nos. 51428R and 126150 (4).....
79772	-----	Bench Stand with 27998, two each 41538, 126849, three wood screws 1 1/4 in. No. 12, four each 60656, wood screws 1 1/4 in. No. 10, eight wood screws 5/8 in. No. 6 and sixteen wood screws 5/8 in. No. 7 for Machine Base No. 131264 when Machine is mounted on top of table.....
120341	20691	Tweezers (curved) Accessories.....
120344	20691	Oiler (copper plated) with 120345 (Accessories).....

NUMERICAL LIST OF PARTS

No.	Plate	Name
120345	20691	Oiler Spout, 4 1/2 in. long for 120344.....
120440	20691	Screw Driver (large) Accessories.....
121108	20691	" " (small) Accessories.....
121437	20739	Lap Seam Feller (adjustable) on Shank for sleeving, for light and medium weight material.....
121438	20740	Lap Seam Feller (adjustable) on Shank for sleeving, for medium heavy and heavy weight material, for 147-101 Machine.....
121460	20739	Lap Seam Feller, short (adjustable) on Shank for sleeving, for light and medium weight material, for 147-100 Machine.....
126150	20718	Machine Base Bolt Nut Lock Washer for 69353 (4).....
126247	20691	Bench Stand Flush Bolt for 41538 (2).
126248	20691	Bench Stand Flush Bolt Plate for 41538 (2).....
126249	20633	Treadle, for 150452.....
126250	20633	" Spring for 150452.....
126849	20691	Bench Stand Flap Hinge with four wood screws 5/8 in. No. 7 F.H. for 135115 (4).....
126849	20691	Bench Stand Flap Hinge with four wood screws 3/4 in. No. 7, for 79772 (2).....
127838	20695	Arm Rock Shaft Crank (front) Pin for 131474.....
128419	20725	Looper Carrier Connection Shaft Oil Pad (braided cotton).....
128510	20720	Balance Wheel Cover.....
128721	20727	Thread (upper) Eyelet.....
131002	20703	Oil Pipe (front of arm) Connection with two 198E, for oiling Looper Throw-out Device.....
131003	20703	Oil Pipe (front of arm) Connection with two 198E, for 131112 and 131113 (2).....
131004	20703	Oil Pipe (front of arm) Coupling (center).....
131004	20703	Oil Pipe (front of arm) Coupling (left).....
131006	20723	Presser Bar Bushing (lower).....
131011	20727	Tension (upper thread) Releasing Shaft Spring Position Plate.....
131012	20727	Tension (under thread) Bracket.....
131022	21038	Machine Base Screw Stud Bushing (rubber) for 131446 (4).....
131025	20741	Slack Thread Controller for 147-101 Machine, obsolete.....
131028	20725	Looper Driving Shaft and Feed Lifting Eccentric Bushing Oil Plug.....

NUMERICAL LIST OF PARTS

No.	Plate	Name
131032	20729	Feed Dog, 17 teeth (16 teeth to the inch) for 3/32 in. to 1/4 in. gauges for 131033 and 131172 for 147-100 Machine and for 131209 and 131210 for 147-101 Machine...
131033	20729	Throat Plate for 3/32 in. to 1/4 in. gauges, for 131032, for lap seam felling, for 147-100 Machine.....
Note: When ordering Throat Plates, state gauge required.		
131044	20723	Needle Clamp with two 1498F, for 3/32 in. to 1/2 in. gauges for 131045 and 131498.....
131045	20742	Needle Bar complete for 3/32 in. to 1/2 in. gauges for 147-101 Machine, Nos. 64319 and 131044, obsolete, use 131498.....
131050	20722	Cloth Plate Slide (left) Spring for 131051.....
131051	20722	Cloth Plate Slide (left) complete for 131388 to 131393, Nos. 68368, 131050 and two 725J.....
131052	20725	Looper Holder with 452C and 1120AL...
131056	20695	Arm Rock Shaft Adjusting Screw Washer
131072	20721	Arm Rock Shaft Crank, back (ball bearing, solid) with two 50083AL, for 68459.....
131084	20703	Oil Pipe (front of arm) Connection with two 198E, for 68500.....
131087	20703	Oil Pipe (front of arm) Coupling (right) with Oil Lead.....
131089	20703	Oil Pipe (front of arm) Oil Pad (wick) for 68498 and 68500 (2)...
131093	20731	Feed Dog, 16 teeth (16 teeth to the inch) for 3/8 in. and 13/32 in. gauges, for 131094 and 131149 for 147-100 Machine and 131213 and 131214 for 147-101 Machine.....
131094	20731	Throat Plate for 3/8 in. and 13/32 in. gauges, for 131093, for plain stitching, for 147-100 Machine...
Note: When ordering Throat Plates, state gauge required.		
131095	20695	Arm Rock Shaft Bushing (back) Cap Washer (fibre).....
*131110	20726	Looper Driving Shaft and Feed Lifting Eccentric for 131111.....
*131111	-----	Looper Driving Shaft and Feed Lifting Eccentric 131110 with 54027, 54227, 54228 and 68479, for 131485.....
131112	20703	Oil Pipe (front of arm) with 68497 and 131003 for oiling Feed Bar Slide Block for 131258.....
131113	20703	Oil Pipe (front of arm) with 68497 and 131003, for oiling Feed Connecting Rod for 131258.....

No.	Plate	Name
131115	20738	Throat Plate for 3/16 in. to 3/8 in. gauges, for 68381 and 131241, for lap seam felling for work shirts and overalls, for 147-101 Machine
Note: When ordering Throat Plates, state gauge required.		
131118	20736	Feed Dog, 16 teeth (14 teeth to the inch) for 3/8 in. to 1/2 in. gauges, for 131124 and 131215, for 147-101 Machine.....
131121	20732	Needle Guard (movable) for 13/32 in. to 1/2 in. gauges.....
131124	20736	Throat Plate for 3/8 in. to 1/2 in. gauges, for 131118, for lap seam felling, for 147-101 Machine.....
Note: When ordering Throat Plates, state gauge required.		
131131	20729	Looper (back) closed eye, for general work.....
131132	20729	Looper (front) closed eye, for general work.....
Note: When ordering Nos. 131131 and 131132, state gauge of machine for which required.		
131149	20731	Throat Plate for 3/8 in. and 13/32 in. gauges for 131093, for lap seam felling, for 147-100 Machine.....
Note: When ordering Throat Plates, state gauge required.		
131158	20741	Presser Foot Plate for 131159, obsolete.....
131159	20741	Presser Foot (hinged) complete, for 3/32 in. to 13/32 in. gauges, for lap seam felling, Nos. 26276, 54120 and 131158, obsolete, use 131917.....
131160	20732	Feed Dog, 16 teeth (16 teeth to the inch) for 3/8 in. to 1/2 in. gauges, for 131163 and 131166, for 147-100 Machine.....
131161	20732	Presser Foot Plate for 131162.....
131162	20732	Presser Foot (hinged) complete, for 3/8 in. to 1/2 in. gauges, for lap seam felling, for 147-100 Machine, Nos. 26276, 54120 and 131161.....
131163	20732	Throat Plate for 3/8 in. to 1/2 in. gauges, for 131160, for lap seam felling, for 147-100 Machine.....
131164	20732	Presser Foot Plate for 131165.....
131165	20732	Presser Foot (hinged) complete for 3/32 in. to 1/2 in. gauges, for plain stitching, for 147-100 Machine, Nos. 26276, 46087 and 131164.....

No.	Plate	Name
131166	20732	Throat Plate for 3/8 in. to 1/2 in. gauges, for 131160, for plain stitching, for 147-100 Machine...
Note: When ordering Throat Plates, state gauge required.		
131172	20729	Throat Plate for 3/32 in. to 1/4 in. gauges, for 131032, for plain stitching, for 147-100 Machine...
Note: When ordering Throat Plates, state gauge required.		
131174	20732	Needle Guard (movable) for 3/16 in. to 3/8 in. gauges.....
131175	20731	Needle Guard (stationary) for 13/32 in. to 1/2 in. gauges.....
131185	21038	Machine Base Oil Drain Jar (glass) for 131268.....
131188	21038	Machine Base Oil Drain Jar Clamp for 131217.....
131189	21038	Machine Base Oil Drain Jar Clamp Lever for 131217.....
131191	21038	Machine Base Oil Drain Jar Cap for 131268.....
131197	20724	Feed Bar Hinge Pin (eccentric) for 131398 and 131732.....
131205	21038	Machine Base Screw Stud, to position machine on base, for 131264 and 131919 (4).....
131209	20734	Throat Plate for 3/32 in. to 1/4 in. gauges, for 131032, for lap seam felling, for 147-101 Machine.....
131210	20734	Throat Plate for 3/32 in. to 1/4 in. gauges, for 131032, for plain stitching, for 147-101 Machine...
131211	20735	Throat Plate for 5/32 in. to 11/32 in. gauges, for 131321, for lap seam felling, for 147-101 Machine...
131212	20735	Throat Plate for 5/32 in. to 11/32 in. gauges, for 131321, for plain stitching, for 147-101 Machine...
131213	20737	Throat Plate for 3/8 in. and 13/32 in. gauges, for 131093, for lap seam felling, for 147-101 Machine...
131214	20737	Throat Plate for 3/8 in. and 13/32 in. gauges, for 131093, for plain stitching, for 147-101 Machine...
131215	20736	Throat Plate for 3/8 in. to 1/2 in. gauges, for 131118, for plain stitching, for 147-101 Machine ..
Note: When ordering Throat Plates, state gauge required.		
131217	-----	Machine Base Oil Drain Jar Clamp 131188 with 131189, for 131268...
131233	20738	Presser Foot Shank for 131243.....
131240	20724	Feed Rocking Frame with two 453AL, for 131398 and 131732.....
131241	20738	Feed Dog, 12 teeth (10 teeth to the inch) for 3/16 in. to 3/8 in. gauges for 131115, for 147-101 Machine.....

NUMERICAL LIST OF PARTS

No.	Plate	Name
131242	20738	Presser Foot Plate for 131243.....
131243	20738	Presser Foot (hinged) complete for 3/16 in. to 1/2 in. gauges, for lap seam felling, for work shirts and overalls, for 147-101 Machine, Nos. 26276, 131233 and 131242....
131258	-----	Oil Pipe (front of arm) complete, Nos. 68498, 68500, 131112 and 131113..
131263	21038	Machine Base for 131264.....
131264	21038	Machine Base complete, for 131328, Nos. 131263, three each 9842, 51576E, 54477 and four each 131205 and 131279.....
131265	21038	Machine Base Oil Drain Jar Nipple (long) for 131268 (2).....
131266	21038	Machine Base Oil Drain Jar Nipple (short) for 131268.....
131267	21038	Machine Base Oil Drain Jar Nipple Elbow for 131268 (2).....
131268	21038	Machine Base Oil Drain Jar (swinging type) complete, for 131328 and 131920, Nos. 131185, 131191, 131217, 131266 and two each 1247C, 131265 and 131267.....
131270	20723	Needle Bar Connecting Link Hinge Stud Oil Pad (wick).....
131276	20688	Arm Side Cover (oil vent) for 131278 and 131911.....
131277	20741	Arm Side Cover Cap for 131278, obsolete, superseded by 131909, not interchangeable.....
131278	-----	Arm Side Cover (oil vent) complete, Nos. 51224W, 131276, 131277 and 131280, obsolete, use 131911.....
131279	21038	Machine Base Machine Cushion (felt) for 131264 and 131919 (4).....
131280	20688	Arm Side Cover Cap Position Pin for 131278 and 131911.....
131291	20723	Needle Bar Bushing (lower).....
131293	20695	Arm Rock Shaft for 131474.....
131305	20741	Arm Oil Cup Drip Pan with two 563AL, obsolete.....
131309	20741	Arm Oil Cup 68430 with 131310 for filling oil reservoir, obsolete, use 131866.....
131310	20741	Arm Oil Cup Oil Tube for 131309, obsolete.....
131319	20695	Arm Oil Cup Oil Pad (braided cotton) for 68350.....
131321	20730	Feed Dog, 16 teeth (16 teeth to the inch) for 5/32 in. to 11/32 in. gauges, with row of teeth between the needles, for 131527 and 131528 for 147-100 Machine, and for 131211, 131212 and 131322, for 147-101 Machine.....

NUMERICAL LIST OF PARTS

No.	Plate	Name
131322	20738	Throat Plate for 5/32 in. to 11/32 in. gauges, for 131321, for lap seam felling, for elastic work on men's underwear, for 147-101 Machine.....
Note: When ordering Throat Plates, state gauge required.		
131328	21038	Machine Base and Oil Drain Jar (swinging type) complete, for use when Machine is mounted on top of table, for use with Bench Stand No. 79772, Nos. 131264 and 131268
131334	20741	Thread (upper) Take-up for 131335, obsolete.....
131335	20741	Thread (upper) Take-up complete for 147-101 Machine, Nos. 1449J, 54095, 68164 and 131334, obsolete.....
131343	20720	Arm Rock Shaft Crank, back (ball bearing, solid) with two 50083AL, for 131484.....
131366	20720	Arm Rotary Shaft Ball Bearing (back) for 131526 (2).....
131366	20720	Arm Rotary Shaft Ball Bearing (intermediate).....
131369	20720	Arm Rotary Shaft Ball Bearing (back) Case Cap for 131479.....
131370	20720	Arm Rotary Shaft Ball Bearing (back) Case Position Stud (3).....
131374	20722	Cloth Plate for 131388 to 131393.....
131375	20722	Cloth Plate Slide (right) No Throat Plate clearance cut, for 131382..
131376	-----	Cloth Plate Slide (right) 1/16 in. Throat Plate clearance cut, for 131383.....
131377	-----	Cloth Plate Slide (right) 7/64 in. Throat Plate clearance cut, for 131384.....
131378	-----	Cloth Plate Slide (right) 1/8 in. Throat Plate clearance cut, for 131385.....
131379	-----	Cloth Plate Slide (right) 9/64 in. Throat Plate clearance cut, for 131386.....
131380	-----	Cloth Plate Slide (right) 3/16 in. Throat Plate clearance cut, for 131387.....
131381	20722	Cloth Plate Slide (right) Spring for 131382 to 131387.....
131382	20722	Cloth Plate Slide (right) complete (No Throat Plate clearance cut) for 131388, Nos. 131375, 131381 and two 725J.....
131383	-----	Cloth Plate Slide (right) complete (1/6 in. Throat Plate clearance cut) for 131389, Nos. 131376, 131381 and two 725J.....

No.	Plate	Name
131384	-----	Cloth Plate Slide (right) complete (7/64 in. Throat Plate clearance cut) for 131390, Nos. 131377, 131381 and two 725J.....
131385	-----	Cloth Plate Slide (right) complete (1/8 in. Throat Plate clearance cut) for 131391, Nos. 131378, 131381 and two 725J.....
131386	-----	Cloth Plate Slide (right) complete (9/64 in. Throat Plate clearance cut) for 131392, Nos. 131379, 131381 and two 725J.....
131387	-----	Cloth Plate Slide (right) complete (3/16 in. Throat Plate clearance cut) for 131393, Nos. 131380, 131381 and two 725J.....
131388	-----	Cloth Plate complete, for Throat Plates with no offset, Nos. 131051, 131374 and 131382.....
131389	-----	Cloth Plate complete, for Throat Plates with 1/6 in. offset, Nos. 131051, 131374 and 131383.....
131390	-----	Cloth Plate complete, for Throat Plates with 7/64 in. offset, Nos. 131051, 131374 and 131384.....
131391	-----	Cloth Plate complete, for Throat Plates with 1/8 in. offset, Nos. 131051, 131374 and 131385.....
131392	-----	Cloth Plate complete, for Throat Plates with 9/64 in. offset, Nos. 131051, 131374 and 131386.....
131393	-----	Cloth Plate complete, for Throat Plates with 3/16 in. offset, Nos. 131051, 131374 and 131387.....
131394	-----	Cloth Plate Thread Guard, obsolete, use 131610.....
131395	20723	Face Plate (upper half).....
131396	20742	Feed Bar for 131397, obsolete, superseded by 131729, not interchangeable.....
131397	-----	Feed Bar complete, for 131398, Nos. 50429AL, 68467, 131396 and two 207E, obsolete, use 131731.....
131398	-----	Feed Rocking Frame 131240 with 59343, 131197 and 131397, obsolete, use 131732.....
131399	-----	Needle Bar Connecting Link and Thread (upper) Controller 68488 with 68489 and 131400, for 147-101 Machine, obsolete, use 131491.....
131400	20741	Needle Bar Connecting Stud with 211F and 1492E, for 131399, obsolete, use 131492.....
131401	20723	Presser Bar Lifting Bracket with 453AL.....

No.	Plate	Name
131402	20727	Presser Bar Lifting Lever.....
131403	20742	Slack Thread Regulator, obsolete.....
131404	20741	Slack Thread Regulator Holder, obsolete.....
131405	20741	Slack Thread Regulator Holder Crank with 171AL, obsolete.....
131406	20741	Slack Thread Regulator Holder Crank Connecting Link, obsolete.....
131407	20720	Thread (under) Take-up with 1258AL...
131408	20728	Thread (under) Take-up Oil Guard for 131412 and 131934.....
131409	20741	Thread (under) Take-up Stripper for 131412, obsolete, use 131824.....
131410	20742	Thread (under) Take-up Stripper Plate For 131412, obsolete, use 131825.
131411	20728	Thread (under) Take-up Stripper Plate Bracket for 131412 and 131934....
131412	-----	Thread (under) Take-up Stripper Plate Bracket 131411 with 32062, 50438J, 54242, 131408 to 131410, 131413 to 131415, two each 207J, 7071, 50470J and four 190J, obsolete, use 131934.....
131413	20728	Thread (under) Take-up Thread Guard (fibre) for 131412 and 131934....
131414	20728	Thread (under) Take-up Thread Guide (left) for 131412 and 131934.....
131415	20728	Thread (under) Take-up Thread Guide (right) for 131412 and 131934....
*131446	-----	Arm, upper and lower (solid) with 948J, 15404, 68483, two 131676 and four 131022.....
131456	20695	Arm Rock Shaft Flanged Bushing (front)
131457	20720	Arm Rotary Shaft Bushing (front)....
131458	20729	Looper (back) closed eye, for lap seam felling.....
131459	20729	Looper (front) closed eye, for lap seam felling.....
Note: When ordering Nos. 131458 and 131459, state gauge of machine for which required.		
*131471	20720	Crank Connecting Rod with two each 896AL and 1057AL, for 68459 and 131484.....
Note: When No. 131471 is required for repairs the Connecting Rod and Arm Rock Shaft Crank (back) fitted together will be furnished. All Agency orders for this part must state the Machine No. for which it is required, in order to obtain correct Needle Bar stroke.		
131474	-----	Arm Rock Shaft 131293 with 1235F, 127838 and 131475.....
131475	20695	Arm Rock Shaft Crank (front) with 853AL, for 131474.....

NUMERICAL LIST OF PARTS

No.	Plate	Name
131476	20720	Arm Rotary Shaft for 131477 and 131485.....
Note: When No. 131476 is required for repairs, the Loooper Driving Shaft and Feed Lifting Eccentric must be returned to the factory to be adjusted to the new part.		
131477	-----	Arm Rotary Shaft 131476 with 640E, 68482, 131484 and 131502, for 147-100 Machine.....
131478	20720	Arm Rotary Shaft Ball Bearing (back) Case for 131479.....
131479	-----	Arm Rotary Shaft Ball Bearing (back) Case 131478 with 131369 and three 205C, for 131526.....
131480	20720	Arm Rotary Shaft Ball Bearing (back) Spacing Collar for 131528.....
131481	20720	Arm Rotary Shaft Ball Bearing (intermediate) Case.....
131482	20720	Arm Rotary Shaft Ball Bearing (intermediate) Collar with two 457AL...
131483	20720	Balance Wheel, 2 in. pulley, with two 51283AL, for round belt.....
131484	-----	Crank Connecting Rod 131471 with 131343, for 131477.....
131485	-----	Arm Rotary Shaft 131476 with 640E, 68459, 131111 and 131502, for 147-101 Machine.....
131491	-----	Needle Bar Connecting Link and Thread (upper) Controller 68488 with 68489 and 131492.....
131492	20723	Needle Bar Connecting Stud with 1492E, for 131491.....
131495	20727	Thread (upper) Take-up (auxiliary)...
131496	20727	Thread (upper) Take-up (auxiliary) Clamp.....
131497	20723	Needle Bar (hollow) for 131498.....
131498	-----	Needle Bar complete, for 3/32 in. to 1/2 in. gauges, Nos. 131044 and 131497.....
131499	20723	Thread (upper) Teke-up with 223J.....
131500	20720	Feed Connecting Rod with 1057AL, 68497, 134260 and two 896AL, for 131502.
131502	-----	Feed Connecting Rod 131500 with 54025, for 131477 and 131485.....
131526	-----	Arm Rotary Shaft Ball Bearing (back) Case with Ball Bearings complete, Nos. 131479, 131480 and two 131366.....
131527	20730	Throat Plate for 5/32 in. to 11/32 in. gauges, for 131321 and 131938, for lap seam felling, for 147-100 Machine.....

NUMERICAL LIST OF PARTS

No.	Plate	Name
131528	20730	Throat Plate for 5/32 in. to 11/32 in. gauges, for 131321 and 131938, for plain stitching for 147-100 Machine.....
Note: When ordering Throat Plates, state gauge required.		
131591	20729	Presser Foot Plate for 131592.....
131592	20729	Presser Foot (hinged) complete, for 3/32 in. to 13/32 in. gauges, for plain stitching, for 131094, 131172 and 131528, for 147-100 Machine, and for 131210, 131212 and 131214, for 147-101 Machine, Nos. 26276, 46087 and 131591.....
131593	20736	Presser Foot Plate for 131594.....
131594	20736	Presser Foot (hinged) complete, for 3/8 in. to 1/2 in. gauges, for plain stitching, for 131215, for 147-101 Machine, Nos. 26276, 36030 and 131593.....
131595	20736	Presser Foot Plate for 131597.....
131596	20736	Presser Foot Shank for 131597.....
131597	20736	Presser Foot (hinged) complete, for 3/8 in. to 1/2 in. gauges, for lap seam felling, for 131124, for 147-101 Machine, Nos. 26276, 131595 and 131596.....
131610	20722	Cloth Plate Thread Guard.....
131676	-----	Trade Mark Rivet for 131446 (2).....
131696	20727	Tension (under thread) Thread Guide (2).....
131696	20727	Tension (upper thread) Thread Guide (2).....
131710	-----	Balance Wheel, "V" belt groove, outside diam. of belt groove 2.9 in., with two 51283AL.....
131729	20724	Feed Bar for 131731.....
131730	20724	Feed Bar Feed Dog Seat (adjustable) with 460AL, for 131731.....
131731	-----	Feed Bar with Feed Dog Leveling Device complete, for 131732, Nos. 190J, 22436, 68467, 131729, 131730 and two 207E.....
131732	-----	Feed Rocking Frame 131240 with 59343, 131197 and 131731.....
131740	20727	Tension (under thread) Spring (2)....
131741	20727	Tension (upper thread) Spring (2)....
131749	20688	Presser Bar Spring for 131830 and 131851.....
131750	20688	Presser Bar Spring (auxiliary) for 131830.....
131751	20688	Presser Bar Spring Screw Stud for 131830 and 131851.....
131752	20688	Pressure Regulating Thumb Nut Washer for 131830.....

NUMERICAL LIST OF PARTS

No.	Plate	Name
131824	20728	Thread (under) Take-up Stripper for 131934.....
131825	20728	Thread (under) Take-up Stripper Plate for 131934.....
131830	20688	Presser Bar Spring complete, Nos. 1637J, 51697W and 131749 to 131752
131851	20688	Presser Bar Spring (less auxiliary spring) complete, Nos. 1637J, 42290K, 51697W, 131749 and 131751..
131864	20720	Arm Oil Cup for 131866.....
131865	20720	Arm Oil Cup Oil Gauge for 131866.....
131866	20720	Arm Oil Cup with Oil Gauge complete, for filling oil reservoir, Nos. 131864 and 131865.....
131909	20688	Arm Side Cover Cap for 131911.....
131910	20688	" " " Spring for 131911..
131911	20688	Arm Side Cover (oil vent) complete, Nos. 1289X, 131276, 131280, 131909 and 131910.....
131912	20723	Presser Bar (hollow).....
131916	20729	Presser Foot Plate for 131917.....
131917	20729	Presser Foot (hinged) complete for 3/32 in. to 13/32 in., for lap seam felling, Nos. 26276, 46087 and 131916.....
Note: Presser Foot No. 131917 is regularly furnished with these machines, unless another Presser Foot is specified on order.		
131918	20718	Machine Base for 131919.....
131919	20718	Machine Base complete for 131920, Nos. 131918 and four each 69353, 131205 and 131279.....
131920	20718	Machine Base and Oil Drain Jar (swinging type) complete for use when machine is mounted semi-submerged for use with Bench Stand No. 135115, Nos. 131268 and 131919
131934	20728	Thread (under) Take-up Stripper Plate Bracket 131411 with 32062, 50438J, 54242, 131408, 131413 to 131415, 131824, 131825, two each 207J, 7071, 50470J and four 190J.....
131938	20733	Feed Dog, 14 teeth (14 teeth to the inch) with row of teeth between the needles, for 5/32 in. to 11/32 in. gauges, for 131527 and 131528, for 147-100 Machine.....
134258	20724	Feed Bar Slide Block for 134259.....
134259	20724	Feed Bar Slide Block 134258 with 68495 and 134260.....
134260	20724	Feed Bar Slide Block Oil Pad Retainer for 134259.....
134260	20720	Feed Connecting Rod Oil Pad Retainer for 131500.....

NUMERICAL LIST OF PARTS

No.	Plate	Name
135115	-----	Bench Stand with 29998, 60220 and four each 126849 with wood screws 5/8 in. No. 7 F.H. (in place of wood screws 3/4 in. No. 7 F.H.) and wood screws 1 1/2 in. No. 10 F.H. for use with Machine Base No. 131919 when machine is mounted semi-submerged.....
138306	-----	Feed Eccentric Lubricating Pad* (wood) for 54024.....
139017	20688	Arm Hole Plug Screw Washer.....
1402190	20633	Rock Shaft Stop Dog Set Screw for 2770.....
140275J	20732	Feed Dog Screw, when movable Needle Guard is used.....
150058	21043	Thread Unwinder Thread Separator for 150061.....
150060	21043	Thread Unwinder Thread Separator Bracket Arm with 164J and 9525, for 150061.....
150061	-----	Thread Unwinder Thread Separator complete, for 150062, Nos. 164J, 9525, 150058 and 150060.....
150062	21043	Thread Unwinder complete (for four spools) Nos. 150061, 201696J, 202490, 225324, 225326, 225388, two 225257, three wood screws 7/8 in. No. 12 and four each 150203 and 225391..
150203	21043	Thread Unwinder Spool Rest Cushion (felt) for 150062 (4).....
150451	20633	Treadle Stand for 150452.....
150452	20633	Treadle complete, Nos. 4879, 4882, 126249, 126250, 150451 and two wood screws 1 in. No. 16 F.H.....
200383C	21043	Thread Unwinder Spool Rest Rod Set Screw for 202490.....
201018C	21043	Thread Unwinder Spool Rest Set Screw for 225257 (2).....
201696J	21043	Thread Unwinder Thread Guide Lock Nut for 150062.....
202490	21043	Thread Unwinder Spool Stand with 200383C, for 150062.....
225257	21043	Thread Unwinder Spool Rest (for two spools) with 201018C, for 150062 (2).....
225322	21043	Thread Unwinder Thread Guide Rod Washer for 225324.....
225324	21043	Thread Unwinder Thread Guide Rod with 208AL and 225322, for 150062.....
225326	21043	Thread Unwinder Thread Guide Position Cup for 150062.....
225388	21043	Thread Unwinder Spool Rest Rod for 150062.....
225390	21043	Thread Unwinder Thread Cone Holder, for inverted cones, for use with 150062.....

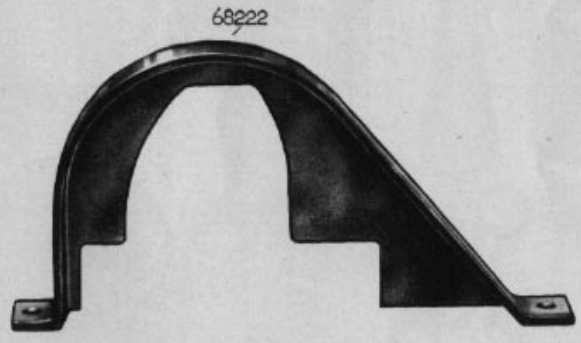
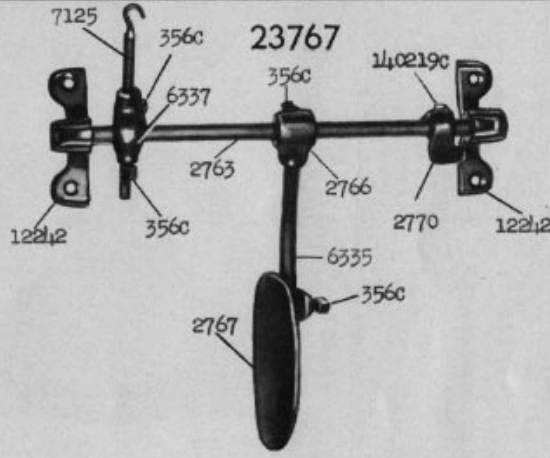
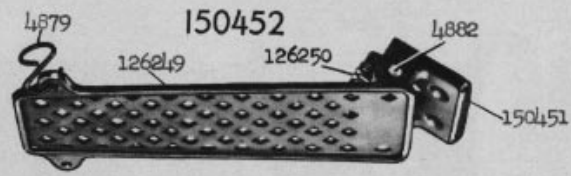
NUMERICAL LIST OF PARTS

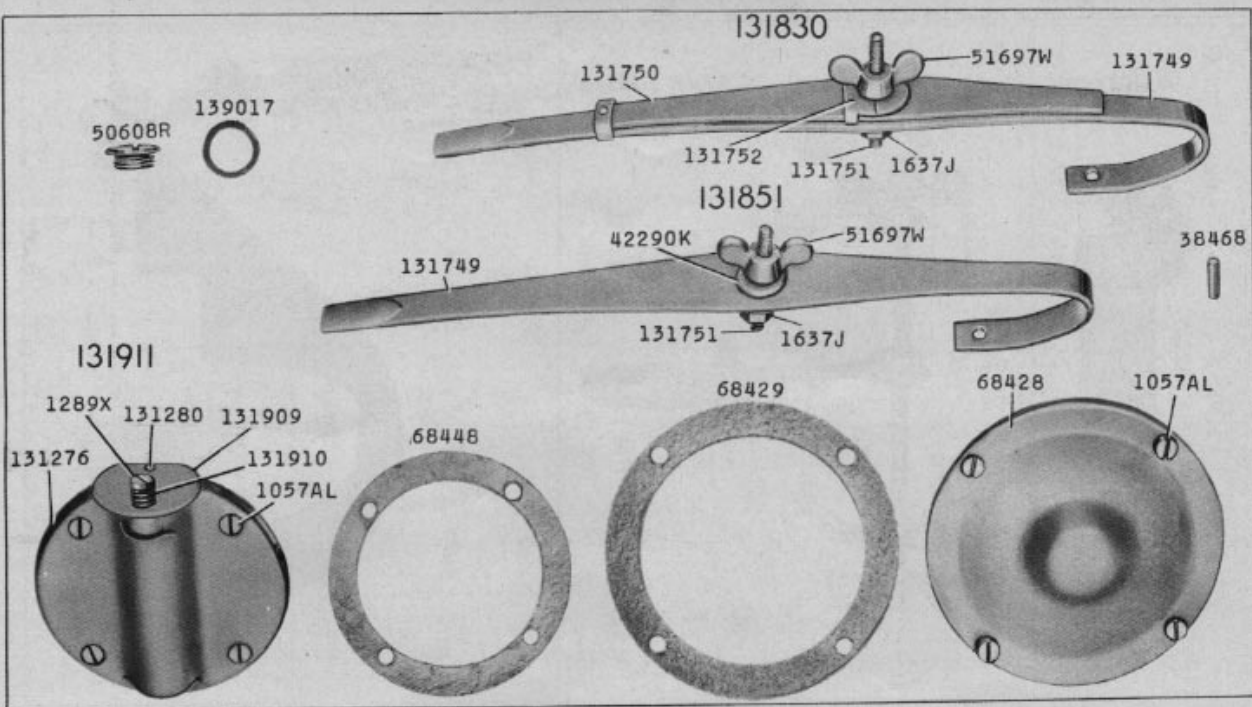
No.	Plate	Name
225391	21043	Thread Unwinder Thread Guide for 150062 (4).....

Genuine Singer Needles should be used
in Singer Machines.
These Needles and their Containers
are marked with the
Company's Trade Mark "SIMANCO." 1

Needles in Containers marked
"For Singer Machines"
are not Singer made needles. 2

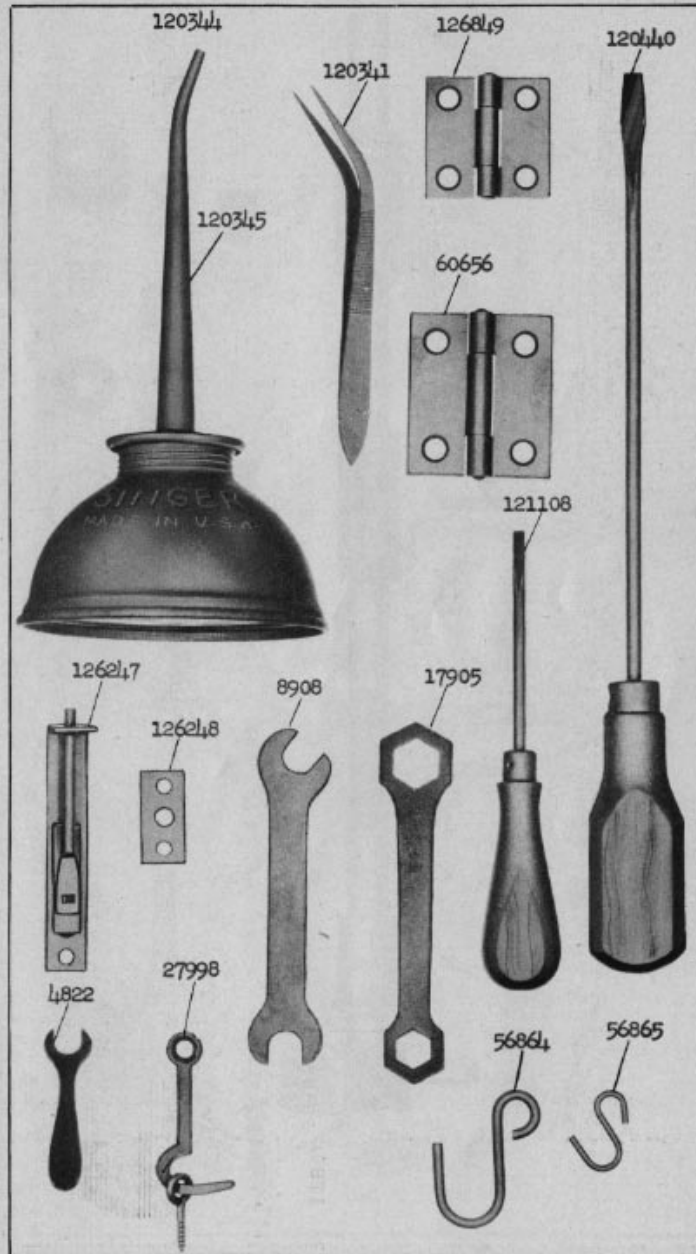
20633 - 1/4

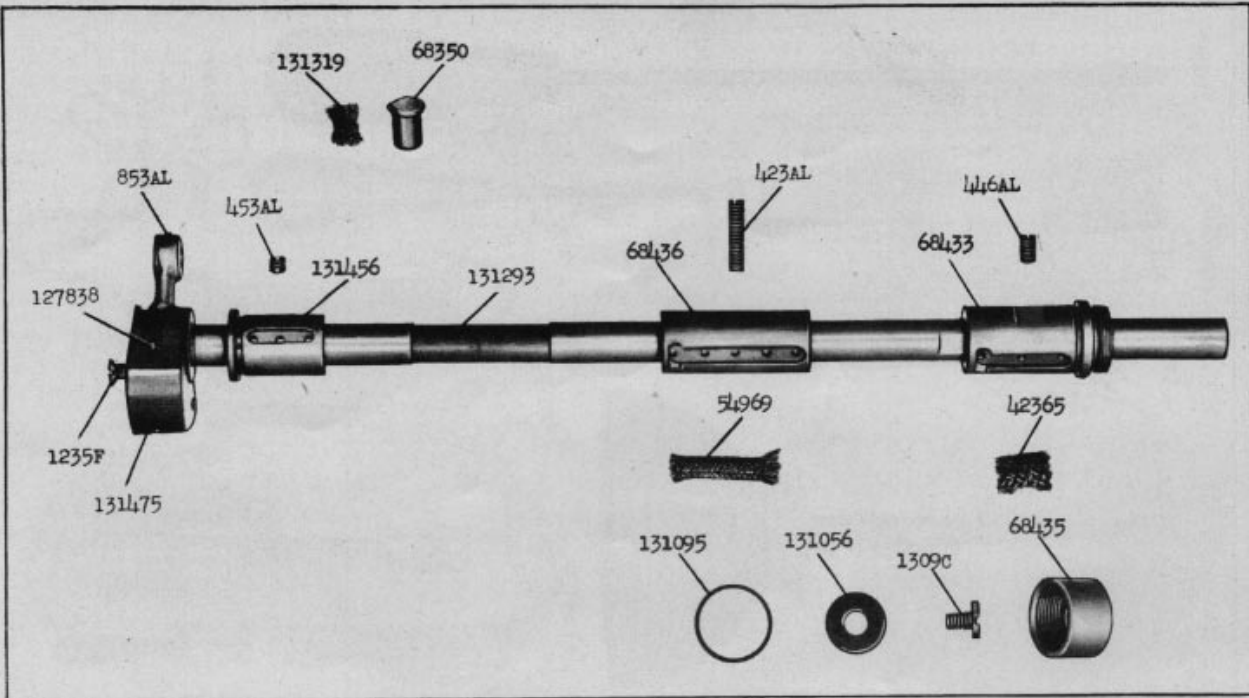




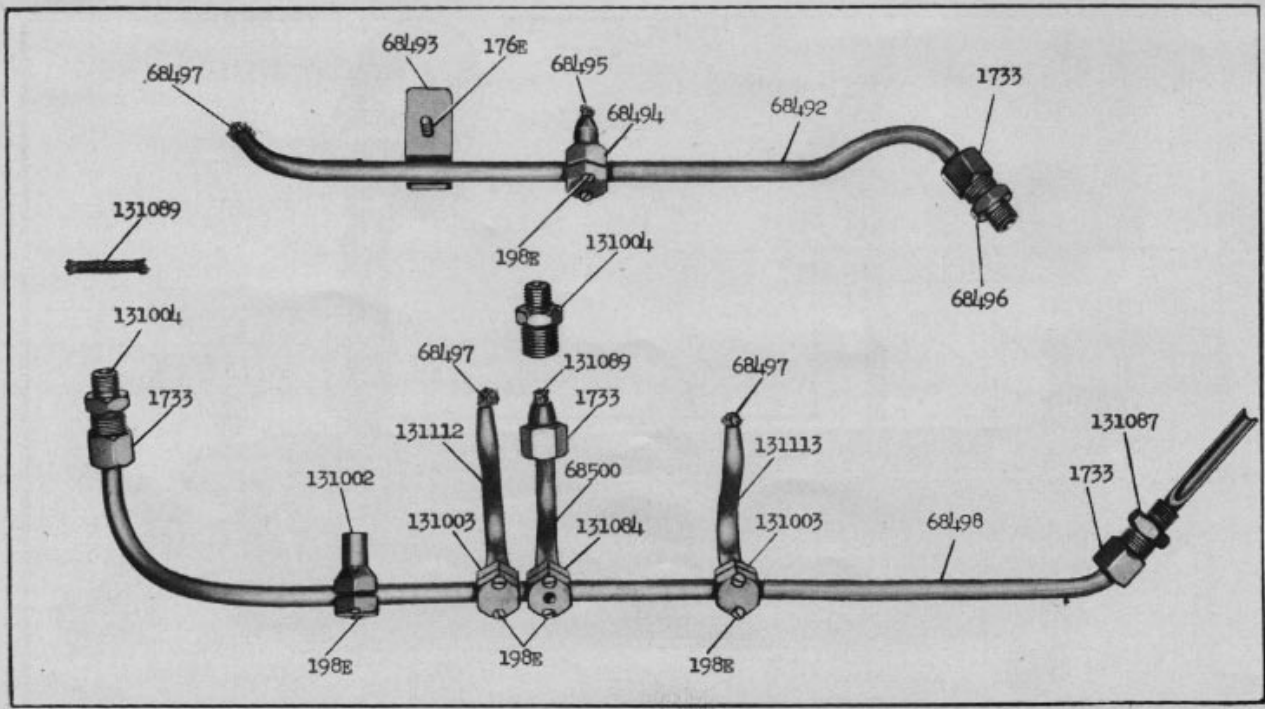
20688 - 1/2

20691 - 1/2

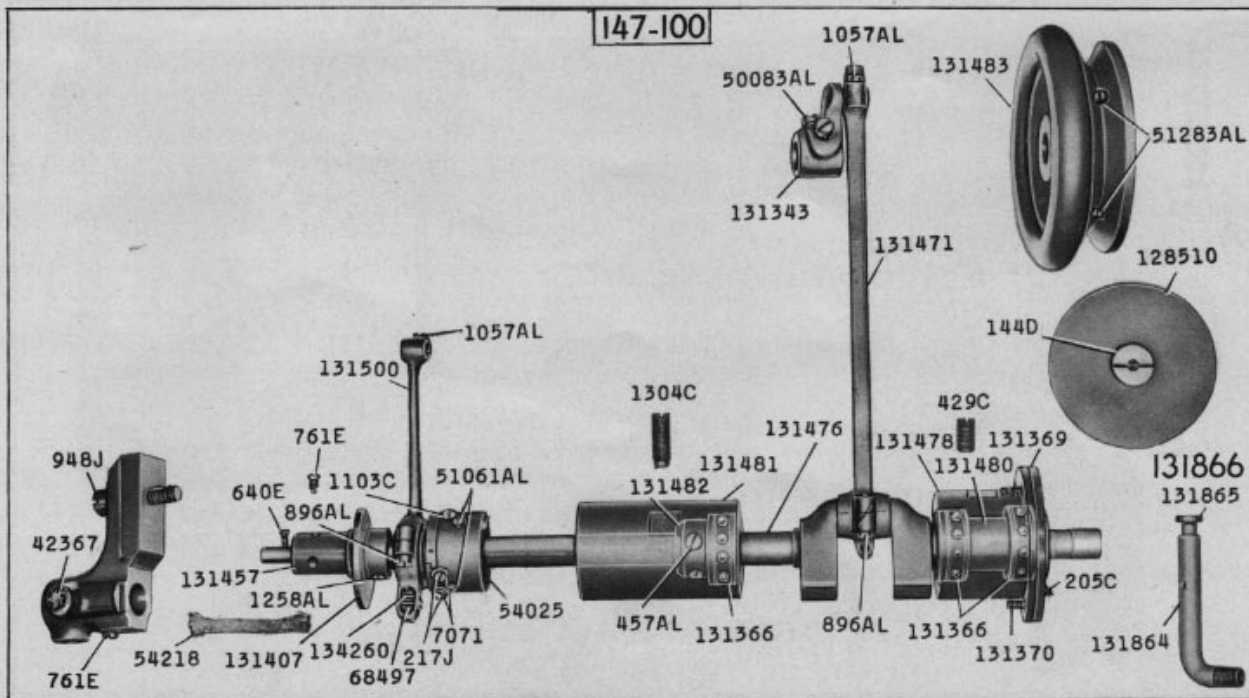
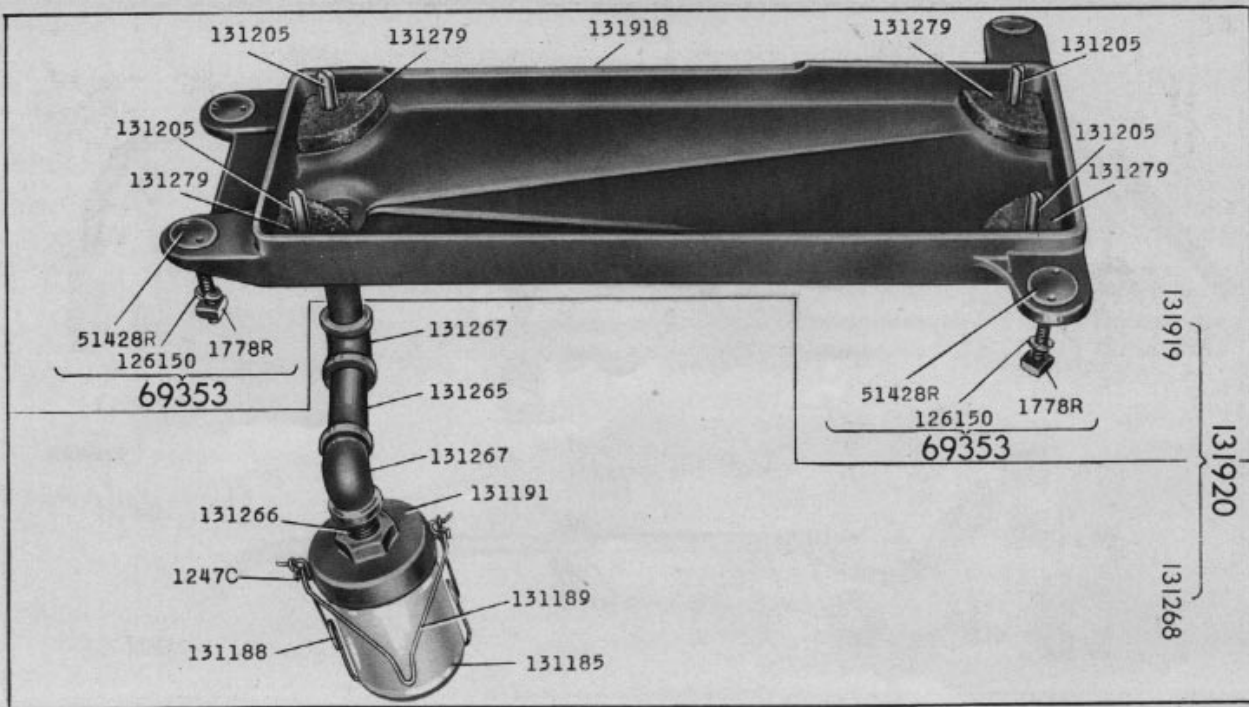




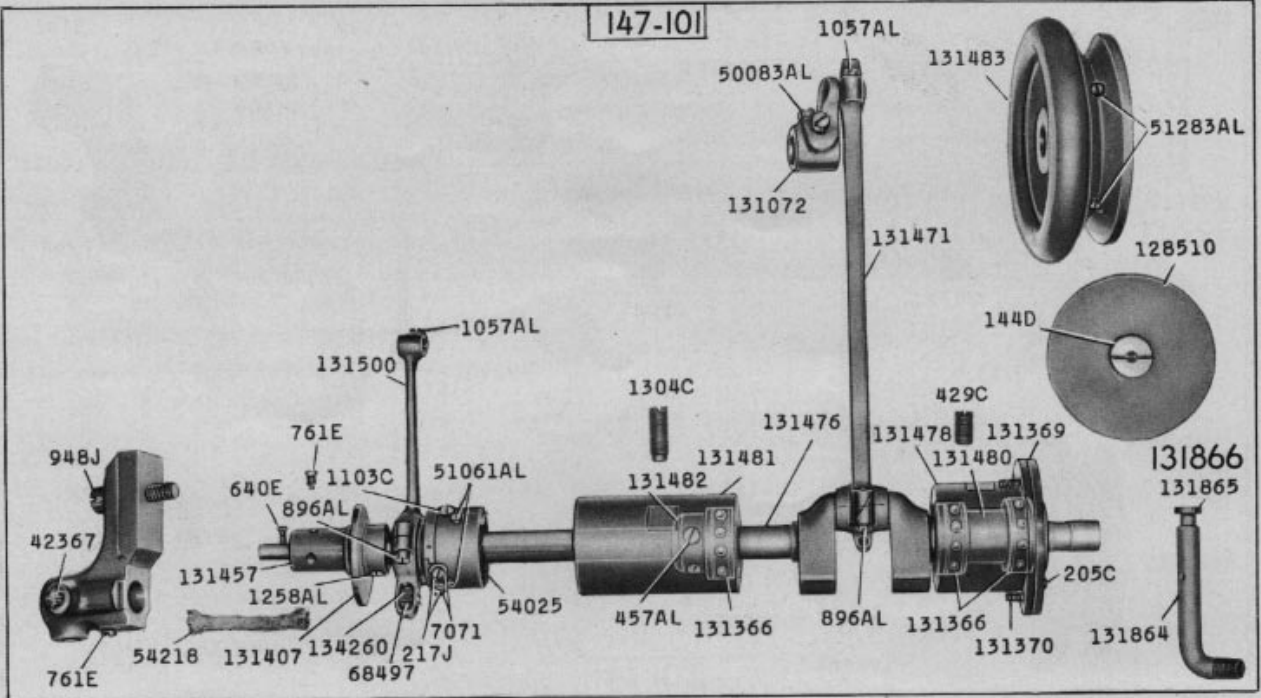
20695 - 1/2



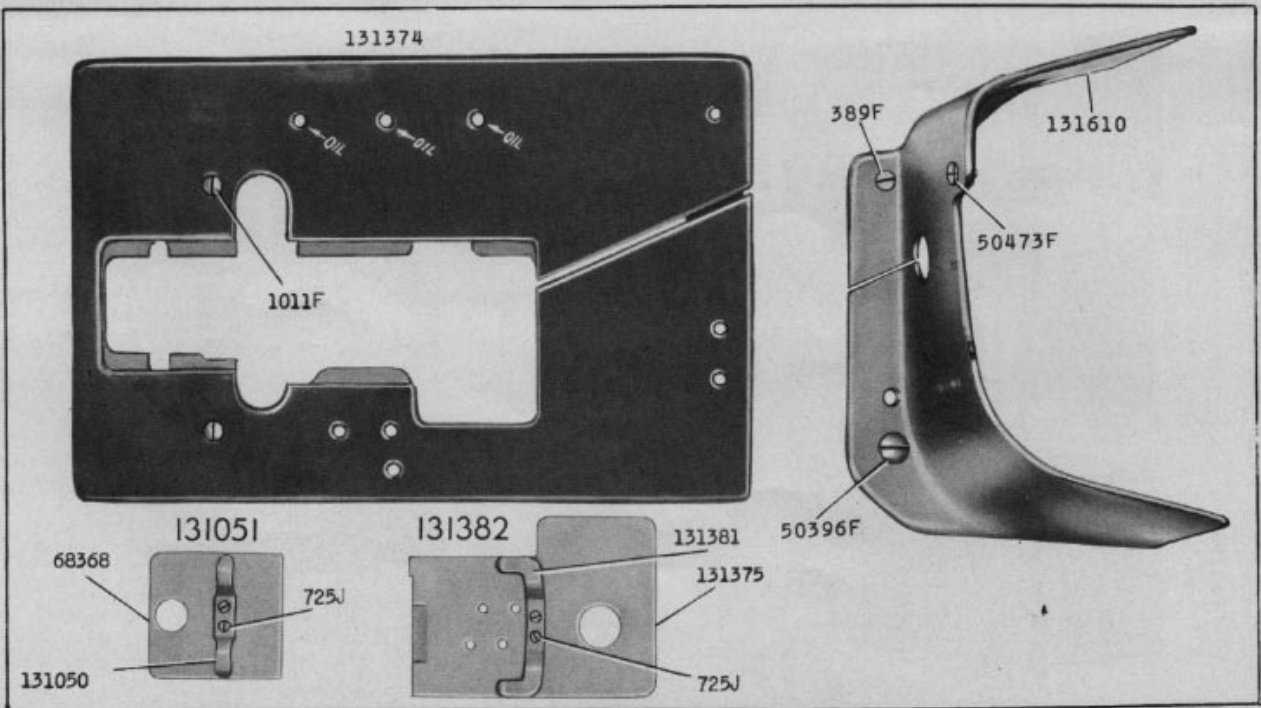
20703 - 1/2



147-101

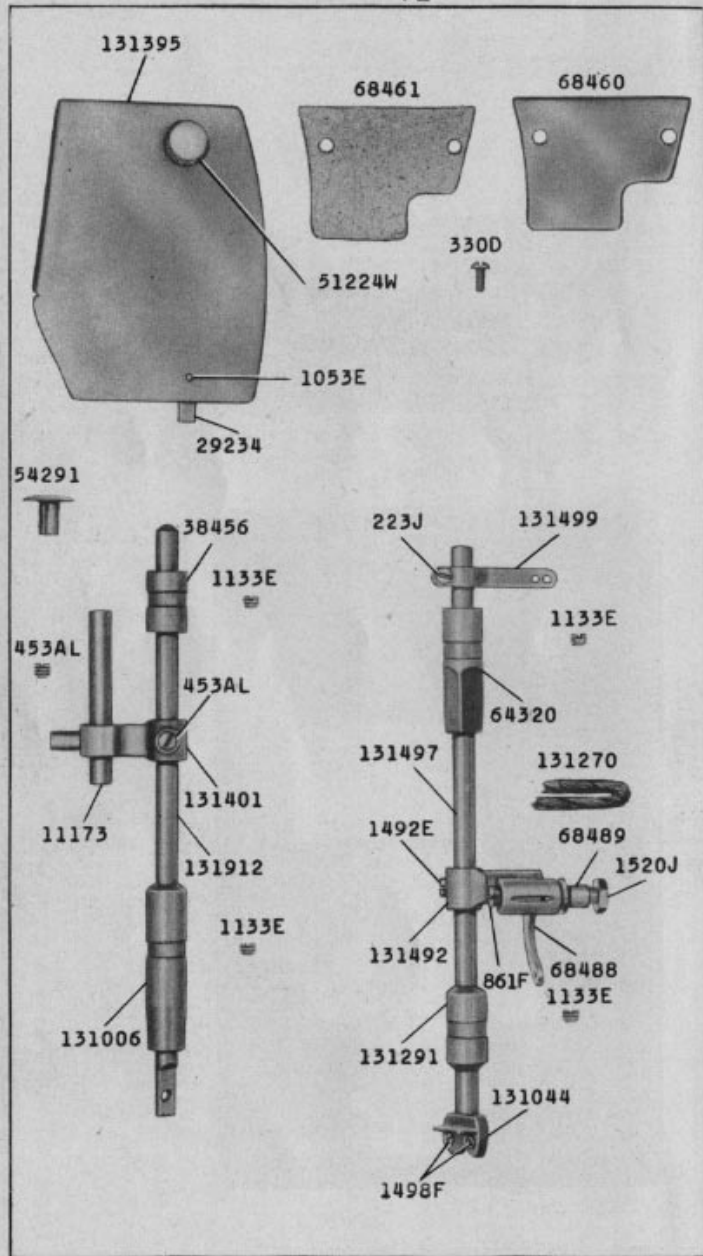


20721 - 1/3

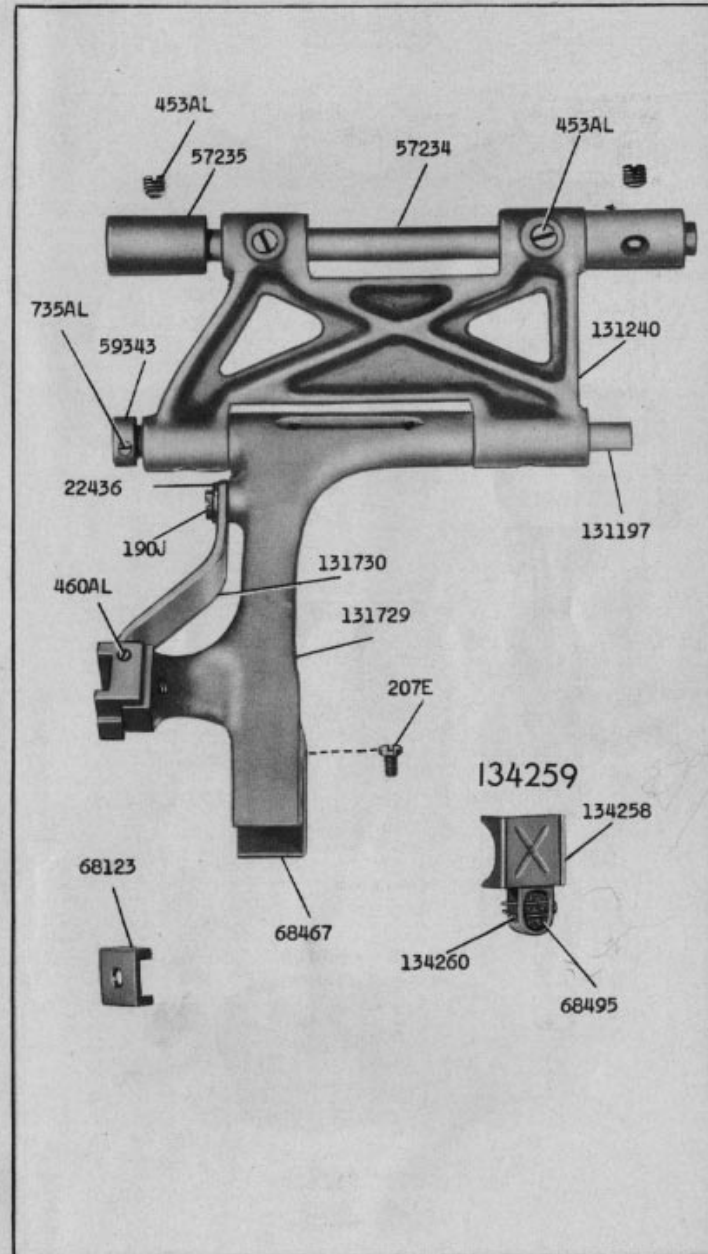


20722 - 1/3

20723 - 1/2

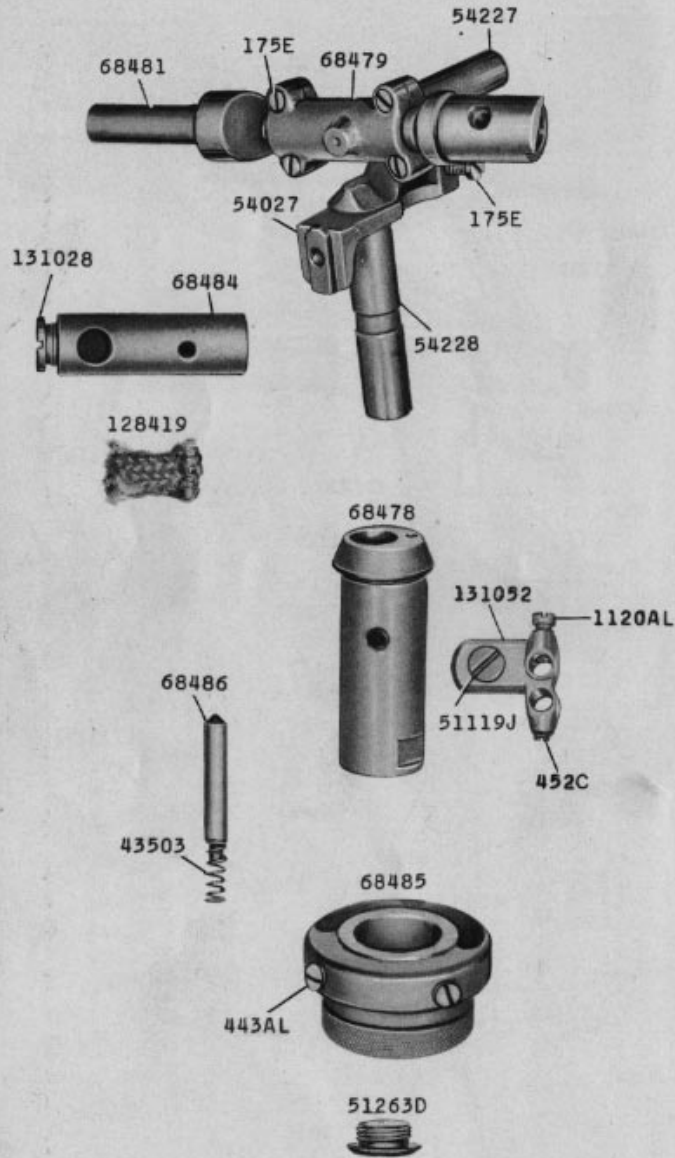


20724 - 1/2



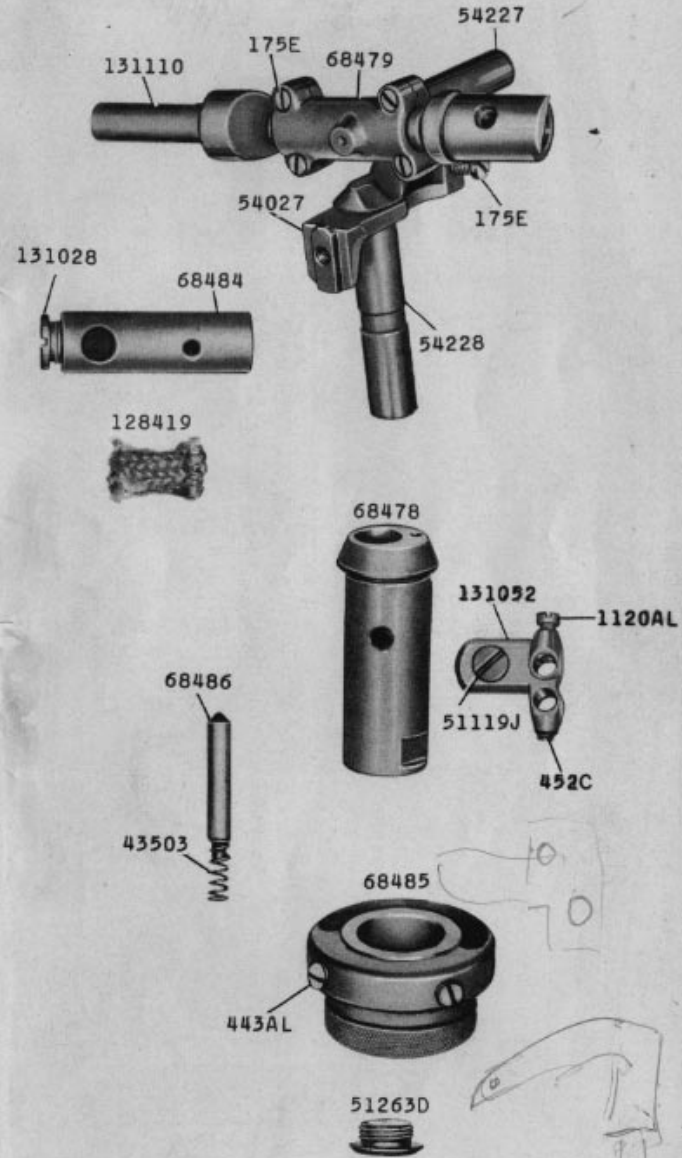
20725 - 2/3

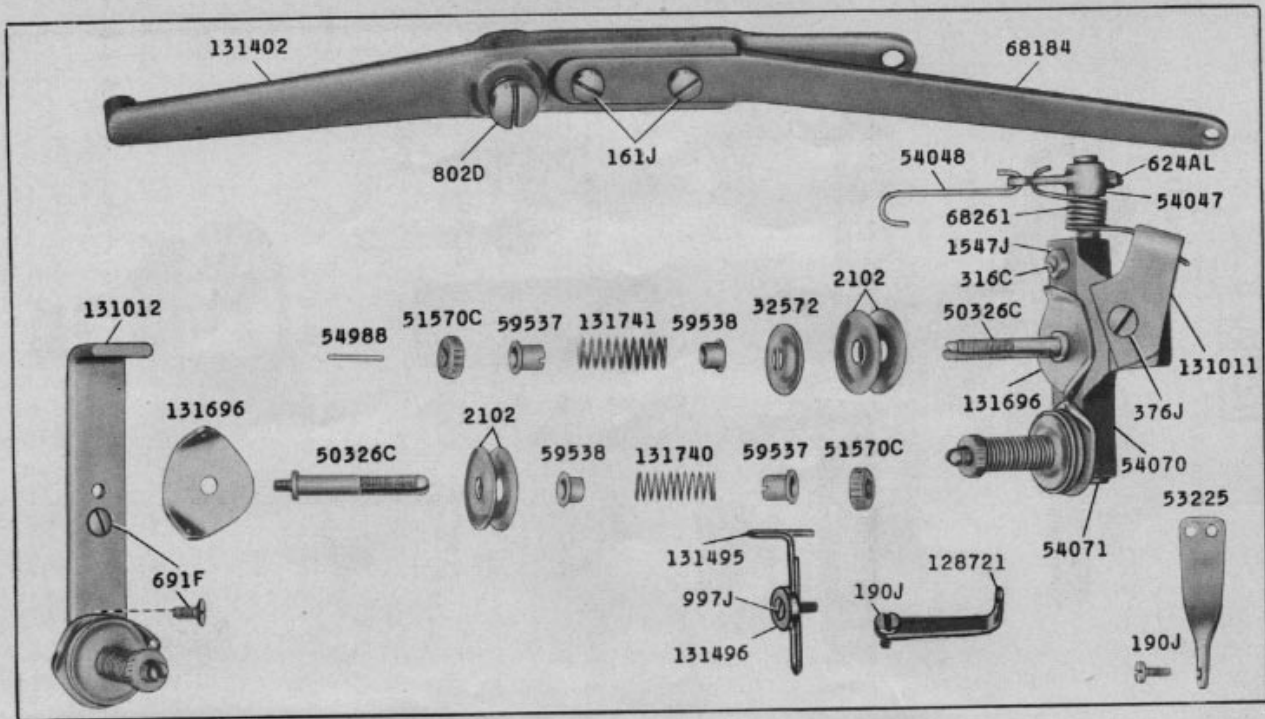
147-100



20726 - 2/3

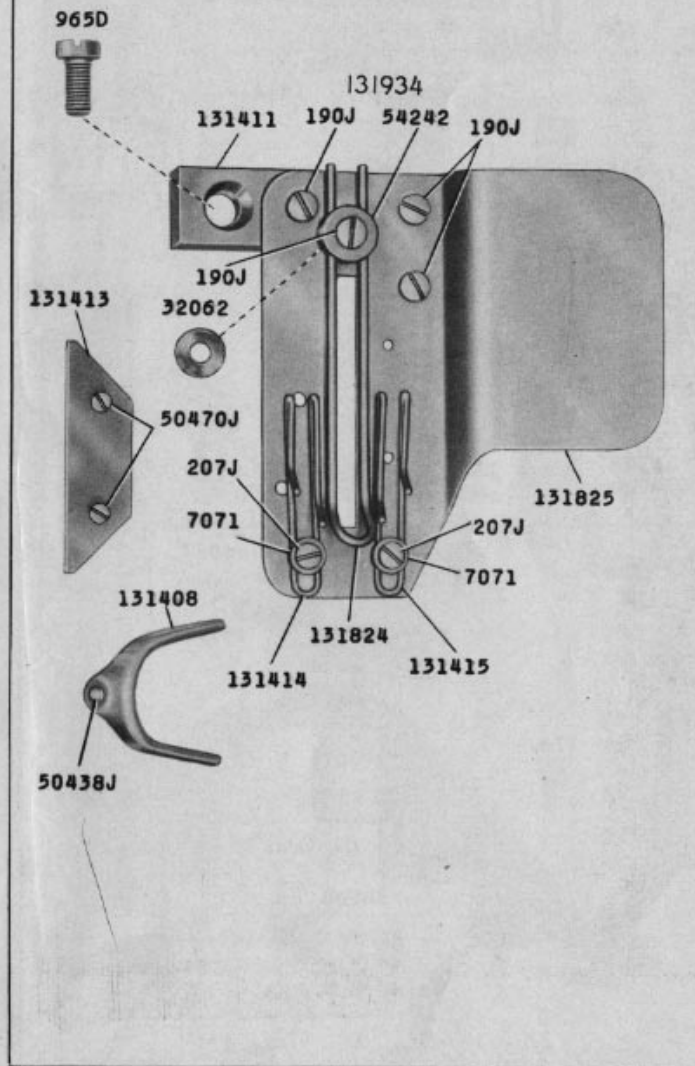
147-101





20727 - 1/2

20728 - 2/3



20729 - 2/3

147-100

