

SINGER
108W2

LIST OF PARTS



INDEX

	PAGE
ACCESSORIES	15
BOBBIN WINDER	15
KNEE LIFTER	16
MACHINE No. 108W2	7
NUMERICAL LIST OF PARTS	19
OBSELETE PARTS	18

MACHINE No. 108w2

THE SINGER MANUFACTURING COMPANY

Instructions for Ordering

In ordering from this list, use **ONLY** the **PART** number in the **FIRST** column.

The number stamped on a Sewing Machine Part is the number of the Single Part only, except when the part includes Set Screws, Clamping Screws, Studs and Rollers Spun on, Small Wires riveted, or Parts soldered together, etc., which it is necessary to furnish in combination.

Every combination of parts sent out has its specific number which, although not stamped on Parts (except in above cases) must be used when ordering the combination.

Each number always indicates the **SAME PART** in whatever list it appears, or for whatever Machine.

The letters after some of the numbers indicate the style of finish only, as follows:

- A. Hardened, Polished and Plated.
- B. Polished and Plated.
- C. Hardened only.
- D. Polished only.
- E. Soft, not polished.
- F. Hardened and Polished.
- H. Blued.

These letters **MUST BE USED** when they appear in the list and **AFTER** the number, as in the list.

In this series

- 200001 to 201500 are Screw Numbers.
- 201501 to 201800 are Nut Numbers.
- 201801 to 202000 are Roller Numbers.
- 202001 and upward are numbers of Machine Parts.

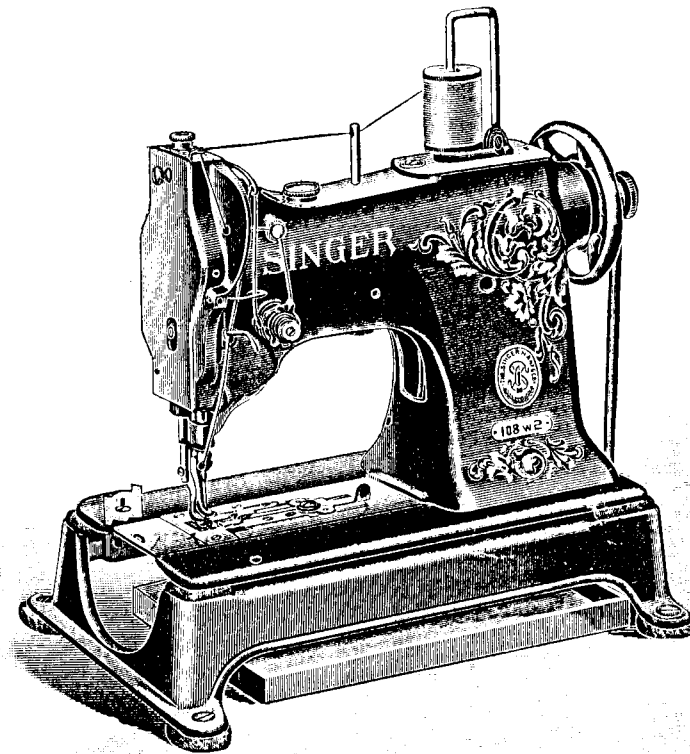
The figures in the second column refer only to the plate in which the illustration of the part is shown and are **NOT TO BE USED** in ordering.

Two or more numbers over a cut indicate that the difference between such parts is not visible in an illustration.

Parts marked with an asterisk (*) are furnished only when repairs are made at the factory.

LIST OF PARTS COMPLETE

FOR



MACHINE No. 108w2

UNISON FEED

For Collar Work. Fitted With Attachment for Inserting and Guiding the Raw Edges of a Collar Within the Band While Stitching the Finishing Seam.

No.	Plate	Name
*208521	—	Arm
203091	11670	" Cap
200278H	10244	" " Screw
202248	10244	" " " Washer
203089	—	" " Spool Holder Base

No.	Plate	Name
203090	—	Arm Cap Spool Holder Base 203089 with 200079H and 204296
200585H	11672	Arm Cap Spool Holder Base Screw
204296	11670	" " " " Wire
200079H	10668	" " " " " Hinge Screw
203092	11670	Arm Cap and Spool Holder complete, Nos. 203090, 203091 and two 200585H
204235	10668	Arm Position Pin
200010E	11672	" Screw
202005	11672	" " Washer
208523	11670	" Shaft with 200357E
202243	11670	" " Bushing (back) with 202244
202244	—	Arm Shaft Bushing (back) Oil Packing (wick)
200338C	10244	Arm Shaft Bushing (back) Set Screw
202245	11670	Arm Shaft Bushing (front) with 202036 and 202260.....
202260	—	Arm Shaft Bushing (front) Oil Packing (wick)
200502B	13451	Arm Shaft Bushing (front) Oil Packing Thumb Screw
202036	10668	Arm Shaft Bushing (front) Position Pin
200338C	10244	Arm Shaft Bushing (front) Set Screw
202530	11670	Arm Shaft Connection Belt
202252	10244	" " " " Pulley with 200327C, 200602E and two 202253
200602E	10244	Arm Shaft Connection Belt Pulley Position Screw
200327C	10244	Arm Shaft Connection Belt Pulley Set Screw
202253	10244	Arm Shaft Connection Belt Pulley Spring Flange
208573	11670	Arm Shaft Counter Balance with 200335C
200335C	10244	Arm Shaft Counter Balance Set Screw
200357E	10244	Arm Shaft Oil Packing Stop Screw
202255	11682	Balance Wheel (belt groove 2 1/4 in. diam.) with 200328C and 200335C
200328C	10244	Balance Wheel Position Screw
200335C	10244	" " Set Screw

No.	Plate	Name
*208524	—	Bed
202258	12345	" Hinge Connection (2)
200570E	11672	" " " Screw (4)
210616	11670	" Slide (front)
202265	11671	Bobbin
*202806	—	" Case
202267	11671	" " Latch
*202056	—	" " " Pin
202269	11671	" " " Plunger
202270	11671	" " " Spring
202716	11671	" " Tension Spring
200984C	11671	" " " " Regulat- ing Screw
200594C	11671	Bobbin Case Tension Spring Screw
202533	11671	Bobbin Case complete, Nos. 200594C, 200984C, 202056, 202267, 202269, 202270, 202716 and 202806
208512	13460	Collar Band Guide (lower) (adjust- able)
200169F	13460	Collar Band Guide (lower) Screw
208594	11679	" " " (upper)
208528	11679	" " " Stop (adjust- able)
200161D	10272	Collar Band Guide Stop Screw
208513	13461	" Guide Base Plate
200577H	11672	" " " " Screw ...
208516	11684	" " Switching Lever
200010H	11679	" " " " Hinge Screw
208585	13460	Collar Guide Switching Lever Hinge Screw Washer
208586	11684	Collar Guide Switching Lever Re- taining Spring
201186D	13460	Collar Guide Switching Lever Re- taining Spring Screw
208514	11684	Collar Inserting Guide (adjustable)
208515	11684	" " " Plate
200169F	13460	" " " Screw
208517	13461	Collar Band Guide complete, Nos. 201000H, 201186D, 208512 to 208516, 208585, 208586, 208594 and four 200169F
208600	—	Collar Band Guide and Stop com- plete, Nos. 200161D, 208517 and 208528
208535	11682	Face Plate
202135	11672	" " Position Pin
200462H	11672	" " Thumb Screw
208538	11672	Feed Driving Connection (brass) with 202277

No.	Plate	Name
202277	—	Feed Driving Connection Oil Packing (wick)
208539	11672	Feed Driving Connection Stud (eccentric) with 202254
202254	—	Feed Driving Connection Stud Oil Packing (wick)
200362c	11672	Feed Driving Connection Stud Set Screw
208331	13451	Feed Driving Eccentric Regulating Bracket
208332	—	Feed Driving Eccentric Regulating Bracket 208331 with 202252, two each 201014c and 201525E
201014c	11672	Feed Driving Eccentric Regulating Bracket Hinge Screw
201525E	11672	Feed Driving Eccentric Regulating Bracket Hinge Screw Nut
202301	13451	Feed Driving Eccentric Regulating Bracket Plunger
202595	13451	Feed Driving Eccentric Regulating Bracket Plunger Spring
200607c	13451	Feed Driving Eccentric Regulating Bracket Plunger Spring Stop Screw
201014c	11672	Feed Driving Eccentric Regulating Bracket Stop Screw
201525E	11672	Feed Driving Eccentric Regulating Bracket Stop Screw Nut
200429c	13451	Feed Driving Eccentric Regulating Screw
200383c	13451	Feed Driving Eccentric Regulating Screw Check Screw
208532	13461	Feed Regulating Spindle with 202311, 202443, 202619 and 210554
*202311	—	Feed Regulating Spindle Head
202443	10244	" " " " Pin.
202619	10668	" " " " Position Pin
210554	10668	Feed Regulating Spindle Spring (flat)
*208509	—	Hook (sewing)
206750	11671	" 208509 with 200145u, 200596F, 200614c, 202728, 203101, 206751, 206775 and 208579
206746	—	Hook and Bobbin Case complete, Nos. 202533 and 206750
208579	11671	Hook Gib
200614c	11671	" " Hinge Screw
200596F	11671	" " Screw

No.	Plate	Name
203101	—	Hook Oil Wick
*202728	—	" Shaft, 9½ in. long
202321	11671	" " Bushing (back)
200346c	11671	" " " " Set Screw
202322	11671	" " " (front)
200346c	11671	" " " " Set Screw
202323	10244	" " Connection Belt Pulley with 202324 and two 201018c
201018c	11672	Hook Shaft Connection Belt Pulley Set Screw
202324	10244	Hook Shaft Connection Belt Pulley Spring Flange
202260	—	Hook Shaft Oil Packing (wick) (2)
206775	11671	" " Pin
206751	11671	" Washer
200145u	11671	" " Screw
208542	11682	Knee Lifter Connection Lever with 202446
208543	—	Knee Lifter Connection Lever 208542 with 200224u, 200262u, 208544 and 208592
200224u	11672	Knee Lifter Connection Lever Hinge Screw
208592	11682	Knee Lifter Connection Lever Lifting Rod with 202302
202302	13451	Knee Lifter Connection Lever Lifting Rod Cotter Pin
202446	13451	Knee Lifter Connection Lever Pin
208544	11682	" " Lifting Lever
200262u	11672	" " " " Hinge Screw
208545	11672	Lifting Bell Crank
208546	11672	" " " " Driving Crank ..
208547	11672	" " " " " Link
202277	—	" " " " " Oil Packing (wick)
201012c	11672	Lifting Bell Crank Driving Crank Position Screw
200374c	10668	Lifting Bell Crank Driving Crank Set Screw
200996c	11673	Lifting Bell Crank Stop Screw
208597	13460	" Presser Foot
200074F	11672	" " " " Screw
208526	13451	Needle Bar with 200141F
208549	11682	" Bar and Needle Plate Carrier Frame with 200362c, 200997c and 208550
200999c	11673	Needle Bar and Needle Plate Carrier Frame Hinge Screw

241190

1545

No.	Plate	Name
200998c	11673	Needle Bar and Needle Plate Carrier Frame Hinge Screw Stud ..
208550	11673	Needle Bar and Needle Plate Carrier Frame Hinge Screw Stud Bushing (split)
200997c	11673	Needle Bar and Needle Plate Carrier Frame Hinge Screw Stud Bushing Position Screw
202277	—	Needle Bar and Needle Plate Carrier Frame Hinge Screw Stud Oil Packing (wick)
208551	11673	Needle Bar Connecting Link
208552	11673	" " " Stud with 200086c and 202330
202330	—	Needle Bar Connecting Stud Oil Packing (wick)
200086c	11673	Needle Bar Connecting Stud Pinch Screw
208553	11670	Needle Bar Crank with 200335c, 200374c, 200428c and 201012c
208582	—	Needle Bar Crank 208553 with 200996c, 202398, 202400, 208545 to 208547, 208551, 208552, 208555, 208557, 208562 and 208563
203172	11673	Needle Bar Crank Friction Washer
200428c	11673	" " " Position Screw ..
200335c	10244	" " " Set Screw
208536	11676	" Plate, 53 needle hole, for needle sizes 12 and 13
201387F	13451	Needle Plate Screw
208537	11676	" " Slide Plate (adjustable)
200054c	13451	Needle Plate Slide Plate Screw (2)
202101	11674	" " " " " Washer (2)
200141F	11674	Needle Set Screw
208554	11674	Oil Leader (brass) (for back hook shaft bearing)
208566	11670	Presser Bar with 200074F
208567	11674	" " Bushing
200352c	11674	" " " Set Screw
202339	11674	" " Lifter
200653c	11674	" " " Hinge Screw
208555	11673	" " Lifting Bracket with 200054D
200975F	11674	Presser Bar Lifting Bracket Guide Screw
200054D	13541	Presser Bar Lifting Bracket Pinch Screw

No.	Plate	Name
208556	11674	Presser Bar Spring
200494B	11674	" " Thumb Screw (pressure regulating)
200475B	10668	Presser Bar Thumb Screw Thumb Set Screw
202335	10668	Presser Bar Thumb Screw Thumb Set Screw Packing (brass)
202397	10668	Take-up (auxiliary)
200842E	10668	" " Screw
202398	10247	" Lever
208557	11673	" " Driving Stud with 202277
202277	—	Take-up Lever Driving Stud Oil Packing (wick)
202400	10247	Take-up Lever Hinge Stud with 202423
202423	—	Take-up Lever Hinge Stud Oil Packing (wick)
200383c	13451	Take-up Lever Hinge Stud Set Screw
208558	11674	Take-up Lever Oil Guard with 223655 and 224572
200161H	10272	Take-up Lever Oil Guard Screw ..
208568	11674	" " " Leader
202254	—	" " " " Packing (wick)
223655	—	Take-up Lever Oiling Felt
224572	13451	" " " " Rivet ..
202402	10247	Tension Disc (back)
202403	10247	" " (front)
208583	11674	" Release Plunger
208559	13451	" " Slide
208560	13451	" " " Spring
202405	10247	" " Washer
202407	10881	" Spring
200625F	10247	" Stud with 204925
200084F	11674	" " Set Screw
204925	10668	" " Washer
201572B	10881	" Thumb Nut
202409	10252	Tension complete, Nos. 200625F, 201572B, 202402, 202403, 202405, 202407 and 202410
202410	10252	Thread Controller Spring
202411	10252	" " " Stop
200132E	10247	" " " " Screw
208574	13451	" Guide
202412	10252	" "
202415	10252	" "
208569	13451	" "

No.	Plate	Name
200582H	10252	Thread Guide Screw
200397H	13451	" " Set Screw
202091	10252	" Retainer Sleeve
202092	10252	" " Spring
204058	10252	" " Stud
200366H	10252	" " " Set Screw
204059	10668	Thread Retainer complete, Nos. 202091, 202092 and 204058
208561	11677	Throat Plate with 202534 and two 200583H
202534	10668	Throat Plate Bobbin Case Stop
200583H	19668	" " " " " " Screw
200577H	11672	Throat Plate Screw (2)
208562	11673	Vibrating Presser Bar
208563	11673	" " " Connecting Link
202277	—	Vibrating Presser Bar Oil Packing (wick)
208598	13460	Vibrating Presser Foot with 201015F
201015F	13460	" " " Pinch Screw

ACCESSORIES

No.	Plate	Name
200157B	13460	Attachment Screw
202265	11671	Bobbin (5)
*225482	—	" Case Screw Driver Blade ...
*225483	—	" " " " Handle ...
225497	12345	Bobbin Case Screw Driver com- plete, Nos. 225482 and 225483 ...
135 x 1	—	Needles, three each, sizes 12 and 14
208575	11683	Bed Frame (iron) with four 208576, eight 200099H and four wood screws 1 in., No. 13
208576	—	Bed Frame Cushion (felt)
200099H	13460	" " " Screw
208577	—	Drip Pan
208578	—	" " Button
227784	11682	Knee Lifter Rock Lever Rod, 3 in. long, with 227785
41564	11682	Machine Rest Pin (wood), 4 in. long
36578	12345	Oiler with 36579
36579	12345	" Spout, 3½ in. long, with 120117
120117	—	" " Washer
*225484	—	Screw Driver Blade
*225485	—	" " Handle
225498	12345	Screw Driver complete (7¼ in. long), Nos. 225484 and 225485 ..
225554	12345	Wrench (steel)

BOBBIN WINDER

Swing Automatic, Right Hand.

*225451	—	Bobbin
225453	10882	Frame with 202277 and 225438 ...
225454	10882	" Hinge Pin
202277	—	" Oil Packing (wick)
225438	10882	" " Well Cap
225455	10882	" Spring
225456	10882	" " Plunger
202473	10883	Pulley with 200380C
200380C	10272	" Set Screw
*225443	—	Spindle
225452	10882	" 225443 with 225451
225444	10882	Stop Latch
200056E	10882	" " Screw
225458	10882	" " Thumb Lever

No.	Plate	Name
225459	10882	Stop Latch Thumb Lever Hinge Stud
225460	10882	Stop Latch Thumb Lever Joint Stud
202478	10882	Stop Latch Trip Lever
200299H	10882	" " " " Hinge Screw
225461	10881	Tension Bracket with 201499H
200082D	10881	" " Screw
202104	10881	" " Washer
2102	10881	" Disc
202407	10881	" Spring
201499B	10881	" Stud
201572B	10881	" " Thumb Nut
225462	10881	Bobbin Winder Tension Bracket complete, Nos. 201572B, 202407, 225461 and two 2102
225463	10883	Bobbin Winder and Tension Bracket Base
225436	10883	Universal Bobbin Winder complete, Nos. 200056E, 200082D, 200299H, 202104, 202473, 202478, 225444, 225452 to 225456, 225458 to 225460, 225462, 225463 and two wood screws $\frac{3}{4}$ in., No. 13, R.H.B.....

KNEE LIFTER

227781	11682	Knee Lifter Rock Lever with 200522c and 200529c
227782	—	Knee Lifter Rock Lever 227781 with two each 202451 and 202452
227783	—	Knee Lifter Rock Lever 227782 with 202985 and 227784
202453	11682	Knee Lifter Rock Lever Knee Plate with 200526c
202985	—	Knee Lifter Rock Lever Knee Plate 202453 with 202455
202455	11682	Knee Lifter Rock Lever Knee Plate Arm (short)
200522c	13460	Knee Lifter Rock Lever Knee Plate Arm Set Screw
200526c	13460	Knee Lifter Rock Lever Knee Plate Set Screw
202451	11682	Knee Lifter Rock Lever Lug with two wood screws $\frac{3}{4}$ in., No. 13H ..
202452	13460	Knee Lifter Rock Lever Lug Hinge Pin
227784	11682	Knee Lifter Rock Lever Rod, 3 in. long, with 227785

No.	Plate	Name
*227785	—	Knee Lifter Rock Lever Rod Cap or Oil Guard
200529c	13460	Knee Lifter Rock Lever Rod Set Screw

(Other Knee Lifter Parts are listed with parts for machine head).

OBSOLETE PARTS

No.	Plate	Name
202470	10271	Bobbin Winder Base
202471	10271	“ “ Frame
202472	10271	“ “ Spring
202474	10271	“ “ Spindle
202475	10272	“ “ Stop Latch
202477	10272	“ “ “ “ Thumb Lever
202479	10271	Bobbin Winder complete, Nos. 200056F, 200161D, 200221D, 201537U, 202470 to 202475, 202477, 202478, three 200299U and two round head wood screws 1 in., No. 13..
202480	10271	Bobbin Winder Spool Holder Base with 200366U and 202484
202481	10271	Bobbin Winder Spool Holder Base Spool Pin
202482	10272	Bobbin Winder Spool Holder Ten- sion Disc (lower or upper)
202483	10272	Bobbin Winder Spool Holder Ten- sion Disc Spring (brass)
202484	10272	Bobbin Winder Spool Holder Ten- sion Disc Thread Guide
202485	10271	Bobbin Winder Spool Holder com- plete, Nos. 200011E, 202480, 202481, 202483, two 202482 and one wood screw 1 in., No. 13 ..
208599	—	Collar Guide Base Plate 208513 with 201000U, 202248, 208512, 208514, 208515, 208530, 208594 and four 200169F
208530	11679	Collar Guide Switching Lever
202326	11673	Needle Bar with 200141F

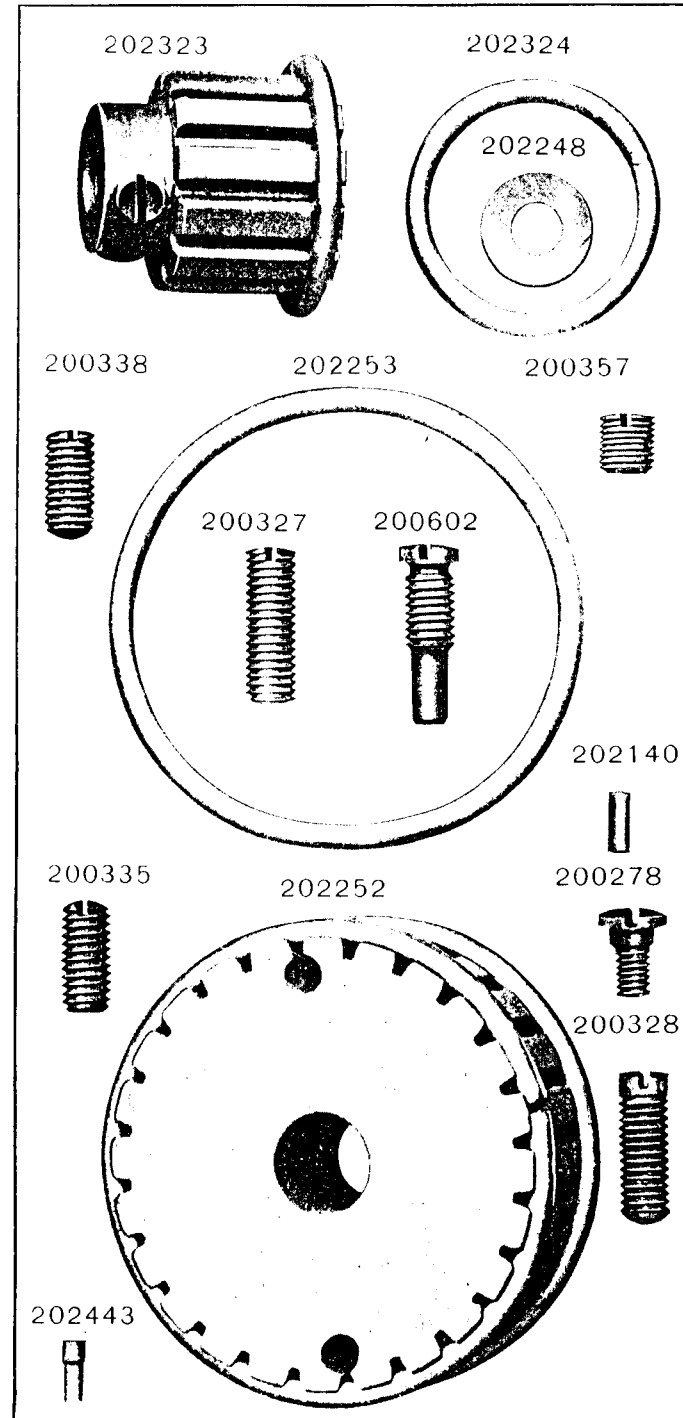


PLATE 10247—FULL SIZE

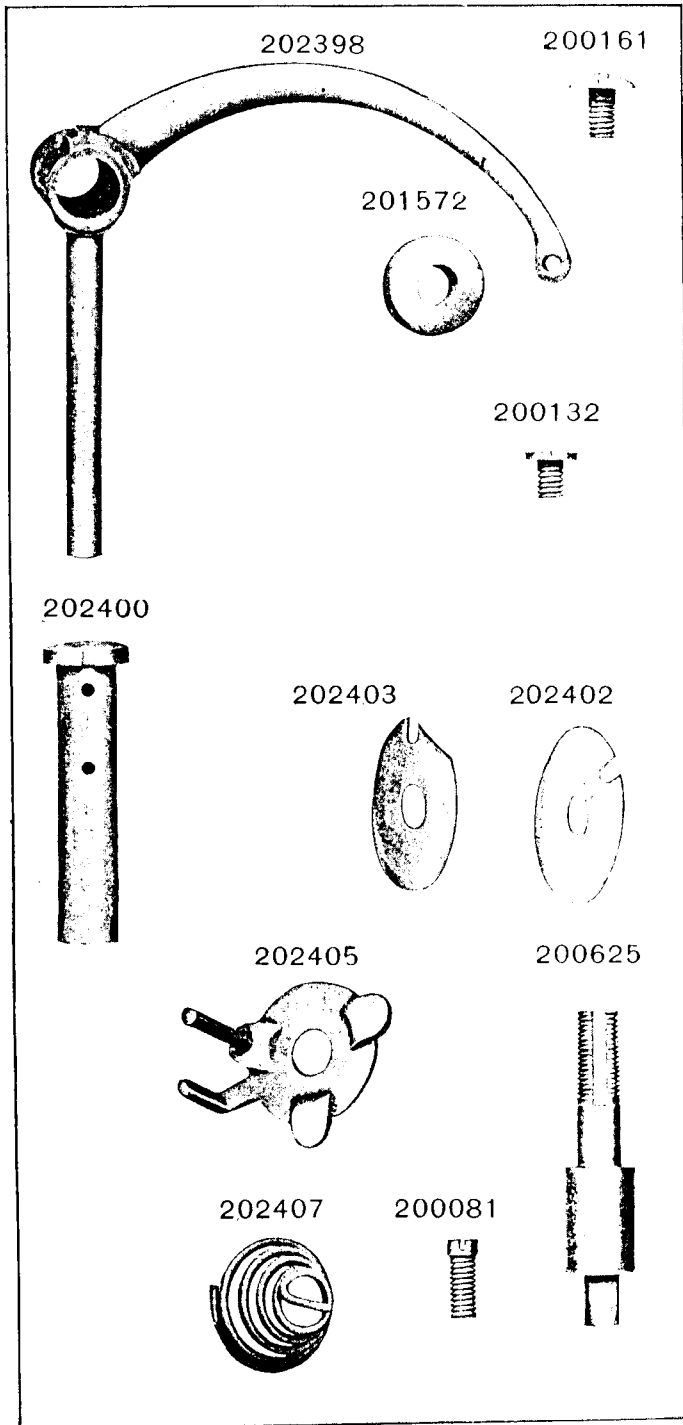


PLATE 10252—FULL SIZE

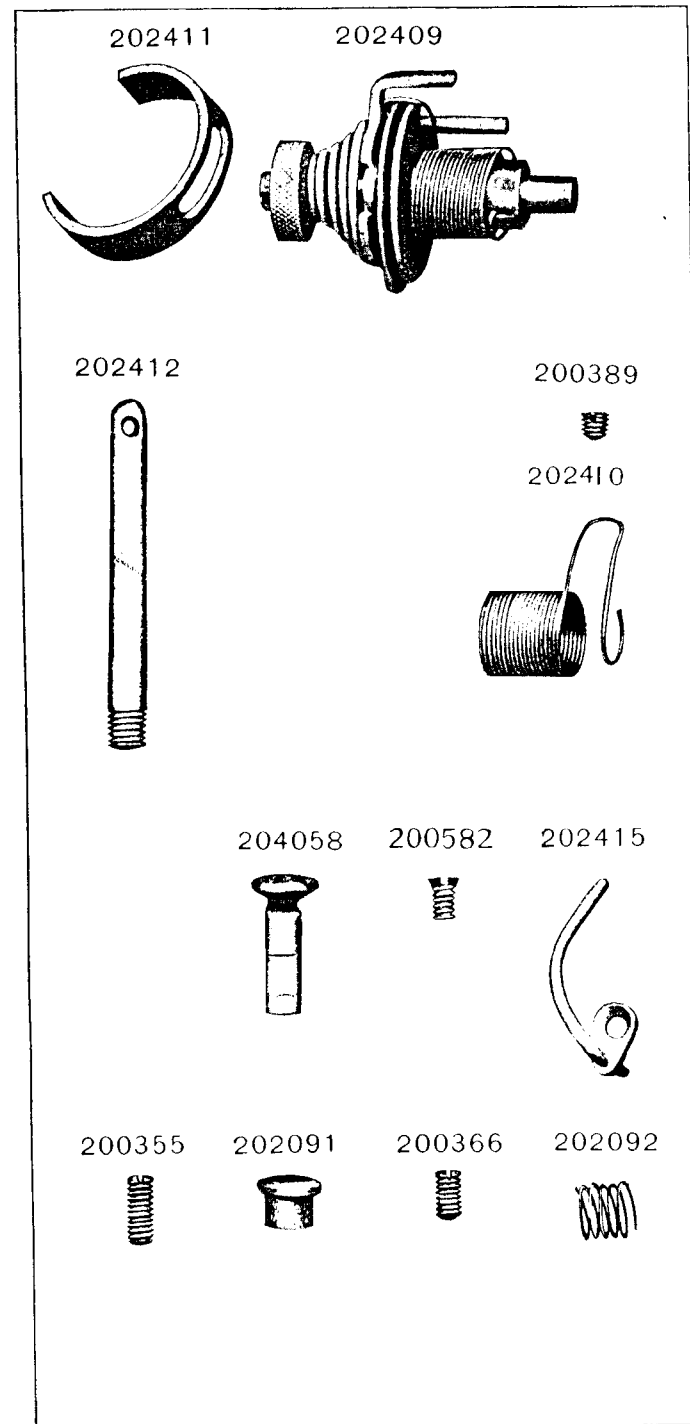


PLATE 10271—ONE-HALF SIZE

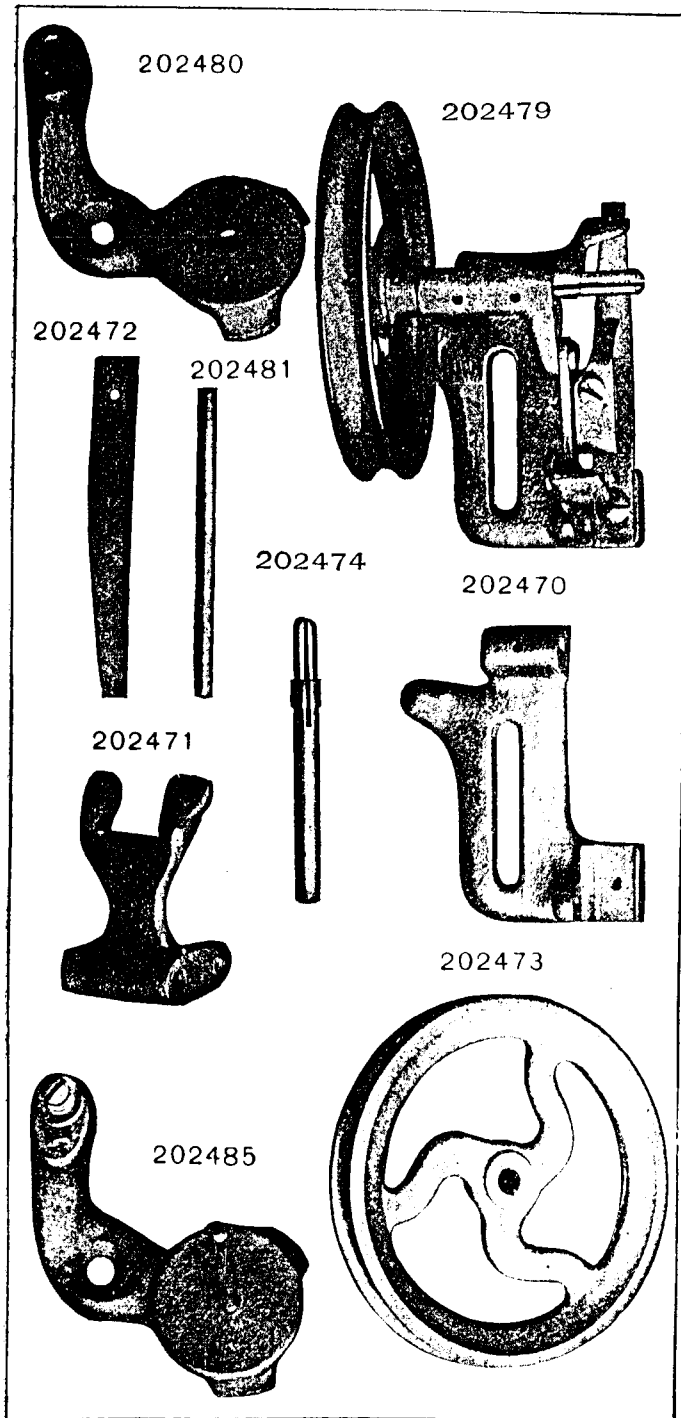


PLATE 10272—FULL SIZE

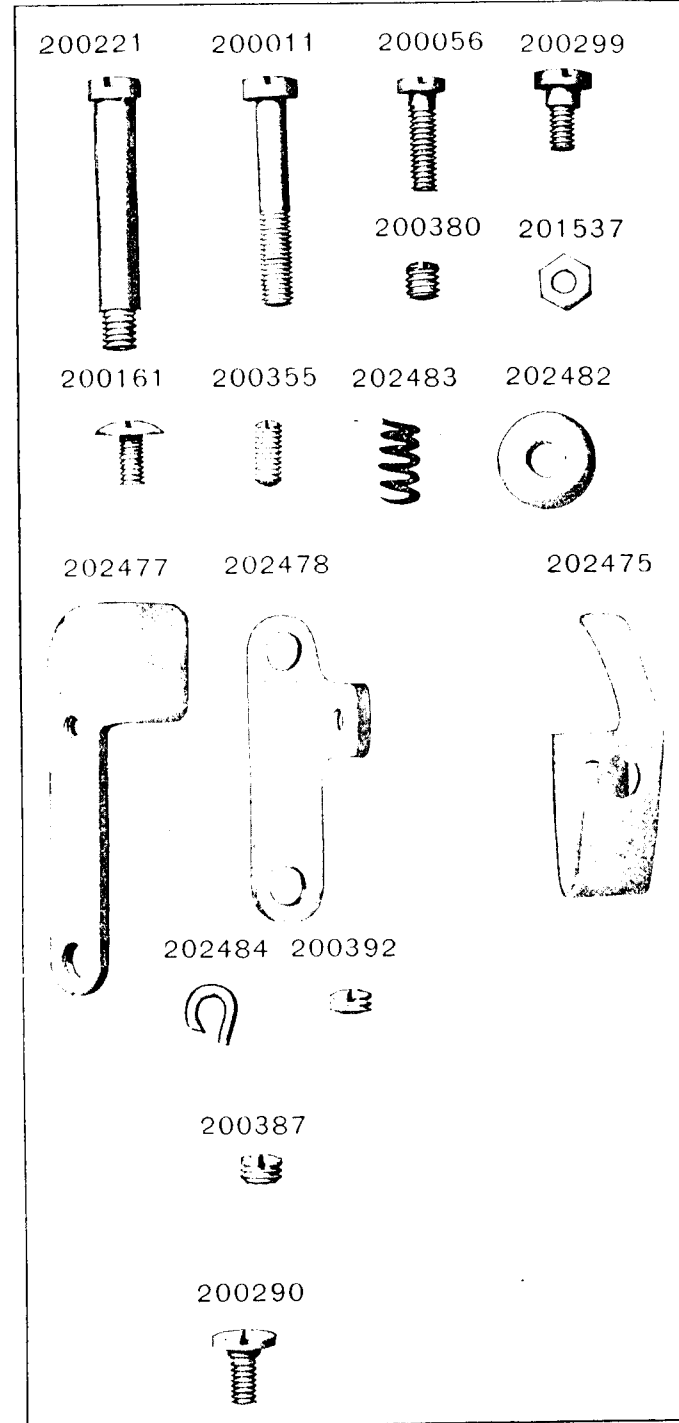
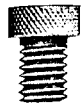


PLATE 10668—FULL SIZE

200475 200575 200374 200583



200378



200368



200079



200842



202619



202355



202872



202036



204925



204059



204235



202534



202397

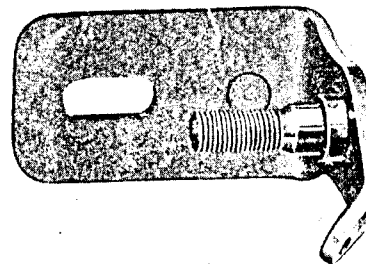


210554



PLATE 10881—FULL SIZE

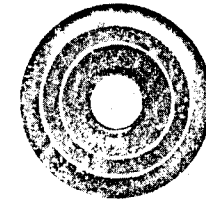
225461



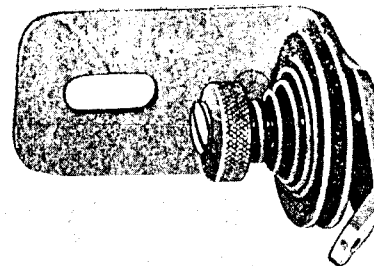
200082 202104



2102



225462



202407



201499



201572



PLATE 10882—FULL SIZE

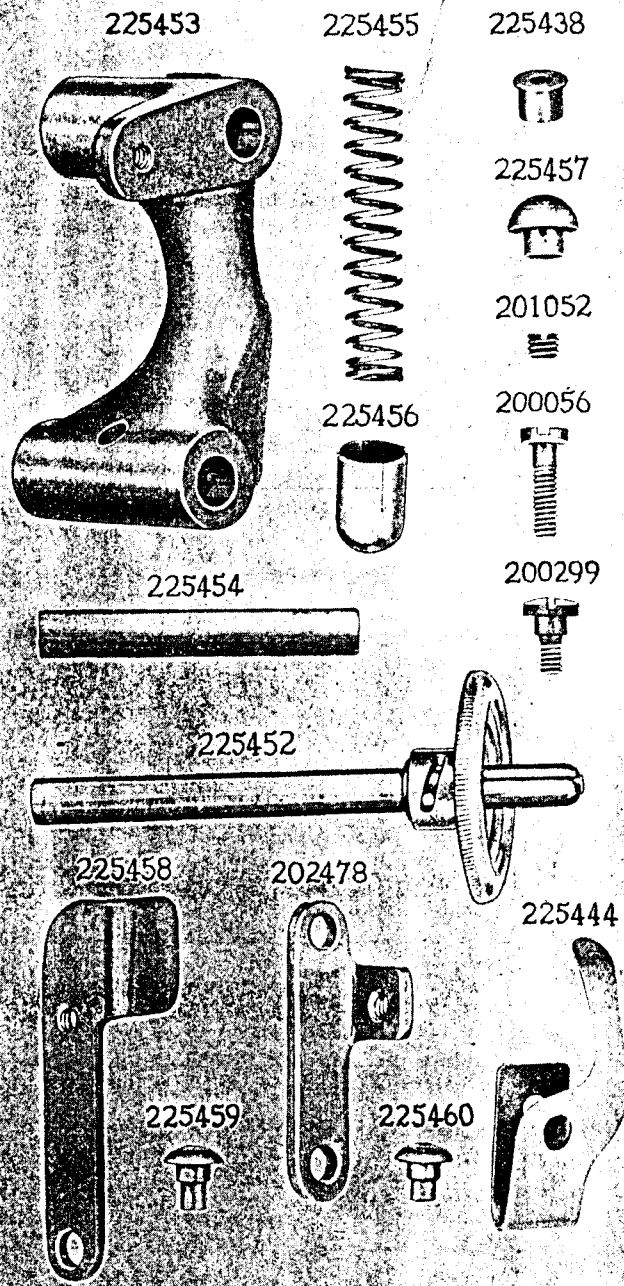


PLATE 10883—ONE-FOURTH SIZE

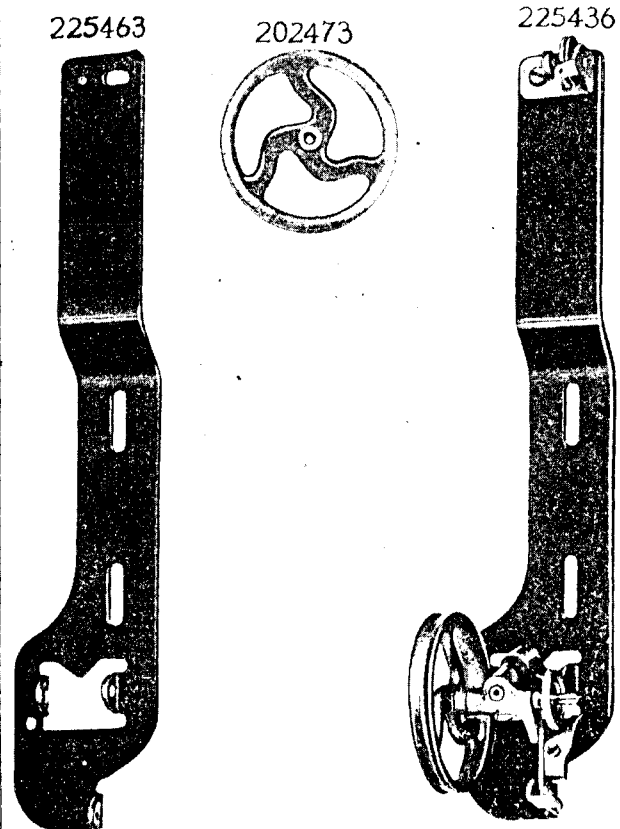


PLATE 11670-ONE-HALF SIZE

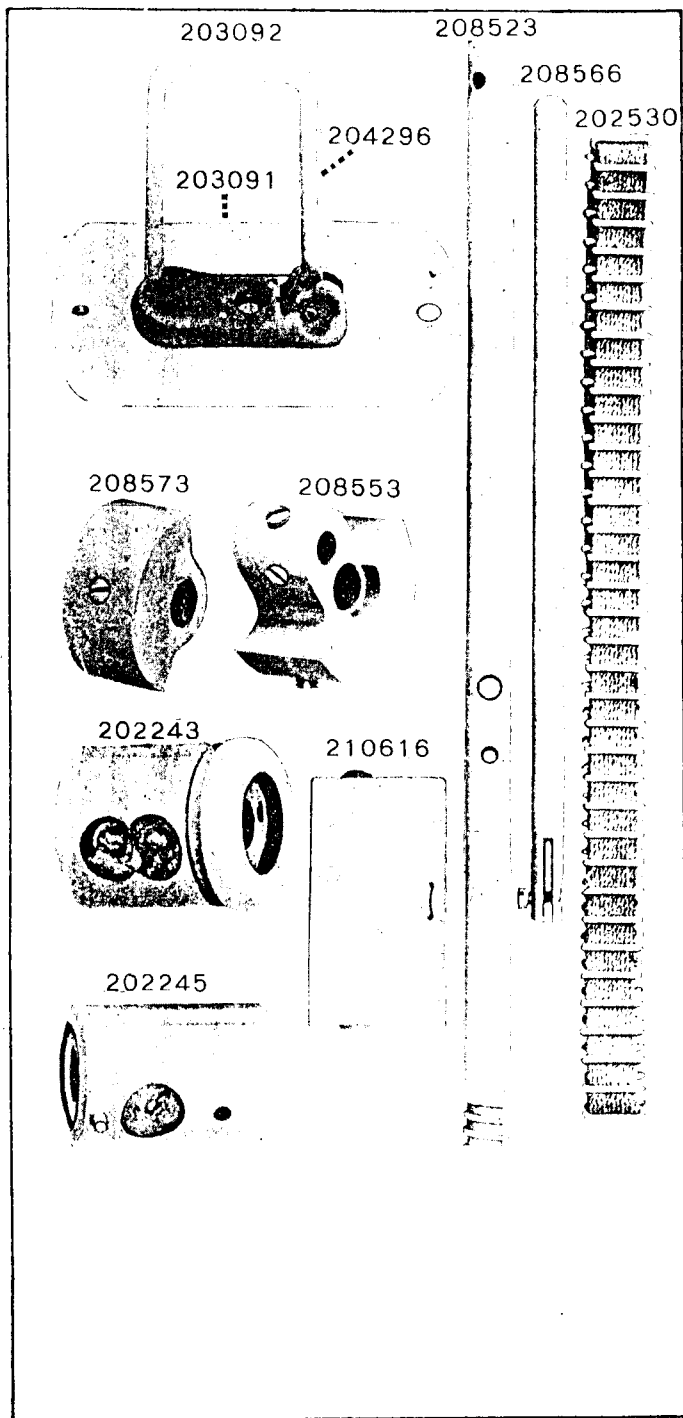


PLATE 11671-FULL SIZE

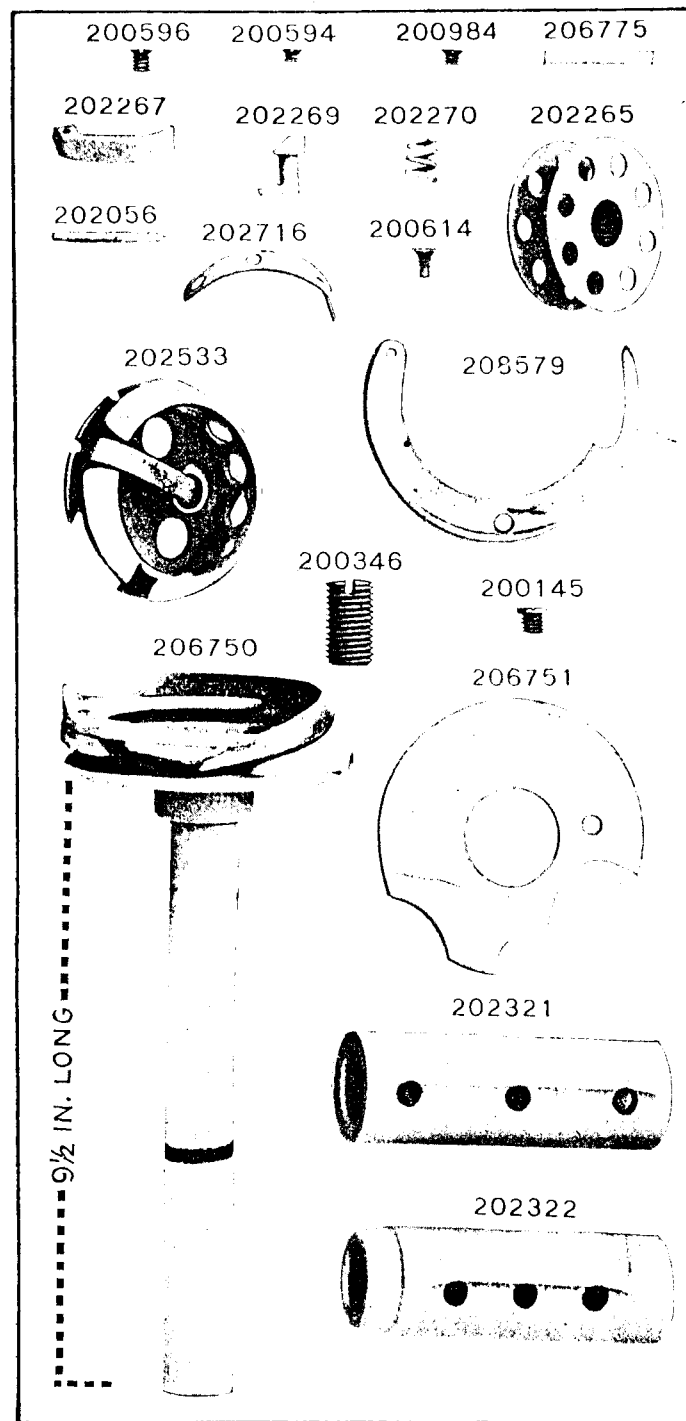


PLATE 11672-FULL SIZE

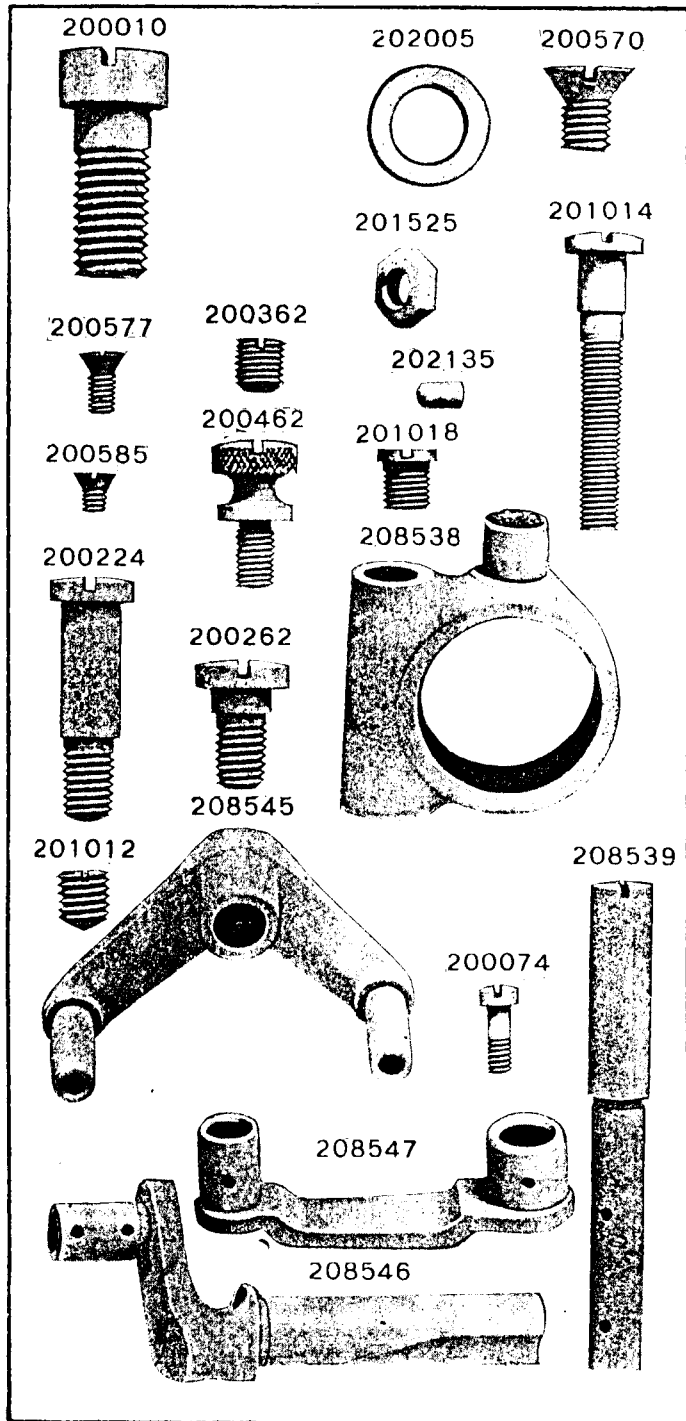


PLATE 11673-FULL SIZE

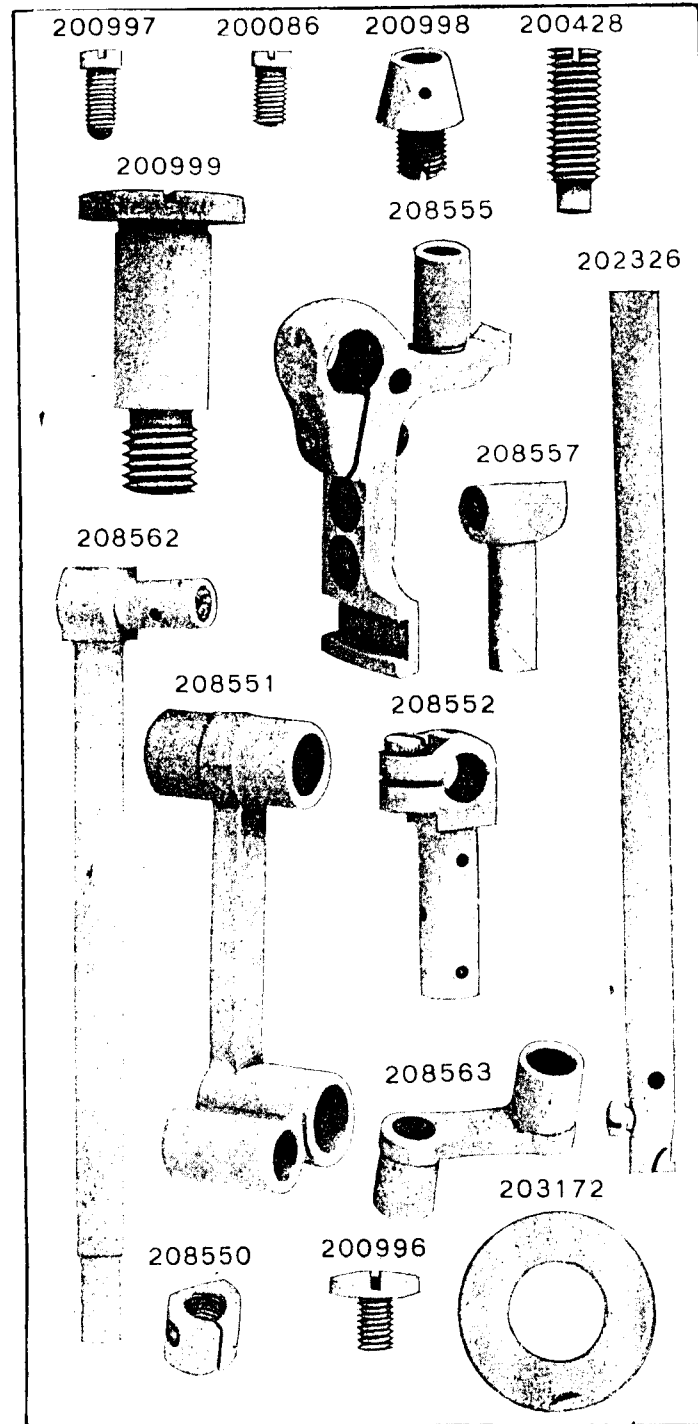


PLATE 11674 - FULL SIZE

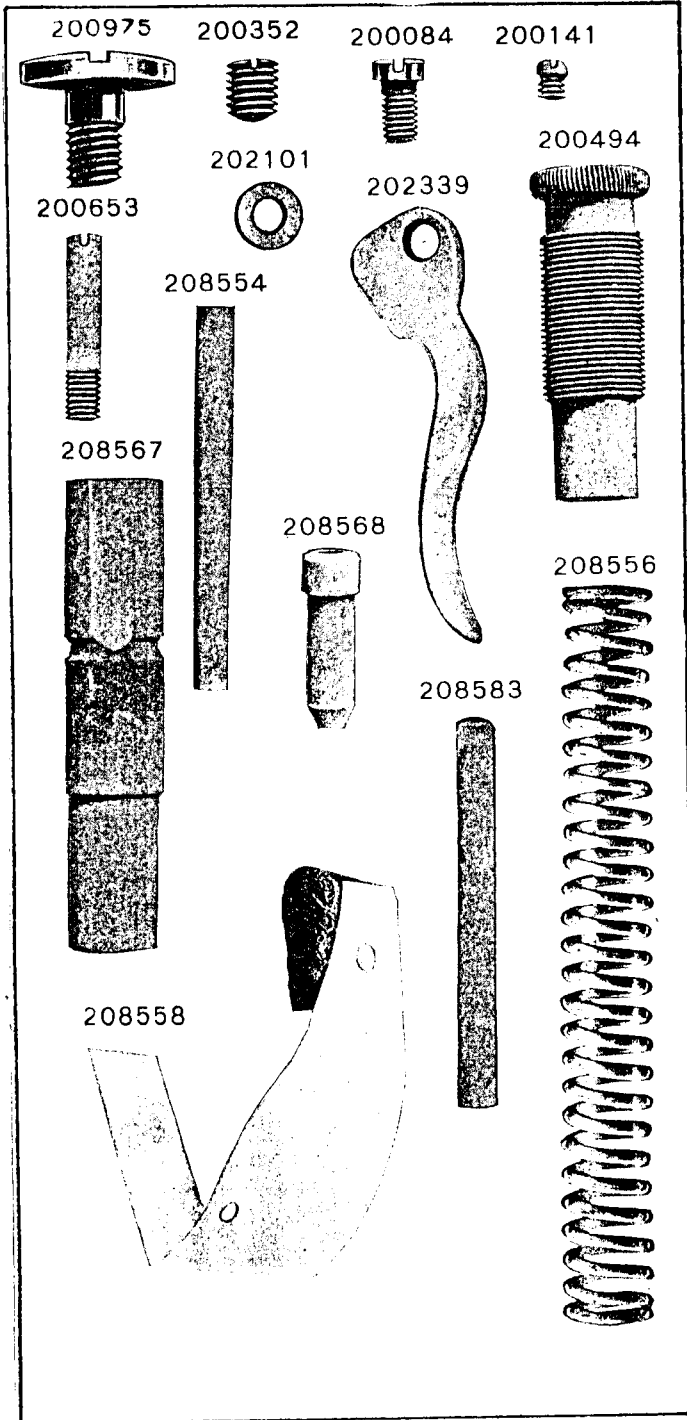


PLATE 11676 - FULL SIZE

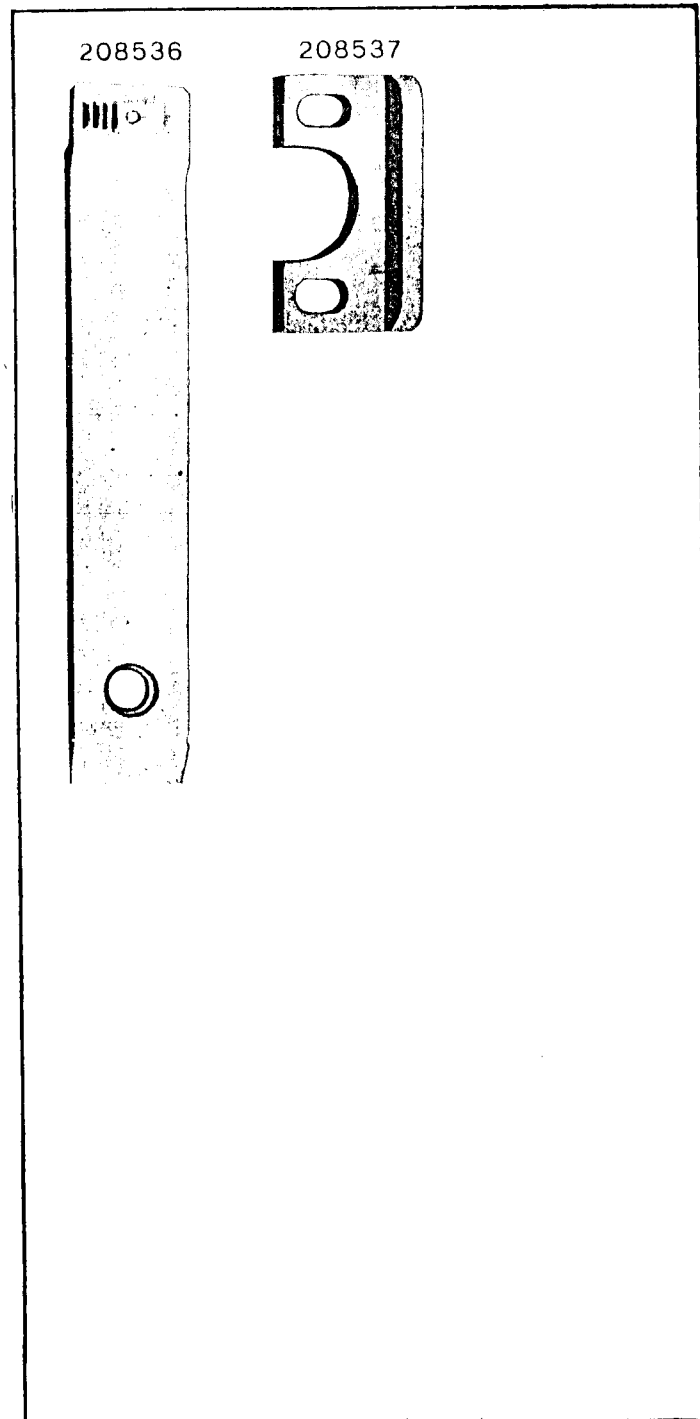


PLATE 11677-FULL SIZE

208561

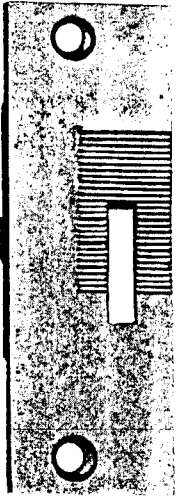
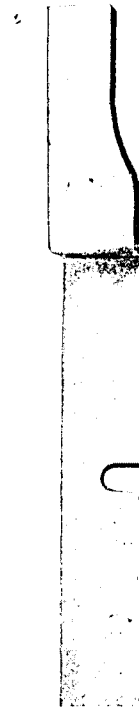


PLATE 11679-FULL SIZE

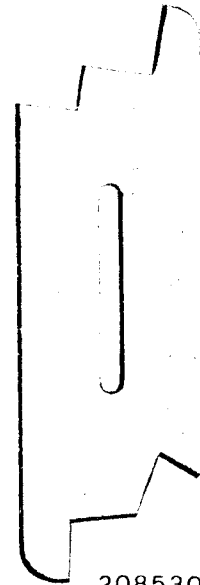
201000 201001



208594



208528



208530

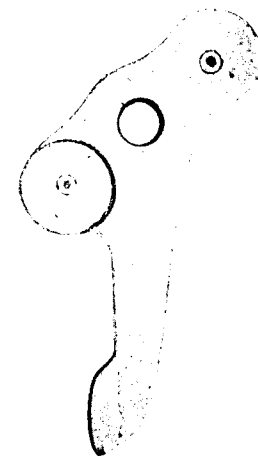


PLATE 11682--ONE-FOURTH SIZE

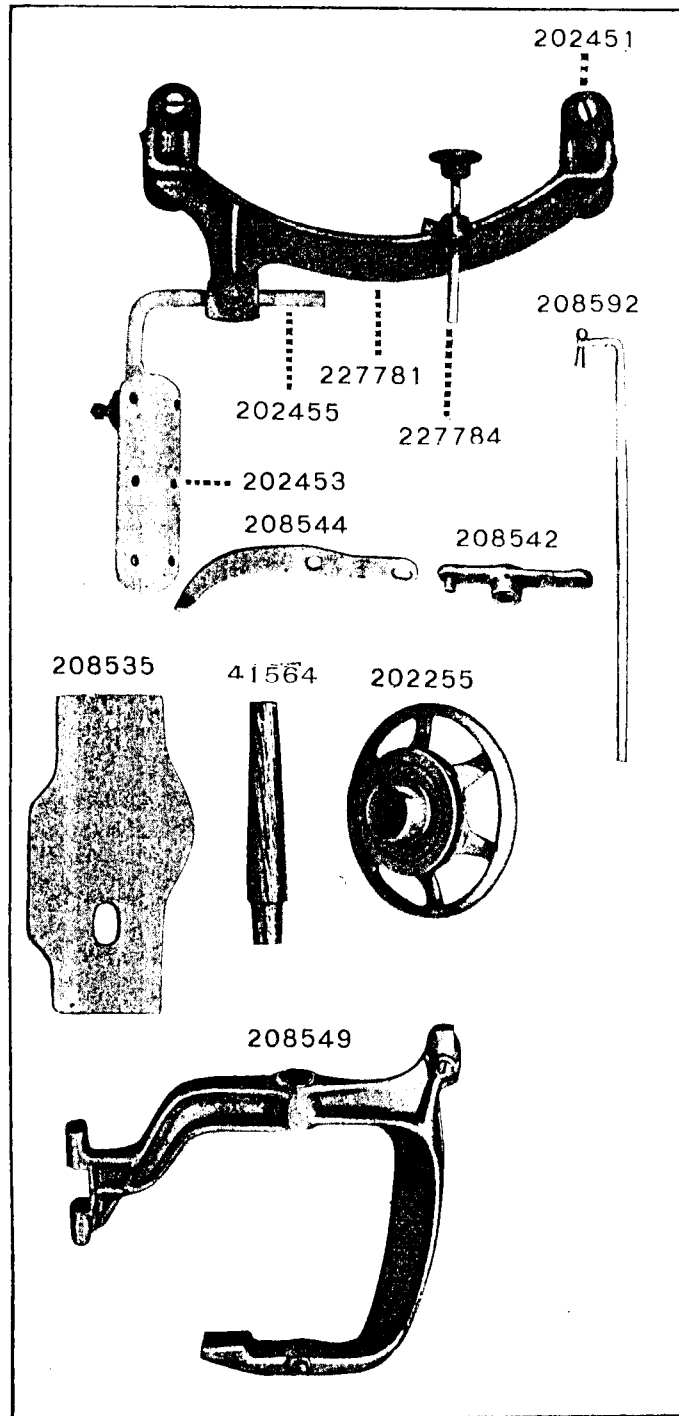


PLATE 11683 ONE-FOURTH SIZE

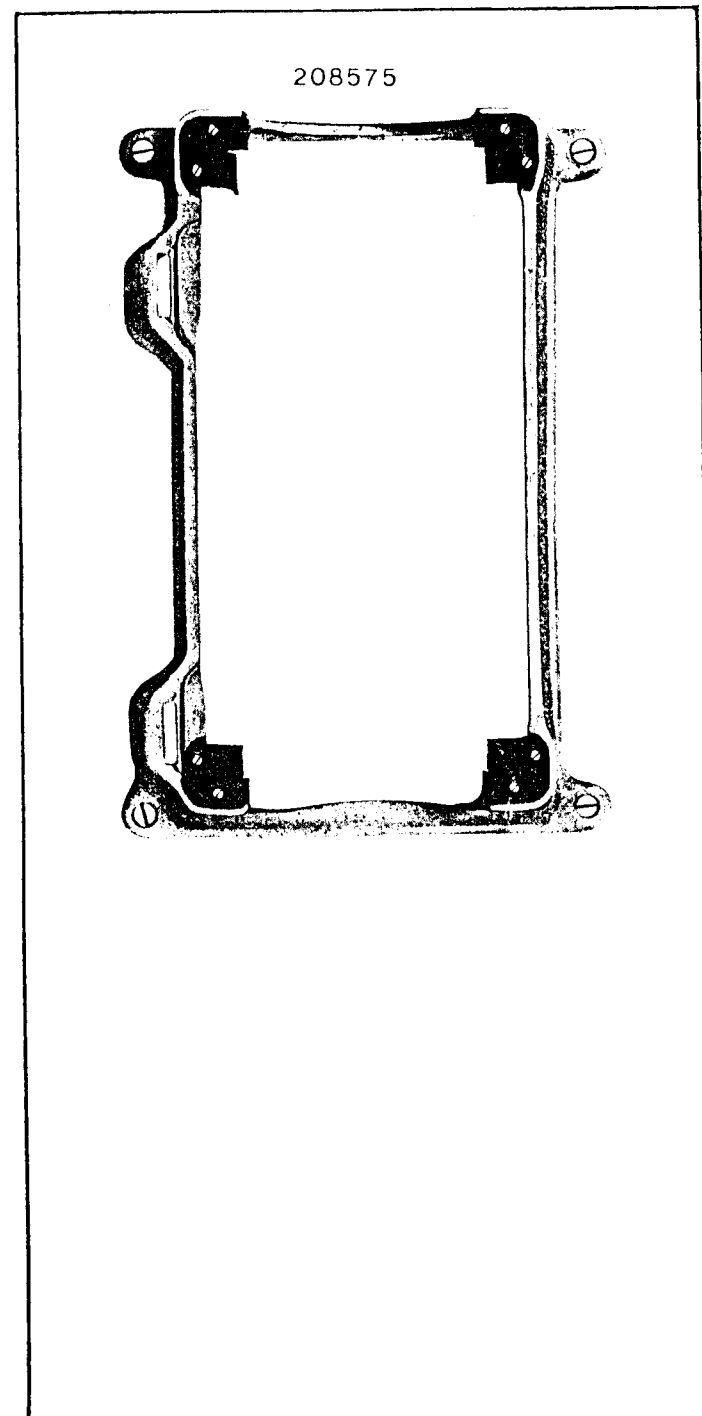


PLATE 11684—FULL SIZE

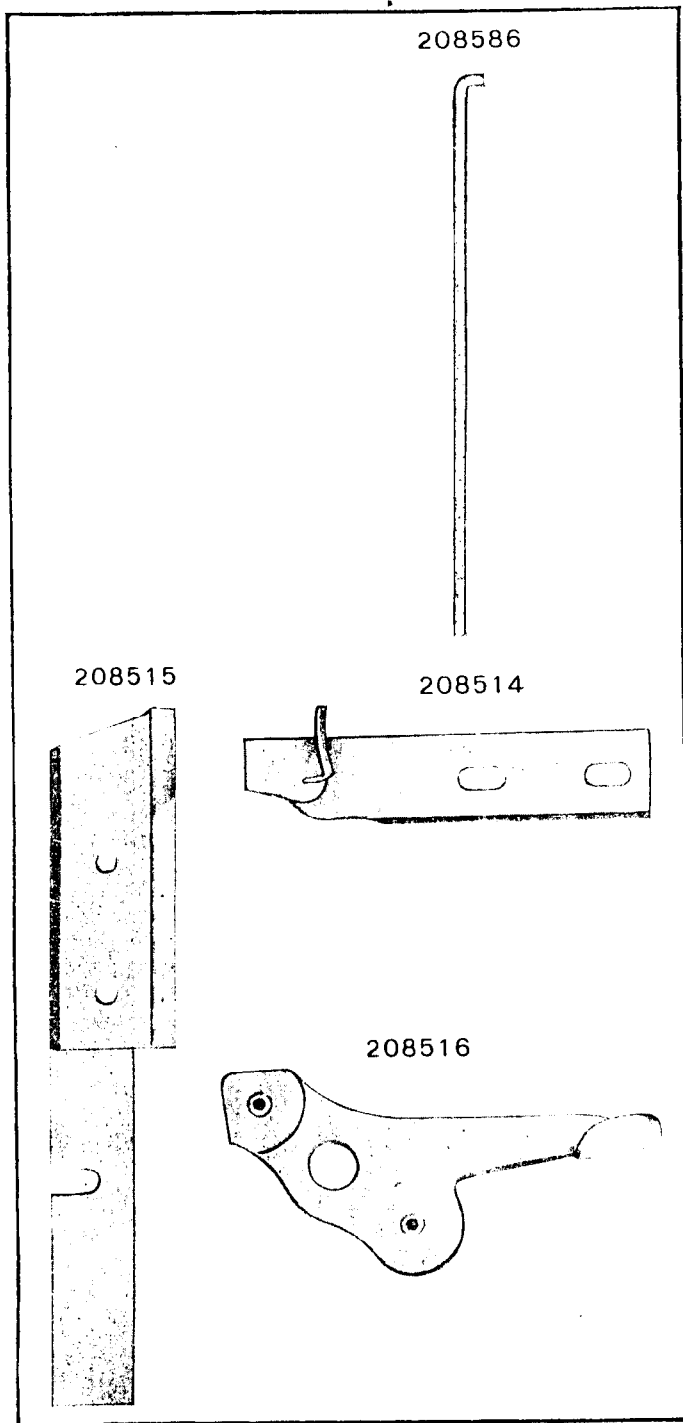


PLATE 12345—ONE-HALF SIZE

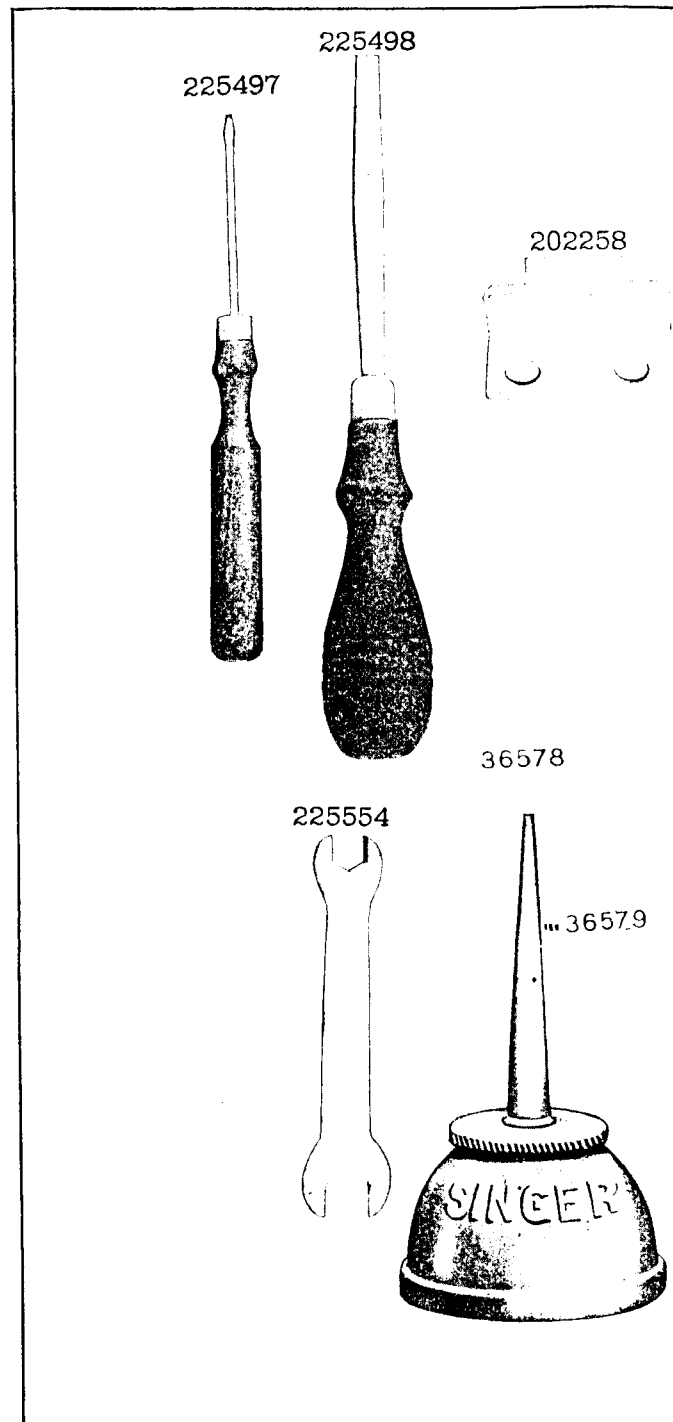


PLATE 13451—FULL SIZE

