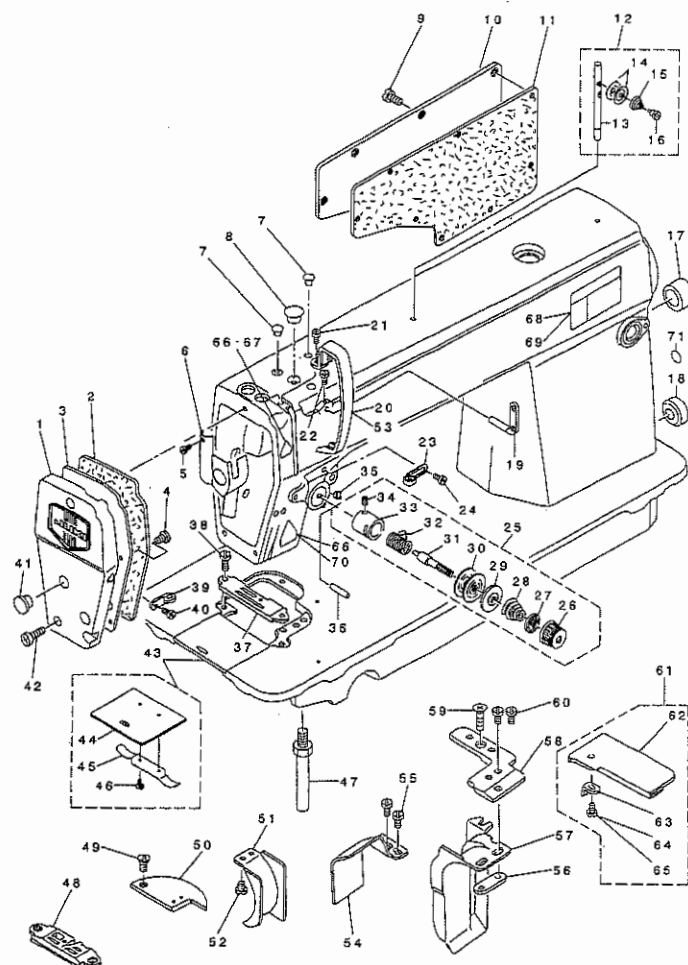


JUKI®High Speed 1-Needle, Lockstitch Industrial Sewing
Machine With Vertical Edge Trimmer**DLM-5200N**High Speed 1-Needle, Lockstitch Industrial Sewing
Machine With Vertical Edge Trimmer (Front Type)**DLM-5210N****PARTS LIST**

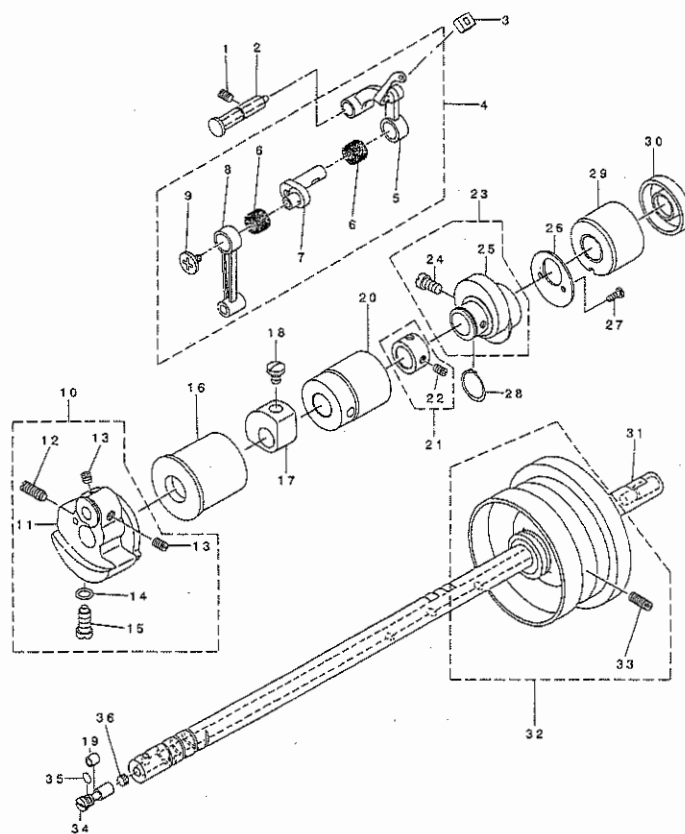
29122603

No.0895-04

**1. MACHINE FRAME & MISCELLANEOUS COVER
COMPONENTS**

REF. NO.	NOTE	PART NO.	DESCRIPTION	Qty
1		113-36559	FACE PLATE ASM.	1
2		110-00304	FACE PLATE GASKET	1
3		113-30602	FACE PLATE COVER	1
4		SS-1110840-SP	SCREW 11/64-40 L=8	3
5		SS-6080410-SP	SCREW 1/8-44 L=4	1
6		229-00757	FACE PLATE OIL SHIELD ASM.	1
7		TA-0850604-R0	RUBBER PLUG	2
8		TA-1250705-R0	RUBBER PLUG	1
9		SS-4120915-SP	SCREW 3/16-28 L=9	8
10		110-70901	SIDE PLATE	1
11		110-00619	GASKET	1
12		229-32562	NEEDLE THREAD GUIDE PIN ASM.	1
13		229-32503	THREAD GUIDE ROD	(1)
14		229-32602	THREAD GUIDE DISK	(2)
15		229-32701	THREAD GUIDE DISK SPRING	(1)
16		SD-0380552-SL	HINGE SCREW D=3.8 H=5.5	(1)
17		TA-2000502-R0	RUBBER PLUG	1
18		TA-2101002-R0	RUBBER PLUG	1
19		229-20706	TWO EYELET	1
20		114-00405	THREAD TAKE-UP LEVER COVER	1
21		SS-4120615-SP	SCREW 3/16-28 L=6	1
22		SS-4120615-SP	SCREW 3/16-28 L=6	1
23		229-20508	ARM THREAD GUIDE A	1
24		110-01500	SCREW	1
25		110-72253	THREAD TENSION ASM.	1
26		110-72204	TENSION NUT	(1)
27		B3120-125-000	ROTATING STOPPER	(1)
28		B3129-012-A00	TENSION SPRING	(1)
29		B3132-552-000	THREAD TENSION DISK PRESSER	(1)
30		B3126-012-000	THREAD TENSION DISK	(2)
31		B3115-552-000	TENSION POST	(1)
32		B3128-012-000	TAKE-UP SPRING	(1)
33		B3111-552-B90	TENSION POST SOCKET	(1)
34		SS-8090670-SP	SCREW 9/64-40 L=5.6	(1)
35		SS-8150710-SP	SCREW 15/64-28 L=7	1
36		B3118-552-E00	TENSION RELEASING	1
37	#02	B1190-522-S00	GAUGE PLATE 1/8 S	1
38		SS-2110920-TP	SCREW 11/64-40 L=8.5	2
39		113-31402	ARM THREAD GUIDE, B	1
40		SS-6110610-TP	SCREW 11/64-40 L=6	1
41		TA-1250406-R0	RUBBER PLUG D=12.5 L=4	2
42		SS-4121615-SP	SCREW 3/16-28 L=16	3
43		229-01250	SLIDE PLATE ASM.	1
44		229-01201	SLIDE PLATE	(1)
45		229-01300	SLIDE PLATE SPRING	(1)
46		SS-6080210-SP	SCREW 3/32-55 L=1.9	(2)
47		110-01104	BED SCREW STUD	4
48	#01	B1190-523-000	GAUGE PLATE	1
49	#01	SS-2110920-TP	SCREW 11/64-40 L=8.5	1
50	#01	113-40304	THROAT PLATE	1
51	#01	B1191-523-000	WASTE MATERIAL GUARD	1
52	#01	SS-4080310-SP	SCREW 1/8-44 L=3.4	2
53	#03	114-15205	THREAD TAKE-UP LEVER COVER(JE)	1
54	#02	113-46400	WASTE MATERIAL GUIDE	1
55		SS-4080310-SP	SCREW 1/8-44 L=3.4	2

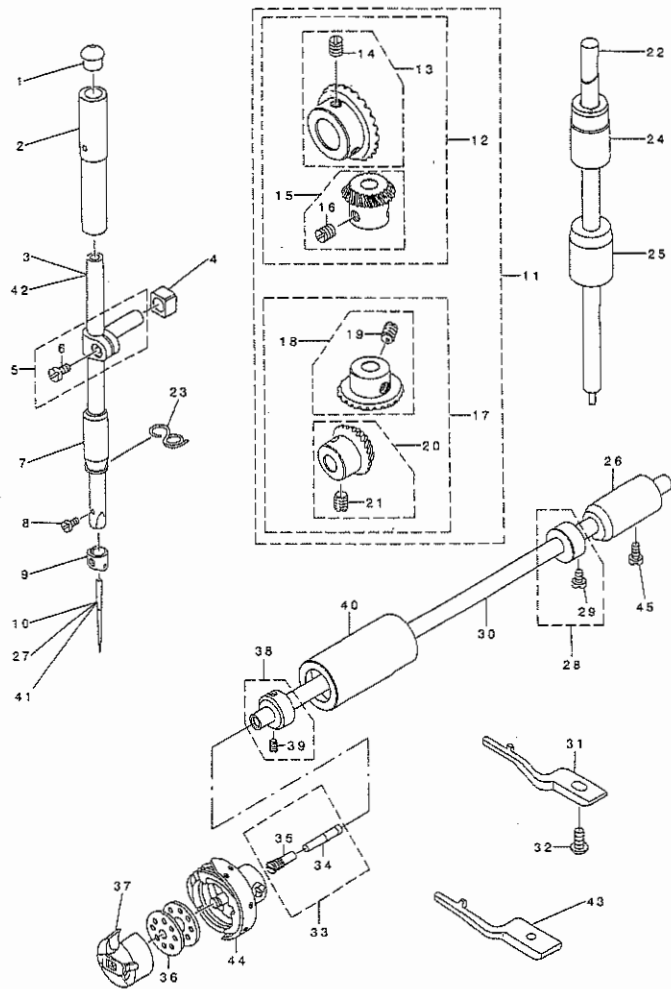
2. MAIN SHAFT & THREAD TAKE-UP LEVER COMPONENTS



REF. NO.	NOTE	PART NO.	DESCRIPTION	Qty.
1		SS-8151150-SP	SCREW 15/64-28 L=10.5	1
2		110-17357	THREAD TAKE-UP CRANK SHAFT ASM	1
3		B1909-505-000	RUBBER	1
4		110-39070	THREAD TAKE-UP LEVER ASM.	1
5		110-39062	THREAD TAKE-UP LEVER ASM.	(1)
6	#01	B1905-541-B00	NEEDLE BEARING	(2)
7		110-05204	NEEDLE BAR CRANK	(1)
8		B1408-552-000	NEEDLE BAR CRANK ROD	(1)
9		B1903-552-000	LEFT SCREW	(1)
10		113-31170	COUNTERWEIGHT ASM. LM	1
11		113-49214	COUNTERWEIGHT	(1)
12		SS-8681650-TP	SCREW 9/32-28 L=16	(1)
13		SS-8660610-TP	SCREW 1/4-40 L=6	(2)
14		RO-0442401-00	RUBBER RING	(1)
15		SS-7681650-TP	SCREW 9/32-28 L=16	(1)
16		113-49107	BUSHING, FRONT	1
17		113-49404	BALANCER	1
18		SS-7150940-SP	SCREW 15/64-28 L=9	2
19		B1215-552-000	OIL ADJUSTING COLLAR	1
20		110-02300	BUSHING, INTERMEDIATE	1
21		CS-147121A-SH	THRUST COLLAR ASM. D=14.72 W=12	1
22		SS-8660610-TP	SCREW 1/4-40 L=6	(2)
23		229-10053	FEED DRIVE ECCENTRIC CAM ASM.	1
24		SS-6661110-SP	SCREW 1/4-40 L=11	(2)
25		229-10004	FEED DRIVE ECCENTRIC CAM	(1)
26		229-10103	THRUST COLLAR	1
27		SS-8090650-SP	SCREW 9/64-40 L=6	2
28		RC-1850001-KP	SNAP RING 18.5	1
29		110-02409	MAIN SHAFT BUSHING, REAR	1
30		110-02508	OIL SEAL	1
31		113-49008	MAIN SHAFT	1
32		110-71354	FLYWHEEL ASM.	1
33		SS-8151150-SP	SCREW 15/64-28 L=15	(2)
34		110-03001	OIL AMOUNT ADJUSTING PIN	1
35		RO-0291801-00	RUBBER RING	1
36		110-02904	ROLLER FELT	1

NOTE #01....SELECTIVE PART(A~D)

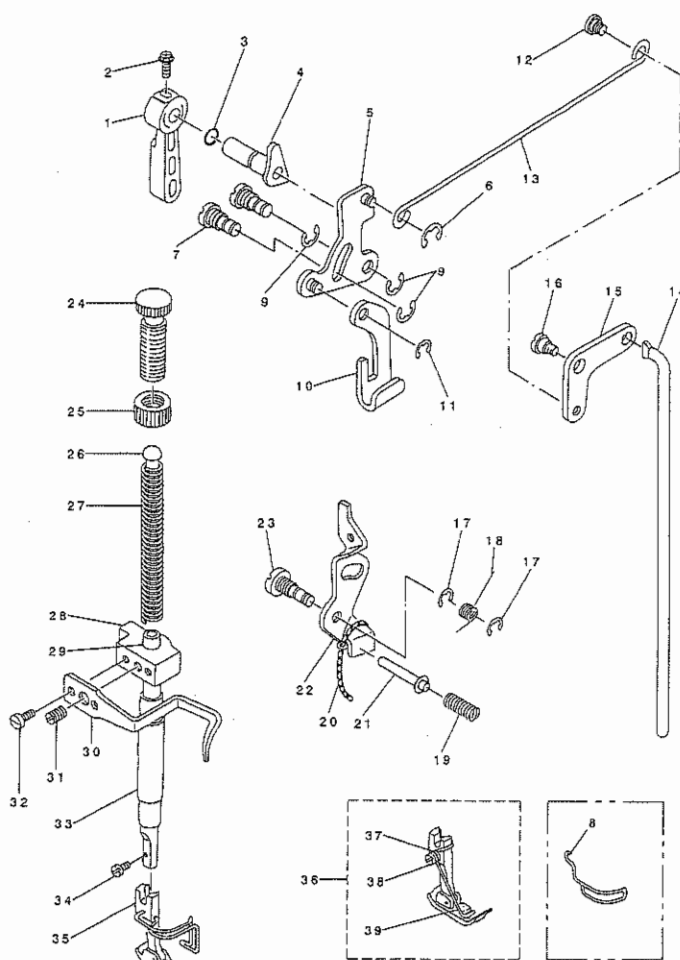
3. NEEDLE BAR, UPRIGHT SHAFT & HOOK DRIVING SHAFT COMPONENTS



REF. NO.	NOTE	PART NO.	DESCRIPTION	Qty
1		B1405-012-000	CAP	1
2		B1402-552-000-A	NEEDLE BAR BUSHING, UPPER	1
3		B1401-522-A00-A	NEEDLE BAR (A)	1
4		B1414-555-000	SLIDE BLOCK	1
5		B1411-552-0A0	NEEDLE BAR CONNECTING ASM.	1
6		SS-6090670-TP	SCREW 9/64-40 L=6	(1)
7		B1403-155-000	NEEDLE BAR BUSHING, LOWER	1
8		SS-7080510-TP	SCREW 1/8-44 L=4.5	1
9		113-31204	NEEDLE BAR THREAD GUIDE	1
10		MDB-100B1400	NEEDLE DEX1 #14	1
11		B1306-155-0C0	GEAR & PINION ASM.	1
12		B1306-155-0B0	GEAR & PINION ASM., UPPER	(1)
13		B1305-012-0A0	GEAR ASM.	(1)
14		SS-8660810-TP	SCREW 1/4-40 L=8	(2)
15		B1306-155-0A0	PINION ASM.	(1)
16		SS-8660810-TP	SCREW 1/4-40 L=8	(2)
17		B1307-155-0B0	GEAR & PINION ASM., LOWER	(1)
18		B1307-155-0A0	GEAR ASM. LARGE	(1)
19		SS-8660810-TP	SCREW 1/4-40 L=8	(2)
20		B1308-155-0A0	PINION ASM.	(1)
21		SS-8660810-TP	SCREW 1/4-40 L=8	(2)
22		229-05004	UPRIGHT SHAFT	1
23		113-31303	NEEDLE BAR THREAD GUIDE	1
24		229-05103	UPRIGHT SHAFT BUSHING, UPPER	1
25		110-04207	UPRIGHT SHAFT BUSHING, LOWER	1
26		110-15807	BUSHING, REAR	1
27	#03	MC-2005009-00	NEEDLE 134 90	1
28		CS-079101A-SH	THRUST COLLAR ASM. D=7.94 W=10	1
29		SS-6110420-TP	SCREW 11/64-40 L=4.8	(2)
30		229-16001	HOOK DRIVING SHAFT	1
31		229-16407	BOBBIN CASE POSITIONING FINGER	1
32		SS-4110915-TP	SCREW 11/64-40 L=9	1
33		110-15955	OIL SEAL SCREW ASM.	1
34		110-15906	OIL WICK	(1)
35		B1808-552-000	OIL SEAL SCREW	(1)
36		B9117-012-000	BOBBIN	1
37		B1837-012-0A0	BOBBIN CASE ASM.	1
38		CS-079073A-SH	THRUST COLLAR ASM.	1
39		SS-8110410-TP	SCREW 11/64-40 L= 3.5	(2)
40		229-16100	HOOK DRIVING SHAFT BUSH, FRONT	1
41	#04	MDP-500B1400	NEEDLE DFX5 #14	1
42	#02	B1401-522-B00-A	NEEDLE BAR(B)	1
43	#01	B1835-523-000	POSITIONING FINGER	1
44		B1830-127-0A0	HOOK ASM.	1
45		SS-4120915-SP	SCREW 3/16-28 L=9	1

NOTE #01... FOR DLM-5210N
#02... FOR JE, JO
#03... FOR JE
#04... FOR JE

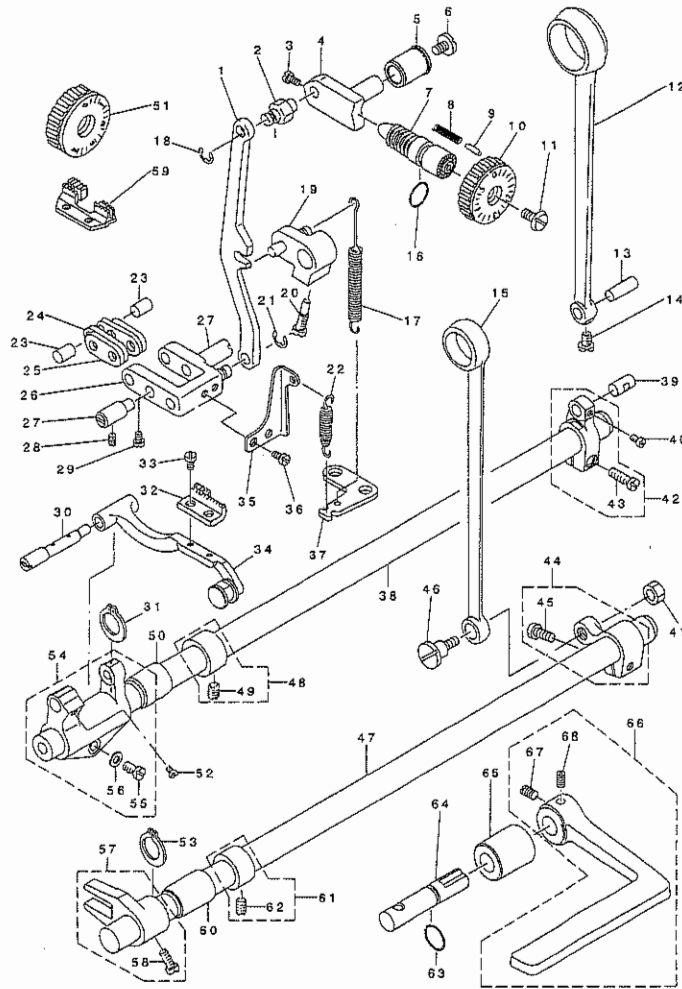
4. HAND LIFTER COMPONENTS



REF. NO.	NOTE	PART NO.	DESCRIPTION	Qty
1		110-71800	HAND LIFTER	1
2		B1521-555-000	SCREW	1
3		RO-0371801-00	RUBBER RING	1
4		110-92558	HAND LIFTER CAM ASM.	1
5		110-06350	HAND LIFTER LINK	1
6		RE-0500000-K0	E-RING	1
7		110-06509	LINK SHAFT	2
8	#03	B1421-523-000	FINGER PROTECTOR	1
9		RE-0500000-K0	E-RING	3
10		110-06202	LIFTING LEVER	1
11		110-07309	E-RING	1
12		110-07101	HINGE SCREW	1
13		110-06905	LIFTING LEVER CONNECTING ROD	1
14		229-09006	KNEE LIFTER CONNECTING ROD	1
15		229-08800	KNEE LIFTER LINK	1
16		SD-0720331-SP	HINGE SCREW D= 7.24 H= 3.3	1
17		RE-0500000-K0	E-RING	2
18		110-18207	TENSION RELEASE RETURN SPRING	1
19		110-18405	TENSION RELEASE PIN SPRING	1
20		CQ-2020000-00	OIL WICK	0.14
21		110-18306	TENSION RELEASE SUPPORTING PIN	1
22		110-18009	TENSION RELEASE PLATE	1
23		110-18108	TENSION RELEASE SHAFT	1
24		110-71802	PRESSER SPRING REGULATOR	1
25		110-71701	NUT	1
26		229-07703	PRESSER GUIDE BAR	1
27		229-07406	PRESSER SPRING	1
28		110-06004	PRESSER BAR GUIDE BRACKET	1
29		B1501-522-000	PRESSER BAR	1
30		110-06103	PRESSER BAR THREAD GUIDE	1
31		SS-8660810-TP	SCREW 1/4-40 L=8	1
32		SS-6090910-SP	SCREW 9/64-40 L=9	2
33		B1502-541-000	PRESSER BAR BUSHING, LOWER	1
34		SS-7091110-SP	SCREW 9/64-40 L=10.5	1
35	#02	B1524-522-NBQ-A	PRESSER FOOT ASM.	1
36	#01	B1524-523-0A0	PRESSER FOOT ASM.	1
37	#01	WP-0460556-SD	WASHER 4.6X7.5X0.5	(1)
38	#01	SD-0450401-SP	HINGE SCREW D= 4.5 H= 4	(1)
39	#01	B1524-523-00E	SPRING	(1)

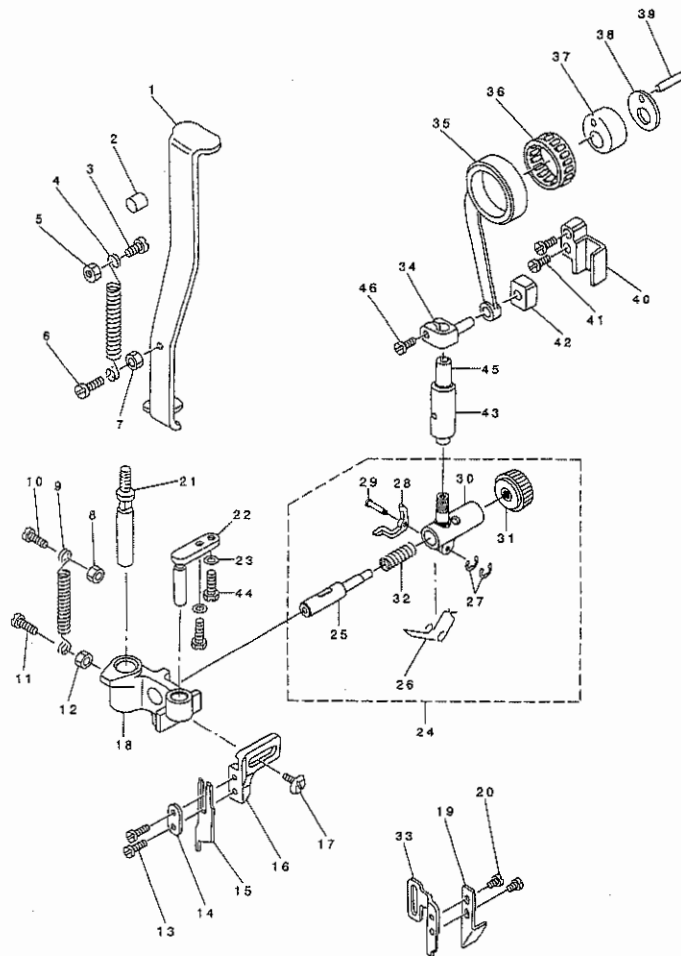
NOTE #01...FOR DLM-5210N(A,SPECITICATION)
SEE THE TABLE OF EXECHANGING
GAUGES FOR DLM-5210
#02...SEE THE TABLE OF EXECHANGING
GAUGES FOR DLM-5200N
#03...FOR DLM-5210N

5. FEED MECHANISM COMPONENTS



REF. NO.	NOTE	PART NO.	DESCRIPTION	Qty.
1		110-09503	FEED REGULATOR CONNECTING ROD	1
2		110-09602	FEED REGULATOR PIN	1
3		SS-6090670-TP	SCREW 9/64-40 L=6	2
4		110-09701	FEED REGULATOR	1
5		229-11705	FEED REGULATOR BUSHING	1
6		SS-7120770-SH	SCREW 3/16-28 L=7	1
7		110-09909	FEED REGULATOR SCREW	1
8		229-12109	FEED REGULATOR PIN SPRING	1
9		110-52701	PIN	1
10	#01	110-71909	FEED DIAL	1
11		SS-6121860-SP	SCREW 3/16-28 L=18	1
12		110-08208	ROCKER SHAFT CONNECTING ROD	1
13		229-11101	WALKING FOOT PIN C	1
14		SS-6090620-SP	SCREW 9/64-40 L=6	1
15		110-14008	CONNECTING ROD	1
16		RU-0922702-00	RUBBER RING	1
17		110-10303	FEED REVERSE SPRING	1
18		RE-0500000-KO	E-RING	1
19		110-10154	FEED REVERSE ARM ASM.	1
20		110-10410	FEED REVERSE ARM SCREW	1
21		RE-0500000-KO	E-RING	1
22		110-09404	ADJUSTING LINK SPRING	1
23		229-10905	WALKING FOOT PIN A	2
24		110-08703	WALKING FOOT LINK	2
25		110-08604	CONNECTING LINK A	2
26		110-08455	WALKING FOOT ADJUSTING LINK	1
27		110-08802	ADJUSTING LINK FULCRUM SHAFT A	2
28		SS-8150710-SP	SCREW 15/64-28 L=7	2
29		SS-6090620-SP	SCREW 9/64-40 L=6	2
30		229-40803	FEED BAR SHAFT	1
31		RC-0150001-KP	RETAINING RING 13.8	1
32	#03	81613-522-N00-A	FEED BOG	1
33		SS-4080620-TP	SCREW 1/8-44 L=6	2
34		229-71857	FEED BASE ASM.	1
35		110-92301	ADJUSTING LINK SPRING GUIDE	1
36		SS-4110515-SP	SCREW 11/64-40 L=5	2
37		229-13701	FEED SPRING HOOK	1
38		229-12901	FEED ROCKER SHAFT	1
39		229-11002	WALKING FOOT PIN B	1
40		SS-6090620-SP	SCREW 9/64-40 L=6	1
41		NS-6680410-SP	NUT 9/32-28	1
42		229-10350	FEED ROCKER SHAFT CRANK ASM.	1
43		SS-6121610-SP	SCREW 3/16-28 L=15.5	(1)
44		229-15151	FEED ARM COMPL.	1
45		SS-7121610-SP	SCREW 3/16-28 L=15.5	(1)
46		SD-1000801-SH	HINGE SCREW D=10 H=8	1
47		229-15201	FEED DRIVING SHAFT	1
48		CS-147121A-SH	THRUST COLLAR ASM. D=14.72 W=12	1
49		SS-8660610-TP	SCREW 1/4-40 L=6	(2)
50		110-10907	FEED ROCKER SHAFT BUSHING	1
51	#02	110-72096	FEED DIAL	1
52		SS-7110740-TP	SCREW 11/64-40 L=7	1
53		RC-0150001-KP	RETAINING RING 13.8	1

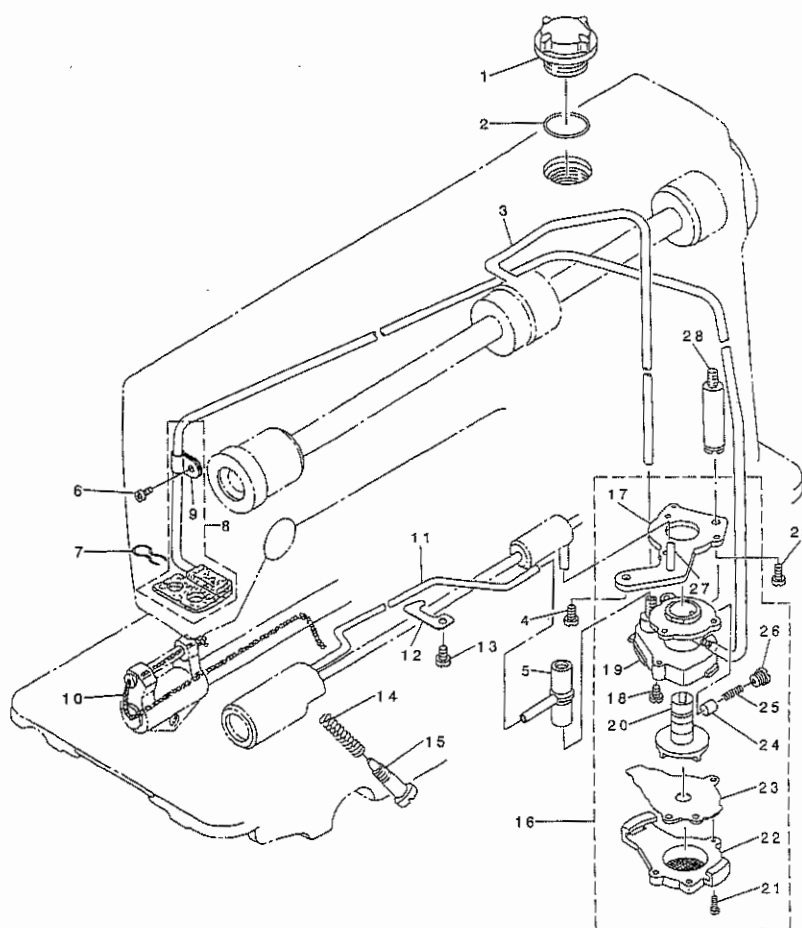
6. KNIFE COMPONENTS



REF. NO	NOTE	PART NO.	DESCRIPTION	Qty
1		113-32400	KNIFE POSITIONING PLATE	1
2		B4131-522-000	FELT	1
3		SS-4090815-SP	SCREW 9/64-40 L=8	1
4		B4133-522-000	TENSION SPRING	1
5		NS-6090310-SP	NUT 9/64-40	1
6		SS-4090815-SP	SCREW 9/64-40 L=8	1
7		NS-6090310-SP	NUT 9/64-40	1
8		NS-6120310-SP	NUT 3/16-28	1
9		B4119-522-000	TENSION SPRING	1
10		SS-6121010-SP	SCREW 3/16-28 L=10	1
11		SS-6111010-SP	SCREW 11/64-40 L= 9.5	1
12		NS-6110420-SP	NUT 11/64-40	1
13		SS-4080610-SP	SCREW 1/8-44 L=6.4	2
14		B4122-522-000	WASHER	1
15	#03	B4121-522-000	KNIFE	1
16		B4120-522-000	KNIFE HOLDER	1
17		SS-6110810-TP	SCREW 11/64-40 L=8	1
18		B4113-522-000-A	KNIFE DRIVING BLOCK	1
19	#01	B4135-523-000	CUTTING CLOTH SEPARATER	1
20	#01	SS-5060410-SP	SCREW 3/32-56 L=3.5	2
21		B4114-522-000	KNIFE DRIVING BLOCK STUD	1
22		B4115-522-000	GUIDE STUD FOR KNIFE DRIVING B	1
23		WP-0480856-SP	WASHER 4.8X8.4X0.8	2
24		B4103-522-0A0	CLUTCH RETAI ASM.	1
25		B4111-522-000-A	KNIFE DRIVING ROD CLUTCH PIN	(1)
26		B4125-522-000	SPRING	(1)
27		RE-0200000-K0	E-RING	(2)
28		B4124-522-000	KNIFE RELEASE LEVER	(1)
29		B4126-522-000-A	KNIFE RELEASE LEVER PIN	(1)
30		B4103-522-000-A	KNIFE DRIVING ROD CLUTCH RETAI	(1)
31		B4109-522-000-A	KNIFE DRIVING ROD CLUTCH KNOB	(1)
32		B4110-522-000	SPRING	(1)
33	#02	B4121-523-000	KNIFE	1
34		113-32202	KNIFE DRIVING STUD CONNECTION	1
35		113-32301	KNIFE DRIVING ROD	1
36		B4123-522-000	KNIFE NEEDLE BEARING	1
37		B4106-522-000-B	KNIFE CAM	1
38		B4132-522-000-A	THRUST PLATE	1
39		B4107-522-000	PIN	1
40		B4108-522-000	SLIDE BLOCK GUIDE	1
41		SS-6121060-SP	SCREW 3/16-28 L=9.5	2
42		B1414-555-000	SLIDE BLOCK	1
43		B4116-530-000	BUSHING	1
44		SS-9120910-TP	SCREW 3/16-28 L=9	2
45		B4102-522-000	KNIFE DRIVING STUD	1
46		SS-6090810-TP	SCREW 9/64-40 L=7.5	1

NOTE #01....FOR DLM-5210N
#02....FOR DLM-5210N
SEE THE TABLE OF EXCHANGING
CAUSES FOR DLM 5210N

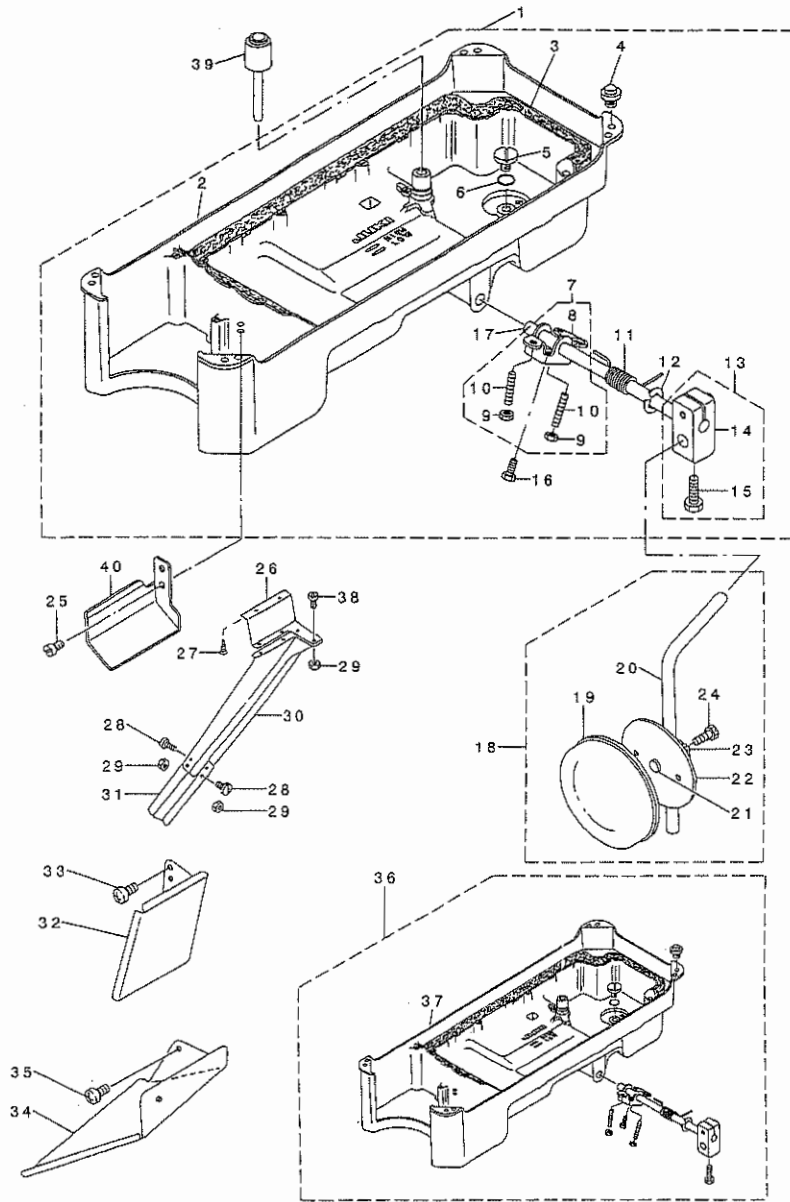
7. OIL LUBRICATION COMPONENTS



REF. NO	NOTE	PART NO.	DESCRIPTION	Qty
1		B3530-555-000	OIL SIGHT WINDOW	1
2		RO-1952401-00	RUBBER RING	1
3		110-21201	MAIN SHAFT OIL TUBE	1
4		SS-4150915-SP	SCREW 15/64-28 L=9	1
5		110-21409	RUBBER JOINT	1
6		SS-4120615-SP	SCREW 3/16-28 L=6	1
7		229-25101	OIL FELT PRESSER	1
8		113-31758	OIL RETURN TUBE ASM.	1
9		B3536-122-000	HOLDER	(1)
10		CQ-2520000-00	OIL WICK	0.3
11		229-24500	HOOK OIL TUBE	1
12		229-24807	PIPE HOLDER, LOWER	1
13		SS-4150915-SP	SCREW 15/64-28 L=9	1
14		229-24906	OIL REGULATOR SCREW SPRING	1
15		B3514-412-000	OIL ADJUSTING SCREW	1
16		110-20054	LUBRICATING OIL PUMP ASM.	1
17		110-20302	OIL PUMP INSTALLING BASE	(1)
18		SL-4030851-SF	SCREW M3 L=8	(3)
19		110-20005	OIL PUMP	(1)
20		110-20708	OIL PUMP IMPELLER	(1)
21		SE-4301041-SR	SCREW D=3 L=10	(3)
22		110-20203	LUBRICATING OIL PUMP COVER	(1)
23		110-20807	OIL PUMP IMPELLER COVER	(1)
24		110-20401	PLUNGER	(1)
25		110-20609	PLUNGER SPRING	(1)
26		110-20500	PLUNGER SCREW	(1)
27		110-20906	HOOK DRIVING SHAFT OIL TUBE	(1)
28		113-92107	OIL PUMP SUPPORT	1
29		SS-6111010-TP	SCREW 11/64-40 L= 9.5	1

8. OIL RESERVOIR COMPONENTS

9.



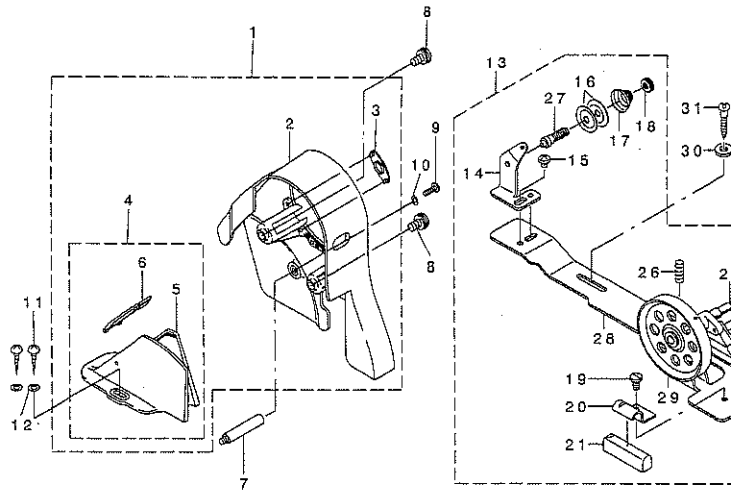
1
12

RE

REF. NO.	NOTE	PART NO.	DESCRIPTION	Qty.
1		113-60757	OIL RESERVOIR ASM.	1
2		113-60708	OIL RESERVOIR	(1)
3		110-23108	GASKET	(1)
4		110-47107	RUBBER CUSHION	(4)
5		SS-6700710-SH	SCREW 5/16-24 L=7	(1)
6		RO-0982401-00	RUBBER RING	(1)
7		229-32156	KNEE LIFTER ROTATION ARM ASM.	(1)
8		229-32107	KNEE LIFTER ROTATION ARM	(1)
9		NM-6060001-SE	NUT M6	(2)
10		SM-8063012-TR	SCREW M6 L=30	(2)
11		229-32206	SPRING	(1)
12		RE-1000000-KO	E-RING 10	(1)
13		229-32453	BRACKET ASM.	(1)
14		229-32404	BRACKET	(1)
15		229-34707	BRACKET SCREW	(2)
16		SM-9061853-SR	SCREW M6 L=17.5	(1)
17		229-32305	KNEE PRESS CROSS SHAFT	(1)
18		110-23751	KNEE PRESS PLATE ASM.	1
19		B3431-552-000-A	KNEE PRESS PLATE COVER	(1)
20		B3419-122-000	KNEE LIFTER PLATE ROD	(1)
21		110-24403	RUBBER	(1)
22		110-23702	KNEE PRESS PLATE	(1)
23		110-23801	KNEE PRESS PLATE HOLDER	(1)
24		SM-9061203-SE	SCREW M6 L=12	(1)
25		SS-4110715-SP	SCREW 11/64-40 L=7	2
26		B8226-522-000	WASTE MATERIAL CHUTE HOLDER	1
27		SK-3412000-SC	WOOD SCREW D=4.1 L=20	3
28		SS-7090610-SP	SCREW 9/64-40 L=6	4
29		NS-6090310-SP	NUT 9/64-40	8
30		B8224-523-000	WASTE MATERIAL CHUTE(LARGE)	1
31		B8225-522-000	WASTE MATERIAL CHUTE, SMALL	1
32	#01	113-41708	HOOK OIL COVER	1
33	#01	SS-4110715-SP	SCREW 11/64-40 L=7	2
34	#01	113-41807	WASTE MATERIAL CHUTE	1
35	#01	SS-4110515-SP	SCREW 11/64-40 L=5	2
36	#01	113-41559	OIL RESERVOIR ASM.	1
37	#01	113-41500	OIL RESERVOIR	(1)
38		SS-7091110-SP	SCREW 9/64-40 L=10.5	4
39		110-24304	KNEE PRESS LIFTER ROD	1
40		113-61003	OIL PUSH GUIDE	1

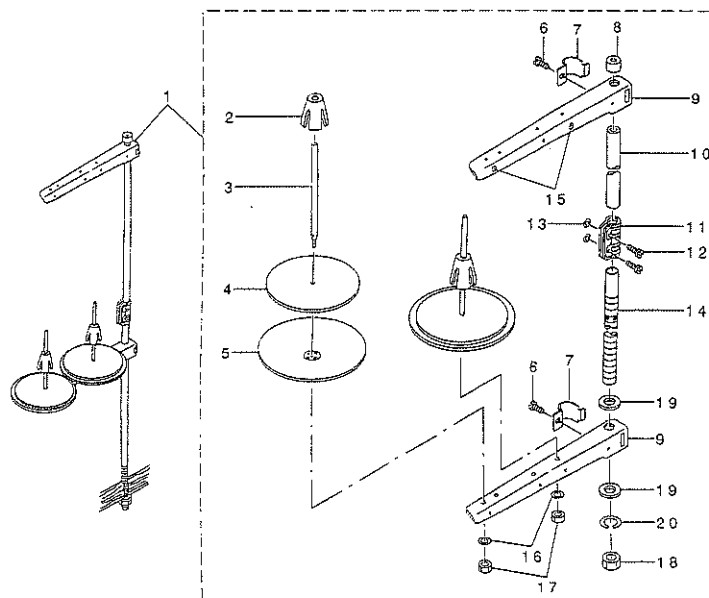
NOTE #01...FOR DLM-5210N

9. BELT COVER & BOBBIN WINDER COMPONENTS



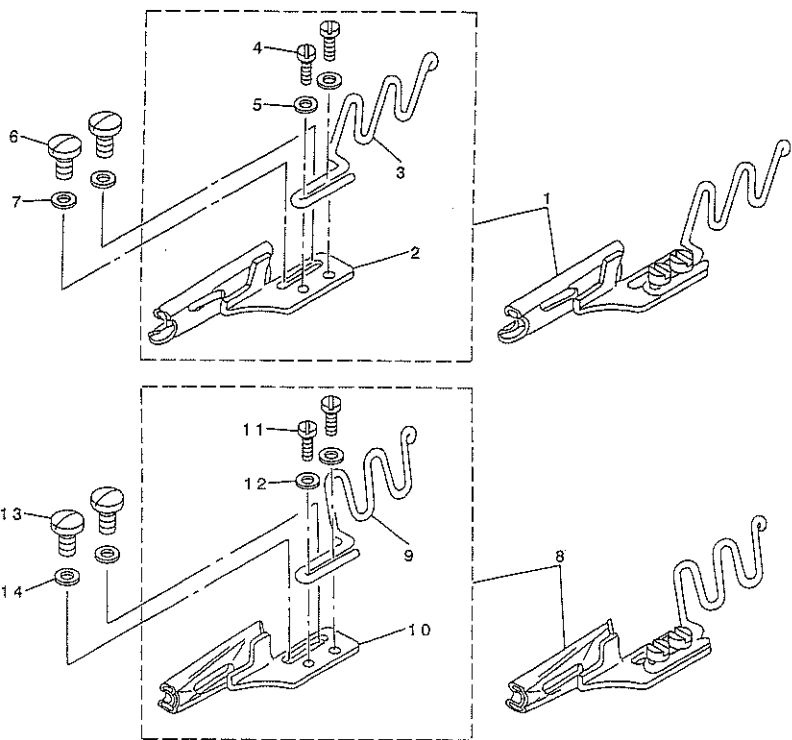
REF. NO	NOTE	PART NO.	DESCRIPTION
1		110-76650	BELT COVER ASM. (URBANE GREY)
2		110-76601	BELT COVER A
3		110-76700	BELT COVER A CAP
4		110-76858	BELT COVER B ASM.
5		110-76809	BELT COVER B
6		110-76957	BELT COVER B CAP ASM.
7		110-23504	BELT COVER SUPPORT, A
8		110-25202	BELT COVER A SCREW
9		SS-4121415-SP	SCREW 3/16-28 L=14
10		WP-0501016-SD	WASHER 5X10.5X1
11		SK-3412000-SC	WOOD SCREW D=4.1 L=20
12		WP-0450826-SC	WASHER 4.5X10X0.8
13		229-27354	BOBBIN WINDER COMPL.
14		229-28501	THREAD TENSION POST BASE
15		SS-4110515-SP	SCREW 11/64-40 L=5
16		229-28907	THREAD TENSION DISK
17		229-29004	THREAD TENSION SPRING
18		229-28808	NUT
19		SS-7110350-SP	SCREW 11/64-40 L=3.5
20		229-28402	CONTROL RUBBER HOLDING PLATE
21		229-28303	CONTROL RUBBER
22		229-28105	BOBBIN PRESSER
23		SD-0490261-SP	HINGE SCREW D=4.9 H=2.6
24		SS-7081310-SP	SCREW 1/8-44 L=12.5
25		229-27602	BOBBIN WINDER SPINDLE
26		SS-8110510-SP	SCREW 11/64-40 L=5
27		229-28709	THREAD TENSION POST
28		229-27305	BOBBIN WINDER BASE
29		229-27404	BOBBIN WINDER
30		WP-0450826-SC	WASHER 4.5X10X0.8
31		SK-3412000-SC	WOOD SCREW D=4.1 L=20

10. THREAD STAND COMPONENTS



REF. NO	NOTE	PART NO.	DESCRIPTION
1		229-30358	THREAD STAND ASM.
2		229-31109	SPOOL RETAINER
3		229-31000	SPOOL PIN
4		229-30903	SPOOL REST CUSHION
5		229-30804	SPOOL REST
6		SM-6061610-SC	SCREW M6 L=16
7		229-30705	THREAD GUIDE ARM JOINT
8		229-31406	SPOOL REST ROD RUBBER CAP
9		229-30507	SPOOL REST ARM
10		229-30408	SPOOL REST ROD, UPPER
11		229-31307	SPOOL REST ROD JOINT
12		SM-4051405-SE	SCREW M5 L=14
13		NM-6050001-SE	NUT M5
14		229-30309	SPOOL REST ROD, LOWER
15		229-31208	THREAD GUIDE

11. FOLDER COMPONENTS (EXCLUSIVE PARTS FOR DLM-5210N)



REF. NO	NOTE	PART NO.	DESCRIPTION
1		MAT-11801NAO	BINDER ASM.
2		MAN-011010AO	SINGLE FOLD BIAS FOLDER ASM.
3		MAT-11803NOA	TAPE GUIDE
4		SS-7090510-SP	SCREW 9/64-40 L= 4.6
5		WP-0450000-SD	WASHER 4.5X8X0.5
6		SS-7090710-SP	SCREW 9/64-40 L= 6.8
7		WP-0371026-SD	WASHER 3.7X7X1
8		MAT-11901NAO	BINDER ASM.
9		MAN-015010AO	DOUBLE FOLD BIAS FOLDER ASM.
10		MAT-11903NOA	TAPE GUIDE B
11		SS-7090510-SP	SCREW 9/64-40 L= 4.6
12		WP-0450000-SD	WASHER 4.5X8X0.5
13		SS-7090710-SP	SCREW 9/64-40 L= 6.8
14		WP-0371026-SD	WASHER 3.7X7X1

12. TABLE OF EXECHANGING GAUGES FOR DLM-5210N

Specifications of the sub-gauge	Gauge width	1	2	3	4	5	6	7		8
		Gauge	Throat plate	Throat plate chip guard	Hinging presser (asm)	Feed dog	Knife	Binder		
サブゲージ仕様	仕上り巾 (m/m)	ゲージ	針板	針板布屑カバー	自由押え (組)	送り	前メス	Semi-fold binder 三巻	Semi-fold binder 四巻	
A	5	B1190523000	11340304	B1191523000	B15245230A0	B1613523000	B4121523000	MAT11801NAO	MAT11901NAO	
B	6	B1190523B00	11340304	B1191523000	B1524523BA0	B1613523000	B4121523000	MAN0110F0A0	MAN0150F0A0	
C	7	B1190523C00	11340304	B1191523000	B1524523CA0	B1613523000	B4121523000	MAN0110G0A0	MAN0150G0A0	
E	9.5	B1190523E00	11340304	B1191523000	B1524523EA0	B1613523000	B4121523B00			MAN0150J0A0

* In case of use GAUGE No. MAN0150G0A0 (binder of clean finish top and bottom) assort with GAUGE No. B4121523B00. MAN0150G0A0 (四巻バインダー) 使用の場合 B4121523B00を使用

13. TABLE OF EXECHANGING GAUGES FOR DLM-5200N

Specifications of the sub-gauge	Gauge width	1	2	3	4	5	6	7	8	9	Type	Note
		Throat plate	Throat plate cover (asm) accessory	Gauge	Throat plate chip guard	Throat plate chip guard accessory	Chip guard	Hinging presser (asm)	Feed dog	Knife		
サブゲージ仕様	サブゲージ巾	針板	針板蓋(組) ※付部品	ゲージ	針板布屑カバー	針板布屑ガイド ※付部品	布屑ガイド	自由押え(組)	送り歯	メス	仕様	備考
CA	5/84" (2.0mm)	11346004	B11155310A0	B1190522Y9A	11346905	11347002	11346400	B1524522NB0A	B1613522N00A	B4145530C00	Spare parts type	Cut-after knife type
C	3/32" (2.4mm)	11346004	B11155310A0	B1190522X00	11346905	11347002	11346400	B1524522NB0A	B1613522N00A	B4121522000	Special type	
CB	3/32" (2.4mm)	11346004	B11155310A0	B1190522X0B	11346905	11347002	11346400	B1524522NB0A	B1613522N00C	B4121522000	Spare parts type	As compared with B1190522X00, the grooves of the feed dog are 3 rows instead of 2 rows. B1190522X00に別し、送り歯を2列→3列にしたもの
D	1/8" (3.2mm)	11346004	B11155310A0	B1190522S00	11346905	11347002	11346400	B1524522NB0A	B1613522N00A	B4121522000	Standard type	In case of the gauge of 6mm or more, this gauge is packed with the accessory (Limited to JA, JE, JH, TP.)
E	5/32" (4.0mm)	11346004	B11155310A0	B1190522Y00	11346905	11347002	11346400	B1524522NB0A	B1613522N00A	B4121522000	Special type	ゲージ 96mm以上の場合は別添品 (JA, JE, JH, TP.)
EA	5/32" (4.0mm)	11346004	B11155310A0	11362753	11346905	11347002	11346400	B1524522NB0A	B1613522N00A	B4121522000	Spare parts type	For pattern maker
EB	5/32" (4.0mm)	11346004	B11155310A0	B1190522Y0R	11346905	11347002	11346400	B1524522NB0A	B1613522N00D	B4121522000	Spare parts type	As compared with B1190522Y00, the grooves of the feed dog are 3 rows instead of 2 rows. B1190522Y00に別し、送り歯を2列→3列にしたもの
F	3/16" (4.8mm)	11346004	B11155300AF	B1190522T00	11346905	11347002	11346400	B1524522NB0A	B1613522N00A	B4121522000	Special type	
FA	3/16" (4.8mm)	11346004	B11155300AF	B1190522T0A	11346905	11347002	11346400	B1524522NB0A	B1613522N00A	B4121522A00	Spare parts type	Cut-before knife type
FB	3/16" (4.8mm)	11346004	B11155300AF	B1190522Y0C	11346905	11347002	11346400	B1524522NB0A	B1613522N00A	B4121522000	Spare parts type	As compared with B1190522Y00, the grooves of the feed dog are 3 rows instead of 2 rows. B1190522Y00に別し、送り歯を2列→3列にしたもの
FC	3/16" (4.8mm)	11346004	B11155300AF	B1190522T0D	11346905	11347002	11346400	B1524522NB0A	B1613522N00D	B4121522000	Special type	
G	27/128" (5.3mm)	11346004	B11155300AF	B1190522Y0F	11347101	11347200	11346400	B1524522NB0A	B1613522N00A	B4121522000	Spare parts type	
H	1/4" (6.4mm)	11346004	B11155300AF	B1190522U00	11347101	11347200	11346509	B1524522AB0	B1613522W00A	B4121522000	Special type	In case of the gauge of 6mm or more, this gauge is packed with the accessory (Limited to JA, JE, JH, TP.)
HA	1/4" (6.4mm)	11346004	B11155300AF	B1190522U0A	11347101	11347200	11346509	B1524522AB0	B1613522W0AA	B4121522000	Spare parts type	For preventing material from being caught by the 4-teeth feed dog
K	5/16" (7.9mm)	11346004	B11155300AF	B1190522Y0B	11347101	11347200	11346509	B1524522AB0	B1613522W00A	B4121522000	Spare parts type	
M	3/8" (9.5mm)	11346004	B11155300AM	B1190522V00	11347309	11347408	11346509	B1524522AB0	B1613522W00A	B4121522000	Special type	