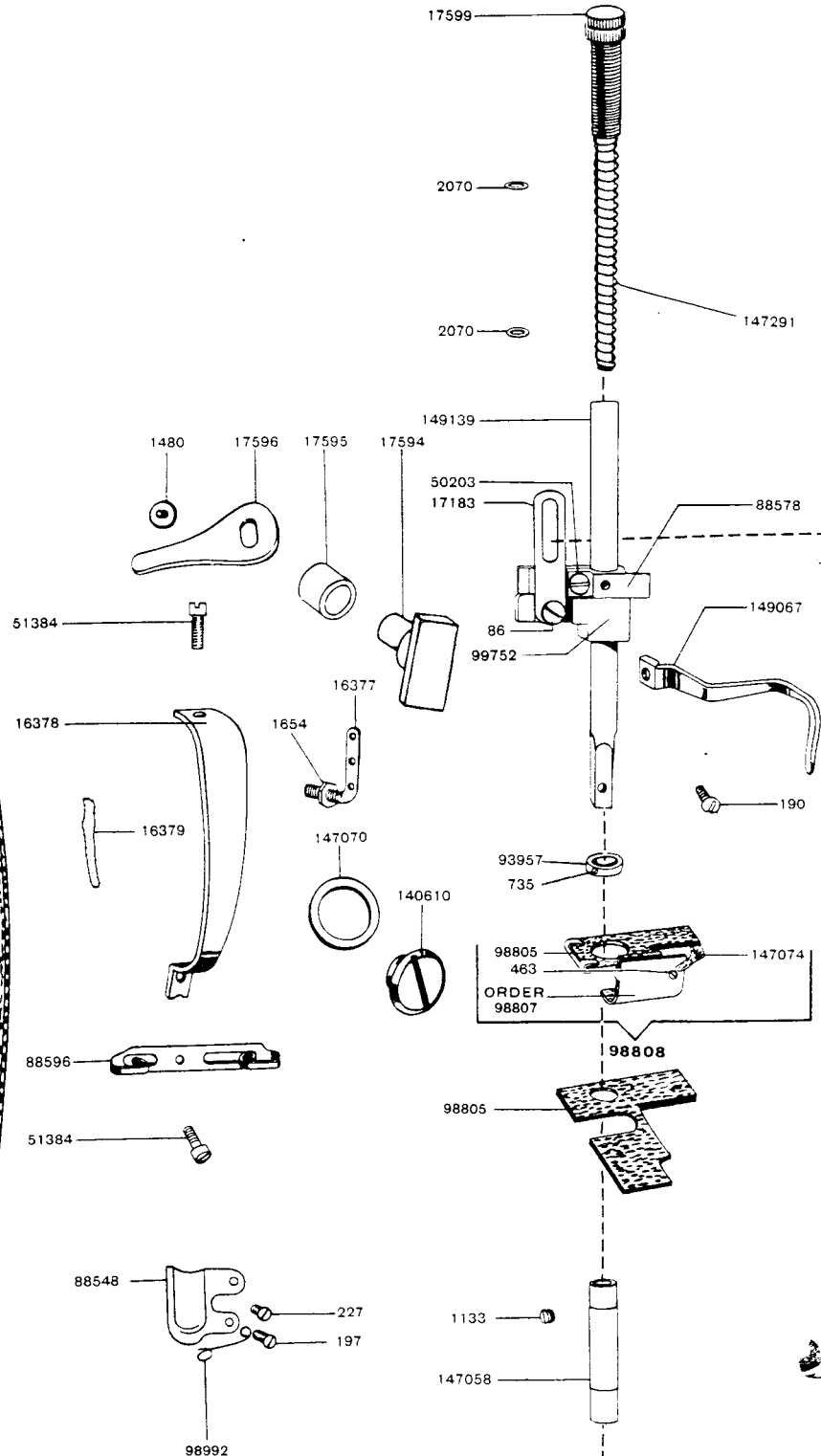
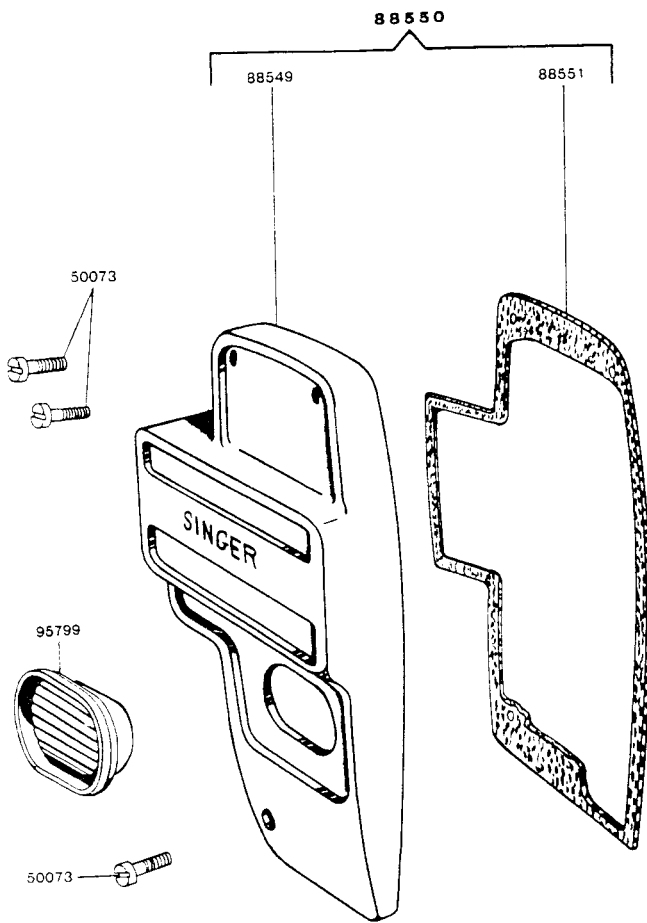
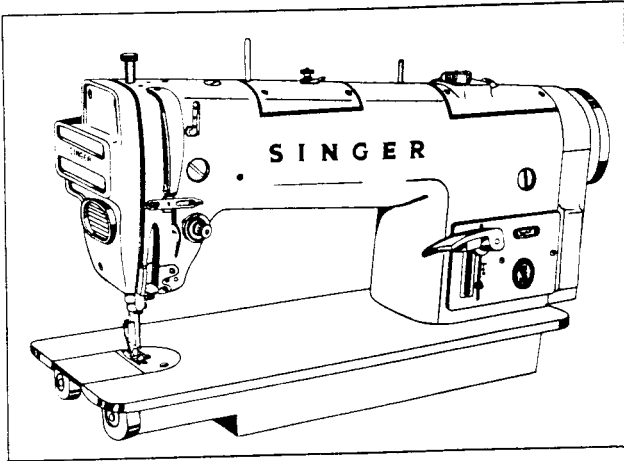


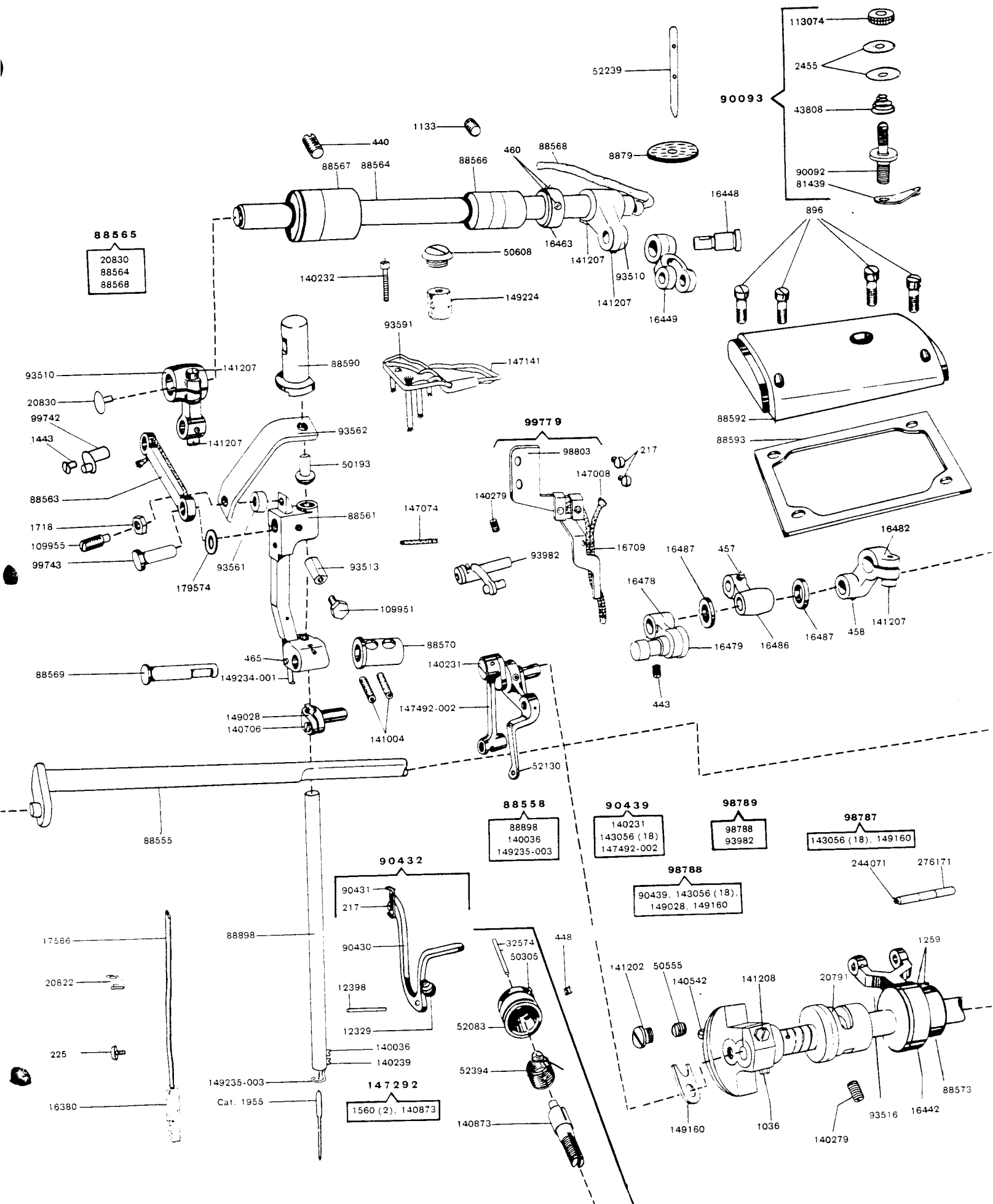
MACHINE PARTS CHART
for
SINGER*

366K125 and 366K126

SINGER

366K125 and 366K126





88565
 20830
 88564
 88568

90093
 113074
 2455
 43808
 90092
 81439
 896

88558
 88898
 140036
 149235-003

90439
 140231
 143056 (18)
 147492-002

98789
 98788
 93982

98787
 143056 (18), 149160

98788
 90439, 143056 (18),
 149028, 149160

90432
 90431
 217
 90430
 12398
 12329
 140036
 140239
 149235-003

147292
 1560 (2), 140873

149235-003
 Cat. 1955

17588
 20822
 225
 16380

244071
 276171

141202
 50555
 140542
 141208
 20791
 149160
 1036
 140279
 93516
 16442
 88573
 1259

32574
 50305
 448
 52083
 52394
 140873

93510
 20830
 99742
 1443
 88563
 1718
 109955
 99743
 179574
 93561
 93513
 109951
 465
 88569
 149234-001
 149028
 140706
 141004
 147074
 147141
 93591
 88590
 141207
 141207
 93562
 50193
 88561
 93513
 109951
 88570
 140231
 147492-002
 141004
 52130

99779
 98803
 147008
 217
 140279
 93982
 16709
 16487
 457
 16478
 16479
 16486
 16487
 458
 141207
 443

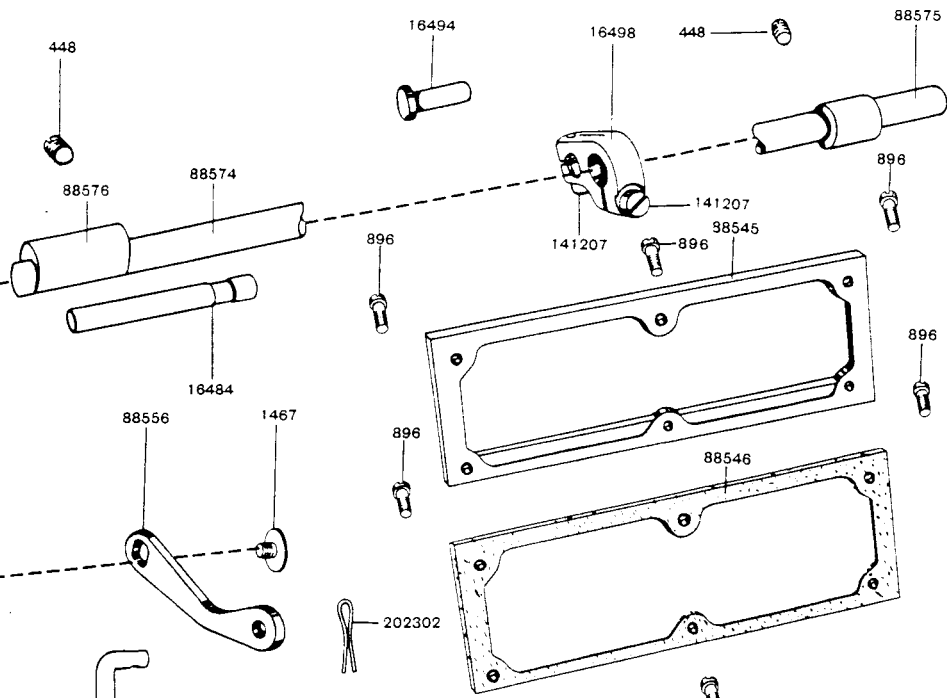
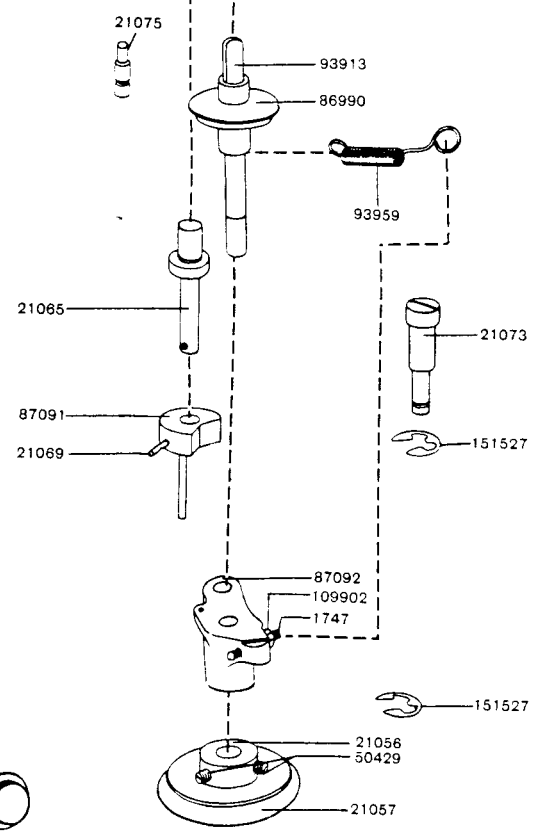
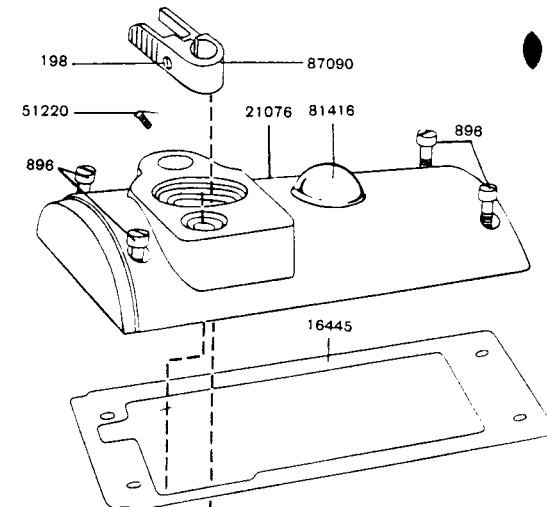
16448
 16449
 88592
 88593
 16482
 458

440
 88567
 88564
 88568
 460
 88568
 8879
 52239
 1133
 50608
 149224
 141207
 93510
 141207
 16463
 16449

99771
BOBBIN WINDER COMPLETE
(FOR AGENCIES ONLY)

8879, 21056, 21057, 21065,
 21069, 21073, 21075, 51220,
 52239, 86990, 87090,
 87091, 87092, 87289, 90093,
 93913, 93959, 151527 (2)

21077
 21056
 21057
 21065
 21069
 21073
 21075
 21076
 81416
 86990
 87090
 87091
 87092
 93913
 93959
 151527 (2)

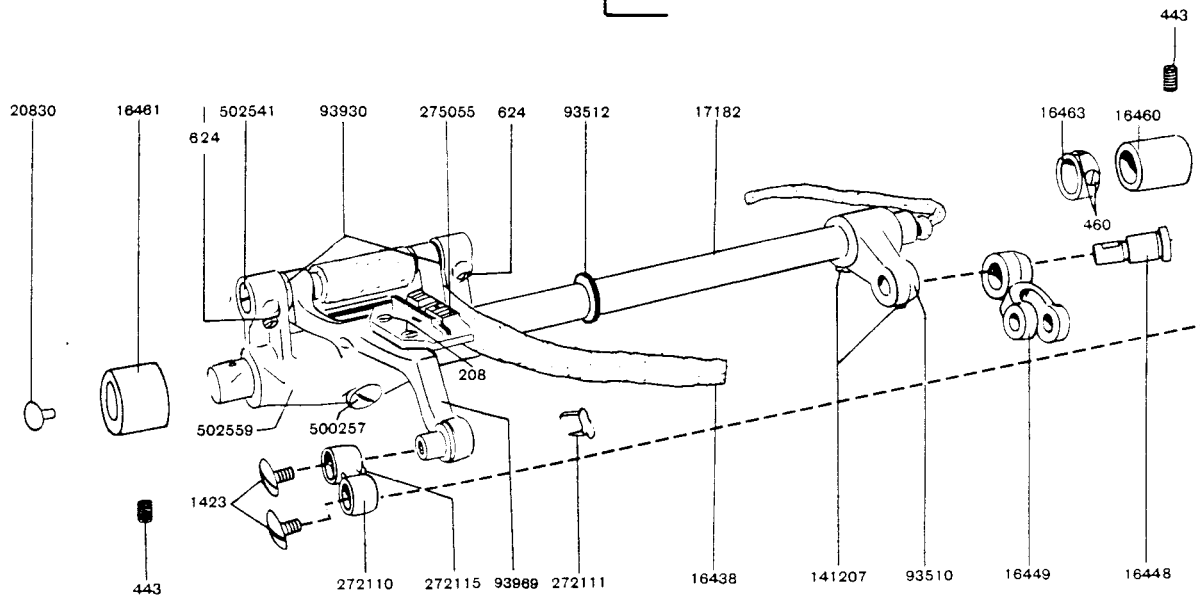
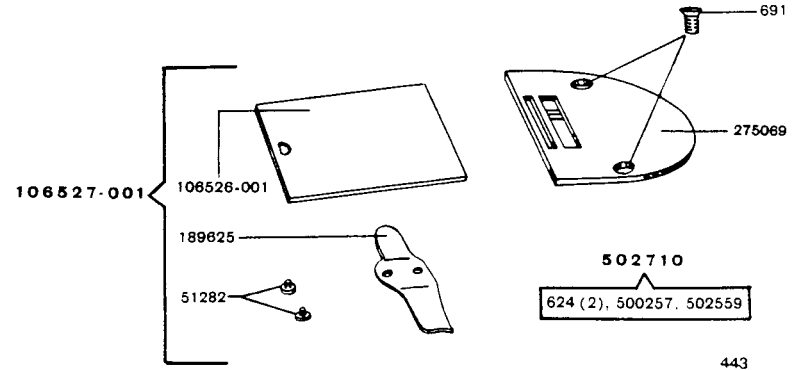
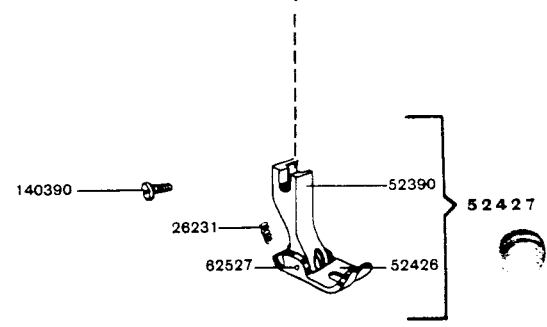


17590
 16407, 16411

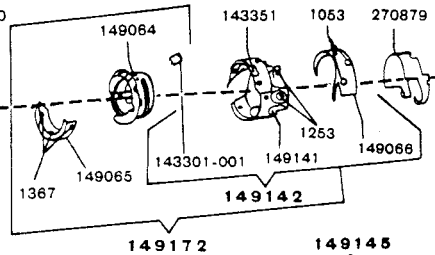
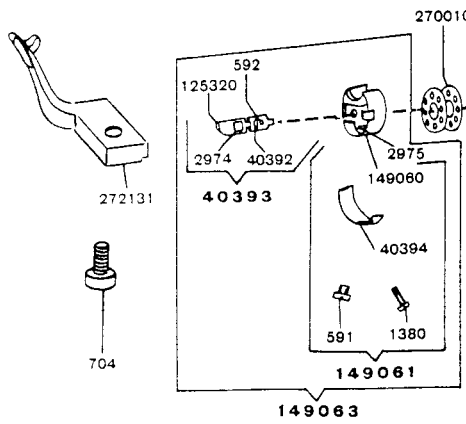
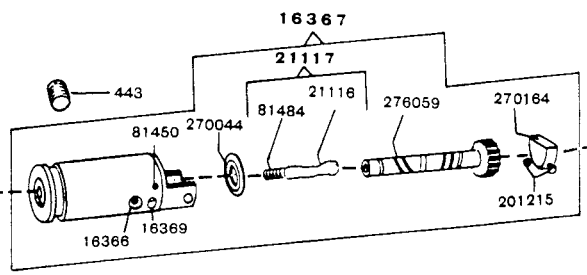
1436
 10
 15

FITTINGS

	FEED DOG	PRESSER FOOT	THROAT PLATE	APPLICATIONS
Type A	275055	52427	275069	(8 s.p.i., light and medium weight materials)
Type B	275054	52427	149225	(10 s.p.i., light weight materials)
Type C	149211	52427	275069	(8 s.p.i., light weight materials)



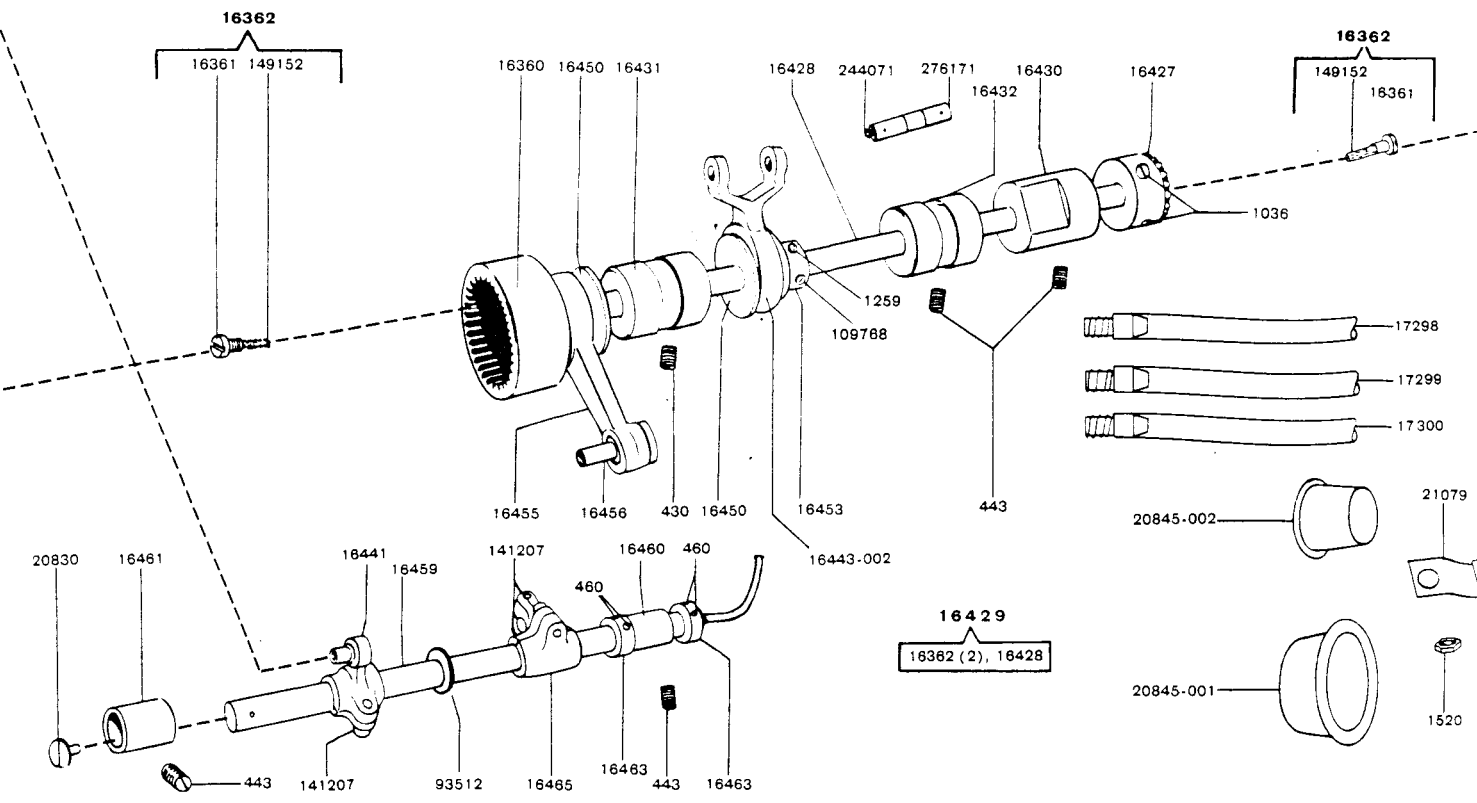
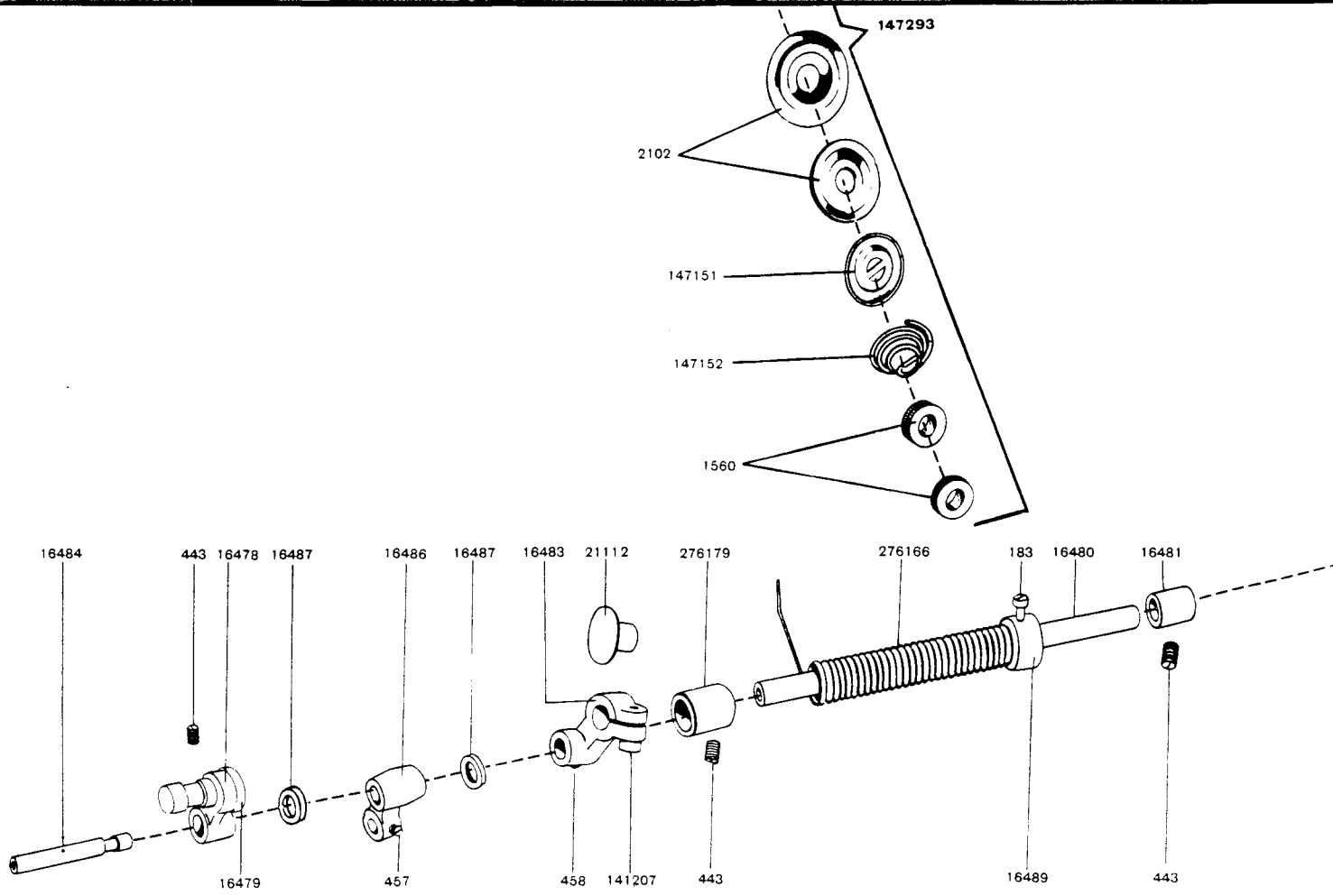
93970
1423 (2), 16438, 16441,
93930 (2), 272110, 93969
272111, 272115, 502541, 502710

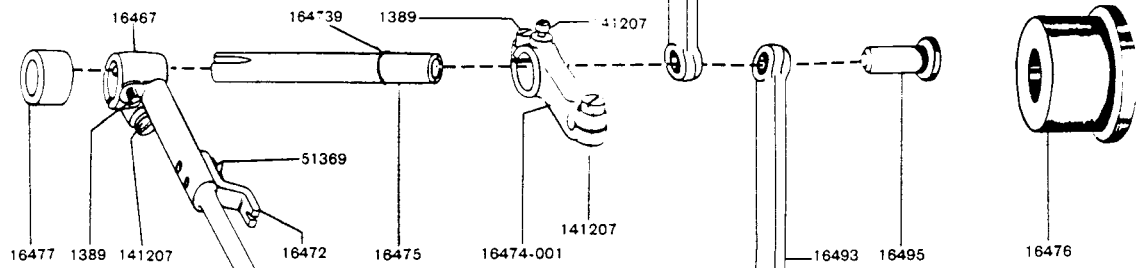


149145
1367 (3), 149065, 149142

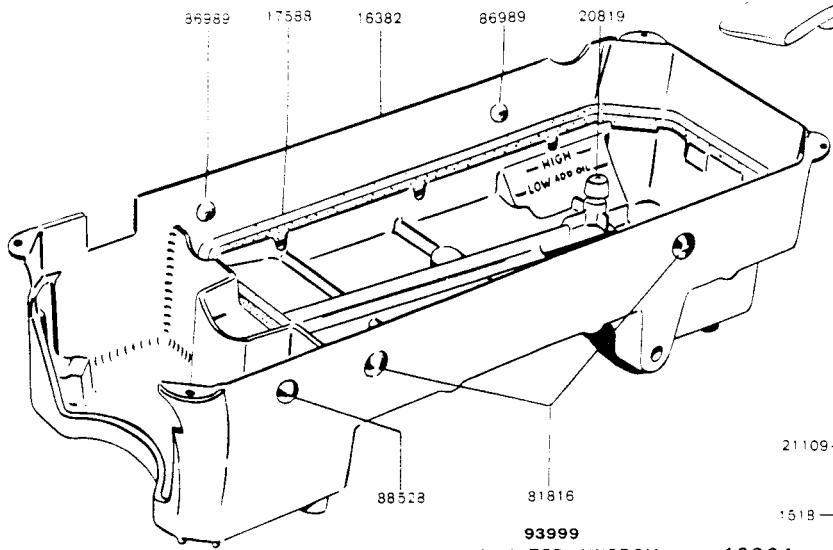
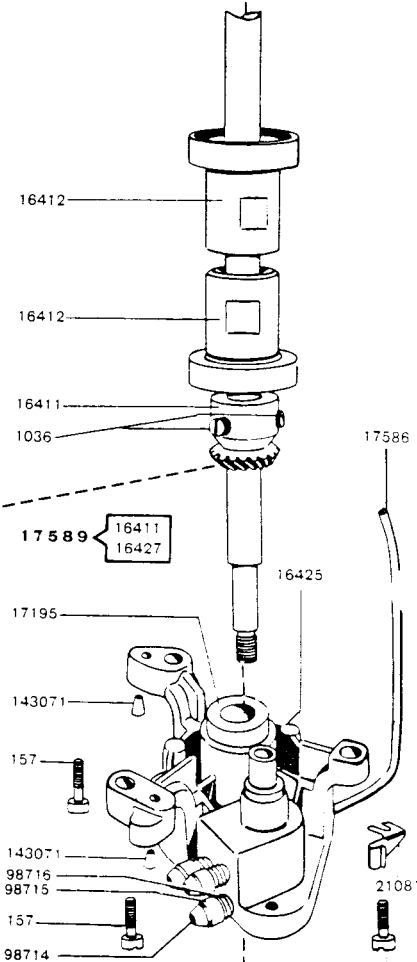
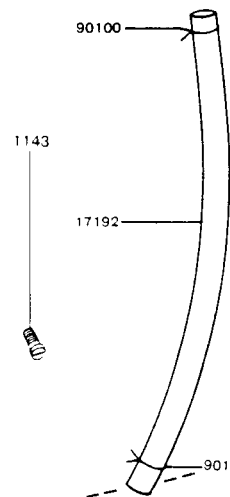
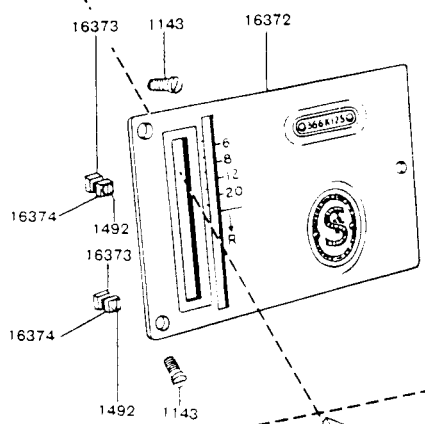
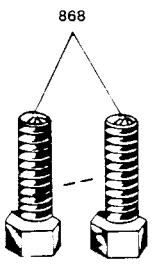
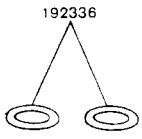
93218
21117, 149063,
149172

93220
21117, 149141





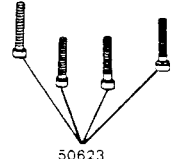
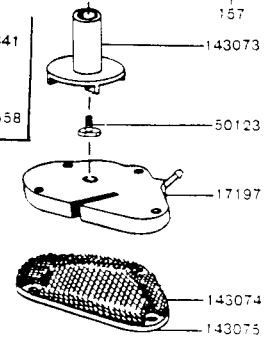
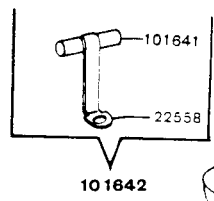
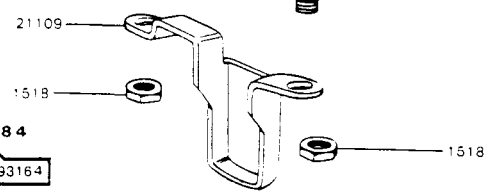
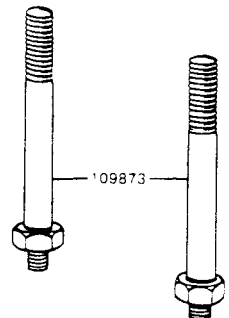
16488
 16467, 16469, 16470,
 16472, 51369 (2), 81805,
 81806, 81807, 81810

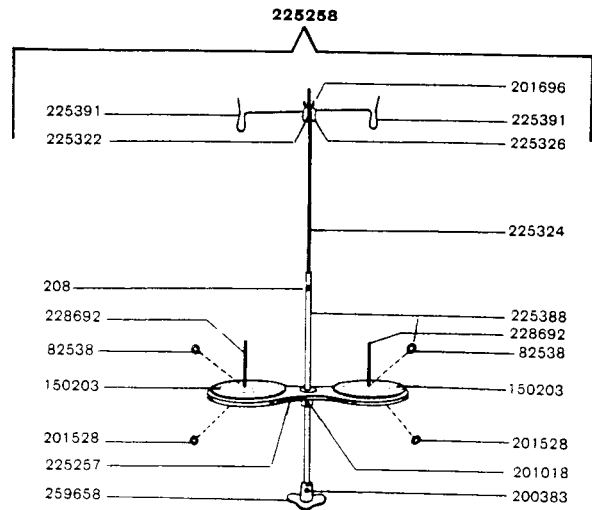
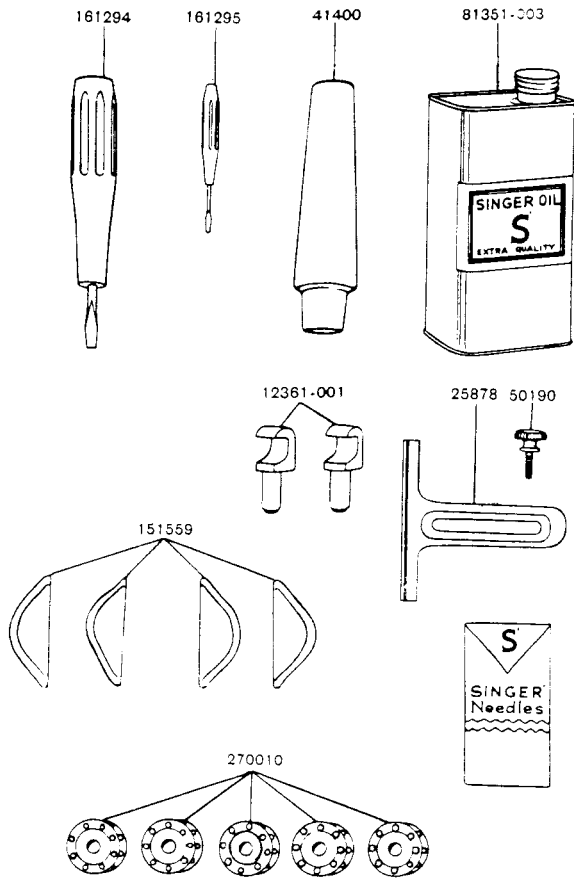


93164
 16382, 17588, 20819, 88528,
 81816 (2), 86989 (2)

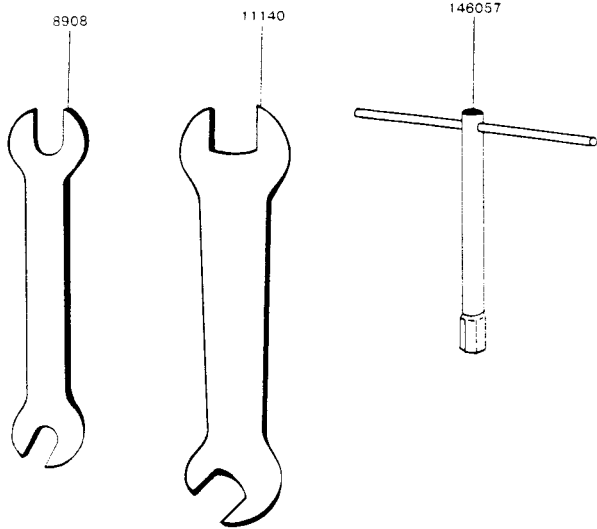
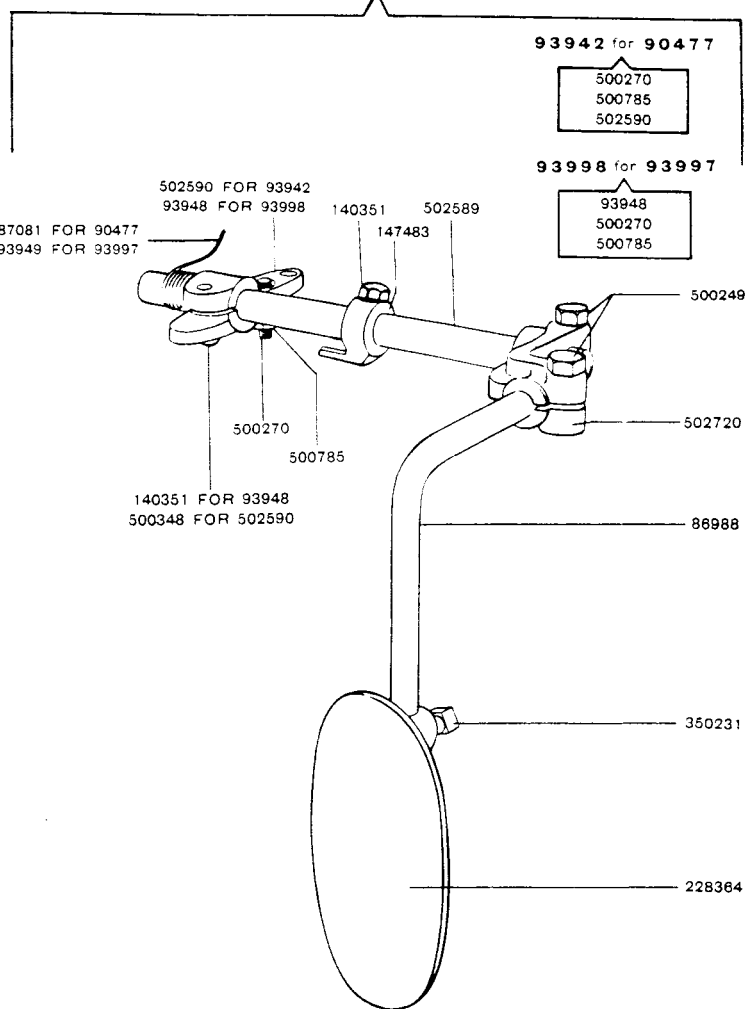
93999
 FOR UNITED KINGDOM
93164 93997

16384
90477 93164





90477 for all territories except United Kingdom
93997 for United Kingdom



MACHINE PARTS FOR 366K125 MACHINE

<u>Part No.</u>	<u>Description</u>	<u>Part No.</u>	<u>Description</u>
86(830)	Knee Lifter Lifting Link Hinge Screw	458(830)	Needle Feed and Needle Feed Reversing
157(805)	Oil Pump (centrifugal) Body Screw		Shaft Crank (front) Hinge Stud Set Screw
157(805)	Oil Pump (centrifugal) Body and Oil	460(830)	Feed Lifting Rock Shaft Collar Set Screw
	Return Tube Retaining Clamp Screw	460(830)	Feed Rock Shaft Collar Set Screw
183(806)	Feed Regulator and Feed Reversing	460(830)	Needle Bar Frame Crank Shaft Collar Set
	Shaft Spring Adjusting Collar Set		Screw
	Screw	463(830)	Needle Bar Frame Oil Retainer Oil Wick Pinch
190(805)	Slack Thread Regulator Screw		Screw
197(803)	Arm Thread Shield Screw (lower)	465(830)	Needle Bar Timing Indicator Set Screw
198(809)	Bobbin Winder Spindle Engaging Lever	591(806)	Rotating Hook Bobbin Case Tension Regulating
	Set Screw		Screw
207(805)	Arm Shaft (horizontal) Flanged	592(805)	Rotating Hook Bobbin Case Latch Stop Screw
	Bushing (back) Oil Sump Tube	624(813)	Feed Bar Hinge Pin (eccentric) Set Screw
	Holder Screw	691(806)	Throat Plate Screw
		704(809)	Rotating Hook Bobbin Case Holder Position
			Bracket Screw
208(830)	Feed Dog Screw	735(830)	Needle Bar Frame Oil Retainer Collar Set
217(813)	Arm Side Shield Screw		Screw
217(833)	Tension Releasing Lever (adjustable)	868(805)	Arm Screw (front)
	Screw	896(809)	Arm Side Cover (back) Screw
225(805)	Oil Return Tube (from needle head	896(809)	Arm Top Cover (back) Screw
	cavity to pump cover) Retaining	896(809)	Arm Top Cover (front) Screw
	Clamp (cavity end) Screw	1036(830)	Arm Shaft (upright) Bevel Gear (lower) Set
227(803)	Arm Thread Shield Screw (upper)		Screw
423(830)	Arm Shaft (horizontal) Bushing	1036(830)	Arm Shaft (upright) Bevel Gear (upper) Set
	(centre) Set Screw		Screw
430(830)	Rotating Hook Driving Shaft	1036(830)	Rotating Hook Driving Shaft Bevel Gear Set
	Bushing (front) Set Screw		Screw
440(830)	Needle Bar Frame Crank Shaft	1036(830)	Thread Take-up Crank Set Screw
	Bushing (front) Set Screw	1053(805)	Rotating Hook Thread Guard Screw
443(830)	Feed Lifting Rock Shaft Bushing	1125(830)	Rotating Hook Driving Shaft Gear and Feed
	(back) Set Screw		Lifting Eccentric Position Screw (not
443(830)	Feed Lifting Rock Shaft Bushing		illustrated)
	(front) Set Screw	1133(805)	Belt Cover Screw Hole Plug Screw
443(830)	Feed Regulator and Feed Reversing	1133(830)	Needle Bar Frame Adjusting Bracket Support
	Mechanism Support Stud Set Screw		Stud Set Screw
443(830)	Feed Regulator and Feed Reversing	1133(830)	Needle Bar Frame Crank Shaft Bushing (back)
	Shaft Bushing (back) Set Screw		Set Screw
443(830)	Feed Regulator and Feed Reversing	1133(830)	Presser Bar Bushing (lower) Set Screw
	Shaft Bushing (front) Set Screw	1143(809)	Stitch Indicator Plate Cover Screw
443(830)	Feed Rock Shaft Bushing (back)	1209(830)	Feed Eccentric Set Screw
	Set Screw	1253(830)	Rotating Hook Set Screw
443(830)	Feed Rock Shaft Bushing (front)	1259(830)	Needle Feed Driving Eccentric Set Screw
	Set Screw	1367(805)	Rotating Hook Section Screw
443(830)	Needle Feed Driving Mechanism	1380(805)	Rotating Hook Bobbin Case Tension Spring
	Support Link Hinge Stud Set Screw		Screw
443(830)	Rotating Hook Driving Shaft	1389(805)	Feed Regulator and Reversing Lever
	Bushing (back) Set Screw		Positioning Screw
443(830)	Rotating Hook Driving Shaft	1389(830)	Feed Regulator Lever and Feed Reversing Crank
	Bushing (intermediate) Set Screw		Positioning Screw
443(830)	Rotating Hook Shaft Bushing	1423(803)	Feed Bar Connecting Link Cap Screw
	Set Screw	1443(813)	Needle Bar Frame Crank Cap Screw
448(830)	Needle Feed and Needle Feed	1467(805)	Knee Lifter Rock Frame Shaft Connection
	Reversing Shaft Bushing (back) and (front)		(back) Cap Screw
	Set Screw	1480(830)	Presser Bar Lifting Stud Bushing Set Screw
448(830)	Thread Take-up Spring Regulator	1492(809)	Stitch Indicator Stop Plate (adjustable,
	Set Screw		back and front) Clamping Screw
457(830)	Arm Shaft (horizontal) Thrust	1518(809)	Bed Leg (back) Nut
	Collar Set Screw	1520	Oil Retaining Clamp Nut
457(830)	Feed Driving Connection Link		
	Hinge Pin Set Screw	1560(803)	Tension Regulating Thumb Nut
457(830)	Needle Feed Driving Connection	1560(803)	Tension Regulating Thumb Nut Lock Nut
	Link Hinge Pin Set Screw	1654	Thread Retainer Lock Nut
457(830)	Rotating Hook Driving Shaft	1718	Needle Bar Frame Adjusting Bracket Screw
	Gear and Feed Lifting Eccentric		Lock Nut
	Set Screw (not illustrated)	1747	Bobbin Winder Spindle Positioning Bracket
			Adjusting Screw Nut
458(830)	Feed Regulator and Feed Reversing	2070	Presser Bar Spring Washer
	Shaft Crank Hinge Stud Set Screw	2102	Tension Disc

MACHINE PARTS FOR 366K125 MACHINE

<u>Part No.</u>	<u>Description</u>	<u>Part No.</u>	<u>Description</u>
2455	Bobbin Winder Thread Tension Disc	16460	Feed Lifting Rock Shaft Bushing (back)
2974	Rotating Hook Bobbin Case Latch Lever	16460	Feed Rock Shaft Bushing (back)
	Fulcrum Pin	16461	Feed Lifting Rock Shaft Bushing (front)
2975	Rotating Hook Bobbin Case Latch Spring	16461	Feed Rock Shaft Bushing (front)
8879	Arm Spool Pin Washer (cloth)	16463	Feed Lifting Rock Shaft Collar with two 460(830)
12329	Tension Releasing Lever Spring		Feed Rock Shaft Collar with two 460(830)
12398	Tension Releasing Lever Hinge Pin	16463	Needle Bar Frame Crank Shaft Collar with two 460(830)
16360	Rotating Hook Driving Shaft Gear and Feed Lifting Eccentric (internal teeth) with 457(830) and 1125(830)	16463	Feed Lifting Rock Shaft Crank with two 141207(805)
16361	Rotating Hook Driving Shaft Oil Filter Wick Holder	16465	Feed Regulator and Reversing Lever with 1389(830) and 141207(805)
16362	Rotating Hook Driving Shaft Oil Filter Wick Holder 16361 with 149152	16466	Feed Regulator and Reversing Lever 16467 with 16469, 16470, 16472, 81805 to 81807, 81810 and two 51369(819)
16366	Rotating Hook Shaft Bushing	16467	Feed Regulator and Reversing Lever Handle Slide
16367	Rotating Hook Shaft Bushing complete, Nos. 16366, 16369, 21117, 81450, 270044, 270164, 276059 and two 201215(804)	16468	Feed Regulator and Reversing Lever Handle Thumb Nut
16369	Rotating Hook Shaft Oil Regulating Screw	16472	Stitch Indicator
16372	Stitch Indicator Plate and Cover	16474-001	Feed Regulator Lever and Feed Reversing Crank with 1389(805) and two 141207(805)
16373	Stitch Indicator Stop Plate (adjustable, back)	16475	Feed Regulator Lever and Feed Reversing Crank Hinge Pin
16374	Stitch Indicator Stop Plate (adjustable, front)	16476	Feed Regulator Lever and Feed Reversing Crank Hinge Pin Bushing (back)
16377	Thread Retainer	16477	Feed Regulator Lever and Feed Reversing Crank Hinge Pin Bushing (front)
16378	Thread Take-up Lever Guard	16478	Feed Regulator and Feed Reversing Mechanism Support Link
16379	Thread Take-up Lever Guard Oil Return Felt	16478	Needle Feed Driving Mechanism Support Link
16380	Oil Return Tube Lint Screen and Needle Bar and Presser Bar Bushing Wick	16479	Feed Regulator and Feed Reversing Mechanism Support Stud
16407	Arm Shaft (horizontal) Bevel Gear (right hand, spiral) with 109952(830) and 140333(830)	16479	Needle Feed Driving Mechanism Support Link Hinge Stud
16408	Arm Shaft (upright)	16480	Feed Regulator and Feed Reversing Shaft
16411	Arm Shaft (upright) Bevel Gear (lower, right hand spiral) with two 1036(830)	16481	Feed Regulator and Feed Reversing Shaft Bushing (back)
16411	Arm Shaft (upright) Bevel Gear (upper, right hand spiral) with two 1036(830)	16482	Needle Feed and Needle Feed Reversing Shaft Crank (front) with 458(830) and 141207(805)
16412	Arm Shaft (upright) Bushing (lower)	16483	Feed Regulator and Feed Reversing Shaft Crank (front) with 458(830) and 141207(805)
16412	Arm Shaft (upright) Bushing (upper)	16484	Feed Regulator and Feed Reversing Shaft Crank Hinge Stud
16416	Belt Cover (bottom half) Rest Pad	16484	Needle Feed and Needle Feed Reversing Shaft Crank (front) Hinge Stud
16423	Arm Shaft (horizontal) Flanged Bushing (back)	16486	Feed Regulator and Feed Reversing Shaft Crank Link with 457(830)
16425	Oil Pump (centrifugal) Body	16486	Needle Feed Driving Connection Crank Link with 457(805)
16427	Rotating Hook Driving Shaft Bevel Gear	16487	Feed Regulator and Feed Reversing Shaft Crank Link Wearing Disc
16428	Rotating Hook Driving Shaft	16487	Needle Feed Driving Connection Crank Link Wearing Disc
16429	Rotating Hook Driving Shaft 16428 with two 16362	16489	Feed Regulator and Feed Reversing Shaft Spring Adjusting Collar with two 183(806)
16430	Rotating Hook Driving Shaft Bushing (back)	16493	Feed Reversing Lever Connection
16431	Rotating Hook Driving Shaft Bushing (front)	16493	Needle Feed and Needle Feed Reversing Connection
16432	Rotating Hook Driving Shaft Bushing (intermediate)	16494	Feed Reversing Lever Connection Hinge Stud
16438	Feed Bar Hinge Pin (eccentric) Lubricating Felt	16495	Feed Reversing Lever, Needle Feed and Needle Feed Reversing Lever Connection Hinge Stud
16441	Feed Bar Lifting Crank with 141207(805)	16498	Feed Reversing Lever Crank (lower) with two 141207(805)
16442	Needle Feed Driving Connection	16498	Needle Feed and Needle Feed Reversing Shaft Crank (back) with two 141207(805)
16443-002	Feed Driving Connection	16709	Arm Side Shield Wick Spring Holder
16445	Arm Top Cover (back) Gasket		
16448	Feed Driving Connection Crank Hinge Stud		
16448	Needle Bar Frame Crank (back) Hinge Stud		
16449	Feed Driving Connection Link		
16449	Needle Feed Driving Connection Link		
16450	Feed Driving Connection Sleeve Bearing Wearing Disc		
16450	Feed Lifting Connection Sleeve Bearing Wearing Disc		
16453	Feed Eccentric with 1209(830) and 109768(830)		
16455	Feed Lifting Connection		
16456	Feed Lifting Connection Hinge Stud		
16459	Feed Lifting Rock Shaft with 20830		

MACHINE PARTS FOR 366K125 MACHINE

<u>Part No.</u>	<u>Description</u>	<u>Part No.</u>	<u>Description</u>
17182	Feed Rock Shaft	32574	Tension Releasing Pin
17183	Knee Lifter Lifting Link	40392	Rotating Hook Bobbin Case Latch
17184	Knee Lifter Lifting Rod	40393	Rotating Hook Bobbin Case Latch Hinge
17191	Machine Pulley, 3.5in. rim diameter 'V' Belt groove 2.9in. diam. with two 51283(830)	40394	Nos. 2974, 40392 and 125320
17192	Oil Tube (from Oil Pump to Arm Shaft (horizontal) Bushing) (centre)	43808	Rotating Hook Bobbin Case Tension Spring
17195	Oil Tube Insert for (Arm Shaft (horizontal) Bushing) (centre)	50073(809)	Bobbin Winder Thread Tension Spring
17298	Oil Tube (for oiling Rotating Hook Shaft Bearings)	50123(805)	Face Plate Screw
17299	Oil Tube (for oiling Rotating Hook Drive Shaft Bushing) (front)	50177(805)	Oil Pump (centrifugal) Impeller Locking Screw
17300	Oil Tube (for oiling Rotating Hook Drive Shaft Bushing) (intermediate)	50193(805)	Arm Screw (front)
17586	Oil Return Tube (from needle head cavity to pump cover)	50193(803)	Belt Cover (bottom and top half) Fixing Screw
17589	Pair of Gears for Lower Shaft, Nos. 16411 and 16427 (for agents only)	50203(830)	Needle Bar Frame Adjusting Bracket Support Stud Screw
17590	Pair of Gears for Upper Shaft, Nos. 16411 and 16407 (for agents only)	50305(803)	Presser Bar Guide Bracket Clamping Screw
17594	Presser Bar Lifting Stud	50429(805)	Tension Stud Set Screw
17595	Presser Bar Lifting Stud Bushing	50555(805)	Bobbin Winder Pulley Set Screw
17596	Presser Bar Lifting Stud Lifting Lever	50608(809)	Arm Shaft (horizontal) Plug Screw
17599	Pressure Regulating Thumb Screw and Presser Bar Guide	50623(805)	Arm Hole Plug Screw (top of Arm)
20789	Arm Shaft (horizontal) Bushing (centre)	51220	Oil Pump (centrifugal) Screen Frame Screw
20791	Arm Shaft (horizontal) Flanged Bushing (front)	51282(809)	Bobbin Winder Spindle Positioning Bracket Stud Set Screw
20822	Oil Return Tube (from needle head cavity to pump cover) Retaining Clamp (cavity end)	51283(830)	Bed Slide Spring Screw
20830	Feed Lifting Rock Shaft Oil Wick Clamping Plug	51369(809)	Machine Pulley Set Screw
20830	Feed Rock Shaft Oil Wick Clamping Plug	51384(809)	Stitch Indicator Screw
20830	Needle Bar Frame Crank Shaft Oil Wick Clamping Plug	51384(809)	Thread Take-up Lever Guard and Thread Eyelet and Thread Guard Screw (front of Arm)
20845-001	Bed Hole Plug (right, centre)	52239	Thread Take-up Lever Guard Screw (upper)
20845-002	Bed Hole Plug (right, front)	52390	Thread Take-up Spring Regulator with 50305(803)
21056	Bobbin Winder Pulley with two 50429(805)	52394	Thread Take-up Lever Thread Eyelet Bushing
21057	Bobbin Winder Pulley Friction Ring	52426	Arm Spool Pin and Thread Eyelet
21065	Bobbin Winder Spindle Engaging Lever Stud	52427	Presser Foot Shank
21069	Bobbin Winder Spindle Engaging Lever Stud Cam Pin (spiral)	62527	Thread Take-up Spring
21073	Bobbin Winder Spindle Positioning Bracket Stud	81416	Presser Foot Plate
21075	Bobbin Winder Spindle Positioning Bracket Tension Spring Stud	81439	Presser Foot (spring hinged) complete Nos. 26231, 52390, 52426 and 62527
21076	Arm Top Cover	81450	Presser Foot Hinge Pin
21077	Arm Top Cover complete Nos. 21056, 21057, 21065, 21069, 21073, 21075, 21076(728), 81416, 86990, 87090, 87091, 87092, 93913, 93959 and two 151527	81484	Arm Top Cover (back) Oil Sight Dome
21079	Oil Tube (for oiling Rotating Hook and Hook Shaft Bearings) Retaining Clamp	81801	Bobbin Winder Thread Tension Thread Guide
21081	Oil Return Tube (from needle head cavity to pump cover) Retaining Clamp (pump end)	81803	Rotating Hook Shaft Oil Regulating Screw Lock
21109	Bed Leg (back)	81805	Rotating Hook Shaft Oil Filter Wick Holder
21112	Feed Bar Hinge Pin (eccentric) Lubricat- ing Felt Retaining Plug	81806	Arm Shaft (horizontal) Flanged Bushing (back) Oil Sump Tube
21116	Rotating Hook Shaft Oil Filter Wick	81807	Belt Cover (bottom half) Locating Pad (small)
21117	Rotating Hook Shaft Oil Filter Wick Holder complete, Nos. 21116 and 81484	81810	Feed Regulator and Reversing Lever Handle
22558	Magnet Retaining Clamp	86987	Feed Regulator and Reversing Lever Spring
26231	Presser Foot Spring	86990	Feed Regulator and Reversing Lever Handle Spring Ball Bearing
		86991	Feed Regulator and Reversing Lever Handle Retaining Pin
		86992	Belt Cover complete Nos. 81803, 87087(728) 87088(728) two 50193(809) and three 16416
		87087	Bobbin Winder Spindle Oil Sling Washer (felt)
		87088	Knee Lifter Lifting Rod Washer (felt)
		87090	Knee Lifter Lifting Rod Washer (steel)
		87091	Belt Cover (bottom half)
		87092	Belt Cover (top half)
		87268	Bobbin Winder Spindle Engaging Lever with 198(819)
			Bobbin Winder Spindle Engaging Lever Stud Cam
			Bobbin Winder Spindle Positioning Bracket with 1747 and 109902
			Bobbin Winder Pulley Friction Ring Driving Hub Securing Ring for 87269

MACHINE PARTS FOR 366K125 MACHINE

<u>Part No.</u>	<u>Description</u>	<u>Part No.</u>	<u>Description</u>
87269	Bobbin Winder Pulley Friction Ring	93562	Needle Bar Frame Adjusting Bracket
	Driving Hub (two pieces) with 87268	93591	Oil Wick Holder with two 147141
	(for agents only)	93913	Bobbin Winder Spindle
88545	Arm Side Cover (back)	93930	Feed Bar Hinge Pin (eccentric) Thrust Washer
88546	Arm Side Cover (back) Gasket		Knee Lifter Lifting Rod Spring
88548	Arm Thread Shield	93944	Needle Bar Frame Oil Retainer Collar with 735(830)
88549	Face Plate	93957	Bobbin Winder Spindle Positioning Bracket
88550	Face Plate 88549 with 95799		Tension Spring
88551	Face Plate Gasket	93959	Feed Bar
88555	Knee Lifter Rock Frame Shaft		Feed Bar 93969 with 16438, 16441, 272110, 272111, 272115, 502541, 502710, two each 1423(830) and 93930
88556	Knee Lifter Rock Frame Shaft Connection (back)	93969	Thread Take-up Lever Link Hinge Stud with 147074
		93970	Arm Hole (back) Plug Screw Washer (for access to Knee Lifter Hinge Screw)
88558	Needle Bar (hollow) complete, 88898 with 140036(803) and 149235-003		Arm Hole (back) Plug Screw Washer (for access to Needle Feed and Reversing Shaft)
88561	Needle Bar Frame with 465(830)	93982	Oil Return Tube Guide Spring (not illustrated)
88562	Needle Bar Frame Setting Bar (gauge) (not illustrated)		Oil Tube Insert
		93996	Oil Tube Insert Collar
88563	Needle Bar Frame Connecting Link		Oil Tube Insert Spring
88564	Needle Bar Frame Crank Shaft	93996	Face Plate Plug
88565	Needle Bar Frame Crank Shaft 88564 with 20830 and 88568		Oil Return Tube Arm Hole Plug (not illustrated)
88566	Needle Bar Frame Crank Shaft Bushing (back)	95788	Thread Take-up Crank with Thread Take-up Lever, with 149160 and eighteen 143056 (for agents only)
		98714	Thread Take-up Crank with Thread Take-up Lever, complete, Nos. 90439, 149028, 149160 and eighteen 143056
88567	Needle Bar Frame Crank Shaft Bushing (front)	98715	Thread Take-up Crank with Thread Take-up Lever complete, Nos. 93982 and 98788 (for agents only)
		98716	Arm Side Shield
88568	Needle Bar Frame Crank Shaft Oil Wick	98716	Needle Bar Frame Oil Retainer Felt Pad (upper)
88569	Needle Bar Frame Hinge Stud	95799	Needle Bar Frame Oil Retainer Felt Pad (lower)
88570	Needle Bar Frame Hinge Stud Bushing	98771	Needle Bar Frame Oil Retainer with 98805
88573	Needle Feed Driving Eccentric with two 1259(830)		Needle Bar Frame Oil Retainer 98807 with 147074
88574	Needle Feed and Needle Feed Reversing Shaft	98787	Thread Retainer (lower) Eyelet
			Needle Bar Frame Link Crank with 1443(813)
88575	Needle Feed and Needle Feed Reversing Shaft Bushing (back)	98788	Needle Feed and Needle Feed Reversing Connection Hinge Stud
88576	Needle Feed and Needle Feed Reversing Shaft Bushing (front)		Presser Bar Lifting Bracket
		98789	Bobbin Winder complete, Nos. 8879, 21056, 21057, 21065, 21069, 21073, 21075, 51220, 52239, 86990, 87090, 87091, 87092, 87269, 90093, 93913, 93959 and two 151527
88578	Presser Bar Guide Bracket with 50203(830)		Arm Side Cover complete, Nos. 16709, 98803 and 147008
88590	Needle Bar Frame Adjusting Bracket Support Stud	98803	Magnet
		98805	Magnet 101641 with 22558(813)
88592	Arm Top Cover (front)		Bed Slide
88593	Arm Top Cover (front) Gasket	98805	Bed Slide, complete, Nos. 106526-001, 189625 and two 51282(819)
88596	Thread Eyelet and Thread Guard (front of Arm)	98807	Feed Eccentric Positioning Screw
		98808	Arm and Bed Leg (back) Screw
88598	Needle Bar Frame 88561 with 98995 (not illustrated)		Bobbin Winder Spindle Positioning Bracket Adjusting Screw
88898	Needle Bar	98992	Needle Bar Frame Connecting Link Hinge Stud Wedge Screw
90092	Bobbin Winder Thread Tension Stud	99742	Needle Shaft (hor.) Bevel Gear Positioning and Bobbin Winder Friction Ring Driving Hub Screw
90093	Bobbin Winder Thread Tension complete, Nos. 1562(819), 43808, 90092(819) and two 2455	99743	Needle Bar Frame Adjusting Bracket Screw
			Rotating Hook Bobbin Case Latch Lever
90100	Oil Tube Retainer Clip (upright)	99752	Needle Bar Thread Guard Screw
90430	Tension Releasing Lever Body	99771	Needle Bar Connecting Link Cap Screw
90431	Tension Releasing Lever Segment		
90432	Tension Releasing Lever Body 90430 with 217(833) and 90431	101641	
90439	Thread Take-up Crank with 140231(803) 147492-002 and eighteen 143056	101642	
93218	Rotating Hook (air cooled) 149172 with 21117 and 149063 (for agents only)	106526-001	
93220	Rotating Hook (air cooled) 149141 with 21117 (for agents only)	106527-001	
93510	Needle Bar Frame Crank (back) with two 141207(805)	109768(830)	
93510	Needle Bar Frame Crank (front) with two 141207(805)	109873(805)	
93512	Feed Lifting Rock Shaft Oil Seal	109902	
93512	Feed Rock Shaft Oil Seal	109951(830)	
93513	Needle Bar Frame Connecting Link Hinge Stud Wedge		
		109952(830)	
93516	Arm Shaft (horizontal) with Needle Bar Crank, with 1036(830) and 140542(830)	109955(830)	
		125320	
93561	Needle Bar Frame Adjusting Bracket Screw Wearing Button	140036(803)	
		140231(803)	

MACHINE PARTS FOR 366K125 MACHINE

<u>Part No.</u>	<u>Description</u>	<u>Part No.</u>	<u>Description</u>
140232(813)	Oil Wick Holder Screw	147070	Thread Take-up Crank Clamping Screw Hole Plug Screw Gasket
140239(830)	Needle Set Screw	147074	Needle Bar Frame Oil Retainer Oil Wick
140279(830)	Arm Shaft (horizontal) Flanged Bushing (front) Set Screw	147074	Thread Take-up Lever Link Hinge Stud Oil Wick
140279(830)	Thread Take-up Lever Link Hinge Stud Set Screw	147141	Oil Wick, 11ins. long
140304(809)	Arm Hole (back) Plug Screw (for access to Knee Lifter Hinge Screw)	147151	Tension Releasing Disc
140304(809)	Arm Hole (back) Plug Screw (for access to Needle Feed and Reversing Shaft)	147152	Tension Spring
140331(830)	Arm Shaft (horizontal) Flanged Bushing (back) Set Screw	147291	Presser Bar Spring
140333(830)	Arm Shaft (horizontal) Bevel Gear Positioning Screw	147292	Tension Stud 140873(803) with two 1560(803) (for agents only)
140390(830)	Presser Foot Screw	147293	Tension complete Nos. 32574, 52083, 52394, 147151, 147152, 147292 and two 2102 (for agents only)
140542(830)	Needle Bar Crank Position Screw	147468	Arm Shaft (horizontal) Thrust Collar with two 457(830)
140610(809)	Arm Hole Plug Screw (for access to Arm Shaft (upright) Bevel Gear (upper))	147492-002	Needle Bar Connecting Link
140610(809)	Knee Lifter and Reversing Rod Access Hole Plug Screw	149028	Needle Bar Connecting Stud with 140706(803)
140706(803)	Needle Bar Connecting Stud Clamping Screw	149060	Rotating Hook Bobbin Case
140836(804)	Arm Shaft (horizontal) Screw (back)	149061	Rotating Hook Bobbin Case 149060 with 591(806) 1380(805) and 40394
140873(803)	Tension Stud	149063	Rotating Hook Bobbin Case complete, Nos. 592(805), 2975, 40393 and 149061
141004(869)	Needle Bar Frame Hinge Stud Set Screw	149064	Rotating Hook Bobbin Case Holder
141202(805)	Arm Shaft (horizontal) Screw Plug (front)	149065	Rotating Hook Section
141206(810)	Belt Cover Screw	149066	Rotating Hook Thread Guard
141207(805)	Feed Bar Lifting Crank Pinch Screw	149067	Slack Thread Regulator
141207(805)	Feed Driving Connection Crank Pinch Screw	149139	Presser Bar (hollow)
141207(805)	Feed Lifting Connection Hinge Stud Pinch Screw	149141	Rotating Hook (air cooled) with 143301-001, and two 1253(830)
141207(805)	Feed Lifting Rock Shaft Crank Pinch Screw	149142	Rotating Hook (air cooled) 149141 with 143351, 149066 and four 1053(805)
141207(805)	Feed Regulator and Reversing Lever Pinch Screw	149145	Rotating Hook (air cooled) 149142 with 149065 and three 1367(805) (for agents only)
141207(805)	Feed Regulator and Feed Reversing Shaft Crank (front) Pinch Screw	149152	Rotating Hook Driving Shaft Oil Filter Wick
141207(805)	Feed Reversing Lever Connection Hinge Stud Pinch Screw	149160	Thread Take-up Crank Wearing Plate
141207(805)	Feed Reversing Lever Needle Feed and Needle Feed Reversing Lever Connection Hinge Stud Pinch Screw	149172	Rotating Hook (air cooled) 149142 with 149064, 149065 and three 1367(805)
141207(805)	Feed Reversing Lever Crank (lower) Pinch Screw	149224	Oil Wick Holder Plug (felt)
141207(805)	Needle Bar Frame Crank (back) Pinch Screw	149234-001	Needle Bar Timing Indicator
141207(805)	Needle Bar Frame Crank (front) Pinch Screw	149235-003	Needle Bar Thread Guard
141207(805)	Needle Feed and Needle Feed Reversing Connection Hinge Stud Pinch Screw	151527	Bobbin Winder Spindle Positioning Bracket
141207(805)	Needle Feed and Needle Feed Reversing Shaft Crank (front) Pinch Screw	151527	Retaining Ring
141208(830)	Thread Take-up Crank Clamping Screw	164739	Bobbin Winder Spindle Retaining Ring
143056	Needle Bar Connecting Link Roller Bearing (not illustrated)	179574	Feed Regulator and Feed Reversing Crank Hinge Pin Oil Ring
143056	Thread Take-up Lever Roller Bearing for 88581 and 88582 (not illustrated)	192336	Needle Feed and Needle Feed Reversing Shaft Crank Hinge Stud Washer
143071	Oil Pump (centrifugal) Body Position Pin	189625	Arm Screw (front) Washer
143073	Oil Pump (centrifugal) Impeller	200113(806)	Bed Slide Spring
143074	Oil Pump (centrifugal) Screen	201215(804)	Knee Lifter Lifting Rod Spring Collar Set Screw
143075	Oil Pump (centrifugal) Screen Frame	202302	Rotating Hook Shaft End Bearing Screw
143301-001	Rotating Hook Oil Wick (felt)	227227	Knee Lifter Lifting Rod Cotter Pin
143351	Rotating Hook Wiper	244071	Knee Lifter Lifting Rod Spring Collar with 200113(806)
147008	Arm Side Shield Wick	244071	Feed Driving Connection Link Hinge Pin
147058	Presser Bar Bushing (lower)	270010	Oil Packing
147070	Arm Hole Plug Screw Washer (for use with 140610(819))	270044	Needle Feed Driving Connection Link Hinge Pin Oil Packing
147070	Knee Lifter and Reversing Rod Access Hole Plug Screw Gasket	270164	Rotating Hook Bobbin
		270879	Rotating Hook Shaft Thrust Washer
		270880	Rotating Hook Shaft End Bearing
		272110	Rotating Hook Oil Guard
		272111	Rotating Hook Shaft Bushing Bearing (short) Oil Packing Wick (not illustrated)
		272115	Feed Bar Connecting Link
		272131	Feed Bar Connecting Link Oil Wick Clamp
		275055	Feed Bar Connecting Link Oil Wick
		275069	Rotating Hook Bobbin Case Holder Position Bracket
		276059	Rotating Hook Bobbin Case Holder Position Bracket
			Feed Dog (16teeth to the inch)
			Throat Plate
			Rotating Hook Shaft

MACHINE PARTS FOR 366K125 MACHINE

KNEE LIFTER PARTS

<u>Part No.</u>	<u>Description</u>
276046	Feed Regulator and Feed Reversing Shaft Crank Hinge Stud Oil Packing (wick)
276166	Feed Regulator and Feed Reversing Shaft Spring
276171	Feed Driving Connection Link Hinge Pin with 244071
276171	Feed Driving Connection Link Hinge Pin with 244071
276179	Feed Regulator and Feed Reversing Shaft Bushing (front)
500257(805)	Feed Bar Carrier Pinch Screw
502541	Feed Bar Hinge Pin (eccentric)
502559	Feed Bar Carrier
502710	Feed Bar Carrier 502559 with 500257(805) and two 624(833)

MACHINE PARTS FOR 366K126 MACHINE

WHICH DIFFER FROM THOSE FOR 366K125 MACHINE

<u>Part No.</u>	<u>Description</u>
16376	Thread Eyelet and Thread Guard (front of Arm)
81820	Oil Wick Holder complete, with two 147141
98935	Arm Shaft (horizontal) with Needle Bar Crank, with 1036(830), 140542(830) and 141202(805)
99000	Needle Bar
99701	Needle Bar complete, Nos. 99000, 140036(803) and 149235-003
147308	Presser Foot (spring hinged) complete, Nos. 26231, 62527, 147306 and 147307
17315-001	Feed Dog, three row feed, 28 teeth (22 teeth to the inch)
147346-001	Throat Plate (three row feed. slotted needle hole)

ACCESSORIES

<u>Part No.</u>	<u>Description</u>
8908	Wrench
11140	Wrench
12361-001	Machine Hinge Connection
25878	Guide
41400	Machine Rest Pin (wood)
50190(809)	Guide Thumb Screw
81351-003	One quart can filled with light grade stainless oil (Type C)
161294	Screwdriver
161295	Screwdriver
146057	Wrench (socket)
151559	Machine Rest Pad
270010	Bobbin

KNEE LIFTER PARTS

<u>Part No.</u>	<u>Description</u>
20819	Bell Crank Plunger
86988	Rock Shaft Knee Arm for 90477 and 93997
87018	Rock Shaft Spring for 90477 for all territories except United Kingdom
90477	Knee Lifter complete Nos. 86988, 87018, 93942, 147483, 228364, 502589 and 502720 for 16384 for all territories except United Kingdom
93942	Knee Lifter Rock Shaft Crank (complete) Nos. 500270(805), 500785(805) and 502590 for 90477 (for all territories except United Kingdom)
93948	Rock Shaft Crank with 140351(805) for 93998

<u>Part No.</u>	<u>Description</u>
93949	Rock Shaft Spring for 93997 for United Kingdom
93997	Knee Lifter complete Nos. 86988, 93998, 93949, 147483, 228364, 502589 and 502720 for 93999 for United Kingdom
93998	Rock Shaft Crank complete Nos. 93948, 500270(805) and 500785(805) for 93997 for United Kingdom
140351(830)	Knee Lifter Rock Shaft Stop Dog Pinch Screw for 147483
140351(805)	Rock Shaft Crank Pinch Screw for 93948
147483	Knee Lifter Rock Shaft Stop Dog with 140351(830) for 90477 and 93997
228364	Rock Shaft Knee Arm Plate with 350231(803) for 90477 and 93997
350231(803)	Rock Shaft Knee Arm Plate Set Screw for 228364
500249(805)	Rock Shaft Knee Arm Hub Pinch Screw for 502720
500270(805)	Rock Shaft Crank Stop Screw for 93942 and 93948
500348(869)	Rock Shaft Crank Pinch Screw for 502590
500785(805)	Rock Shaft Crank Stop Screw Nut for 93942 and 93948
502589	Rock Shaft for 90477
502590	Rock Shaft Crank with 500348(869) for 93942
502720	Rock Shaft Knee Arm Hub complete Nos. 502591 and two 500249(805) for 90477 and 93997
	<u>MACHINE BASE AND OIL RESERVOIR</u>
16382	Machine Base and Oil Reservoir
16384	Machine Base and Oil Reservoir with Knee Lifter, complete, Nos. 90477 and 93164 for all territories except United Kingdom
17588	Machine Base and Oil Reservoir Gasket
81816	Machine Base and Oil Reservoir Isolating Pad (front)
86989	Machine Base and Oil Reservoir Isolating Pad (back)
88528	Machine Base and Oil Reservoir Isolating Pad (front, Face Plate End)
93164	Machine Base and Oil Reservoir 16382 with 17588, 20819, 88528, two each 81816 and 86989
93999	Machine Base and Oil Reservoir with Knee Lifter complete, Nos. 93164 and 93997 for United Kingdom.
	<u>THREAD UNWINDER</u>
208(830)	Thread Guide Rod Screw
82538	Spool Pin Washer
150203	Spool Rest Cushion (felt)
200383(803)	Spool Rest Rod Set Screw
201018(803)	Spool Rest Set Screw
201528(808)	Spool Pin Nut
201696(808)	Thread Guide Lock Nut
225257	Spool Rest (for two spools) (flat) with 201018(803), two each 82538, 201528(808) and 228692
225258	Thread Unwinder (for two spools) complete Nos. 201696(808), 225257, 225324, 225326, 225388, 259658, two each 150203, 225391 and three wood screws $\frac{1}{8}$ " No.12
225322	Thread Guide Rod Washer
225324	Thread Guide Rod with 208(830) and 225322
225326	Thread Guide Position Cup
225388	Spool Rest Rod
225391	Thread Guide
228692	Spool Pin
259658	Spool Stand with 200383(803)

Foot Operated Feed Reversing Lever Kits
(not illustrated)
(available at extra charge)

<u>Part No.</u>	<u>Description</u>
4879	Chain Connecting Link for 4885
4881	Foot Treadle for 4885
4882	Foot Treadle Shaft for 4885
4883	Foot Treadle Spring for 4885
4884	Foot Treadle Stand for 4885
-	Foot Treadle Stand Wood Screw, 1" No. 16 F.H. for 4885
4885	Foot Treadle Complete, Nos. 4879, 4881 to 4884 and two wood screws 1" No. 16 F.H. for 93912
6439-004	Chain (45" long) with 56864 and 56865 for 93911 and 93912
56864	Chain Hook (large) for 6439-004
56865	Chain Hook (small) for 6439-004
93575	Foot Operated Feed Reversing Lever for 93911 and 93912
93911	Foot Operated Feed Reversing Lever Kit complete, Nos., 6439-004, 93575 and 109519(830), for machines fitted to a Stand or other equipment which already includes a suitable Foot Treadle
93912	Foot Operated Feed Reversing Lever Kit complete, Nos. 4885, 6439-004, 93575 and 109519(830) for machines fitted to a Stand or other equipment which does not include a suitable Foot Treadle.
109519(830)	Foot Operated Feed Reversing Lever Securing Screw for 93911 and 93912