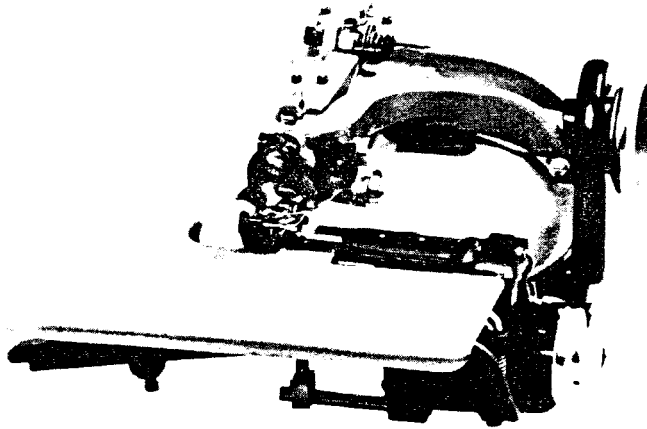


# SINGER\*

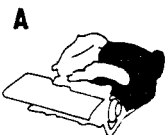


## PARTS LIST

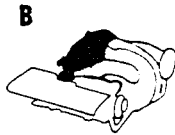
### BLINDSTITCH MACHINE

**MODEL 9 SS-1      9 SS-1B      9 SS-2**

#### SECTIONS



**A**  
**MAIN SHAFT  
GEAR ASSEMBLY  
SKIP CONTROL  
AND CRANK**



**B**  
**NEEDLE SHAFT  
LOOPER ROD  
NEEDLE ECCEN-  
TRIC**



**C**  
**FEED FRAME  
REGULATING  
DIAL**



**D**  
**SWING PLATE  
KNEE LIFT**



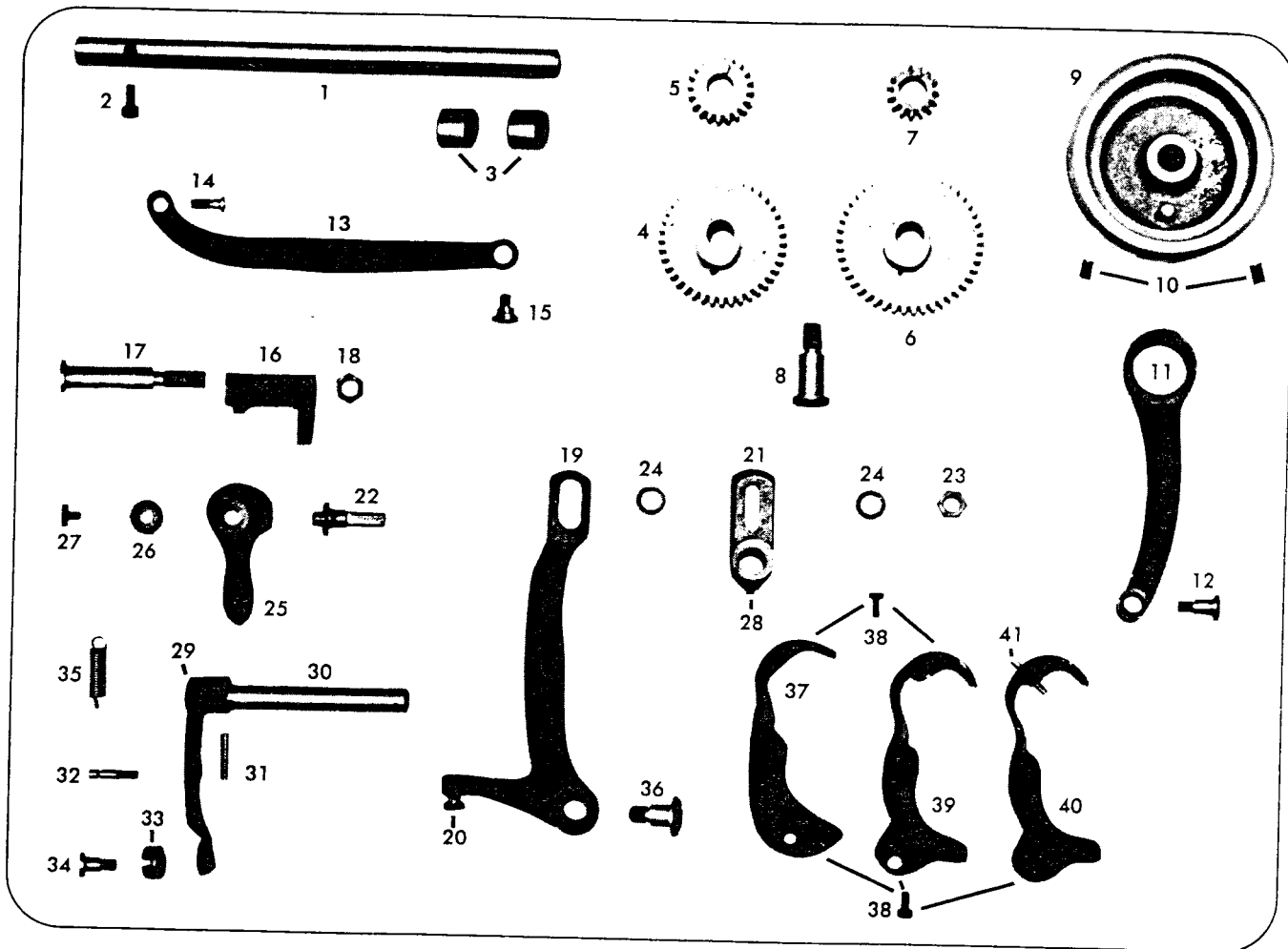
**E**  
**MACHINE  
HEAD**

**SINGER COMPANY OF CANADA LIMITED**

200 ST. LOUIS, ST. JOHN'S P.Q. CANADA

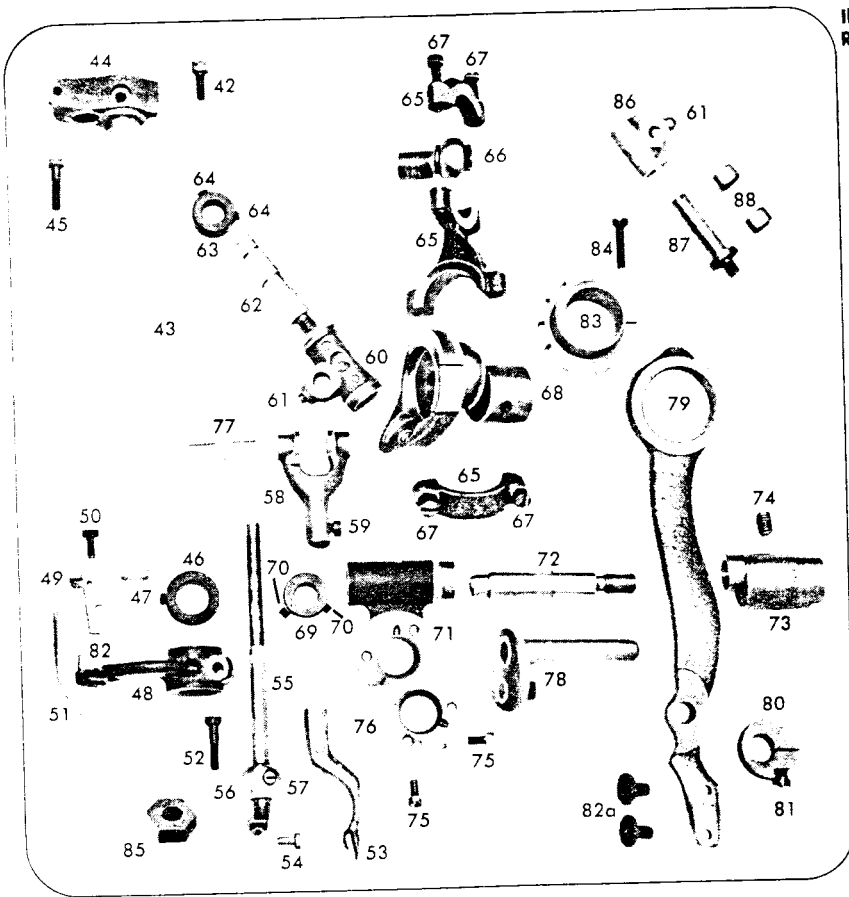
PRINTED IN CANADA

# A MAIN SHAFT GEAR ASSEMBLY



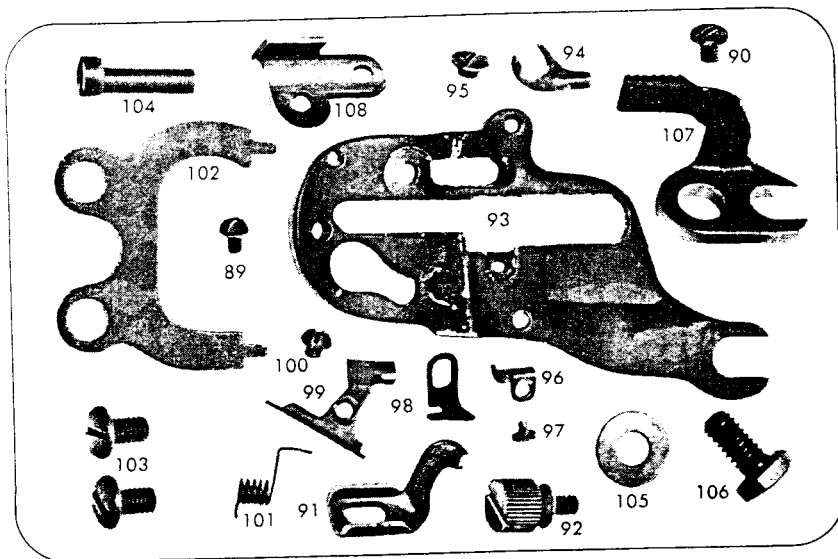
Illustrn. Ref. No.	Part No.	Description	Illustrn. Ref. No.	Part No.	Description
1	400029	Main Shaft		401831	Long Lever Assembly, includes the following:
2	402072	Main Shaft Screw	19	400177	Long Lever (Only)
3	402415	Main Shaft Needle Bearing (2) for Model 9SS-1B	20	400179	Long Lever Adjusting Screw
4	400157	Large Gear for Model 9SS-1	21	400170	Short Lever
5	400159	Small Gear for Model 9SS-1	22	400171	Short Lever Stud
6	402076	Large Gear for Model 9SS-2	23	400108	Short Lever Stud Nut
7	401657	Small Gear for Model 9SS-2	24	400369	Short Lever Stud Washer (2)
8	400158	Large Gear Stud	25	400173	Skip Control Lever
9	400142	Hand Wheel	26	400174	Skip Control Lever Washer
10	400098	Hand Wheel Set Screw (2)	27	400175	Skip Control Lever Screw
11	400079	Hand Wheel Connection	28	400099	Short Lever Screw
12	400080	Hand Wheel Connection Stud		402357	Cam Lever Assembly, includes the following:
	400673	Rib Shaft Connection Lever Ass'y, includes the following:	29	400162	Cam Lever (Only)
13	400267	Rib Shaft Connection Lever	30	400163	Cam Lever Shaft
14	400072	Rib Shaft Connection Lever Stud (Front)	31	400367	Cam Lever Tapered Pin
15	400078	Rib Shaft Connection Lever Stud (Rear)	32	400168	Cam Lever Screw (for Spring 400166)
	400674	Rib Rocker assembly, includes the following:	33	400164	Cam Lever Shaft Roller
16	400106	Rib Rocker (only)	34	400165	Cam Lever Shaft Roller Stud
17	400107	Rib Rocker Stud	35	400166	Cam Lever Spring (Not included in Ass'y)
18	400108	Rib Rocker Stud Nut	36	400178	Long Lever Stud
			37	402176	Gear Cover for Model 9SS-2
			38	400040	Gear Cover Screw
			39	400160	Gear Cover for Model 9SS-1
			40	400160b	Gear Cover for Model 9SS-1B
			41	400367	Gear Cover Tapered Pin for 9SS-1B

# B1 NEEDLE SHAFT, LOOPER ROD, NEEDLE ECCENTRIC ASSEMBLY



Illustrn. Ref. No.	Part No.	Description
42	402072	Needle Shaft Crank Locking Screw
43	400030	Needle Shaft
44	400037	Needle Shaft Crank
45	400094	Needle Shaft Crank Clamping Screw
46	400084	Needle Shaft Collar 7/16"
47	400100	Needle Shaft Collar Set Screw
48	400038	Needle Lever
49	400039	Needle Lever Clamp
50	400040	Needle Lever Clamp Screw
51	400707	Needle (Size 2 1/2)
52	400094	Needle Lever Clamping Screw
53	401073	Looper (Solid)
54	400042	Looper Screw
55	400043	Looper Rod
56	400044	Looper Rod Ball
57	400045	Looper Rod Ball Set Screw
58	400051	Looper Fork
59	400040	Looper Fork Clamping Screw
60	400055	Looper Driving Stud Sleeve
61	400099	Looper Driving Stud Sleeve Set Screw
62	400053	Looper Driving Stud
63	400054	Looper Driving Stud Collar
64	400100	Looper Driving Stud Collar Set Screw
65	400035	Needle Stitch Shaft Connection
66	400036	Needle Stitch Shaft Connection Ball Stud
67	400094	Needle Stitch Shaft Connection Fastening Screw (4)
68	400031	Needle Stitch Eccentric (Regular)
69	400054	Looper Rod Carrier Stud Collar
70	400100	Looper Rod Carrier Stud Collar Set Screw (2)
71	400046	Looper Rod Carrier
72	400048	Looper Rod Carrier Stud
73	400050	Looper Adjusting Block
74	400098	Looper Adjusting Block Set Screw
75	400095	Looper Rod Carrier Cap Clamping Screw (2)
76	400047	Looper Rod Carrier Cap
77	400052	Looper Rod Fork Pin
78	400026	Feed Rocker
79	400025	Feed Lever
80	400027	Feed Rocker Clamp
81	400094	Feed Rocker Clamp Set Screw
82	402098	Needle Lever Clamp Pin
82a	400097	Feed Dog Fastening Screw (2)
83	400034	Needle Eccentric Ring
84	400094	Needle Eccentric Ring Clamping Screw
85	402341	Looper Rod Lock Nut
86	400323	Looper Driving Stud Sleeve (For Bearing M/C)
87	400266	Looper Driving Stud (For Bearing M/C)
88	402077	Looper Driving Stud Sleeve Bearing (2)

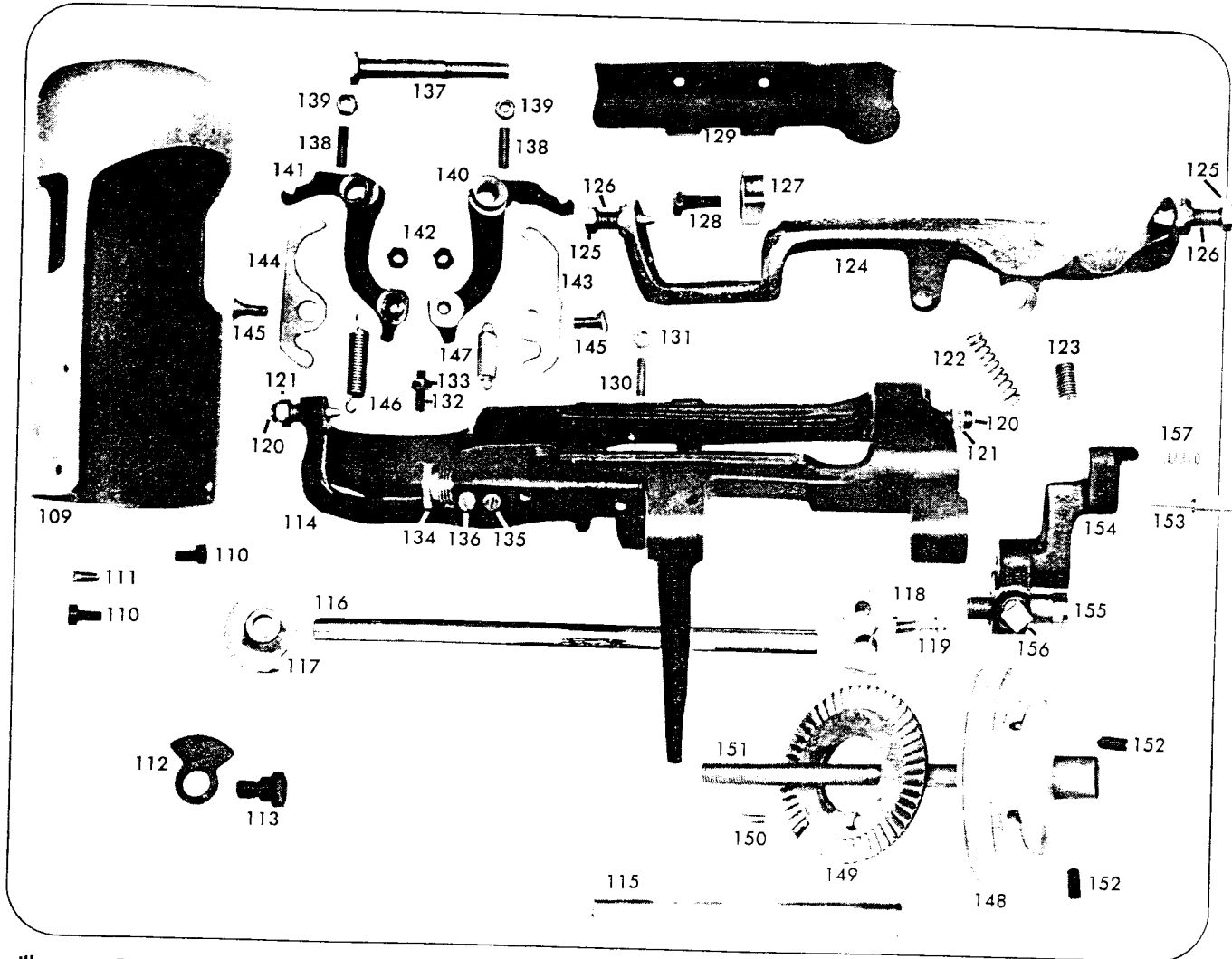
# B2 PRESSER FOOT COMPLETE



105	402068	Presser Foot Clamp Screw Washer
106	400103	Presser Foot Clamp Screw
107	400028	Feed Dog Coarse
	400143	Feed Dog — Fine
108	401306	Presser Foot Cloth Guide Bracket
	401186	Presser Foot Complete 3/16" Opening
	401738	Presser Foot Complete 1/4" Opening
	401296	Presser Foot Complete w/New Style Gauge
	401305	Presser Foot Cloth Guide Comp.

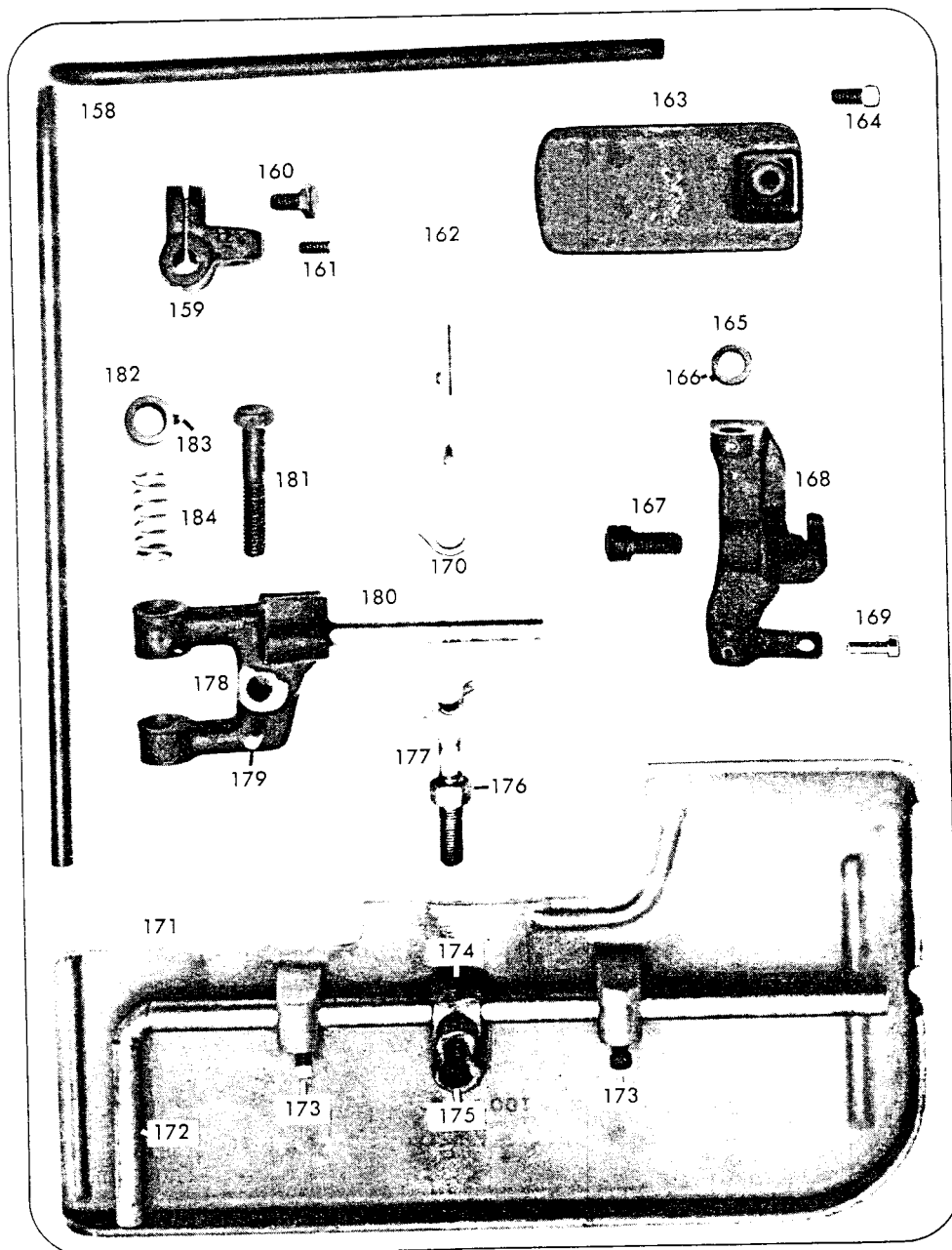
Illustrn. Ref. No.	Part No.	Description
89	401301	Presser Foot Cloth Guide Holding Screw
90	401302	Presser Foot Cloth Guide (Right) Holding Screw
91	401303	Presser Foot Adj. Cloth Guide
92	401304	Presser Foot Adj. Cloth Guide Knurled Screw
93	402141	Presser Foot Plate 1/4" Opening
	402157	Presser Foot Plate 3/16" Opening
94	400081	Presser Foot Needle Guide
95	400082	Presser Foot Needle Guide Screw
96	401184	Presser Foot Metal Pin
97	401185	Presser Foot Metal Pin Screw
	400145	Presser Foot Shoe Complete 3/16" Wide
	400668	Presser Foot Shoe Complete 1/4" Wide
	401298	Presser Foot (Flat) Shoe 1/4" Wide
98	401200	Presser Foot Shoe Guide
99	402310	Presser Foot Shoe (Only) 3/16" Wide
	402186	Presser Foot Shoe (Only) 1/4" Wide
100	401201	Presser Foot Shoe Guide Screw
101	400065	Presser Foot Shoe Spring
102	400060	Presser Foot Brace
103	400096	Presser Foot Mounting Screw (2)
104	400066	Presser Foot Adjusting Eccentric Pin

# C FEED FRAME AND REGULATING DIAL ASSEMBLY



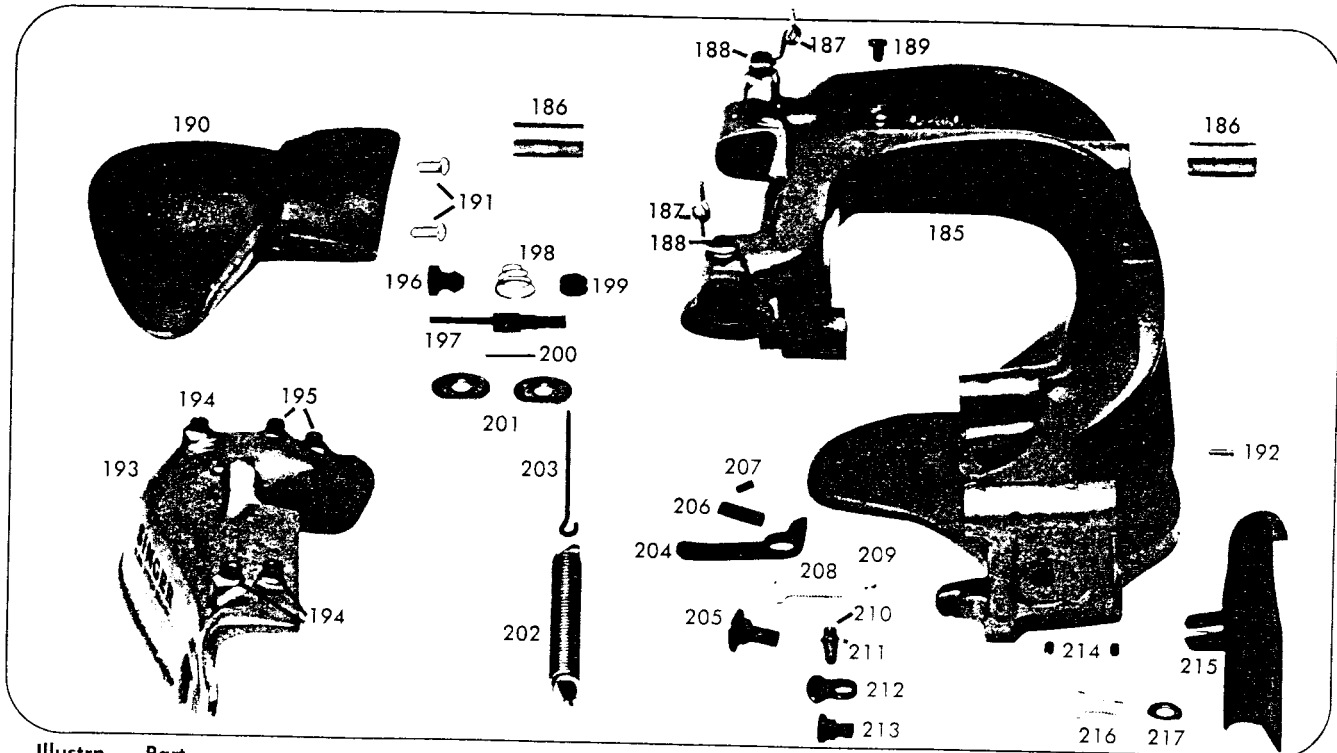
Illustrn. Ref. No.	Part No.	Description	Illustrn. Ref. No.	Part No.	Description
109	400206	Aluminum Sleeve (Long)	132	400020	Platen Bracket Limit Screw
110	400040	Aluminum Sleeve Mounting Screw (2)	133	400021	Platen Bracket Limit Screw Nut
111	400197	Aluminum Sleeve Positioning Screw	134	402073	Feed Bracket Stud Bushing
112	400009	Feed Frame Regulating Stop	135	400100	Feed Bracket Stud Bushing Set Screw—Short
113	400010	Feed Frame Regulating Stop Stud	136	400099	Feed Bracket Stud Bushing Set Screw—Long
114	400303	Feed Frame	137	400022	Feed Bracket Stud
115	400002	Feed Frame Hinge Pin	138	400020	Feed Bracket Limit Screw (2)
116	400069	Rib Shaft	139	400021	Feed Bracket Limit Screw Nut (2)
117	400336	Rib (Skip)	140	400017	Feed Platen Bracket Right
118	400071	Rib Shaft Crank	141	400018	Feed Platen Bracket Left
119	400094	Rib Shaft Crank Fastening Screw	142	400021	Feed Platen Screw Nut (2)
120	400075	Rib Shaft Center Screw (2)	143	400015	Feed Platen Right
121	400312	Rib Shaft Center Screw Nut (2)	144	400016	Feed Platen Left
122	400149	Rib Shaft Cradle Spring	145	400101	Feed Platen Screw (2)
123	400334	Rib Shaft Cradle Positioning Screw	146	400166	Feed Platen Spring Right
124	400333	Rib Shaft Cradle Styles No. 2	147	400019	Feed Platen Spring Left
125	400312	Rib Shaft Cradle Center Screw Nut (2)	148	400195	Regulating Dial
126	400075	Rib Shaft Cradle Center Screw (2)	149	400196	Regulating Dial Ratchet
127	402084	Rib Shaft Support	150	400197	Regulating Dial Regulating Screw
128	400074	Rib Shaft Support Screw	151	400205	Regulating Dial Regulating Screw
129	400070	Rib Shaft Cover Complete	152	400204	Regulating Dial Set Screw (2)
130	400020	Rib Shaft Cradle Screw	153	400202	Regulating Dial Plunger
131	400021	Rib Shaft Cradle Screw Nut	154	400200	Regulating Dial Indicating Arrow Bracket
			155	400203	Regulating Dial Indicating Arrow Bracket Screw
			156	402055	Regulating Dial Indicating Bracket Set Screw
			157	400201	Regulating Dial Plunger Spring

# D SWING PLATE AND KNEE LIFT ASSEMBLY



Illustrn. Ref. No.	Part No.	Description	Illustrn. Ref. No.	Part No.	Description
	400180	Swing Plate Complete includes the following:			
	400127	Knee Lift Lever complete includes the following:			
158	400131	Knee Lift Rod	171	402465	Swing Plate (Only)
159	402353	Knee Lift Lever	172	400178	Swing Plate Rod
160	402080	Knee Lift Lever Clamping Screw	173	400182	Swing Plate Clamp Screw (2)
161	402055	Knee Lift Lever Set Screw	174	400193	Swing Plate Stop Stud Bracket
162	402106	Knee Lift Pull Down Stem	175	400133	Swing Plate Stop Stud Bracket Screw
163	400132	Knee Lift Pad	176	400192	Swing Plate Stop Stud Nut
164	402079	Knee Lift Pad Set Screw	177	400191	Swing Plate Stop Stud
165	400415	Knee Lift Collar	178	400183	Swing Plate Main Bracket
166	400100	Knee Lift Collar Set Screw	179	400185	Swing Plate Main Bracket Pin
167	402056	Knee Lift Main Bracket Screw	180	400184	Swing Plate Main Bracket Stud
168	400128	Knee Lift Main Bracket	181	400186	Swing Plate Main Bracket Screw
169	402053	Knee Lift Main Bracket Positioning Screw	182	400084	Swing Plate Rod Collar
170	400121	Knee Lift Pull Down Stem Hook	183	400100	Swing Plate Rod Collar Set Screw
			184	400190	Swing Plate Rod Spring

# E MACHINE HEAD



Illustr. Ref. No.	Part No.	Description
185	402344	Main Frame Skip
186	401663	Main Shaft Oilite Bushing (2)
187	400087	Thread Guide (2)
188	400096	Thread Guide Screw (2)
189	402025	Main Frame Oil Fitting
190	400155	Lower Cover
191	402052	Lower Cover Mounting Screw (2)
192	400167	Cam Lever Pin
193	400156	Upper Cover
194	402426	Upper Cover Oil Fitting (Long) (3)
195	402025	Upper Cover Oil Fitting (Short) (2)
196	400087	Upper Cover Fastening Thumb Nut
197	400090	Tension Long Stud
198	400091	Tension Spring
199	400092	Tension Regulating Nut
200	400093	Tension Pin

Illustr. Ref. No.	Part No.	Description
201	400088	Tension Disc (2)
202	400139	Feed Frame Tension Spring (Short)
203	400140	Feed Frame Tension Spring Hook
204	400141	Feed Frame Tension Spring Hook Lever
205	400005	Feed Frame Tension Spring Lever Stud
206	400311	Feed Frame Tension Spring Lever Limit Screw
207	400204	Feed Frame Tension Spring Lever Set Screw
208	400014	Feed Frame Stop Screw
209	402062	Feed Frame Stop Screw Nut
210	400311	Feed Frame Safety Limit Screw
211	400312	Feed Frame Safety Limite Screw Nut
212	400009	Feed Frame Regulating Stop
213	400010	Feed Frame Regulating Stop Stud
214	400099	Feed Frame Hinge Pin Set Screw (2)
215	400137	Belt Guard
216	402064	Belt Guard Fastening Screw
217	402068	Belt Guard Washer

## ACCESSORIES

400118 Bolt

402060 Washer

Needles 400707 (or specify size)

402066 Wing Nut

St. J 22100 Instruction Booklet

400120 Cotton Stand Complete

402086 Cotton Bag

402058 SINGER BLIND STITCH MACHINES