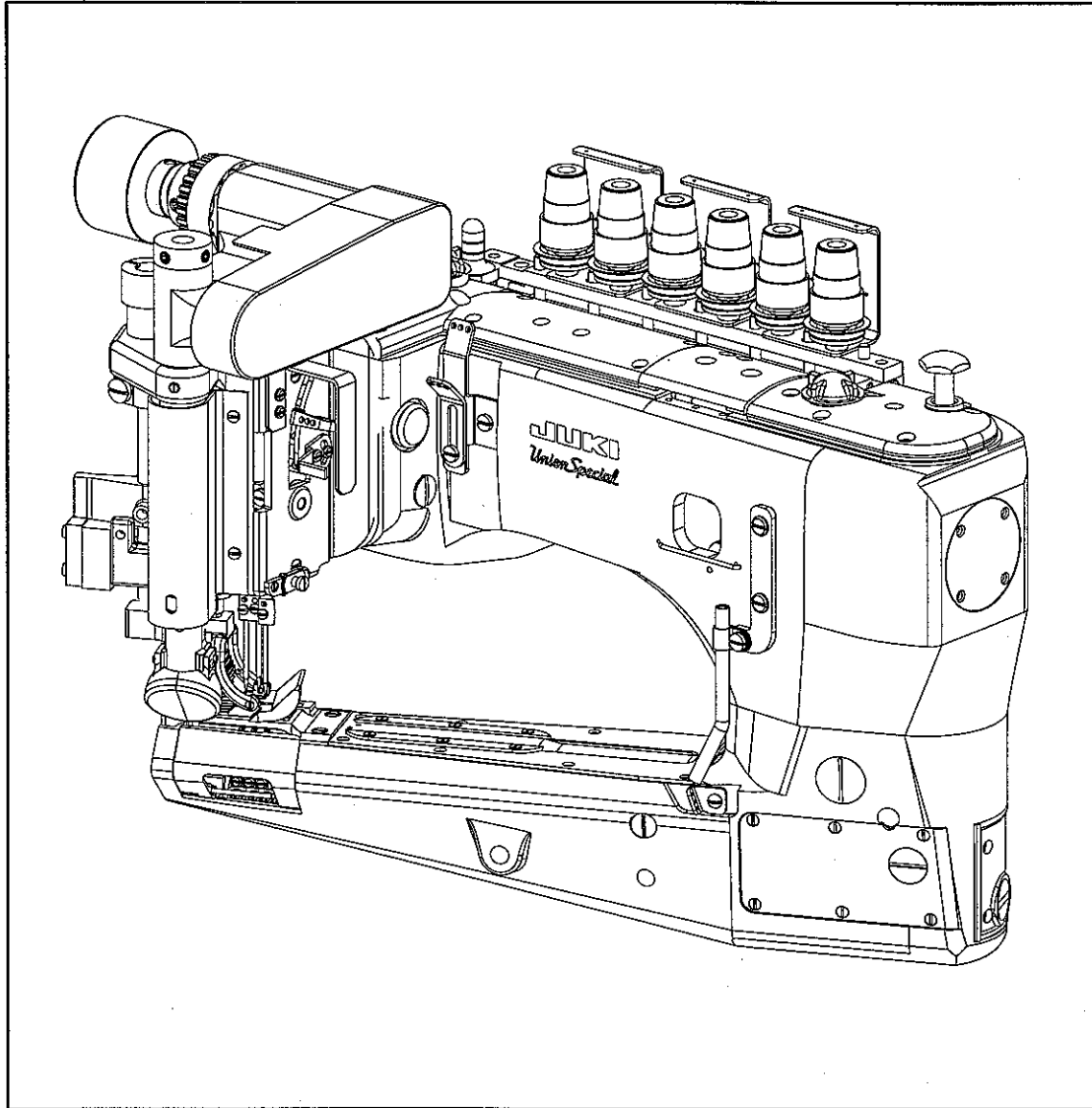




# *Union Special*

INDUSTRIAL SEWING EQUIPMENT

## ENGINEERS MANUAL



**MANUAL NO. EN9807  
FOR PNEUMATIC KIT  
29480BBB**



# **PNEUMATIC KIT 29480BBB**

**This Engineer's Manual has been Designed to assist you in the disassembly, reassembling and adjusting of pneumatic kit 29480BBB for the Union Special 35800 class machines.**

**It is the desire of Union Special Corporation that each machine run at its optimum performance. Procedures in this manual are designed specifically for the class 35800 machines and are written to assure long lasting service.**

**This manual has been comprised on the basis of available information at the time of printing. Changes in design and/or improvements may incorporate a slight modification or configuration in illustrations or adjustments.**

**This manual should be used in conjunction with PT9640.**

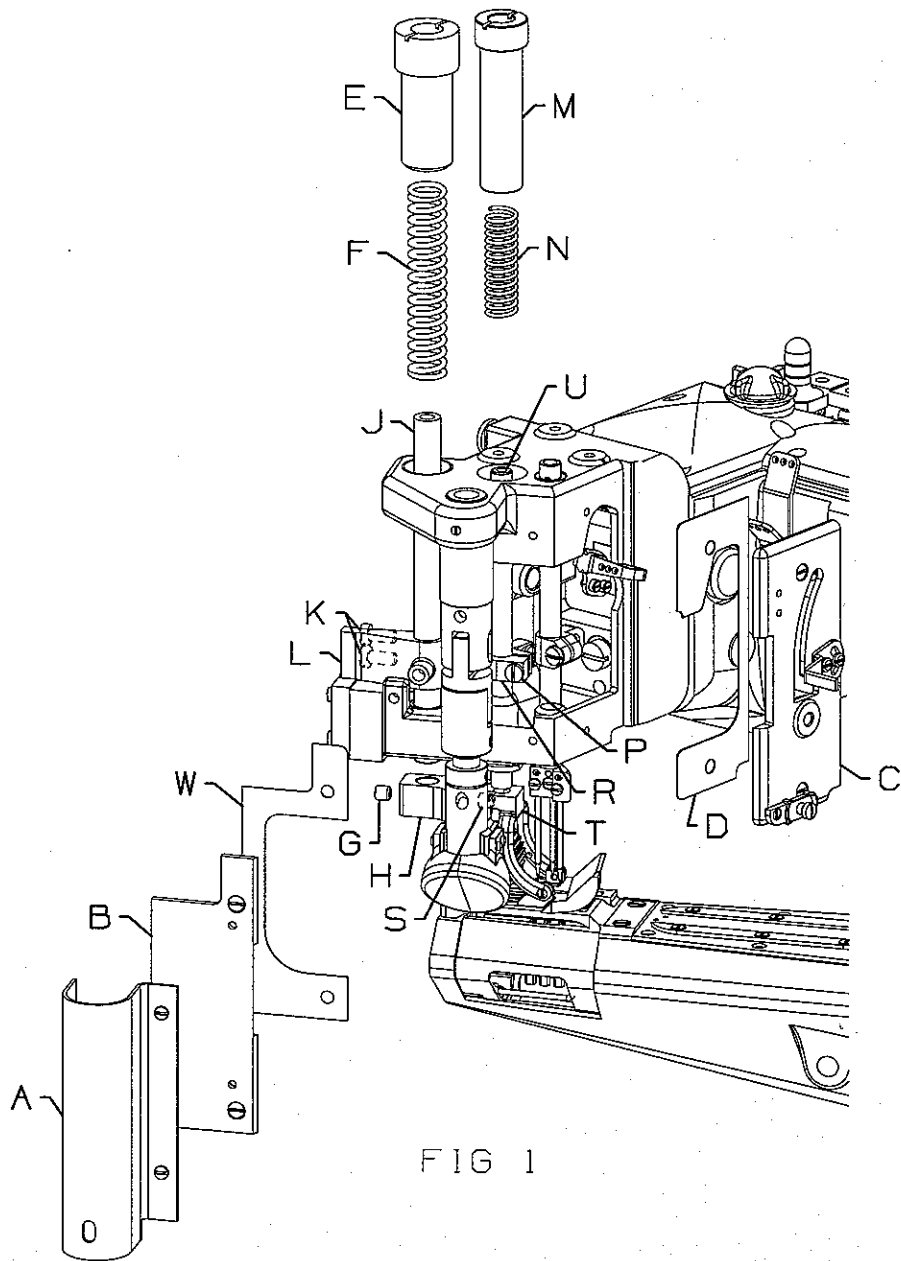
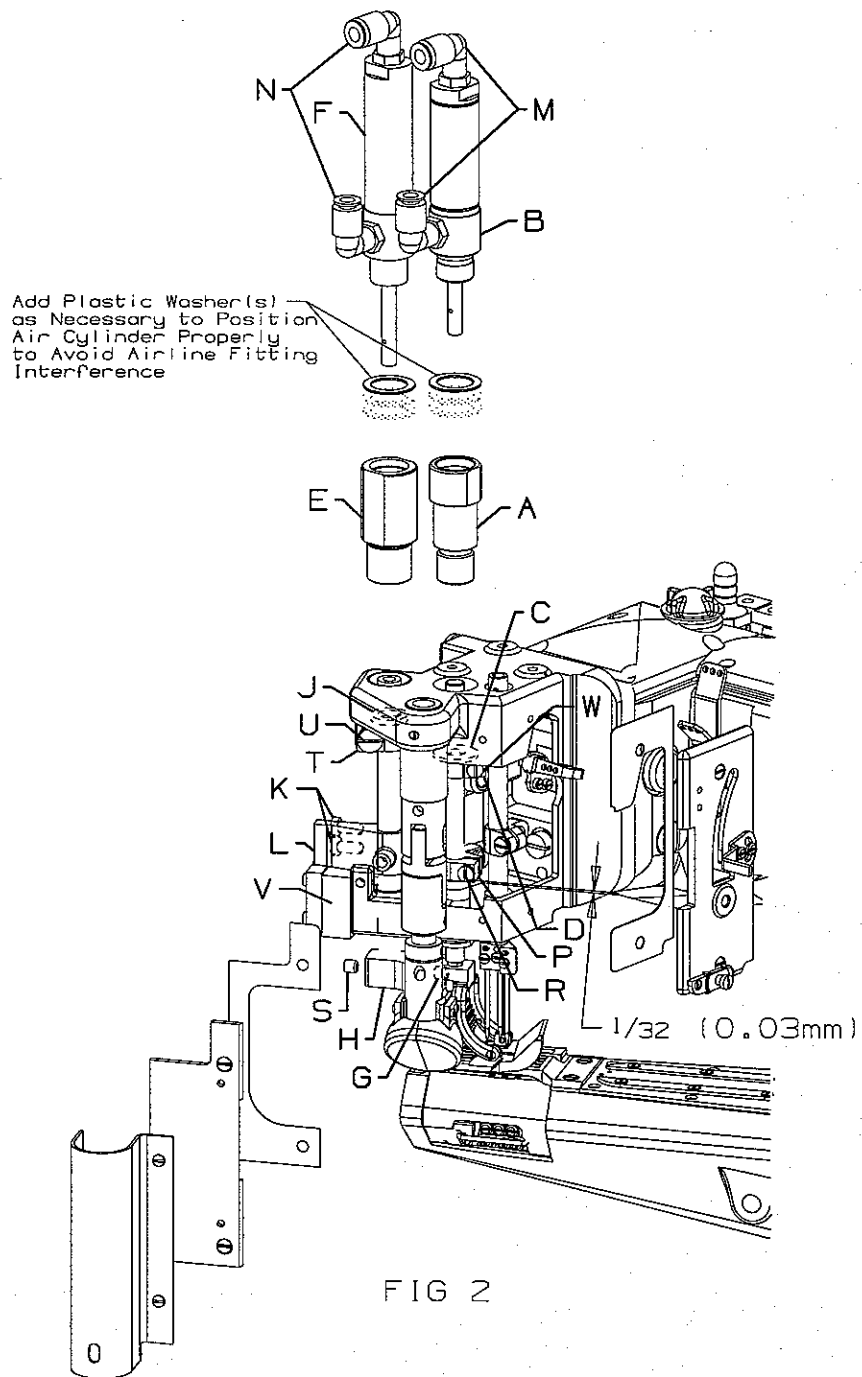


FIG 1

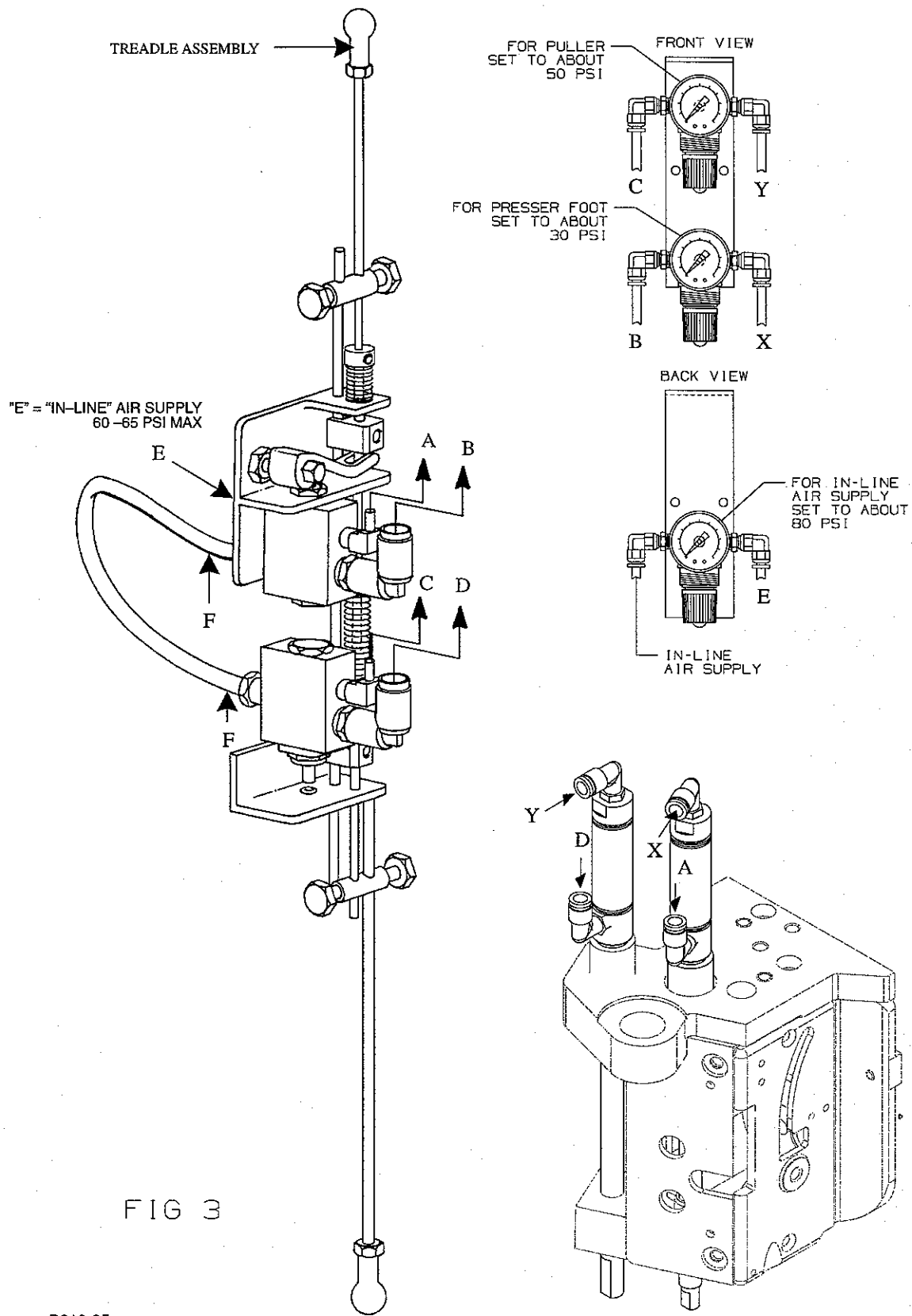
## **REMOVE:**

1. Remove Cover (A, Fig 1).
2. Remove Cover (B, Fig 1).
3. Remove Gasket (W, Fig 1).
4. Remove Front Head Cover (C, Fig 1).
5. Remove Gasket (D, Fig 1).
6. Remove Puller Bar Knob (E, Fig 1).
7. Remove Puller Bar Spring (F, Fig 1).
8. Loosen Puller Bar Clamp Screw (G, Fig 1) In Puller Assembly (H, Fig 1).
9. Loosen Two Puller Bar Clamp Screws (K, Fig 1) In Rear Guide Finger (L, Fig 1).
10. Lift Roller Bar (J, Fig 1) And Remove Puller Assembly (H, Fig 1) From Bar.
11. Remove Roller Bar (J, Fig 1).
12. Remove Presser Bar Knob (M, Fig 1).
13. Remove Presser Bar Spring (N, Fig 1).
14. Loosen Clamp Screw (P, Fig 1) In Presser Bar Lifter And Guide (R, Fig 1).
15. Loosen Presser Foot Clamp Screw (S, Fig 1) In Presser Foot Fork (T, Fig 1).
16. Remove Presser Bar (U, Fig 1).



## **ADD/ADJUST:**

1. Screw Cylinder Adaptor (A, Fig 2) For Presser Bar Into Head.
  2. Slide Presser Bar Air Assembly (B, Fig 2) Into Adaptor (A, Fig 2).
  3. To Presser Bar Add Neoprene Washer (C, Fig 2) And Clamp Collar (D, Fig 2).
  4. Presser Bar Should Then Go Into Presser Bar Lift Clamp (P, Fig 2).
  5. Screw Air Cylinder Into Adaptor (A, Fig 2).
  6. Attach Presser Foot Fork To Presser Bar. Tighten Screw (G, Fig 2) In Fork Against Flat On Bar.
  7. Align Needle Holes Of Presser Foot With Needle Holes In Throat Plate. With Feed Dogs Below Throat Plate Make Sure Presser Foot Is Resting On Throat Plate, Position Presser Bar Lift Clamp About 1/32" (.03mm) Above Top Of Presser Bar Bushing And Tighten Clamp Screw (R, Fig 2).
  8. Set Collar (D, Fig 2) To Stop Against Casting So That When Needles Are Down And Foot Is Lifted The Bottom Of Needle Head And Top Of Presser Foot Have Clearance. Tighten Screw (W, Fig 2).
- \* See Note On Adding Plastic Washer(s), If Necessary Repeat Above Disassembly & Assembly
9. Screw Cylinder Adaptor (E, Fig 2) For Puller Bar Into Casting.
  10. Slide Puller Shaft Air Cylinder Assembly (F, Fig 2) Into Adaptor (E, Fig 2).
  11. To Puller Shaft Add Neoprene Washer (J, Fig 2) And Clamp Collar (T, Fig 2).
  12. Puller Bar Should Then Go Into Rear Guide Finger (L, Fig 2) And Then Go Into Bottom Bushing Of Bed.
  13. Screw Air Cylinder Into Air Cylinder Adaptor (E, Fig 2).
  14. Attach Puller Assembly (H, Fig 2) To Puller Bar. Puller Bar Should Go Into Puller Yoke As Far As Possible, Tighten Clamp Screw (S, Fig 2) Against Flat On Bar.
- \* See Note On Adding Plastic Washer(s), If Necessary Repeat Above Disassembly & Assembly
15. Using Shim(s) Adjust Feed Roller Mechanism (H, Fig 2) So That The Roller Is .003" (0.08mm) To .005" (0.13mm) Above Throat Plate. Slide Rear Guide Finger (L, Fig 2) Down So That It Sits On Top Of Rear Guide Support Block (V, Fig 2). Guide Finger For Roller Should Be Set So That Entire Roller Mechanism Has Free Movement Up And Down With No Left To Right Movement. With Roller Properly Aligned, The Edge Of The Roller Should Be Parallel With Feed Slots In Throat Plate. Tighten Two Screws (K, Fig 2) To Secure Feed Roller Mechanism In Place.
  16. Set Stop Collar (K, Fig 2) So That When Puller Assembly Is Lifted There Is Clearance Between Roller And Bottom Of Presser Foot Fork. Tighten Screw (U, Fig 2).
  17. Reassemble Gaskets And Covers To The Machine.
  18. Assemble (2) Air Fittings (M, Fig 2) Into Air Cylinder (B) For Presser Bar.
  19. Assemble (2) Air Fittings (N, Fig 2) Into Air Cylinder (F) For Roller Bar.





## **ADD/ADJUST (CONT.):**

20. **Mount Treadle Switch Assembly (X, Fig 3) To Pedestal As Per Instructions Included With Kit.**
21. **Assemble Air Regulators And Mount To Pedestal.**
22. **Attach Air Lines As Per (Fig,3)**
23. **Set Air Regulator To Recommended P.S.I. As Per (Fig,3). The Pressure For The Puller And / Or Presser Foot May Have To Be Adjusted To Suit Proper Sewing Condition.**
24. **Treadle Switch May Have To Be Adjusted To Suit Operators Preference. Sequence Should Be: Slight Heal Pressure On Treadle Should Lift Presser Foot Only, Further Healing Should Lift Roller. Both Presser Foot And Roller Should Stay In Up Position As Long As Maximum Healing Of Treadle Is Applied. Both Presser Foot And Roller Should Be In Down Position Before Sewing Begins.**







*Union Special*  
INDUSTRIAL SEWING EQUIPMENT