

Singer 17-41

Form 20582  
May, 1952  
Printed in U.S.A.

# LIST OF PARTS



MACHINE No. 17-41

---

\*\* A TRADE MARK OF  
THE SINGER MANUFACTURING COMPANY

## INSTRUCTIONS FOR OILING

To ensure easy running and prevent unnecessary wear of the parts which are in movable contact, the machine requires oiling and when in continuous use, "TYPE B" or "TYPE D" OIL, sold only by Singer Sewing Machine Company, should be applied at least twice each day to all oil holes marked "OIL," as instructed in Form 7946.

"TYPE D" OIL is stainless.

Copyright, U. S. A., 1952 by  
The Singer Manufacturing Company  
All Rights Reserved for All Countries

## I N D E X

	Page
Accessories .....	11
Bobbin Winder .....	11
Foot Lifter Parts.....	11
Knee Lifter Parts.....	12
Machine Base .....	12
Machine No. 17-41 .....	7
Numerical List of Parts.....	13

## INSTRUCTIONS FOR ORDERING

In ordering from this list, use **ONLY** the part NUMBER in the **FIRST** column.

The number stamped on a Sewing Machine Part is in every case the number of the single part only.

Every combination of parts sent out as such has its specific number, which, although not stamped on the parts, must be used when ordering the combination.

Each number always indicates the **SAME PART** in whatever list it appears, or for whatever machine.

The letters after some of the numbers indicate the style of finish only, as follows:

- A—Hardened, Polished, Nickel Plated and Buffed
- A.A—Buffed and Chromium Plated
- A.B—Hardened, Polished, Buffed and Chromium Plated
- A.C—Brown Baking Enamel Finish
- A.D—Gray Baking Enamel Finish
- A.E—Hardened, Bright Rumbled and Nickel Plated
- A.F—Hardened, Bright Rumbled, Nickel Plated, Bright Rumbled and Chromium Plated
- A.G—Alumilite, Plain
- A.H—Alumilite, Dyed
- A.J—Polished, Nickel Plated and Chromium Plated
- A.K—Hardened, Polished, Nickel Plated and Chromium Plated
- A.L—Heat Treated for Toughness
  - B—Polished, Nickel Plated and Buffed
  - C—Hardened Only
- C.R—Hardened and Merlized
- D—Polished Only
- E—Soft, Not Polished
- F—Hardened and Polished
- F.J—Hardened, Polished and Nickel Plated
- G—Bright Rumbled and Nickel Plated
- H—Blued
- J—Nickel Plated Only
- K—Hardened and Nickel Plated
- L—Brass Plated
- M—Oxidized
- N—Japanned, Dull
- P—Japanned, Bright
- P.P—Wrinkle Finish
- R—Merlized
- S—Cadmium Plated
- T—Copper Plated
- T.A—Hardened, Polished, Copper and Nickel Plated and Buffed
- T.B—Copper and Nickel Plated and Polished
- T.J—Copper and Nickel Plated Only
- T.K—Hardened, Copper and Nickel Plated
- T.L—Copper and Brass Plated
- T.M—Copper Plated and Oxidized

## INSTRUCTIONS FOR ORDERING—Continued

- U—Zinc Plated
- V—Silver Plated
- W—Polished and Nickel Plated
- X—Black Oxide, for Iron and Steel
- X.C—Hardened and Black Oxide, for Iron or Steel
- Y—Black Nickel Plated Only
- Z—Chromium Plated
- Z.A—Hardened, Polished, Nickel Plated, Buffed and Chromium Plated
- Z.B—Polished, Nickel Plated, Buffed and Chromium Plated
- Z.C—Hardened and Chromium Plated
- Z.D—Polished and Chromium Plated
- Z.G—Bright Rumbled, Nickel Plated, Bright Rumbled and Chromium Plated
- Z.J—Nickel and Chromium Plated
- Z.T—Copper and Chromium Plated

These letters **MUST BE USED** when they appear in the list; and **AFTER** the number as in the list.

In this series:

1 to 1500, 50001 to 51500 and 140001 to 142000 are Screw Numbers

1501 to 1800 and 51501 to 51800 are Nut Numbers

1801 to 2000 and 51801 to 52000 are Roller Numbers

2001 to 50000 and 52001 to 140000 and 142001 to 190000 are Sewing Machine Parts, 190001 and upward are numbers of Electrical Parts.

The figures in the second column refer only to the plates, illustrating the parts, and are **NOT TO BE USED** in ordering.

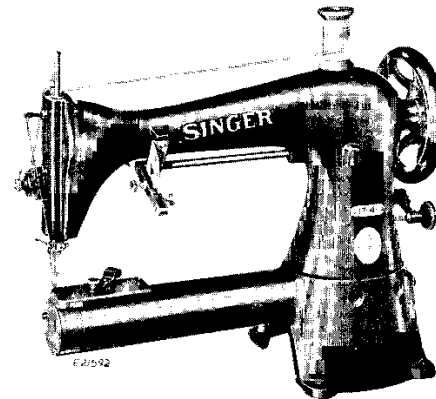
Parts marked with an asterisk (\*) are furnished only when repairs are made at factory.

**SINGER** Needles should be used  
in **SINGER** Machines  
These Needles and their Containers  
are marked with the  
Company's Trade Mark "SIMANCO.\*\*" 1

Needles in Containers marked  
"FOR SINGER MACHINES"  
are **NOT SINGER** made needles. 2

## LIST OF PARTS COMPLETE

FOR



## MACHINE No. 17-41

FOR GENERAL WORK IN LEATHER. REVERSIBLE DROP  
FEED ACROSS CYLINDER. ROLLER PRESSER. MAXIMUM  
STITCH LENGTH 5-1/3 TO THE INCH. SPEED 1200, DE-  
PENDENT ON MATERIAL USED AND OPERATION PER-  
FORMED.

**SINGER** Needles should be used  
in **SINGER** Machines  
These Needles and their Containers  
are marked with the  
Company's Trade Mark "SIMANCO.\*\*" 1

Needles in Containers marked  
"FOR SINGER MACHINES"  
are NOT **SINGER** made needles. 2

No.	Plate	Name
*16687	.....	Arm with 4448 and 4449.....
4389	20929	Arm Dowel Pin (2).....
4448	20929	Arm Oil Tube (for intermediate bearing).....
123E	20929	Arm Screw (3).....
4368	20929	Arm Shaft.....
65072	.....	Arm Shaft 4368 with 3032 and 65128.....
3005	20929	Arm Shaft Bushing (back).....
448AL	20929	Arm Shaft Bushing (back) Set Screw.....
4449	20929	Arm Shaft Bushing (front).....
144D	20929	Arm Shaft Screw.....
4288	20929	Arm Side Cover.....
51224W	20929	Arm Side Cover Thumb Screw.....
52239	20929	Arm Spool Pin and Thread Eyelet.....
8879	20929	Arm Spool Pin Washer (cloth).....
4292	20929	Crank Connecting Rod with 125044 and two 145E.....
125044	20929	Crank Connecting Rod Oil Pad (felt).....
145E	20929	Crank Connecting Rod Cap Screw (2).....
375C	20929	Crank Connecting Rod Hinge Screw.....
1518J	20929	Crank Connecting Rod Hinge Screw Nut.....
*16863	.....	Cylinder, 2 7/16 in. diam.....
65042	20930	Face Plate.....
65043	.....	Face Plate 65042 with 2105.....
164J	20930	Face Plate Screw.....
2107	20930	Face Plate Thread Eyelet.....
65045	20930	Face Plate Thread Eyelet.....
233J	20930	Face Plate Thread Eyelet Screw.....
463AL	20930	Face Plate Thread Eyelet Set Screw.....
65044	20930	Face Plate complete, Nos. 448AL, 460AL, 463AL, 2107, 2111, 2127, 2269, 4369, 56791, 65043, 65045 and two 233J.....
3032	20929	Feed Cam with 446AL.....

## PARTS FOR MACHINE No. 17-41

No.	Plate	Name
446AL	20929	Feed Cam Set Screw
52165	20932	Feed Connecting Link
375C	20932	Feed Connecting Link Hinge Screw (2)
1518J	20932	Feed Connecting Link Hinge Screw Nut (2)
65159	20936	Feed Dog 10 teeth (16 teeth to the inch) for 6042
65160	20931	Feed Dog 13 teeth (21 teeth to the inch) for 65170
NOTE: No. 65160 is sent with this Machine unless another Feed Dog is specified on order.		
65161	20932	Feed Dog Carrier
225C	20932	Feed Dog Screw
16678	20932	Feed Forked Connection
16808		Feed Forked Connection complete, Nos. 5544, 16678, 52165 and two each 375C and 1518J
375C	20932	Feed Forked Connection Hinge Screw
1518J	20932	Feed Forked Connection Hinge Screw Nut
5544	20932	Feed Regulator Crank with two 448AL
448AL	20932	Feed Regulator Crank Set Screw (2)
6808	20932	Feed Regulator Lever with 207J
6809		Feed Regulator Lever complete, Nos. 190J, 6808 and 6810
732D	20932	Feed Regulator Lever Adjusting Thumb Screw
1584E	20932	Feed Regulator Lever Adjusting Thumb Screw Nut
3146	20932	Feed Regulator Lever Adjusting Thumb Screw Nut Washer
6810	20932	Feed Regulator Lever Friction Plate
190J	20932	Feed Regulator Lever Friction Plate Screw
732D	20932	Feed Regulator Lever Friction Plate Thumb Screw
2049	20932	Feed Regulator Lever Pin
207J	20932	Feed Regulator Lever Set Screw
5550	20932	Feed Regulator Lever Shaft
16713	20932	Feed Regulator Lever Segment
330J	20932	Feed Regulator Lever Segment Screw (2)
6017	20932	Feed Rock Shaft
65162		Feed Rock Shaft 6017 with 65161
6019	20932	Feed Rock Shaft Crank with 193F
156F	20932	Feed Rock Shaft Crank Position Screw
193F	20932	Feed Rock Shaft Crank Set Screw
6440	20931	Guide (roller) Nos. 1852 and 6441
6441	20931	Guide Bracket
1852	20931	Guide Roller and Screw Stud
51224W	20931	Guide Thumb Screw
56898	20933	Machine Driving Pulley (heavy rim, "V" belt groove, outside diam. of belt groove 2.9 in.) with two 435AL
435AL	20933	Machine Driving Pulley Set Screw (2)
4264	20934	Needle Bar (for round shank needle)
3045	20934	Needle Bar Connecting Link
56773		Needle Bar Connecting Link 3045 with 2052
377C	20934	Needle Bar Connecting Link Hinge Screw
1518J	20934	Needle Bar Connecting Link Hinge Screw Nut
2052	20934	Needle Bar Connecting Stud with 155C
155C	20934	Needle Bar Connecting Stud Set Screw
290E	20934	Needle Bar Screw Bushing (lower)
290E	20934	Needle Bar Screw Bushing (upper)
7524	20934	Needle Clamp with 196F, 651J and 7525
7525	20934	Needle Clamp Thread Guide
651J	20934	Needle Clamp Thread Guide Screw
196F	20934	Needle Clamp Screw
6022	20929	Oscillating Rock Shaft with 4784
16806		Oscillating Rock Shaft 6022 with 65131
65130	20929	Oscillating Rock Shaft Hinge Pin
65131		Oscillating Rock Shaft Hinge Pin 65130 with 1513J
1513J	20929	Oscillating Rock Shaft Hinge Pin Nut
4784	20929	Oscillating Rock Shaft Oil Pad
6023	20929	Oscillating Shaft
65005		Oscillating Shaft 6023 with 2049, 6056 and 16870

## PARTS FOR MACHINE No. 17-41

No.	Plate	Name
6056		Oscillating Shaft Crank with 460AL and 1813
6024	20929	Oscillating Shaft Crank with 1813 and two 462AL (for Agents only)
2049		Oscillating Shaft Crank Pin
1813	20929	Oscillating Shaft Crank Roller and Stud
462AL	20929	Oscillating Shaft Crank Set Screw (for 6024) (2)
460AL		Oscillating Shaft Crank Set Screw (for 6056)
2058	20934	Presser Bar
52016	20934	Presser Bar Lifter
689C	20934	Presser Bar Lifter Screw
1520J	20934	Presser Bar Lifter Screw Nut
5608	20934	Presser Bar Lifter Bracket with 453AL
453AL	20934	Presser Bar Lifter Bracket Set Screw
7170	20933	Presser Bar Lifter Lever
802X	20933	Presser Bar Lifter Lever Hinge Screw
16659	20933	Presser Bar Lifter Lever Spring
290E	20934	Presser Bar Screw Bushing
2308	20934	Presser Bar Spring
2070	20934	Presser Bar Spring Washer
65163	20931	Presser Foot (narrow toe)
65164	20931	Presser Foot (wide toe)
NOTE: Presser Feet Nos. 65163 and 65164 are sent with this Machine unless another Presser Foot is specified on order.		
2183	20936	Presser Foot
190J	20934	Presser Foot Screw
262J	20934	Pressure Regulating Thumb Screw
1868	20936	Roller, 7/8 in. diam., coarse, with 652D and 1528J (for 2196)
1841	20931	Roller, 7/8 in. diam., fine, with 652D and 1528J (for 2197)
2203	20931	Roller Arm
440F	20931	Roller Arm Adjusting Screw
15446		Roller Arm Adjusting Screw 440F with 1547J
1547J	20931	Roller Arm Adjusting Screw Nut
2206	20931	Roller Arm Bracket
316F	20931	Roller Arm Bracket Screw Center (2)
15444		Roller Arm Bracket Screw Center 316F with 1547J (2)
1547J	20931	Roller Arm Bracket Screw Center Nut (2)
2205	20931	Roller Arm Lock Spring
176J	20931	Roller Arm Lock Spring Screw
1549J	20931	Roller Arm Lock Spring Screw Nut
2196	20936	Roller Presser complete, 7/8 in. diam., 9/64 in. face, coarse roller, Nos. 176J, 1549J, 1868, 2203, 2205, 2206, 15446 and two 15444
2197	20931	Roller Presser complete, 7/8 in. diam., 9/64 in. face, fine roller, Nos. 176J, 1549J, 1841, 2203, 2205, 2206, 15446 and two 15444
NOTE: No. 2197 is sent with this Machine unless another Roller Presser is specified on order.		
190J	20934	Roller Presser Screw
652D	20931	Roller Screw
1528J	20931	Roller Screw Nut
2073	20935	Shuttle Bobbin
2211	20935	Shuttle Bobbin Retaining Spring
2212	20935	Shuttle Bobbin Retaining Spring Rivet (2)
6058	20935	Shuttle Body with 398E, 2082, 2084, 2211 and two 2212
*15458		Shuttle Cover
125017	20935	Shuttle Cover 15458 with 112E, 466AL, 2078, 2080, 2086 and 2090
2076	20935	Shuttle Cover Hinge Pin
2078	20935	Shuttle Delivery Eye Thread Guard
2080	20935	Shuttle Delivery Eye Thread Guard Rivet
2082	20935	Shuttle Main Spring
398E		Shuttle Main Spring Screw

No.	Plate	Name
2084	.....	Shuttle Main Spring Steady Pin.....
466AL	20935	Shuttle Tension Regulating Screw.....
2086	20935	Shuttle Tension Spring.....
2090	20935	Shuttle Tension Spring Plate.....
112E	20935	Shuttle Tension Spring Screw.....
16892	20935	Shuttle (high point) Nos. 2073, 2076, 6058 and 125017.....
16870	20929	Shuttle Driver and Feed Lifting Cam.....
2049	20929	Shuttle Driver Pin.....
65165	20935	Shuttle Race Body.....
65166	.....	Shuttle Race Body 65165 with 50362J and 65169.....
65167	20935	Shuttle Race complete, Nos. 16689, 65166, 65168 and two each 175F and 30250J.....
65168	20935	Shuttle Race Ring.....
16688	20935	Shuttle Race Ring Cover.....
16689	.....	Shuttle Race Ring Cover 16688 with 16242 and two 725J.....
16242	20935	Shuttle Race Ring Cover Latch.....
725J	20935	Shuttle Race Ring Cover Latch Screw (2).....
50250J	20935	Shuttle Race Ring Cover Screw (2).....
175F	20935	Shuttle Race Ring Screw (2).....
65169	20935	Shuttle Race Thread Protector.....
50362J	20935	Shuttle Race Thread Protector Screw.....
50258J	20935	Shuttle Race Screw (4).....
2102	20930	Tension Disc (2).....
1560C	20930	Tension Regulating Thumb Nut.....
4369	20930	Tension Releaser.....
2269	20930	Tension Releaser Hinge Pin.....
600C	20930	Tension Screw Stud.....
16202	.....	Tension Screw Stud 600C with 1560C.....
448AL	20930	Tension Screw Stud Set Screw.....
2103	20930	Tension Spring.....
2105	20930	Tension Thread Guard.....
56791	20930	Tension complete, Nos. 2103, 2124, 16202 and two 2102.....
2112	20930	Thread Retaining Disc with 2113.....
2113	20930	Thread Retaining Disc Steady Pin.....
2114	20930	Thread Retaining Spring.....
2115	20930	Thread Retaining Stud.....
460AL	20930	Thread Retaining Stud Set Screw.....
2111	.....	Thread Retainer Guide complete, Nos. 2112, 2114 and 2115.....
65128	.....	Thread Take-up Cam.....
65129	20929	Thread Take-up Cam 65128 with 446AL.....
3012	.....	Thread Take-up Cam Pin.....
446AL	20929	Thread Take-up Cam Set Screw.....
3072	20929	Thread Take-up Lever with 1819.....
56855	.....	Thread Take-up Lever 3072 with 1088C.....
1088C	20929	Thread Take-up Lever Hinge Screw.....
889AL	20929	Thread Take-up Lever Hinge Screw Set Screw.....
1819	20929	Thread Take-up Lever Roller and Stud.....
2124	20930	Thread Take-up Spring.....
2127	20930	Thread Take-up Spring Regulator Plate.....
233J	20930	Thread Take-up Spring Regulator Plate Adjusting Screw.....
65170	20931	Throat Plate for 65160.....
NOTE: Throat Plate No. 65170 is sent with this Machine unless another Throat Plate is specified on order.		
6042	20936	Throat Plate for 65159.....
6049	20931	Throat Plate Holder for 65170.....
6046	20936	Throat Plate Holder for 6042.....
65171	.....	Throat Plate Holder 6049 with 65170.....
6047	.....	Throat Plate Holder 6046 with 6042.....
6048	20936	Throat Plate Holder Extension for 6046.....
401J	20936	Throat Plate Holder Extension Screw (2).....
171AL	20931	Throat Plate Holder Screw (2).....
6053	20937	Drip Pan.....

## ACCESSORIES

No.	Plate	Name
51072R	20937	Machine Bolt with 51581E (4).....
51581E	20937	Machine Bolt Nut (4).....
6055	20937	Machine Bolt Washer (4).....
120342	20937	Oiler with 120343.....
120343	20937	Oiler Spout.....
26026	20937	Screw Driver (large).....
26485	20937	Screw Driver (small).....
2073	20935	Shuttle Bobbin (2).....
8908	20937	Wrench for 1520.....
4347	20937	Wrench for 1513 and 1518.....
4822	20937	Wrench for 1528, 1547 and 1549.....

## BOBBIN WINDER

## (TIGHT WHEEL)

15072	20938	Bobbin Position Pin.....
5522	20938	Frame.....
2460	20938	Friction Ring (rubber).....
2461	20938	Pulley.....
2462	20938	Spindle with 15072.....
2463	.....	Spindle 2462 with 2461.....
2464	20938	Spring.....
5521	20938	Bobbin Winder complete, Nos. 2460, 2463 and 5522.....
46D	20938	Bobbin Winder Hinge Screw.....

## FOOT LIFTER PARTS

6439	20939	Chain, 36 in. to 45 in., with 56864 and 56865.....
NOTE: When ordering No. 6439, give length required.		
4879	20939	Chain Connecting Link.....
56864	20939	Chain Hook (large).....
56865	20939	Chain Hook (small).....
4881	20939	Treadle.....
4882	20939	Treadle Shaft.....
4883	20939	Treadle Spring.....
4884	20939	Treadle Stand.....
4885	20939	Treadle complete, Nos. 4879, 4881, 4882, 4883, 4884 and two wood screws 1 in. No. 16.....
6344	.....	Foot Lifter complete, Nos. 802X, 4885, 6439, 7170 and 16659.....

## KNEE LIFTER PARTS

No.	Plate	Name
6333	20940	Pitman.....
2763	20940	Rock Shaft.....
6334	20940	Rock Shaft Hanger with two wood screws 1 in. No. 10 (2).....
16646	20940	Rock Shaft Knee Arm.....
16647	.....	Rock Shaft Knee Arm complete, Nos. 2766, 2767 and 16646.....
2766	20940	Rock Shaft Knee Arm Hub with 356C.....
356C	20940	Rock Shaft Knee Arm Set Screw.....
2767	20940	Rock Shaft Knee Plate with 356C.....
356C	20940	Rock Shaft Knee Plate Set Screw.....
6337	20940	Rock Shaft Lifting Bracket with two 356C.....
356C	20940	Rock Shaft Lifting Bracket Set Screw.....
6338	20940	Rock Shaft Lifting Bracket Hook.....
356C	20940	Rock Shaft Lifting Bracket Hook Set Screw.....
2770	20940	Rock Shaft Stop Dog with 140219C.....
140219C	20940	Rock Shaft Stop Dog Set Screw.....
6339	20940	Rock Shaft complete, Nos. 2763, 2770, 6337, 6338, 16647 and two 6334.....
6330	.....	Knee Lifter complete, Nos. 802X, 6333, 6339, 7170 and 16659.....

## MACHINE BASE

7169	20937	Machine Base with four each 6055, 51070E and wood screws 1 in. No. 12.....
51070E	20937	Machine Bolt with 51581E, to secure machine to base (4).....
51581E	20937	Machine Bolt Nut (4).....
6055	20937	Machine Bolt Nut Washer (4).....

## NUMERICAL LIST OF PARTS

No.	Plate	Name
46D	20938	Bobbin Winder Hinge Screw.....
112E	20935	Shuttle Tension Spring Screw for 125017.....
123E	20929	Arm Screw (3).....
144D	20929	Arm Shaft Screw.....
145E	20929	Crank Connecting Rod Cap Screw for 4292 (2).....
155C	20934	Needle Bar Connecting Stud Set Screw for 2052.....
156F	20932	Feed Rock Shaft Crank Position Screw.....
164J	20930	Face Plate Screw.....
171AL	20931	Throat Plate Holder Screw (2).....
175F	20935	Shuttle Race Ring Screw for 65167 (2).....
176J	20931	Roller Arm Lock Spring Screw for 2196 and 2197.....
190J	20932	Feed Regulator Lever Friction Plate Screw for 6809.....
190J	20934	Presser Foot Screw.....
190J	20934	Roller Presser Screw.....
193F	20932	Feed Rock Shaft Crank Set Screw for 6019.....
196F	20934	Needle Clamp Screw for 7524.....
207J	20932	Feed Regulator Lever Set Screw for 6808.....
225C	20932	Feed Dog Screw.....
233J	20930	Face Plate Thread Eyelet Screw for 65044.....
233J	20930	Thread Take-up Spring Regulator Plate Adjusting Screw for 65044.....
262J	20934	Pressure Regulating Thumb Screw.....
290E	20934	Needle Bar Screw Bushing (lower).....
290E	20934	Needle Bar Screw Bushing (upper).....
290E	20934	Presser Bar Screw Bushing.....
316F	20931	Roller Arm Bracket Screw Center for 15444 (2).....
330J	20932	Feed Regulator Lever Segment Screw (2).....
356C	20940	Knee Lifter Rock Shaft Knee Arm Set Screw for 2766.....
356C	20940	Knee Lifter Rock Shaft Knee Plate Set Screw for 2767.....
356C	20940	Knee Lifter Rock Shaft Lifting Bracket Set Screw for 6337.....
356C	20940	Knee Lifter Rock Shaft Lifting Bracket Hook Set Screw for 6337.....
375C	20929	Crank Connecting Rod Hinge Screw.....
375C	20932	Feed Connecting Link Hinge Screw for 16808 (2).....
375C	20932	Feed Forked Connection Hinge Screw.....
377C	20934	Needle Bar Connecting Link Hinge Screw.....
398E	.....	Shuttle Main Spring Screw for 6058.....
401J	20936	Throat Plate Holder Extension Screw (2).....
435AL	20933	Machine Driving Pulley Set Screw for 56898 (2).....
440F	20931	Roller Arm Adjusting Screw for 15446.....
446AL	20929	Feed Cam Set Screw for 3032.....
446AL	20929	Thread Take-up Cam Set Screw for 65129.....
448AL	20929	Arm Shaft Bushing (back) Set Screw.....
448AL	20932	Feed Regulator Crank Set Screw for 5544 (2).....
448AL	20930	Tension Screw Stud Set Screw for 65044.....
453AL	20934	Presser Bar Lifter Bracket Set Screw for 5608.....
460AL	.....	Oscillating Shaft Crank Set Screw for 6056.....
460AL	20930	Thread Retaining Stud Set Screw for 65044.....
462AL	20929	Oscillating Shaft Crank Set Screw for 6024 (2).....
463AL	20930	Face Plate Thread Eyelet Set Screw for 65044.....
466AL	20935	Shuttle Tension Regulating Screw for 125017.....
600C	20930	Tension Screw Stud for 16202.....
651J	20934	Needle Clamp Thread Guide Screw for 7524.....
652D	20931	Roller Screw for 1841 and 1868.....
689C	20934	Presser Bar Lifter Screw.....
725J	20935	Shuttle Race Ring Cover Latch Screw for 16689 (2).....
732D	20932	Feed Regulator Lever Adjusting Thumb Screw.....
732D	20932	Feed Regulator Lever Friction Plate Thumb Screw.....
802X	20933	Presser Bar Lifter Lever Hinge Screw for 6330 and 6344.....
889AL	20929	Thread Take-up Lever Hinge Screw Set Screw.....



## NUMERICAL LIST OF PARTS

No.	Plate	Name
1088C	20929	Thread Take-up Lever Hinge Screw for 56855.....
1513J	20929	Oscillating Rock Shaft Hinge Pin Nut for 65131.....
1518J	20929	Crank Connecting Rod Hinge Screw Nut.....
1518J	20932	Feed Connecting Link Hinge Screw Nut for 16808 (2).....
1518J	20932	Feed Forked Connection Hinge Screw Nut.....
1518J	20934	Needle Bar Connecting Link Hinge Screw Nut.....
1520J	20934	Presser Bar Lifter Screw Nut.....
1528J	20931	Roller Screw Nut for 1841 and 1868.....
1547J	20931	Roller Arm Adjusting Screw Nut for 15446.....
1547J	20931	Roller Arm Bracket Screw Center Nut for 15444 (2).....
1549J	20931	Roller Arm Lock Spring Screw Nut for 2196 and 2197.....
1560C	20930	Tension Regulating Thumb Nut for 16202.....
1584E	20932	Feed Regulator Lever Adjusting Thumb Screw Nut.....
1813	20929	Oscillating Shaft Crank Roller and Stud for 6024 and 6056.....
1819	20929	Thread Take-up Lever Roller and Stud for 3072.....
1841	20931	Roller, 7/8 in. diam., fine, with 652D and 1528J, for 2197.....
1852	20931	Guide Roller and Screw Stud for 6440.....
1868	20936	Roller, 7/8 in. diam., coarse, with 652D and 1528J, for 2196.....
2049	20932	Feed Regulator Lever Pin.....
2049	.....	Oscillating Shaft Crank Pin for 65005.....
2049	20929	Shuttle Driver Pin.....
2052	20934	Needle Bar Connecting Stud with 155C, for 56773.....
2058	20934	Presser Bar.....
2070	20934	Presser Bar Spring Washer.....
2073	20935	Shuttle Bobbin for 16892.....
2073	20935	Shuttle Bobbin (Accessories) (2).....
2076	20935	Shuttle Cover Hinge Pin for 16892.....
2078	20935	Shuttle Delivery Eye Thread Guard for 125017.....
2080	20935	Shuttle Delivery Eye Thread Guard Rivet for 125017.....
2082	20935	Shuttle Main Spring for 6058.....
2084	.....	Shuttle Main Spring Steady Pin for 6058.....
2086	20935	Shuttle Tension Spring for 125017.....
2090	20935	Shuttle Tension Spring Plate for 125017.....
2102	20930	Tension Disc for 56791 (2).....
2103	20930	Tension Spring for 56791.....
2105	20930	Tension Thread Guard for 65043.....
2107	20930	Face Plate Thread Eyelet for 65044.....
2111	.....	Thread Retainer Guide complete, for 65044, Nos. 2112, 2114 and 2115.....
2112	20930	Thread Retaining Disc with 2113, for 2111.....
2113	20930	Thread Retaining Disc Steady Pin for 2112.....
2114	20930	Thread Retaining Spring for 2111.....
2115	20930	Thread Retaining Stud for 2111.....
2124	20930	Thread Take-up Spring for 56791.....
2127	20930	Thread Take-up Spring Regulator Plate for 65044.....
2183	20936	Presser Foot.....
2196	20936	Roller Presser complete, 7/8 in. diam., 9/64 in. face, coarse roller, Nos. 176J, 1549J, 1868, 2203, 2205, 2206, 15446 and two 15444.....
2197	20931	Roller Presser complete, 7/8 in. diam., 9/64 in. face, fine roller, Nos. 176J, 1549J, 1841, 2203, 2205, 2206, 15446 and two 15444.....
NOTE: No. 2197 is sent with this Machine unless another Roller Presser is specified on order.		
2203	20931	Roller Arm for 2196 and 2197.....
2205	20931	Roller Arm Lock Spring for 2196 and 2197.....
2206	20931	Roller Arm Bracket for 2196 and 2197.....
2211	20935	Shuttle Bobbin Retaining Spring for 6058.....
2212	20935	Shuttle Bobbin Retaining Spring Rivet for 6058 (2).....
2269	20930	Tension Releaser Hinge Pin for 65044.....
2308	20934	Presser Bar Spring.....
2460	20938	Bobbin Winder Friction Ring (rubber) for 5521.....

## NUMERICAL LIST OF PARTS

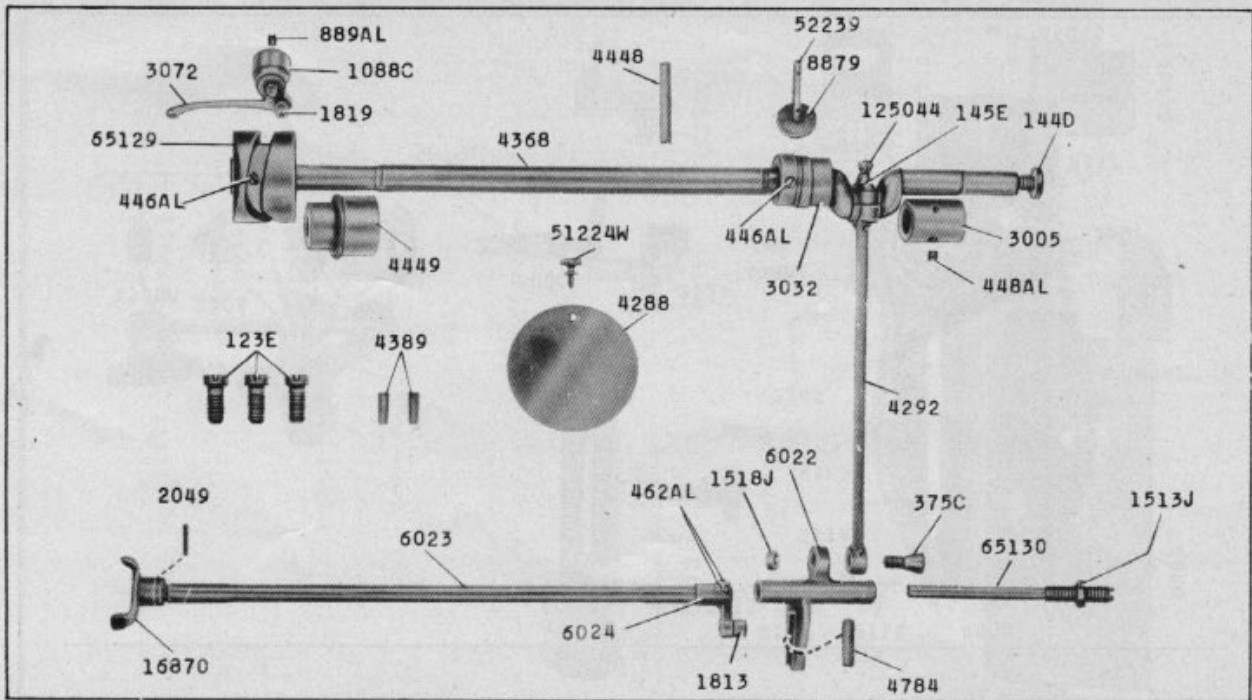
No.	Plate	Name
2461	20938	Bobbin Winder Pulley for 2463.....
2462	20938	Bobbin Winder Spindle with 15072, for 2463.....
2463	.....	Bobbin Winder Spindle 2462 with 2461, for 5521.....
2464	20938	Bobbin Winder Spring.....
2763	20940	Knee Lifter Rock Shaft for 6339.....
2766	20940	Knee Lifter Rock Shaft Knee Arm Hub with 356C, for 16647.....
2767	20940	Knee Lifter Rock Shaft Knee Plate with 356C, for 16647.....
2770	20940	Knee Lifter Rock Shaft Stop Dog with 140219C, for 6339.....
3005	20929	Arm Shaft Bushing (back).....
3012	.....	Thread Take-up Cam Pin.....
3032	20929	Feed Cam with 446AL, for 65072.....
3045	20934	Needle Bar Connecting Link for 56773.....
3072	20929	Thread Take-up Lever with 1819, for 56855.....
3146	20932	Feed Regulator Lever Adjusting Thumb Screw Nut Washer.....
4264	20934	Needle Bar (for round shank needle).....
4288	20929	Arm Side Cover.....
4292	20929	Crank Connecting Rod with 125044 and two 145E.....
4347	20937	Wrench for 1513 and 1518 (Accessories).....
4368	20929	Arm Shaft for 65072.....
4369	20930	Tension Releaser for 65044.....
4389	20929	Arm Dowel Pin (2).....
4448	20929	Arm Oil Tube (for intermediate bearing) for 16687.....
4449	20929	Arm Shaft Bushing (front) for 16687.....
4784	20929	Oscillating Rock Shaft Oil Pad for 6022.....
4822	20937	Wrench for 1528, 1547 and 1549 (Accessories).....
4879	20939	Foot Lifter Chain Connecting Link for 4885.....
4881	20939	Foot Lifter Treadle for 4885.....
4882	20939	Foot Lifter Treadle Shaft for 4885.....
4883	20939	Foot Lifter Treadle Spring for 4885.....
4884	20939	Foot Lifter Treadle Stand for 4885.....
4885	20939	Foot Lifter Treadle complete, for 6344, Nos. 4879, 4881, 4882, 4883, 4884 and two wood screws 1 in. No. 16.....
5521	20938	Bobbin Winder (tight wheel) complete, Nos. 2460, 2463, and 5522.....
5522	20938	Bobbin Winder Frame for 5521.....
5544	20932	Feed Regulator Crank with two 448AL, for 16808.....
5550	20932	Feed Regulator Lever Shaft.....
5608	20934	Presser Bar Lifter Bracket with 453AL.....
6017	20932	Feed Rock Shaft for 65162.....
6019	20932	Feed Rock Shaft Crank with 193F.....
6022	20929	Oscillating Rock Shaft with 4784, for 16806.....
6023	20929	Oscillating Shaft for 65005.....
6024	20929	Oscillating Shaft Crank with 1813 and two 462AL (for Agents only).....
6042	20936	Throat Plate for 6047, for use with 65159.....
6046	20936	Throat Plate Holder for 6047, for use with 6042.....
6047	.....	Throat Plate Holder 6046 with 6042.....
6048	20936	Throat Plate Holder Extension for 6046.....
6049	20931	Throat Plate Holder for 65171, for use with 65170.....
6053	20937	Drip Pan.....
6055	20937	Machine Bolt Nut Washer for 7169 (4).....
6055	20937	Machine Bolt Washer (Accessories) (4).....
6056	.....	Oscillating Shaft Crank with 460AL and 1813, for 65005.....
6058	20935	Shuttle Body with 398E, 2082, 2084, 2211 and two 2212, for 16892.....
6330	.....	Knee Lifter complete, Nos. 802X, 6333, 6339, 7170 and 16659.....
6333	20940	Knee Lifter Pitman for 6330.....
6334	20940	Knee Lifter Rock Shaft Hanger with two wood screws 1 in. No. 10, for 6339 (2).....
6337	20940	Knee Lifter Rock Shaft Lifting Bracket with two 356C, for 6339.....
6338	20940	Knee Lifter Rock Shaft Lifting Bracket Hook for 6339.....

## NUMERICAL LIST OF PARTS

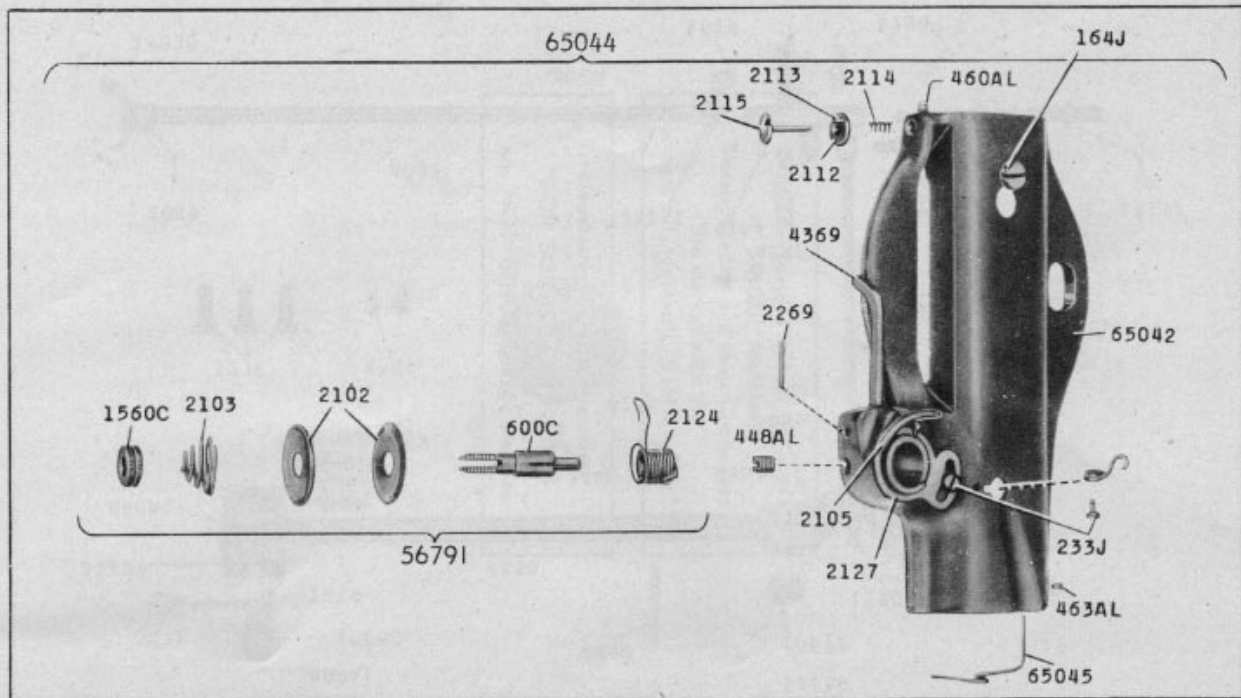
No.	Plate	Name
6339	20940	Knee Lifter Rock Shaft complete, for 6330, Nos. 2763, 2770, 6337, 6338, 16647 and two 6334.
6344	.....	Foot Lifter complete, Nos. 802X, 4885, 6439, 7170 and 16659.
6439	20939	Foot Lifter Chain, 36 in. to 45 in., with 56864 and 56865, for 6344.
		NOTE: When ordering No. 6439, give length required.
6440	20931	Guide (roller) Nos. 1852 and 6441.
6441	20931	Guide Bracket for 6440.
6808	20932	Feed Regulator Lever with 207J, for 6809.
6809	.....	Feed Regulator Lever complete, Nos. 190J, 6808 and 6810.
6810	20932	Feed Regulator Lever Friction Plate for 6809.
7169	20937	Machine Base with four each 6055, 51070E and wood screws 1 in. No. 12.
7170	20933	Presser Bar Lifter Lever for 6330 and 6344.
7524	20934	Needle Clamp with 196F, 651J and 7525.
7525	20934	Needle Clamp Thread Guide for 7524.
8879	20929	Arm Spool Pin Washer (cloth).
8908	20937	Wrench for 1520 (Accessories).
15072	20938	Bobbin Winder Bobbin Position Pin for 2462.
15444	.....	Roller Arm Bracket Screw Center 316F with 1547J, for 2196 and 2197 (2).
15446	.....	Roller Arm Adjusting Screw 440F with 1547J, for 2196 and 2197.
*15458	.....	Shuttle Cover for 125017.
16202	.....	Tension Screw Stud 600C with 1560C, for 56791.
16242	20935	Shuttle Race Ring Cover Latch for 16689.
16646	20940	Knee Lifter Rock Shaft Knee Arm for 16647.
16647	.....	Knee Lifter Rock Shaft Knee Arm complete, for 6339, Nos. 2766, 2767 and 16646.
16659	20933	Presser Bar Lifter Lever Spring for 6330 and 6344.
16678	20932	Feed Forked Connection for 16808.
*16687	.....	Arm with 4448 and 4449.
16688	20935	Shuttle Race Ring Cover for 16689.
16689	.....	Shuttle Race Ring Cover 16688 with 16242 and two 725J, for 65167.
16713	20932	Feed Regulator Lever Segment.
16806	.....	Oscillating Rock Shaft 6022 with 65131.
16808	.....	Feed Forked Connection complete, Nos. 5544, 16678, 52165 and two each 375C and 1518J.
*16863	.....	Cylinder, 2 7/16 in. diam.
16870	20929	Shuttle Driver and Feed Lifting Cam for 65005.
16892	20935	Shuttle (high point) Nos. 2073, 2076, 6058 and 125017.
26026	20937	Screw Driver (large) Accessories.
26485	20937	Screw Driver (small) Accessories.
50250J	20935	Shuttle Race Ring Cover Screw for 65167 (2).
50258J	20935	Shuttle Race Screw (4).
50362J	20935	Shuttle Race Thread Protector Screw for 65166.
51070E	20937	Machine Bolt with 51581E, to secure Machine to Base, for 7169 (4).
51072R	20937	Machine Bolt with 51581E (Accessories) (4).
51224W	20929	Arm Side Cover Thumb Screw.
51224W	20931	Guide Thumb Screw.
51581E	20937	Machine Bolt Nut for 51070E and 51072R (8).
52016	20934	Presser Bar Lifter.
52165	20932	Feed Connecting Link for 16808.
52239	20929	Arm Spool Pin and Thread Eyelet.
56773	.....	Needle Bar Connecting Link 3045 with 2052.
56791	20930	Tension complete, for 65044, Nos. 2103, 2124, 16202 and two 2102.
56855	.....	Thread Take-up Lever 3072 with 1088C.
56864	20939	Foot Lifter Chain Hook (large) for 6439.
56865	20939	Foot Lifter Chain Hook (small) for 6439.

## NUMERICAL LIST OF PARTS

No.	Plate	Name
56898	20933	Machine Driving Pulley (heavy rim, "V" belt groove, outside diam. of belt groove 2.9 in.) with two 435AL.
65005	.....	Oscillating Shaft 6023 with 2049, 6056 and 16870.
65042	20930	Face Plate for 65043.
65043	.....	Face Plate 65042 with 2105, for 65044.
65044	20930	Face Plate complete, Nos. 448AL, 460AL, 463AL, 2107, 2111, 2127, 2269, 4369, 56791, 65043, 65045 and two 233J.
65045	20930	Face Plate Thread Eyelet for 65044.
65072	.....	Arm Shaft 4368 with 3032 and 65128.
65128	.....	Thread Take-up Cam for 65072 and 65129.
65129	20929	Thread Take-up Cam 65128 with 446AL.
65130	20929	Oscillating Rock Shaft Hinge Pin for 65131.
65131	.....	Oscillating Rock Shaft Hinge Pin 65130 with 1513J, for 16806.
65159	20936	Feed Dog, 10 teeth (16 teeth to the inch) for 6042.
65160	20931	Feed Dog, 13 teeth (21 teeth to the inch) for 65170.
		NOTE: No. 65160 is sent with this Machine unless another Feed Dog is specified on order.
65161	20932	Feed Dog Carrier for 65162.
65162	.....	Feed Rock Shaft 6017 with 65161.
65163	20931	Presser Foot (narrow toe).
		NOTE: Presser Foot No. 65163 is sent with this Machine unless another Presser Foot is specified on order.
65164	20931	Presser Foot (wide toe).
		NOTE: Presser Foot No. 65164 is sent with this Machine unless another Presser Foot is specified on order.
65165	20935	Shuttle Race Body for 65166.
65166	.....	Shuttle Race Body 65165 with 50362J and 65169, for 65167.
65167	20935	Shuttle Race complete, Nos. 16689, 65166, 65168 and two each 175F and 50250J.
65168	20935	Shuttle Race Ring for 65167.
65169	20935	Shuttle Race Thread Protector for 65166.
65170	20931	Throat Plate for 65171, for use with 65160.
		NOTE: Throat Plate No. 65170 is sent with this Machine unless another Throat Plate is specified on order.
65171	.....	Throat Plate Holder 6049 with 65170.
120342	20937	Oiler with 120343 (Accessories).
120343	20937	Oiler Spout for 120342.
125017	20935	Shuttle Cover 15458 with 112E, 466AL, 2078, 2080, 2086 and 2090, for 16892.
125044	20929	Crank Connecting Rod Oil Pad (felt) for 4292.
140219C	20940	Knee Lifter Rock Shaft Stop Dog Set Screw for 2770.

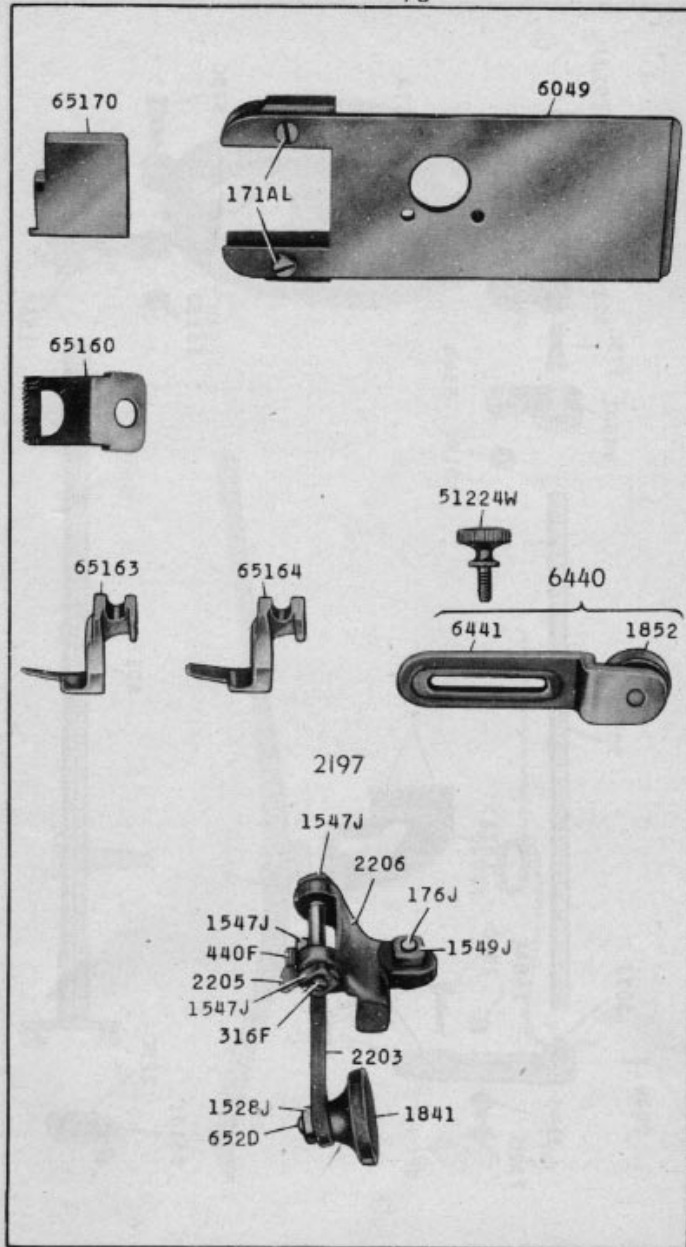


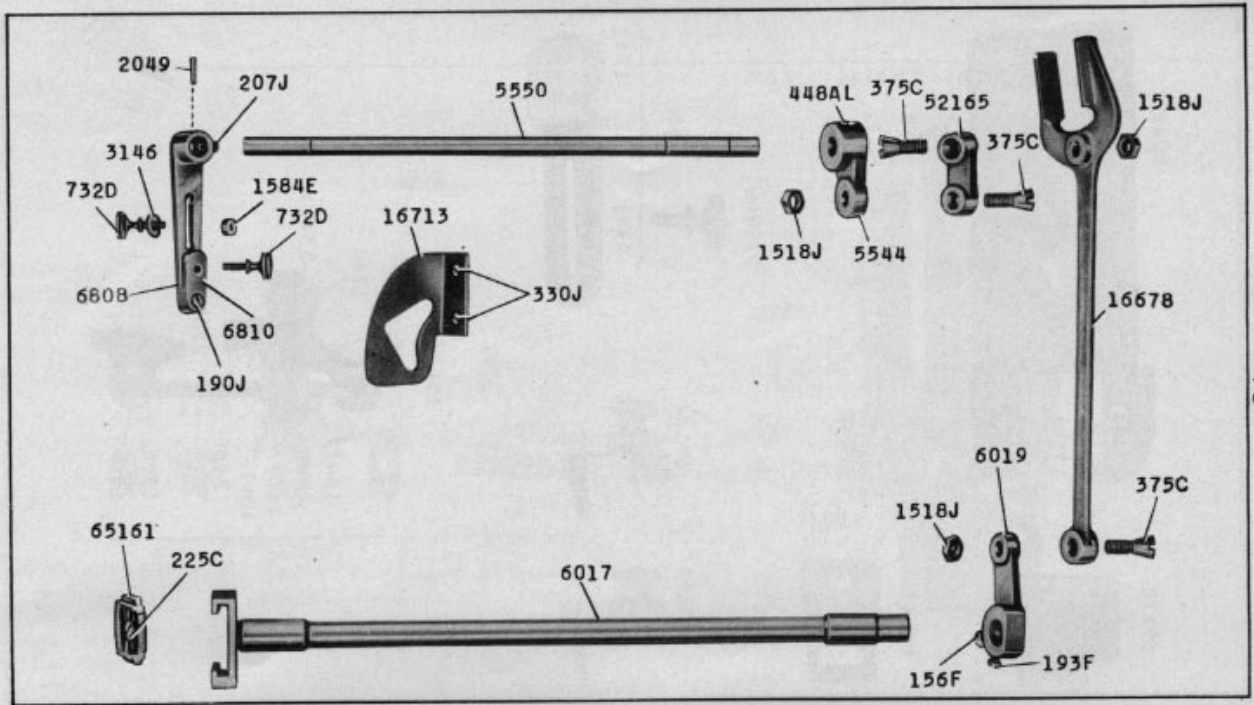
20929-1/4



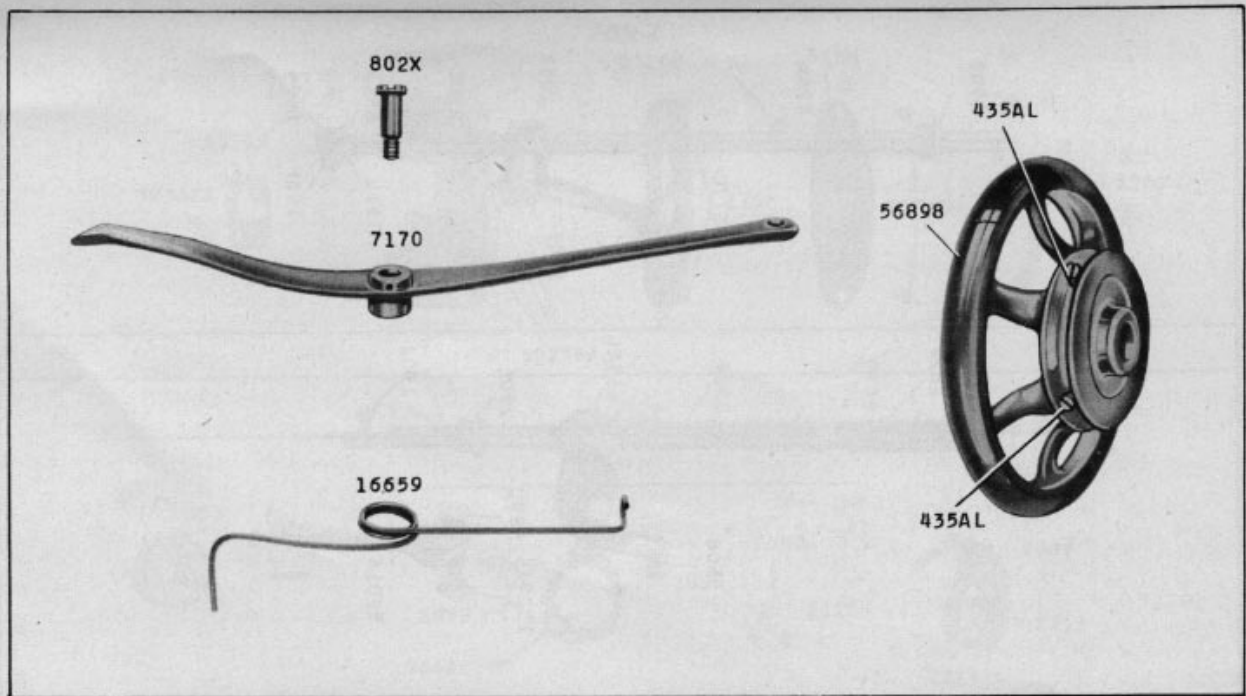
20930-1/2

20931-2/3



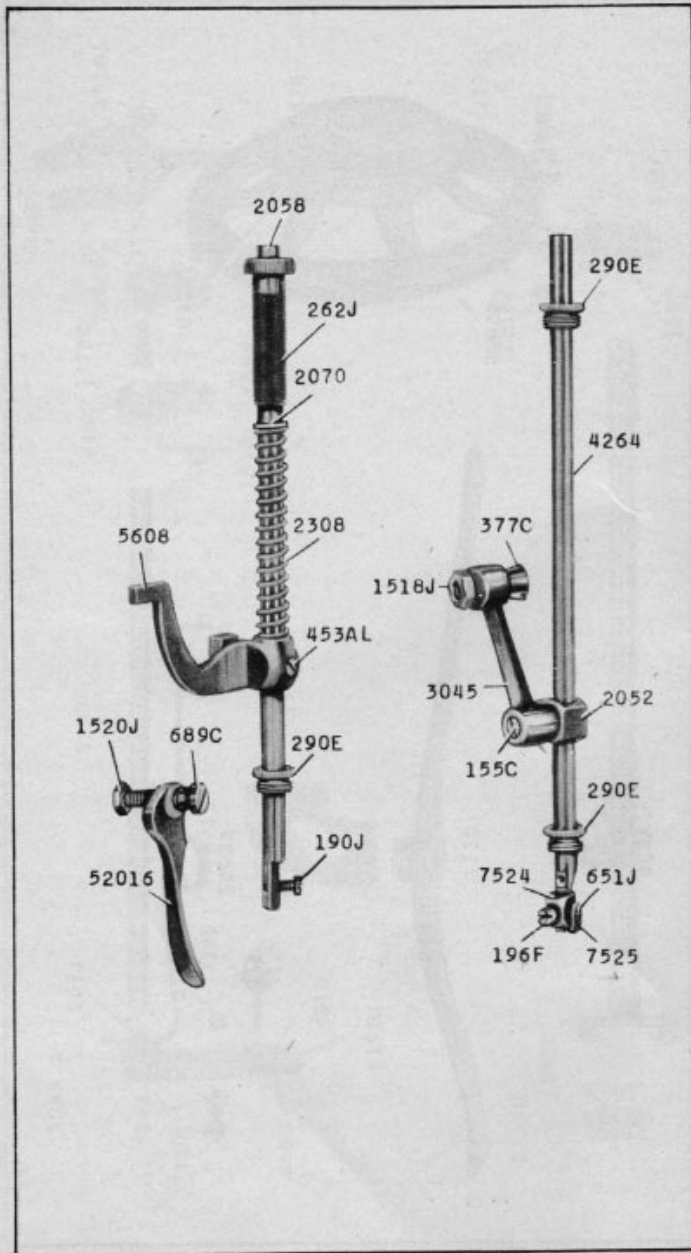


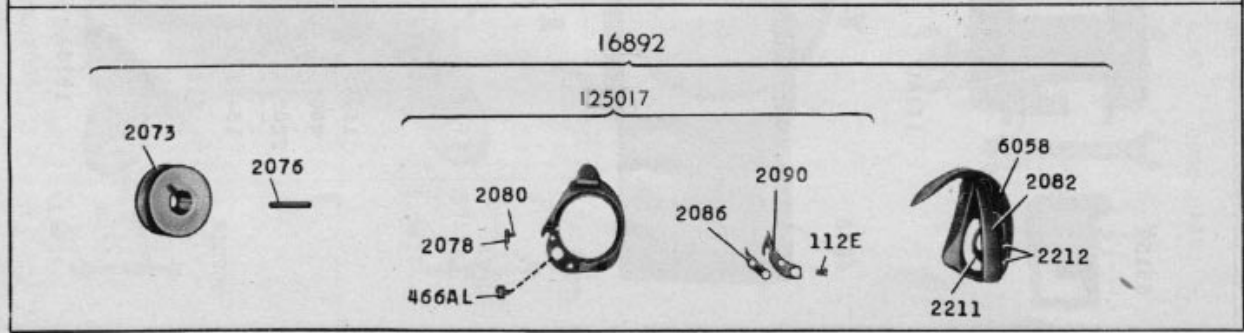
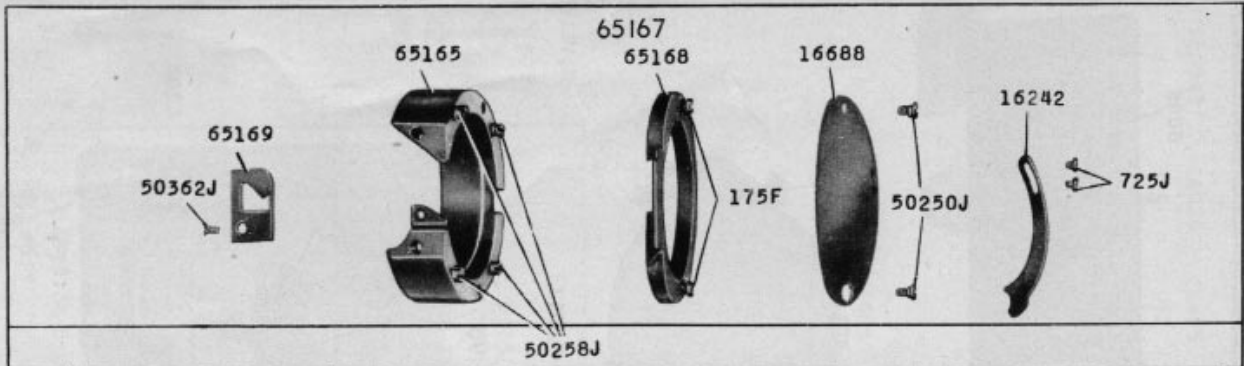
20932-1/3



20933-1/3

20934-1/2

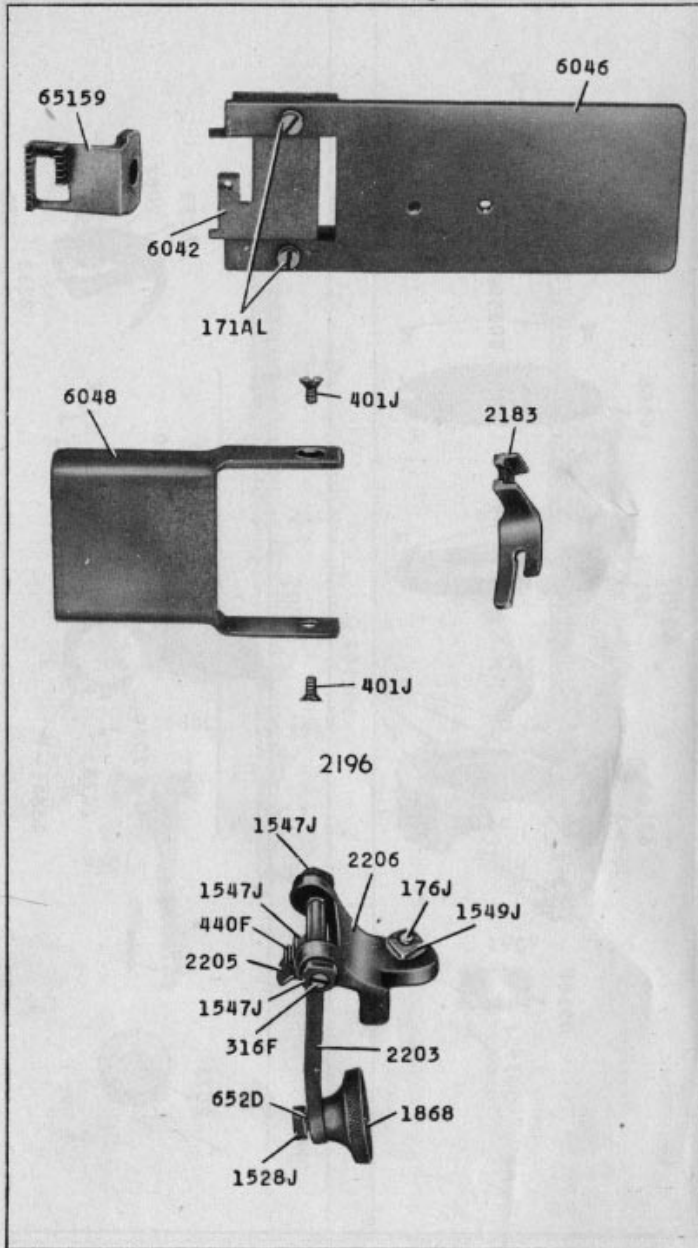




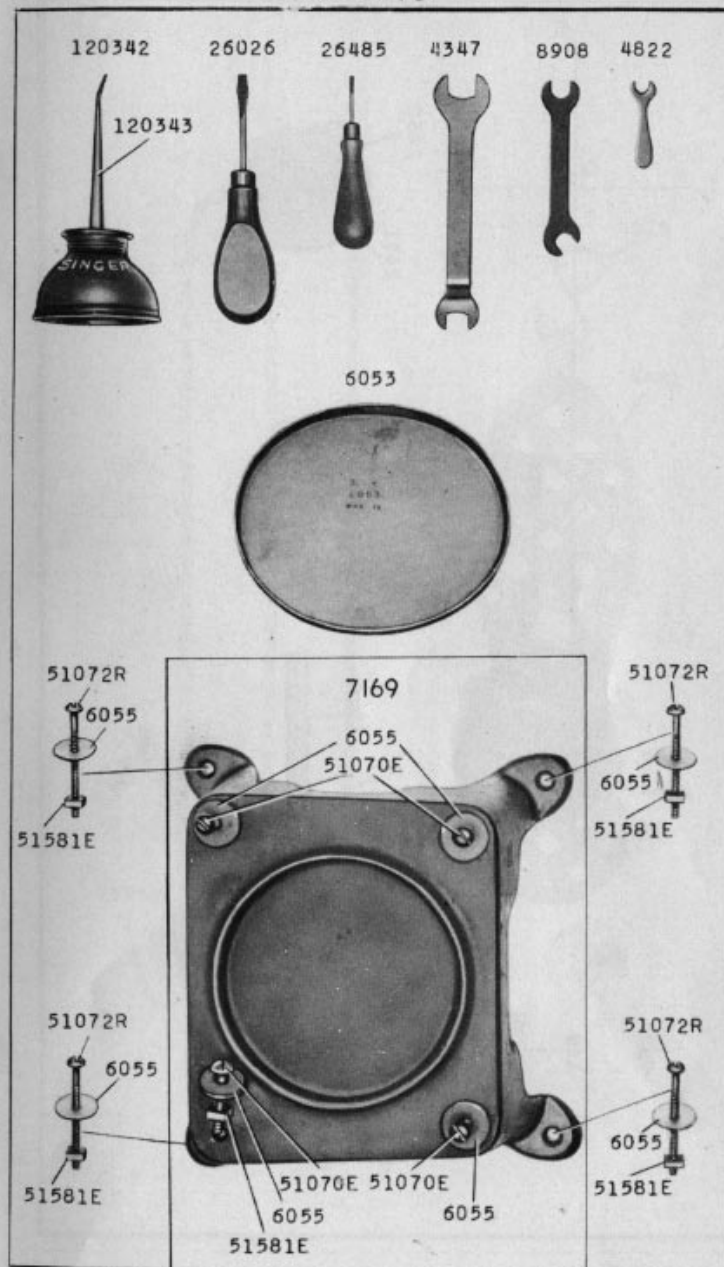
20935-1/2

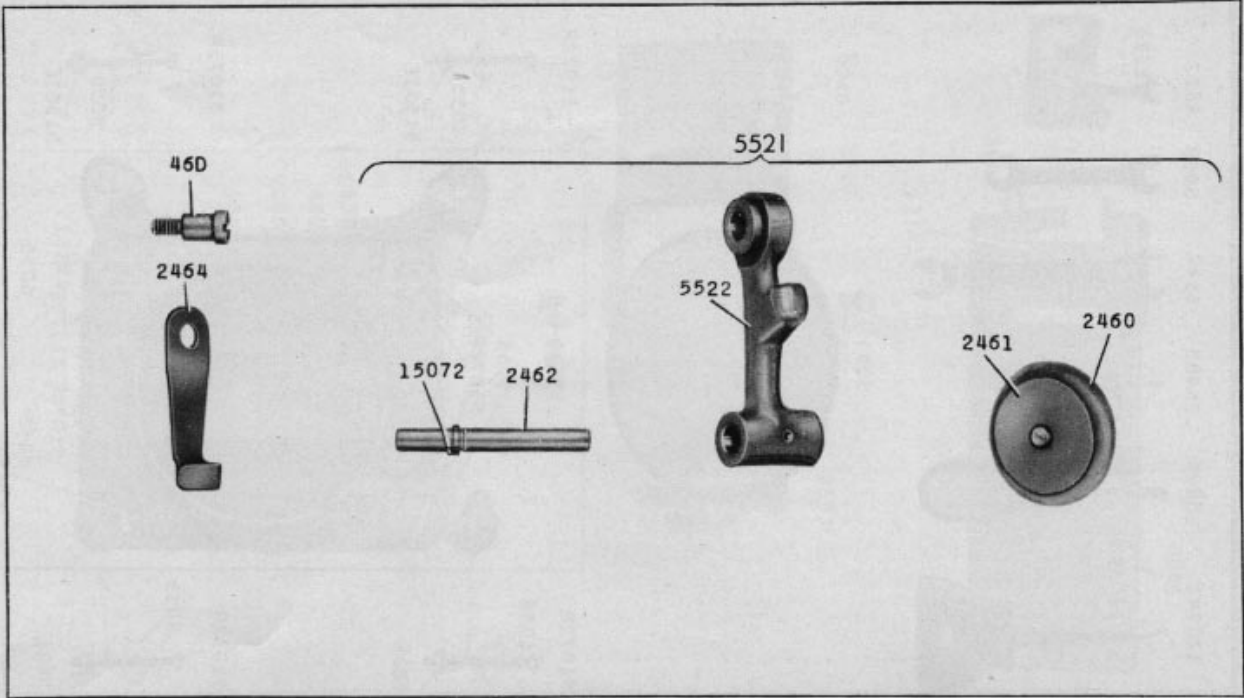


20936-2/3



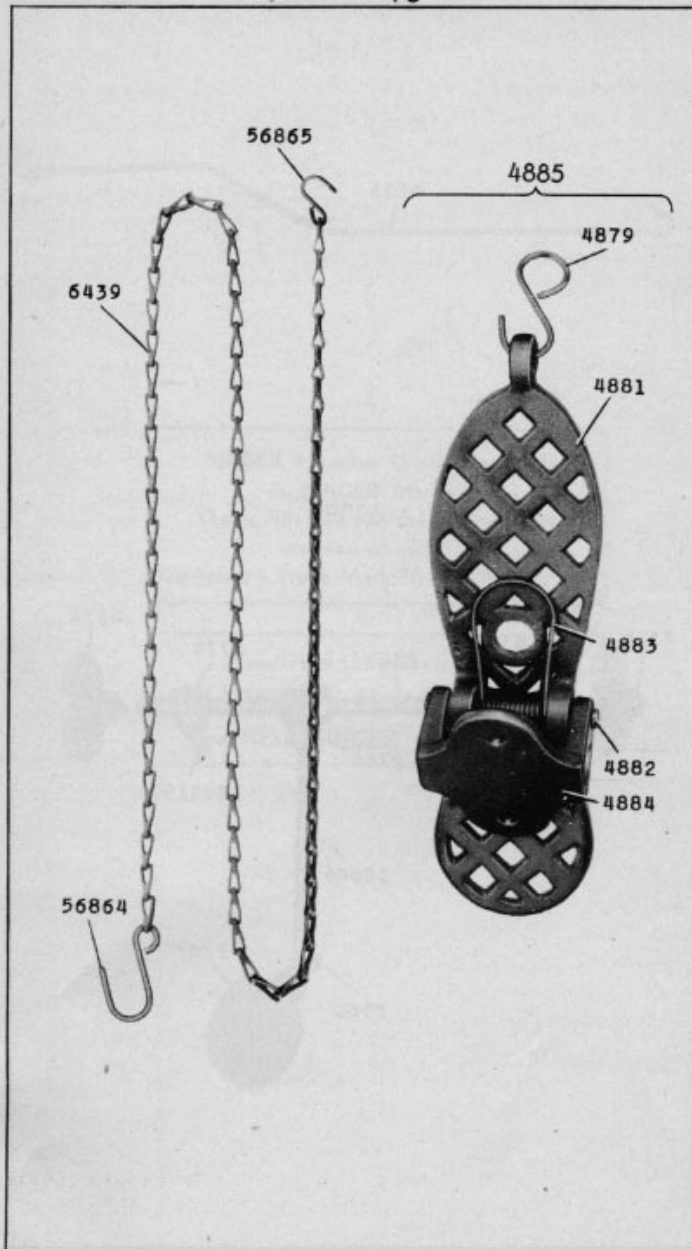
20937-1/3





20938-2/3

20939.1/3



20940-1/3

