

SINGER
136W104

Form 3104w
(1253)
Printed in U. S. A.

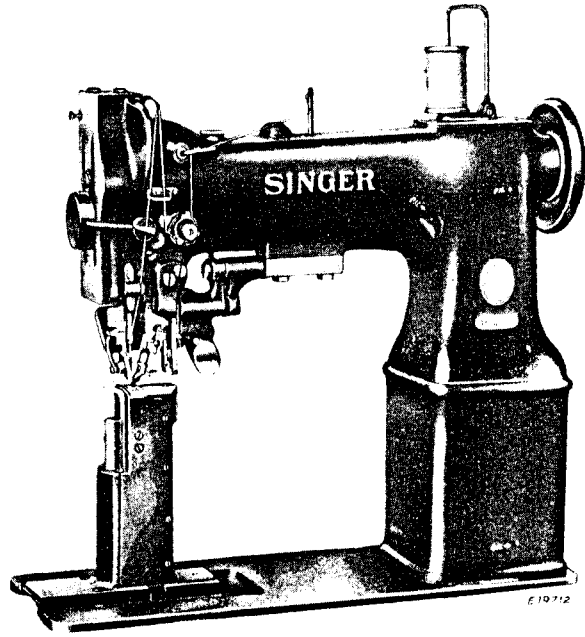
SINGER**

136w104

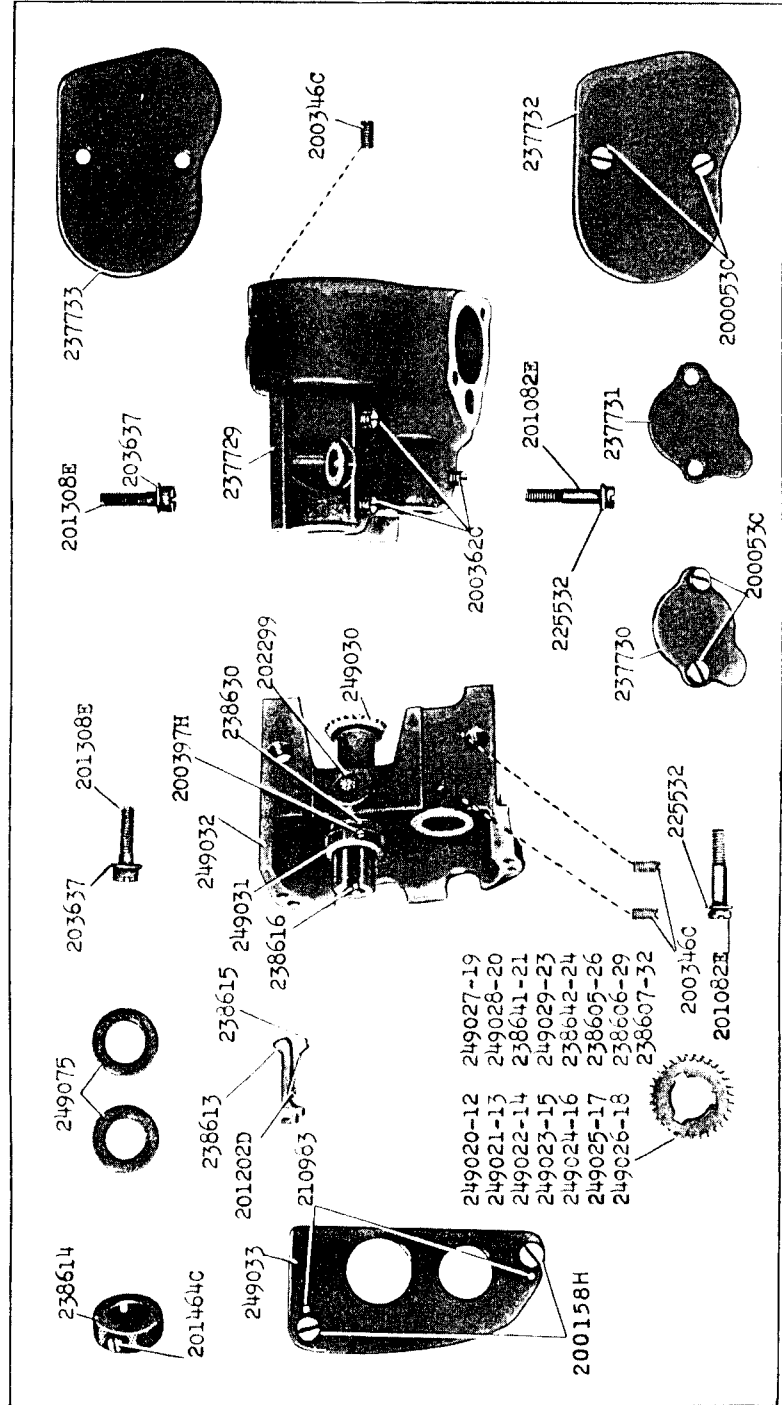


THE SINGER MANUFACTURING COMPANY

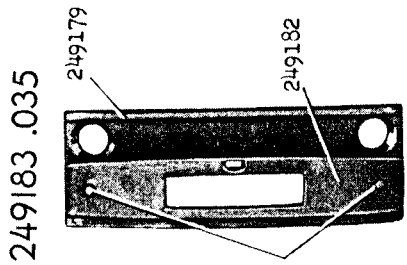
**A Trade Mark of THE SINGER MANUFACTURING COMPANY



Copyright, U. S. A., 1933, 1938, 1939, 1940, 1941, 1949, 1951 and 1954
 by The Singer Manufacturing Company
 All Rights Reserved for all Countries



15749

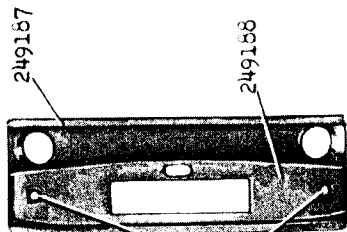


249179

249182

200587D

249189 .045

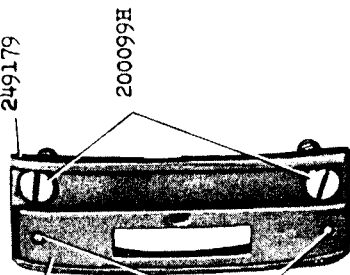


249187

249188

200587D

249181 .045

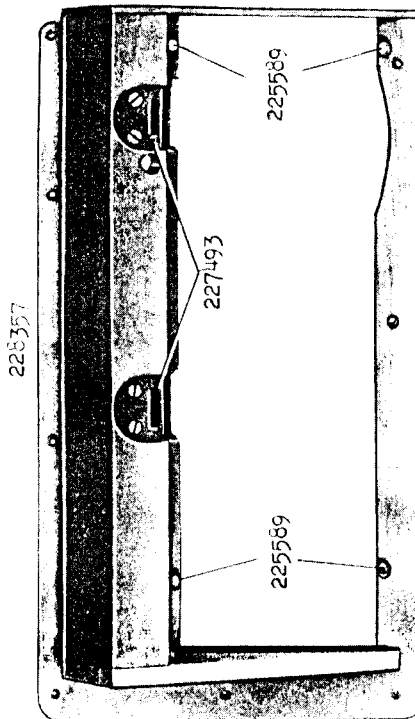


249180

200099H

200587D

15751 - 1/6

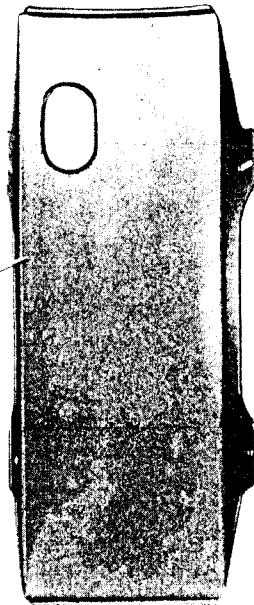


227493

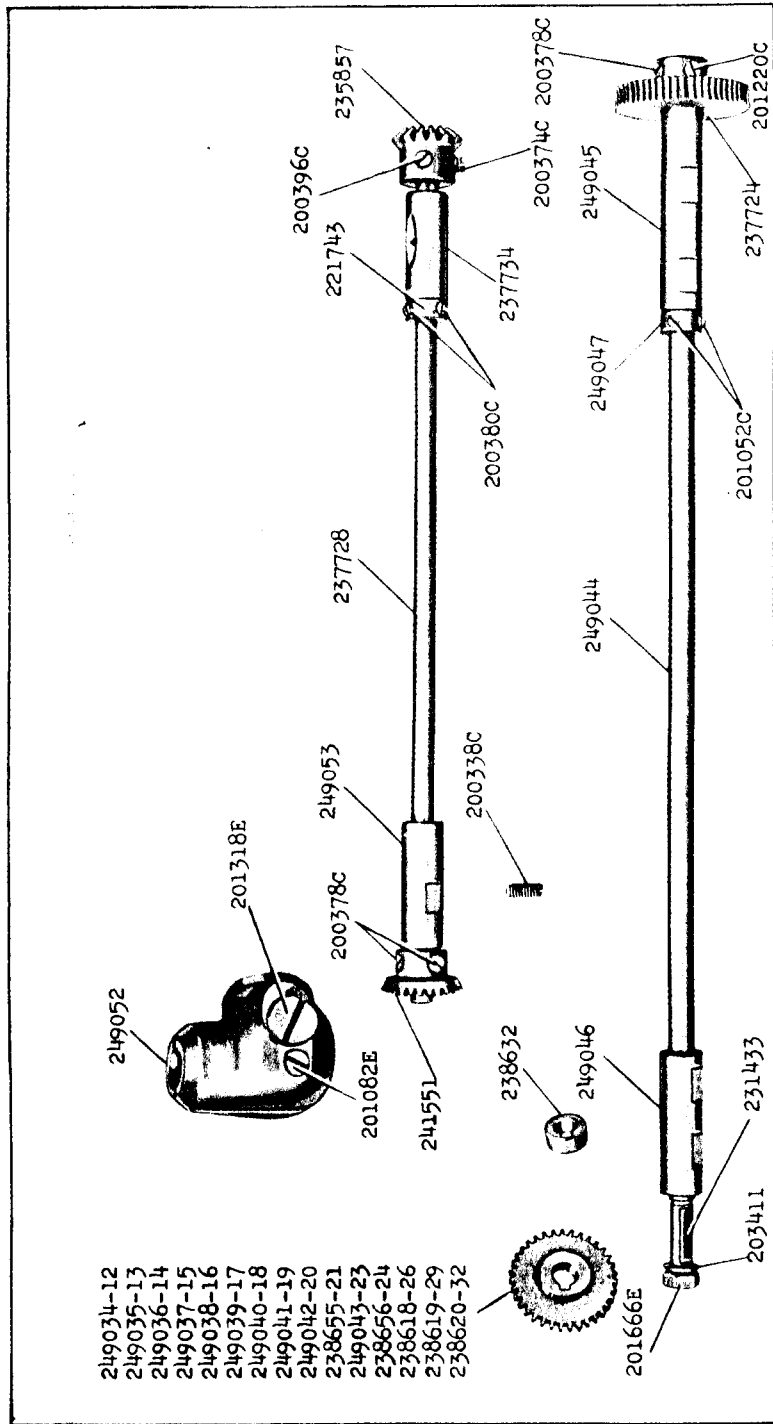
225589

225589

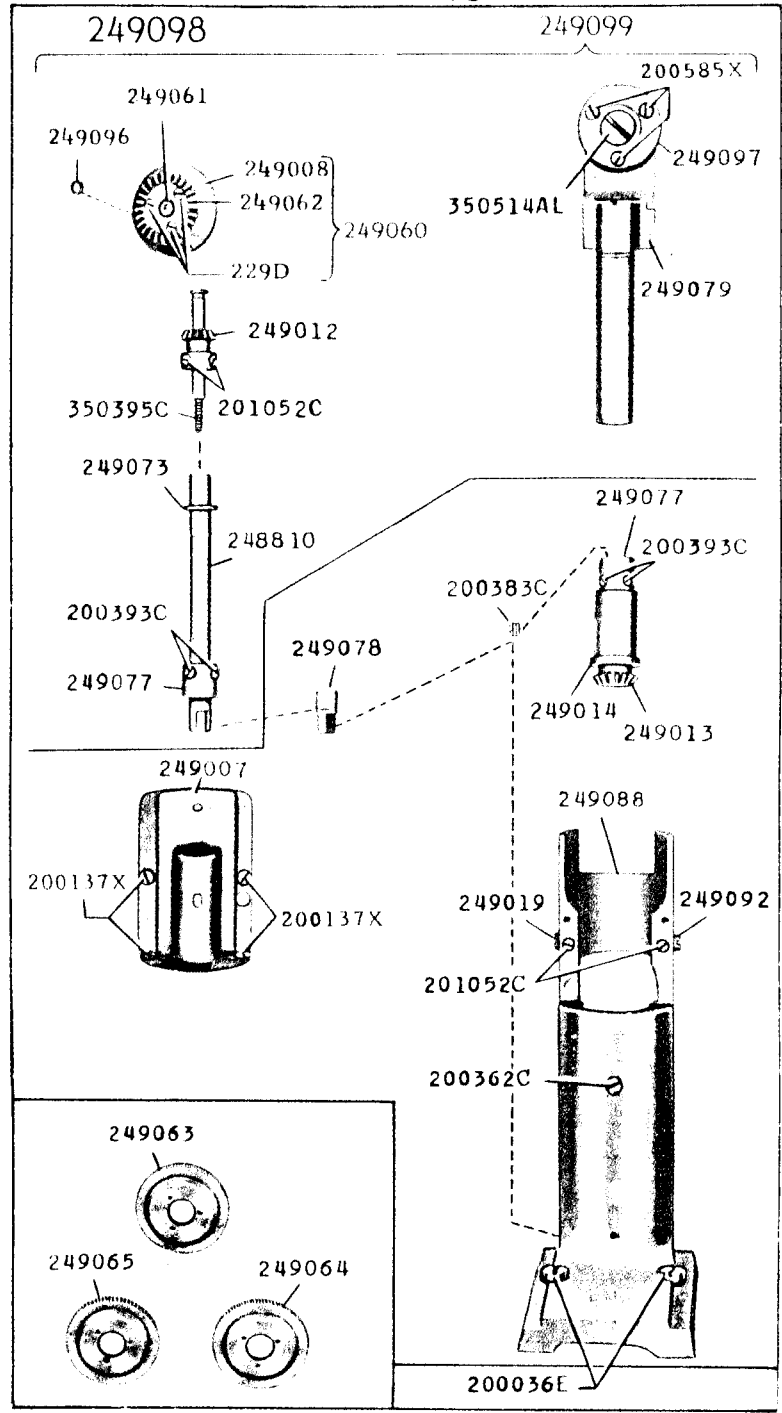
228288



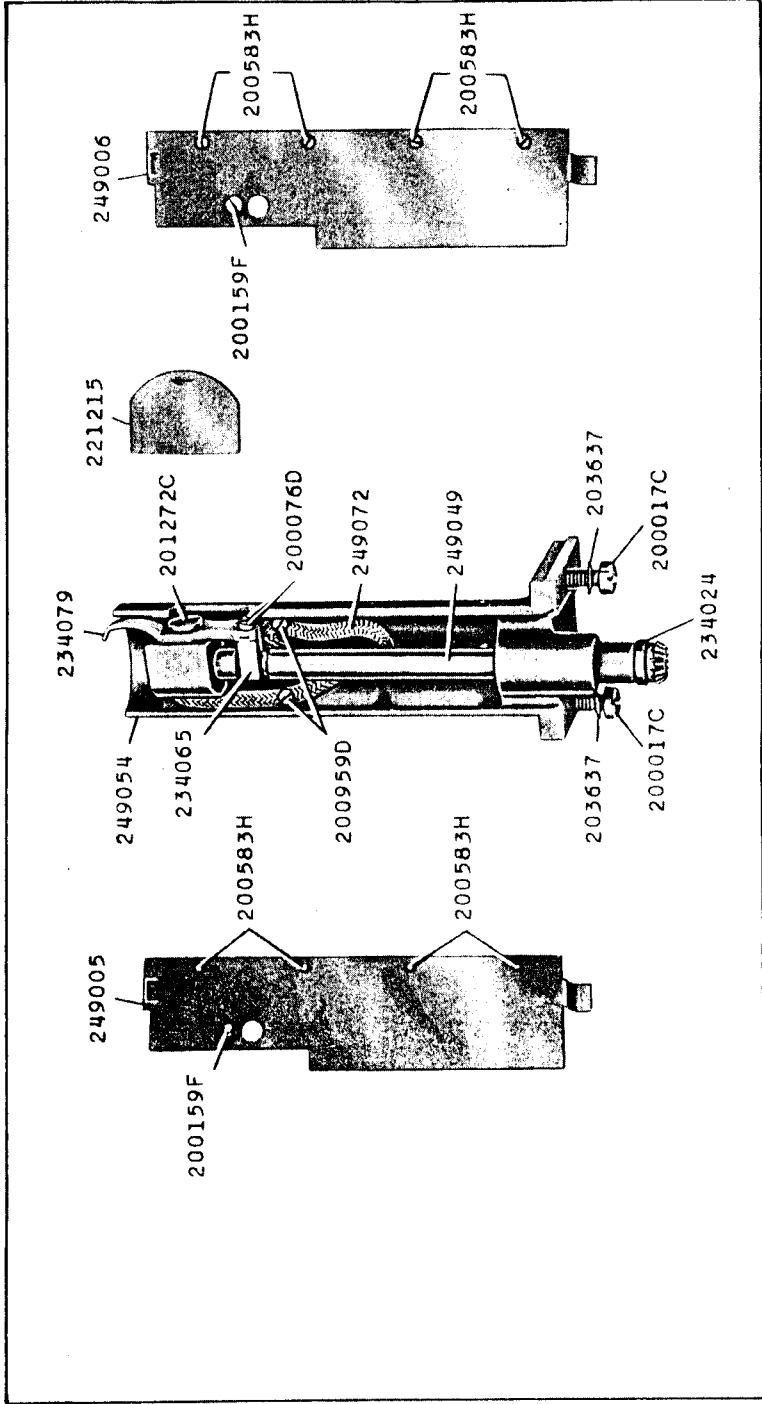
15753 - 3/8



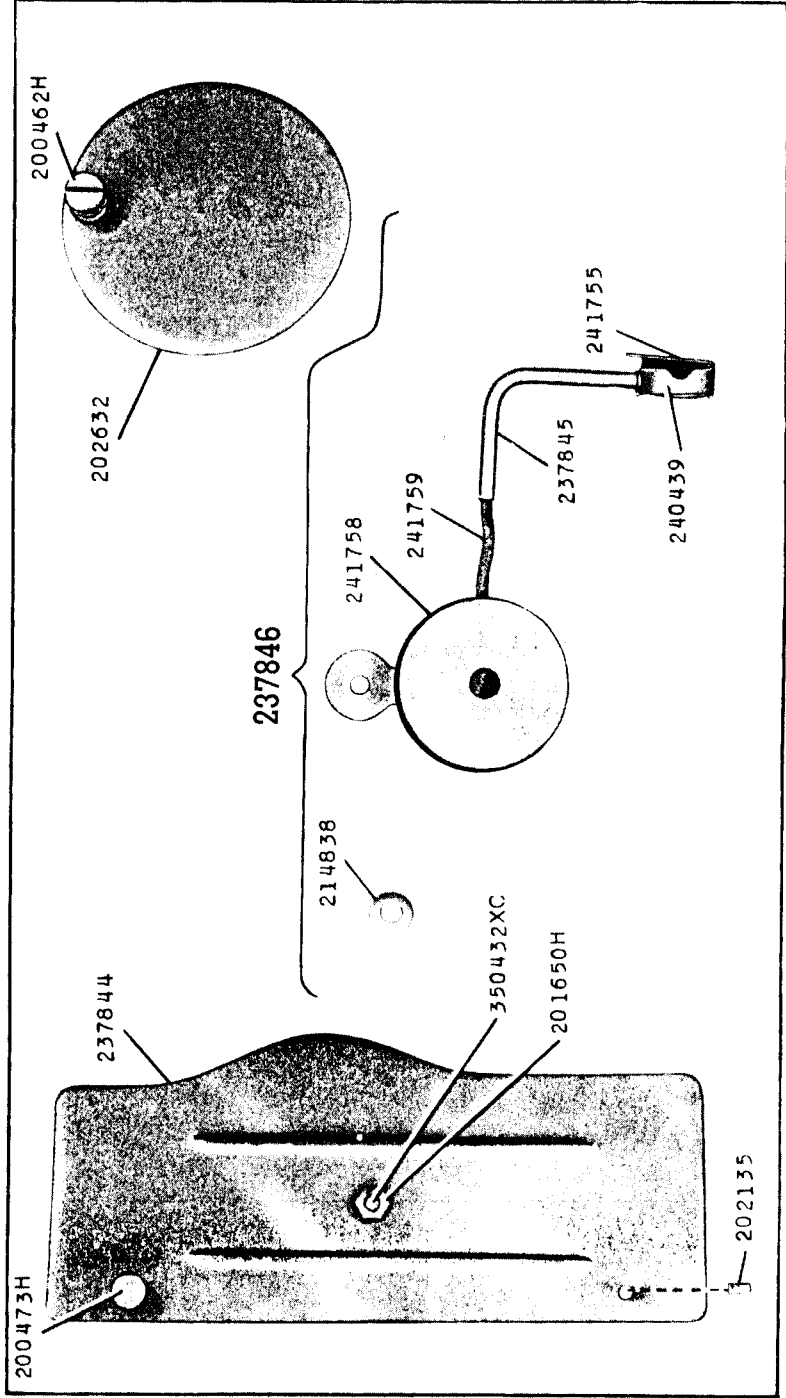
15759 - 1/3



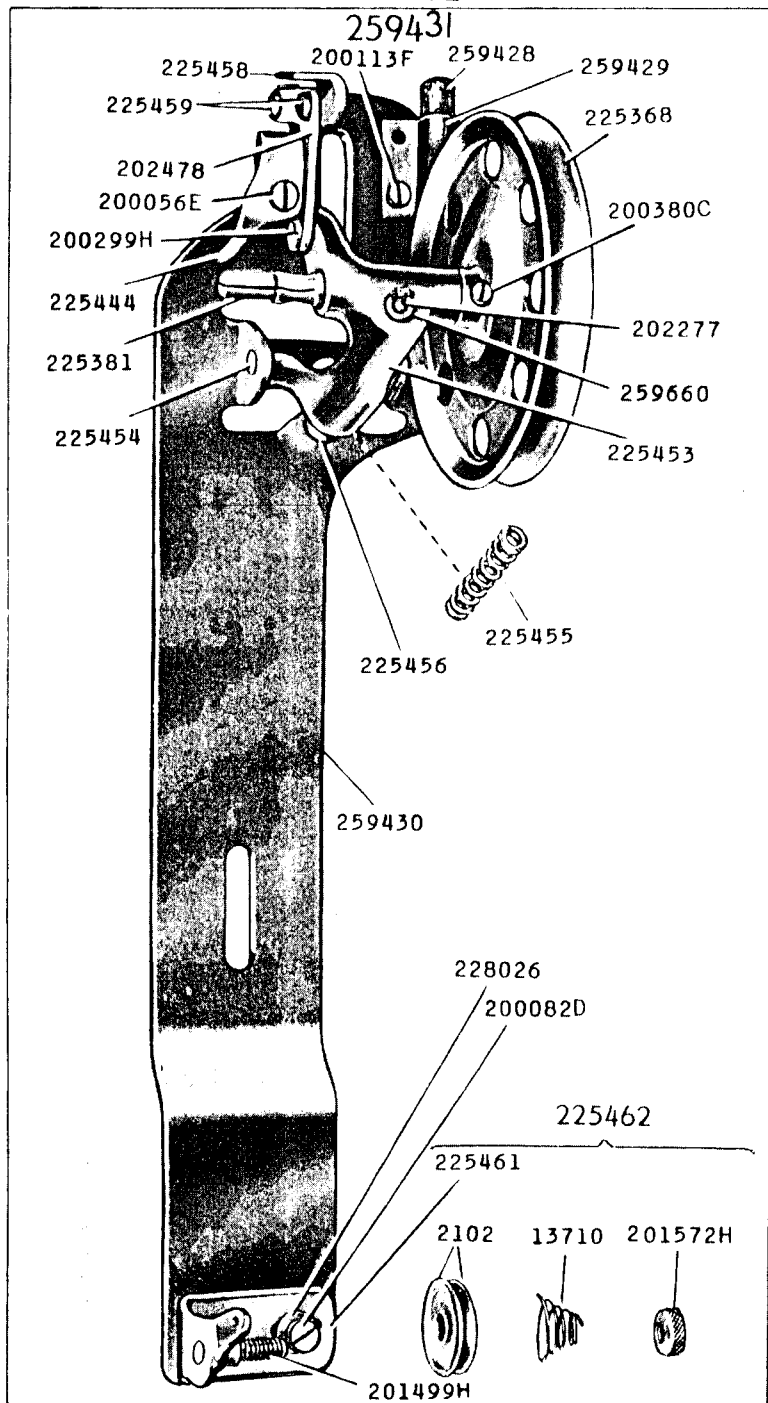
15772 - 1/3



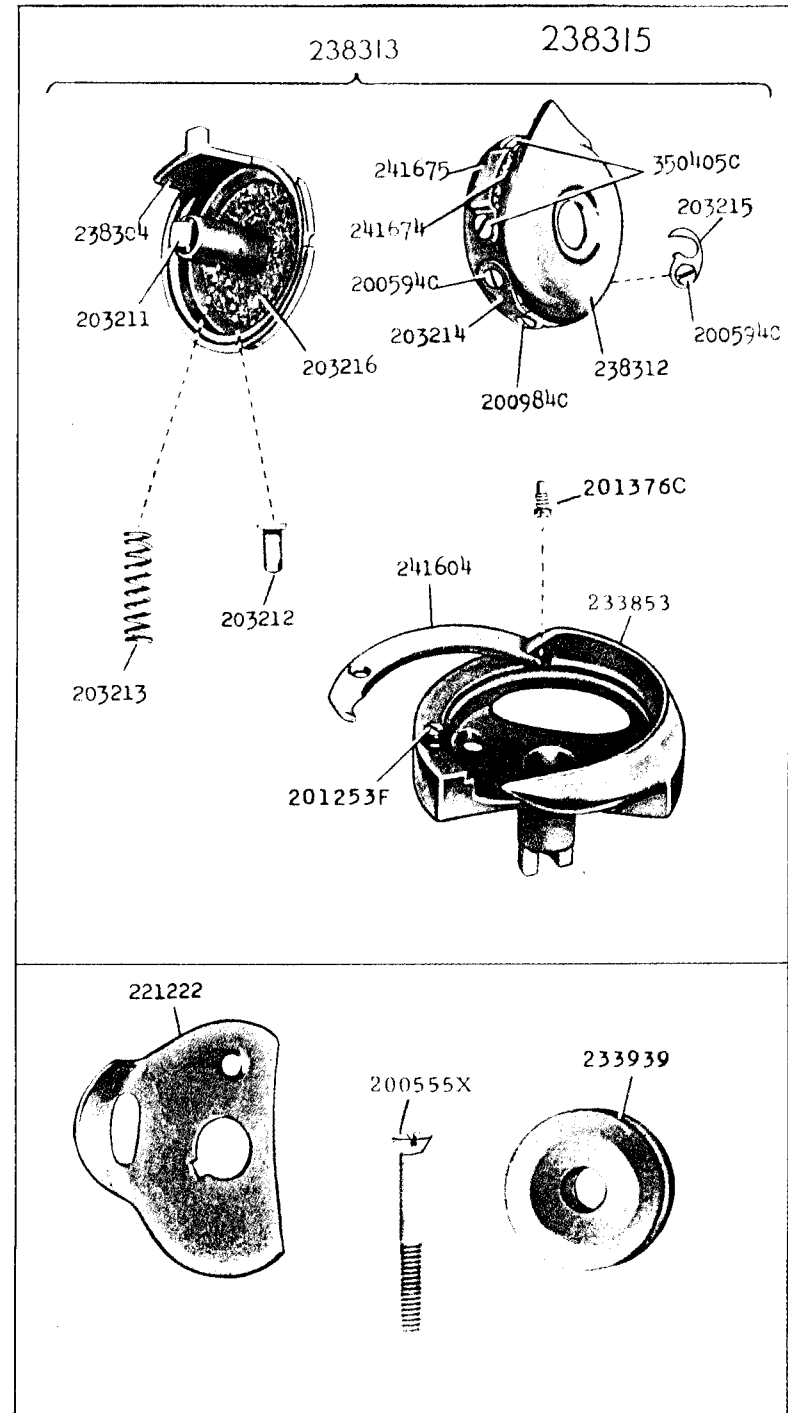
15774 - 1/2

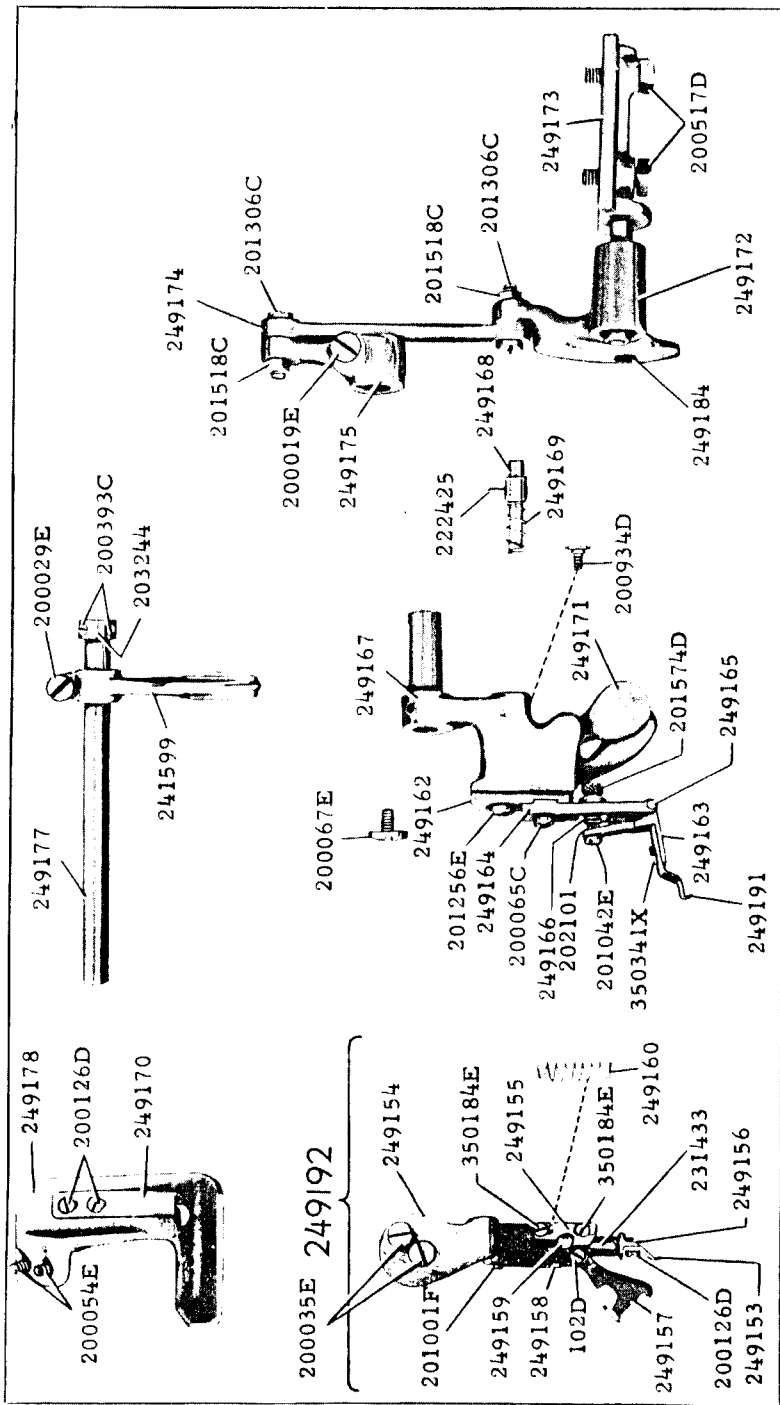
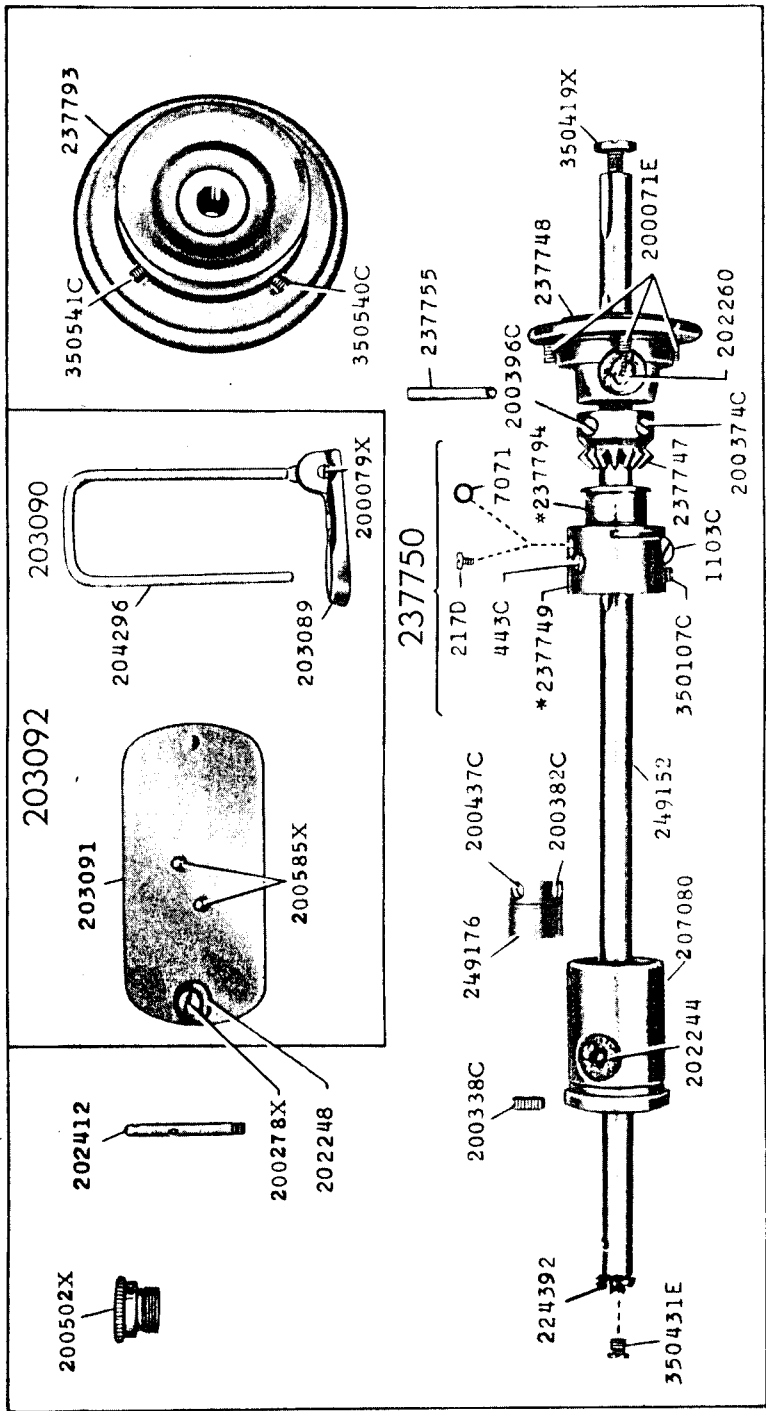


16615 - 1/2

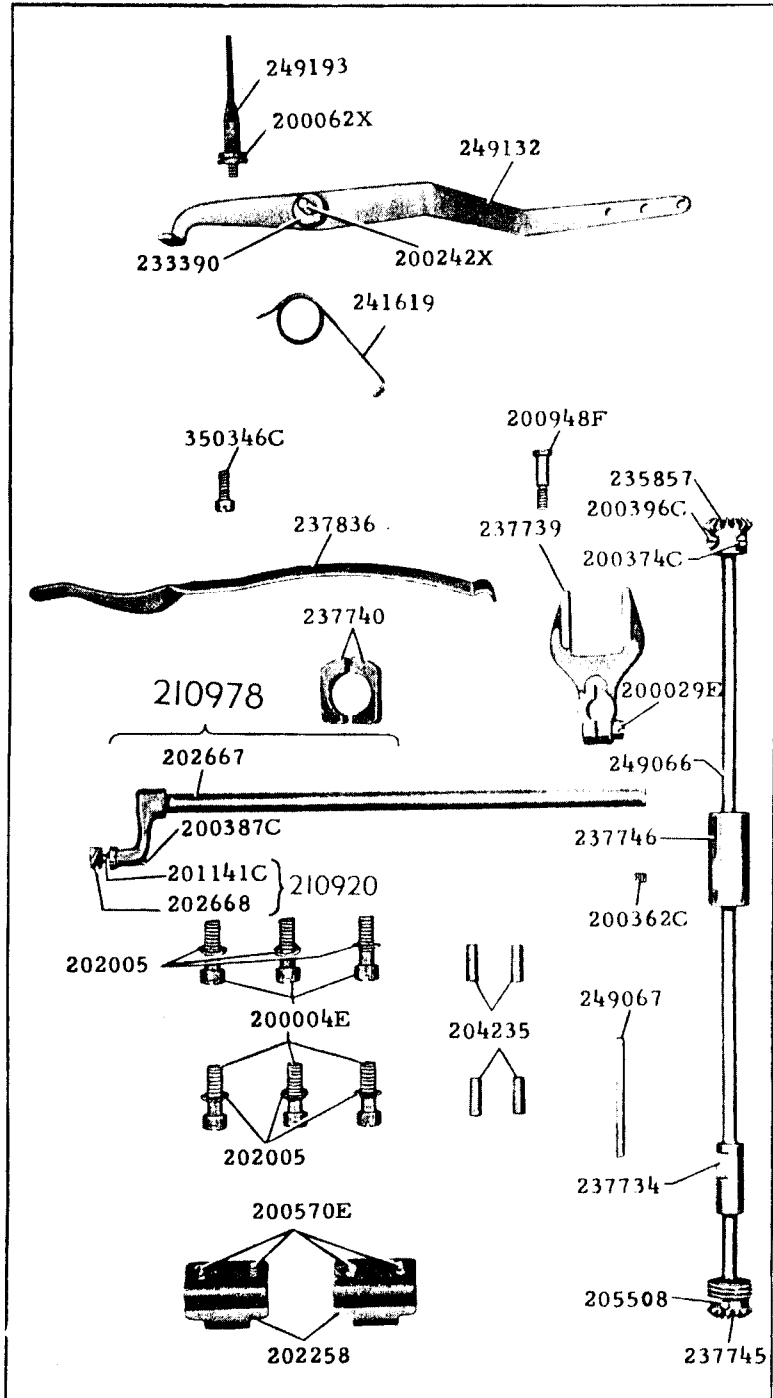


17313

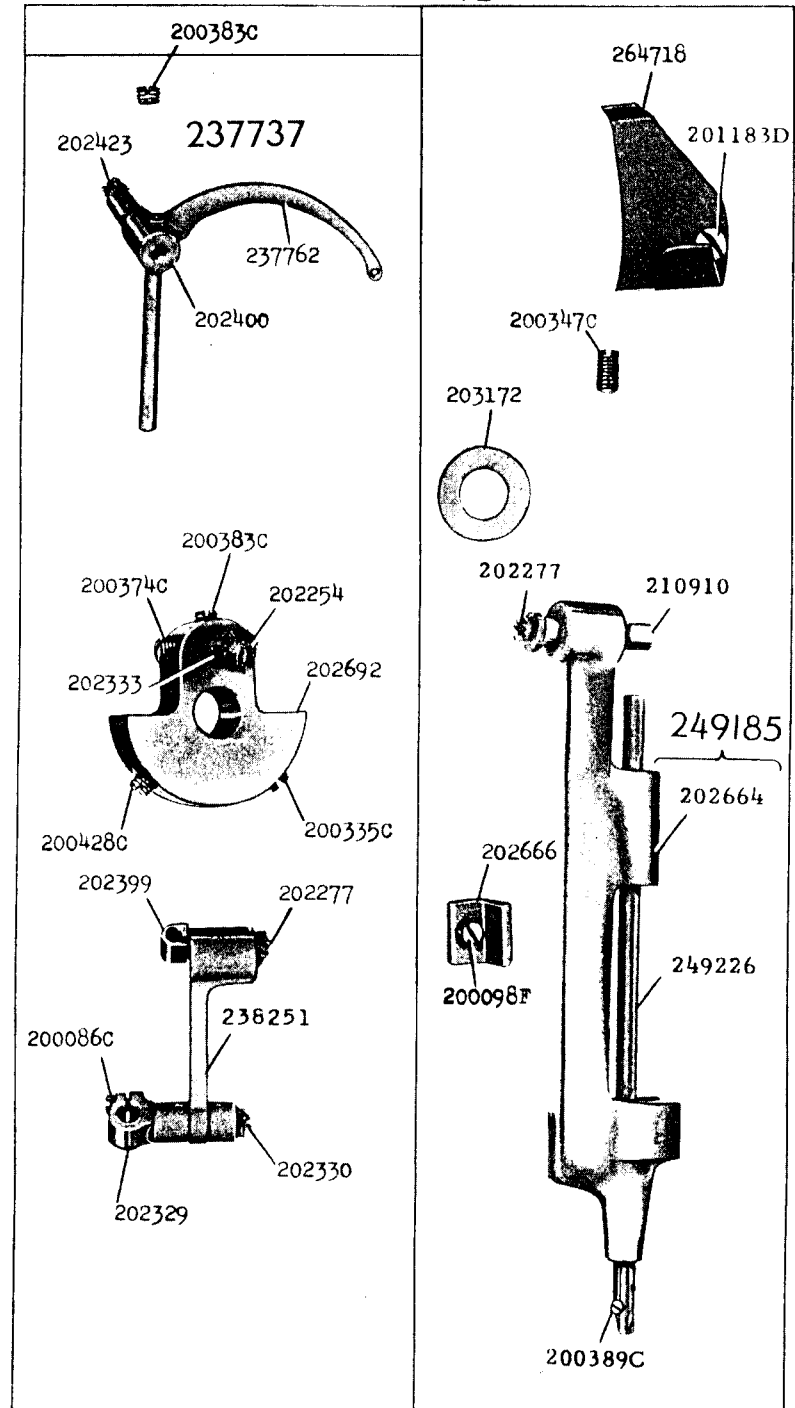




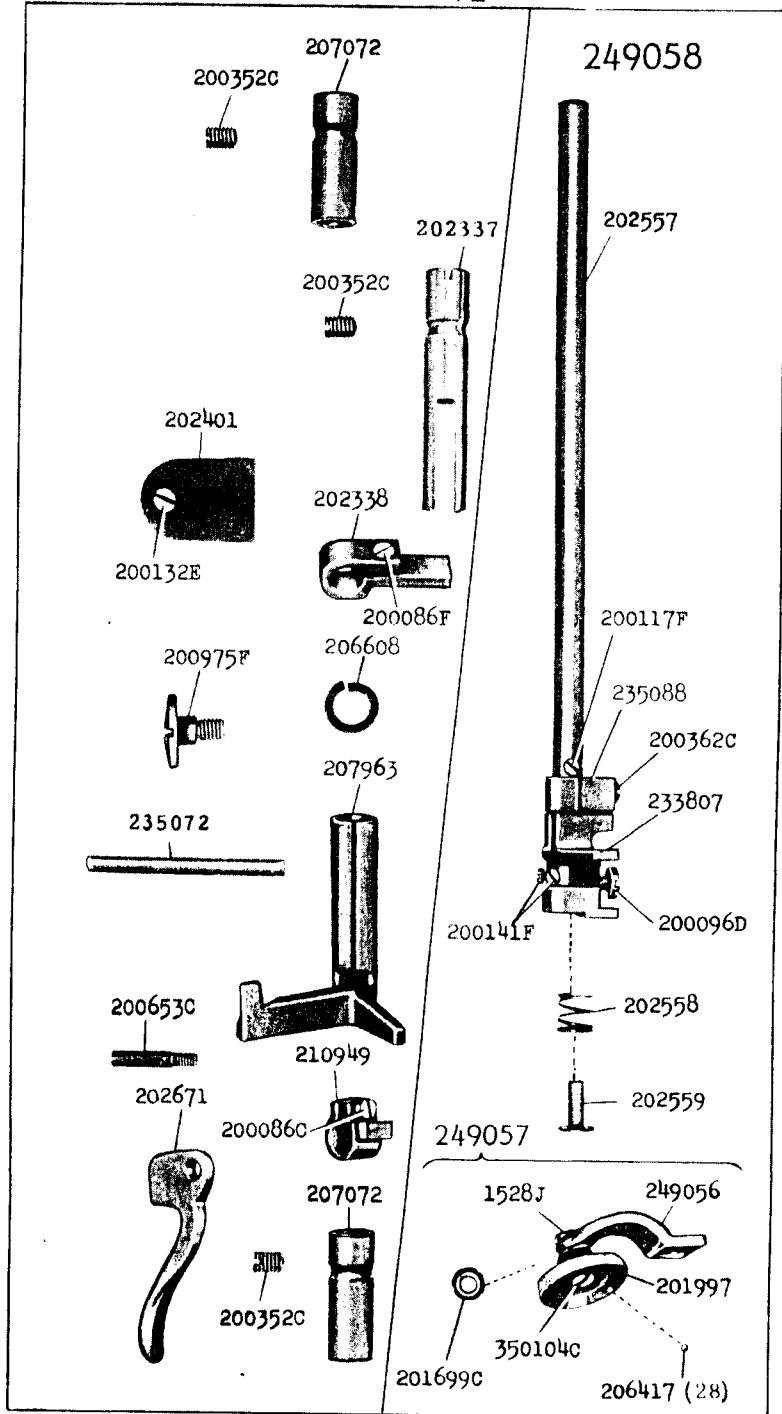
17333 - 1/4



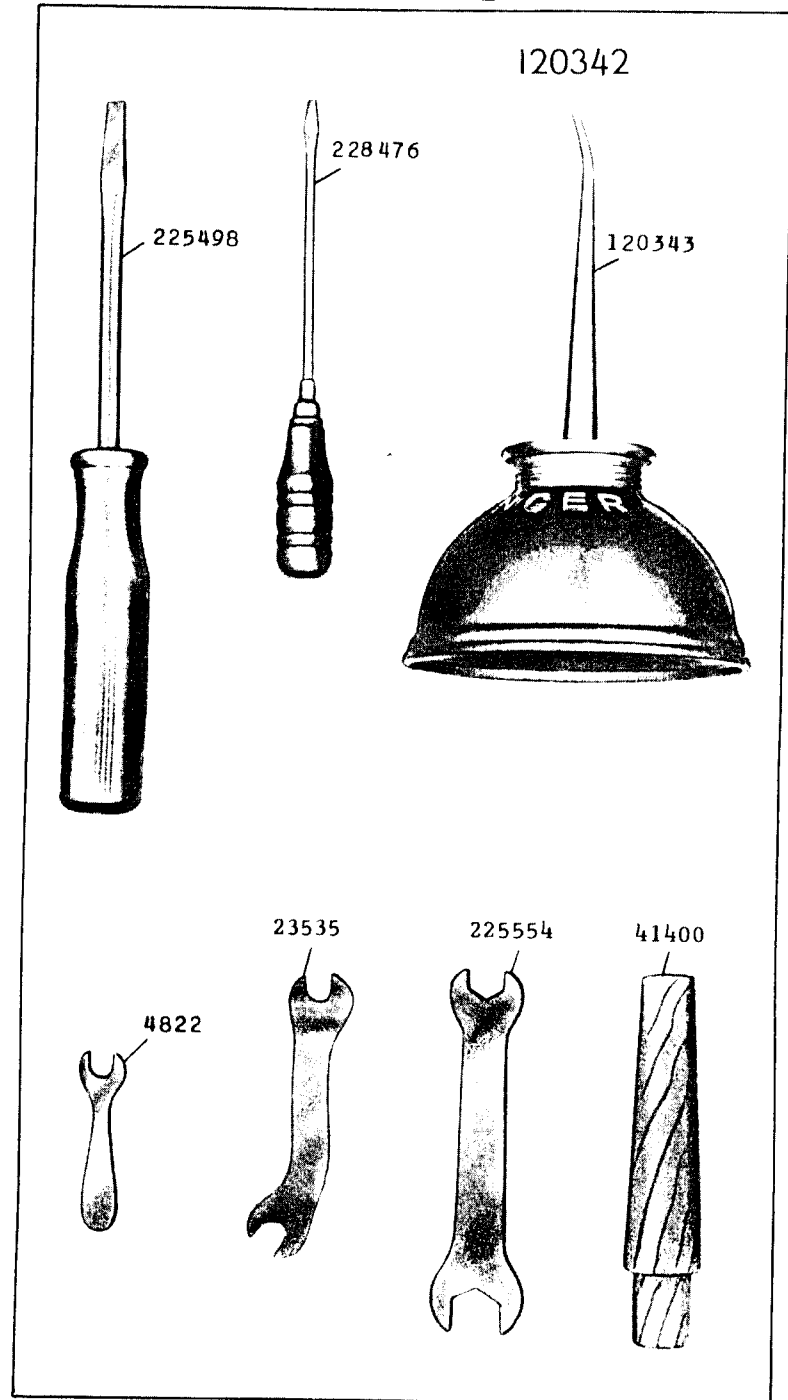
17334 - 1/2



17335 - 1/2



17336 - 1/2



17640 - 1/3

259283

