

SINGER
51W29

FORM 1721w
JUNE, 1921

LIST
OF
PARTS



MACHINE No. 51w29

THE SINGER MANUFACTURING COMPANY

INDEX

COPYRIGHT, U. S. A., 1915 and 1919, BY THE SINGER MANUFACTURING CO.
ALL RIGHTS RESERVED FOR ALL COUNTRIES

	PAGE
ACCESSORIES	18
BOBBIN WINDER	18
FEED DOGS	20
FOOT LIFTER	19
KNIFE GRINDER	24
KNIVES	25
MACHINE NO. 51W29	7
NUMERICAL LIST OF PARTS	27
OBSOLETE PARTS	26
ROLLER PRESSERS	20
THROAT PLATES	22
WOOD BASE	23
WORK PLATE PLATFORM	23

Instructions for Ordering

In ordering from this list, use **ONLY** the **PART** number in the **FIRST** column.

The number stamped on a Sewing Machine Part is the number of the Single Part only, except when the part includes Set Screws, Clamping Screws, Studs and Rollers Spun on, Small Wires riveted, or Parts soldered together, etc., which it is necessary to furnish in combination.

Every combination of parts sent out has its specific number which, although not stamped on Parts (except in above cases) must be used when ordering the combination.

Each number always indicates the **SAME PART** in whatever list it appears, or for whatever Machine.

The letters after some of the numbers indicate the style of finish only, as follows:

- A. Hardened, Polished and Plated.
- B. Polished and Plated.
- C. Hardened only.
- D. Polished only.
- E. Soft, not polished.
- F. Hardened and Polished.
- H. Blued.

These letters **MUST BE USED** when they appear in the list and **AFTER** the number, as in the list.

In this series

200001 to 201500 are Screw Numbers.

201501 to 201800 are Nut Numbers.

201801 to 202000 are Roller Numbers.

202001 and upward are numbers of Machine Parts.

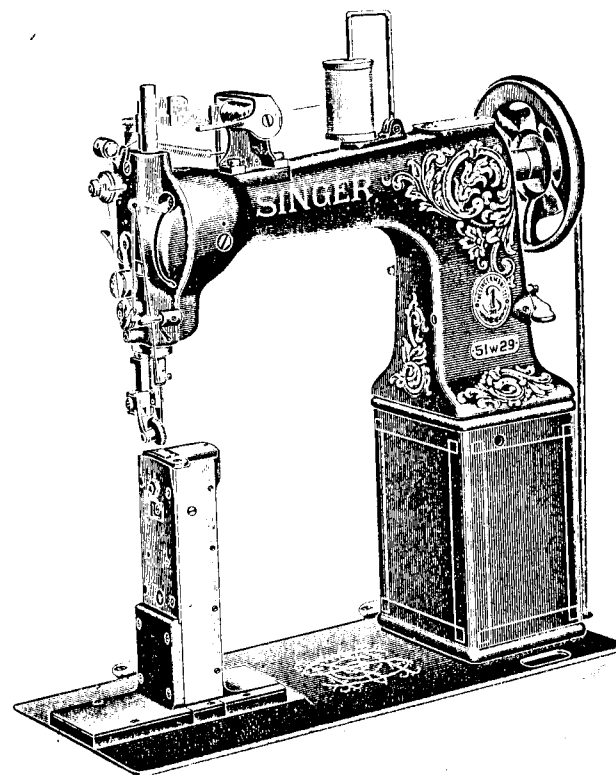
The figures in the second column refer only to the plate in which the illustration of the part is shown and are **NOT TO BE USED** in ordering.

Two or more numbers over a cut indicate that the difference between such parts is not visible in an illustration.

Parts marked with an asterisk (*) are furnished only when repairs are made at the factory.

LIST OF PARTS COMPLETE

FOR



MACHINE No. 51w29

DROP FEED. ROLLER PRESSER

For Stitching a Seam and Trimming the Edges at

One Operation.

For Leather and Gloves.

No.	Plate	Name
*204441	-----	Arm with 200439c, 202036 and 204351
*213434	-----	Arm Base
200010E	11763	" " Screw (3)
202005	12374	" " Washer (3)
215948	-----	" Bracket
204344	10472	" " 215948 with 201353c

No.	Plate	Name
200189H	11771	Arm Bracket Screw (3)
215949	—	" " Switch Handle
204442	10472	" " " " 215949 with 200889 and 201842
200859H	12246	Arm Bracket Switch Handle Stud
204346	12246	" " " " " Bushing
201528H	11763	Arm Bracket Switch Handle Stud Nut
204347	12246	Arm Bracket Switch Handle Stud Spring
204443	11142	Arm Bracket Switch Spring
204349	11142	" " " " Hook ..
204445	10472	Arm Bracket complete, Nos. 200391c, 200859H, 201528H, 204341, 204346, 204347, 204442, 204443, 204448 and 204450
204163	12344	Arm Cap
200278H	12311	" " Screw
202248	12351	" " " Washer
200963E	12311	" Screw (3)
202005	12374	" " Washer (3)
203202	11760	" Shaft
204351	11142	" " Bushing (front)
200439c	12311	" " " Position Screw ...
213432	11760	" " Connection with four 200054E (2)
200054E	12351	Arm Shaft Connection Screw
202299	—	" " Oil Packing (wick) (2)
204805	11760	Balance Wheel, 5½ in. diam. (belt groove 2¾ in. diam.), with 200328c and 200335c
200062H	12311	Balance Wheel Adjusting Screw ...
200328c	12311	" " Position Screw
200335c	12311	" " Set Screw
*221201	—	Bed with 203248, 203249, two each 200362c, 200516E, 200840E and 202299
202258	12153	Bed Hinge Connection (2)
200570E	12311	" " " Screw (4)
203208	12250	Bobbin
203210	12250	" Case Base with 202056, 203211 to 203213 and 203216
203211	12250	Bobbin Case Base Latch
*202056	—	" " " " Pin
203212	12250	" " " " Plunger ...
203213	12250	" " " " Spring ...
203209	12250	" " Cap with 200984c, 203214, 203215 and two 200594c

No.	Plate	Name
203214	12250	Bobbin Case Tension Spring
200984c	12250	" " " " Regulat- ing Screw
200594c	12250	Bobbin Case Tension Spring Screw
203215	12250	" " Thread Guide
200594c	12250	" " " " Screw ...
203216	12250	" " Washer (cloth)
203217	12250	Bobbin Case complete, Nos. 203209 and 203210
204184	11760	Face Plate with 200355H, 200368H, 200688c, 202090, 204185, 204281 and two 200397H
200053c	12311	Face Plate Screw
204185	12310	" " Thread Guide
200397H	12309	" " " " Set Screw
204186	11760	Face Plate complete, Nos. 200135c, 200309E, 200319c, 200577H, 204059, 204184, 204267, 204272 and 204277 to 204280
213426	11762	Feed Bar
213425	—	" " 213426 with 200214E, 201525E and 221508
200214E	12310	Feed Bar Hinge Screw
201525E	12310	" " " " Nut
212637	12246	" Dog
203609	11762	" " Lever with 200098E
200362c	12311	" " " Adjusting Screw ...
201524E	12310	" " " " Check Nut
200263E	11763	Feed Dog Lever Hinge Screw
201528D	11763	" " " " " Nut ...
221207	11761	" " " Post
221208	11761	" " " " 221207 with 200265E, 201525E, 203609, 203610, 221211, 221212, four each 200054E and 200578H
221209	11761	Feed Dog Lever Post Cover (back)
221226	11761	" " " " " (front)
200159E	11778	" " " " " " Clamp Screw
221211	11761	Feed Dog Lever Post Cover (side) with 200362c and 201524E
200583H	11763	Feed Dog Lever Post Cover (back or front) Screw
200578H	11763	Feed Dog Lever Post Cover (side) Screw
200024c	11763	Feed Dog Lever Post Screw (2) ...
221212	11761	" " " " Support
200054E	12351	" " " " " Screw

No.	Plate	Name
200008c	11778	Feed Dog Lever Post Support Screw (2)
203637	11763	Feed Dog Lever Post Support Screw Washer (2)
203610	11763	Feed Dog Lever Slide Block
200265E	11763	" " " " " Hinge Screw
201525E	12310	Feed Dog Lever Slide Block Hinge Screw Nut
200098E	12351	Feed Dog Screw
213428	11763	" Driving Cam with 200382c and 200437c
213429	11762	Feed Driving Cam Fork Lever with 204195 and 204293
213427	11762	Feed Driving Cam Fork Lever Connection with 200668c and 201525E
204194	11763	Feed Driving Cam Fork Lever Connection Clamp with 200031E
200031E	12311	Feed Driving Cam Fork Lever Connection Clamp Pinch Screw
200668c	12310	Feed Driving Cam Fork Lever Connection Clamp Screw Stud
201525E	12310	Feed Driving Cam Fork Lever Connection Clamp Screw Stud Nut
200002E	12310	Feed Driving Cam Fork Lever Connection Hinge Screw
201522E	12310	Feed Driving Cam Fork Lever Connection Hinge Screw Nut
*204195	---	Feed Driving Cam Fork Lever Shaft
204197	11763	Feed Driving Cam Fork Lever Shaft Collar with 200113E
200113E	12225	Feed Driving Cam Fork Lever Shaft Collar Set Screw
204293	12374	Feed Driving Cam Fork Lever Shaft Position Pin
204196	12351	Feed Driving Cam Fork Lever Shaft Sleeve (split)
200043c	12311	Feed Driving Cam Fork Lever Shaft Sleeve Set Screw
201524E	12310	Feed Driving Cam Fork Lever Shaft Sleeve Set Screw Nut
213693	11762	Feed Driving Cam Fork Lever complete, Nos. 204194 and 213429
200437c	12311	Feed Driving Cam Position Screw
200382c	11142	" " " " Set Screw
204199	12243	" " Rock Shaft
213495	---	" " " " 204199 with 200002E, 201522E and 213427

No.	Plate	Name
202305	12351	Feed Driving Rock Shaft Center (2)
200043c	12311	" " " " " Set Screw (2)
221508	11763	Feed Driving Rock Shaft Crank with two 200383c
200383c	12311	Feed Driving Rock Shaft Crank Set Screw
213007	11763	Feed Lifting Cam with 202126
204202	12374	" " " Fork with 200027E
200027E	12310	" " " " Pinch Screw
202126	12374	" " " Position Pin
200045E	12310	" " " Screw
203305	11762	" " Rock Shaft
203315	11762	" " " " 203305 with 203238
202305	12351	Feed Lifting Rock Shaft Center (2)
200043c	12311	" " " " " Set Screw (2)
202276	12374	Feed Lifting Rock Shaft Slide Block
203238	12374	Feed Lifting Rock Shaft Slide Block 202276 with 200243E and 201531E
200243E	12310	Feed Lifting Rock Shaft Slide Block Hinge Screw
201531E	12374	Feed Lifting Rock Shaft Slide Block Hinge Screw Nut
204206	---	Feed Regulating Handle
204207	12243	" " " " 204206 with 200098E, 202622, 204208 to 204210, 204213 and 204925
204208	12351	Feed Regulating Handle Adjustable Stop
200098E	12351	Feed Regulating Handle Adjustable Stop Screw
204925	12245	Feed Regulating Handle Adjustable Stop Screw Washer
204209	12351	Feed Regulating Handle Position Pin
204210	11763	Feed Regulating Handle Shaft
204211	11763	" " " " Crank with 200098E
213433	11762	Feed Regulating Handle Shaft Crank Link
200271E	12311	Feed Regulating Handle Shaft Crank Link Hinge Screw (lower)
200291E	12351	Feed Regulating Handle Shaft Crank Link Hinge Screw (upper)

No.	Plate	Name
200098F	12351	Feed Regulating Handle Shaft Crank Set Screw
204213	12351	Feed Regulating Handle Shaft Sleeve (split)
200362c	12311	Feed Regulating Handle Shaft Sleeve Set Screw
202622	11763	Feed Regulating Handle Shaft Sleeve Washer
202036	12310	Feed Regulating Handle Stop Pin
213902	—	Feed Regulating Handle complete, Nos. 200291E, 204207, 204211 and 213433
227543	11760	Foot Lifter Lifting Lever
227480	—	" " " " 227543 with 200262H
227356	—	Foot Lifter Lifting Lever 227480 with 227273
200262H	11763	Foot Lifter Lifting Lever Hinge Screw
227475	11760	Foot Lifter Lifting Lever Rod with 202302
227273	—	Foot Lifter Lifting Lever Rod 227475 with 206628, 227227 and 227576
204126	11778	Foot Lifter Lifting Lever Rod Clamp with two 200530c
227316	12388	Foot Lifter Lifting Lever Rod Clamp Hook
227576	12388	Foot Lifter Lifting Lever Rod Clamp Hook 227316 with 204126
200530c	11778	Foot Lifter Lifting Lever Rod Clamp Set Screw
202302	11778	Foot Lifter Lifting Lever Rod Cotter Pin
206628	12388	Foot Lifter Lifting Lever Rod Spring
227227	12388	Foot Lifter Lifting Lever Rod Spring Collar with 200113F
200113F	12225	Foot Lifter Lifting Lever Rod Spring Collar Set Screw
*203463	—	Hook (sewing)
203464	12250	" 203463 with 201253F, 201376F and 203251
203465	12250	Hook and Bobbin Case complete, Nos. 203217 and 203464
203242	12344	Hook Bevel Gear, 24 teeth, with two 200383c
200383c	12311	Hook Bevel Gear Set Screw
203242	12344	" " Pinion, 24 teeth, with two 200383c

No.	Plate	Name
200383c	12311	Hook Bevel Pinion Set Screw
203306	—	" Counter Shaft
203244	12374	" " " Collar with two 200393c
200393c	12374	Hook Counter Shaft Collar Set Screw
203245	12344	Hook Counter Shaft Driving Gear, 44 teeth, with 200362c and 200439c
213157	—	Hook Counter Shaft Driving Gear 203245 with 200045E and 213007
200439c	12311	Hook Counter Shaft Driving Gear Position Screw
200362c	12311	Hook Counter Shaft Driving Gear Set Screw
203246	12344	Hook Counter Shaft Gear, 22 teeth, with two 200383c
200383c	12311	Hook Counter Shaft Gear Set Screw
202299	—	Hook Counter Shaft Oil Packing (wick)
200840E	12311	Hook Counter Shaft Oil Packing (wick) Stop Screw
203247	12243	Hook Driving Shaft
203248	12243	" " " Bearing with 202299
202299	—	Hook Driving Shaft Bearing Oil Packing (wick)
202126	12374	Hook Driving Shaft Bearing Position Pin
200516E	12311	Hook Driving Shaft Bearing Screw
203249	12344	" " " Bushing (eccentric)
202299	—	Hook Driving Shaft Bushing Oil Packing (wick)
200362c	12311	Hook Driving Shaft Bushing Set Screw
213141	11778	Hook Driving Shaft Collar with two 200393c
200393c	12374	Hook Driving Shaft Collar Set Screw
203251	12250	Hook Gib
201376F	11778	" " Hinge Screw
201253F	11778	" " Screw
203625	11761	" Post
221228	—	" " 203625 with 200159F, 200555H, 202299, 203242, 203465, 203619, 203718, 221209, 221215, 221226 and eight 200583H
202299	—	Hook Post Oil Packing (wick)
200008c	11778	" " Screw (2)

No.	Plate	Name
203637	11763	Hook Post Screw Washer (2)
221215	11762	" " Slide
203619	11761	" Socket
200555H	12250	" " Screw
203718	12250	" Washer
221225	----	Hook Post complete, Nos. 221208 and 221228
207805	10620	Knife
204447	10472	" Bar with 200094F
204448	----	" " 204447 with 204452
204450	10472	" " Bell Crank with 204349 and 204449
204449	11142	Knife Bar Bell Crank Bearing
200664H	12245	" " " " Driving Screw Stud
200889	11142	Knife Bar Bell Crank Driving Screw Stud 200664H with 201528H
201528H	11763	Knife Bar Bell Crank Driving Screw Stud Nut
201353C	12245	Knife Bar Bell Crank Driving Screw Stud Position Adjusting Screw
200391C	12245	Knife Bar Bell Crank Position Screw
204370	11142	Knife Bar Driving Cam with 200347C and 200434C
200434C	11142	Knife Bar Driving Cam Position Screw
201816	12351	Knife Bar Driving Cam Roller
201808	12245	" " " " 201816 with 200825
201842	12245	Knife Bar Driving Cam Roller 201808 with 201528H
200825	----	Knife Bar Driving Cam Roller Screw Stud
201528H	11763	Knife Bar Driving Cam Roller Screw Stud Nut
200347C	12245	Knife Bar Driving Cam Set Screw
204452	12245	" Holder
200094F	12245	" " Screw
200126F	12245	" Screw (2)
213770	12243	Needle Bar (hollow) with 200420F, 200595H and 213771
204248	12246	Needle Bar Connecting Link
200658C	12351	" " " " Hinge Screw Stud
201519C	12351	Needle Bar Connecting Link Hinge Screw Stud Nut
204249	12374	Needle Bar Connecting Stud with 200072C and 202277

No.	Plate	Name
202277	----	Needle Bar Connecting Stud Oil Packing (wick)
200072C	12374	Needle Bar Connecting Stud Pinch Screw
213435	12246	Needle Bar Guard
204326	----	" " Packing Cord
200868	12245	" " Screw Bushing (lower)
213771	12246	" " Thread Guide
200595H	12245	" " " " Screw ..
200420F	12245	" Set Screw
204252	12374	Presser Bar Lifter
200550C	12311	" " " Hinge Screw ...
204455	11771	" " Lifting Bracket with 200387C
204254	12246	Presser Bar Lifting Bracket Posi- tion Guide
200362C	12311	Presser Bar Lifting Bracket Posi- tion Guide Set Screw
200387C	11296	Presser Bar Lifting Bracket Set Screw
204327	----	Presser Bar Packing Washer (felt)
200868	12245	" " Screw Bushing (lower)
204258	12245	" " Spring (heavy)
200493R	11771	" " Thumb Screw (pres- sure regulating)
201910	12225	Roller Presser, $\frac{1}{2}$ in. diam., $\frac{1}{4}$ in. face (coarse) with 200551R and 201534H
204328	----	Roller Presser Arm
204570	12225	" " " 204328 with 201910
202560	12225	Roller Presser Arm Bracket (swing)
204575	----	Roller Presser Arm Bracket 202560 with 200096D and 204570
200675C	12225	Roller Presser Arm Bracket Posi- tion Screw Stud
202558	12225	Roller Presser Arm Bracket Spring
202559	12225	" " " " " "
		Stop
200141F	12225	Roller Presser Arm Bracket Spring Stop Screw
200096D	12225	Roller Presser Arm Screw
204495	12225	" " Bar
200551F	12225	" " Hinge Screw
201534H	12225	" " " " Nut
204576	----	Roller Presser and Bar complete, Nos. 200675C, 202558, 202559, 204495, 204575 and two 200141F

No.	Plate	Name
202068	12153	Spool Holder Base
200575H	12311	" " " Screw
204296	12153	" " Wire
200079H	12311	" " " Hinge Screw ..
204297	12153	Spool Holder complete, Nos. 200079H, 202068 and 204296
213006	11778	Take-up Cam with 200335c, 200383c, 200430c, 200658c and 201519c ...
200430c	12311	Take-up Cam Position Screw
200383c	12311	" " " " Check Screw
200335c	12311	Take-up Cam Set Screw
203270	12310	" Lever
203291	---	" " 203270 with 204263 ..
204263	12310	" " Bearing with 204264 ..
204264	12245	" " Position Pin ...
200042F	12311	" " " Screw
201816	12351	" " Roller
203271	12310	Take-up Lever complete, Nos. 200042F, 201816 and 203291
202402	12309	Tension Disc
202090	12309	" " Position Pin
204267	12310	" Release Lever
200688c	11778	" " " Position Screw
200309E	12309	" " " Screw
202075	12309	" " Plunger
204456	12245	" " Slide
204457	11142	" " " Spring
202407	10881	" Spring
200632B	12309	" Stud
200397H	12309	" " Set Screw
201572B	10881	" Thumb Nut
204271	12309	" Washer
204272	12309	Tension complete, Nos. 200632B, 201572B, 202075, 202407, 204271 and two 202402
204458	12246	Thread Controller Adjusting Collar with 200684H (for Presser Bar)
200684H	12245	Thread Controller Adjusting Collar Screw
204274	12309	Thread Controller Plate
200577H	12311	" " " Screw
202098	12309	" " Roller
204275	12309	" " Guard
202084	12309	" " " " Washer
200300c	12309	" " " Screw
204276	12309	" " Spring
204333	12309	" " " Guard
200581H	12309	" " " " Screw ..
204277	12309	" " " Stop

No.	Plate	Name
204278	12309	Thread Controller Spring Stop Driving Gear
200319c	12309	Thread Controller Spring Stop Driving Gear Hinge Screw
200135c	12309	Thread Controller Spring Stop Screw
204279	12309	Thread Controller Spring Stud with 204925
200355H	12319	Thread Controller Spring Stud Set Screw
204925	12245	Thread Controller Spring Stud Washer
205987	12309	Thread Controller complete, Nos. 200300c, 200581H, 202084, 202098, 204274, 204275 and 204333
204280	12309	Thread Controller and Spring com- plete, Nos. 204276 and 205987 ..
204459	12245	Thread Guide
204329	---	" Oiler (felt)
204330	12225	" " Bracket with 204329 ..
200113c	12225	" " " Screw
204281	12309	" Retainer Guide Wire
202091	12309	" " Sleeve
202092	12309	" " Spring
204058	12309	" " Stud
200368H	12309	" " " Set Screw
204059	12309	Thread Retainer complete, Nos. 202091, 202092 and 204058
215771	12246	Throat Plate, 53 needle hole, for needle sizes 12 and 13, with 200178D, 200587D, 212664 and 215772, trims opposite the needle and .015, .060 and .085 in. to right of seam
215772	12246	Throat Plate Knife Follower
200587D	12351	" " " " Screw
212664	12245	" " " " Spring
200178D	12245	" " " " " "
		Screw
200577H	12311	Throat Plate Screw (2)

ACCESSORIES

No.	Plate	Name
203208	12250	Bobbin (5)
*225482	----	" Case Screw Driver Blade ..
*225483	----	" " " " Handle ..
225497	12153	Bobbin Case Screw Driver complete, Nos. 225482 and 225483 ..
207805	10620	Knife
225487	11778	Roller Presser Hinge Screw Nut Wrench
128 x 2	----	Needles, two each, sizes 11, 12 and 13
225191	----	Drip Pan with four wood screws $\frac{1}{2}$ in., No. 5
41400	12153	Machine Rest Pin (wood)
36578	12153	Oiler with 36579
36579	12153	" Spout, 3 $\frac{1}{2}$ in. long, with 120117
120117	----	" " Washer (leather)
*225484	----	Screw Driver Blade
*225485	----	" " Handle
225498	12153	Screw Driver complete (7 $\frac{1}{2}$ in. long), Nos. 225484 and 225485
225554	12153	Wrench (steel)

BOBBIN WINDER

Swing Automatic. Right Hand

*225451	----	Bobbin Holder
225453	10882	Frame with 202277 and 225438
225454	10882	" Hinge Pin
202277	----	" Oil Packing (wick)
225438	10882	" " Well Cap
225455	10882	" Spring
225456	10882	" " Plunger
202473	12320	Pulley with 200105c
200105c	----	" Set Screw
*225443	----	Spindle
225452	10882	" 225443 with 225451
225444	10882	Stop Latch
200056e	10882	" " Screw
225458	10882	" " Thumb Lever
225459	10882	" " " " Hinge Stud
225460	10882	" " " " Joint Stud
202478	10882	" " Trip Lever
200299ii	12319	" " " " Hinge Screw

No.	Plate	Name
225461	10881	Tension Bracket with 201499b
200082b	10881	" " Screw
228026	----	" " " Washer
2102	10881	" Disc
202407	10881	" Spring
201499b	10881	" Stud
201572b	10881	" " Thumb Nut
225462	10881	Bobbin Winder Tension Bracket complete, Nos. 201572b, 202407, 225461 and two 2102
225433	10883	Bobbin Winder and Tension Bracket Base
225436	10883	Universal Bobbin Winder complete, Nos. 200056e, 200082b, 200299ii, 202473, 202478, 225433, 225444, 225452 to 225456, 225458 to 225460, 225462, 228026 and two wood screws $\frac{3}{4}$ in., No. 13, R.H.B.

FOOT LIFTER

227952	11156	Foot Lifter Lever (left or right) with 227954
227678	11156	Foot Lifter Lever Chain, 48 in. long, with 202784
227954	11155	Foot Lifter Lever Chain Hook (lower)
202784	11155	Foot Lifter Lever Chain Hook (upper)
225016	11155	Foot Lifter Lever Hinge Pin
227953	11156	" " " Stand with two wood screws 1 in., No. 13
227955	11156	Foot Lifter Lever (left or right) complete, Nos. 225016, 227678, 227952 and 227953

(Other Foot Lifter parts are listed with parts of machine head.)

FEED DOGS

No.	Plate	Name
212637	12246	Feed Dog, for 215771 and 221233 to 221236
212638	12246	Feed Dog, for 215771 and 221233 to 221236

ROLLER PRESSERS

201906	11155	Roller Presser, $1\frac{1}{2}$ in. diam., $\frac{1}{2}$ in. face (fine), with 200548F and 201534U
201907	11767	Roller Presser, $1\frac{1}{2}$ in. diam., $\frac{3}{8}$ in. face (fine), with 200548F and 201534U
201908	11767	Roller Presser, $1\frac{1}{2}$ in. diam., $\frac{1}{2}$ in. face (fine), with 200548F and 201534U
201909	11767	Roller Presser, $\frac{11}{16}$ in. diam., $\frac{3}{8}$ in. face (coarse), with 200551F and 201534U
201910	12225	Roller Presser, $\frac{11}{16}$ in. diam., $\frac{1}{2}$ in. face (coarse), with 200551F and 201534U
201911	11767	Roller Presser, 1 in. diam., $\frac{1}{2}$ in. face (coarse), with 200551F and 201534U
201914	11155	Roller Presser, $\frac{5}{8}$ in. diam., $\frac{1}{2}$ in. face (coarse), with 200551F and 201534U
201915	11767	Roller Presser, $\frac{11}{16}$ in. diam., $\frac{3}{8}$ in. face (coarse), with 200554F
201916	11767	Roller Presser, $\frac{1}{2}$ in. diam., $\frac{3}{8}$ in. face (fine), with 200554F

No.	Plate	Name
202839	11155	Roller Presser Arm
204328	-----	" " "
204571	-----	" " "
204573	-----	" " "
204567	11155	" " " 202839 with 201906
204569	11767	Roller Presser Arm 202839 with 201907
204570	12225	Roller Presser Arm 204328 with 201910
204572	11155	Roller Presser Arm 204571 with 201914
204574	11767	Roller Presser Arm 204573 with 201916
202560	12225	Roller Presser Arm Bracket (swing)
202838	-----	" " " " 202560 with 200096D and 204567
204436	-----	Roller Presser Arm Bracket 202560 with 200096D and 204569
204575	-----	Roller Presser Arm Bracket 202560 with 200096D and 204570
200675C	12225	Roller Presser Arm Bracket Position Screw Stud
202558	12225	Roller Presser Arm Bracket Spring
202559	12225	" " " " " " Stop
200141F	12225	Roller Presser Arm Bracket Spring Stop Screw
200096D	12225	Roller Presser Arm Screw
204495	12225	" " Bar
200554F	11767	" " Hinge Screw
200551F	12225	" " " " " "
200548F	11155	" " " " " "
201534U	12225	" " " " " Nut
204437	-----	Roller Presser and Bar complete, Nos. 200675C, 202558, 202559, 204436, 204495 and two 200141F ..
204496	-----	Roller Presser and Bar complete, Nos. 200675C, 202558, 202559, 202838, 204495 and two 200141F ..
204576	-----	Roller Presser and Bar complete, Nos. 200675C, 202558, 202559, 204495, 204575 and two 200141F ..

THROAT PLATES

No.	Plate	Name
221233	12246	Throat Plate, 60 needle hole, for needle sizes 8 and 9, with 200178D, 200587D, 212664 and 215772, trims opposite the needle and .028, .035, .045, .060 and .085 in. to right of seam, for 212637 and 212638
221234	12246	Throat Plate, 56 needle hole, for needle sizes 10 and 11, with 200178D, 200587D, 212664 and 215772, trims opposite the needle and .035, .045, .060 and .085 in. to right of seam, for 212637 and 212638
215771	12246	Throat Plate, 53 needle hole, for needle sizes 12 and 13, with 200178D, 200587D, 212664 and 215772, trims opposite the needle and .045, .060 and .085 in. to right of seam, for 212637 and 212638
221235	12246	Throat Plate, 50 needle hole, for needle sizes 14 and 15, with 200178D, 200587D, 212664 and 215772, trims opposite the needle and .060 and .085 in. to right of seam, for 212637 and 212638
221236	12246	Throat Plate, 46 needle hole, for needle sizes 16 and 18, with 200178D, 200587D, 212664 and 215772, trims opposite the needle and .060 and .085 in. to right of seam, for 212637 and 212638 . .
215772	12246	Throat Plate Knife Follower

WORK PLATE PLATFORM

No.	Plate	Name
213855	11772	Work Plate
200019E	11771	" " Arm Screw
202622	11763	" " " " Washer
213856	11772	" " Bracket
200189C	11771	" " " Screw
200189C	11771	" " " Screw
213857	11772	" " Slide (back)
203301	11772	" " " (front)
213858	11772	Work Plate complete, Nos. 200019E, 202622, 203301, 213855 to 213857 and four 200189C

WOOD BASE (FLAT)

227493	12153	Bed Hinge Plate 202259 with two wood screws $\frac{3}{4}$ in., No. 13H
225589	—	Machine Cushion (leather)
227902	—	Wood Base with two 227493, four each 225589 and wood screws $\frac{1}{2}$ in., No. 10

WOOD BASE (OBLIQUE)

227903	—	Wood Base with two 227493, four 225589 and nine wood screws $\frac{1}{2}$ in., No. 10
--------	---	---

KNIFE GRINDER

No.	Plate	Name
206977	—	Emery Wheel, 2 in. diam.
206962	11296	" " Driving Shaft
201510D	11771	" " " " Nut
204101	11296	" " " " Washer er
206963	11296	Emery Wheel Driving Shaft Pulley with two 200403c
200403c	11771	Emery Wheel Driving Shaft Pulley Set Screw
206969	11296	Emery Wheel Washer (paper) ..
206964	—	Knife Grinder Frame with two 54897
54897	12245	Knife Grinder Frame Oil Cup
207029	11296	Knife Holder Slide Bracket with 200394c, 200457D and two 200473B
200457D	11296	Knife Holder Slide Bracket Adjust- ing Screw
206966	11296	Knife Holder Slide Bracket Adjust- ing Screw Slide Plate
200577H	12311	Knife Holder Slide Bracket Adjust- ing Screw Slide Plate Screw ...
200394c	11296	Knife Holder Slide Bracket Set Screw
206967	11296	Knife Holder Slide Bracket Shaft
207031	11296	" " " " Stop Col- lar with 200473B
200473B	11296	Knife Holder Slide Bracket Stop Collar Thumb Screw
200473B	11296	Knife Set Screw
207032	11296	Knife Grinder complete, Nos. 200577H, 201510D, 204101, 206962 to 206964, 206966, 206967, 206977, 207029, 207031 and two 206969 ..

KNIVES

No.	Plate	Name
207801	10620	Knife
207802	10620	"
207803	10620	"
207804	10620	"
207805	10620	"
207806	10620	"
207807	10620	"
207808	10620	"

OBSOLETE PARTS

No.	Plate	Name
202470	12320	Bobbin Winder Base
202471	12320	" " Frame
202472	12319	" " " Spring
202474	12320	" " Spindle
227522	12319	" " Stop Latch
202477	12319	" " " " Thumb Lever
227523	12320	Bobbin Winder complete, Nos. 200056E, 200161D, 200221D, 201537H, 202470 to 202474, 202477, 202478, 227522, three 200299H and two round head wood screws 1 in., No. 13
202480	12320	Bobbin Winder Spool Holder Base with 200355H and 202484
202481	12320	Bobbin Winder Spool Holder Base Spool Pin
202482	11155	Bobbin Winder Spool Holder Ten- sion Disc (lower or upper)
202483	11155	Bobbin Winder Spool Holder Ten- sion Disc Spring (brass)
202484	11155	Bobbin Winder Spool Holder Ten- sion Disc Thread Guide
202485	12320	Bobbin Winder Spool Holder com- plete, Nos. 200011E, 202480, 202481, 202483, two 202482 and one wood screw 1 in., No. 13

NUMERICAL LIST OF PARTS

No.	Plate	Name
2102	10881	Bobbin Winder Tension Disc, for 225462
36578	12153	Oiler with 36579
36579	12153	" Spout, 3½ in. long with 120117, for 36578
41400	12153	Machine Rest Pin (wood)
54897	12245	Knife Grinder Frame Oil Cup, for 206964
120117	—	Oiler Spout Washer (leather), for 36579
200002E	12310	Feed Driving Cam Fork Lever Con- nection Hinge Screw, for 213495
200008C	11778	Feed Dog Lever Post Support Screw
200008C	11778	Hook Post Screw
200010E	11763	Arm Base Screw
200011E	11155	Bobbin Winder Spool Holder Ten- sion Disc Screw, for 202485
200019E	11771	Work Plate Arm Screw, for 213858
200024C	11763	Feed Dog Lever Post Screw
200027E	12310	" Lifting Cam Fork Pinch Screw, for 204202
200031F	12311	Feed Driving Cam Fork Lever Con- nection Clamp Pinch Screw, for 204194
200042F	12311	Take-up Lever Bearing Screw, for 203271
200043C	12311	Feed Driving Cam Fork Lever Shaft Sleeve Set Screw
200043C	12311	Feed Driving Rock Shaft Center Set Screw
200043C	12311	Feed Lifting Rock Shaft Center Set Screw
200045E	12310	Feed Lifting Cam Screw, for 213157
200053C	12311	Face Plate Screw
200054E	12351	Arm Shaft Connection Screw, for 213432
200054E	12351	Feed Dog Lever Post Support Screw, for 221208
200056E	10882	Bobbin Winder Stop Latch Screw, for 225436 and 227523
200062H	12311	Balance Wheel Adjusting Screw ..
200072C	12374	Needle Bar Connecting Stud Pinch Screw, for 204249

PLATE 10472-ONE-HALF SIZE

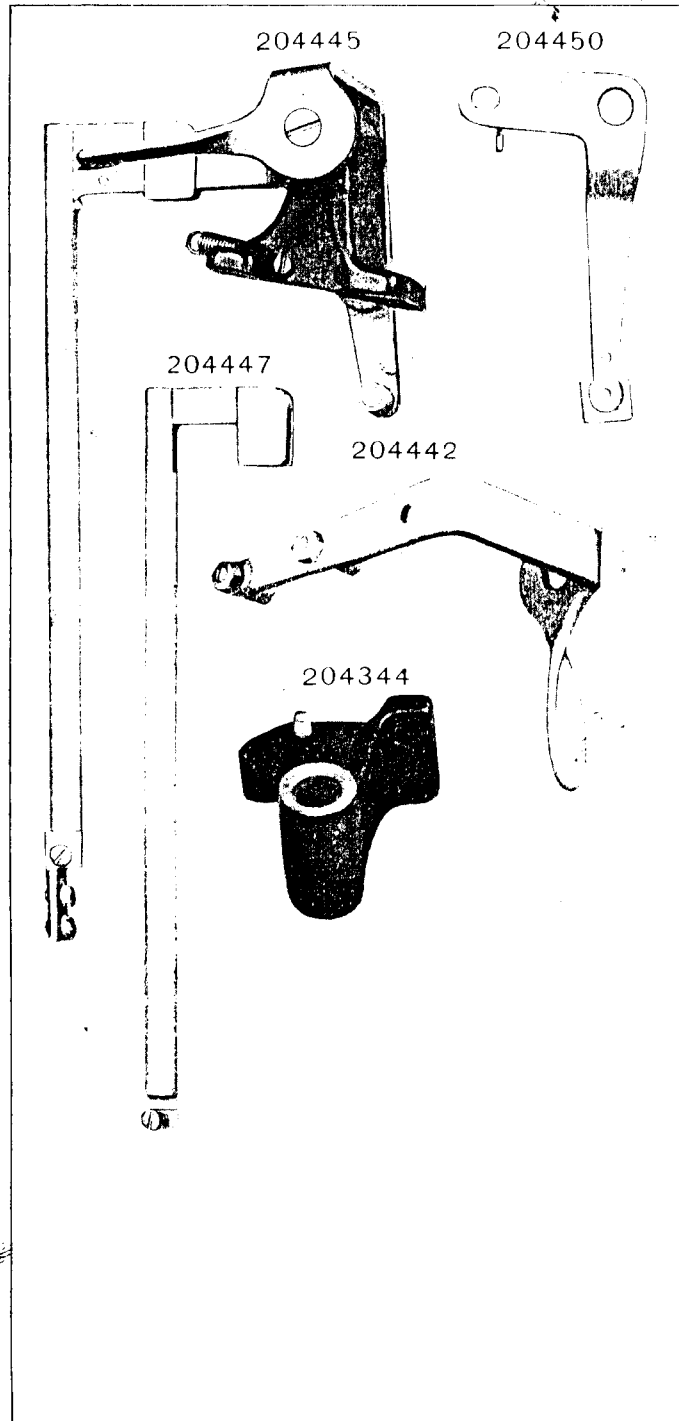
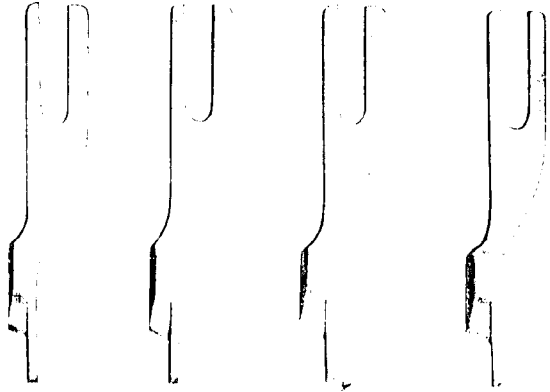


PLATE 10620—FULL SIZE

207801 207802 207803 207804



207805 207806 207807 207808

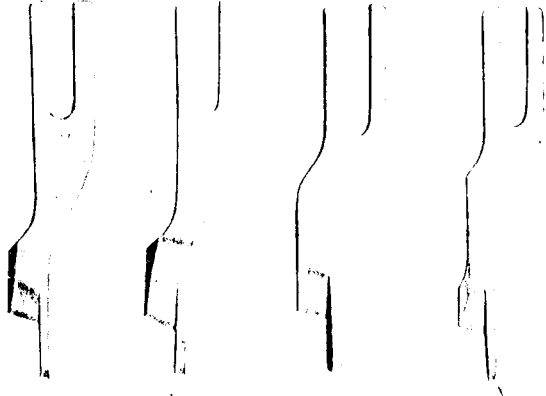
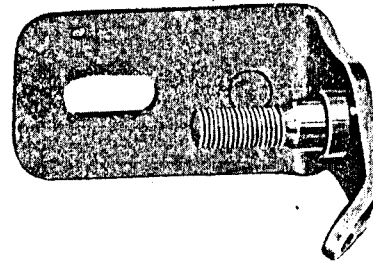


PLATE 10881—FULL SIZE

225461



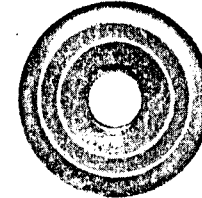
200082



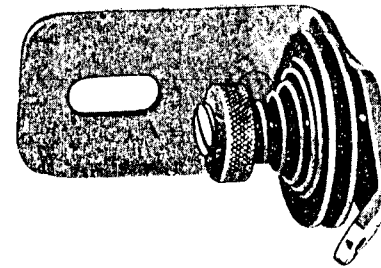
202104



2102



225462



202407



201499



201572



PLATE 10882—FULL SIZE

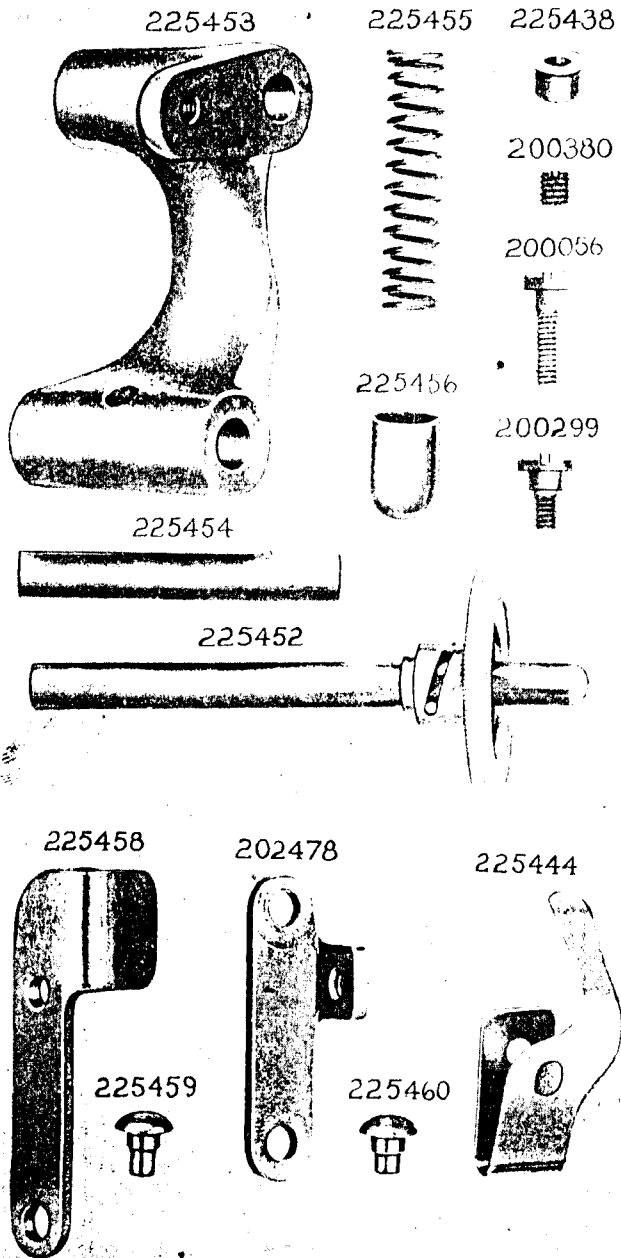


PLATE 10883 ONE-FOURTH SIZE

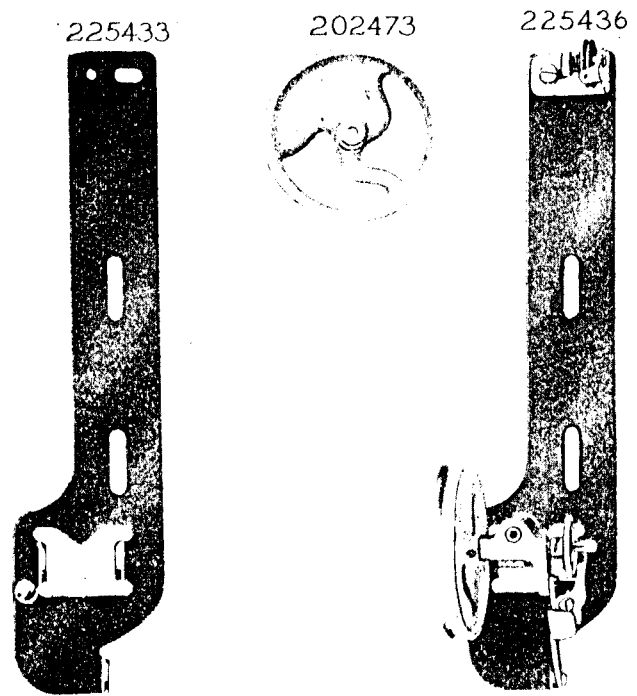


PLATE 11156 - ONE-FOURTH SIZE

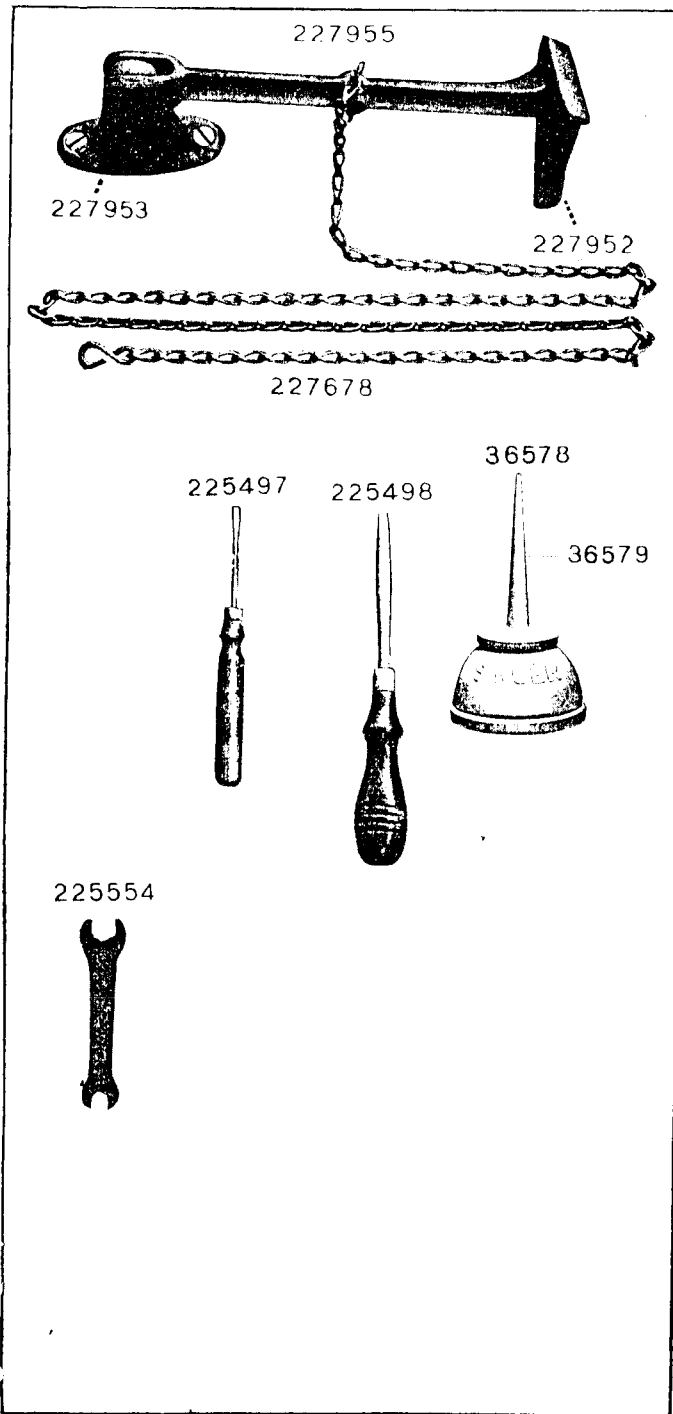


PLATE 11296 - ONE-HALF SIZE

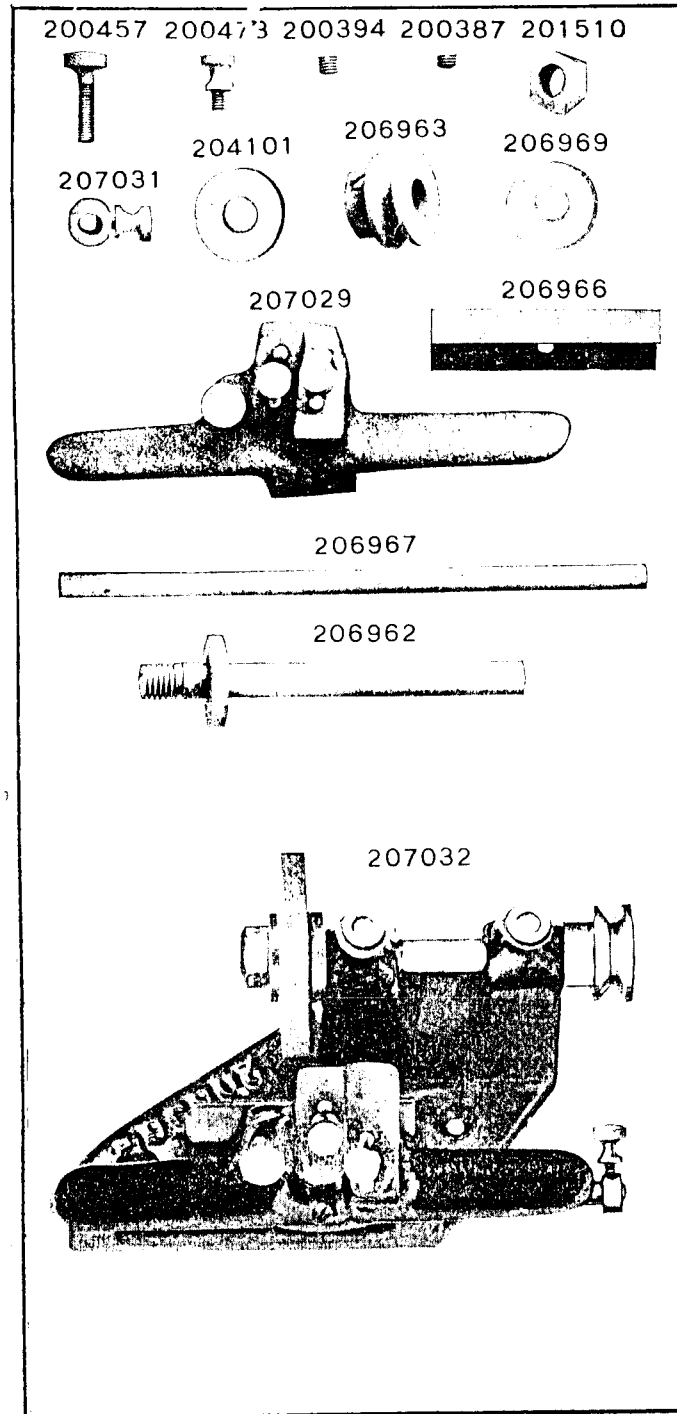


PLATE 11760--ONE-FOURTH SIZE

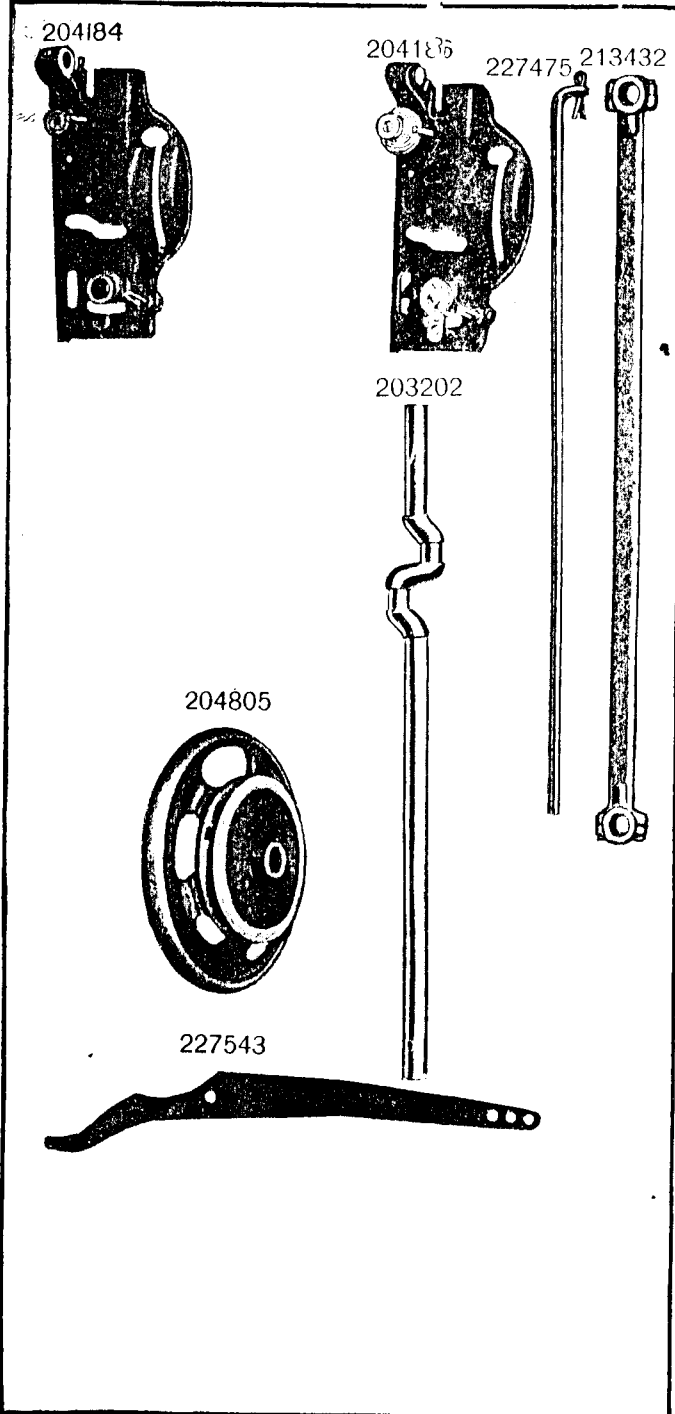


PLATE 11761--ONE-FOURTH SIZE

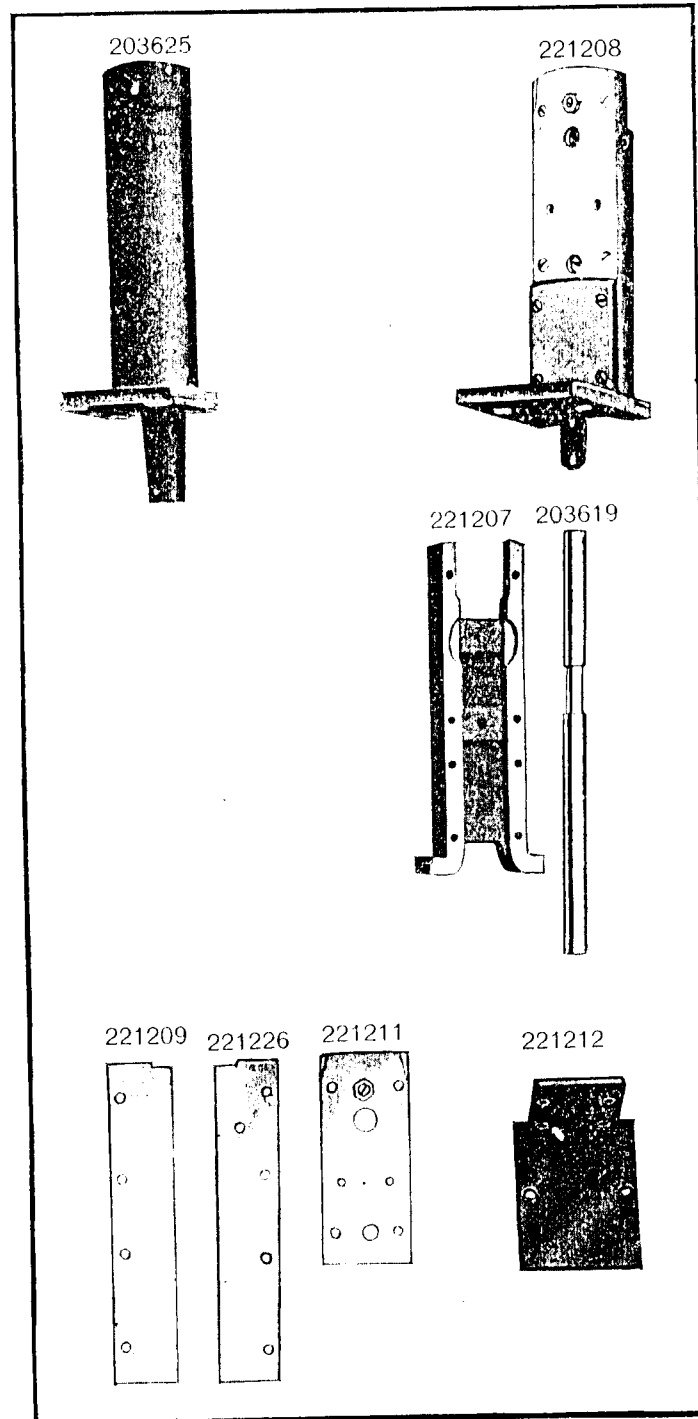


PLATE 11762-ONE-HALF SIZE

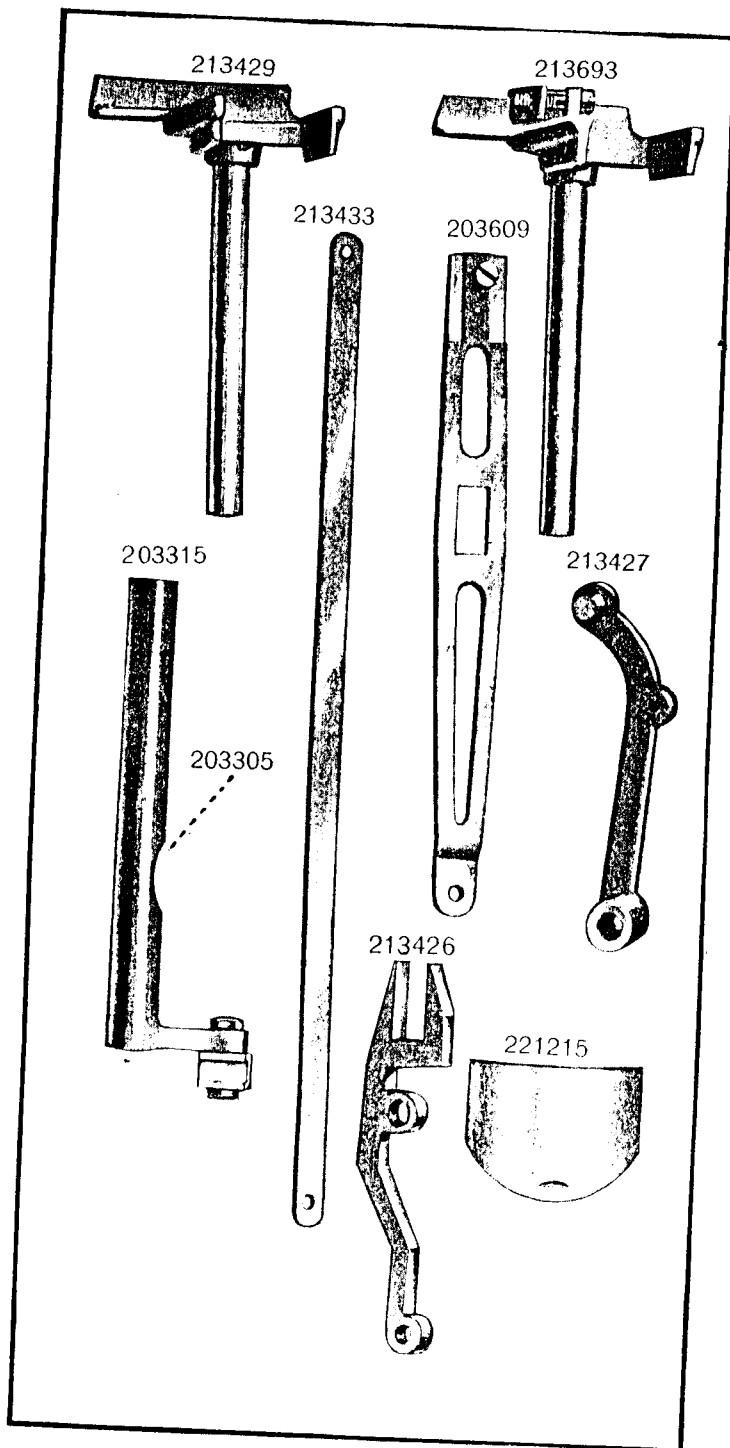


PLATE 11763-FULL SIZE

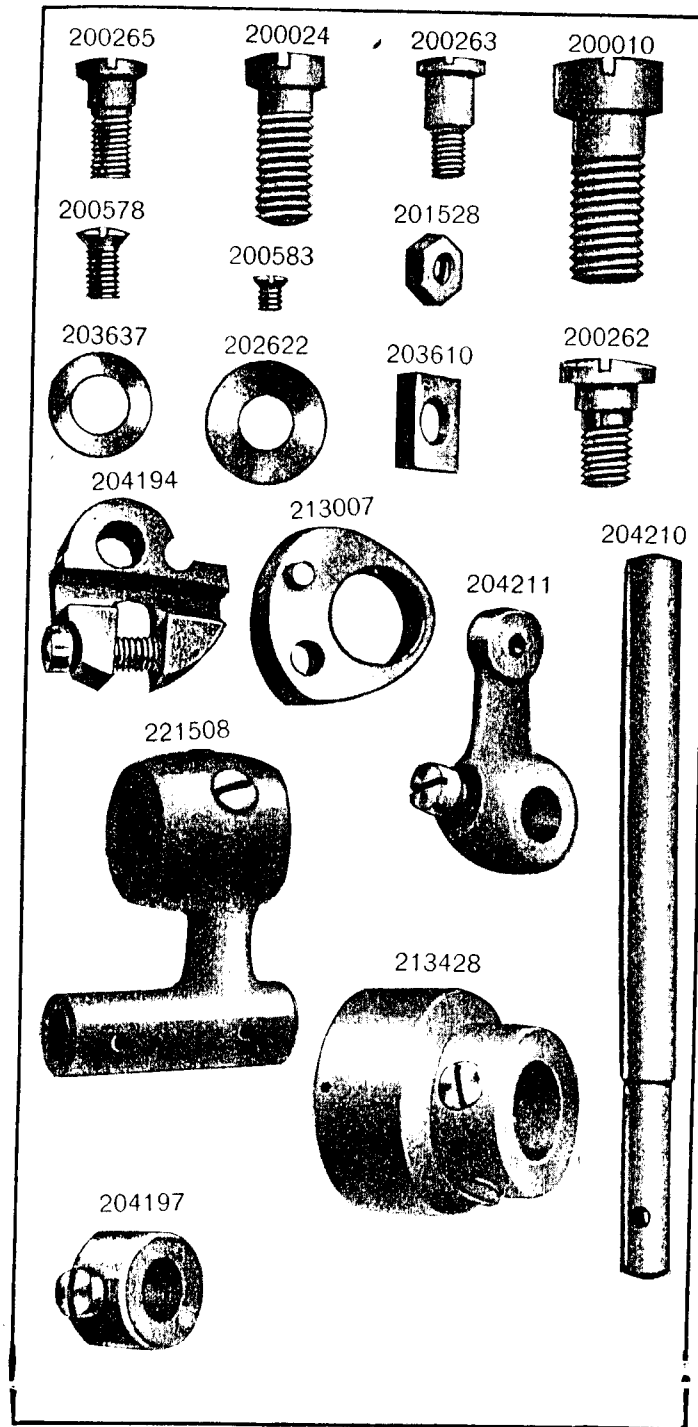


PLATE 11767-FULL SIZE

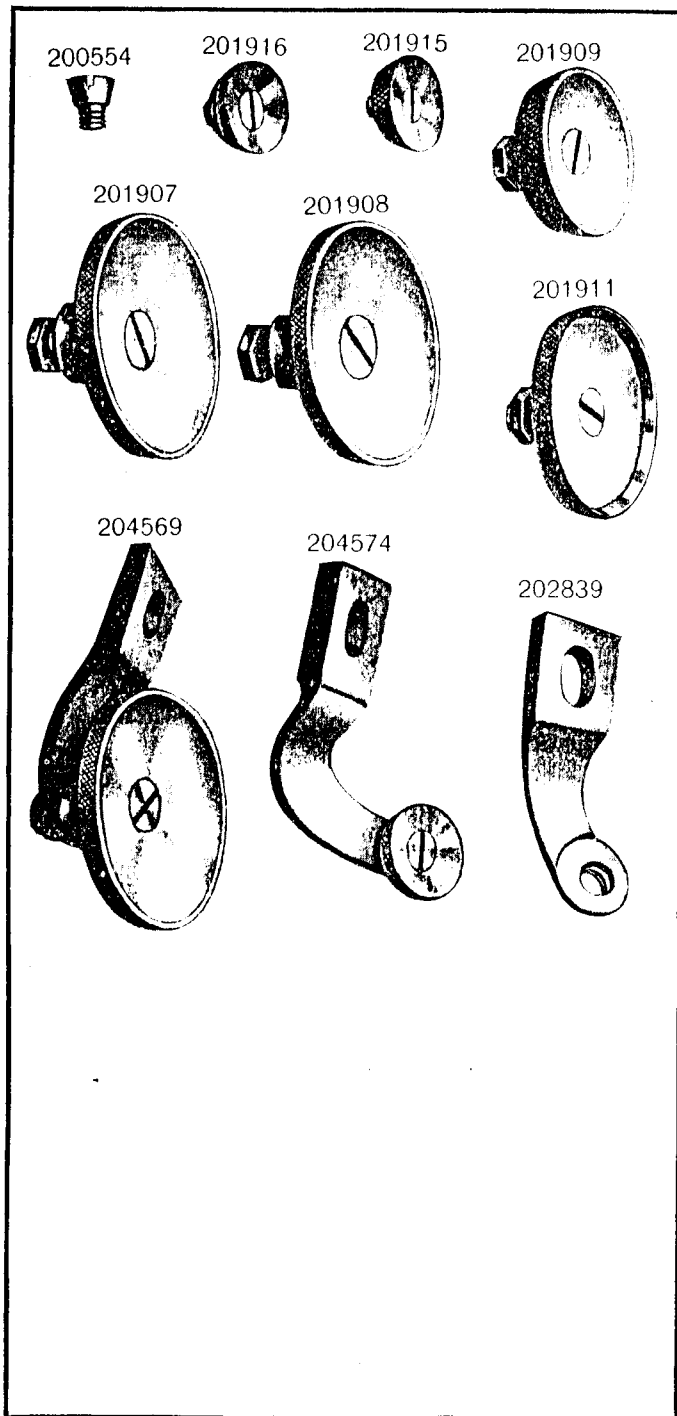


PLATE 11771-FULL SIZE

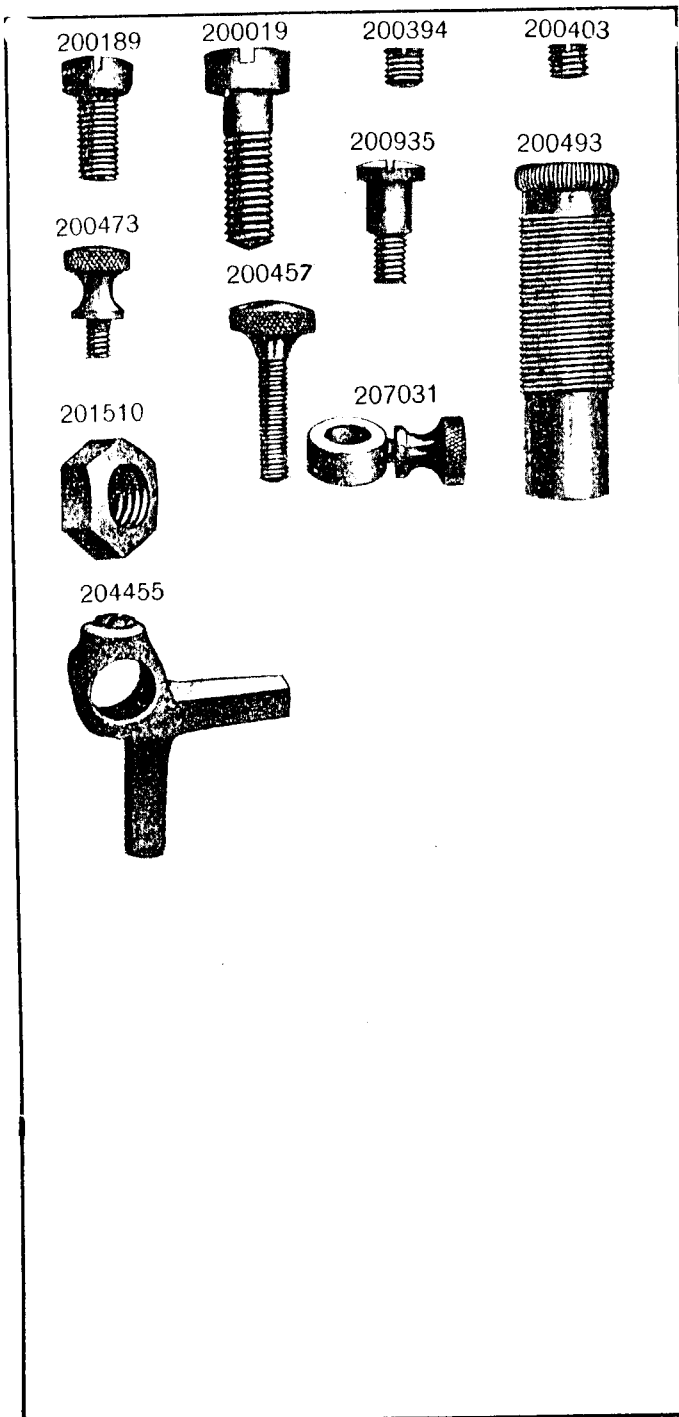


PLATE 11772-ONE-FOURTH SIZE

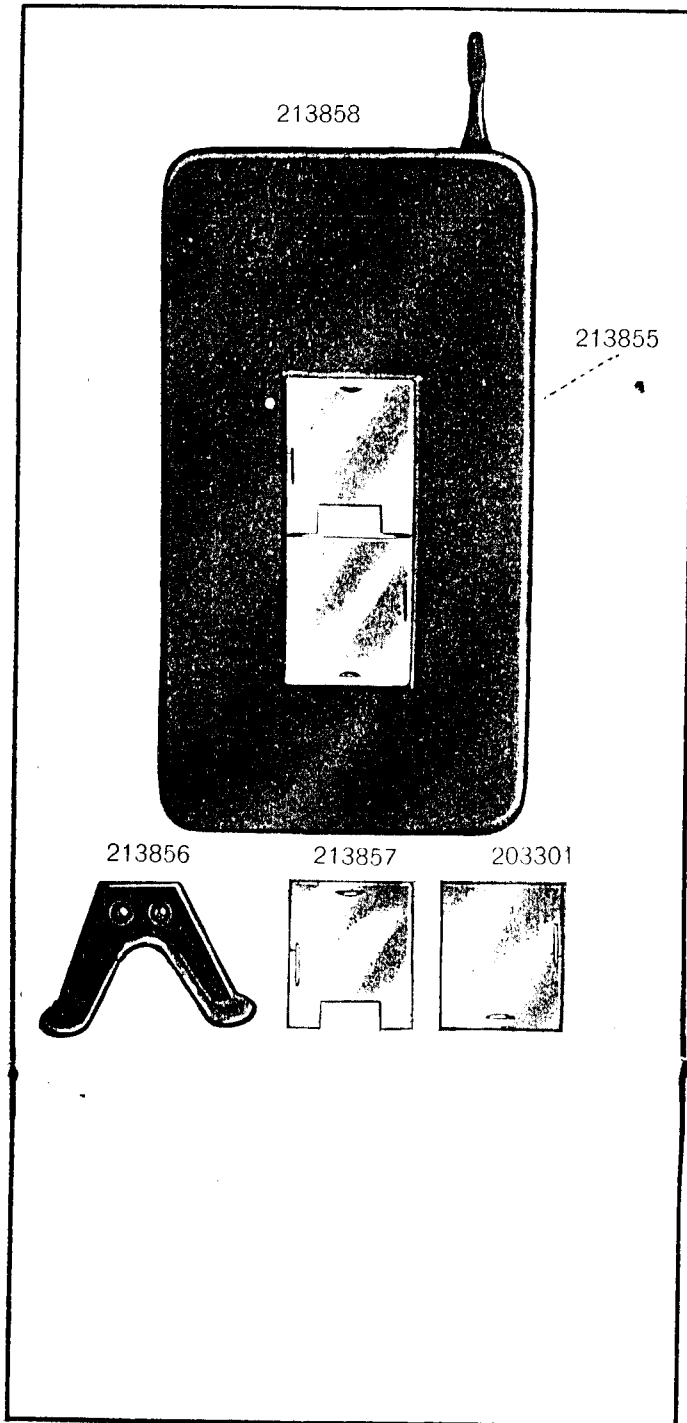


PLATE 11778-FULL SIZE

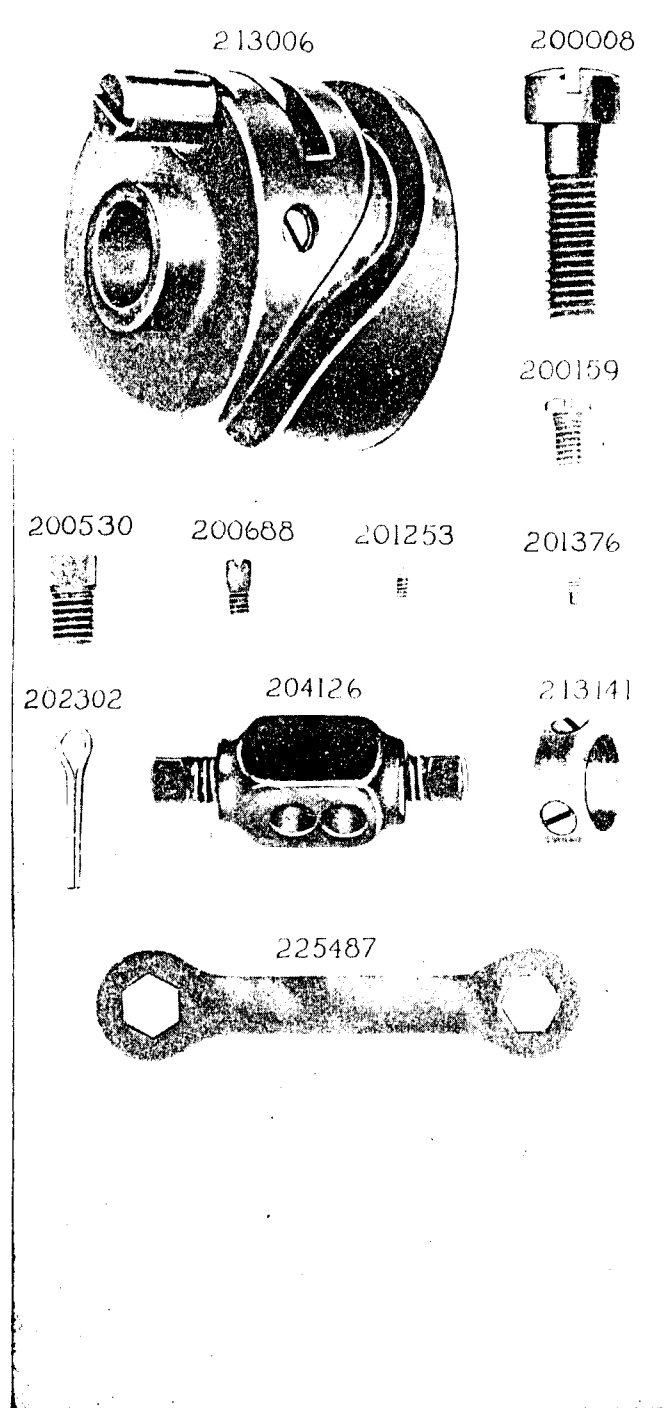


PLATE 12153—ONE-HALF SIZE

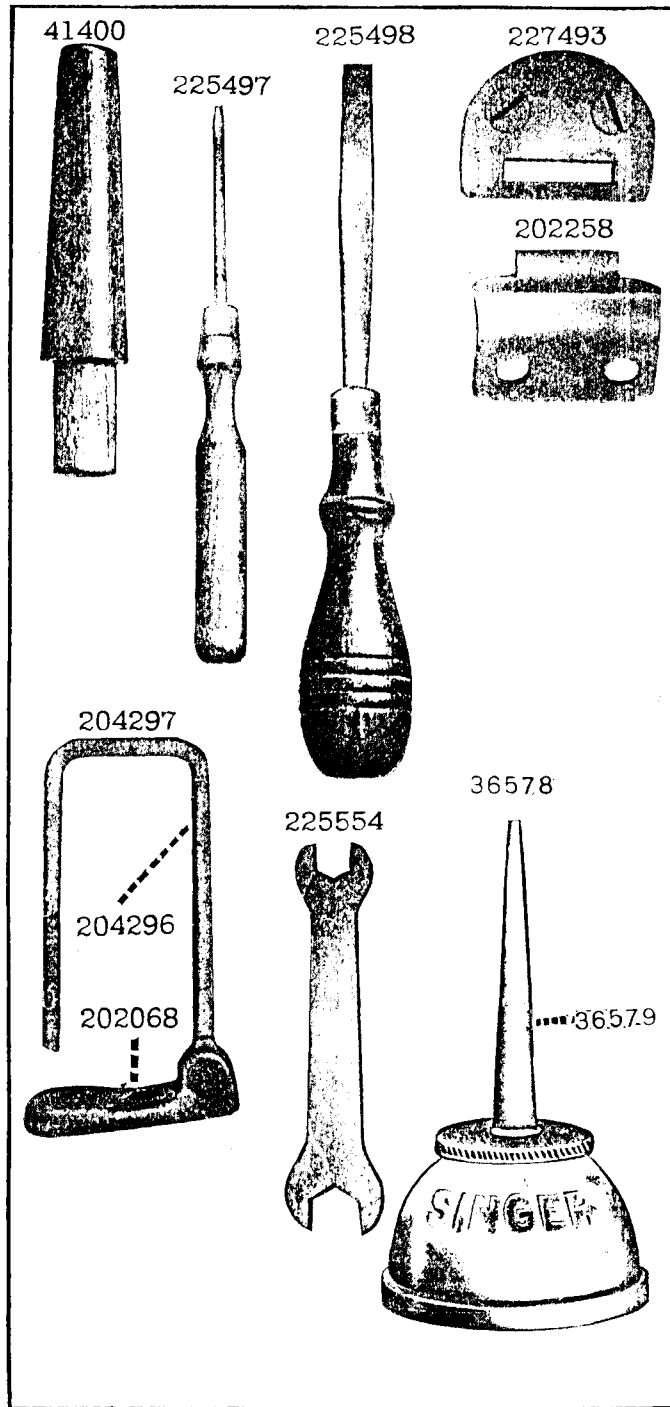


PLATE 12225—FULL SIZE

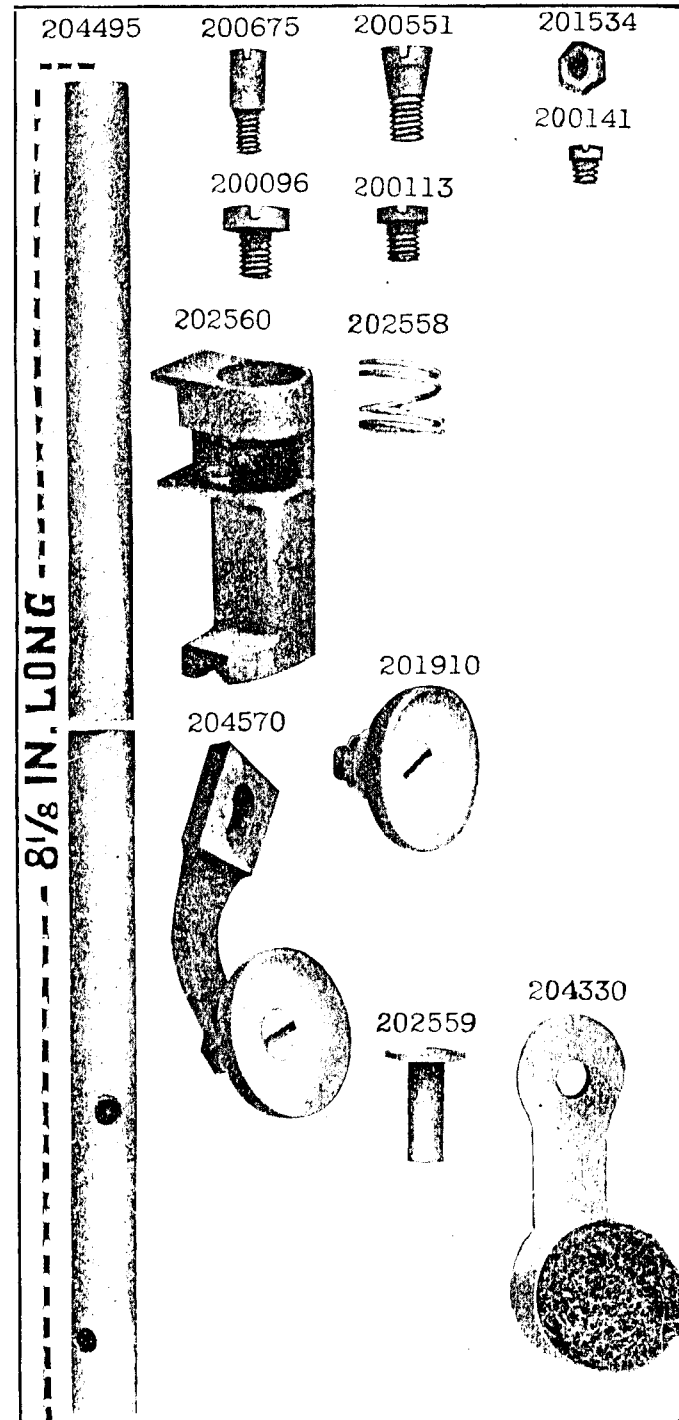


PLATE 12243—ONE-HALF SIZE

203247



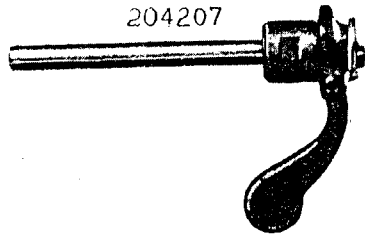
213770



204199



204207



203248

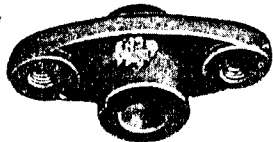


PLATE 12245—FULL SIZE

54897



201353



200347



200684



204258



200126



200178



204264



204925



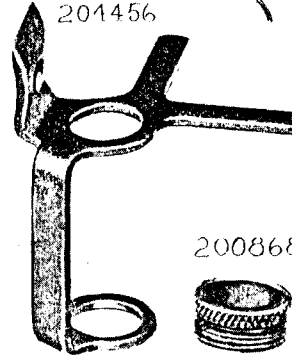
212664



204452



201456



200664



200868



204459



200595



200391



200420



200094



201808



201842



PLATE 12246-FULL SIZE

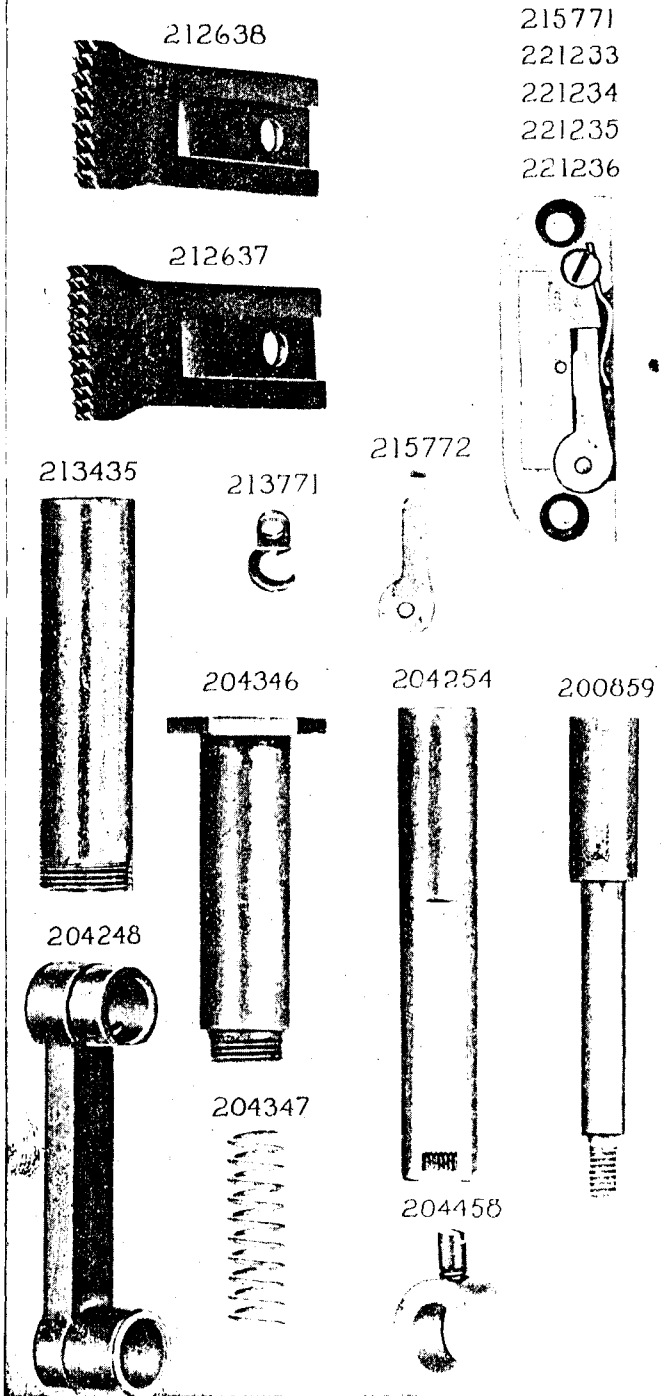


PLATE 12250-FULL SIZE

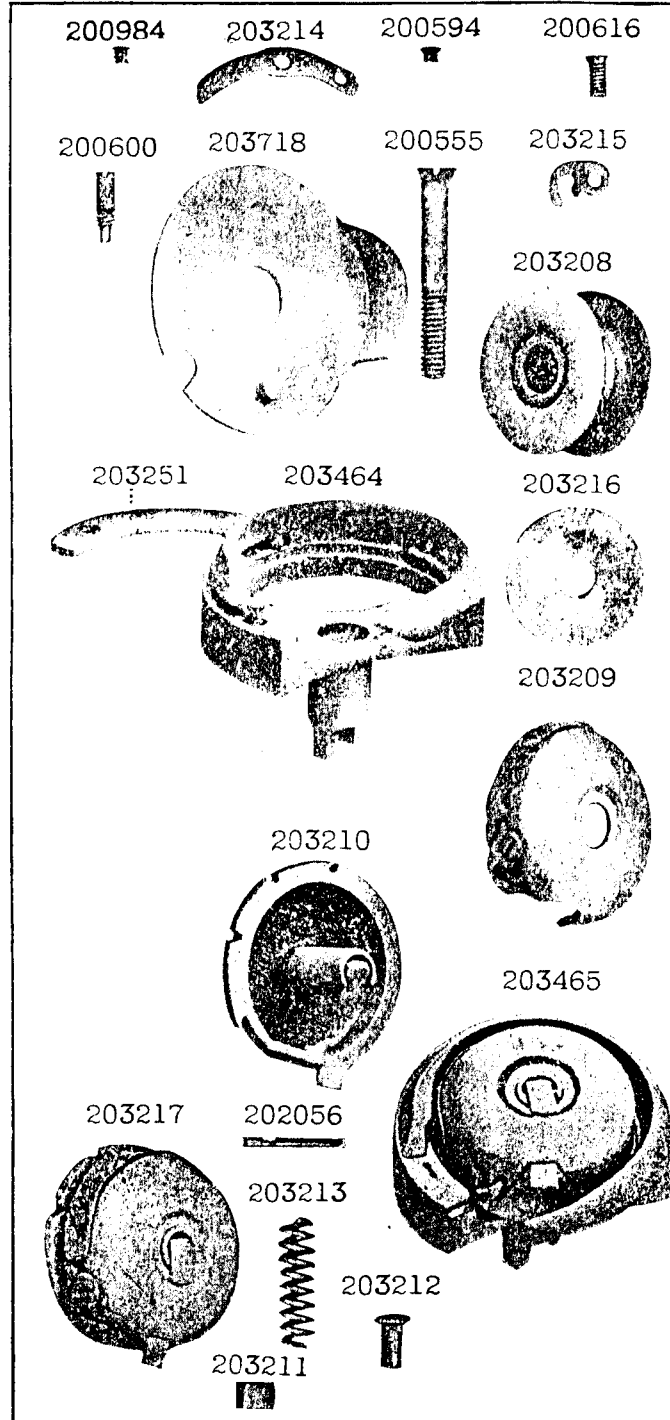


PLATE 12309 - FULL SIZE

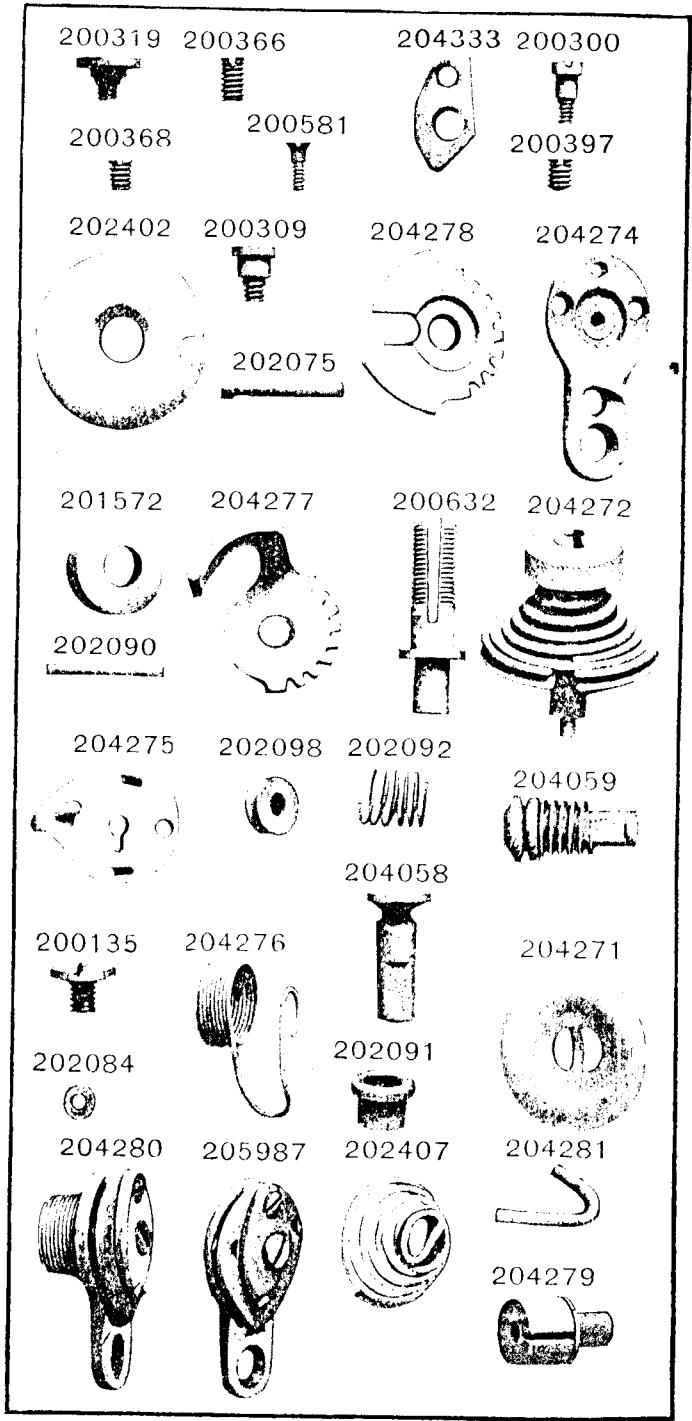


PLATE 12310 - FULL SIZE

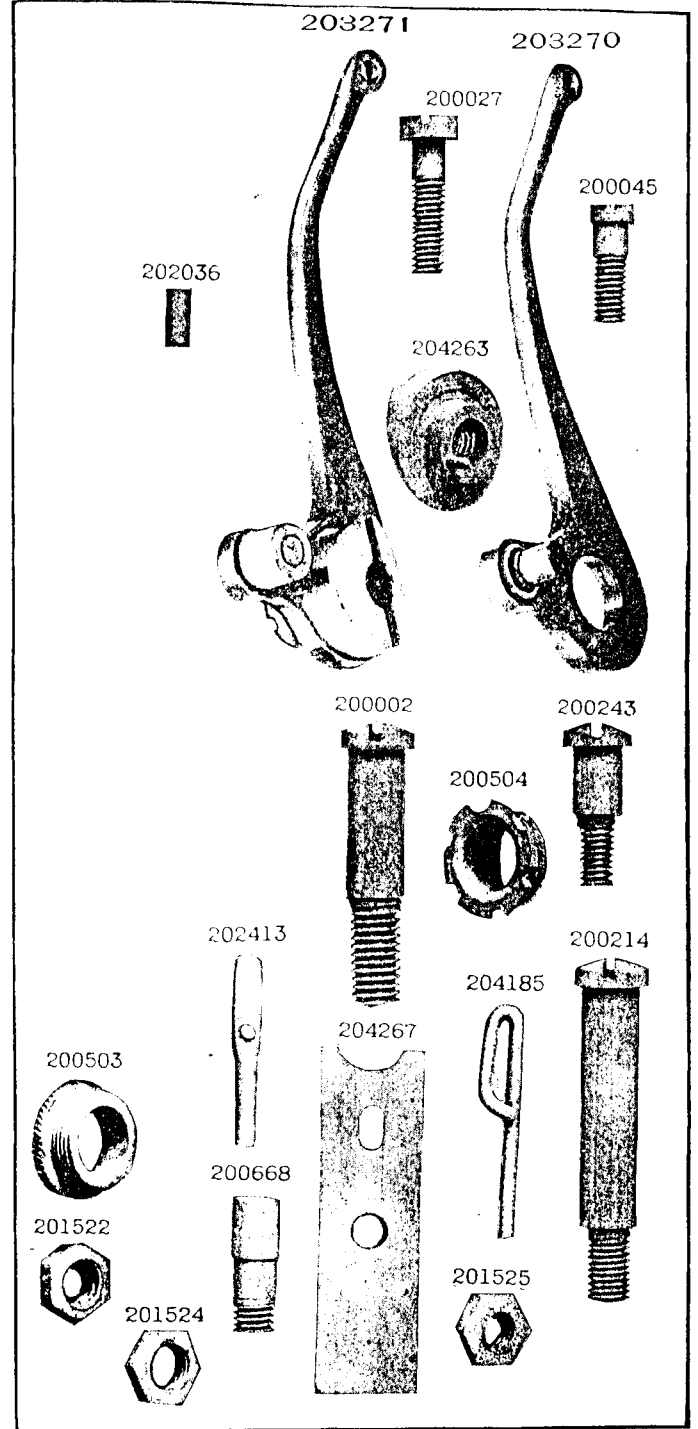


PLATE 12311-FULL SIZE

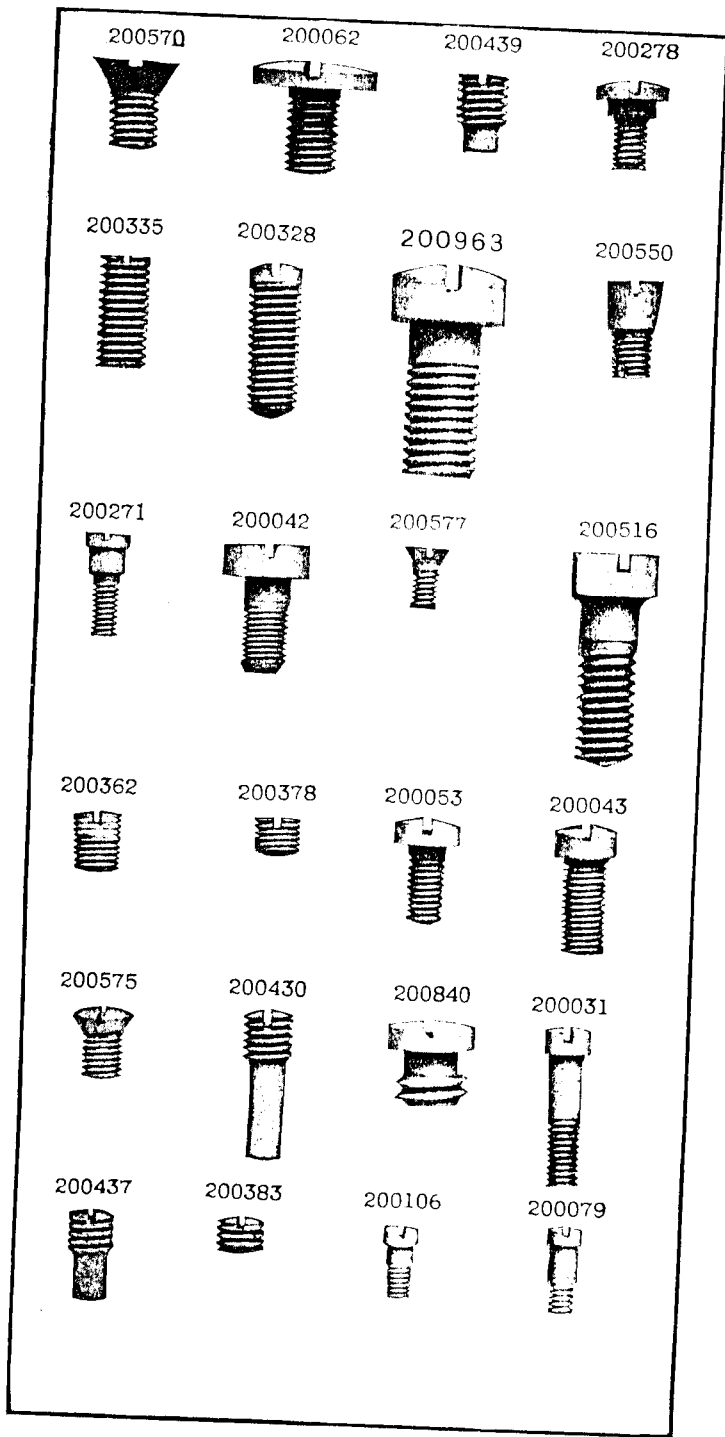


PLATE 12319 -FULL SIZE

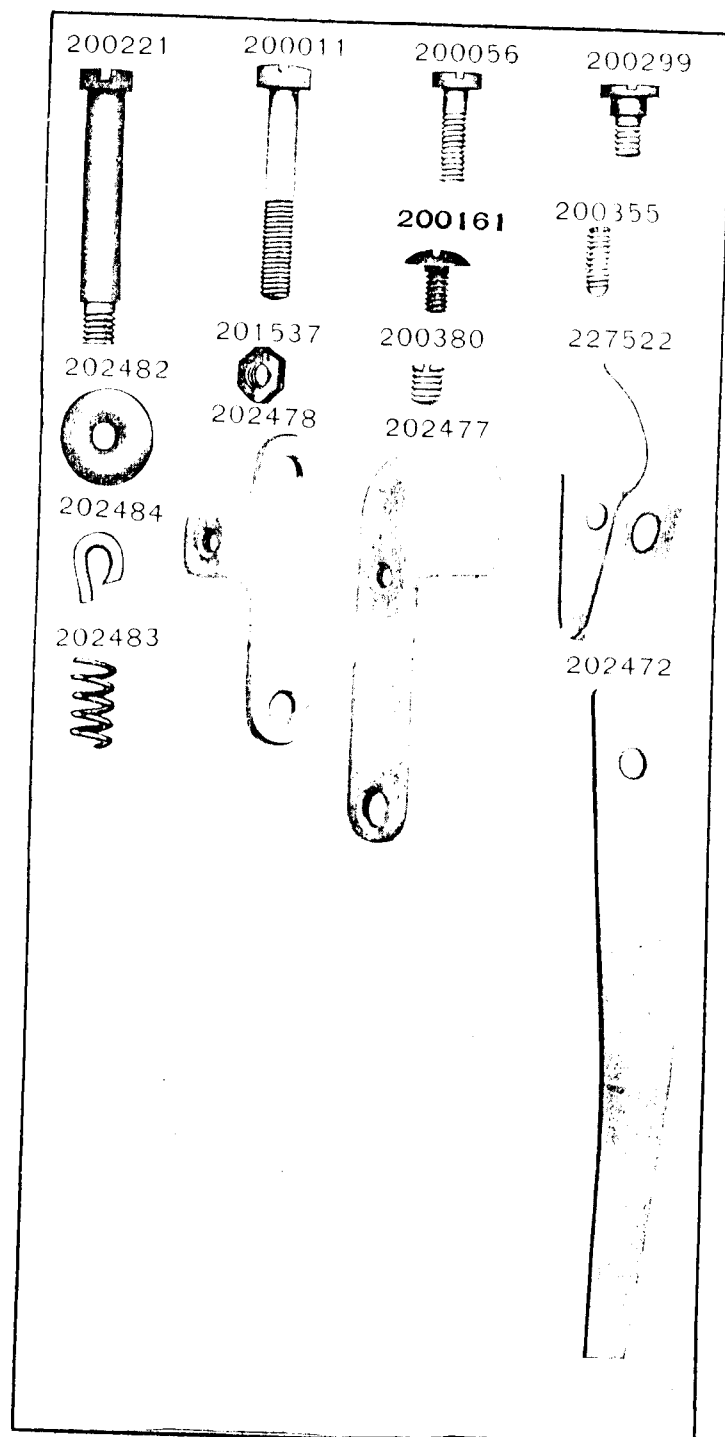


PLATE 12320—ONE-HALF SIZE

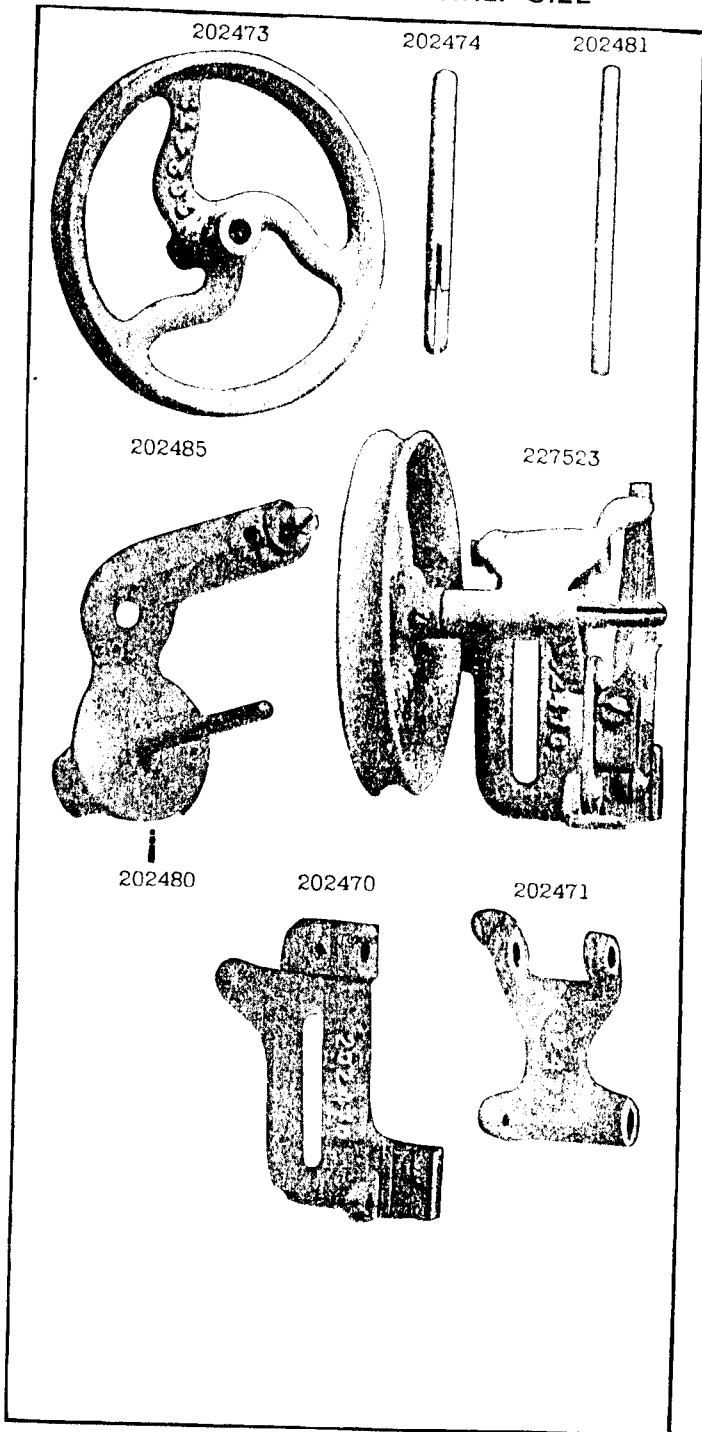


PLATE 12344—FULL SIZE

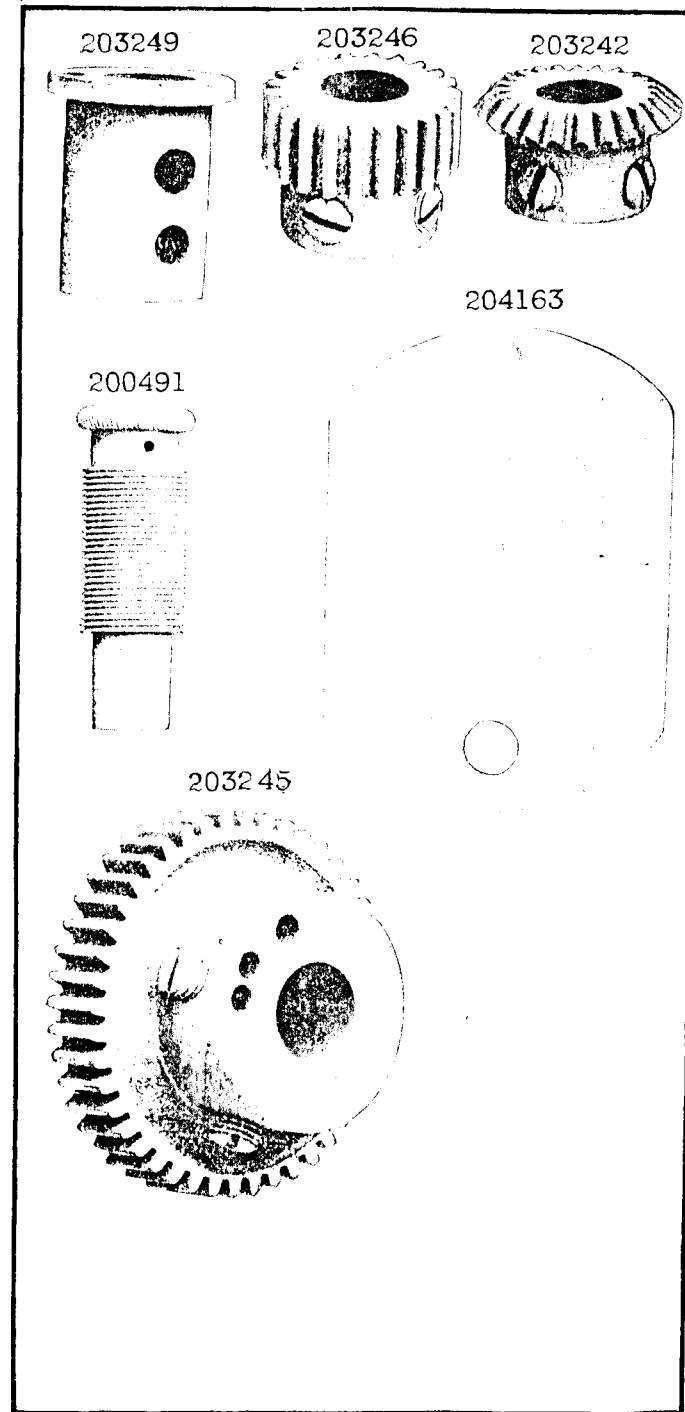


PLATE 12351—FULL SIZE

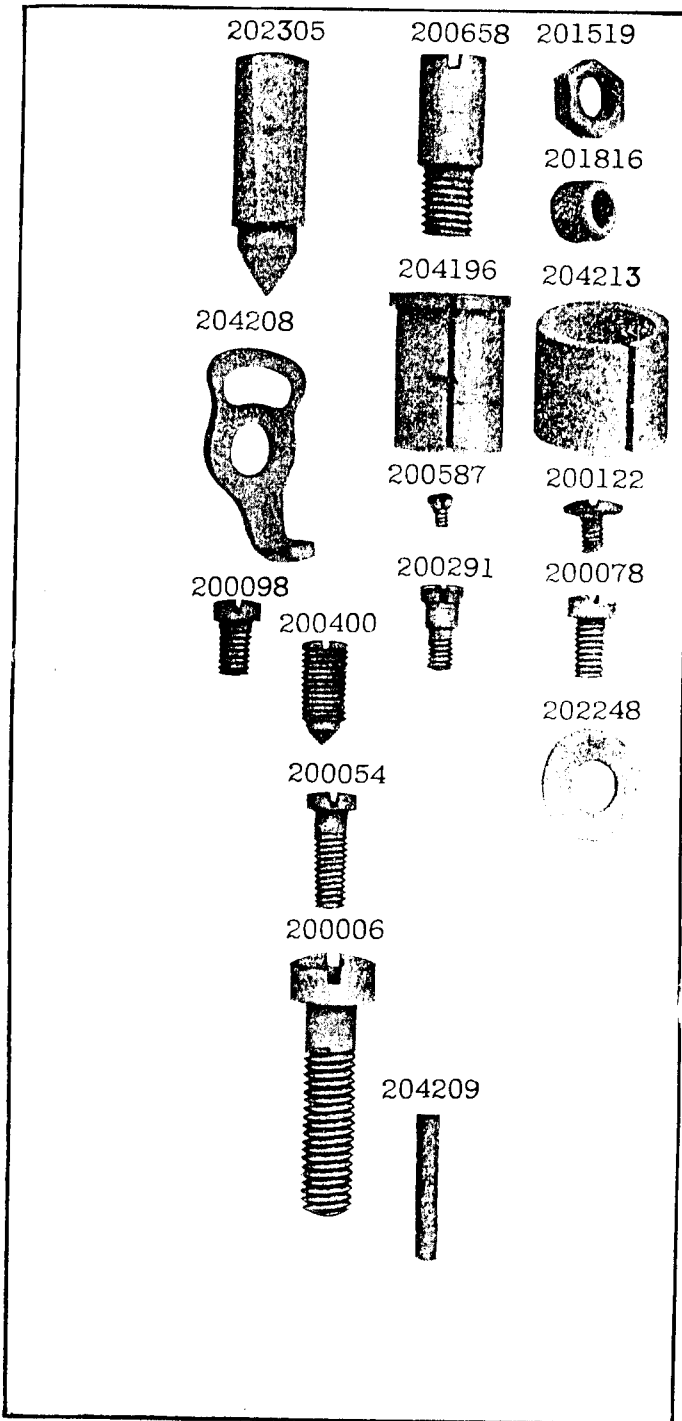


PLATE 12374—FULL SIZE

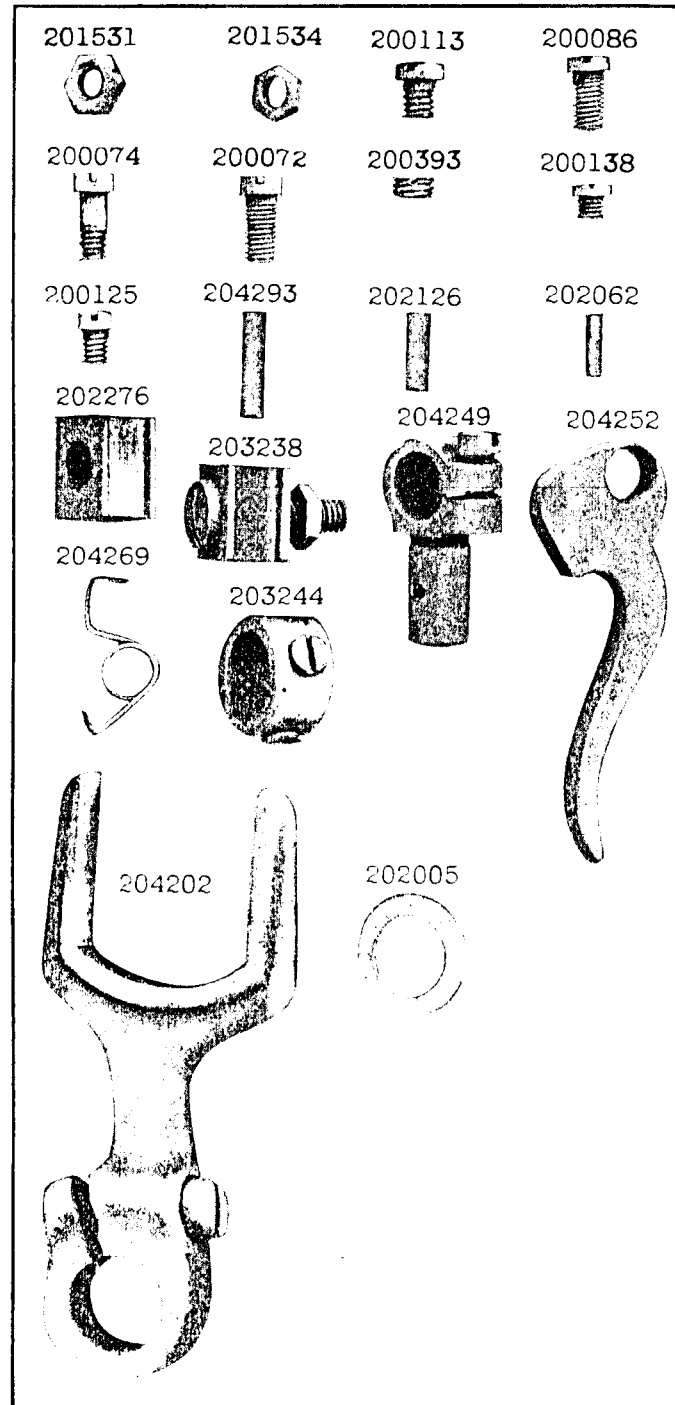


PLATE 12388—FULL SIZE

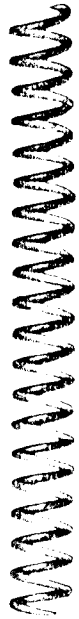
227227



202784



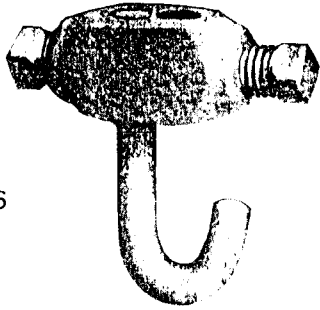
206628



225016



227576



227316

