

**1-Needle, Lockstitch, Unison-sewing Machine with
Automatic Thread Trimmer**

(2-pitch dial, needle thread clamp and 5mm short-thread remaining type)

一本針本縫総合送り自動糸切りミシン

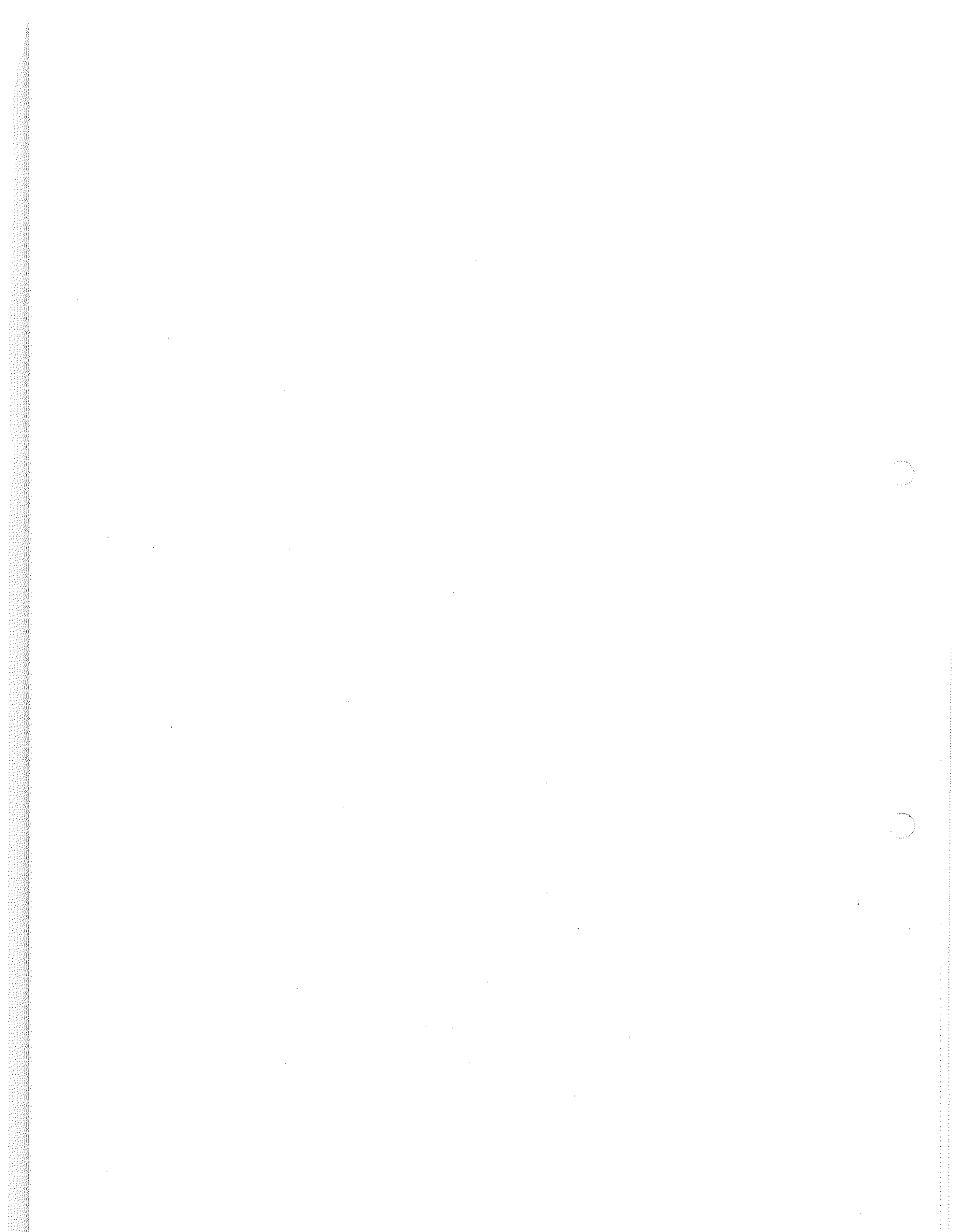
(2Pダイヤル、上糸掴み、5 mm 残短仕様)

LU-2220N-7

PARTS LIST

40063939

No.1495-00



HOW TO MAKE USE OF THIS PARTS LIST

- 1.As to "#01" and "#02" refer to the "Note" given at the bottom of the respective pages.
- 2.Codes on the "Qty" column
 - Each numeral indicates the number of parts required.
 - "0.1" and "2.5" indicate the length (in meters) of the respective parts.
- 3.Parentheses mean that the corresponding part is a subpart that constructs an assembly part.
- 4.Dotted lines on the Figures indicate assembly parts.
- 5.As to the parts with marks of "☆"(Consumable parts)and "◎"(optional parts)on the respectie parts, it is recommended to prepare spares.

パーツリストご利用に際して

1. リストページの #01、#02 の印は、ページ下の "注記" の説明を参照下さい。
2. 数量欄の数字は、個数を表し、0.1、2.5 等の数値は、長さ (単位メートル) を表します。
3. 数量欄の () は、組部品を構成している子部品であることを意味します。
4. イラストページの ----- 枠は、組構成であることを意味します。
5. リストページの "☆" (消耗部品)、"◎" (オプション部品) の印がついた部品は、予備を準備しておくことをお奨めします。

CONTENTS

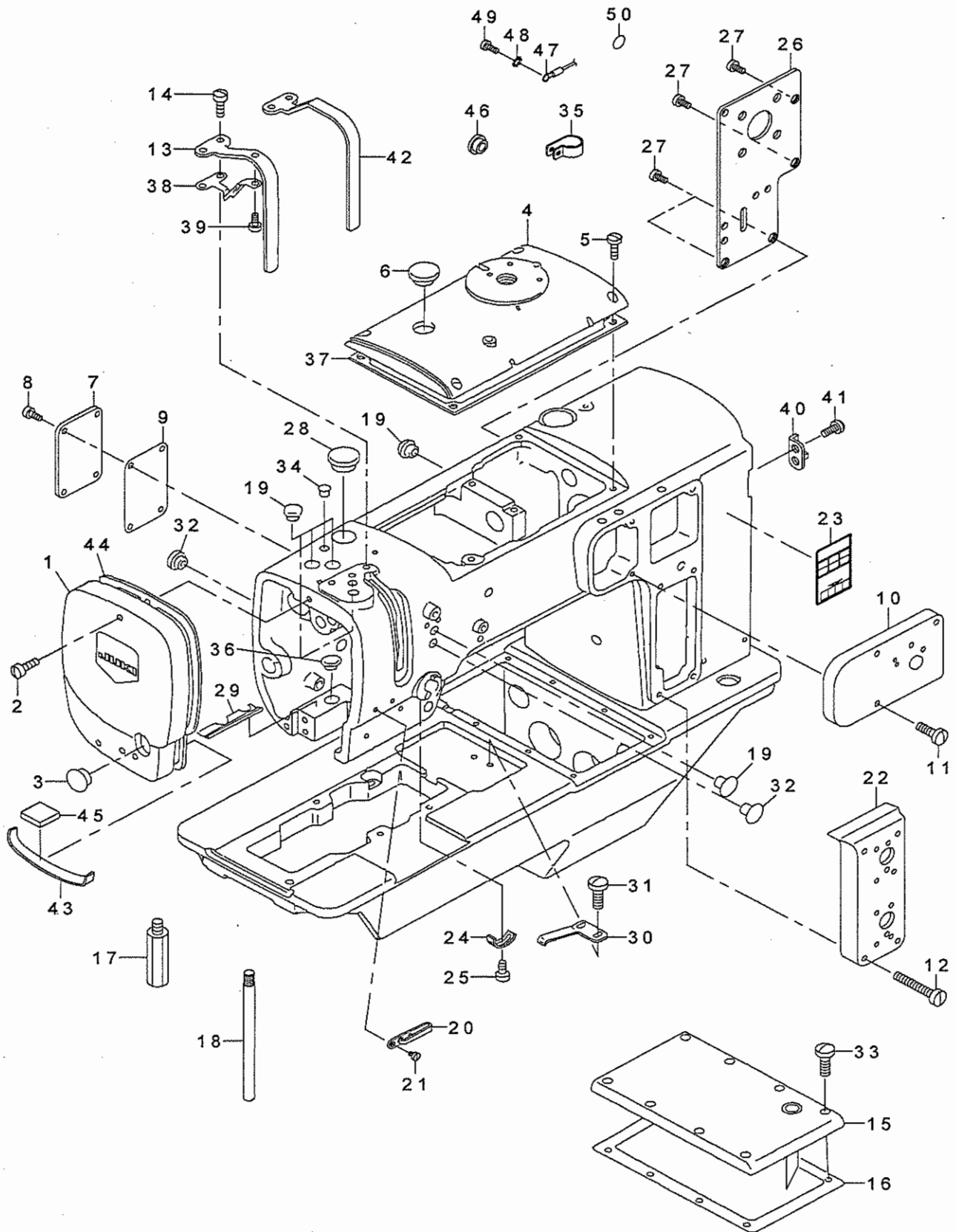
目次

| | |
|--|----|
| 1. FRAME & MISCELLANEOUS COVER COMPONENTS | 1 |
| 頭部・外装関係 | |
| 2. MAIN SHAFT,HOOK DRIVING SHAFT DELIVERY & THREAD TAKE-UP LEVER COMPONENTS | 3 |
| 上軸・下軸伝達装置・天秤関係 | |
| 3. NEEDLE BAR ROCKING COMPONENTS | 5 |
| 針棒揺動関係 | |
| 4. UPPER FEED MECHANISM COMPONENTS..... | 7 |
| 上送り関係 | |
| 5. FEED ADJUSTMENT & REVERSE FEED MECHANISM COMPONENTS..... | 9 |
| 送り調節・逆送り関係 | |
| 6. LOWER FEED MECHANISM COMPONENTS..... | 11 |
| 下送り関係 | |
| 7. THREAD TRIMMER COMPONENTS (1)..... | 13 |
| 糸切り関係（1） | |
| 8. THREAD TRIMMER COMPONENTS (2)..... | 15 |
| 糸切り関係（2） | |
| 9. HOOK SHAFT BASE COMPONENTS..... | 17 |
| 釜軸台関係 | |
| 10. HOOK COMPONENTS..... | 19 |
| 釜関係 | |
| 11. NEEDLE THREAD CLAMP MECHANISM COMPONENTS | 20 |
| 上糸掴み装置関係 | |
| 12. THREAD TENSION COMPONENTS..... | 21 |
| 糸調子関係 | |
| 13. LOWER THREAD WINDER MECHANISM COMPONENTS..... | 22 |
| 下糸巻き装置関係 | |
| 14. PRESSURE ADJUSTING COMPONENTS | 23 |
| 押え圧調節関係 | |
| 15. PRESSER LIFTER,AUTOMATIC PRESSER LIFTER & TENSION RELEASE MECHANISM COMPONENTS | 24 |
| 押え上げ・自動押え上げ・糸ゆるめ機構関係 | |
| 16. 2P DEVICE..... | 25 |
| 2 P 装置 | |
| 17. MUTUAL RISING QUANTITY TRANSFER COMPONENTS..... | 26 |
| 交互上昇量切替装置関係 | |
| 18. BACK TUCK COMPONENTS..... | 27 |
| バックタック関係 | |
| 19. LUBRICATION COMPONENTS | 29 |
| 給油関係 | |
| 20. 6RANG SWITCH COMPONENTS..... | 31 |
| 6連スイッチ関係 | |

| | |
|---|----|
| エア—装置関係 | |
| 22. TABLE & BELT COVER COMPONENTS | 33 |
| テーブル・ベルトカバー関係 | |
| 23. THREAD STAND COMPONENTS..... | 34 |
| 糸立て装置関係 | |
| 24. GAUGE COMPONENTS..... | 35 |
| ゲージ関係 | |
| 25. ACCESSORIES PARTS COMPONENTS..... | 36 |
| 付属品関係 | |
| 26. TABLE OF EXCHANGING GAUGE PARTS (1) | 37 |
| 交換ゲージ部品一覧表 (1) | |
| 27. TABLE OF EXCHANGING GAUGE PARTS (2) | 39 |
| 交換ゲージ部品一覧表 (2) | |
| NUMERICAL INDEX OF PARTS..... | 41 |
| 索引 | |

1. FRAME & MISCELLANEOUS COVER COMPONENTS

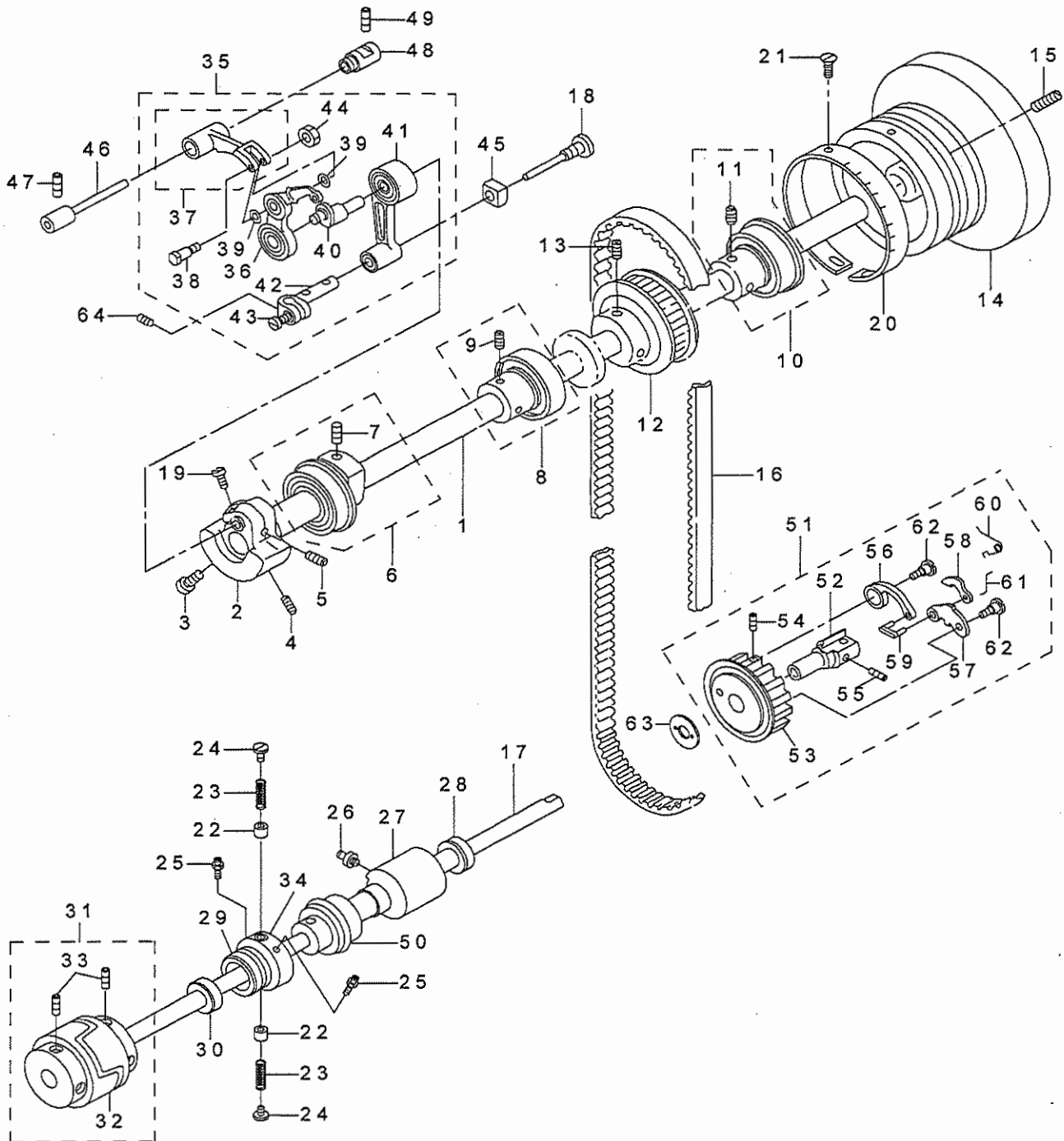
頭部・外装関係



| | | | | | |
|----|-----|---------------|---|------------------------|---|
| 1 | | 107-43151 | FACE PLATE ASM. | 面板組 | 1 |
| 2 | | SS-7121610-SP | SCREW 3/16-28 L=15.5 | 丸平ねじ 3/16-28 L=15.5 | 2 |
| 3 | | TA-1250406-R0 | RUBBER PLUG D=12.5 L=4 | 止栓 D=12.5 L=4 | 1 |
| 4 | | 400-64238 | TOP_COVER_ASM. | トップカバー (組) | 1 |
| 5 | | SS-6121010-SP | SCREW 3/16-28 L=10 | 平ねじ 3/16-28 L=10 | 4 |
| 6 | | TA-2050406-R0 | RUBBER PLUG | 止栓 | 1 |
| 7 | | 107-43003 | SIDE COVER | 側面カバー | 1 |
| 8 | | SS-6121010-SP | SCREW 3/16-28 L=10 | 平ねじ 3/16-28 L=10 | 4 |
| 9 | | 107-00706 | SIDE COVER PACKING | 側面カバーパッキン | 1 |
| 10 | | 400-27140 | FACE APERTURE PLATE (A) ASM. | 正面窓 A (組) | 1 |
| 11 | | SS-7121610-SP | SCREW 3/16-28 L=15.5 | 丸平ねじ 3/16-28 L=15.5 | 3 |
| 12 | | SS-6123010-SP | SCREW 3/16-28 L=30.0 | 平ねじ 3/16-28 L=30 | 4 |
| 13 | #01 | 107-43201 | THREAD TAKE-UP COVER | 天秤カバー | 1 |
| 14 | | SS-6121010-SP | SCREW 3/16-28 L=10 | 平ねじ 3/16-28 L=10 | 2 |
| 15 | | 107-42856 | BED TOP COVER ASM. | ベッド上面カバー (組) | 1 |
| 16 | | 107-01209 | TOP COVER PACKING | 上面カバーパッキン | 1 |
| 17 | | 107-01308 | BED STRUT | ベッド支柱 | 1 |
| 18 | | 107-77308 | BED STEWC | ベッド支柱 C | 1 |
| 19 | | TA-1050504-R0 | RUBBER PLUG | 止栓 | 5 |
| 20 | | 226-03203 | THREAD GUIDE(LOWER) | 糸案内 (下) | 1 |
| 21 | | SS-6090510-TP | SCREW 9/64-40 L=5.0 | 平ねじ 9/64-40 L=5 | 1 |
| 22 | | 400-27141 | FACE APERTURE PLATE (B) ASM. | 正面窓 B (組) | 1 |
| 23 | | CM-3012000-01 | SAFETY LABEL_S | 頭部注意安全 シール (小) | 1 |
| 24 | | B3138-512-000 | TAKE-UP SPRING ADJUSTING PLATE | 糸取りばね案内調節板 | 1 |
| 25 | | SS-7090520-TP | SCREW 9/64-40 L=4.5 | 丸平ねじ 9/64-40 L=4.5 | 1 |
| 26 | | 400-25562 | APERTURE PLATE (A) | 窓板 (A) | 1 |
| 27 | | SS-6121010-SP | SCREW 3/16-28 L=10 | 平ねじ 3/16-28 L=10 | 4 |
| 28 | | TA-2050406-R0 | RUBBER PLUG | 止栓 | 1 |
| 29 | | 107-31701 | RUBBER | 油防ゴム | 1 |
| 30 | | B1111-563-000 | BED SLIDE SPRING | 滑り板ばね | 1 |
| 31 | | SS-7110510-SP | SCREW 11/64-40 L=5 | 丸平ねじ 11/64-40 L=5 | 2 |
| 32 | | B1150-490-000 | RUBBER PLUG | 上送り連結腕キャップ | 2 |
| 33 | | SS-7110910-TP | SCREW 11/64-40 L=8.5 | 丸平ねじ 11/64-40 L=8.5 | 8 |
| 34 | | TA-0750704-R0 | RUBBER PLUG | 止栓 | 1 |
| 35 | | HX-0015000-OJ | CLIP | ケーブルクリップ | 1 |
| 36 | | TA-1250504-R0 | RUBBER PLUG | 止栓 | 1 |
| 37 | | 107-00508 | TOP COVER PACKING | トップカバーパッキン | 1 |
| 38 | #01 | 107-09004 | PLATE | 天秤油防板 | 1 |
| 39 | #01 | SS-6110480-SP | SCREW 11/64-40 L=4.3 | 平ねじ 11/64-40 L=4.3 | 1 |
| 40 | | 107-45800 | FLYWHEEL POINTER | はずみ車 | 1 |
| 41 | | SS-7110510-SP | SCREW 11/64-40 L=5 | 丸平ねじ 11/64-40 L=5 | 2 |
| 42 | #02 | 107-54901 | THREAD TAKE-UP COVER | 天秤カバー (JE仕様) | 1 |
| 43 | | 107-33103 | FACE PLATE FELT | 面板フェルト | 1 |
| 44 | | 107-04609 | FACE PLATE PACKING | 面板パッキン | 1 |
| 45 | | B3510-019-000 | OIL FELT | 還流フェルト | 1 |
| 46 | | 107-32204 | CORD BUSH | コードブッシュ | 1 |
| 47 | | 229-51552 | GROUND WIRE ASM. | アースコード (組) | 1 |
| 48 | | WT-0530002-KS | TOOTHED WASHER D=5.3 | 歯付座金 D=5.3 | 1 |
| 49 | | SS-6111140-SP | SCREW 11/64-40 L=11 | 平ねじ 11/64-40 L=11 | 1 |
| 50 | | 229-01805 | GROUND MARK | グラウンドマーク | 1 |
| | | NOTE(注記) | #01.....EXCEPT USE IN JAPAN ,JE #02.....FOR USE IN JAPAN ,JE | 日本 ,JE は除く 日本 ,JE 用 | |

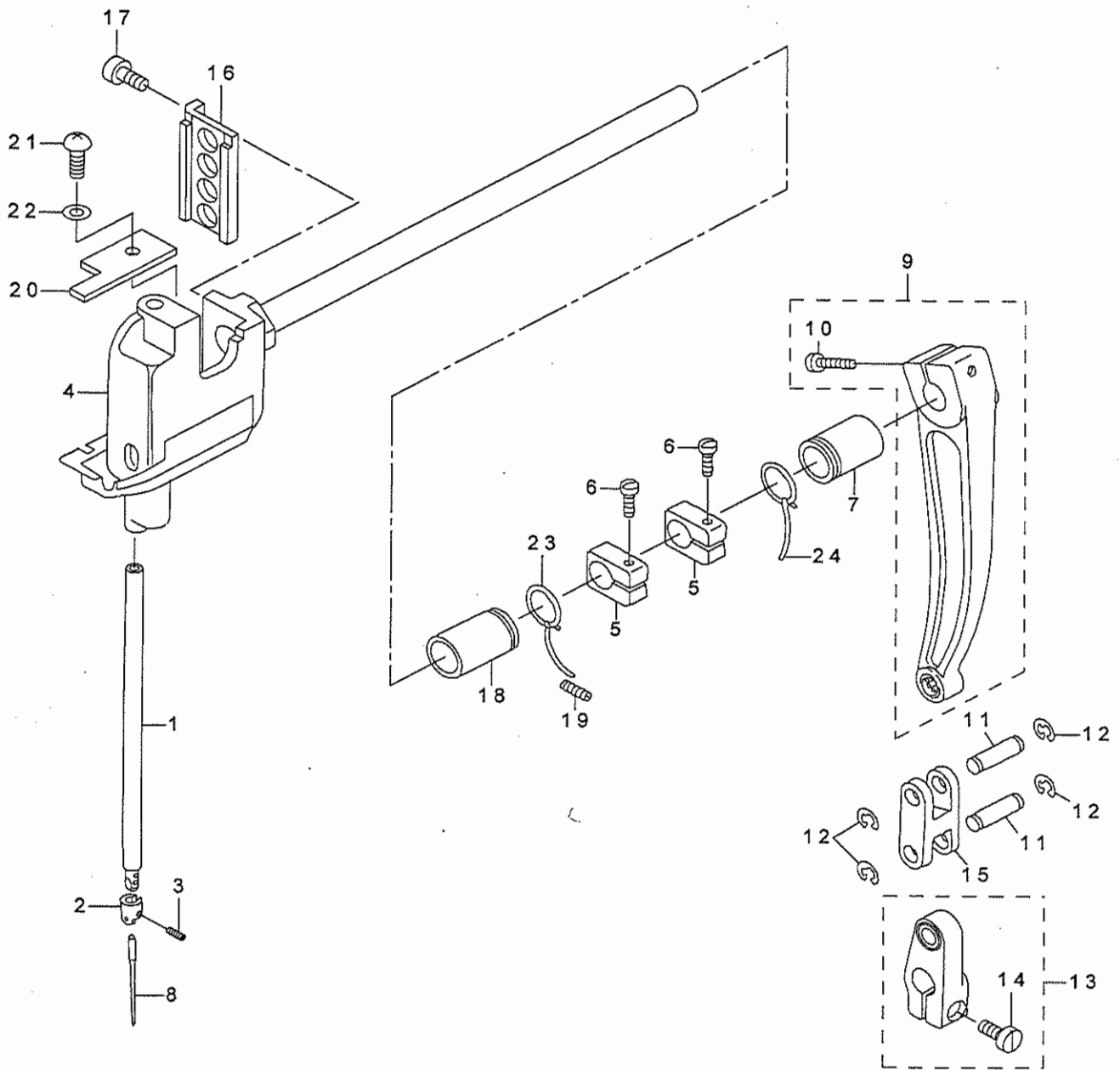
2. MAIN SHAFT, HOOK DRIVING SHAFT DELIVERY & THREAD TAKE-UP LEVER COMPONENTS

上軸・下軸伝達装置・天秤関係



| | | | | |
|----|---------------|--------------------------------|---------------------|-----|
| 1 | 107-04401 | UPPER SHAFT | 上軸 | 1 |
| 2 | 107-04500 | BALANCE WEIGHT | 釣合錘 | 1 |
| 3 | SS-7681750-TP | SCREW 9/32-28 L=16.5 | 丸平ねじ 9/32-28 L=16.5 | 1 |
| 4 | SS-8681650-TP | SCREW 9/32-28 L=16 | 止めねじ 9/32-28 L=16 | 1 |
| 5 | SS-8660512-TP | SCREW 1/4-40 L=5 | 止めねじ 1/4-40 L=5 | 1 |
| 6 | 107-04757 | BALANCE WEIGHT | バランスウエイト (組) | 1 |
| 7 | SM-8080802-TP | SCREW | 止めねじ | (1) |
| 8 | 107-04955 | UPPER SHAFT BEARING HOOK A ASM | 上軸ベアリング受 (A) (組) | 1 |
| 9 | SM-8060602-TP | SCREW M6X6 | 止めねじ M 6 L=6 | (2) |
| 10 | 107-04963 | UPPER SHAFT BEARING HOOK B ASM | 上軸ベアリング受 (B) (組) | 1 |
| 11 | SM-8060602-TP | SCREW M6X6 | 止めねじ M 6 L=6 | (2) |
| 12 | 107-05002 | UPPER SPROCKET | 上スプロケット | 1 |
| 13 | SM-8080802-TP | SCREW | 止めねじ | 2 |
| 14 | 107-41007 | FLYWHEEL, LARGE | はずみ車 (大) | 1 |
| 15 | SS-8150822-TP | SCREW 15/64-28 L=8 | 止めねじ 15/64-28 L=8 | 2 |
| 16 | ★ 107-06703 | TIMING BELT | タイミングベルト | 1 |
| 17 | 107-05408 | LOWER SHAFT | 下軸 | 1 |
| 18 | 107-08303 | NEEDLE ROD THRUST SCREW | 針棒角駒スラストねじ | 1 |
| 19 | SS-6621220-SP | SCREW 3/16-32 L=12 | 平ねじ 3/16-32 L=12 | 2 |
| 20 | 107-45909 | FLYWHEEL SCALE PLATE | はずみ車目盛板 | 1 |
| 21 | SM-3030650-SC | SCREW M3X0.5 L=6 | 丸小ねじ M 3 X 0.5 L=6 | 3 |
| 22 | 110-20401 | PLUNGER | プランジャ | 2 |
| 23 | 110-20609 | PLUNGER SPRING | プランジャばね | 2 |
| 24 | 110-20500 | PLUNGER SCREW | プランジャねじ | 2 |
| 25 | SQ-1110401-MZ | CONNECTING SCREW | チューブ連結ねじ | 2 |
| 26 | SQ-1150451-MZ | CONNECTING SCREW | チューブ連結ねじ | 1 |
| 27 | 107-75500 | LOWER SHAFT REAR METAL | 下軸後メタル | 1 |
| 28 | 107-05606 | LOWER SHAFT METAL OIL SEAL | 下軸後メタルオイルシール | 1 |
| 29 | 107-05754 | LOWER SHAFT FRONT METAL ASM. | 下軸前メタル (組) | 1 |
| 30 | 107-05606 | LOWER SHAFT METAL OIL SEAL | 下軸後メタルオイルシール | 1 |
| 31 | 400-64519 | LOWER SHAFT COUPLING SET | 下軸カップリング (セット) | 1 |
| 32 | 107-76656 | LOWER SHAFT COUPLING ASM. | 下軸カップリング (組) | (1) |
| 33 | SM-8060602-TP | SCREW M6X6 | 止めねじ M 6 L=6 | (4) |
| 34 | RO-2943101-00 | RUBBER RING | Oリング | 1 |
| 35 | 107-71269 | BALANCE ASM. | 天秤 (組) | 1 |
| 36 | 107-71251 | BALANCE JUNCTION COMPL. | 天秤 (結合) | (1) |
| 37 | 107-07156 | BALANCE CRANK JUNCTION | 天秤クランク結合 | (1) |
| 38 | 107-54802 | BALANCE CRANK PIN. | 天秤クランクピン | (1) |
| 39 | 105-23702 | WASHER | 天秤クランクワッシャ | (2) |
| 40 | 107-07602 | NEEDLE ROD CRANK | 針棒クランク | (1) |
| 41 | 107-07750 | NEEDLE ROD CRANK ROD ASM. | 針棒クランクロッド組 | (1) |
| 42 | 107-07958 | NEEDLE ROD HOLDER ASM. | 針棒抱き組 | (1) |
| 43 | SS-7090910-TP | SCREW 9/64-40 L=8.5 | 丸平ねじ 9/64-40 L=8.5 | (1) |
| 44 | NM-6040001-SN | NUT M4X0.7 | 六角ナット M 4 | (1) |
| 45 | 107-08006 | NEEDLE ROD SQUARE BLOCK | 針棒角駒 | 1 |
| 46 | 107-07206 | BALANCE CRANK SHAFT | 天秤クランク軸 | 1 |
| 47 | SS-8120740-SP | SCREW 3/16-28 L=7 | 止めねじ 3/16-28 L=7 | 1 |
| 48 | 107-07305 | BALANCE CRANK SHAFT SUPPORT | 天秤クランク軸支え | 1 |
| 49 | SM-8061212-TP | SCREW M6X12 | 止めねじ M 6 L=12 | 1 |
| 50 | RO-3122401-00 | O-RING | Oリング | 1 |
| 51 | 107-75658 | SAFETY DEVICE ASM. | 安全装置 (組) | 1 |
| 52 | 107-75609 | SAFETY DEVICE HOOK | 安全装置受け | (1) |
| 53 | 107-06315 | LOWER SPROCKET | 下スプロケット | (1) |
| 54 | SM-8040502-TP | SCREW M4X0.7 L=5 | 止めねじ M 4 X 0.7 L=5 | (1) |
| 55 | SM-8060602-TP | SCREW M6X6 | 止めねじ M 6 L=6 | (2) |
| 56 | 105-91709 | SAFETY SPRING | 安全装置ばね | (1) |
| 57 | 107-48002 | SAFETY CLUTCH PAWL | 安全装置爪 | (1) |
| 58 | B1308-055-000 | SAFETY CLUTCH COUNTER-HOOK | 安全装置逆爪 | (1) |
| 59 | B1310-055-000 | SAFETY CLUTCH SMALL LINK | 安全装置小リンク | (1) |
| 60 | B1309-055-000 | COUNTER-HOOK SPRING | 安全装置逆爪ばね | (1) |
| 61 | B1314-055-000 | SAFETY CLUTCH SMALL LINK PIN | 安全装置小リンクピン | (1) |
| 62 | SD-0640322-TP | HINGE SCREW D=6.35 H=3.2 | 段ねじ D=6.35 H=3.2 | (2) |
| 63 | 400-52266 | LOWER SHAFT COUPLING PLATE | 下軸カップリングスラスト板 | 1 |
| 64 | SM-8030402-TP | SCREW M3X0.5 L=4 | 止めねじ | 1 |

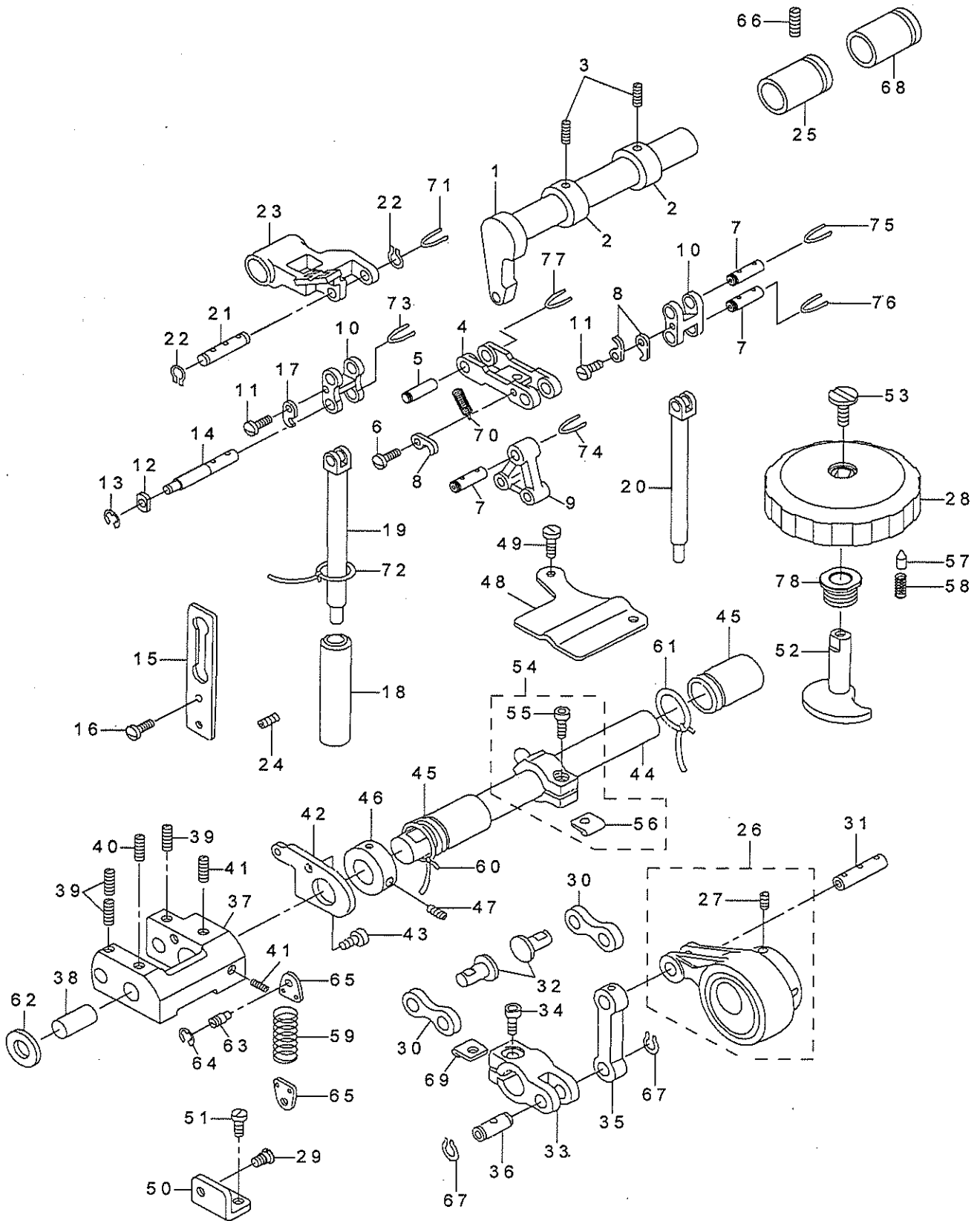
3. NEEDLE BAR ROCKING COMPONENTS
針棒搖動關係



| | | | | |
|-----|---------------|------------------------------|---------------------|-----|
| 1 | 107-08105 | NEEDLE ROD | 針棒 | 1 |
| 2 | 107-08204 | NEEDLE BAR THREAD GUIDE | 針棒糸掛け | 1 |
| 3 ☆ | SS-8080410-TP | SCREW 1/8-44 L=3.5 | 止めねじ 1/8-44 L=3.5 | 1 |
| 4 | 107-08469 | NEEDLE ROD ROCKING BASE SET | 針棒揺動台 (セット) | 1 |
| 5 | 107-08808 | THRUST COLLAR | スラストカラー | 2 |
| 6 | SS-7111810-TP | SCREW 11/64-40 L=18 | 丸平ねじ 11/64-40 L=18 | 2 |
| 7 | 107-08907 | ROCKING SHAFT METAL | 揺動軸メタル | 1 |
| 8 ☆ | MC-3210014-00 | NEEDLE 134-35 #140 | 針 134-35 #140 | 1 |
| 9 | 107-09152 | NEEDLE ROD ROCKING LINK ASM. | 針棒揺動桿 (組) | 1 |
| 10 | SS-6152440-SP | SCREW 15/64-28 L=23.5 | 平ねじ 15/64-28 L=23.5 | (1) |
| 11 | 107-09202 | NEEDLE ROD LINK PIN | 針棒揺動リンクピン | 2 |
| 12 | RE-0600000-K0 | E-RING 6 | E形止め輪 6 | 4 |
| 13 | 107-09350 | FEED ARM ASM. | 針送り腕 (組) | 1 |
| 14 | SS-6151440-SP | SCREW 15/64-28 L=14 | 平ねじ 15/64-28 L=14 | (1) |
| 15 | 107-09400 | NEEDLE ROD ROCKING LINK | 針棒揺動リンク | 1 |
| 16 | 107-08501 | ROLLER GUIDE BASE | コロ案内台 | 1 |
| 17 | SM-6041012-TP | SCREW M4X0.7 L=10 | 平小ねじ M4X0.7 L=10 | 2 |
| 18 | 107-09608 | ROCKING SHAFT METAL | 上送り軸前メタル | 1 |
| 19 | SS-8120740-SP | SCREW 3/16-28 L=7 | 止めねじ 3/16-28 L=7 | 1 |
| 20 | 107-33806 | SWING STAND FELT, LOWER | 揺動台フェルト (下) | 1 |
| 21 | SM-1040801-SC | SCREW M4X0.7 L=8 | 皿小ねじ M4X0.7 L=8 | 1 |
| 22 | WP-0450000-SD | WASHER 4.5X8X0.5 | 平座金 4.5X8X0.5 | 1 |
| 23 | CQ-2020000-00 | OIL WICK | 油芯 | 0.2 |
| 24 | CQ-2020000-00 | OIL WICK | 油芯 | 0.2 |

4. UPPER FEED MECHANISM COMPONENTS

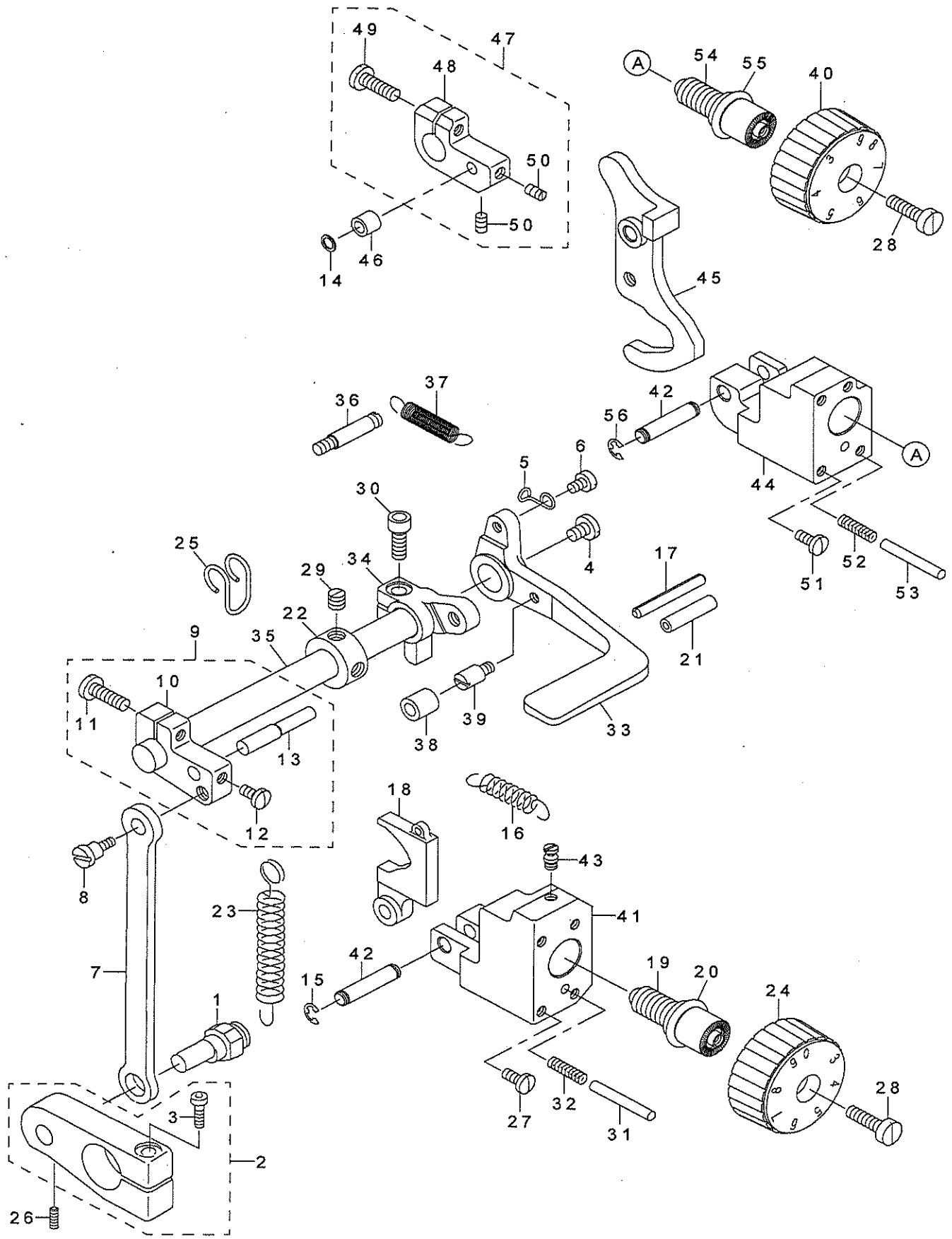
上送り関係



| | | | | |
|----|---------------|-------------------------------|----------------------|-----|
| 1 | 107-09707 | UPPER FEED SHAFT | 上送り軸 | 1 |
| 2 | CS-1501011-TH | THRUST COLLAR | スラスト受 | 2 |
| 3 | SS-8660410-SP | SCREW 1/4-40 L=4.2 | 止めねじ 1/4-40 L=4.2 | 4 |
| 4 | 107-09806 | CONNECTION LINK | 連結リンク | 1 |
| 5 | 107-09905 | TRIANGLE LEVER SHAFT | 三角てこ軸 | 1 |
| 6 | SS-7080510-TP | SCREW 1/8-44 L=4.5 | 丸平ねじ 1/8-44 L=4.5 | 1 |
| 7 | 107-09905 | TRIANGLE LEVER SHAFT | 三角てこ軸 | 3 |
| 8 | 107-10804 | TRIANGLE LEVER SHAFT STOPPER | 三角てこ軸止め | 3 |
| 9 | 107-10002 | TRIANGLE LEVER | 三角てこ | 1 |
| 10 | 107-10101 | ROCKING LINK | 揺動リンク | 2 |
| 11 | SS-7080510-TP | SCREW 1/8-44 L=4.5 | 丸平ねじ 1/8-44 L=4.5 | 2 |
| 12 | 107-10200 | PRESSER ROD SQUARE BLOCK | 押え棒ガイド角駒 | 1 |
| 13 | RE-0400000-K0 | E-RING 4 | E 形止め輪 4 | 1 |
| 14 | 107-10309 | PRESSER ROD GUIDE SHAFT | 押え棒ガイド軸 | 1 |
| 15 | 107-10408 | PRESSER ROD GUIDE | 押え棒ガイド | 1 |
| 16 | SS-6121050-SP | SCREW 3/16-28 L=9.5 | 平ねじ 3/16-28 L=9.5 | 2 |
| 17 | 107-10804 | TRIANGLE LEVER SHAFT STOPPER | 三角てこ軸止め | 1 |
| 18 | 107-10507 | PRESSER ROD LOWER METAL | 押え棒下メタル | 1 |
| 19 | 107-10606 | PRESSER ROD | 押え棒 | 1 |
| 20 | 107-10705 | UPPER FEED ROD | 上送り棒 | 1 |
| 21 | 107-11000 | PRESSER ROD SHAFT | 押えロッド軸 | 1 |
| 22 | RC-0560711-KP | RETAINING RING | C 形止め輪 | 2 |
| 23 | 107-11117 | PRESSER BAR GUIDE ARM | 押え棒ガイド腕 | 1 |
| 24 | SS-8120740-SP | SCREW 3/16-28 L=7 | 止めねじ 3/16-28 L=7 | 1 |
| 25 | 107-09608 | ROCKING SHAFT METAL | 上送り軸前メタル | 1 |
| 26 | 107-13766 | ECCENTRIC ROD (SET) | 上送りカムロッド (セット) | 1 |
| 27 | SS-8660810-TP | SCREW 1/4-40 L=8 | 止めねじ 1/4-40 L=8 | (2) |
| 28 | 107-74305 | VERTICAL DIAL | 交互上下ダイヤル | 1 |
| 29 | 229-08909 | HINGE SCREW | 膝上げ横棒段ねじ | 1 |
| 30 | 107-14509 | CONNECTION LINK B | 連結リンク B | 2 |
| 31 | 107-13808 | CONNECTION LINK PIN B | 連結リンクピン B | 1 |
| 32 | 107-14608 | CONNECTION LINK B SUPPORT PIN | 連結リンク B 支持ピン | 2 |
| 33 | 107-13907 | UPPER FEED CAM | 上送り腕 | 1 |
| 34 | SM-6061602-TP | SCREW M6 L=16 | 六角穴ボルト | 1 |
| 35 | 107-14004 | CONNECTION LINK A | 連結リンク A | 1 |
| 36 | 107-14103 | CONNECTION LINK PIN A | 連結リンクピン A | 1 |
| 37 | 107-14202 | VERTICAL CHANGE BELT | 交互上下変換体 | 1 |
| 38 | 107-51303 | CHANGE BELT SUPPORT PIN | 交互上下変換体支持ピン | 1 |
| 39 | SM-8050602-TP | SCREW M5 L=6 | 止めねじ M5 X 0.8 L=6 | 3 |
| 40 | SM-8050512-TP | SCREW M5 L=5 | 止めねじ | 1 |
| 41 | SM-8050602-TP | SCREW M5 L=6 | 止めねじ M5 X 0.8 L=6 | 2 |
| 42 | 107-14400 | VERTICAL STOPPER PLATE | 交互上下ストッパー板 | 1 |
| 43 | SM-6051002-TP | SCREW M5X0.8 L=10 | 六角穴ボルト M5 X 0.8 L=10 | 1 |
| 44 | 107-14301 | VERTICAL CHANGE BELT SHAFT | 交互上下変換体軸 | 1 |
| 45 | 107-08907 | ROCKING SHAFT METAL | 揺動軸メタル | 2 |
| 46 | CS-1501011-TH | THRUST COLLAR | スラスト受 | 1 |
| 47 | SS-8660410-SP | SCREW 1/4-40 L=4.2 | 止めねじ 1/4-40 L=4.2 | 2 |
| 48 | 107-14806 | VERTICAL STOPPER PLATE | 交互上下ストッパー受け板 | 1 |
| 49 | SS-6121010-SP | SCREW 3/16-28 L=10 | 平ねじ 3/16-28 L=10 | 2 |
| 50 | 107-14905 | VERTICAL SHAFT SPRING RACK | 交互上下軸ばね掛け | 1 |
| 51 | SS-7120710-SP | SCREW 3/16-28 L=7 | 丸平ねじ 3/16-28 L=7 | 1 |
| 52 | 107-15001 | VERTICAL ADJUSTING CAM | 交互上下調節カム | 1 |
| 53 | SS-6110630-TP | SCREW 11/64-40 L=6 | 平ねじ 11/64-40 L=6 | 1 |
| 54 | 107-15258 | VERTICAL ADJUSTING ARM ASM. | 交互上下調節腕 (組) | 1 |
| 55 | SM-6051402-TP | SCREW M5X0.8 L=14 | 六角穴ボルト | (1) |
| 56 | 107-11406 | SPACER B | スペーサ B | (1) |
| 57 | 107-15704 | VERTICAL DIAL PIN | 交互上下ダイヤルピン | 1 |
| 58 | B1526-527-00G | SPRING | 押え足ばね | 1 |
| 59 | 107-16504 | VERTICAL SHAFT SPRING | 交互上下軸ばね | 1 |
| 60 | CQ-2020000-00 | OIL WICK | 油芯 | 0.3 |
| 61 | CQ-2020000-00 | OIL WICK | 油芯 | 0.3 |
| 62 | 101-09809 | THRUST WASHER, B | 釜軸上メタル スラスト板 B | 1 |
| 63 | B3416-552-000 | CONNECTING ROD HINGE SCREW | 膝上げ横棒段ねじ | 1 |
| 64 | RE-0500000-K0 | E-RING | E 形止め輪 5 | 1 |
| 65 | 107-13501 | SPRING HOOK | 交互上下軸ばね金具 | 2 |
| 66 | SS-8120740-SP | SCREW 3/16-28 L=7 | 止めねじ 3/16-28 L=7 | 1 |
| 67 | RC-0740811-KP | C-RING | C 形止め輪 8 | 2 |
| 68 | 107-08907 | ROCKING SHAFT METAL | 揺動軸メタル | 1 |
| 69 | 107-10903 | SPACER A | スペーサ A | 1 |
| 70 | 107-39506 | GUIDE SPRING | 上送り給油ガイドばね | 1 |
| 71 | CQ-2520000-00 | OIL WICK | 油芯 | 0.1 |
| 72 | CQ-2020000-00 | OIL WICK | 油芯 | 0.2 |
| 73 | CQ-2520000-00 | OIL WICK | 油芯 | 0.1 |
| 74 | CQ-2520000-00 | OIL WICK | 油芯 | 0.1 |
| 75 | CQ-2520000-00 | OIL WICK | 油芯 | 0.1 |
| 76 | CQ-2520000-00 | OIL WICK | 油芯 | 0.1 |
| 77 | CQ-2520000-00 | OIL WICK | 油芯 | 0.1 |
| 78 | 400-52251 | VERTICAL DIAL SHAFT BUSHING | 交互上下ダイヤル軸ブッシュ | 1 |

5. FEED ADJUSTMENT & REVERSE FEED MECHANISM COMPONENTS

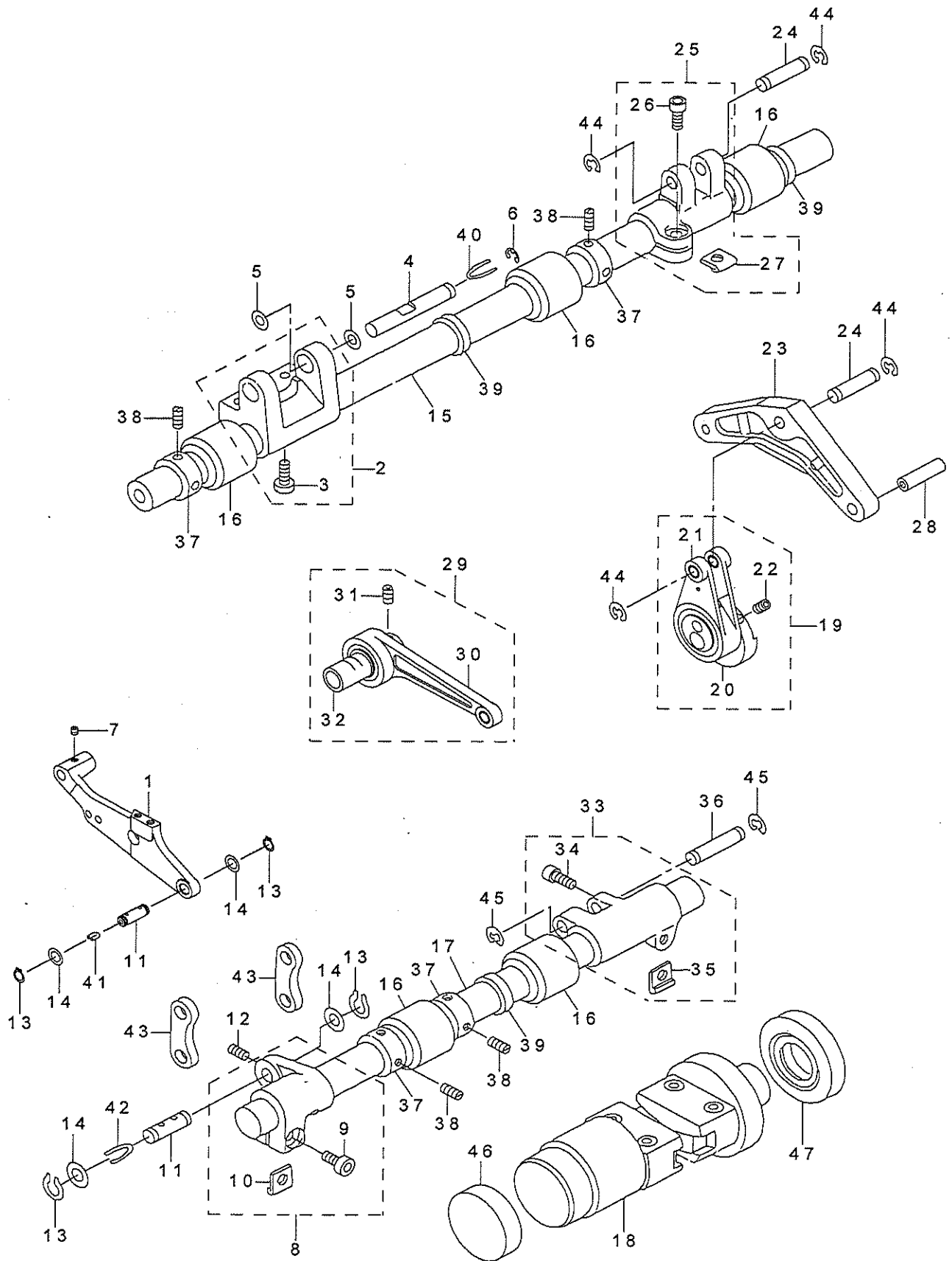
送り調節・逆送り関係



| | | | | |
|------|---------------|--------------------------------|---------------------|-----|
| 1 | 107-20209 | ADJUSTING CHANGE PIN | 送り調節偏心ピン | 1 |
| 2 | 107-20357 | ADJUSTING CHANGE ARM ASM. | 送り調節変換腕(組) | 1 |
| 3 | SM-6062502-TP | SCREW M6 L=25 | 六角穴ボルト M6 L=25 | (1) |
| 4 | SS-7620750-SP | SCREW 3/16-32 L=6.5 | 丸平ねじ 3/16-32 L=6.5 | 1 |
| 5 | 400-58144 | SPRING_HOOK | レバーばね掛け | 1 |
| 6 | SS-6110610-TP | SCREW 11/64-40 L=6 | 平ねじ 11/64-40 L=6 | 1 |
| 7 | 107-20407 | ADJUSTING CONNECTION RING | 送り調節連結桿 | 1 |
| 8 | 107-25307 | ADJUSTING CONNECTION RING PIN | 送り調節連結桿ピン | 1 |
| 9 | 400-27219 | FEED ADJUSTING PIN HOLDER ASM. | 送り調節ピン支え腕(組) A | 1 |
| 10 | 107-20506 | ADJUSTING ARM | 送り調節腕 | (1) |
| 11 | SS-7121610-SP | SCREW 3/16-28 L=15.5 | 丸平ねじ 3/16-28 L=15.5 | (1) |
| 12 | SS-7110810-SP | SCREW 11/64-40 L=8.0 | 丸平ねじ 11/64-40 L=8 | (1) |
| 13 | 400-25557 | FEED ADJUSTING PIN (A) | 送り調節ピン(A) | (1) |
| 14 | 400-35542 | ROLLER SPACER | コロスペーサー | 1 |
| 15 | RE-0400000-KO | E-RING 4 | E形止め輪 4 | 2 |
| 16 | 107-21306 | CHANGE SPRING | 調節体変換ばね | 1 |
| 17 | PS-0400322-KP | SPRING PIN 4.0X32 | スプリングピン 4.0X32 | 1 |
| 18 | 107-20605 | ADJUSTING BELT | 送り調節体 | 1 |
| 19 ☆ | 107-21009 | ADJUSTING DIAL SCREW | 送り調節ダイヤルねじ | 1 |
| 20 ☆ | RO-1182401-00 | O-RING | Oリング | 1 |
| 21 | BT-0600402-EA | OIL TUBE | チューブ | 0.1 |
| 22 | CS-1201011-SH | THRUST COLLAR D=12 W=10 | スラスト受 D=12 W=10 | 1 |
| 23 | 107-22007 | PULLING SPRING | 送り調節体引っ張りばね | 1 |
| 24 ☆ | 107-44308 | ADJUSTMENT DIAL | 送り調節ダイヤル | 1 |
| 25 | 107-33509 | SPRING RACK HOOK | 引っ張りばね掛けフック | 1 |
| 26 | SM-8060602-TP | SCREW M6X6 | 止めねじ M6 L=6 | 1 |
| 27 | SS-7110910-TP | SCREW 11/64-40 L=8.5 | 丸平ねじ 11/64-40 L=8.5 | 4 |
| 28 | SS-6121860-SP | SCREW 3/16-28 L=18 | 平ねじ 3/16-28 L=18 | 2 |
| 29 | SS-8660610-TP | SCREW 1/4-40 L=6 | 止めねじ 1/4-40 L=6 | 2 |
| 30 | SM-6051402-TP | SCREW M5X0.8 L=14 | 六角穴ボルト | 1 |
| 31 | 107-18401 | DIAL PIN | 送りダイヤルピン | 1 |
| 32 | B1148-141-H00 | SPRING | 送り調節ピンばね | 1 |
| 33 | 400-52874 | BACKWARD FEED LEVER | 逆送りレバー | 1 |
| 34 | 400-58054 | BACKWARD_FEED_CONNECTING_ARM | 逆送り連結腕 | 1 |
| 35 | 107-21900 | BACKWARD FEED LEVER SHAFT | 逆送りレバー軸 | 1 |
| 36 | 137-55202 | SUSPENSION SCREW | ブレーキばね掛け | 1 |
| 37 | 400-58145 | RETURN_SPRING | レバー戻しばね | 1 |
| 38 | 101-19907 | CUSHION | 逆送りレバー ゴム輪 | 1 |
| 39 | B1114-280-000 | PIN | ピン | 1 |
| 40 ☆ | 400-27231 | FEED DIAL(A) ASM. | 送り調節ダイヤル(A)組 | 1 |
| 41 | 400-25554 | FEED ADJUSTING BASE (A) | 送り調節台(A) | 1 |
| 42 | 110-41407 | ROLLER FULCRUM SHAFT | コロ支点軸 | 2 |
| 43 | 260-17400 | SPRING RAC | 糸結び腕ばね掛け | 1 |
| 44 | 400-25555 | FEED ADJUSTING BASE (B) | 送り調節台(B) | 1 |
| 45 | 400-25556 | FEED ADJUSTING (A) | 送り調節体(A) | 1 |
| 46 | 137-37804 | DRIVING ARM BOSS ROLLER | 下系切り駆動腕コロ | 1 |
| 47 | 400-27220 | FEED ADJUSTING PIN HOLDER ASM. | 送り調節ピン支え腕(組) B | 1 |
| 48 | 400-25558 | FEED ADJUSTING PIN HOLDER | 送り調節ピン支え腕 | (1) |
| 49 | SS-7121610-SP | SCREW 3/16-28 L=15.5 | 丸平ねじ 3/16-28 L=15.5 | (1) |
| 50 | SS-8090710-SP | SCREW 9/64-40 L=7.0 | 止めねじ 9/64-40 L=7 | (2) |
| 51 | SS-7110910-TP | SCREW 11/64-40 L=8.5 | 丸平ねじ 11/64-40 L=8.5 | 4 |
| 52 | B1148-141-H00 | SPRING | 送り調節ピンばね | 1 |
| 53 | 107-18401 | DIAL PIN | 送りダイヤルピン | 1 |
| 54 ☆ | 107-21009 | ADJUSTING DIAL SCREW | 送り調節ダイヤルねじ | 1 |
| 55 ☆ | RO-1182401-00 | O-RING | Oリング | 1 |
| 56 | RE-0400000-KO | E-RING 4 | E形止め輪 4 | 2 |

6. LOWER FEED MECHANISM COMPONENTS

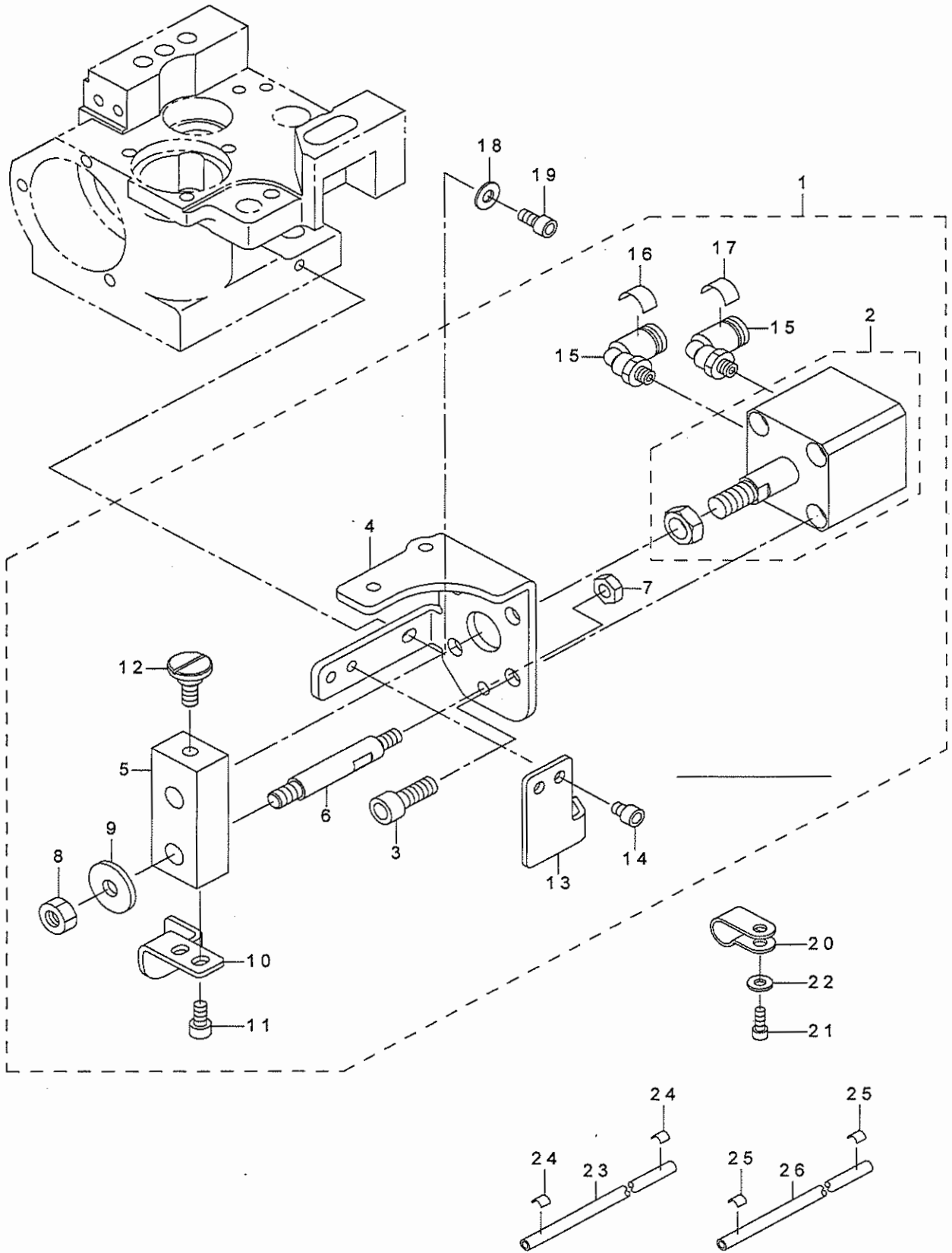
下送り関係



| | | | | |
|----|---------------|--------------------------|----------------------|-----|
| 1 | 400-58052 | FEED_BASE | 送り台 | 1 |
| 2 | 107-17668 | FEED BASE ARM ASM. | 水平送り台腕 (セット) | 1 |
| 3 | SM-6061650-TP | SCREW | 平ねじ M6 L=16 | (2) |
| 4 | 107-17809 | FEED BASE SHAFT | 水平送り台軸 | 1 |
| 5 | 107-46709 | WASHER | 送り台スラスト座金 | 2 |
| 6 | RE-0500000-KO | E-RING | E形止め輪 5 | 1 |
| 7 | SS-8110422-TP | SCREW 11/64-40 L=4 | 止めねじ 11/64-40 L=4 | 1 |
| 8 | 107-18658 | VERTICAL FEED ARM ASM. | 上下送り腕 (組) | 1 |
| 9 | SS-6151412-TP | SCREW 15/64-28 L=14 | 六角穴ボルト 15/64-28 | (1) |
| 10 | 107-10903 | SPACER A | スペーサ A | (1) |
| 11 | 107-18906 | VERTICAL FEED LINK SHAFT | 上下送りリンク軸 | 2 |
| 12 | SM-8030402-TP | SCREW M3X0.5 L=4 | 止めねじ | 1 |
| 13 | RC-0650811-KP | RETAINING RING | C形止め輪 | 4 |
| 14 | WP-0740516-SP | WASHER 7.4X11.8X0.5 | 平座金 7.4 X 11.8 X 0.5 | 4 |
| 15 | 107-17908 | HORIZONTAL FEED SHAFT | 水平送り軸 | 1 |
| 16 | 107-18203 | FEED SHAFT FRONT METAL | 水平送り軸前メタル | 5 |
| 17 | 400-58153 | VERTICAL_FEED_SHAFT | 上下送り軸 | 1 |
| 18 | 107-19052 | FEED CHANGE BELT ASM. | 送り変換体組 | 1 |
| 19 | 107-19664 | HORIZONTAL FEED ROD | 水平送りロッド (セット) | 1 |
| 20 | 107-19201 | HORIZONTAL FEED CAM | 水平送りカム | (1) |
| 21 | 107-19656 | HORIZONTAL FEED ROD ASM. | 水平送りロッド (組) | (1) |
| 22 | SS-8661012-TP | SCREW | 止めねじ | (2) |
| 23 | 107-19300 | BELL CRANK | ベルクランク | 1 |
| 24 | 107-18005 | FEED ARM SHAFT | 送り腕軸 | 2 |
| 25 | 107-18153 | FEED SHAFT ARM ASM. | 送り腕軸 (組) | 1 |
| 26 | SM-6061552-TP | SCREW M6 L=15 | 六角穴ボルト | (1) |
| 27 | 107-10903 | SPACER A | スペーサ A | (1) |
| 28 | 107-19508 | ADJUSTING BLOCK SHAFT | 送り調節角駒軸 | 1 |
| 29 | 107-19961 | VERTICAL FEED ROD ASM. | 上下送りロッド (組) | 1 |
| 30 | 107-19953 | VERTICAL FEED ROD COMPL. | 上下送りロッド (結合) | (1) |
| 31 | SM-8060552-TP | SCREW M6 L=5 | 止めねじ | (2) |
| 32 | 107-20001 | VERTICAL FEED CAM | 上下送りカム | (1) |
| 33 | 107-18153 | FEED SHAFT ARM ASM. | 送り腕軸 (組) | 1 |
| 34 | SM-6061552-TP | SCREW M6 L=15 | 六角穴ボルト | (1) |
| 35 | 107-10903 | SPACER A | スペーサ A | (1) |
| 36 | 107-18005 | FEED ARM SHAFT | 送り腕軸 | 1 |
| 37 | CS-1501011-TH | THRUST COLLAR | スラスト受 | 4 |
| 38 | SS-8660410-SP | SCREW 1/4-40 L=4.2 | 止めねじ 1/4-40 L=4.2 | 8 |
| 39 | 137-07500 | OIL SEAL | 上軸前メタル オイルシール | 3 |
| 40 | CQ-2020000-00 | OIL WICK | 油芯 | 0.1 |
| 41 | CQ-2020000-00 | OIL WICK | 油芯 | 0.1 |
| 42 | CQ-2020000-00 | OIL WICK | 油芯 | 0.1 |
| 43 | 107-18500 | VERTICAL LINK | 送り台上下リンク | 2 |
| 44 | RE-0500000-KO | E-RING | E形止め輪 5 | 4 |
| 45 | RE-0500000-KO | E-RING | E形止め輪 5 | 2 |
| 46 | 107-19706 | CHANGE BELT OIL SEAL A | 変換体オイルシール A | 1 |
| 47 | 107-19805 | CHANGE BELT OIL SEAL B | 変換体オイルシール B | 1 |

7. THREAD TRIMMER COMPONENTS (1)

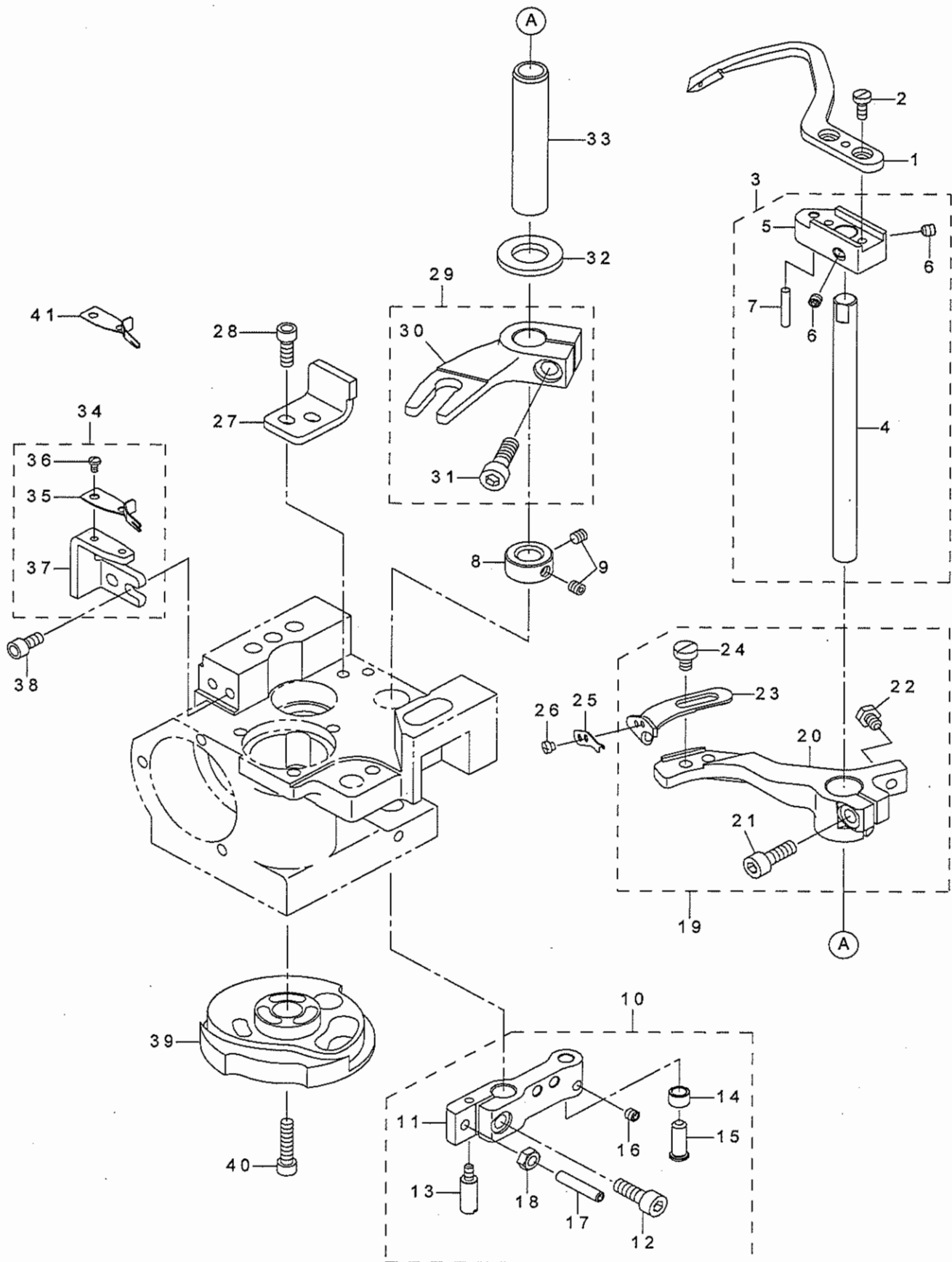
糸切り関係 (1)



| | | | | |
|----|---------------|---------------------------|---------------------|-----|
| 1 | 400-58152 | AIR_CYLINDER_ASM. | エアシリンダ (組) | 1 |
| 2 | PA-2001507-A0 | AIR CYLINDER | エアシリンダ | (1) |
| 3 | SM-6061602-TP | SCREW M6 L=16 | 六角穴ボルト | (2) |
| 4 | 400-58064 | CYLINDER_INSTALLING_PLATE | シリンダ取付板 | (1) |
| 5 | 400-58040 | CYLINDER_JOINT | シリンダ連結体 | (1) |
| 6 | 400-58134 | JOINT_GUIDE_SHAFT | 連結体ガイド軸 | (1) |
| 7 | NM-6050001-SP | NUT M5 | 六角ナット M5 X 0.8 1種 | (1) |
| 8 | NM-6060001-SD | NUT M6 | 六角ナット M6 1種 | (1) |
| 9 | WP-0612056-SD | WASHER 6.1X18.5X2 | 平座金 6.1 X 18.5 X 2 | (1) |
| 10 | 400-58062 | RETURN_PLATE | 動メス戻し板 | (1) |
| 11 | SM-6040802-TP | SCREW M4X0.7 L=8 | 六角穴ボルト | (2) |
| 12 | SD-0800426-TP | SHOULDER SCREW | 段ねじ D=8 H=4.2 | (1) |
| 13 | 400-58063 | DRIVING_ARM_STOPPER | 動メス駆動腕ストッパー | (1) |
| 14 | SM-6040502-TP | SCREW M4X0.7 L=5 | 六角穴ボルト M4 L=5 | (2) |
| 15 | PJ-3040405-04 | ELBOW UNION | エルボユニオン | (2) |
| 16 | HX-0029500-0B | WIRE MARK(3) | ワイヤーマーク (3) | (1) |
| 17 | HX-0029500-0C | WIRE MARK(4) | ワイヤーマーク (4) | (1) |
| 18 | WP-0450801-SD | WASHER 4.5X10X0.8 | 平座金 4.5 X 10 X 0.8 | 3 |
| 19 | SM-6040802-TP | SCREW M4X0.7 L=8 | 六角穴ボルト | 3 |
| 20 | HX-0012300-0A | CABLE CLIP | ケーブルクリップ | 1 |
| 21 | SM-6030802-TP | SCREW M3X0.5 L=8 | 六角穴ボルト M3 X 0.5 L=8 | 1 |
| 22 | WP-0371016-SD | WASHER 3.7X8X1 | 平座金 3.7 X 8 X 1 | 1 |
| 23 | BT-0400251-EB | URETHANE HOSE, BLACK | ウレタンホース 黒 | 1.6 |
| 24 | HX-0029500-0B | WIRE MARK(3) | ワイヤーマーク (3) | 2 |
| 25 | HX-0029500-0C | WIRE MARK(4) | ワイヤーマーク (4) | 2 |
| 26 | BT-0400251-EB | URETHANE HOSE, BLACK | ウレタンホース 黒 | 1.6 |

8. THREAD TRIMMER COMPONENTS (2)

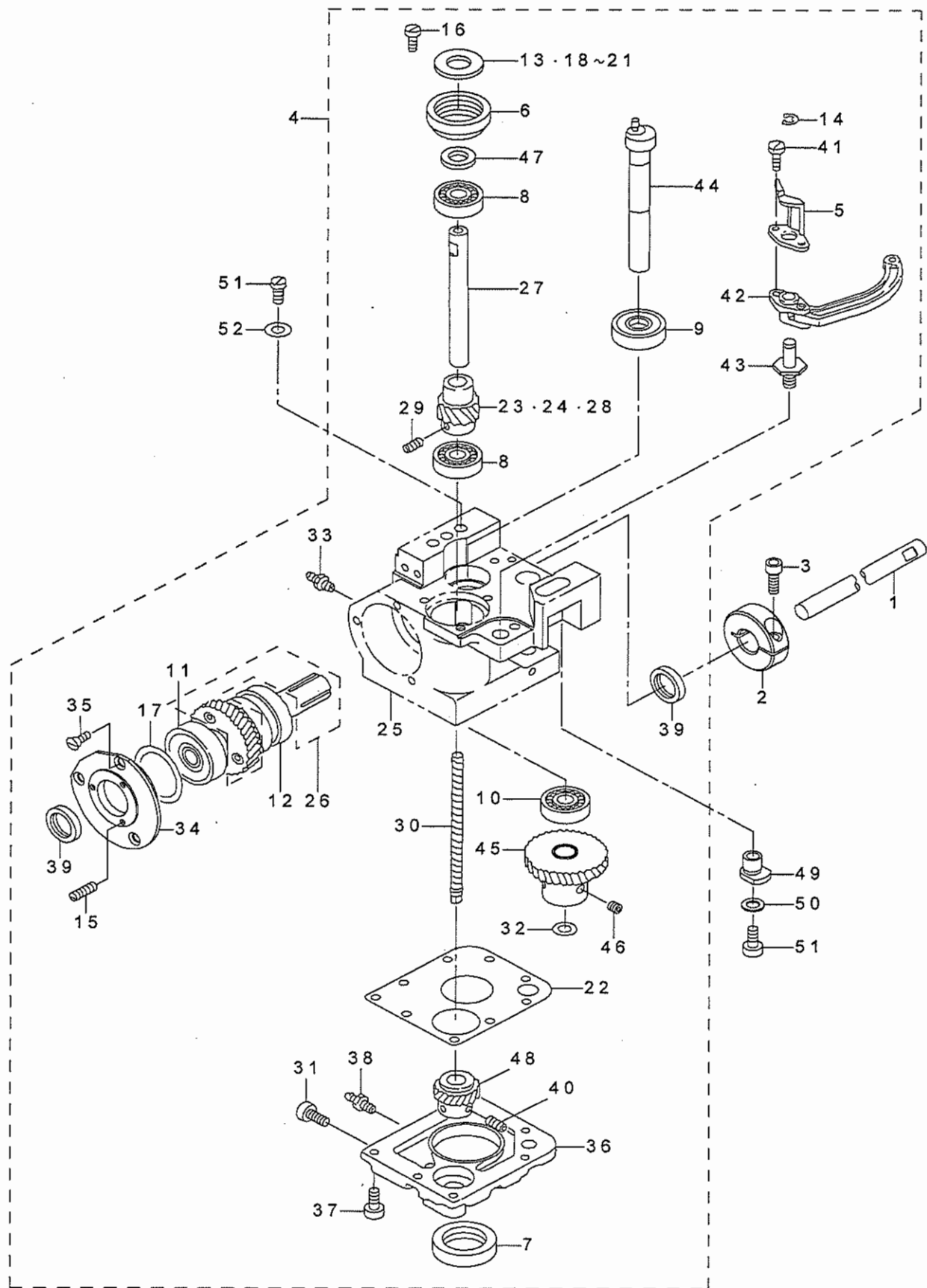
糸切り関係 (2)



| | | | | | |
|----|---|---------------|-------------------------------|-----------------------|-----|
| 1 | ★ | 400-58051 | MOVING KNIFE | 動メス | 1 |
| 2 | | SM-6030800-SP | SCREW M3X0.5 L=8 | 平小ねじ M 3 X 0. 5 L = 8 | 2 |
| 3 | | 400-58058 | MOVING_KNIFE_SHAFT_ASM. | 動メス軸 (組) | 1 |
| 4 | | 400-58135 | MOVING_KNIFE_SHAFT | 動メス軸 | (1) |
| 5 | | 400-58041 | MOVING_KNIFE_BASE | 動メス台 | (1) |
| 6 | | SM-8040412-TP | SET SCREW M4 L=4 | 止めねじ | (2) |
| 7 | | 400-38691 | HOOK COVER HINGE SHAFT | 鉤カバーヒンジ軸 | (1) |
| 8 | | CS-0800816-SH | THRUST HOLDER D=8 W=8 | スラスト受 D = 8 W = 8 | 1 |
| 9 | | SS-8110422-TP | SCREW 11/64-40 L=4 | 止めねじ 11/64-40 L = 4 | 2 |
| 10 | | 400-58149 | MOVING_KNIFE_DRIVING_ARM_ASM. | 動メス駆動腕 (組) | 1 |
| 11 | | 400-58042 | MOVING_KNIFE_DRIVING_ARM | 動メス駆動腕 | (1) |
| 12 | | SM-6051402-TP | SCREW M5X0.8 L=14 | 六角穴ボルト | (1) |
| 13 | | 400-58148 | RETURN_PIN | 戻しピン | (1) |
| 14 | | 214-40508 | THREAD TRIMMER CAM ROLLER | 糸切りカムコロ | (1) |
| 15 | | 214-39500 | CAM ROLLER SHAFT | カムコロ軸 | (1) |
| 16 | | SM-8040412-TP | SET SCREW M4 L=4 | 止めねじ | (1) |
| 17 | | SM-8042012-TP | SETSCREW | 止めねじ | (1) |
| 18 | | NM-6040001-SD | NUT M4 | 六角ナット M 4 | (1) |
| 19 | | 400-58150 | FIXED_KNIFE_BASE_ASM. | 固定メス台 (組) | 1 |
| 20 | | 400-58045 | FIXED_KNIFE_BASE | 固定メス台 | (1) |
| 21 | | SM-6051402-TP | SCREW M5X0.8 L=14 | 六角穴ボルト | (1) |
| 22 | | SM-9040603-SP | SCREW M4 L=8 | 六角ボルト M 2. 5 L = 8 | (1) |
| 23 | ★ | 400-58046 | FIXED_KNIFE | 固定メス | (1) |
| 24 | | SS-6110610-TP | SCREW 11/64-40 L=6 | 平ねじ 11/64-40 L = 6 | (2) |
| 25 | ★ | 400-58047 | THREAD_GUIDE | 糸ガイド | 1 |
| 26 | | SS-6060220-SP | SCREW 3/32-56 L=2.0 | 平ねじ 3/32-56 L = 2 | 2 |
| 27 | | 400-58050 | BASE_STOPPER | 固定メス台ストッパー | 1 |
| 28 | | SM-6041202-TP | SCREW M4X0.7 L=12 | 六角穴ボルト | 2 |
| 29 | | 400-59049 | FIXED_KNIFE_DRIVING_ARM_ASM. | 固定メス駆動腕 (組) | 1 |
| 30 | | 400-58048 | FIXED_KNIFE_DRIVING_ARM | 固定メス駆動腕 | (1) |
| 31 | | SM-6062002-TP | SCREW M6 L=20 | 六角穴ボルト M 6 L = 20 | (1) |
| 32 | | 400-58059 | WASHER_A | 座金 A | 1 |
| 33 | | 400-58136 | FIXED_KNIFE_SHAFT | 固定メス軸 | 1 |
| 34 | | 400-58151 | CLAMP_SPRING_BASE_ASM. | クランプばね台 (組) | 1 |
| 35 | ★ | 400-58043 | CLAMP_SPRING | クランプばね | (1) |
| 36 | ★ | SS-5060410-SP | SCREW 3/32-56 L=3.5 | 止めねじ 3/32-56 L = 3. 5 | (2) |
| 37 | | 400-58044 | CLAMP_SPRING_BASE | クランプばね台 | (1) |
| 38 | | SM-6040802-TP | SCREW M4X0.7 L=8 | 六角穴ボルト | 2 |
| 39 | | 400-58137 | THREAD_TRIMMER_CAM | 糸切りカム | 1 |
| 40 | | SM-6041802-TP | SCREW M4 L=18 | 六角穴ボルト | 3 |
| 41 | ★ | #01 400-64213 | CLAMP_SPRING | クランプばね (細糸用) | 1 |
| | | NOTE(注記) | #01....OPTIONAL PARTS | オプション部品 | |

9. HOOK SHAFT BASE COMPONENTS

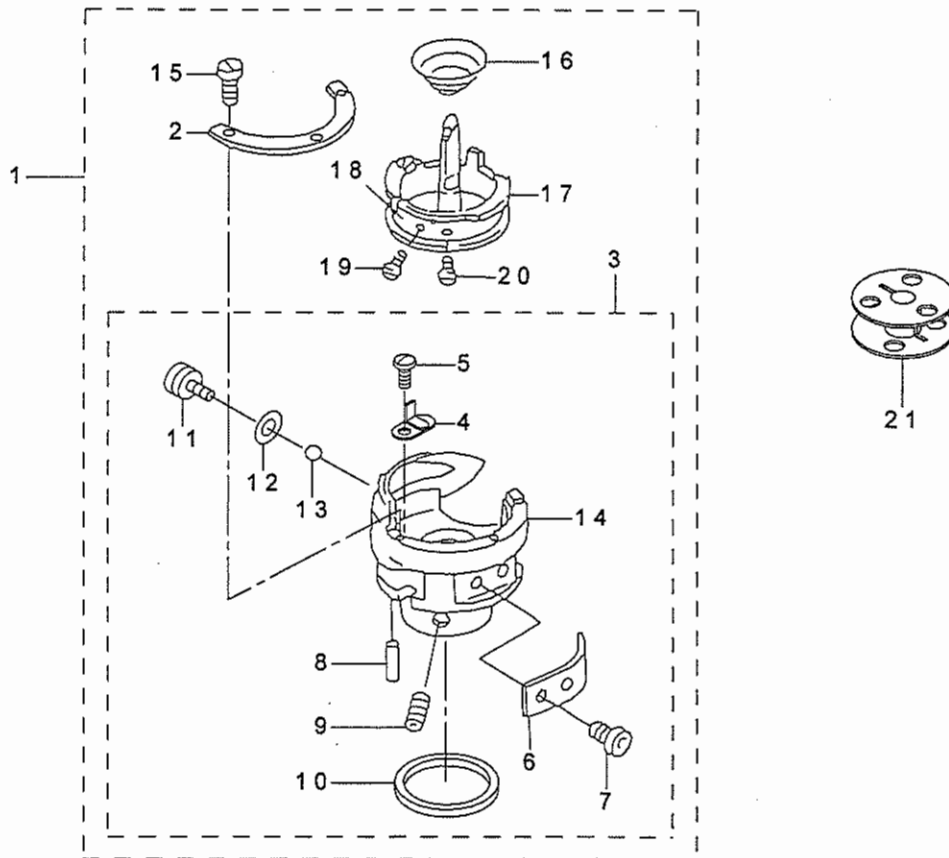
釜軸台關係



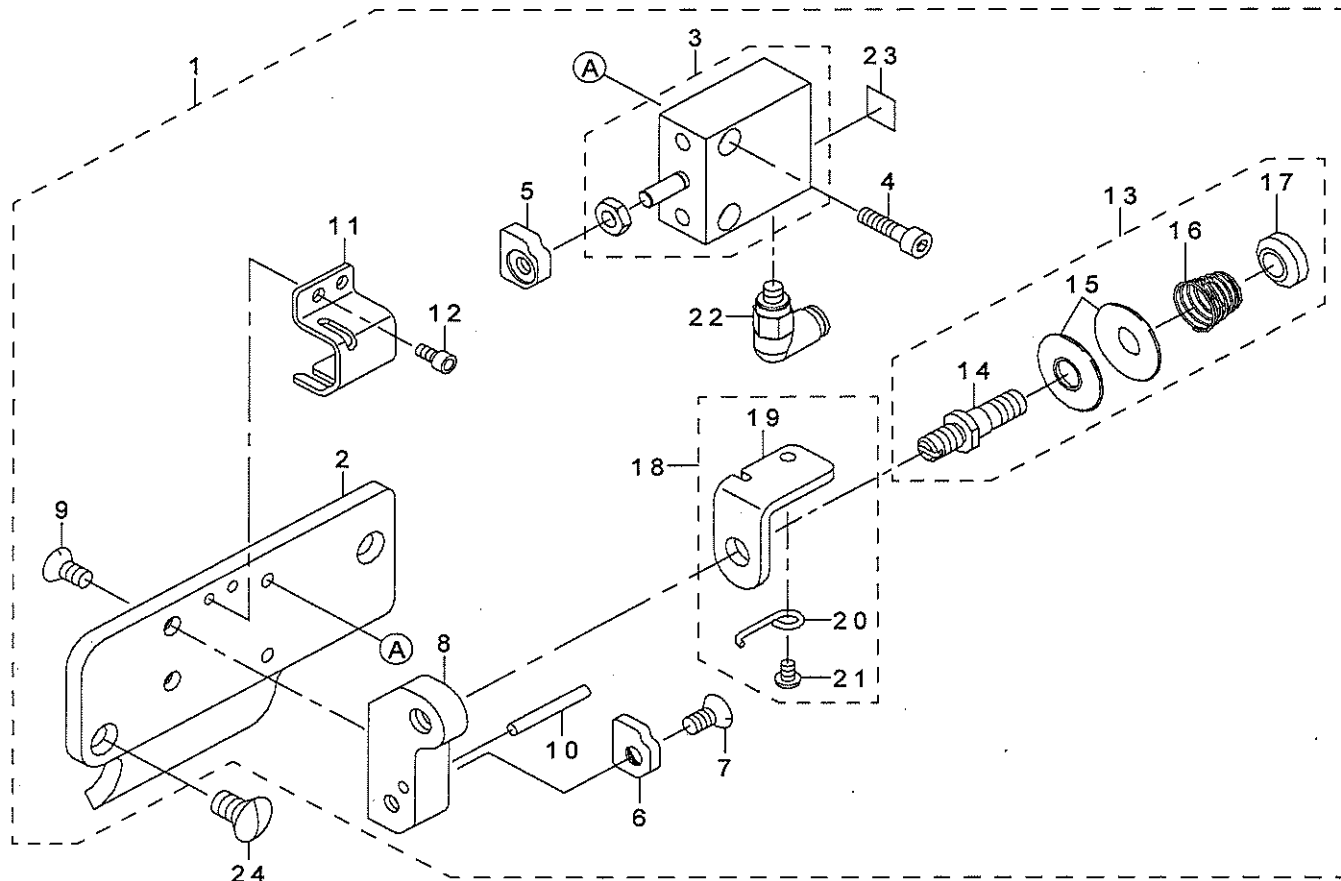
| | | | | |
|-----|---------------|-------------------------------|---------------------|-----|
| 1 | 107-22403 | LOWER SHAFT B | 下軸 B | 1 |
| 2 | 400-52253 | SET COLLAR | 下軸セットカラー | 1 |
| 3 | SM-6051402-TP | SCREW M5X0.8 L=14 | 六角穴ボルト | 1 |
| 4 | 400-59035 | HOOK_SHAFT_BASE_RIGHT_ASM. | 釜軸台(右)組 | 1 |
| 5 ☆ | 400-33293 | OPENER | オープナー | (1) |
| 6 | 107-55601 | BEARING COLLAR | 釜軸ベアリング受け | (1) |
| 7 | 107-26107 | OIL SEAL | オープナー軸オイルシール | (1) |
| 8 | B1215-804-000 | BALL BEARING D | 主軸ボールベアリング D | (2) |
| 9 | SB-1100009-00 | BEARING | ころがり軸受 | (1) |
| 10 | SB-1100010-00 | BEARING | ころがり軸受 | (1) |
| 11 | SB-1150004-00 | RADIAL BEARING | ころがり軸受 | (1) |
| 12 | SB-1150009-00 | BEARING | ころがり軸受 | (2) |
| 13 | #01 101-11201 | THRUST WASHER, F | 釜軸上メタル スラスト板 1. 4 | (1) |
| 14 | RE-0400000-K0 | E-RING 4 | E 形止め輪 4 | (1) |
| 15 | SS-8080610-SP | SCREW 1/8-44 L=5.5 | 止めねじ 1/8-44 L=5. 5 | (3) |
| 16 | SS-6111140-SP | SCREW 11/64-40 L=11 | 平ねじ 11/64-40 L=11 | (3) |
| 17 | RO-3573501-00 | O-RING | O リング | (1) |
| 18 | #01 101-12605 | THRUST WASHER 1.7 | 釜軸上メタル スラスト板 1. 7 | (1) |
| 19 | #01 101-12704 | THRUST WASHER 1.8 | 釜軸上メタル スラスト板 1. 8 | (1) |
| 20 | #01 101-09809 | THRUST WASHER, B | 釜軸上メタル スラスト板 B | (1) |
| 21 | #01 101-12506 | THRUST WASHER 1.6 | 釜軸上メタル スラスト板 1. 6 | (1) |
| 22 | 107-70402 | HOOK SHAFT BOTTOM PACKING | 釜軸台下板パッキン | (1) |
| 23 | #01 107-39308 | HOOK SHAFT SCREW GEAR | 釜軸ねじ歯車 | (1) |
| 24 | #01 107-39407 | HOOK SHAFT SCREW GEAR | 釜軸ねじ歯車 | (1) |
| 25 | 400-58142 | HOOK_SHAFT_BASE | 右釜軸台 | (1) |
| 26 | 107-22353 | LOWER SHAFT A ASM. | 下軸 A (組) | (1) |
| 27 | 107-23708 | HOOK SHAFT | 釜軸 | (1) |
| 28 | #01 107-23807 | SCREW GEAR | 釜軸ねじ歯車 | (1) |
| 29 | SM-8050502-TP | SCREW M5 L=5 | 止めねじ | (2) |
| 30 | 107-23906 | LUBRICATING SHAFT | 給油軸 | (1) |
| 31 | SM-4030801-SC | SCREW M3 X 6 | なべ爪ねじ M3 X 0. 5 L=6 | (1) |
| 32 | RO-0982401-00 | RUBBER RING | O リング | (1) |
| 33 | SQ-1150451-MZ | CONNECTING SCREW | チューブ連結ねじ | (1) |
| 34 | 107-24201 | BEARING HOLDER | 下軸ベアリングホルダー | (1) |
| 35 | SS-1110840-SP | SCREW 11/64-40 L=8 | 皿ねじ 11/64-40 L=8 | (3) |
| 36 | 107-75302 | HOOK SHAFT LOWER PLATE,RIGHT | 釜軸台下板(右) | (1) |
| 37 | SM-6040802-TP | SCREW M4X0.7 L=8 | 六角穴ボルト | (9) |
| 38 | SQ-1150451-MZ | CONNECTING SCREW | チューブ連結ねじ | (1) |
| 39 | 107-24805 | OIL SEAL | 下軸オイルシール | (2) |
| 40 | SM-8050502-TP | SCREW M5 L=5 | 止めねじ | (2) |
| 41 | SS-6080610-TP | SCREW 1/8-44 L=6 | 平ねじ 1/8-44 L=6 | (2) |
| 42 | 107-25158 | OPENER ARM COMPL. | オープナー腕(結合) | (1) |
| 43 | 107-70501 | OPNER ARM SHAFT B | オープナー腕軸 B | (1) |
| 44 | 107-25604 | OPENER SHAFT | オープナー軸 | (1) |
| 45 | 400-63991 | OPENER_SHAFT_SCREW_GEAR | オープナー軸はすば歯車 | (1) |
| 46 | SM-8050502-TP | SCREW M5 L=5 | 止めねじ | (2) |
| 47 | 107-24706 | BEARING SPACER | 釜軸ベアリングスペーサー | (1) |
| 48 | 400-63992 | HOOK_SHAFT_SCREW_GEAR | 釜軸はすば歯車 | (1) |
| 49 | 400-52244 | HOOK SHAFT BASE ECCENTRIC PIN | 釜軸台偏心ピン | 1 |
| 50 | WP-0651056-SH | WASHER 6.5X11X1 | 平座金 6. 5 X 11 X 1 | 1 |
| 51 | SM-6062002-TP | SCREW M6 L=20 | 六角穴ボルト M6 L=20 | 2 |
| 52 | WP-0621016-SH | WASHER | 平座金 | 1 |
| | NOTE(注記) | #01....SELECTIVE PARTS | 選択部品 | |

10. HOOK COMPONENTS

釜関係



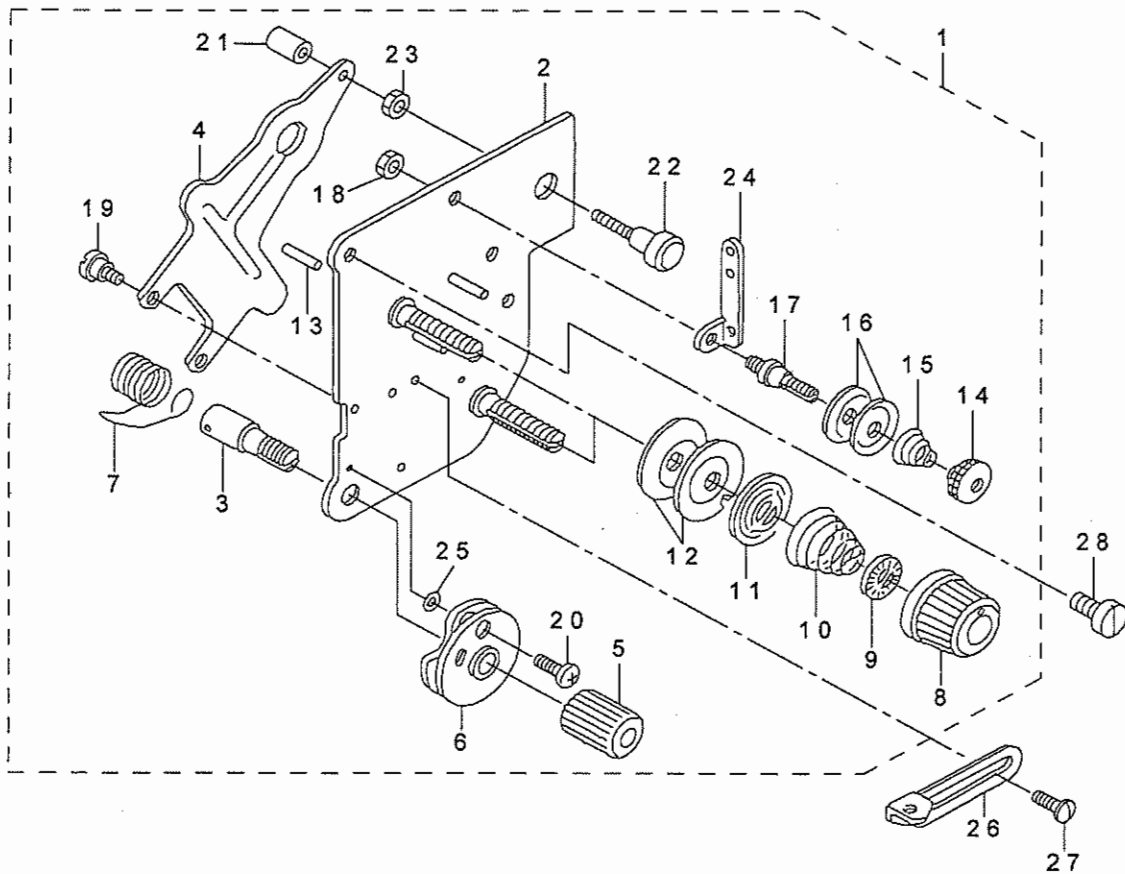
| REF.NO | NOTE | PART NO | DESCRIPTION | 品名 | Qty |
|--------|------|---------------|------------------------------|-------------------|-----|
| 1 | ★ | 107-61252 | HOOK ASM. | 釜(組) | 1 |
| 2 | ★ | 107-22809 | INNER HOOK PRESSER | 内釜押え | (1) |
| 3 | | 107-52467 | OUTER HOOK ASM. | 外釜組 | (1) |
| 4 | | 107-52202 | OIL CAP | 油蓋 | (1) |
| 5 | | 107-52301 | OIL CAP SETSCREW | 油蓋止めねじ | (1) |
| 6 | ★ | 107-23013 | NEEDLE HOLDER | 針受け | (1) |
| 7 | | 107-23203 | NEEDLE HOLDER SETSCREW | 針受け止めねじ | (2) |
| 8 | | 107-28509 | FILTER | 油量調節フィルター | (1) |
| 9 | | SM-8050602-TP | SCREW M5 L=6 | 止めねじ M5 X 0.8 L=6 | (2) |
| 10 | | 107-28608 | RUBBER RING | 給油リング | (1) |
| 11 | | 107-22601 | ADJUSTING SCREW | 油量調節ねじ | (1) |
| 12 | ★ | 107-28707 | RUBBER RING | 油量調節ねじ O リング | (1) |
| 13 | ★ | 107-28400 | URETHAN BALL | ウレタンボール | (1) |
| 14 | ★ | 107-52418 | OUTER HOOK | 外釜 | (1) |
| 15 | | 107-23104 | PRESSER SETSCREW | 内釜押え止めねじ | (3) |
| 16 | ★ | 107-23500 | IDLING PREVENTION SPRING | 空転防止ばね | (1) |
| 17 | ★ | 107-61203 | INNER HOOK | 中釜 | (1) |
| 18 | | 107-22908 | TENSION SPRING | 下糸調子ばね | (1) |
| 19 | | 107-23302 | ADJUSTING SCREW | 下糸調子ばね調節ねじ | (1) |
| 20 | | 107-23401 | TENSION SPRING SETSCREW | 下糸調子ばね止めねじ | (1) |
| 21 | ★ | 107-59603 | ALUMINUM BOBBIN (DOUBLE-CUT) | アルミボビン (ローレット付き) | 1 |



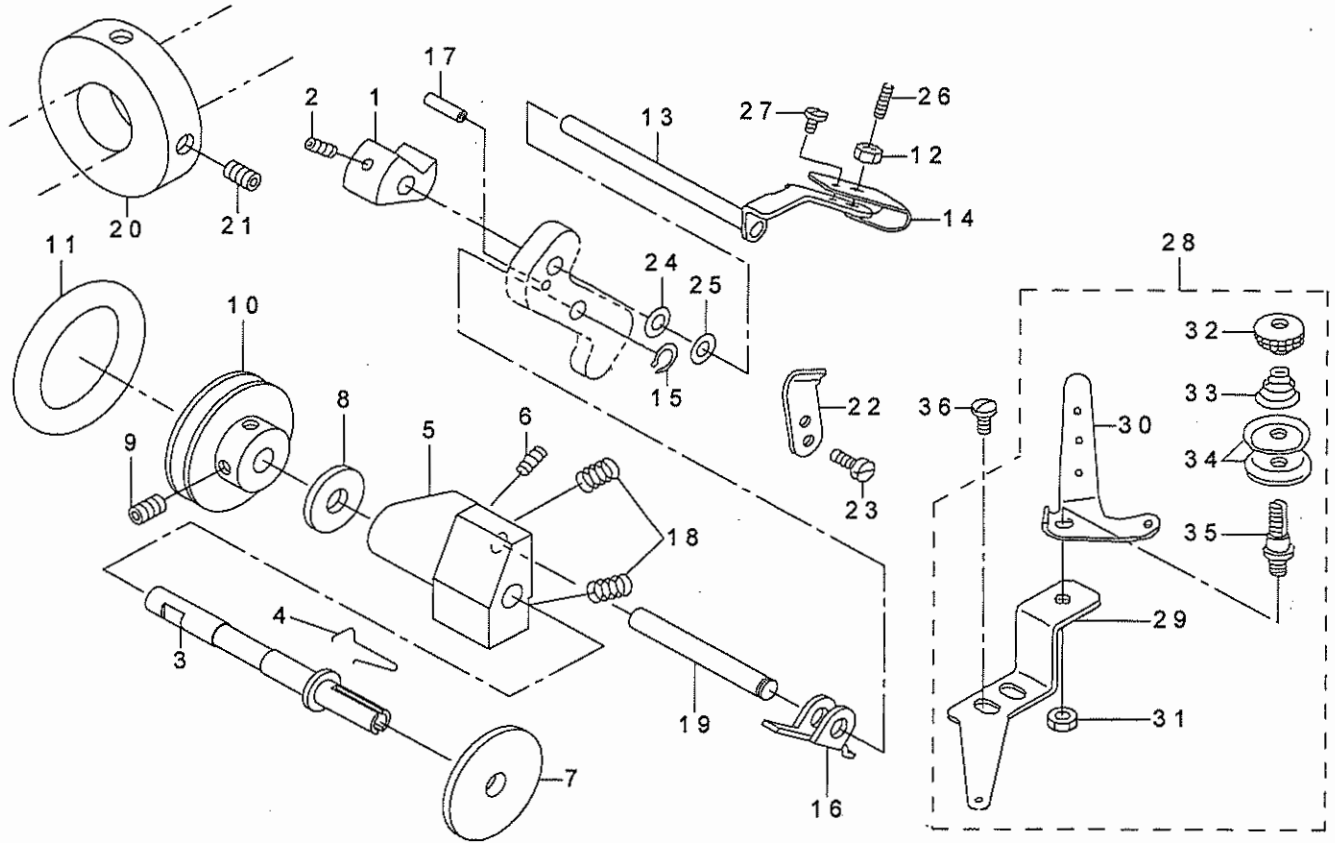
| REF.NO | NOTE | PART NO | DESCRIPTION | 品名 | Qty |
|--------|------|---------------|---------------------------|------------------------|-----|
| 1 | | 400-62425 | ASSY_THREAD_CATCHER | 糸揃み装置 (組) | 1 |
| 2 | | 400-58066 | THREAD_CATCHER_PLATE | 糸揃み取付板 | (1) |
| 3 | | PA-0800401-A0 | AIR CYLINDER | エアシリンダ | (1) |
| 4 | | SM-6851002-TP | SCREW M2.5 L=10 | 六角穴ボルト M 2. 5 L = 10 | (2) |
| 5 | | 400-58067 | THREAD_PRESSER | 糸押え | (1) |
| 6 | | 400-58068 | THREAD HOLDER | 糸押え受け | (1) |
| 7 | | SM-1030601-SC | SCREW M3 L=6 | 皿小ねじ M 3 X 0. 5 L = 6 | (1) |
| 8 | | 400-58069 | THREAD HOLDER_BASE | 糸押え受け土台 | (1) |
| 9 | | SM-1030601-SC | SCREW M3 L=6 | 皿小ねじ M 3 X 0. 5 L = 6 | (2) |
| 10 | | 226-83403 | NEEDLE BAR CONNECTION PIN | 針棒抱きピン | (1) |
| 11 | | 400-58065 | THREAD_CATCHER_COVER | 糸揃みカバー | (1) |
| 12 | | SM-6020452-TP | HEXAGONAL HOLE BOLT | 六角穴ボルト | (2) |
| 13 | | 400-62426 | THREAD_TENSION_ASM. | 糸調子 (組) | (1) |
| 14 | | 400-62427 | TENSION_POST | 調節軸 | (1) |
| 15 | | 129-39708 | TENSION DISC | 下糸調子皿 | (2) |
| 16 | ☆ | 129-39807 | TENSION SPRING | 下糸調子ばね | (1) |
| 17 | ☆ | 129-39906 | TENSION NUT | 下糸調子ダイヤル | (1) |
| 18 | | 400-62438 | THREAD_GUIDE_ASM. | 糸案内 (組) | (1) |
| 19 | | 400-62428 | THREAD_GUIDE | 糸案内 | (1) |
| 20 | ☆ | 400-62429 | THREAD_GUIDE_SPRING | 糸案内ばね | (1) |
| 21 | | SS-5060310-SP | SCREW 3/32-56 L=2.8 | ドラスねじ 3/32-56 L = 2. 8 | (1) |
| 22 | | PJ-3040203-02 | ELBOW | エルボユニオン | (1) |
| 23 | | HX-0029500-0D | WIRE MARK(5) | ワイヤーマーク (5) | (1) |
| 24 | | SS-2090710-TP | SCREW 9/64-40 L=7.2 | 丸皿ねじ 9/64-40 L = 7. 2 | 2 |

12.THREAD TENSION COMPONENTS

糸調子関係



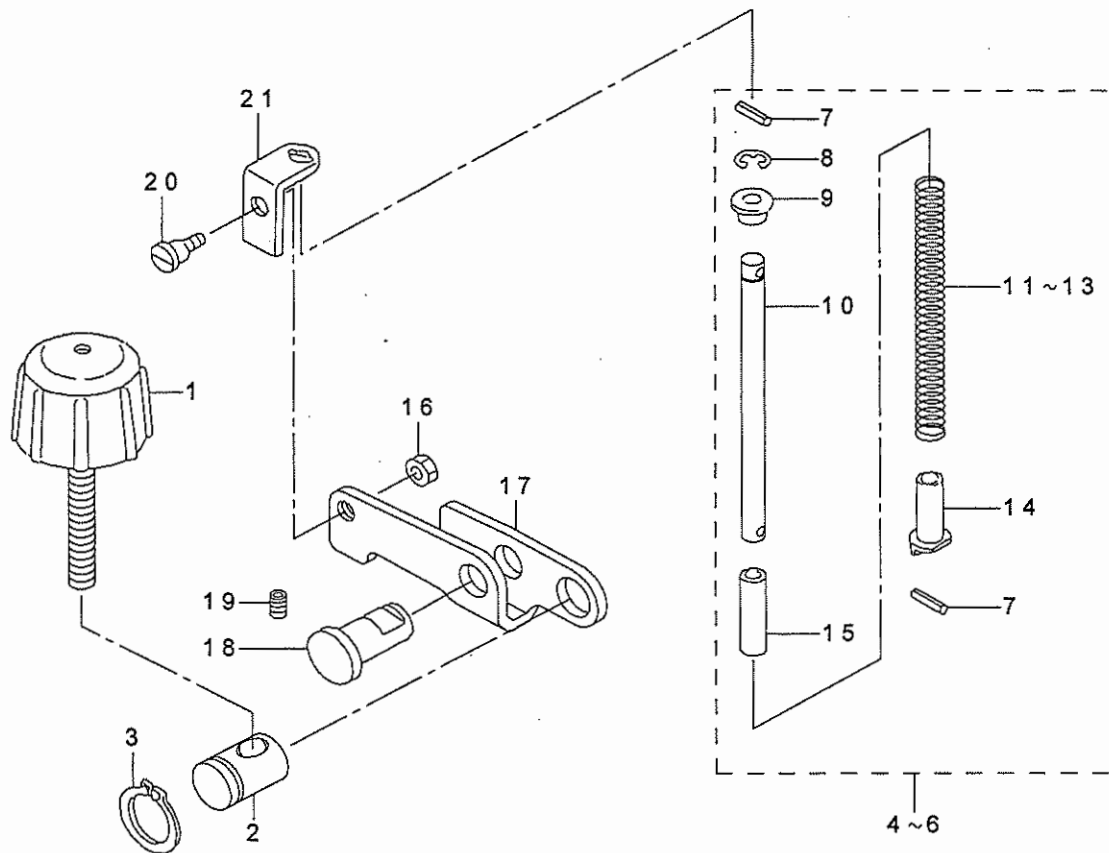
| REF.NO | NOTE | PART NO | DESCRIPTION | 品名 | Qty |
|--------|------|---------------|--------------------------------|---------------------|-----|
| 1 | | 107-02561 | THREAD TENSION ASM. | 糸調子組 | 1 |
| 2 | | 107-02553 | THREAD TENSION JUNCTION | 糸調子台板結合 | (1) |
| 3 | | 103-20109 | SCREW STUD | 糸取りばね軸 | (1) |
| 4 | | 107-02603 | THREAD LOOSENING PLATE | 糸緩め板 | (1) |
| 5 | | 103-20208 | THRED TENSION STUD NUT | 糸取りばね軸ナット | (1) |
| 6 | | 107-41452 | THREAD TAKE-UP GUIDE ASM. | 糸取りばね案内(組) | (1) |
| 7 | ☆ | 107-02405 | THREAD TAKE-UP SPRING | 糸取りばね | (1) |
| 8 | ☆ | 107-44704 | THREAD TENSION NUT | 糸調子ナット | (2) |
| 9 | | 107-44803 | ROTATION AND STOP | 糸調子皿回転止め | (2) |
| 10 | ☆ | B3129-012-A00 | TENSION SPRING | 糸調子ばね A | (2) |
| 11 | | 107-44902 | THREAD TENSION PLATE SUPPERSSI | 糸調子皿押え | (2) |
| 12 | | B3126-352-000 | TENSION DISC | 糸調子皿 | (4) |
| 13 | | 107-41601 | THREAD LOOSEN PIN | 糸緩めピン | (2) |
| 14 | | B3216-047-000 | BOBBIN WINDER TENSION NUT | 糸調子ナット | (1) |
| 15 | ☆ | D3168-555-H0B | TENSION SPRING NO.1 | 第一糸調子ばね | (1) |
| 16 | | 107-41106 | FIRST THREAD TENSION PLATE | 第一糸調子皿 | (2) |
| 17 | | 107-03304 | FIRST THREAD TENSION BAR | 第一糸調子棒 | (1) |
| 18 | | NS-6110310-SP | NUT 11/64-40 | 六角ナット 11/64-40 | (1) |
| 19 | | SD-0470281-SP | HINGE SCREW D=4.7 H=2.8 | 段ねじ D=4.7 H=2.8 | (2) |
| 20 | | 107-41502 | STOP SCREW | 糸取りばね案内皿止めねじ | (1) |
| 21 | | 107-02702 | THREAD LOOSENING PIN | 糸緩め押しピン | (1) |
| 22 | | 107-02801 | THREAD LOOSENING SCREW | 糸緩め押しねじ | (1) |
| 23 | | NM-6040003-SC | NUT M4 | 六角ナット M4 | (1) |
| 24 | | 107-03205 | FIRST THREAD TENSION GUIDE | 第一糸調子案内 | (1) |
| 25 | | WP-0320501-SC | WASHER M3 | 平座金 3.2 X 7 X 0.5 | (1) |
| 26 | | 107-03106 | BALANCE THREAD GUIDE | 天秤糸案内 | 1 |
| 27 | | SS-5090420-SP | SCREW 9/64-40 L=3.5 | トラスねじ 9/64-40 L=3.5 | 2 |
| 28 | | SS-6121010-SP | SCREW 3/16-28 L=10 | 平ねじ 3/16-28 L=10 | 2 |



| REF.NO | NOTE | PART NO | DESCRIPTION | 品名 | Qty |
|--------|------|---------------|--------------------------------|----------------------|-----|
| 1 | | 107-03502 | BOBBIN CUM | 糸巻きカム | 1 |
| 2 | | SM-8040602-TP | SCREW M4X0.7 L=6 | 止めねじ | 1 |
| 3 | | 107-03601 | BOBBIN SHAFT | 糸巻き軸 | 1 |
| 4 ★ | | 107-03700 | BOBBIN SPRING | ボビン止めばね | 1 |
| 5 | | 107-03908 | BOBBIN SHAFT BASE | 糸巻き軸台 | 1 |
| 6 | | SM-8040602-TP | SCREW M4X0.7 L=6 | 止めねじ | 1 |
| 7 | | B3205-210-000 | CUSHION | ボビン座 | 1 |
| 8 | | WP-0651056-SH | WASHER 6.5X11X1 | 平座金 6.5 X 11 X 1 | 1 |
| 9 | | SS-7110810-SP | SCREW 11/64-40 L=8.0 | 丸平ねじ 11/64-40 L=8 | 2 |
| 10 | | B3211-210-000 | BOBBIN WINDER WHEEL | 糸巻き車 | 1 |
| 11 ★ | | 400-11368 | FRICITION WHEEL | 糸巻き摩擦車 | 1 |
| 12 | | NS-6110360-SP | NUT | 六角ナット | 1 |
| 13 | | 107-03452 | BOBBIN PRESSER ASM. | ボビン押え結合 | 1 |
| 14 | | 107-03809 | BOBBIN PRESSER SPRING | ボビン押えばね | 1 |
| 15 | | D2430-555-B00 | SNAP RING | カムローラ軸 C リング | 1 |
| 16 | | B3207-210-000 | TRIP LATCH | 糸巻き調節体 | 1 |
| 17 | | PS-0200102-KH | SPRING PIN 2.0 X 10 | スプリングピン 2.0 X 10 | 1 |
| 18 | | B3208-210-000 | SPRING A | 糸巻き調節体ばね A | 2 |
| 19 | | 107-04005 | BOBBIN SHAFT BASE SHAFT | 糸巻き軸台止め軸 | 1 |
| 20 | | 107-04807 | BOBBIN FRICTION WHEEL | 糸巻き摩擦車 | 1 |
| 21 | | SM-8050602-TP | SCREW M5 L=6 | 止めねじ M5 X 0.8 L=6 | 2 |
| 22 | | 105-02300 | THREAD CUTTER | 糸巻き保持板 | 1 |
| 23 | | SS-6090620-TP | SCREW | 平ねじ | 2 |
| 24 | | WP-0531001-SC | WASHER M5 | 平座金みがき丸 M5 | 1 |
| 25 | | WP-0520656-SA | WASHER 5.2X9.5X0.6 | 平座金 5.2 X 9.5 X 0.6 | 1 |
| 26 | | SS-8111610-SP | SCREW 11/64-40 L=15.5 | 止めねじ 11/64-40 L=15.5 | 1 |
| 27 | | SS-7110340-SP | SCREW 11/64-40 L=3.2 | 丸平ねじ 11/64-40 L=3 | 1 |
| 28 | | 107-04153 | BOBBIN THREAD GUIDE PLATE ASM. | 糸巻き案内板 (組) | 1 |
| 29 | | 107-04104 | BOBBIN THREAD GUIDE PLATE | 糸巻き案内板 | (1) |
| 30 | | 100-88003 | THREAD GUIDE | 第一糸調子棒案内 | (1) |
| 31 | | NS-6110310-SP | NUT 11/64-40 | 六角ナット 11/64-40 | (1) |
| 32 | | B3216-047-000 | BOBBIN WINDER TENSION NUT | 糸調子ナット | (1) |
| 33 ★ | | D3168-555-HOB | TENSION SPRING NO.1 | 第一糸調子ばね | (1) |
| 34 | | B3214-047-000 | BOBBIN WINDER TENSION DISC | 糸調子皿 | (2) |
| 35 | | 101-24204 | THREAD TENSION POST, A | 第一糸調子棒 A | (1) |
| 36 | | SS-7621040-SP | SCREW 3/16-32 L=9.5 | 丸平ねじ 3/16-32 L=9.5 | 2 |

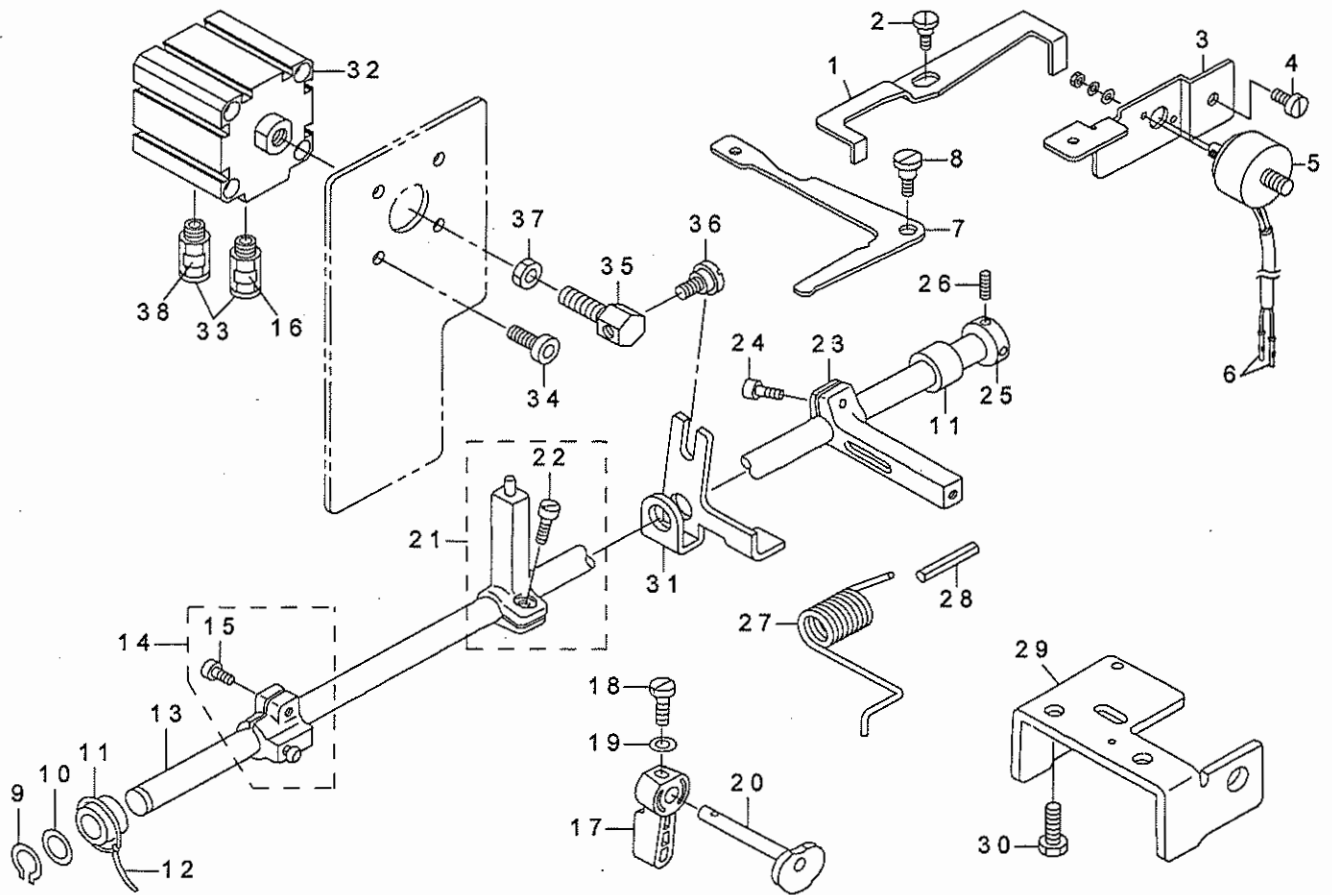
14.PRESSURE ADJUSTING COMPONENTS

押え圧調節関係



| REF.NO | NOTE | PART NO | DESCRIPTION | 品名 | Qty |
|--------|------|---------------|--------------------------|------------------|-------|
| 1 | | 107-43300 | ADJUSTMENT DIAL | 押え調節ダイヤル | 1 |
| 2 | | 107-16009 | ADJUSTING HINGE PIN | 押え調節ヒンジピン | 1 |
| 3 | | RC-1200001-KP | C-SHAPED SNAP RING | C形止め輪 | 1 |
| 4 | #01 | 107-17056 | ADJUSTMENT SPRING ASM. | 押え調節ばね(組) | 1 |
| 5 | | 400-64240 | ADJUSTMENT_SPRING_ASM. | 押え調節ばねφ1.8組 | 1 |
| 6 | #01 | 107-18351 | ADJUSTMENT SPRING ASM. | 押え調節ばねφ1.4組 | 1 |
| 7 | | PS-0300082-KH | SPRING PIN 3X8 | スプリングピン 3.0 X 8 | (2) |
| 8 | | RE-0500000-K0 | E-RING | E形止め輪 5 | (1) |
| 9 | | 107-15506 | SPRING RECEIVING, UPPER | 押え調節ばね受け(上) | (1) |
| 10 | | 400-52260 | ADJUSTING SPRING SHAFT | 押え圧調節ばね軸 | (1) |
| 11 | ☆ | #01 107-17007 | ADJUSTING SPRING | 押え調節ばね | (1) |
| 12 | ☆ | 107-15902 | ADJUSTMENT SPRING 1.8 | 押え調節ばね(φ1.8) | (1) |
| 13 | ☆ | #01 107-18302 | ADJUSTMENT SPRING 1.4 | 押え調節ばね(φ1.4) | (1) |
| 14 | | 107-15605 | SPRING RECEIVING, LOWER | 押え調節ばね受け(下) | (1) |
| 15 | | BP-6000000-00 | VINYL PIPE | ビニールパイプ | (0.1) |
| 16 | | NS-6150430-SP | NUT 15/64-28 | 六角ナット 15/64-28 | 1 |
| 17 | | 107-16108 | ADJUSTING ARM | 押え圧調節腕 | 1 |
| 18 | | 107-16207 | ADJUSTING ARM SHAFT | 押え圧調節腕軸 | 1 |
| 19 | | SS-8120740-SP | SCREW 3/16-28 L=7 | 止めねじ 3/16-28 L=7 | 1 |
| 20 | | SD-0700332-SP | HINGE SCREW D=7 H=3.5 | 段ねじ D=7 H=3.5 | 1 |
| 21 | | 107-16603 | ADJUSTING SPRING SUPPORT | 押え圧調節ばね支え | 1 |
| | | NOTE(注記) | #01....OPTIONAL PARTS | オプション部品 | |

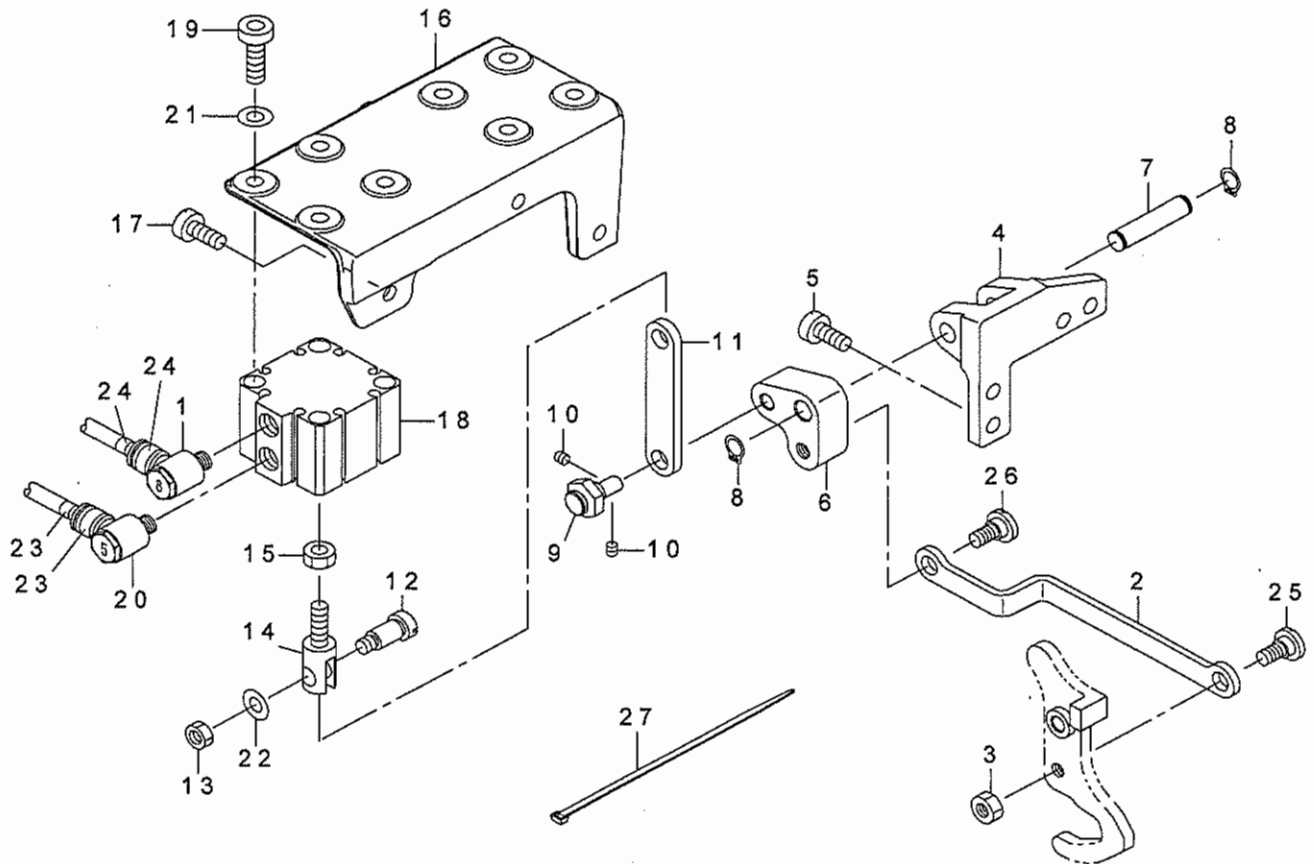
押え上げ・自動押え上げ・糸緩め機構関係



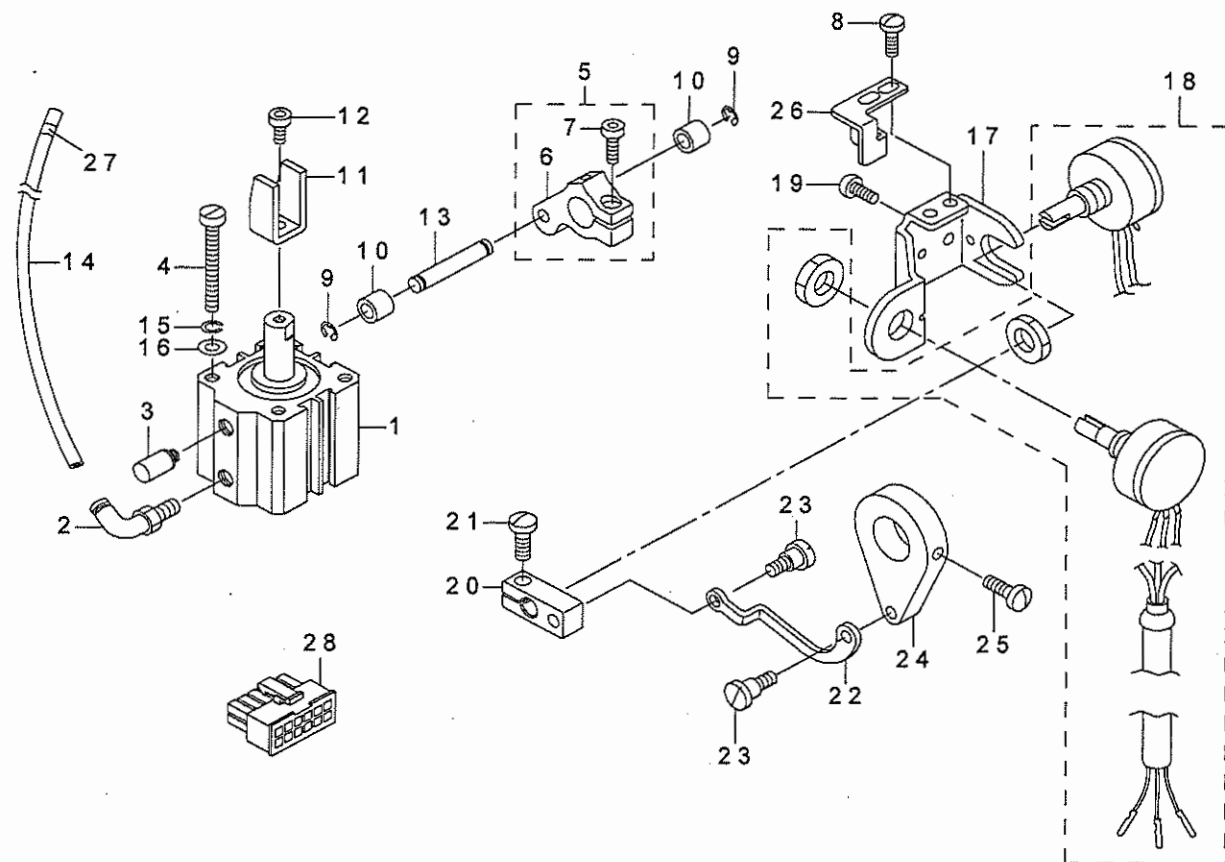
| REF.NO | NOTE | PART NO | DESCRIPTION | 品名 | Qty |
|--------|------|---------------|---------------------------|--------------------|-----|
| 1 | | 107-29010 | THREAD LOOSENING ARM | 糸緩め腕 | 1 |
| 2 | | SD-0790203-SP | HINGE SCREW D=7.94 H=2 | 段ねじ D=7.94 H=2 | 1 |
| 3 | | 107-29218 | SOLENOID FITTING PLATE | 糸緩めソレノイド取付け板 | 1 |
| 4 | | SS-6121010-SP | SCREW 3/16-28 L=10 | 平ねじ 3/16-28 L=10 | 2 |
| 5 | | 107-28905 | THREAD LOOSENING SOLENOID | 糸緩めソレノイド | 1 |
| 6 | | HK-0346400-0B | PIN CONTACT | ピンコンタクト | 2 |
| 7 | | 107-28806 | THREAD LOOSENING LEVER | 糸緩めレバー | 1 |
| 8 | | SD-0901201-TP | HINGE SCREW D=9 H=3.2 | 段ねじ D=9 H=3.2 | 1 |
| 9 | | RC-1200001-KP | C-SHAPED SNAP RING | C形止め輪 | 1 |
| 10 | | WP-1221016-SP | WASHER | 平座金 | 1 |
| 11 | | 107-31008 | KNEE LIFT FRONT METAL | 膝上げ軸前メタル | 2 |
| 12 | | CQ-2000000-00 | OIL WICK | 油芯 | 0.2 |
| 13 | | 107-30513 | KNEE LIFT SHAFT | 膝上げ軸 | 1 |
| 14 | | 107-29754 | PRESSER LIFT ARM ASM. | 押え上げ腕(組) | 1 |
| 15 | | SM-6051402-TP | SCREW M5X0.8 L=14 | 六角穴ボルト | (1) |
| 16 | | HX-0029500-0F | WIRE MARK (7) | ワイヤーマーク(7) | 1 |
| 17 | | 229-07802 | HAND LIFTER | 押え上げレバー | 1 |
| 18 | | SS-7090910-TP | SCREW 9/64-40 L=8.5 | 丸平ねじ 9/64-40 L=8.5 | 1 |
| 19 | | WP-0371016-SD | WASHER 3.7X8X1 | 平座金 3.7X8X1 | 1 |
| 20 | | 107-29606 | PRESSER LIFT CAM | 押え上げカム | 1 |
| 21 | | 107-29952 | THREAD LOOSENING ARM ASM. | 糸緩め腕(組) | 1 |
| 22 | | SM-6061210-SC | SCREW M6 L=12 | 平小ねじ M6 L=12 | (1) |
| 23 | | 107-30109 | KNEE LIFT ARM A | 膝上げ腕 A | 1 |
| 24 | | SM-6061202-TP | SCREW M6 L=12 | 六角穴ボルト M6 L=12 | 1 |
| 25 | | CS-1201011-SH | THRUST COLLAR D=12 W=10 | スラスト受 D=12 W=10 | 1 |
| 26 | | SS-8660610-TP | SCREW 1/4-40 L=6 | 止めねじ 1/4-40 L=6 | 2 |
| 27 | | 107-55502 | KNEE LIFTER SPRING | 膝上げばね | 1 |
| 28 | | PS-0500302-KH | SPRING PIN 5X30 | スプリングピン 5X30 | 1 |
| 29 | | 107-30703 | KNEE SIDE SHAFT HOLDER | 膝当て横軸受け | 1 |
| 30 | | SM-9081050-SE | SCREW | 六角ボルト | 2 |
| 31 | | 107-36908 | PRESSER LIFT LEVER | 押え上げてこ | 1 |
| 32 | | PA-4002003-00 | AIR CYLINDER | エアシリンダ | 1 |
| 33 | | PJ-3010651-04 | HALF UNION | ストレート | 2 |
| 34 | | SM-6081802-TP | SCREW | 六角穴ボルト | 2 |
| 35 | | 107-37013 | CYLINDER CONNECTION SCREW | シリンダー連結ねじ | 1 |
| 36 | | SD-0720331-SP | HINGE SCREW D=7.24 H=3.3 | 段ねじ D=7.24 H=3.3 | 1 |
| 37 | | NM-6080001-SE | NUT M8 | 六角ナット M8 1種 | 1 |
| 38 | | HX-0029500-0G | WIRE MARK (8) | ワイヤーマーク「8」 | 1 |

16.2P DEVICE

2 P 装置



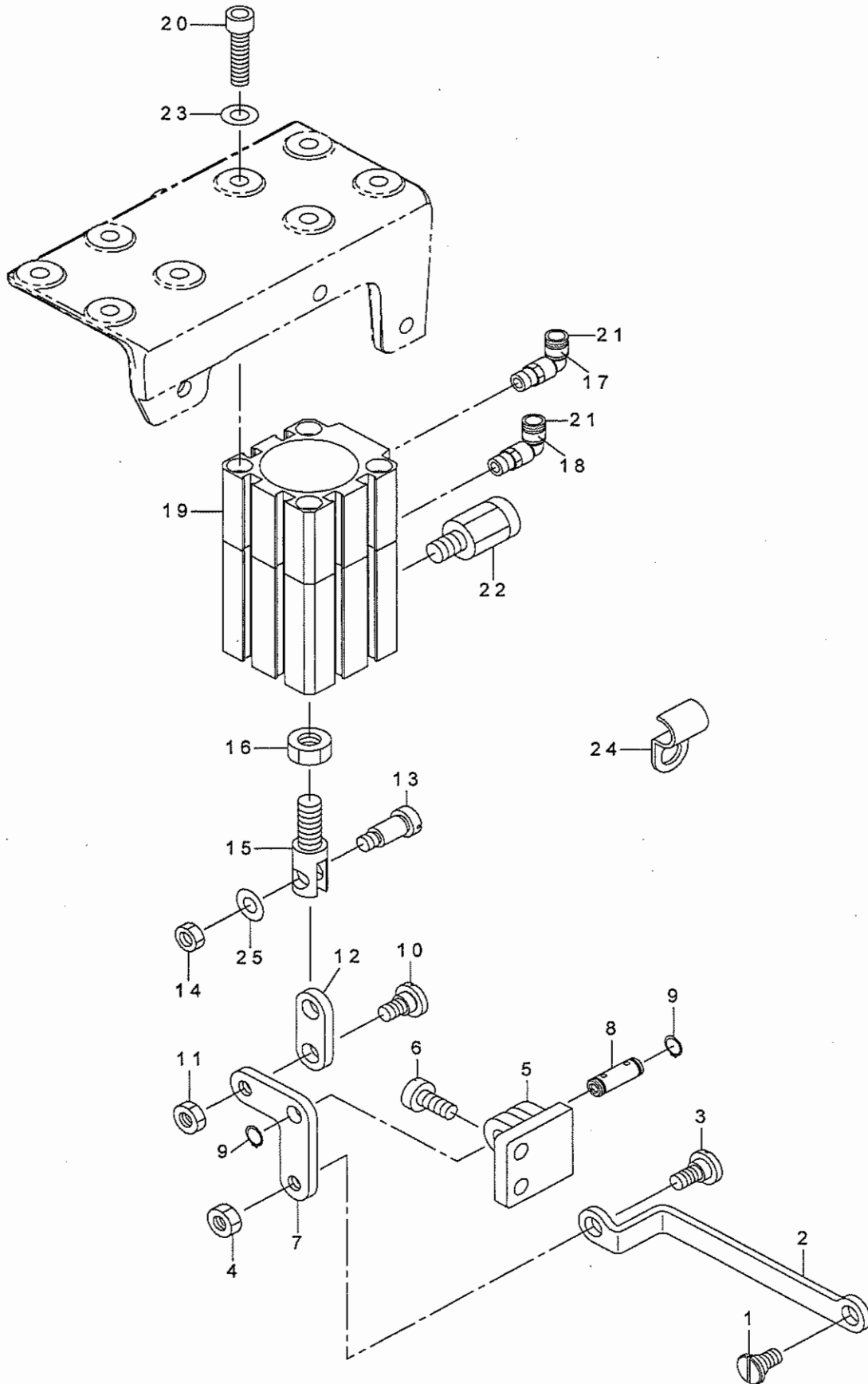
| REF.NO | NOTE | PART NO | DESCRIPTION | 品名 | Qty |
|--------|------|---------------|-------------------------------|-------------------|-----|
| 1 | | PC-015118H-00 | SPEED CONTROLLER WITH ORIFISE | 固定絞付きスピードコントローラ | 1 |
| 2 | | 400-25561 | FEED CONNECTING LINK | 送り調節体リンク | 1 |
| 3 | | NS-6150540-SP | NUT 15/64-28 | 六角ナット 15/64-28 | 1 |
| 4 | | 400-31233 | TRANSFORM LINK BASE | 変換リンク土台 | 1 |
| 5 | | SS-6151440-SP | SCREW 15/64-28 L=14 | 平ねじ 15/64-28 L=14 | 4 |
| 6 | | 400-31234 | TRANSFORM LINK | 変換リンク | 1 |
| 7 | | 400-31235 | FULCRUM SHAFT | 変換リンク支点軸 | 1 |
| 8 | | RC-0740811-KP | C-RING | C形止め輪 8 | 2 |
| 9 | | 213-37902 | ECCENTRIC PIN | 送り調節偏心ピン | 1 |
| 10 | | SM-8040412-TP | SET SCREW M4 L=4 | 止めねじ | 2 |
| 11 | | 400-52246 | CYLINDER CONNECTING LINK | シリンダ連結リンク | 1 |
| 12 | | SD-0791271-SP | HINGE SCREW D=7.94 H=12.7 | 段ねじ D=7.94 H=12.7 | 1 |
| 13 | | NS-6150430-SP | NUT 15/64-28 | 六角ナット 15/64-28 | 1 |
| 14 | | 107-36601 | CYLINDER KNUCKLE JOINT | 逆送りシリンダナックルジョイント | 1 |
| 15 | | NM-6060001-SE | NUT M6 | 六角ナット M6 1種 | 1 |
| 16 | | 400-58056 | INSTALLING BASE | シリンダ取付板 | 1 |
| 17 | | SS-6151440-SP | SCREW 15/64-28 L=14 | 平ねじ 15/64-28 L=14 | 3 |
| 18 | | PA-3201004-00 | AIR CYLINDER | エアシリンダ | 1 |
| 19 | | SM-6061802-TP | SCREW M6 L=18 | 六角穴ボルト | 4 |
| 20 | | PC-015118E-00 | SPEED CONTROLLER WITH ORIFISE | 固定絞付きスピードコントローラ | 1 |
| 21 | | WP-0641601-SD | WASHER M6 | 平座金みがき丸 M6 | 4 |
| 22 | | WP-0621016-SD | WASHER 6.2X13X1 | 平座金 6.2 X 13 X 1 | 1 |
| 23 | | HX-0029500-OK | WIRE MARK (B) | ワイヤーマーク (B) | 2 |
| 24 | | HX-0029500-OL | WIRE MARK (C) | ワイヤーマーク (C) | 2 |
| 25 | | SD-0800352-SP | HINGE SCREW D=8 H=3.5 | 段ねじ D=8 H=3.5 | 1 |
| 26 | | SD-0800352-SP | HINGE SCREW D=8 H=3.5 | 段ねじ D=8 H=3.5 | 1 |
| 27 | | EA-9500B02-00 | CABLE BAND 150 | 結束バンド150 | 1 |



| REF.NO | NOTE | PART NO | DESCRIPTION | 品名 | Qty |
|--------|------|---------------|----------------------------|---------------------|-----|
| 1 | | PA-2502006-00 | AIR CYLINDER | エアシリンダ | 1 |
| 2 | | PJ-3040605-01 | ELBOW | エルボ | 1 |
| 3 | | PX-0505010-00 | SILENCER | 消音器 | 1 |
| 4 | | SM-6044500-SP | SCREW | 平ねじ | 2 |
| 5 | | 107-35959 | VERTICAL CYLINDER ARM ASM. | 交互上下シリンダー腕 (組) | 1 |
| 6 | | 107-35900 | VERTICAL CYLINDER ARM | 交互上下シリンダー腕 | (1) |
| 7 | | SM-6051402-TP | SCREW M5X0.8 L=14 | 六角穴ボルト | (1) |
| 8 | | SS-7110510-SP | SCREW 11/64-40 L=5 | 丸平ねじ 11/64-40 L=5 | 2 |
| 9 | | RE-0320000-K0 | E-RING 3.2 | E形止め輪 3.2 | 2 |
| 10 | | B3031-141-H00 | CONNECTING STUD | 抱きガイドコロ | 2 |
| 11 | | 107-36007 | ROLLER HOLDER | ローラー受け | 1 |
| 12 | | SM-6050802-TP | SCREW M5X0.8 L=8 | 六角穴ボルト M5X0.7 L=8 | 1 |
| 13 | | B1504-210-000 | CONNECTING SHAFT | ソレノイド連結軸 | 1 |
| 14 | | BT-0600401-EB | TUBE | チューブ | 1.2 |
| 15 | | WS-0410002-KN | SPRING WASHER | ばね座金 M4 | 2 |
| 16 | | WP-0450846-SP | WASHER | 平座金 | 2 |
| 17 | | 107-37500 | SPEED VOLUME FITTING PLATE | 速度可変ボリューム取付け板 | 1 |
| 18 | | 400-24865 | POTENTIAL METER ASM. | CD ポテンショメータ組 | 1 |
| 19 | | SS-7110910-TP | SCREW 11/64-40 L= 8.5 | 丸平ねじ 11/64-40 L=8.5 | 2 |
| 20 | | 400-52249 | VOLUME ARM | ボリューム腕 | 1 |
| 21 | | SS-7110910-TP | SCREW 11/64-40 L= 8.5 | 丸平ねじ 11/64-40 L=8.5 | 1 |
| 22 | | 107-37708 | SPEED VOLUME LINK | 速度可変ボリュームリンク | 1 |
| 23 | | SD-0550212-TP | HINGE SCREW D=5.5 H=2.1 | 段ねじ D=5.5 H=2.1 | 2 |
| 24 | | 107-37807 | VOLUME LINK ARM | ボリュームリンク腕 | 1 |
| 25 | | SS-7110910-TP | SCREW 11/64-40 L= 8.5 | 丸平ねじ 11/64-40 L=8.5 | 1 |
| 26 | | 107-38755 | PRESSER PLATE ASM. | ボリューム押え板 (組) | 1 |
| 27 | | HX-0029500-0H | WIRE MARK (9) | ワイヤーマーク [9] | 1 |
| 28 | | HK-0346101-20 | CONNECTOR | ハウジング 12 P | 1 |

18.BACK TUCK COMPONENTS

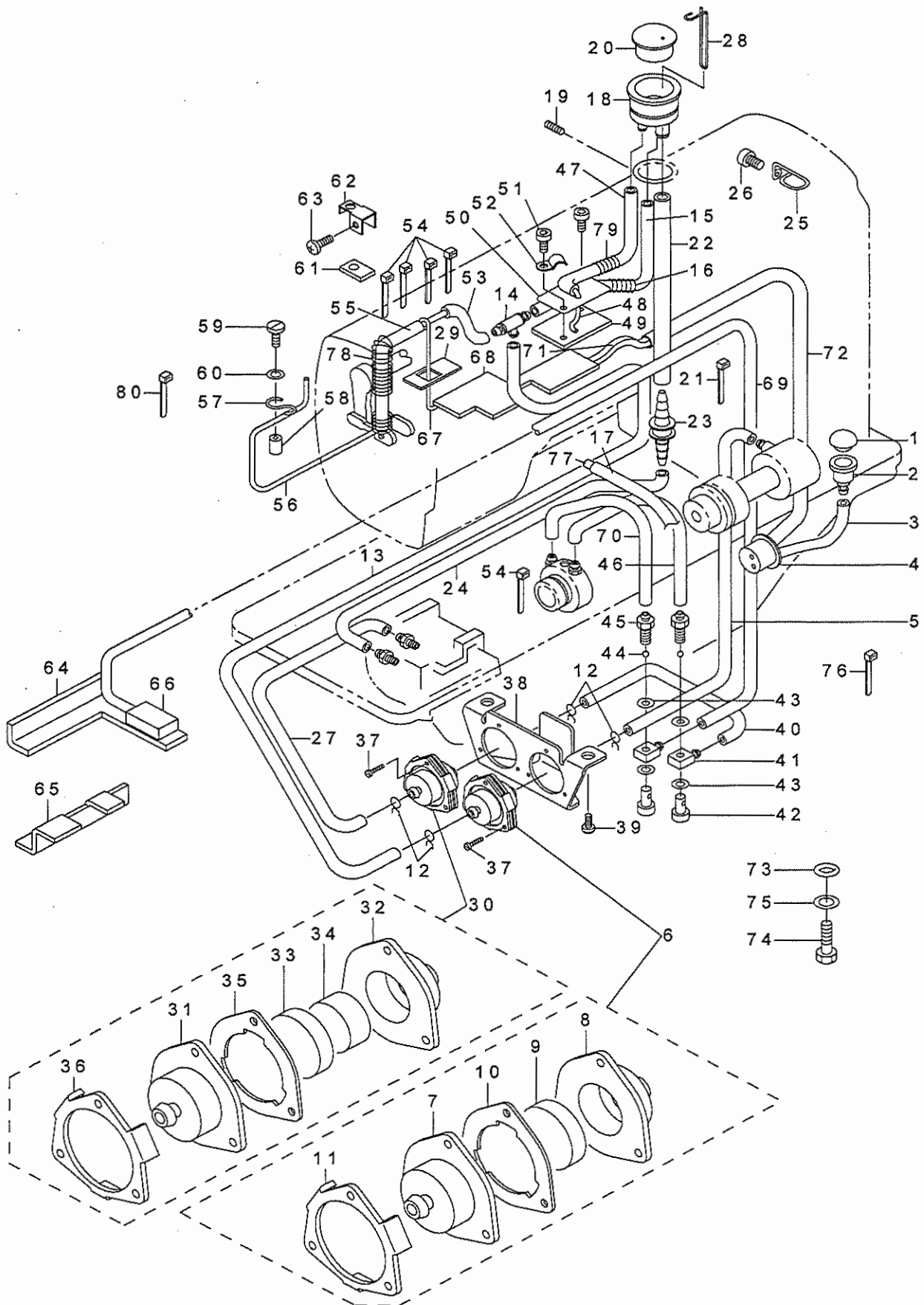
バックタック関係



| | | | Qty | |
|----|---------------|--------------------------------|-------------------|---|
| 1 | SD-0800346-TP | SHOULDER SCREW | 段ねじ D=8 H=3.4 | 1 |
| 2 | 107-36403 | BACKWARD FEED ROD | 逆送りロッド | 1 |
| 3 | SD-0800352-SP | HINGE SCREW D=8 H=3.5 | 段ねじ D=8 H=3.5 | 1 |
| 4 | NS-6150540-SP | NUT 15/64-28 | 六角ナット 15/64-28 | 1 |
| 5 | 107-75807 | LINK FITTING BASE | 逆送りリンク取付け台 | 1 |
| 6 | SS-6151440-SP | SCREW 15/64-28 L=14 | 平ねじ 15/64-28 L=14 | 2 |
| 7 | 400-58055 | BACKWARD_FEED_LINK_A | 逆送りリンク A | 1 |
| 8 | 107-18906 | VERTICAL FEED LINK SHAFT | 上下送りリンク軸 | 1 |
| 9 | RC-0650811-KP | RETAINING RING | C形止め輪 | 2 |
| 10 | SD-0800402-TP | HINGE SCREW D=8 H=4 | 段ねじ D=8 H=4 | 1 |
| 11 | NS-6150430-SP | NUT 15/64-28 | 六角ナット 15/64-28 | 1 |
| 12 | 400-58053 | BACKWARD_FEED_CONNECTING_PLATE | 逆送り連結板 | 1 |
| 13 | SD-0791271-SP | HINGE SCREW D=7.94 H=12.7 | 段ねじ D=7.94 H=12.7 | 1 |
| 14 | NS-6150430-SP | NUT 15/64-28 | 六角ナット 15/64-28 | 2 |
| 15 | 400-58143 | CYLINDER_KNUCKLE_JOINT | 逆送りナックルジョイント | 1 |
| 16 | NM-6080001-SE | NUT M8 | 六角ナット M8 1種 | 1 |
| 17 | HX-0029500-00 | WIRE MARK(1) | ワイヤーマーク (1) | 1 |
| 18 | HX-0029500-0A | WIRE MARK(2) | ワイヤーマーク (2) | 1 |
| 19 | PA-3202002-00 | AIR CYLINDER | エアシリンダ | 1 |
| 20 | SM-6062502-TP | SCREW M6 L=25 | 六角穴ボルト M6 L=25 | 4 |
| 21 | PJ-3040651-02 | ELBOW | エルボ | 2 |
| 22 | PX-0151010-00 | MUFFLER | マフラ | 2 |
| 23 | WP-0641601-SD | WASHER M6 | 平座金みがき丸 M6 | 4 |
| 24 | B3538-112-000 | OIL RETURN TUBE HOLDER | 還流パイプ押え | 1 |
| 25 | WP-0621016-SD | WASHER 6.2X13X1 | 平座金 6.2 X 13 X 1 | 1 |

19. LUBRICATION COMPONENTS

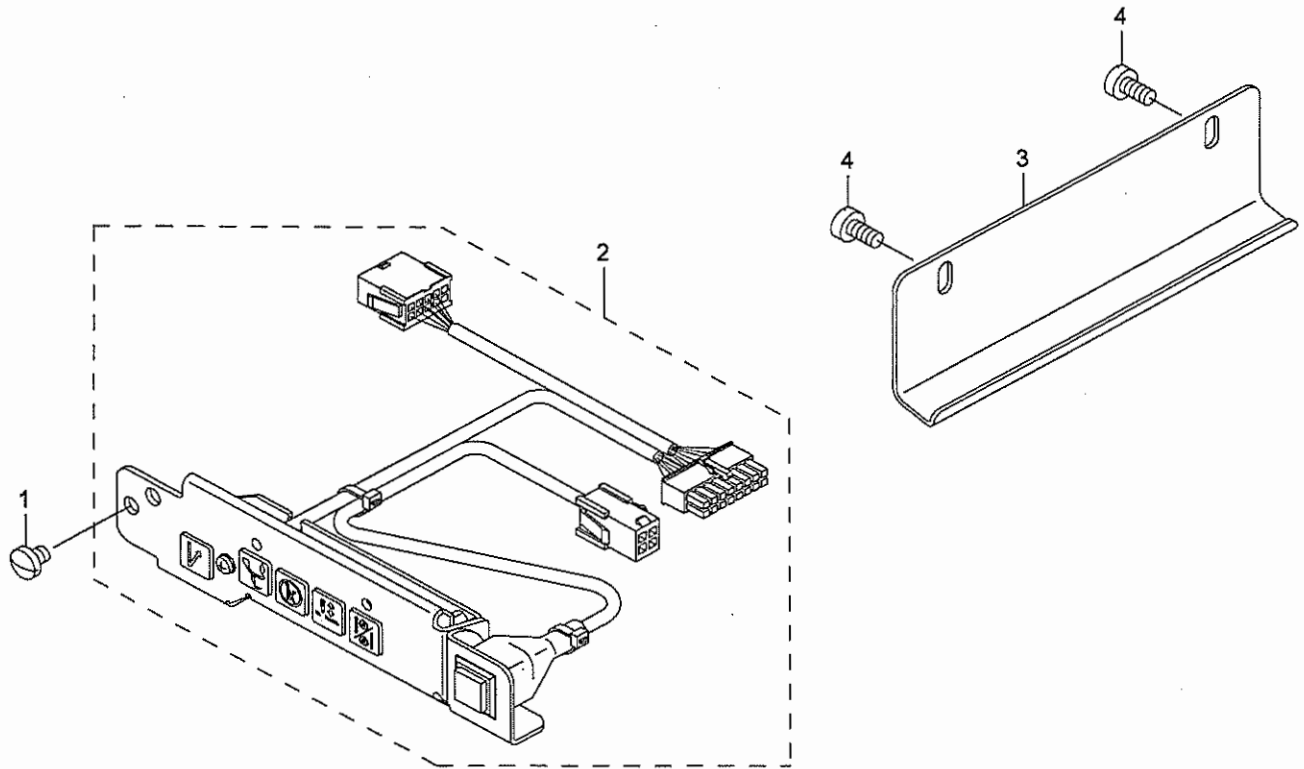
給油関係



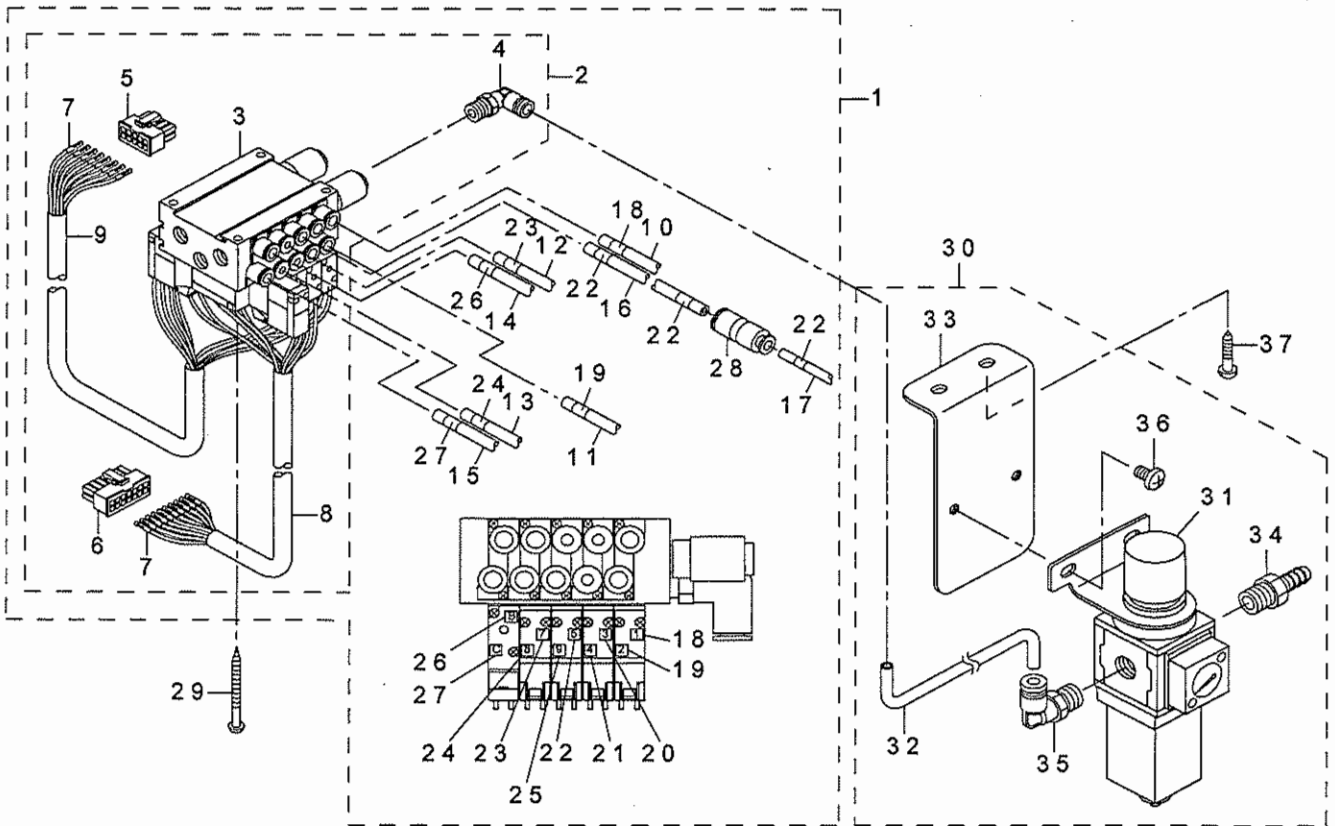
| | | | | |
|----|-----------------|---------------------------------|---------------------|------|
| 1 | TA-1450404-R0 | RUBBER PLUG D=14.5 L=4 | 止栓 D=14.5 L=4 | 1 |
| 2 | 107-31404 | LUBRICATING HOLE | 給油口 | 1 |
| 3 | BT-0600402-EA | OIL TUBE | チューブ | 0.2 |
| 4 | 107-33004 | BED TANK LUBRICATING COVER | ベッドタンク給油蓋 | 1 |
| 5 | BT-0500300-E0 | OIL TUBE | ウレタン チューブ D=3 X 5 | 0.3 |
| 6 | 107-27154 | FILTER A ASM. | フィルターA (組) | 1 |
| 7 | 107-27105 | FILTER CASE | フィルターケース | (1) |
| 8 | 107-27204 | FILTER CAP | フィルターキャップ | (1) |
| 9 | B8228-125-000 | OIL RESERVOIR MAGNET | 磁石 | (1) |
| 10 | 107-39209 | FILTER PACKING | フィルターパッキン | (1) |
| 11 | 107-53002 | FILTER PLATE | フィルター押え板 | (1) |
| 12 | 101-26803 | OIL TUBE HOLDER | パイプ止め | 4 |
| 13 | BT-0500300-E0 | OIL TUBE | ウレタン チューブ D=3 X 5 | 0.6 |
| 14 | B3521-245-000 | RUBBER JOINT | T 型継ぎ手 | 1 |
| 15 | BT-0500300-E0 | OIL TUBE | ウレタン チューブ D=3 X 5 | 0.2 |
| 16 | B3520-245-000 | SPRING | ばね | 1 |
| 17 | BT-0800602-E0 | URETHANE TUBE 6X8 TRANSPARENT | ウレタンチューブ 6 X 8 透明 | 0.14 |
| 18 | 107-71509 | OIL WINDOW | 油のぞき台 | 1 |
| 19 | SS-8150750-SP | SCREW 15/64-28 L=7 | 止めねじ 15/64-28 L=7 | 1 |
| 20 | 107-60304 | OIL SIGHT WINDOW | 油のぞき窓 | 1 |
| 21 | EA-9500800-00 | CLIP CV-70S | 結束バンド 60 | 3 |
| 22 | BT-0800602-E0 | URETHANE TUBE 6X8 TRANSPARENT | ウレタンチューブ 6 X 8 透明 | 0.17 |
| 23 | 107-71301 | PIPE CONNECTOR B | パイプ継手 B | 1 |
| 24 | BT-0600402-EA | OIL TUBE | チューブ | 0.45 |
| 25 | 107-32709 | CORD GUIDE | コード案内 | 1 |
| 26 | SS-6121010-SP | SCREW 3/16-28 L=10 | 平ねじ 3/16-28 L=10 | 1 |
| 27 | BT-0500300-E0 | OIL TUBE | ウレタン チューブ D=3 X 5 | 0.15 |
| 28 | 107-60502 | LUBRICATION GUIDE BAR | 給油案内棒 | 1 |
| 29 | 107-47111 | LUBRICATING FELT | 上送り軸給油フェルト | 1 |
| 30 | 107-27162 | FILTER B ASM. | フィルターB (組) | 1 |
| 31 | 107-27105 | FILTER CASE | フィルターケース | (1) |
| 32 | 107-27204 | FILTER CAP | フィルターキャップ | (1) |
| 33 | B8228-125-000 | OIL RESERVOIR MAGNET | 磁石 | (1) |
| 34 | ★ 107-27303 | FILTER | フィルター | (1) |
| 35 | ★ 107-39209 | FILTER PACKING | フィルターパッキン | (1) |
| 36 | 107-53002 | FILTER PLATE | フィルター押え板 | (1) |
| 37 | SM-6021000-TP | SCREW | 平ねじ | 6 |
| 38 | 107-55403 | FILTER FIXING PLATE | フィルター固定板 | 1 |
| 39 | SM-6081210-SC | SCREW M6 L=12 | 平小ねじ M6 L=12 | 2 |
| 40 | BT-0500300-E0 | OIL TUBE | ウレタン チューブ D=3 X 5 | 0.1 |
| 41 | SQ-0000401-MZ | CONNECTING SCREW | チューブ連結ねじ | 2 |
| 42 | B3525-357-000 | CONNECTING SCREW (B) | L 型連結ねじ B | 2 |
| 43 | B3534-012-000 | GASKET | パッキン | 4 |
| 44 | 210-54903 | BALL | 送り調節用 鋼球 | 2 |
| 45 | 107-02108 | CONNECTING SCREW | パイプ連結ねじ | 2 |
| 46 | BT-0500300-E0 | OIL TUBE | ウレタン チューブ D=3 X 5 | 0.13 |
| 47 | BT-0600402-EA | OIL TUBE | チューブ | 0.28 |
| 48 | CQ-2520000-00 | OIL WICK | 油芯 | 0.55 |
| 49 | 107-32402 | VERTICAL LUBRICATING FELT | 交互上下給油フェルト | 1 |
| 50 | 107-32600 | LUBRICATING FELT PRESSER B | 給油フェルト押え B | 1 |
| 51 | SM-6050802-TP | SCREW M5X0.8 L=8 | 六角穴ボルト M5 X 0.7 L=8 | 1 |
| 52 | D2611-555-800-A | CABLE HOLDER | ケーブル止め金具 | 1 |
| 53 | BT-0600402-EA | OIL TUBE | チューブ | 0.04 |
| 54 | EA-9500801-00 | CABLE BAND | 束縛バンド | 11 |
| 55 | BT-0400251-EA | TUBE HOSE, BLUE | ウレタンホース 青 | 0.16 |
| 56 | CQ-2020000-00 | OIL WICK | 油芯 | 0.4 |
| 57 | B1648-122-000 | SUSPENSION HOOK (B) | 引ッ張りばね掛け B | 1 |
| 58 | 107-34606 | FELT PRESSER SPACER | 上送り給油フェルト押えスペーサー | 1 |
| 59 | SS-6081210-SP | SCREW 1/8-44 L=12 | 平ねじ 1/8-44 L=12 | 1 |
| 60 | WP-0320501-SC | WASHER M3 | 平座金 3.2 X 7 X 0.5 | 1 |
| 61 | 107-33608 | SWING STAND FELT, UPPER | 揺動台フェルト (上) | 1 |
| 62 | 107-33707 | SWING STAND FELT SUPPORT, UPPER | 揺動台フェルト (上) 押え | 1 |
| 63 | SM-4040601-SC | SCREW M4X0.7 L=6 | なべ小ねじ M4 X 0.7 L=6 | 1 |
| 64 | 107-34119 | RETURN CURRENT FELT | あご部還流フェルト | 1 |
| 65 | 107-02207 | FELT | 押え棒還流フェルト | 1 |
| 66 | 105-27901 | FELT | 還流フェルト | 1 |
| 67 | CQ-2020000-00 | OIL WICK | 油芯 | 0.25 |
| 68 | 107-34309 | FELT | アーム還流フェルト | 1 |
| 69 | BT-0500300-E0 | OIL TUBE | ウレタン チューブ D=3 X 5 | 0.68 |
| 70 | BT-0500300-E0 | OIL TUBE | ウレタン チューブ D=3 X 5 | 0.13 |
| 71 | 107-73000 | FELT | 還流フェルト | 1 |
| 72 | BT-0800602-E0 | URETHANE TUBE 6X8 TRANSPARENT | ウレタンチューブ 6 X 8 透明 | 0.4 |
| 73 | RO-0681901-00 | RUBBER RING | O リング | 1 |
| 74 | SM-9081050-SE | SCREW | 六角ボルト | 1 |
| 75 | WP-0841601-SC | WASHER 8.4X17.4X1.6 | 平座金みがき丸 M8 | 1 |
| 76 | EA-9500802-00 | CABLE BAND 150 | 結束バンド 150 | 2 |
| 77 | SQ-1680701-MZ | CONNECTING SCREW | チューブ連結ねじ | 1 |
| 78 | 107-46907 | SPRING | パイプ保護ばね | 1 |
| 79 | 101-23701 | PRESSER SPRING | 糸締め戻しばね | 1 |
| 80 | EA-9500800-00 | CLIP CV-70S | 結束バンド 60 | 1 |

20.6RANG SWITCH COMPONENTS

6連スイッチ関係



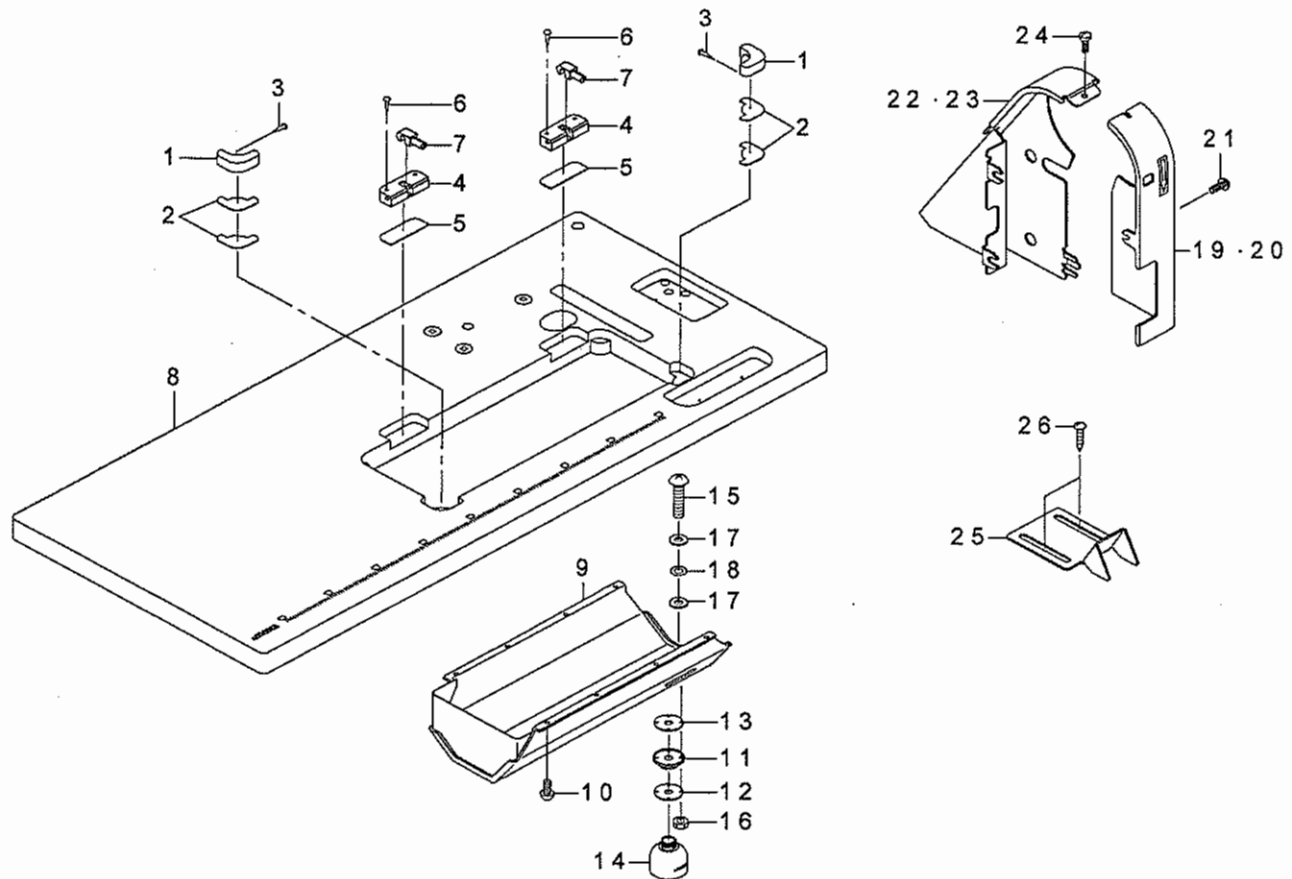
| REF.NO | NOTE | PART NO | DESCRIPTION | 品名 | Qty |
|--------|------|---------------|--------------------|------------------|-----|
| 1 | | SS-7120640-SP | SCREW 3/16-28 L=6 | 丸平ねじ 3/16-28 L=6 | 2 |
| 2 | | 400-64611 | 6RANG SWITCH ASM. | 6連スイッチ (組) | 1 |
| 3 | | 400-58057 | CABLE_COVER | コードカバー | 1 |
| 4 | | SS-6121010-SP | SCREW 3/16-28 L=10 | 平ねじ 3/16-28 L=10 | 2 |



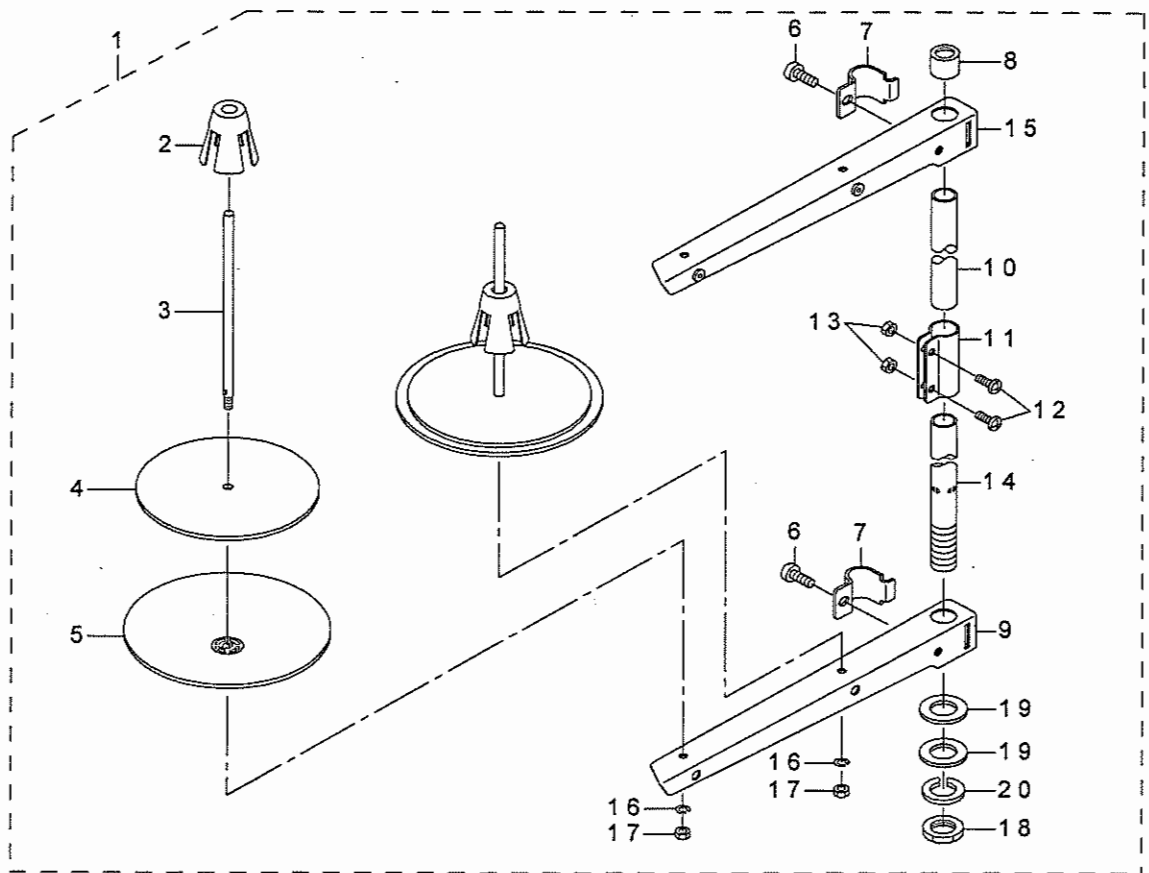
| REF.NO | NOTE | PART NO | DESCRIPTION | 品名 | Qty |
|--------|------|---------------|--------------------------------|-----------------------|-------|
| 1 | | 400-63828 | AIR APPARATUS (R) ASM. | エア装置 (R) 組 | 1 |
| 2 | | 400-63827 | ELECTROMAGNETIC VALVE (R) ASM. | 電磁弁 (R) 組 | (1) |
| 3 | | 400-59559 | ELECTROMAGNETIC VALVE (R) | 電磁弁 (R) | (1) |
| 4 | | GAK-29010000 | ELBOW B | クイック継手 B (エルボ) | (1) |
| 5 | | HK-0346101-00 | 10P CONNECTOR | ハウジング 10P | (1) |
| 6 | | 400-64517 | CONNECTOR | ハウジング 14P 青 | (1) |
| 7 | | HK-0346400-0A | TERMINAL, FEMALE | メスターミナル | (18) |
| 8 | | GAK-A1503000 | INSULATION TUBE | 絶縁チューブ | (0.2) |
| 9 | | GAK-A1503000 | INSULATION TUBE | 絶縁チューブ | (0.2) |
| 10 | | BT-0600401-EB | TUBE | チューブ | (1.3) |
| 11 | | BT-0600401-EB | TUBE | チューブ | (1.3) |
| 12 | | BT-0600401-EB | TUBE | チューブ | (1.3) |
| 13 | | BT-0600401-EB | TUBE | チューブ | (1.3) |
| 14 | | BT-0600401-EB | TUBE | チューブ | (1.3) |
| 15 | | BT-0600401-EB | TUBE | チューブ | (1.3) |
| 16 | | BT-0400251-EB | URETHANE HOSE, BLACK | ウレタンホース 黒 | (1.2) |
| 17 | | BT-0200121-EB | URETHANE TUBE BLACK 2X1.2 | ポリウレタン チューブ 黒 2 X 1.2 | (0.4) |
| 18 | | HX-0029500-00 | WIRE MARK(1) | ワイヤーマーク (1) | (3) |
| 19 | | HX-0029500-0A | WIRE MARK(2) | ワイヤーマーク (2) | (3) |
| 20 | | HX-0029500-0B | WIRE MARK(3) | ワイヤーマーク (3) | (1) |
| 21 | | HX-0029500-0C | WIRE MARK(4) | ワイヤーマーク (4) | (1) |
| 22 | | HX-0029500-0D | WIRE MARK(5) | ワイヤーマーク (5) | (4) |
| 23 | | HX-0029500-0F | WIRE MARK (7) | ワイヤーマーク (7) | (3) |
| 24 | | HX-0029500-0G | WIRE MARK(8) | ワイヤーマーク [8] | (3) |
| 25 | | HX-0029500-0H | WIRE MARK(9) | ワイヤーマーク [9] | (1) |
| 26 | | HX-0029500-0K | WIRE MARK(B) | ワイヤーマーク [B] | (3) |
| 27 | | HX-0029500-0L | WIRE MARK(C) | ワイヤーマーク [C] | (3) |
| 28 | | PJ-3030400-06 | JOINT | 異型ストレート | (1) |
| 29 | | SK-3415001-SE | SCREW D=4.1 L=50 | 丸木ねじ D=4.1 L=50 | 4 |
| 30 | | 400-38722 | FILTER REGULATAR ASM. | フィルタレギュレータ (組) | 1 |
| 31 | | PF-0552170-A0 | FILTER REGULATOR | フィルタレギュレータ | (1) |
| 32 | | BT-0600401-EB | TUBE | チューブ | (1) |
| 33 | | 400-38723 | FILTER REGULATOR MOUNTING PLAT | フィルタレギュレータ取付け板 | (1) |
| 34 | | GAK-29011000 | NIPPLE | エア継手 | (1) |
| 35 | | GAK-29009000 | ELBOW | クイック継手 A (エルボ) | (1) |
| 36 | | SM-4061001-SB | SCREW M6 L=10 | なべ小ねじ M6 L=10 | (2) |
| 37 | | SK-3482501-SE | WOOD SCREW D=4.8 L=25 | 丸木ねじ D=4.8 L=25 | 2 |

22. TABLE & BELT COVER COMPONENTS

テーブル・ベルトカバー関係



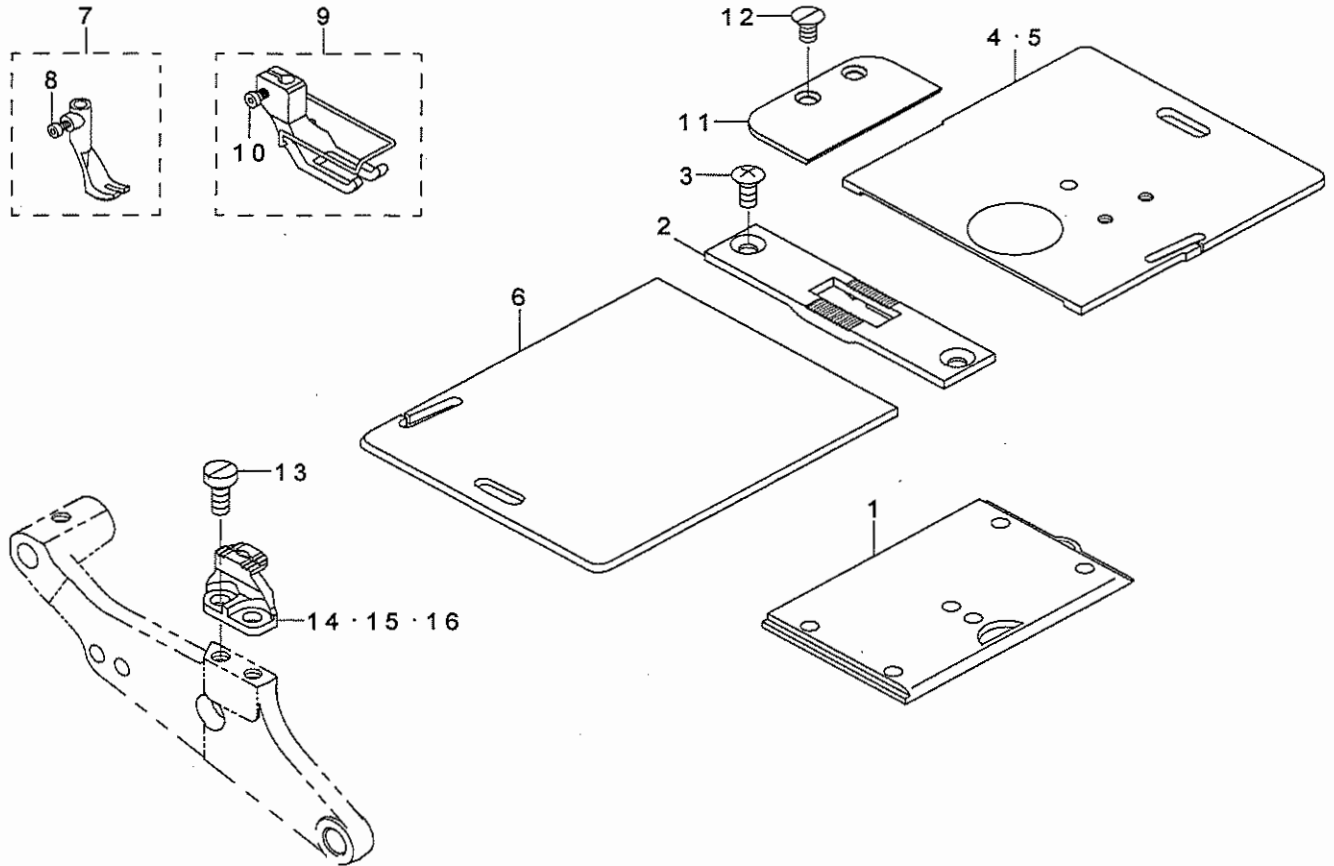
| REF.NO | NOTE | PART NO | DESCRIPTION | 品名 | Qty |
|--------|------|---------------|-------------------------------|---------------------|-----|
| 1 | | 107-42302 | HEAD SUPPORT RUBBER | 頭部支えゴム | 2 |
| 2 | | 107-40900 | RUBBER | 防振ゴム | 4 |
| 3 | | 105-39906 | SET NAIL | 止め釘 | 4 |
| 4 | | 107-34853 | HINGE ASM. | ヒンジ座 (組) | 2 |
| 5 | | 107-42005 | SPACER | スペーサーゴム | 2 |
| 6 | | 105-39906 | SET NAIL | 止め釘 | 4 |
| 7 | | B8213-012-000 | BED HINGE CONNECTION | ヒンジ軸 | 2 |
| 8 | | 107-35306 | TABLE | テーブル | 1 |
| 9 | | 107-72952 | OIL RESERVOIR ASM. | 油受け (組) | 1 |
| 10 | | SK-3241601-SC | WOOD SCREW D=2.4 L=16 | 丸木ねじ D=2.4 L=16 | 8 |
| 11 | | 400-25299 | OIL POT JOINT | 油抜き | 1 |
| 12 | | 213-79003 | OIL MANAGEMENT WASHER | 油抜き座金 | 1 |
| 13 | | B8112-220-000 | OIL SEAL | 油抜きオイルシール | 1 |
| 14 | | 400-25300 | OIL POT | 油びん | 1 |
| 15 | | SM-3031401-SE | SCREW M3X0.5 L=14 | 丸小ねじ M3 X 0.5 L=14 | 4 |
| 16 | | NM-6030001-SC | NUT M3 | 六角ナット M3 X 0.5 1種 | 4 |
| 17 | | 107-48101 | OIL REMOVING SETSCREW PACKING | 油抜き止めねじパッキン | 8 |
| 18 | | WP-0320501-SC | WASHER M3 | 平座金 3.2 X 7 X 0.5 | 4 |
| 19 | | 107-43656 | BELT COVER, LEFT | ベルトカバー (左) ラベル付き | 1 |
| 20 | #01 | 107-55155 | BELT COVER, LEFT (JE) | ベルトカバー-左 (JE) ラベル付き | 1 |
| 21 | | SS-5150510-SP | SCREW 15/64-28 L=5 | トラスねじ 15/64-28 L=5 | 3 |
| 22 | | 400-59694 | BELT COVER | ベルトカバー (右) | 1 |
| 23 | #01 | 400-59695 | BELT COVER | ベルトカバー (右) JE仕様 | 1 |
| 24 | | SS-7110510-SP | SCREW 11/64-40 L=5 | 丸平ねじ 11/64-40 L=5 | 1 |
| 25 | #01 | 107-55205 | BELT COVER C (JE) | ベルトカバー C (JE仕様) | 1 |
| 26 | #01 | SK-3482500-SC | WOOD SCREW D=4.8 L=25 | 丸木ねじ D=4.8 L=25 | 2 |
| | | NOTE(注記) | #01....FOR JE | JE用 | |



| REF.NO | NOTE | PART NO | DESCRIPTION | 品名 | Qty |
|--------|------|---------------|---------------------------|------------------------|-----|
| 1 | | 229-30358 | THREAD STAND ASM. | 糸立て装置 (組) | 1 |
| 2 | | 229-31109 | SPOOL RETAINER | 糸巻き振れ止め | (2) |
| 3 | | 229-31000 | SPOOL PIN | 糸巻き受け棒 | (2) |
| 4 | | 229-30903 | SPOOL REST CUSHION | 糸巻き受け皿クッション | (2) |
| 5 | | 229-30804 | SPOOL REST | 糸巻き受け皿 | (2) |
| 6 | | SM-6061610-SC | SCREW M6 L=16 | 平小ねじ M6 L=16 | (2) |
| 7 | | 229-30705 | THREAD GUIDE ARM JOINT | 糸立て棒締め金具 | (2) |
| 8 | | 229-31406 | SPOOL REST ROD RUBBER CAP | 糸立て棒保護ゴム | (1) |
| 9 | | 229-30507 | SPOOL REST ARM | 糸立て棒腕 | (1) |
| 10 | | 229-30408 | SPOOL REST ROD, UPPER | 糸立て棒 (上) | (1) |
| 11 | | 229-31307 | SPOOL REST ROD JOINT | 糸立て棒継手 | (1) |
| 12 | | SM-4051405-SE | SCREW M5 L=14 | なべ小ねじ M5 L=14 | (2) |
| 13 | | NM-6050001-SE | NUT M5 | 六角ナット M5 | (2) |
| 14 | | 229-30309 | SPOOL REST ROD, LOWER | 糸立て棒 (下) | (1) |
| 15 | | 229-30556 | THREAD STANDING ARM ASM. | 糸立て棒 (組) | (1) |
| 16 | | WS-0510002-KN | SPRING WASHER | ばね座金 5.1 X 9.2 X 1.3 | (2) |
| 17 | | NM-6050001-SE | NUT M5 | 六角ナット M5 | (2) |
| 18 | | NM-6160511-SE | NUT M16X1.5 | 六角ナット M16X1.5 1種 | (1) |
| 19 | | WP-1612616-SE | WASHER 16X30X2.6 | 平座金 | (2) |
| 20 | | WS-1643202-KR | SPRING WASHER | ばね座金 16.4 X 26.6 X 3.2 | (1) |

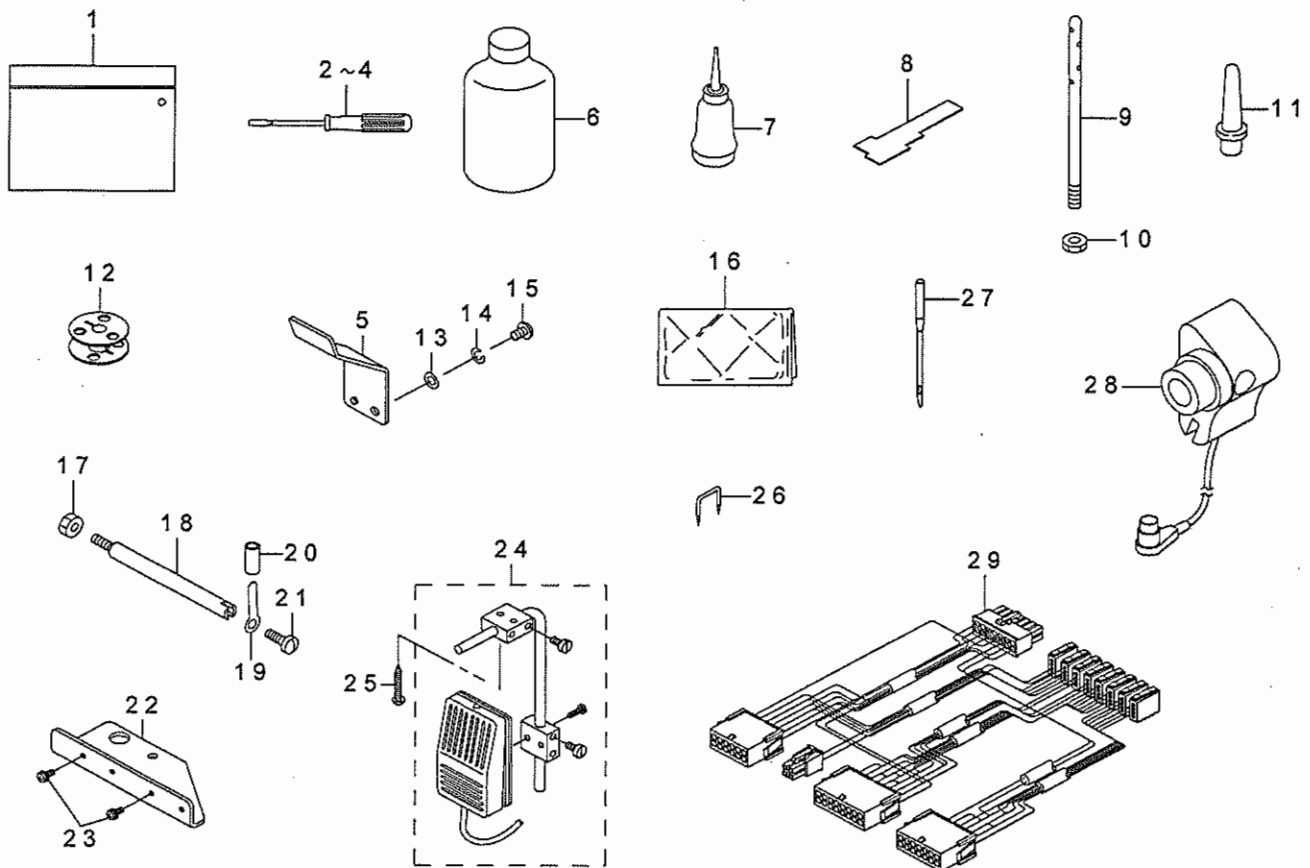
24.GAUGE COMPONENTS

ゲージ関係



| REF.NO | NOTE | PART NO | DESCRIPTION | 品名 | Qty |
|--------|------|---------------|--------------------------|---------------------|-----|
| 1 | | 107-01654 | SLIDE PLATE ASM. | 滑り板組 | 1 |
| 2 | | 400-58071 | THROAT_PLATE | 針板 | 1 |
| 3 | | SS-2110915-SP | SCREW 11/64-40 L=8.5 | 丸皿ねじ 11/64-40 L=8.5 | 2 |
| 4 | | 107-53150 | SLIDER PLATE ASM., RIGHT | 糸切り滑り板 (右) 窓付き組 | 1 |
| 5 | #02 | 107-01803 | SLIDE PLATE ,RIGHT | 糸切り滑り板 (右) | 1 |
| 6 | | 107-01902 | SLIDE PLATE ,LEFT | 糸切り滑り板 (左) | 1 |
| 7 | | 107-11653 | FEED FOOT ASM. | 送り足 (組) | 1 |
| 8 | | SM-6040552-TP | SCREW M4 L=4.5 | 六角穴ボルト M4 L=4.5 | (1) |
| 9 | | 107-12552 | PRESSER FOOT ASM. | 押え足組 | 1 |
| 10 | | SM-6040802-TP | SCREW M4X0.7 L=8 | 六角穴ボルト | (1) |
| 11 | | 400-58049 | AUXILIARY_COVER | 補助カバー | 1 |
| 12 | | SM-1040750-TP | SCREW M4 L=7 | 皿小ねじ M4 L=7 | 2 |
| 13 | | SS-6111010-TP | SCREW 11/64-40 L=9.5 | 平ねじ 11/64-40 L=9.5 | 2 |
| 14 | #01 | 400-64353 | FEED_DOG | 送り歯 (細糸用) | 1 |
| 15 | | 400-58070 | FEED_DOG | 送り歯 | 1 |
| 16 | #01 | 400-62827 | FEED_DOG | 送り歯 (太糸用) | 1 |
| | | NOTE(注記) | #01.....OPTIONAL PARTS | オプション部品 | |
| | | | #02.....FOR JE | JE用 | |

付属品関係



| REF.NO | NOTE | PART NO | DESCRIPTION | 品名 | Qty |
|--------|------|---------------|---|--------------------------|------|
| 1 | | B9101-552-000 | ACCESSORY BOX | 付属品箱 | 1 |
| 2 | #01 | 229-33006 | SCREW DRIVER, LARGE | ドライバー (大) | 1 |
| 3 | | B9110-012-000 | SCREW DRIVER, MIDDLE | ドライバー (中) | 1 |
| 4 | | B9111-012-000 | SCREW DRIVER, SMALL | ドライバー (小) | 1 |
| 5 | | 400-52256 | PANEL THREAD GUIDE | パネル糸案内 | 1 |
| 6 | | MDF-RX1600C0 | DEFRIX OIL NO.1(600CC) | デフレックスオイル NO. 1 (600 CC) | 1 |
| 7 | | B9121-012-0A0 | OILER ASM. | 油差し組 | 1 |
| 8 | | 400-63937 | ADJUST_GAGE | 調節用ゲージ | 1 |
| 9 | | 400-52262 | THREAD GUIDE PIN | 糸案内棒 | 1 |
| 10 | | NS-6620310-SP | NUT 3/16-32 | 六角ナット 3/16-32 | 1 |
| 11 | | 110-73103 | RUBBER CUSHION | 頭部支え棒 | 1 |
| 12 | ☆ | 107-59603 | ALUMINUM BOBBIN (DOUBLE-CUT) | アルミボビン (ローレット付き) | 1 |
| 13 | | SM-4040601-SC | SCREW M4X0.7 L=6 | なべ小ねじ M4 X 0.7 L=6 | 1 |
| 14 | | WP-0430800-SC | WASHER M4 | 平座金小形丸 M4 | 1 |
| 15 | | WS-0410002-KN | SPRING WASHER | ばね座金 M4 | 1 |
| 16 | | 229-33303 | HEAD COVER | 頭部カバー | 1 |
| 17 | | NS-6150430-SP | NUT 15/64-28 | 六角ナット 15/64-28 | 1 |
| 18 | | D7101-245-E00 | SYNCHRONIZER HOLDER STUD | 検出器支え軸 | 1 |
| 19 | | D7102-245-E00 | SYNCHRONIZER HOLDER PLATE | 検出器支え板 | 1 |
| 20 | | BT-0630520-Z0 | HOLDER COVER | 絶縁チューブ | 0.02 |
| 21 | | SS-7110710-SP | SCREW 11/64-40 L=7 | 丸平ねじ 11/64-40 L=7 | 1 |
| 22 | | 107-74701 | PANEL FIXED SUPPORT PLATE | パネル取付け補助板 | 1 |
| 23 | | SL-4041081-SC | SCREW M4 L=10 | 座金付きなべ小ねじ M4 L=10 | 2 |
| 24 | #02 | 400-25036 | KNEE SWITCH ASM. | 押え上げ膝スイッチ (組) | 1 |
| 25 | #02 | SK-3514000-SC | WOOD SCREW D=5.1 L=40 | 丸木ねじ D=5.1 L=40 | 2 |
| 26 | #02 | MA-0115320-00 | STAPLE | ステップル | 2 |
| 27 | | MC-3210014-02 | NEEDLE 134-35 #140-2 | 針 134-35 #140-2 | 1 |
| 28 | | 400-26920 | SYNCHRONIZER ASM | シンクロ組 | 1 |
| 29 | | 400-64512 | RELAY CORD F ASM. | 中継コード F (組) | 1 |
| | | NOTE(注記) | #01.....EXCEPT JA #02.....FOR DLKNEE SWITCH TYPE | JA 向けは除く DL 膝スイッチ仕様用 | |

26. TABLE OF EXCHANGING GAUGE PARTS (1)

交換ゲージ部品一覧表 (1)

| Walking foot 上送り足 | | | | | | | | | | | | | | | |
|----------------------|---------|-----------|----------------|---------|-----------|---------|-----------|---------|-----------|---------|-----------|---------|-----------|---------|-----------|
| | | Ref. No | Part No. | Ref. No | Part No. | Ref. No | Part No. | Ref. No | Part No. | Ref. No | Part No. | Ref. No | Part No. | Ref. No | Part No. |
| Presser foot 押え足 | | 1 | 107-11653 | 2 | 107-11762 | 3 | 107-11851 | 4 | 107-11950 | 5 | 107-46354 | 9 | 107-46352 | 13 | 107-12364 |
| | | | | | | | | | | 8 | 107-46453 | 10 | 107-48451 | | |
| | | | | | | | | | | 7 | 107-45552 | 11 | 107-46550 | | |
| | | | | | | | | | | 6 | 107-46551 | 12 | 107-46559 | | |
| | Ref. No | Part No. | | | | | | | | | | | | | |
| | 15 | 107-12552 | Standard 標準 | — | — | — | — | — | — | — | — | — | — | ○ | — |
| | 16 | 107-58458 | *02 | — | — | — | — | — | — | — | — | — | — | ○ | — |
| | 17 | 107-12651 | *03 | — | — | — | — | — | — | — | — | — | — | ○ | — |
| | 18 | 107-12750 | *04 | *05 | — | — | — | — | — | — | — | — | — | — | — |

*01... With out groove

溝無しタイプ

To be used when the thread cannot be grasped at the sewing start.

縫い始めに糸が絡みにくい時に使用

*02... For overlapped sections of material.

段部用

Common type for overlapped sections and flat sections,

Intermediate type between 10712552 and 10712651.

段部用・平部でも使用できる両用タイプ, 10712552と10712651の中間タイプ

*03... For overlapped sections of material.

段部用

To be used when overlapped sections cannot be smoothly fed.

段部での乗り越えが悪い時に使用

*04... For light-weight sponge.

薄いスポンジ用

To be used for resilient materials such as sponge.

スポンジ等の弾力性の有る素材に使用

*05... For heavy-weight sponge.

厚いスポンジ用















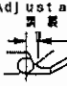

To be used for further resilient materials.

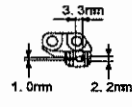
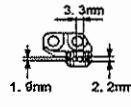
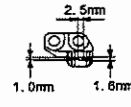
より弾力性の有る素材に使用


| | | | | |
|----|-----------|--------------------------------|---------------------|---|
| 1 | 107-11653 | FEED FOOT ASM. | 送り足 (組) | 1 |
| 2 | 107-11752 | FEEDING FOOT (URETHANE) | 送り足ウレタン用 (組) | 1 |
| 3 | 107-11851 | FEEDING FOOT ASM. RIGHT | 送り足右片押え用 (組) | 1 |
| 4 | 107-11950 | FEEDING FOOT ASM.,LEFT | 送り足左片押え用 (組) | 1 |
| 5 | 107-45354 | FEEDING FOOT (PIPING) 3MM | 送り足パイピング用 3ミリ (組) | 1 |
| 6 | 107-45453 | FEEDING FOOT (PIPING) 4MM | 送り足パイピング用 4ミリ (組) | 1 |
| 7 | 107-45552 | FEEDING FOOT (PIPING) 5MM | 送り足パイピング用 5ミリ (組) | 1 |
| 8 | 107-45651 | FEEDING FOOT (PIPING) 6MM | 送り足パイピング用 6ミリ (組) | 1 |
| 9 | 107-46352 | FEEDING FOOT (PIPING) 3MM ADJU | 送り足可変パイピング用 3ミリ (組) | 1 |
| 10 | 107-46451 | FEEDING FOOT (PIPING) 4MM ADJU | 送り足可変パイピング用 4ミリ (組) | 1 |
| 11 | 107-46550 | FEEDING FOOT (PIPING) 5MM ADJU | 送り足可変パイピング用 5ミリ (組) | 1 |
| 12 | 107-46659 | FEEDING FOOT (PIPING) 6MM ADJU | 送り足可変パイピング用 6ミリ (組) | 1 |
| 13 | 107-12354 | FEED FOOT ASM. | 送り足 (溝無し) 組 | 1 |
| 14 | 107-12057 | FEED FOOT ASM. | 送り足 (幅広) 組 | 1 |
| 15 | 107-12552 | PRESSER FOOT ASM. | 送り足 (組) | 1 |
| 16 | 107-58456 | PRESSER FOOT ASM. | 送り足 (押え面積小) 組 | 1 |
| 17 | 107-12651 | PRESSER FOOT ASM | 送り足段部用 (組) | 1 |
| 18 | 107-12750 | PRESSER FOOT, URETHANE | 送り足ウレタン用 (組) | 1 |

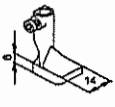
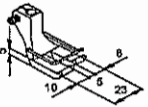
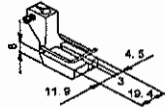
27. TABLE OF EXCHANGING GAUGE PARTS (2)

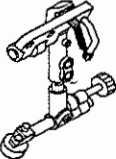
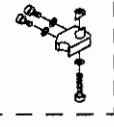
交換ゲージ部品一覧表 (2)

| Walking foot 送り足 |  | |  | |  | |  | |  | |  | |  | |  | |
|---|---|-----------|---|-----------|---|-----------|---|-----------|--|-----------|---|-----------|---|-----------|---|-----------|
| | Ref. No | Part No. | Ref. No | Part No. | Ref. No | Part No. | Ref. No | Part No. | Ref. No | Part No. | Ref. No | Part No. | Ref. No | Part No. | Ref. No | Part No. |
| Presser foot 押え足 | 1 | 107-11853 | 2 | 107-11752 | 3 | 107-11851 | 4 | 107-11850 | 5 | 107-48354 | 6 | 107-48353 | 7 | 107-48352 | 8 | 107-48351 |
| | | | | | | | | | 9 | 107-48350 | 10 | 107-48349 | 11 | 107-48348 | 12 | 107-48347 |
| | | | | | | | | | 13 | 107-12354 | 14 | 107-12057 | | | | |
| | | | | | | | | | | | | | | | | |
|  | 15 | 107-12858 | — | — |  | *02 | — | — | — | — | — | — | — | — | — | — |
|  | 18 | 107-12958 | — | — | — | — |  | *03 | — | — | — | — | — | — | — | — |
|  | 17 | 107-47350 | — | — | — | — | — | — |  | *04 |  | *05 | — | — | — | — |
| | 18 | 107-47459 | — | — | — | — | — | — | — | — | — | — | — | — | — | — |
| | 19 | 107-47558 | — | — | — | — | — | — | — | — | — | — | — | — | — | — |
| | 20 | 107-47657 | — | — | — | — | — | — | — | — | — | — | — | — | — | — |
|  | 21 | 107-13055 | — | — | — | — | — | — | — | — | — | — | — | — | — | *06 |

| Feed dog 送り歯 | | | |
|---|---|---|--|
|  |  |  | |
| Standard 標準 | For bold thread 太糸用 | For fine thread 細糸用 | |
| Ref. No 22 | Ref. No 23 | Ref. No 24 | |
| Part No. 400-58070 | Part No. 400-62827 | Part No. 400-64353 | |

| Throat plate 針板 | |
|--|--|
|  | |
| Standard 標準 | |
| Ref. No 25 | |
| Part No. 400-58071 | |

| For machining 加工用 | | |
|---|---|---|
|  |  |  |
| To be machined to a walking foot. 送り足加工用 | Type B to be machined to a walking foot. 送り足加工用B | Type A to be machined to a walking foot. 送り足加工用A |
| Ref. No 26 | Ref. No 27 | Ref. No 28 |
| Part No. 107-12255 | Part No. 107-48358 | Part No. 107-13253 |

| Swing edge guide 吊り定規 | |
|--|---|
|  |  |
| Ref. No 29 | Ref. No 30 |
| Part No. MAH-152010A0 | Part No. 107-35868 |

- *01... Without groove.
溝無しタイプ
To be used when the thread cannot be grasped at the sewing start.
縫い始めに糸が絡みにくい時に使用
- *02... Right-edge presser.
右片押え
To be used to sew edges of material.
エッジを縫製する場合に使用
- *03... Left-edge presser.
左片押え
To be used to sew edges of material.
エッジを縫製する場合に使用
- *04... For piping.
パイピング用
To be used for general piping processes.
一般のパイピング工程に使用
- *05... For piping.
パイピング用
Permits adjustment of the needle position with respect to the pipe.
パイプに対する針の位置が調整出来ます。
- *06... Wide type.
幅広タイプ
To be used when a sewing product cannot be smoothly fed.
縫製物の送りが悪い場合に使用

| | | | | |
|----|--------------|--------------------------------|---------------------|---|
| 1 | 107-11653 | FEED FOOT ASM. | 押え足 (組) | 1 |
| 2 | 107-11752 | FEEDING FOOT (URETHANE) | 送り足ウレタン用 (組) | 1 |
| 3 | 107-11851 | FEEDING FOOT ASM. RIGHT | 送り足右片押え用 (組) | 1 |
| 4 | 107-11950 | FEEDING FOOT ASM.,LEFT | 送り足左片押え用 (組) | 1 |
| 5 | 107-45354 | FEEDING FOOT (PIPING) 3MM | 送り足パイピング用 3ミリ (組) | 1 |
| 6 | 107-45453 | FEEDING FOOT (PIPING) 4MM | 送り足パイピング用 4ミリ (組) | 1 |
| 7 | 107-45552 | FEEDING FOOT (PIPING) 5MM | 送り足パイピング用 5ミリ (組) | 1 |
| 8 | 107-45651 | FEEDING FOOT (PIPING) 6MM | 送り足パイピング用 6ミリ (組) | 1 |
| 9 | 107-46352 | FEEDING FOOT (PIPING) 3MM ADJU | 送り足可変パイピング用 3ミリ (組) | 1 |
| 10 | 107-46451 | FEEDING FOOT (PIPING) 4MM ADJU | 送り足可変パイピング用 4ミリ (組) | 1 |
| 11 | 107-46550 | FEEDING FOOT (PIPING) 5MM ADJU | 送り足可変パイピング用 5ミリ (組) | 1 |
| 12 | 107-46659 | FEEDING FOOT (PIPING) 6MM ADJU | 送り足可変パイピング用 6ミリ (組) | 1 |
| 13 | 107-12354 | FEED FOOT ASM. | 送り足 (溝無し) 組 | 1 |
| 14 | 107-12057 | FEED FOOT ASM. | 送り足 (幅広組) | 1 |
| 15 | 107-12859 | FEEDING FOOT, RIGHT | 押え足右片押え用 (組) | 1 |
| 16 | 107-12958 | PRESSER FOOT,LEFT | 押え足左片押え用 (組) | 1 |
| 17 | 107-47350 | PRESSER FOOT (PIPING) 3MM | 押え足 3ミリパイピング用 | 1 |
| 18 | 107-47459 | PRESSER FOOT (PIPING) 4MM | 押え足 4ミリパイピング用 | 1 |
| 19 | 107-47558 | PRESSER FOOT (PIPING) 5MM | 押え足 5ミリパイピング用 | 1 |
| 20 | 107-47657 | PIPING FOOT 6MM | 押え足 6ミリパイピング用 | 1 |
| 21 | 107-13055 | FEED FOOT ASM. | 押え足 (幅広組) | 1 |
| 22 | 400-58070 | FEED_DOG | 送り歯 | 1 |
| 23 | 400-62827 | FEED_DOG | 送り歯 (太糸用) | 1 |
| 24 | 400-64353 | FEED_DOG | 送り歯 (細糸用) | 1 |
| 25 | 400-58071 | THROAT_PLATE | 針板 | 1 |
| 26 | 107-12255 | FEED FOOT ASM. | 送り足 (加工用 A) 組 | 1 |
| 27 | 107-48358 | PRESSER FOOT ASM. | 押え足 (加工用 B) 組 | 1 |
| 28 | 107-13253 | PRESSER FOOT ASM. | 押え足 (加工用 A) 組 | 1 |
| 29 | MAH-152010A0 | RULER | 吊り定規 (組) | 1 |
| 30 | 107-35868 | FIXING BASE ASM. | 吊り定規取付台 (組) | 1 |

NUMERICAL INDEX OF PARTS

索引

| PART NO 品番 | PAGE 頁 | REF NO | PART NO 品番 | PAGE 頁 | REF NO | PART NO 品番 | PAGE 頁 | REF NO | PART NO 品番 | PAGE 頁 | REF NO |
|---------------|-----------|-----------|-----------------|-----------|-----------|---------------|-----------|-----------|---------------|-----------|-----------|
| BP-6000000-00 | 23 | 15 | CQ-2020000-00 | 8 | 60 | NM-6030001-SC | 33 | 16 | SB-1150009-00 | 18 | 12 |
| BT-0200121-EB | 32 | 17 | CQ-2020000-00 | 8 | 61 | NM-6040001-SD | 16 | 18 | SD-0470281-SP | 21 | 19 |
| BT-0400251-EA | 30 | 55 | CQ-2020000-00 | 8 | 72 | NM-6040001-SN | 4 | 44 | SD-0550212-TP | 26 | 23 |
| BT-0400251-EB | 14 | 23 | CQ-2020000-00 | 12 | 40 | NM-6040003-SC | 21 | 23 | SD-0640322-TP | 4 | 62 |
| BT-0400251-EB | 14 | 26 | CQ-2020000-00 | 12 | 41 | NM-6050001-SE | 34 | 13 | SD-0700332-SP | 23 | 20 |
| BT-0400251-EB | 32 | 16 | CQ-2020000-00 | 12 | 42 | NM-6050001-SE | 34 | 17 | SD-0720331-SP | 24 | 36 |
| BT-0500300-E0 | 30 | 5 | CQ-2020000-00 | 30 | 56 | NM-6050001-SP | 14 | 7 | SD-0790203-SP | 24 | 2 |
| BT-0500300-E0 | 30 | 13 | CQ-2020000-00 | 30 | 67 | NM-6060001-SD | 14 | 8 | SD-0791271-SP | 25 | 12 |
| BT-0500300-E0 | 30 | 15 | CQ-2520000-00 | 8 | 71 | NM-6060001-SE | 25 | 15 | SD-0791271-SP | 28 | 13 |
| BT-0500300-E0 | 30 | 27 | CQ-2520000-00 | 8 | 73 | NM-6080001-SE | 24 | 37 | SD-0800346-TP | 28 | 1 |
| BT-0500300-E0 | 30 | 40 | CQ-2520000-00 | 8 | 74 | NM-6080001-SE | 28 | 16 | SD-0800352-SP | 25 | 25 |
| BT-0500300-E0 | 30 | 46 | CQ-2520000-00 | 8 | 75 | NM-6160511-SE | 34 | 18 | SD-0800352-SP | 25 | 26 |
| BT-0500300-E0 | 30 | 69 | CQ-2520000-00 | 8 | 76 | NS-6110310-SP | 21 | 18 | SD-0800352-SP | 28 | 3 |
| BT-0500300-E0 | 30 | 70 | CQ-2520000-00 | 8 | 77 | NS-6110310-SP | 22 | 31 | SD-0800402-TP | 28 | 10 |
| BT-0600401-EB | 26 | 14 | CQ-2520000-00 | 30 | 48 | NS-6110360-SP | 22 | 12 | SD-0800426-TP | 14 | 12 |
| BT-0600401-EB | 32 | 10 | CS-0800816-SH | 16 | 8 | NS-6150430-SP | 23 | 16 | SD-0901201-TP | 24 | 8 |
| BT-0600401-EB | 32 | 11 | CS-1201011-SH | 10 | 22 | NS-6150430-SP | 25 | 13 | SK-3241601-SC | 33 | 10 |
| BT-0600401-EB | 32 | 12 | CS-1201011-SH | 24 | 25 | NS-6150430-SP | 28 | 11 | SK-3415001-SE | 32 | 29 |
| BT-0600401-EB | 32 | 13 | CS-1501011-TH | 8 | 2 | NS-6150430-SP | 28 | 14 | SK-3482500-SC | 33 | 26 |
| BT-0600401-EB | 32 | 14 | CS-1501011-TH | 8 | 46 | NS-6150430-SP | 36 | 17 | SK-3482501-SE | 32 | 37 |
| BT-0600401-EB | 32 | 15 | CS-1501011-TH | 12 | 37 | NS-6150540-SP | 25 | 3 | SK-3514000-SC | 36 | 25 |
| BT-0600401-EB | 32 | 32 | | | | NS-6150540-SP | 28 | 4 | SL-4041081-SC | 36 | 23 |
| BT-0600402-EA | 10 | 21 | D2430-555-B00 | 22 | 15 | NS-6620310-SP | 36 | 10 | SM-1030601-SC | 20 | 7 |
| BT-0600402-EA | 30 | 3 | D2611-555-B00-A | 30 | 52 | | | | SM-1030601-SC | 20 | 9 |
| BT-0600402-EA | 30 | 24 | D3168-555-H0B | 21 | 15 | PA-0800401-A0 | 20 | 3 | SM-1040750-TP | 35 | 12 |
| BT-0600402-EA | 30 | 47 | D3168-555-H0B | 22 | 33 | PA-2001507-A0 | 14 | 2 | SM-1040801-SC | 6 | 21 |
| BT-0600402-EA | 30 | 53 | D7101-245-E00 | 36 | 18 | PA-2502006-00 | 26 | 1 | SM-3030650-SC | 4 | 21 |
| BT-0630520-Z0 | 36 | 20 | D7102-245-E00 | 36 | 19 | PA-3201004-00 | 25 | 18 | SM-3031401-SE | 33 | 15 |
| BT-0800602-E0 | 30 | 17 | | | | PA-3202002-00 | 28 | 19 | SM-4030601-SC | 18 | 31 |
| BT-0800602-E0 | 30 | 22 | EA-9500B00-00 | 30 | 21 | PA-4002003-00 | 24 | 32 | SM-4040601-SC | 30 | 63 |
| BT-0800602-E0 | 30 | 72 | EA-9500B00-00 | 30 | 80 | PC-015118E-00 | 25 | 20 | SM-4040601-SC | 36 | 13 |
| B1111-563-000 | 2 | 30 | EA-9500B01-00 | 30 | 54 | PC-015118H-00 | 25 | 1 | SM-4051405-SE | 34 | 12 |
| B1114-280-000 | 10 | 39 | EA-9500B02-00 | 25 | 27 | PF-0552170-A0 | 32 | 31 | SM-4061001-SB | 32 | 36 |
| B1148-141-H00 | 10 | 32 | EA-9500B02-00 | 30 | 76 | PJ-3010651-04 | 24 | 33 | SM-6020452-TP | 20 | 12 |
| B1148-141-H00 | 10 | 52 | | | | PJ-3030400-06 | 32 | 28 | SM-6021000-TP | 30 | 37 |
| B1150-490-000 | 2 | 32 | GAK-A1503000 | 32 | 8 | PJ-3040203-02 | 20 | 22 | SM-6030800-SP | 16 | 2 |
| B1215-804-000 | 18 | 8 | GAK-A1503000 | 32 | 9 | PJ-3040405-04 | 14 | 15 | SM-6030802-TP | 14 | 21 |
| B1308-055-000 | 4 | 58 | GAK-29009000 | 32 | 35 | PJ-3040605-01 | 26 | 2 | SM-6040502-TP | 14 | 14 |
| B1309-055-000 | 4 | 60 | GAK-29010000 | 32 | 4 | PJ-3040651-02 | 28 | 21 | SM-6040552-TP | 35 | 8 |
| B1310-055-000 | 4 | 59 | GAK-29011000 | 32 | 34 | PS-0200102-KH | 22 | 17 | SM-6040802-TP | 14 | 11 |
| B1314-055-000 | 4 | 61 | | | | PS-0300082-KH | 23 | 7 | SM-6040802-TP | 14 | 19 |
| B1504-210-000 | 26 | 13 | HK-0346101-00 | 32 | 5 | PS-0400322-KP | 10 | 17 | SM-6040802-TP | 16 | 38 |
| B1526-527-00G | 8 | 58 | HK-0346101-20 | 26 | 28 | PS-0500302-KH | 24 | 28 | SM-6040802-TP | 18 | 37 |
| B1648-122-000 | 30 | 57 | HK-0346400-0A | 32 | 7 | PX-0151010-00 | 28 | 22 | SM-6040802-TP | 35 | 10 |
| B3031-141-H00 | 26 | 10 | HK-0346400-0B | 24 | 6 | PX-0505010-00 | 26 | 3 | SM-6041012-TP | 6 | 17 |
| B3126-352-000 | 21 | 12 | HX-0012300-0A | 14 | 20 | | | | SM-6041202-TP | 16 | 28 |
| B3129-012-A00 | 21 | 10 | HX-0015000-0J | 2 | 35 | RC-0560711-KP | 8 | 22 | SM-6041802-TP | 16 | 40 |
| B3138-512-000 | 2 | 24 | HX-0029500-0A | 28 | 18 | RC-0650811-KP | 12 | 13 | SM-6044500-SP | 26 | 4 |
| B3205-210-000 | 22 | 7 | HX-0029500-0A | 32 | 19 | RC-0650811-KP | 28 | 9 | SM-6050802-TP | 26 | 12 |
| B3207-210-000 | 22 | 16 | HX-0029500-0B | 14 | 16 | RC-0740811-KP | 8 | 67 | SM-6050802-TP | 30 | 51 |
| B3208-210-000 | 22 | 18 | HX-0029500-0B | 14 | 24 | RC-0740811-KP | 25 | 8 | SM-6051002-TP | 8 | 43 |
| B3211-210-000 | 22 | 10 | HX-0029500-0B | 32 | 20 | RC-1200001-KP | 23 | 3 | SM-6051402-TP | 8 | 55 |
| B3214-047-000 | 22 | 34 | HX-0029500-0C | 14 | 17 | RC-1200001-KP | 24 | 9 | SM-6051402-TP | 10 | 30 |
| B3216-047-000 | 21 | 14 | HX-0029500-0C | 14 | 25 | RE-0320000-K0 | 26 | 9 | SM-6051402-TP | 16 | 12 |
| B3216-047-000 | 22 | 32 | HX-0029500-0C | 32 | 21 | RE-0400000-K0 | 8 | 13 | SM-6051402-TP | 16 | 21 |
| B3416-552-000 | 8 | 63 | HX-0029500-0D | 20 | 23 | RE-0400000-K0 | 10 | 15 | SM-6051402-TP | 18 | 3 |
| B3510-019-000 | 2 | 45 | HX-0029500-0D | 32 | 22 | RE-0400000-K0 | 10 | 56 | SM-6051402-TP | 24 | 15 |
| B3520-245-000 | 30 | 16 | HX-0029500-0F | 24 | 16 | RE-0400000-K0 | 18 | 14 | SM-6051402-TP | 26 | 7 |
| B3521-245-000 | 30 | 14 | HX-0029500-0F | 32 | 23 | RE-0500000-K0 | 8 | 64 | SM-6061202-TP | 24 | 24 |
| B3525-357-000 | 30 | 42 | HX-0029500-0G | 24 | 38 | RE-0500000-K0 | 12 | 6 | SM-6061210-SC | 24 | 22 |
| B3534-012-000 | 30 | 43 | HX-0029500-0G | 32 | 24 | RE-0500000-K0 | 12 | 44 | SM-6061210-SC | 30 | 39 |
| B3538-112-000 | 28 | 24 | HX-0029500-0H | 26 | 27 | RE-0500000-K0 | 12 | 45 | SM-6061552-TP | 12 | 26 |
| B8112-220-000 | 33 | 13 | HX-0029500-0H | 32 | 25 | RE-0500000-K0 | 23 | 8 | SM-6061552-TP | 12 | 34 |
| B8213-012-000 | 33 | 7 | HX-0029500-0K | 25 | 23 | RE-0600000-K0 | 6 | 12 | SM-6061602-TP | 8 | 34 |
| B8228-125-000 | 30 | 9 | HX-0029500-0K | 32 | 26 | RO-0681901-00 | 30 | 73 | SM-6061602-TP | 14 | 3 |
| B8228-125-000 | 30 | 33 | HX-0029500-0L | 25 | 24 | RO-0982401-00 | 18 | 32 | SM-6061610-SC | 34 | 6 |
| B9101-552-000 | 36 | 1 | HX-0029500-0L | 32 | 27 | RO-1182401-00 | 10 | 20 | SM-6061650-TP | 12 | 3 |
| B9110-012-000 | 36 | 3 | HX-0029500-00 | 28 | 17 | RO-1182401-00 | 10 | 55 | SM-6061802-TP | 25 | 19 |
| B9111-012-000 | 36 | 4 | HX-0029500-00 | 32 | 18 | RO-2943101-00 | 4 | 34 | SM-6062002-TP | 16 | 31 |
| B9121-012-0A0 | 36 | 7 | | | | RO-3122401-00 | 4 | 50 | SM-6062002-TP | 18 | 51 |
| | | | MAH-152010A0 | 40 | 29 | RO-3573501-00 | 18 | 17 | SM-6062502-TP | 10 | 3 |
| CM-3012000-01 | 2 | 23 | MA-0115320-00 | 36 | 26 | | | | SM-6062502-TP | 28 | 20 |
| CQ-2020000-00 | 24 | 12 | MC-3210014-00 | 6 | 8 | SB-1100009-00 | 18 | 9 | SM-6081802-TP | 24 | 34 |
| CQ-2020000-00 | 6 | 23 | MC-3210014-02 | 36 | 27 | SB-1100010-00 | 18 | 10 | SM-6851000-TP | 20 | 4 |
| CQ-2020000-00 | 6 | 24 | MDF-RX160000 | 36 | 6 | SB-1150004-00 | 18 | 11 | SM-6030402-TP | 4 | 64 |

| PART NO 品番 | PAGE 頁 | REF NO | PART NO 品番 | PAGE 頁 | REF NO | PART NO 品番 | PAGE 頁 | REF NO | PART NO 品番 | PAGE 頁 | REF NO |
|---------------|-----------|-----------|---------------|-----------|-----------|---------------|-----------|-----------|---------------|-----------|-----------|
| SM-8030402-TP | 12 | 12 | SS-7090910-TP | 4 | 43 | WP-0651056-SH | 22 | 8 | 107-07750 | 4 | 41 |
| SM-8040412-TP | 16 | 6 | SS-7090910-TP | 24 | 18 | WP-0740516-SP | 12 | 14 | 107-07958 | 4 | 42 |
| SM-8040412-TP | 16 | 16 | SS-7110340-SP | 22 | 27 | WP-0841601-SC | 30 | 75 | 107-08006 | 4 | 45 |
| SM-8040412-TP | 25 | 10 | SS-7110510-SP | 2 | 31 | WP-1221016-SP | 24 | 10 | 107-08105 | 6 | 1 |
| SM-8040502-TP | 4 | 54 | SS-7110510-SP | 2 | 41 | WP-1612616-SE | 34 | 19 | 107-08204 | 6 | 2 |
| SM-8040602-TP | 22 | 2 | SS-7110510-SP | 26 | 8 | WS-0410002-KN | 26 | 15 | 107-08303 | 4 | 18 |
| SM-8040602-TP | 22 | 6 | SS-7110510-SP | 33 | 24 | WS-0410002-KN | 36 | 15 | 107-08469 | 6 | 4 |
| SM-8042012-TP | 16 | 17 | SS-7110710-SP | 36 | 21 | WS-0510002-KN | 34 | 16 | 107-08501 | 6 | 16 |
| SM-8050502-TP | 18 | 29 | SS-7110810-SP | 10 | 12 | WS-1643202-KR | 34 | 20 | 107-08808 | 6 | 5 |
| SM-8050502-TP | 18 | 40 | SS-7110810-SP | 22 | 9 | WT-0530002-KS | 2 | 48 | 107-08907 | 6 | 7 |
| SM-8050502-TP | 18 | 46 | SS-7110910-TP | 2 | 33 | | | | 107-08907 | 8 | 45 |
| SM-8050512-TP | 8 | 40 | SS-7110910-TP | 10 | 27 | 100-88003 | 22 | 30 | 107-08907 | 8 | 68 |
| SM-8050602-TP | 8 | 39 | SS-7110910-TP | 10 | 51 | 101-09809 | 8 | 62 | 107-09004 | 2 | 38 |
| SM-8050602-TP | 8 | 41 | SS-7110910-TP | 26 | 19 | 101-09809 | 18 | 20 | 107-09152 | 6 | 9 |
| SM-8050602-TP | 19 | 9 | SS-7110910-TP | 26 | 21 | 101-11201 | 18 | 13 | 107-09202 | 6 | 11 |
| SM-8050602-TP | 22 | 21 | SS-7110910-TP | 26 | 25 | 101-12506 | 18 | 21 | 107-09350 | 6 | 13 |
| SM-8060552-TP | 12 | 31 | SS-7111810-TP | 6 | 6 | 101-12605 | 18 | 18 | 107-09400 | 6 | 15 |
| SM-8060602-TP | 4 | 9 | SS-7120640-SP | 31 | 1 | 101-12704 | 18 | 19 | 107-09608 | 6 | 18 |
| SM-8060602-TP | 4 | 11 | SS-7120710-SP | 8 | 51 | 101-19907 | 10 | 38 | 107-09608 | 8 | 25 |
| SM-8060602-TP | 4 | 33 | SS-7121610-SP | 2 | 2 | 101-23701 | 30 | 79 | 107-09707 | 8 | 1 |
| SM-8060602-TP | 4 | 55 | SS-7121610-SP | 2 | 11 | 101-24204 | 22 | 35 | 107-09806 | 8 | 4 |
| SM-8060602-TP | 10 | 26 | SS-7121610-SP | 10 | 11 | 101-26803 | 30 | 12 | 107-09905 | 8 | 5 |
| SM-8061212-TP | 4 | 49 | SS-7121610-SP | 10 | 49 | 103-20109 | 21 | 3 | 107-09905 | 8 | 7 |
| SM-8080802-TP | 4 | 7 | SS-7620750-SP | 10 | 4 | 103-20208 | 21 | 5 | 107-10002 | 8 | 9 |
| SM-8080802-TP | 4 | 13 | SS-7621040-SP | 22 | 36 | 105-02300 | 22 | 22 | 107-10101 | 8 | 10 |
| SM-9040603-SP | 16 | 22 | SS-7681750-TP | 4 | 3 | 105-23702 | 4 | 39 | 107-10200 | 8 | 12 |
| SM-9081050-SE | 24 | 30 | SS-8080410-TP | 6 | 3 | 105-27901 | 30 | 66 | 107-10309 | 8 | 14 |
| SM-9081050-SE | 30 | 74 | SS-8080610-SP | 18 | 15 | 105-39906 | 33 | 3 | 107-10408 | 8 | 15 |
| SQ-0000401-MZ | 30 | 41 | SS-8090710-SP | 10 | 50 | 105-39906 | 307 | 6 | 107-10507 | 8 | 18 |
| SQ-1110401-MZ | 4 | 25 | SS-8110422-TP | 12 | 7 | 105-91709 | 4 | 56 | 107-10606 | 8 | 19 |
| SQ-1150451-MZ | 4 | 26 | SS-8110422-TP | 16 | 9 | 107-00508 | 2 | 37 | 107-10705 | 8 | 20 |
| SQ-1150451-MZ | 18 | 33 | SS-8111610-SP | 22 | 26 | 107-00706 | 2 | 9 | 107-10804 | 8 | 8 |
| SQ-1150451-MZ | 18 | 38 | SS-8120740-SP | 4 | 47 | 107-01209 | 2 | 16 | 107-10804 | 8 | 17 |
| SQ-1680701-MZ | 30 | 77 | SS-8120740-SP | 6 | 19 | 107-01308 | 2 | 17 | 107-10903 | 8 | 69 |
| SS-1110840-SP | 18 | 35 | SS-8120740-SP | 8 | 24 | 107-01654 | 35 | 1 | 107-10903 | 12 | 10 |
| SS-2090710-TP | 20 | 24 | SS-8120740-SP | 8 | 66 | 107-01803 | 35 | 5 | 107-10903 | 12 | 27 |
| SS-2110915-SP | 35 | 3 | SS-8120740-SP | 23 | 19 | 107-01902 | 35 | 6 | 107-10903 | 12 | 35 |
| SS-5060310-SP | 20 | 21 | SS-8150750-SP | 30 | 19 | 107-02108 | 30 | 45 | 107-11000 | 8 | 21 |
| SS-5060410-SP | 16 | 36 | SS-8150822-TP | 4 | 15 | 107-02207 | 30 | 65 | 107-11117 | 8 | 23 |
| SS-5090420-SP | 21 | 27 | SS-8660410-SP | 8 | 3 | 107-02405 | 21 | 7 | 107-11406 | 8 | 56 |
| SS-5150510-SP | 33 | 21 | SS-8660410-SP | 8 | 47 | 107-02553 | 21 | 2 | 107-11653 | 35 | 7 |
| SS-6060220-SP | 16 | 26 | SS-8660410-SP | 12 | 38 | 107-02561 | 21 | 1 | 107-11653 | 38 | 1 |
| SS-6080610-TP | 18 | 41 | SS-8660512-TP | 4 | 5 | 107-02603 | 21 | 4 | 107-11653 | 40 | 1 |
| SS-6081210-SP | 30 | 59 | SS-8660610-TP | 10 | 29 | 107-02702 | 21 | 21 | 107-11752 | 38 | 2 |
| SS-6090510-TP | 2 | 21 | SS-8660610-TP | 24 | 26 | 107-02801 | 21 | 22 | 107-11752 | 40 | 2 |
| SS-6090620-TP | 22 | 23 | SS-8660810-TP | 8 | 27 | 107-03106 | 21 | 26 | 107-11851 | 38 | 3 |
| SS-6110480-SP | 2 | 39 | SS-8661012-TP | 12 | 22 | 107-03205 | 21 | 24 | 107-11851 | 40 | 3 |
| SS-6110610-TP | 10 | 6 | SS-8681650-TP | 4 | 4 | 107-03304 | 21 | 17 | 107-11950 | 38 | 4 |
| SS-6110610-TP | 16 | 24 | | | | 107-03452 | 22 | 13 | 107-11950 | 40 | 4 |
| SS-6110630-TP | 8 | 53 | TA-0750704-R0 | 2 | 34 | 107-03502 | 22 | 1 | 107-12057 | 38 | 14 |
| SS-6111010-TP | 35 | 13 | TA-1050504-R0 | 2 | 19 | 107-03601 | 22 | 3 | 107-12057 | 40 | 14 |
| SS-6111140-SP | 2 | 49 | TA-1250406-R0 | 2 | 3 | 107-03700 | 22 | 4 | 107-12255 | 40 | 26 |
| SS-6111140-SP | 18 | 16 | TA-1250504-R0 | 2 | 36 | 107-03809 | 22 | 14 | 107-12354 | 38 | 13 |
| SS-6121010-SP | 2 | 5 | TA-1450404-R0 | 30 | 1 | 107-03908 | 22 | 5 | 107-12354 | 40 | 13 |
| SS-6121010-SP | 2 | 8 | TA-2050406-R0 | 2 | 6 | 107-04005 | 22 | 19 | 107-12552 | 35 | 9 |
| SS-6121010-SP | 2 | 14 | TA-2050406-R0 | 2 | 28 | 107-04104 | 22 | 29 | 107-12552 | 38 | 15 |
| SS-6121010-SP | 2 | 27 | | | | 107-04153 | 22 | 28 | 107-12651 | 38 | 17 |
| SS-6121010-SP | 8 | 49 | WP-0320501-SC | 21 | 25 | 107-04401 | 4 | 1 | 107-12750 | 38 | 18 |
| SS-6121010-SP | 21 | 28 | WP-0320501-SC | 30 | 60 | 107-04500 | 4 | 2 | 107-12859 | 40 | 15 |
| SS-6121010-SP | 24 | 4 | WP-0320501-SC | 33 | 18 | 107-04609 | 2 | 44 | 107-12958 | 40 | 16 |
| SS-6121010-SP | 30 | 26 | WP-0371016-SD | 14 | 22 | 107-04757 | 4 | 6 | 107-13055 | 40 | 21 |
| SS-6121010-SP | 31 | 4 | WP-0371016-SD | 24 | 19 | 107-04807 | 22 | 20 | 107-13253 | 40 | 28 |
| SS-6121050-SP | 8 | 16 | WP-0430800-SC | 36 | 14 | 107-04955 | 4 | 8 | 107-13501 | 8 | 65 |
| SS-6121860-SP | 10 | 28 | WP-0450000-SD | 6 | 22 | 107-04963 | 4 | 10 | 107-13766 | 8 | 26 |
| SS-6123010-SP | 2 | 12 | WP-0450801-SD | 14 | 18 | 107-05002 | 4 | 12 | 107-13808 | 8 | 31 |
| SS-6151412-TP | 12 | 9 | WP-0450846-SP | 26 | 16 | 107-05408 | 4 | 17 | 107-13907 | 8 | 33 |
| SS-6151440-SP | 6 | 14 | WP-0520656-SA | 22 | 25 | 107-05606 | 4 | 28 | 107-14004 | 8 | 35 |
| SS-6151440-SP | 25 | 5 | WP-0531001-SC | 22 | 24 | 107-05606 | 4 | 30 | 107-14103 | 8 | 36 |
| SS-6151440-SP | 25 | 17 | WP-0612056-SD | 14 | 9 | 107-05754 | 4 | 29 | 107-14202 | 8 | 37 |
| SS-6151440-SP | 28 | 6 | WP-0621016-SD | 25 | 22 | 107-06315 | 4 | 53 | 107-14301 | 8 | 44 |
| SS-6152440-SP | 6 | 10 | WP-0621016-SD | 28 | 25 | 107-06703 | 4 | 16 | 107-14400 | 8 | 42 |
| SS-6621220-SP | 4 | 19 | WP-0621016-SH | 18 | 52 | 107-07156 | 4 | 37 | 107-14509 | 8 | 30 |
| SS-7080510-TP | 8 | 6 | WP-0641601-SD | 25 | 21 | 107-07206 | 4 | 46 | 107-14608 | 8 | 32 |
| SS-7080510-TP | 8 | 11 | WP-0641601-SD | 28 | 23 | 107-07305 | 4 | 48 | 107-14806 | 8 | 48 |
| SS-7090520-TP | 2 | 25 | WP-0651056-SH | 18 | 50 | 107-07602 | 4 | 40 | 107-14905 | 8 | 50 |

NUMERICAL INDEX OF PARTS

索引

| PART NO 品番 | PAGE 頁 | REF NO | PART NO 品番 | PAGE 頁 | REF NO | PART NO 品番 | PAGE 頁 | REF NO | PART NO 品番 | PAGE 頁 | REF NO |
|---------------|-----------|-----------|---------------|-----------|-----------|---------------|-----------|-----------|---------------|-----------|-----------|
| 107-15001 | 8 | 52 | 107-27204 | 30 | 8 | 107-45552 | 40 | 7 | 213-37902 | 25 | 9 |
| 107-15258 | 8 | 54 | 107-27204 | 30 | 32 | 107-45651 | 38 | 8 | 213-79003 | 33 | 12 |
| 107-15506 | 23 | 9 | 107-27303 | 30 | 34 | 107-45651 | 40 | 8 | 214-39500 | 16 | 15 |
| 107-15605 | 23 | 14 | 107-28400 | 19 | 13 | 107-45800 | 2 | 40 | 214-40508 | 16 | 14 |
| 107-15704 | 8 | 57 | 107-28509 | 19 | 8 | 107-45909 | 4 | 20 | 226-03203 | 2 | 20 |
| 107-15902 | 23 | 12 | 107-28608 | 19 | 10 | 107-46352 | 38 | 9 | 226-83403 | 20 | 10 |
| 107-16009 | 23 | 2 | 107-28707 | 19 | 12 | 107-46352 | 40 | 9 | 229-01805 | 2 | 50 |
| 107-16108 | 23 | 17 | 107-28806 | 24 | 7 | 107-46451 | 38 | 10 | 229-07802 | 24 | 17 |
| 107-16207 | 23 | 18 | 107-28905 | 24 | 5 | 107-46451 | 40 | 10 | 229-08909 | 8 | 29 |
| 107-16504 | 8 | 59 | 107-29010 | 24 | 1 | 107-46550 | 38 | 11 | 229-30309 | 34 | 14 |
| 107-16603 | 23 | 21 | 107-29218 | 24 | 3 | 107-46550 | 40 | 11 | 229-30358 | 34 | 1 |
| 107-17007 | 23 | 11 | 107-29606 | 24 | 20 | 107-46659 | 38 | 12 | 229-30408 | 34 | 10 |
| 107-17056 | 23 | 4 | 107-29754 | 24 | 14 | 107-46659 | 40 | 12 | 229-30507 | 34 | 9 |
| 107-17668 | 12 | 2 | 107-29952 | 24 | 21 | 107-46709 | 12 | 5 | 229-30556 | 34 | 15 |
| 107-17809 | 12 | 4 | 107-30109 | 24 | 23 | 107-46907 | 30 | 78 | 229-30705 | 34 | 7 |
| 107-17908 | 12 | 15 | 107-30513 | 24 | 13 | 107-47111 | 30 | 29 | 229-30804 | 34 | 5 |
| 107-18005 | 12 | 24 | 107-30703 | 24 | 29 | 107-47350 | 40 | 17 | 229-30903 | 34 | 4 |
| 107-18005 | 12 | 36 | 107-31008 | 24 | 11 | 107-47459 | 40 | 18 | 229-31000 | 34 | 3 |
| 107-18153 | 12 | 25 | 107-31404 | 30 | 2 | 107-47558 | 40 | 19 | 229-31109 | 34 | 2 |
| 107-18153 | 12 | 33 | 107-31701 | 2 | 29 | 107-47657 | 40 | 20 | 229-31307 | 34 | 11 |
| 107-18203 | 12 | 16 | 107-32204 | 2 | 46 | 107-48002 | 4 | 57 | 229-31406 | 34 | 8 |
| 107-18302 | 23 | 13 | 107-32402 | 30 | 49 | 107-48101 | 33 | 17 | 229-33006 | 36 | 2 |
| 107-18351 | 23 | 6 | 107-32600 | 30 | 50 | 107-48358 | 40 | 27 | 229-33303 | 36 | 16 |
| 107-18401 | 10 | 31 | 107-32709 | 30 | 25 | 107-51303 | 8 | 38 | 229-51552 | 2 | 47 |
| 107-18401 | 10 | 53 | 107-33004 | 30 | 4 | 107-52202 | 19 | 4 | 260-17400 | 10 | 43 |
| 107-18500 | 12 | 43 | 107-33103 | 2 | 43 | 107-52301 | 19 | 5 | | | |
| 107-18658 | 12 | 8 | 107-33509 | 10 | 25 | 107-52418 | 19 | 14 | 400-11368 | 22 | 11 |
| 107-18906 | 12 | 11 | 107-33608 | 30 | 61 | 107-52467 | 19 | 3 | 400-24865 | 26 | 18 |
| 107-18906 | 28 | 8 | 107-33707 | 30 | 62 | 107-53002 | 30 | 11 | 400-25036 | 36 | 24 |
| 107-19052 | 12 | 18 | 107-33806 | 6 | 20 | 107-53002 | 30 | 36 | 400-25299 | 33 | 11 |
| 107-19201 | 12 | 20 | 107-34119 | 30 | 64 | 107-53150 | 35 | 4 | 400-25300 | 33 | 14 |
| 107-19300 | 12 | 23 | 107-34309 | 30 | 68 | 107-54802 | 4 | 38 | 400-25554 | 10 | 41 |
| 107-19508 | 12 | 28 | 107-34606 | 30 | 58 | 107-54901 | 2 | 42 | 400-25555 | 10 | 44 |
| 107-19656 | 12 | 21 | 107-34853 | 33 | 4 | 107-55155 | 33 | 20 | 400-25556 | 10 | 45 |
| 107-19664 | 12 | 19 | 107-35306 | 33 | 8 | 107-55205 | 33 | 25 | 400-25557 | 10 | 13 |
| 107-19706 | 12 | 46 | 107-35868 | 40 | 30 | 107-55403 | 30 | 38 | 400-25558 | 10 | 48 |
| 107-19805 | 12 | 47 | 107-35900 | 26 | 6 | 107-55502 | 24 | 27 | 400-25561 | 25 | 2 |
| 107-19953 | 12 | 30 | 107-35959 | 26 | 5 | 107-55601 | 18 | 6 | 400-25562 | 2 | 26 |
| 107-19961 | 12 | 29 | 107-36007 | 26 | 11 | 107-58456 | 38 | 16 | 400-26920 | 36 | 28 |
| 107-20001 | 12 | 32 | 107-36403 | 28 | 2 | 107-59603 | 19 | 21 | 400-27140 | 2 | 10 |
| 107-20209 | 10 | 1 | 107-36601 | 25 | 14 | 107-59603 | 36 | 12 | 400-27141 | 2 | 22 |
| 107-20357 | 10 | 2 | 107-36908 | 24 | 31 | 107-60304 | 30 | 20 | 400-27219 | 10 | 9 |
| 107-20407 | 10 | 7 | 107-37013 | 24 | 35 | 107-60502 | 30 | 28 | 400-27220 | 10 | 47 |
| 107-20506 | 10 | 10 | 107-37500 | 26 | 17 | 107-61203 | 19 | 17 | 400-27231 | 10 | 40 |
| 107-20605 | 10 | 18 | 107-37708 | 26 | 22 | 107-61252 | 19 | 1 | 400-31233 | 25 | 4 |
| 107-21009 | 10 | 19 | 107-37807 | 26 | 24 | 107-70402 | 18 | 22 | 400-31234 | 25 | 6 |
| 107-21009 | 10 | 54 | 107-38755 | 26 | 26 | 107-70501 | 18 | 43 | 400-31235 | 25 | 7 |
| 107-21306 | 10 | 16 | 107-39209 | 30 | 10 | 107-71251 | 4 | 36 | 400-33293 | 18 | 5 |
| 107-21900 | 10 | 35 | 107-39209 | 30 | 35 | 107-71269 | 4 | 35 | 400-35542 | 10 | 14 |
| 107-22007 | 10 | 23 | 107-39308 | 18 | 23 | 107-71301 | 30 | 23 | 400-38691 | 16 | 7 |
| 107-22353 | 18 | 26 | 107-39407 | 18 | 24 | 107-71509 | 30 | 18 | 400-38722 | 32 | 30 |
| 107-22403 | 18 | 1 | 107-39506 | 8 | 70 | 107-72952 | 33 | 9 | 400-38723 | 32 | 33 |
| 107-22601 | 19 | 11 | 107-40900 | 33 | 2 | 107-73000 | 30 | 71 | 400-52244 | 18 | 49 |
| 107-22809 | 19 | 2 | 107-41007 | 4 | 14 | 107-74305 | 8 | 28 | 400-52246 | 25 | 11 |
| 107-22908 | 19 | 18 | 107-41106 | 21 | 16 | 107-74701 | 36 | 22 | 400-52249 | 26 | 20 |
| 107-23013 | 19 | 6 | 107-41452 | 21 | 6 | 107-75302 | 18 | 36 | 400-52251 | 8 | 78 |
| 107-23104 | 19 | 15 | 107-41502 | 21 | 20 | 107-75500 | 4 | 27 | 400-52253 | 18 | 2 |
| 107-23203 | 19 | 7 | 107-41601 | 21 | 13 | 107-75609 | 4 | 52 | 400-52256 | 36 | 5 |
| 107-23302 | 19 | 19 | 107-42005 | 33 | 5 | 107-75658 | 4 | 51 | 400-52260 | 23 | 10 |
| 107-23401 | 19 | 20 | 107-42302 | 33 | 1 | 107-75807 | 28 | 5 | 400-52262 | 36 | 9 |
| 107-23500 | 19 | 16 | 107-42856 | 2 | 15 | 107-76656 | 4 | 32 | 400-52266 | 4 | 63 |
| 107-23708 | 18 | 27 | 107-43003 | 2 | 7 | 107-77308 | 2 | 18 | 400-52874 | 10 | 33 |
| 107-23807 | 18 | 28 | 107-43151 | 2 | 1 | 110-20401 | 4 | 22 | 400-58040 | 14 | 5 |
| 107-23906 | 18 | 30 | 107-43201 | 2 | 13 | 110-20500 | 4 | 24 | 400-58041 | 16 | 5 |
| 107-24201 | 18 | 34 | 107-43300 | 23 | 1 | 110-20609 | 4 | 23 | 400-58042 | 16 | 11 |
| 107-24706 | 18 | 47 | 107-43656 | 33 | 19 | 110-41407 | 10 | 42 | 400-58043 | 16 | 35 |
| 107-24805 | 18 | 39 | 107-44308 | 10 | 24 | 110-73103 | 36 | 11 | 400-58044 | 16 | 37 |
| 107-25158 | 18 | 42 | 107-44704 | 21 | 8 | 129-39708 | 20 | 15 | 400-58045 | 16 | 20 |
| 107-25307 | 10 | 8 | 107-44803 | 21 | 9 | 129-39807 | 20 | 16 | 400-58046 | 16 | 23 |
| 107-25604 | 18 | 44 | 107-44902 | 21 | 11 | 129-39906 | 20 | 17 | 400-58047 | 16 | 25 |
| 107-26107 | 18 | 7 | 107-45354 | 38 | 5 | 137-07500 | 12 | 39 | 400-58048 | 16 | 30 |
| 107-27105 | 30 | 7 | 107-45354 | 40 | 5 | 137-37804 | 10 | 46 | 400-58049 | 35 | 11 |
| 107-27105 | 30 | 31 | 107-45453 | 38 | 6 | 137-55202 | 10 | 36 | 400-58050 | 16 | 27 |
| 107-27154 | 30 | 6 | 107-45453 | 40 | 6 | | | | 400-58051 | 16 | 1 |
| 107-27162 | 30 | 30 | 107-45552 | 38 | 7 | 210-54903 | 30 | 44 | 400-58052 | 12 | 1 |

| PART NO 品番 | PAGE 頁 | REF NO | PART NO 品番 | PAGE 頁 | REF NO | PART NO 品番 | PAGE 頁 | REF NO | PART NO 品番 | PAGE 頁 | REF NO |
|---------------|-----------|-----------|---------------|-----------|-----------|---------------|-----------|-----------|---------------|-----------|-----------|
| 400-58053 | 28 | 12 | | | | | | | | | |
| 400-58054 | 10 | 34 | | | | | | | | | |
| 400-58055 | 28 | 7 | | | | | | | | | |
| 400-58056 | 25 | 16 | | | | | | | | | |
| 400-58057 | 31 | 3 | | | | | | | | | |
| 400-58058 | 16 | 3 | | | | | | | | | |
| 400-58059 | 16 | 32 | | | | | | | | | |
| 400-58062 | 14 | 10 | | | | | | | | | |
| 400-58063 | 14 | 13 | | | | | | | | | |
| 400-58064 | 14 | 4 | | | | | | | | | |
| 400-58065 | 20 | 11 | | | | | | | | | |
| 400-58066 | 20 | 2 | | | | | | | | | |
| 400-58067 | 20 | 5 | | | | | | | | | |
| 400-58068 | 20 | 6 | | | | | | | | | |
| 400-58069 | 20 | 8 | | | | | | | | | |
| 400-58070 | 35 | 15 | | | | | | | | | |
| 400-58070 | 40 | 22 | | | | | | | | | |
| 400-58071 | 35 | 2 | | | | | | | | | |
| 400-58071 | 40 | 25 | | | | | | | | | |
| 400-58134 | 14 | 6 | | | | | | | | | |
| 400-58135 | 16 | 4 | | | | | | | | | |
| 400-58136 | 16 | 33 | | | | | | | | | |
| 400-58137 | 16 | 39 | | | | | | | | | |
| 400-58142 | 18 | 25 | | | | | | | | | |
| 400-58143 | 28 | 15 | | | | | | | | | |
| 400-58144 | 10 | 5 | | | | | | | | | |
| 400-58145 | 10 | 37 | | | | | | | | | |
| 400-58148 | 16 | 13 | | | | | | | | | |
| 400-58149 | 16 | 10 | | | | | | | | | |
| 400-58150 | 16 | 19 | | | | | | | | | |
| 400-58151 | 16 | 34 | | | | | | | | | |
| 400-58152 | 14 | 1 | | | | | | | | | |
| 400-58153 | 12 | 17 | | | | | | | | | |
| 400-59035 | 18 | 4 | | | | | | | | | |
| 400-59049 | 16 | 29 | | | | | | | | | |
| 400-59559 | 32 | 3 | | | | | | | | | |
| 400-59694 | 33 | 22 | | | | | | | | | |
| 400-59695 | 33 | 23 | | | | | | | | | |
| 400-62425 | 20 | 1 | | | | | | | | | |
| 400-62426 | 20 | 13 | | | | | | | | | |
| 400-62427 | 20 | 14 | | | | | | | | | |
| 400-62428 | 20 | 19 | | | | | | | | | |
| 400-62429 | 20 | 20 | | | | | | | | | |
| 400-62438 | 20 | 18 | | | | | | | | | |
| 400-62827 | 35 | 16 | | | | | | | | | |
| 400-62827 | 40 | 23 | | | | | | | | | |
| 400-63827 | 32 | 2 | | | | | | | | | |
| 400-63828 | 32 | 1 | | | | | | | | | |
| 400-63937 | 36 | 8 | | | | | | | | | |
| 400-63991 | 18 | 45 | | | | | | | | | |
| 400-63992 | 18 | 48 | | | | | | | | | |
| 400-64213 | 16 | 41 | | | | | | | | | |
| 400-64238 | 2 | 4 | | | | | | | | | |
| 400-64240 | 23 | 5 | | | | | | | | | |
| 400-64353 | 35 | 14 | | | | | | | | | |
| 400-64353 | 40 | 24 | | | | | | | | | |
| 400-64512 | 36 | 29 | | | | | | | | | |
| 400-64517 | 32 | 6 | | | | | | | | | |
| 400-64519 | 4 | 31 | | | | | | | | | |
| 400-64611 | 31 | 2 | | | | | | | | | |

0

0

JUKI®

JUKI 株式会社

JUKI CORPORATION

お問い合わせ、ご相談は
To order or for further
information,
please contact