

ILLUSTRATED PARTSLIST

FOR

SINGER*

**UNDER BED THREAD
TRIMMER**

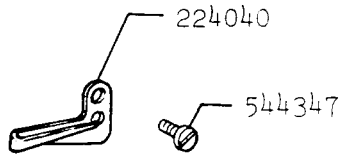
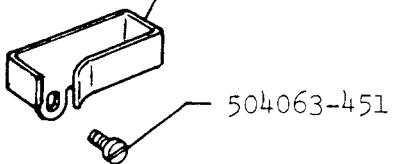
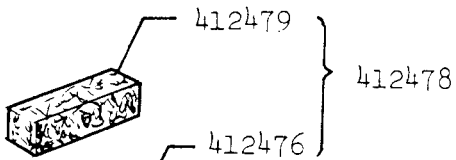
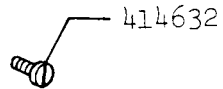
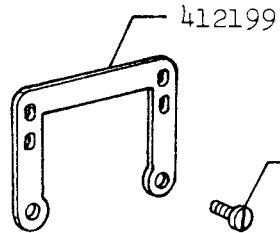
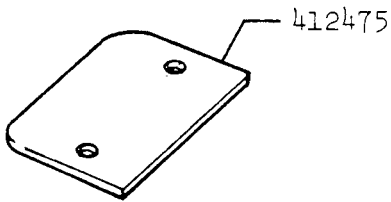
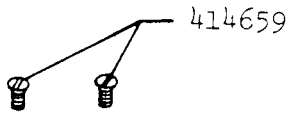
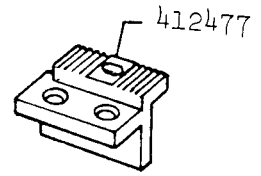
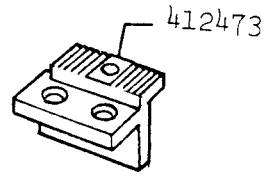
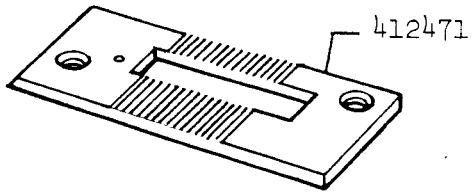
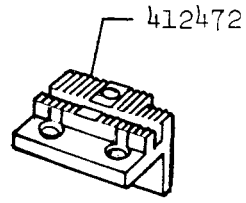
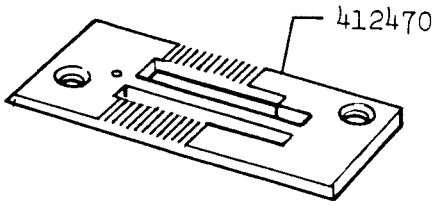
FOR 211U257A

211U365A

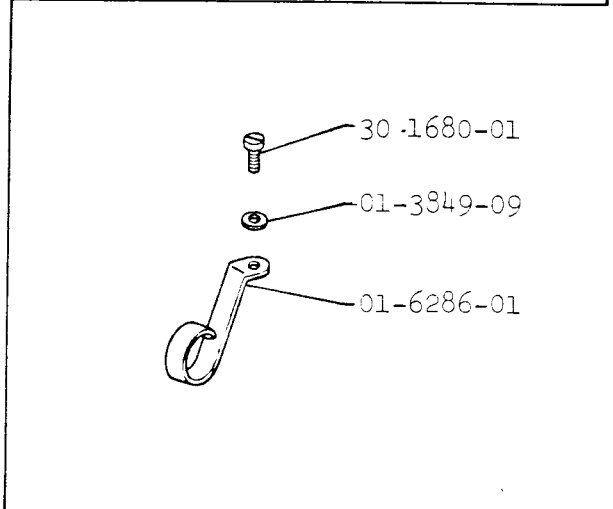
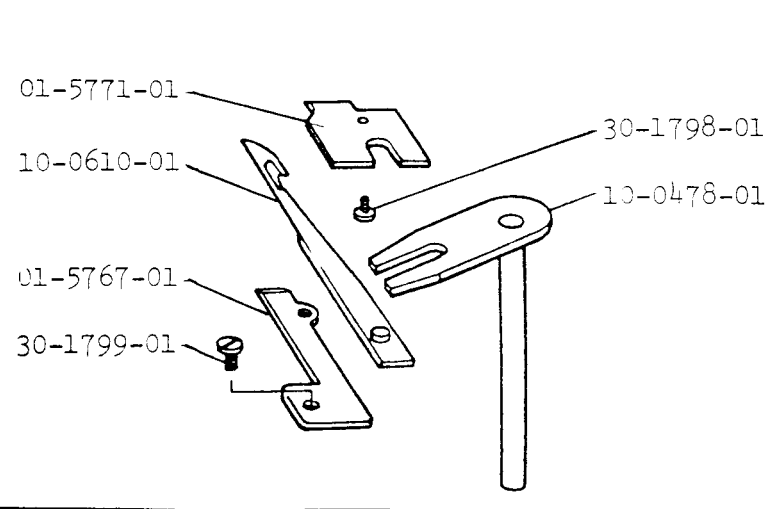
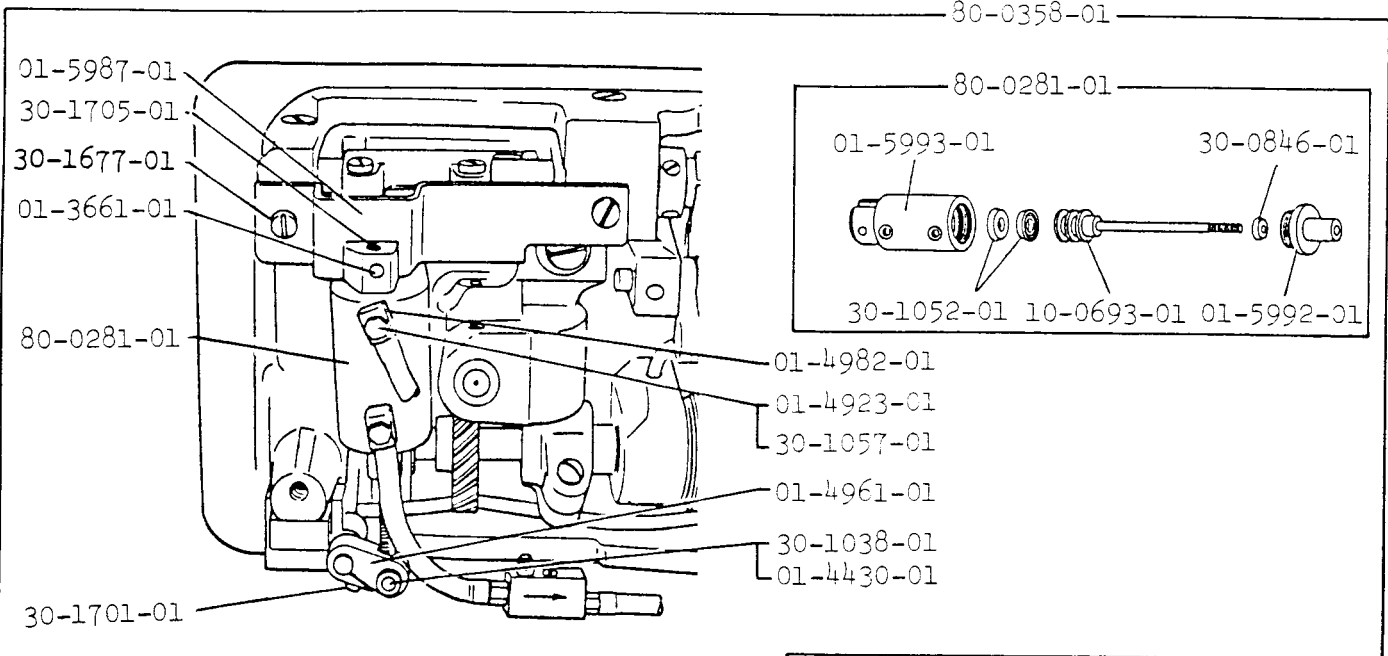
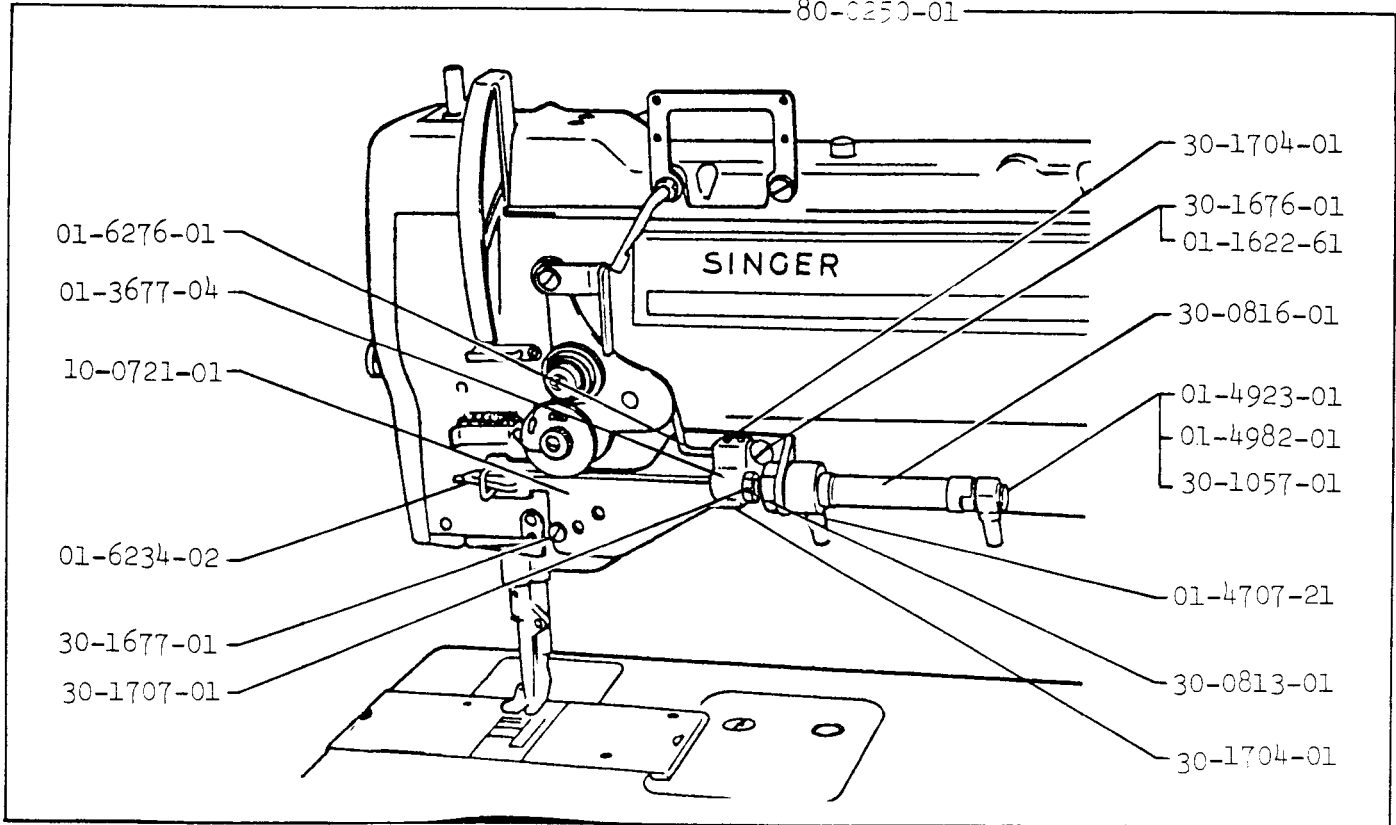
211U366A

211U867A

NOTE: When orderring parts for the following pages add prefix "810" in front of each number.
For parts on machine refer to ILLUSTRATED PARTS LIST, form U3374, U3375, U3376, and U3366

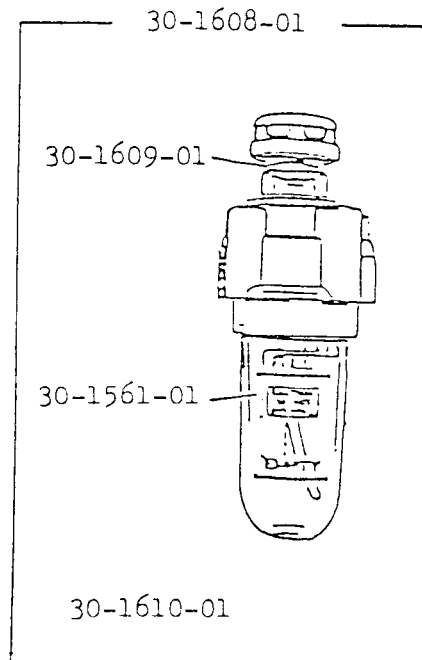
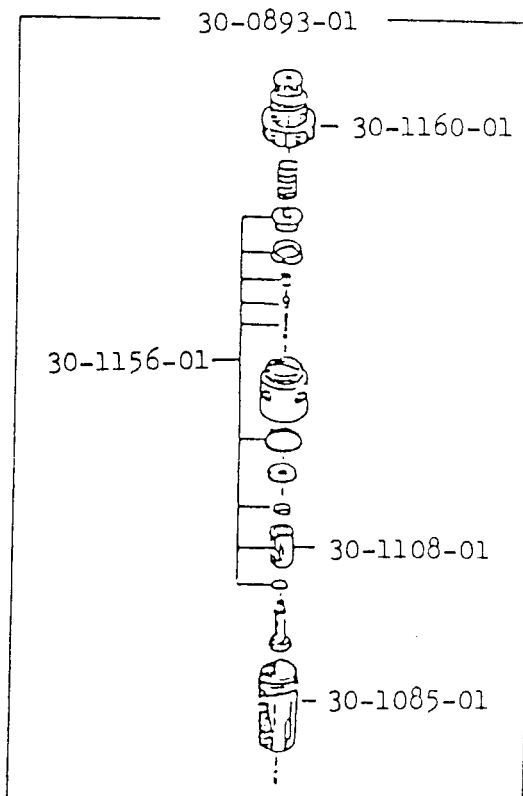
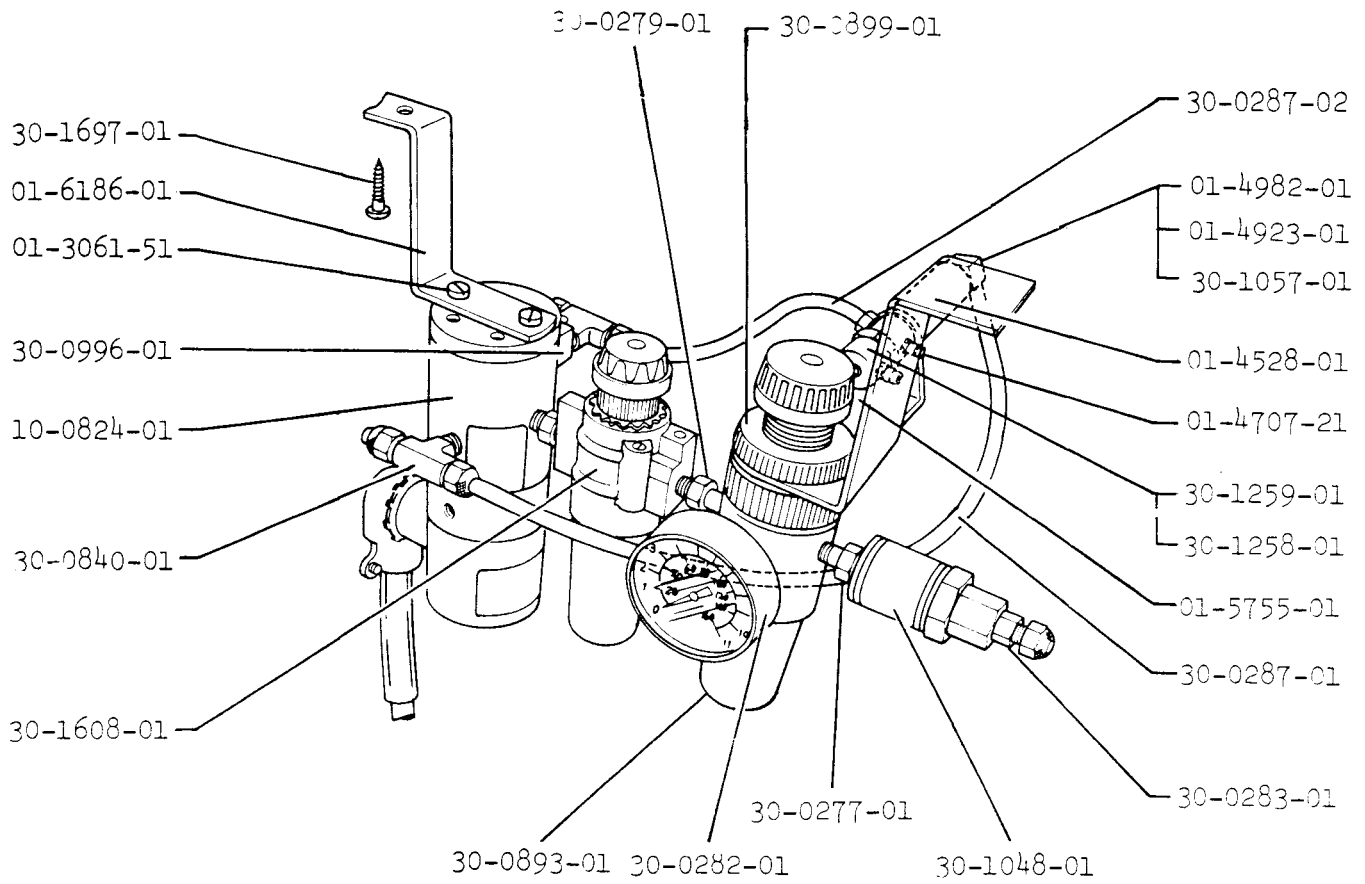


No.	211U257A1	A51	A61	211U365A1	A51	211U366A1	A51	211U867A1	A51	A61	Description
224040	*	*	*	*	*						Thread Guide (lower)
412199	*	*	*	*	*						Thread Guide
412470	*	-	-	-	-						Throat Plate
412471	-	*	*	*	*						Throat Plate
412472	*	-	-	-	-						Feed Dog
412473	-	*	*	*	*						Feed Dog
412475	*	*	*	*	*						Picker Cover
412476	*	*	*	*	*						Thread Lubricator Oil Pad Holder
412477	-	*	*	*	*						Feed Dog (optional)
412478	*	*	*	*	*						Thread Lubricator Oil Pad Holder Complete
412479	*	*	*	*	*						Thread Lubricator Oil Pad
414632	*	*	*	*	*						Thread Guide Screw
414659	*	*	*	*	*						Picker Cover Screw (2)
504063-451	*	*	*	*	*						Thread Lubricator Oil Pad Holder Screw
544347	*	*	*	*	*						Thread Guide (lower) Screw

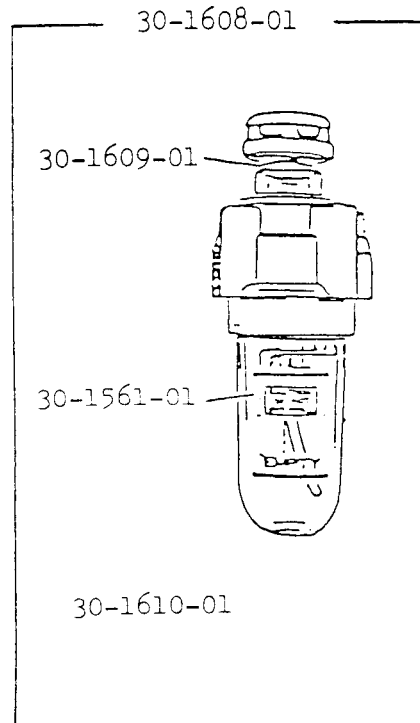
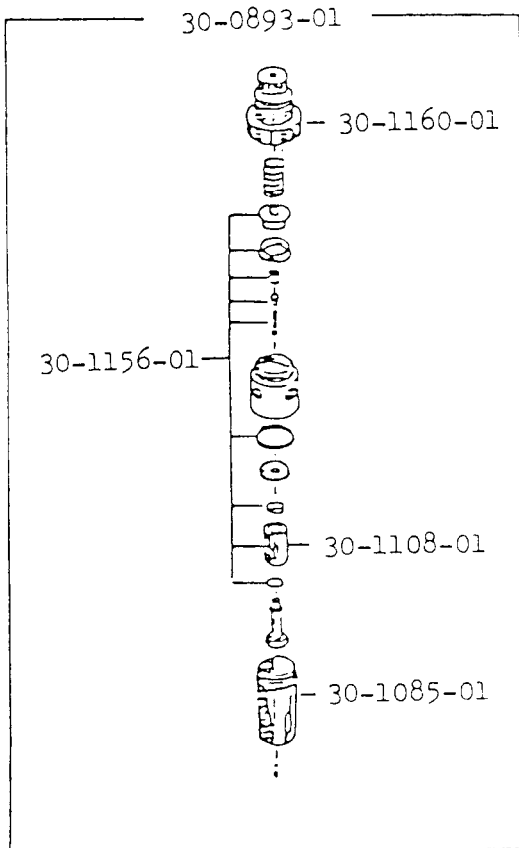
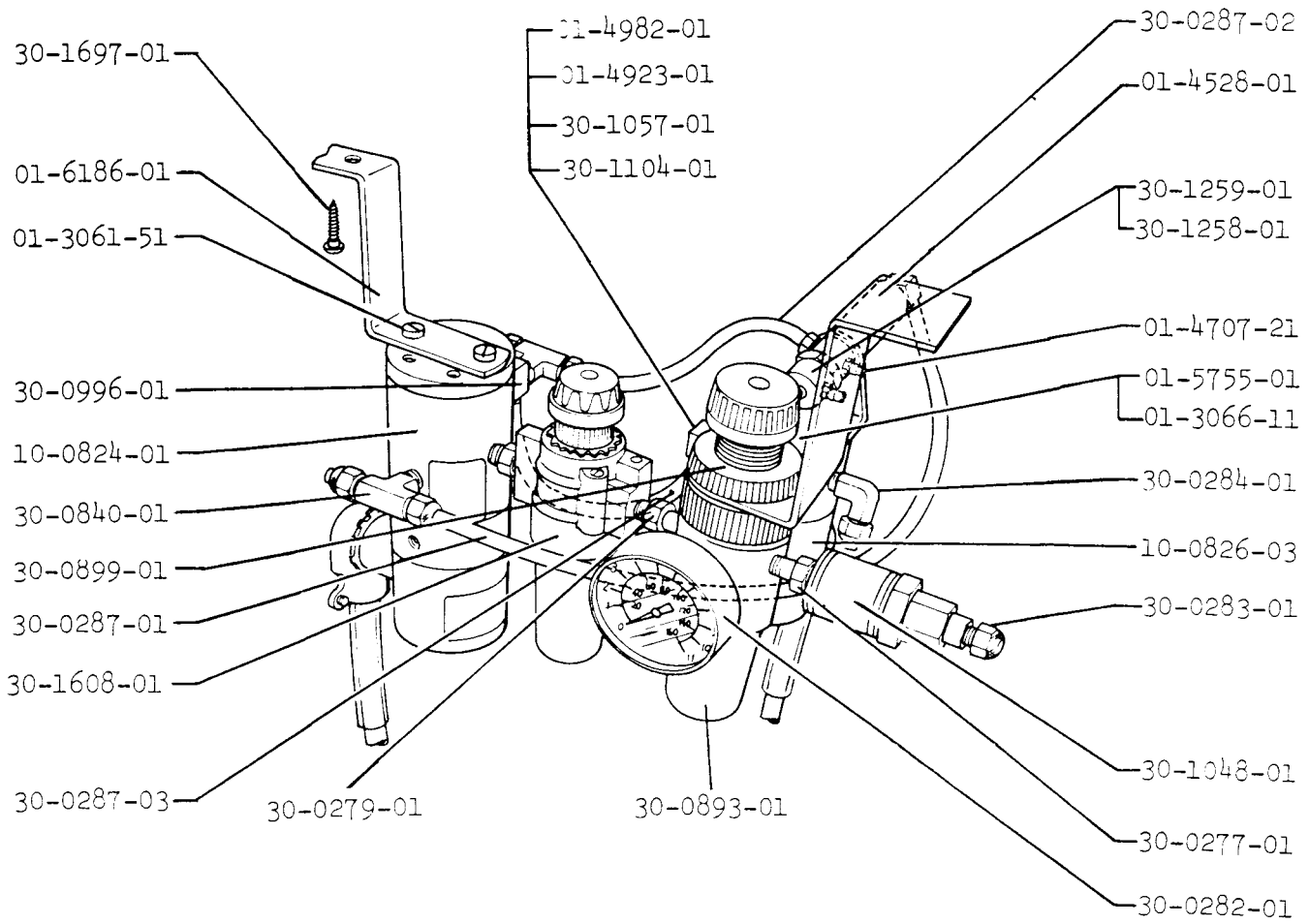


No.	2110257A61	2110365A61	2110366A61	2110867A61	2110257A51	2110366A51	2110867A51	2110257A61	2110366A61	2110867A61	Description
01-1622-61	*	*	*								Spacer - Thread Pull-off Cylinder Bracket
01-3661-01	*	*	*								Pin - Picker Cylinder Mount
01-3677-04	*	*	*								Block - Thread Pull-off
01-3849-09	*	*	*								Spacer - Polytubing Clamp
01-4430-01	*	*	*								Pin - Picker Drive Lever Arm Connecting
01-4707-21	*	*	*								Hose Fitting
01-4923-01	*	*	*								Screw - Universal Elbow
01-4923-01	*	*	*								Screw - Universal Elbow (2)
01-4961-01	*	*	*								Arm - Picker Drive Lever
01-4982-01	*	*	*								Elbow - Universal
01-4982-01	*	*	*								Elbow - Universal (2)
01-5767-01	*	*	*								Trapper
01-5771-01	*	*	*								Blade - Stationary
01-5987-01	*	*	*								Bracket - Picker Cylinder Mount
01-5992-01	*	*	*								Bearing - Picker Cylinder
01-5993-01	*	*	*								Body - Picker Cylinder
01-6234-02	*	*	*								Thread Pull-off
01-6276-01	*	*	*								Pin - Tension Release
01-6286-01	*	*	*								Clamp - Polytubing (Top)
10-0478-01	*	*	*								Picker Drive Lever
10-0610-01	*	*	*								Picker
10-0693-01	*	*	*								Piston and Shaft Assembly - Picker Cylinder
10-0721-01	*	*	*								Bracket - Thread Pull-off Cylinder
30-0813-01	*	*	*								"O" Ring - Cylinder Shaft (External)
30-0816-01	*	*	*								Air Cylinder - Thread Pull-off
30-0846-01	*	*	*								"U" Cup - Picker Cylinder Shaft
30-1038-01	*	*	*								Screw - Picker Drive Lever Arm Connecting Pin
30-1052-01	*	*	*								"U" Cup - Picker Cylinder Piston (2)
30-1057-01	*	*	*								Gasket - Air Fitting
30-1057-01	*	*	*								Gasket - Air Fitting (4)
30-1676-01	*	*	*								Screw - Thread Pull-off Cylinder Bracket
30-1677-01	*	*	*								Screw - Picker Cylinder Mounting Bracket (2)
30-1677-01	*	*	*								Screw - Thread Pull-off Cylinder Bracket
30-1680-01	*	*	*								Screw - Polytubing Clamp
30-1701-01	*	*	*								Screw - Picker Drive Lever Arm
30-1704-01	*	*	*								Screw - Thread Pull-off (2)
30-1704-01	*	*	*								Screw - Tension Release Pin (2)
30-1705-01	*	*	*								Screw - Picker Cylinder
30-1707-01	*	*	*								Nut - Thread Pull-off Cylinder Shaft
30-1798-01	*	*	*								Screw - Stationary Blade
30-1799-01	*	*	*								Screw - Trapper
80-0250-01	*	*	*								Tension Release and Pull-off Assembly 01-1622-61, 01-3677-04, 01-4707-21, 01-4923-01, 01-4982-01, 01-6234-02, 01-6276-01, 10-0721-01, 30-0813-01, 30-0816-01, 30-1057-01(2), 30-1676-01, 30-1677-01, 30-1704-01, 30-1707-01
80-0358-01	*	*	*								Lower Machine Assembly 01-3661-01, 01-3849-09, 01-4430-01, 01-4923-01(2), 01-4961-01, 01-4982-01(2), 01-5767-01, 01-5771-01, 01-5987-01, 01-6286-01, 10-0478-01, 10-0610-01, 30-1038-01, 30-1057-01(2), 30-1676-01(2), 30-1680-01, 30-1701-01, 30-1705-01, 30-1798-01, 30-1799-01, 80-0281-01
80-0281-01	*	*	*								Air Cylinder - Picker 01-5992-01, 01-5993-01, 10-0693-01, 30-0846-01, 30-1052-01

31-0463-01

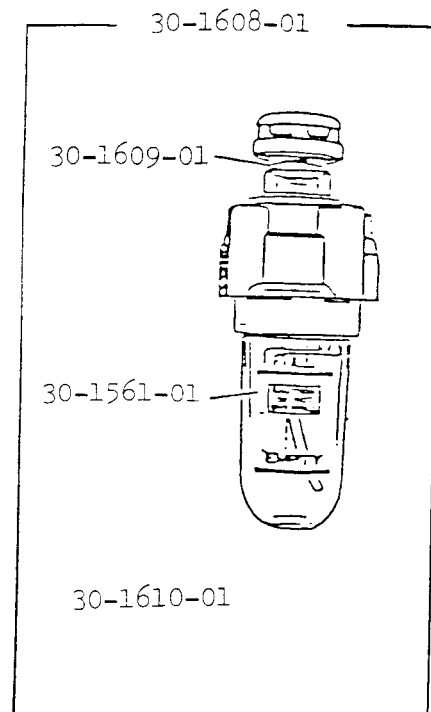
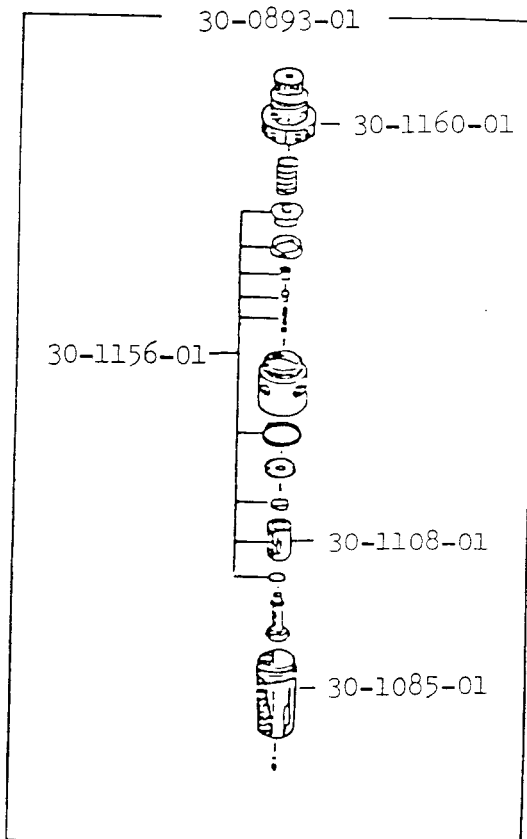
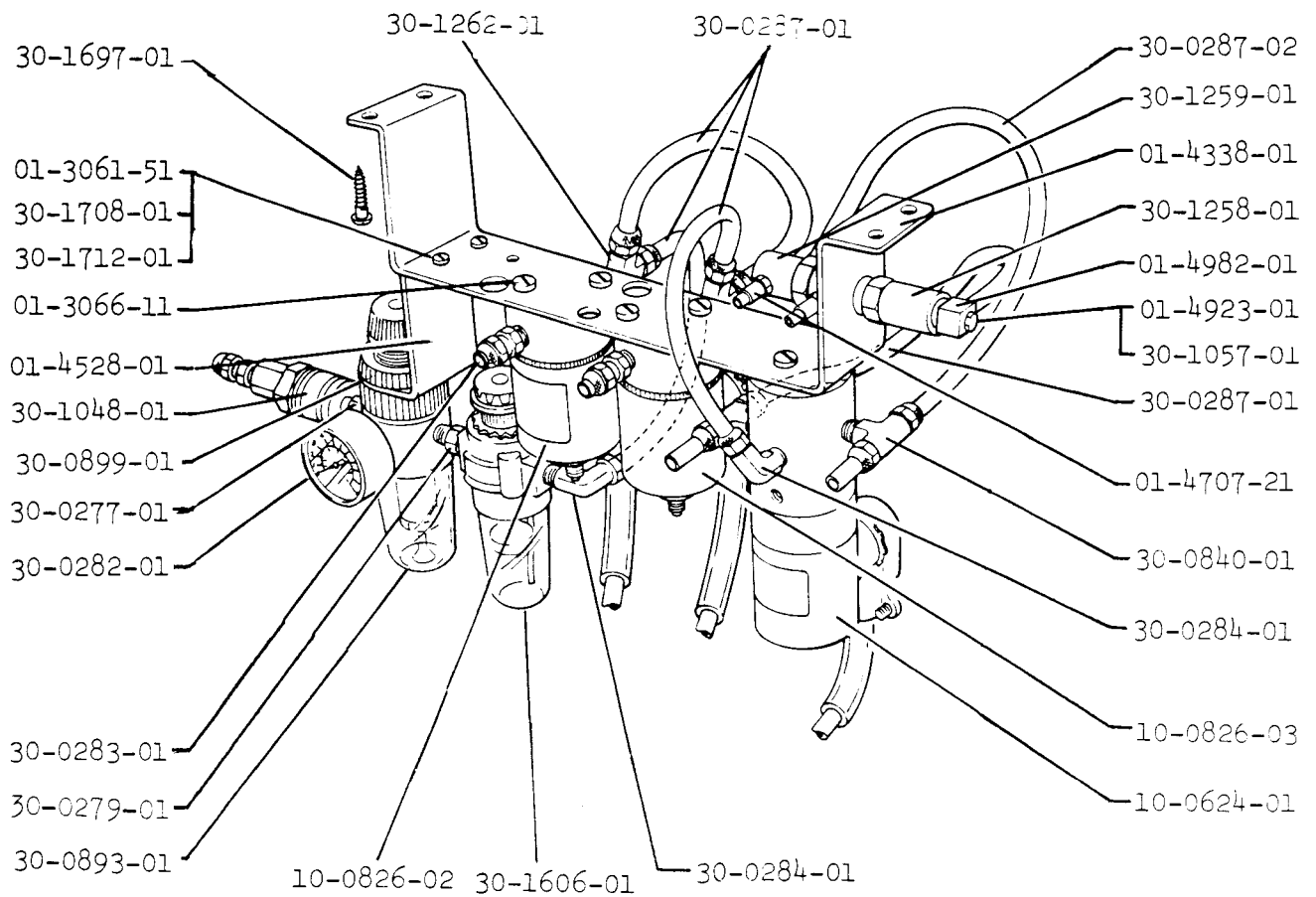


No.	211U257A41	211U365A41	211U369A41	211U867A41	15V157A51	211U366A51	15V990A12	211U867A51	19V152A61	211U366A61	211U867A61	Description
01-3061-51	*	*	-									Screw - Solenoid Air Valve Assembly (4 way) (2)
01-4528-01	*	*	*									Bracket - Regulator Mounting
01-4707-21	*	*	*									Fitting (.078) (3)
01-4923-01	*	*	*									Screw - Elbow (.078)
01-4982-01	*	*	*									Elbow
01-5755-01	*	*	-									Bracket - Pilot Valve Mounting
01-6186-01	*	*	-									Bracket - Solenoid Air Valve Assembly (4 way)
10-0824-01	*	*	*									Solenoid Air Valve Assembly (4 way)
30-0277-01	*	*	*									Quick Disconnect - Male
30-0279-01	*	*	*									Hex. Nipple
30-0282-01	*	*	*									Gauge (0 - 160 psi)
30-0283-01	*	*	*									Tube Fitting
30-0287-01	*	*	*									Tubing Red - Polyflo (1=12")
30-0287-02	*	*	*									Tubing Yellow - Polyflo (1=4")
30-0840-01	*	*	*									Tee - Male Branch (2)
30-0893-01	*	*	*									Filter and Regulator 30-1085-01, 30-1108-01, 30-1160-01, 30-1156-01
30-0899-01	*	*	*									Nut - Bracket Mount
30-0996-01	*	*	-									Adaptor
30-1048-01	*	*	*									Quick Disconnect - Female
30-1057-01	*	*	*									Gasket - #10 - 32 Fitting (2)
30-1085-01	*	*	*									Bowl
30-1108-01	*	*	*									Filter Element 5 Micron
30-1156-01	*	*	*									Filter Rubber Kit
30-1160-01	*	*	*									Bonnet
30-1258-01	*	*	*									Pilot Actuator
30-1259-01	*	*	*									Pilot Valve
30-1561-01	*	*	*									Bowl
30-1608-01	*	*	*									Oiler 30-1561-01, 30-1609-01, 30-1610-01
30-1609-01	*	*	*									Feed Dome
30-1610-01	*	*	*									Repair Kit All Seals (3)
30-1697-01	*	*	*									Screw - Bracket to Table Mounting (4)
81-0463-01	*	-	-									Air Valve Assembly 01-3061-51 (2), 01-4528-01, 01-4707-21 (3), 01-4923-01, 01-4982-01, 01-5755-01, 01-6186-01, 10-0824-01, 30-0277-01, 30-0279-01, 30-0282-01, 30-0283-01, 30-0287-01, 30-0287-02, 30-0840-01 (2), 30-0893-01, 30-0899-01, 30-0996-01, 30-1048-01, 30-1057-01 (2), 30-1258-01, 30-1259-01, 30-1608-01, 30-1697-01 (4)



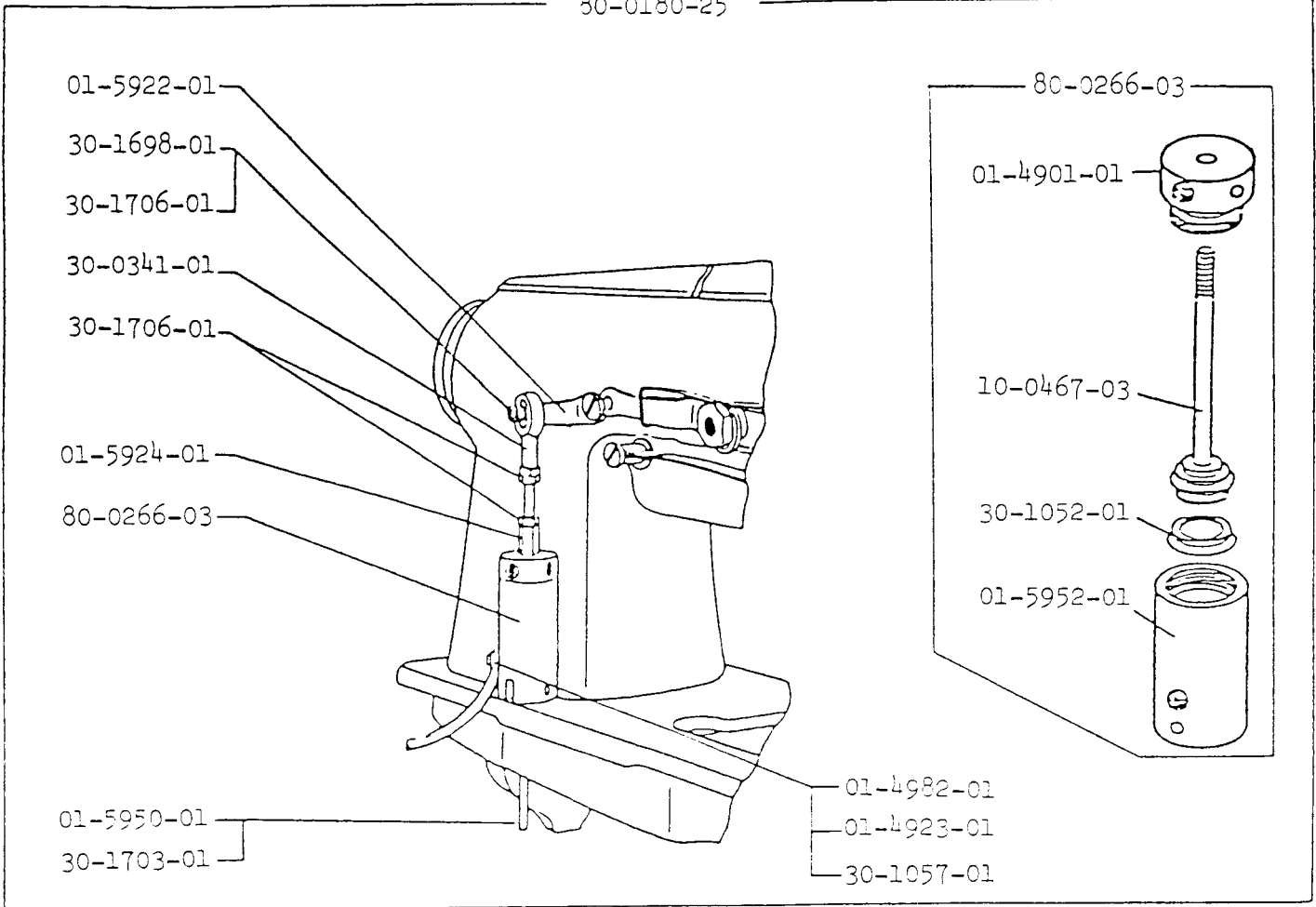
No.	211U257A61	211U365A61	211U366A61	211U867A61	211U257A61	211U366A61	211U867A61	211U867A61	Description
01-3061-51	*	*	-					Screw - Solenoid Air Valve Assembly (4 way) (2)	
01-3066-11	-	*	*					Screw - Solenoid Air Valve Assembly (3 way) (2)	
01-4528-01	*	*	*					Bracket - Regulator Mounting	
01-4707-21	*	*	*					Fitting (.078) (3)	
01-4923-01	*	*	*					Screw - Elbow (.078) (2)	
01-4982-01	*	*	*					Elbow	
01-5755-01	*	*	-					Bracket - Pilot Valve Mounting	
01-6186-01	*	*	-					Bracket - Solenoid Air Valve Assembly (4 way)	
10-0824-01	*	*	*					Solenoid Air Valve Assembly (4 way)	
10-0826-03	-	*	*					Solenoid Air Valve Assembly (3 way)	
30-0277-01	*	*	*					Quick Disconnect - Male	
30-0279-01	*	*	*					Hex. Nipple	
30-0282-01	*	*	*					Gauge (0 - 160 psi)	
30-0283-01	*	*	*					Tube Fitting	
30-0284-01	*	*	*					Elbow	
30-0287-01	*	*	*					Tubing Red - Polyflo (1=12")	
30-0287-02	*	*	*					Tubing Yellow - Polyflo (1=4")	
30-0287-03	-	*	-					Tubing White - Polyflo (1=6")	
30-0840-01	*	*	*					Tee - Male Branch (2)	
30-0893-01	*	*	*					Filter and Regulator 30-1085-01, 30-1108-01, 30-1160-01, 30-1156-01	
30-0899-01	*	*	*					Nut - Bracket Mount	
30-0996-01	*	*	-					Adaptor	
30-1048-01	*	*	*					Quick Disconnect - Female	
30-1057-01	*	*	*					Gasket - #10-32 Fitting (4)	
30-1085-01	*	*	*					Bowl	
30-1104-01	-	*	-					Bushing - Reducing 1/8 pipe to #10-32	
30-1108-01	*	*	*					Filter Element 5 Micron	
30-1156-01	*	*	*					Filter Rubber Kit	
30-1160-01	*	*	*					Bonnet	
30-1258-01	*	*	*					Pilot Actuator	
30-1259-01	*	*	*					Pilot Valve	
30-1561-01	*	*	*					Bowl	
30-1608-01	*	*	*					Oiler 30-1561-01, 30-1609-01, 30-1610-01	
30-1609-01	*	*	*					Feed Dome	
30-1610-01	*	*	*					Repair Kit All Seals (3)	
30-1697-01	*	*	*					Screw - Bracket to Table Mounting (4)	
81-0463-02	-	*	-					Air Valve Assembly 01-3061-51 (2), 01-3066-11 (2), 01-4528-01, 01-4707-21 (3), 01-4923-01 (2), 01-4982-01 (2), 01-5755-01, 01-6186-01, 01-0824-01, 10-0826-03, 30-0277-01, 30-0279-01, 30-0282-01, 30-0283-01, 30-0284-01, 30-0287-01, 30-0287-02, 30-0287-03, 30-0840-01 (2), 30-0893-01, 30-0899-01, 30-0996-01, 30-1048-01, 30-1057-01 (4), 30-1104-01, 30-1258-01, 30-1259-01, 30-1608-01, 30-1697-01.	

81-0463-03

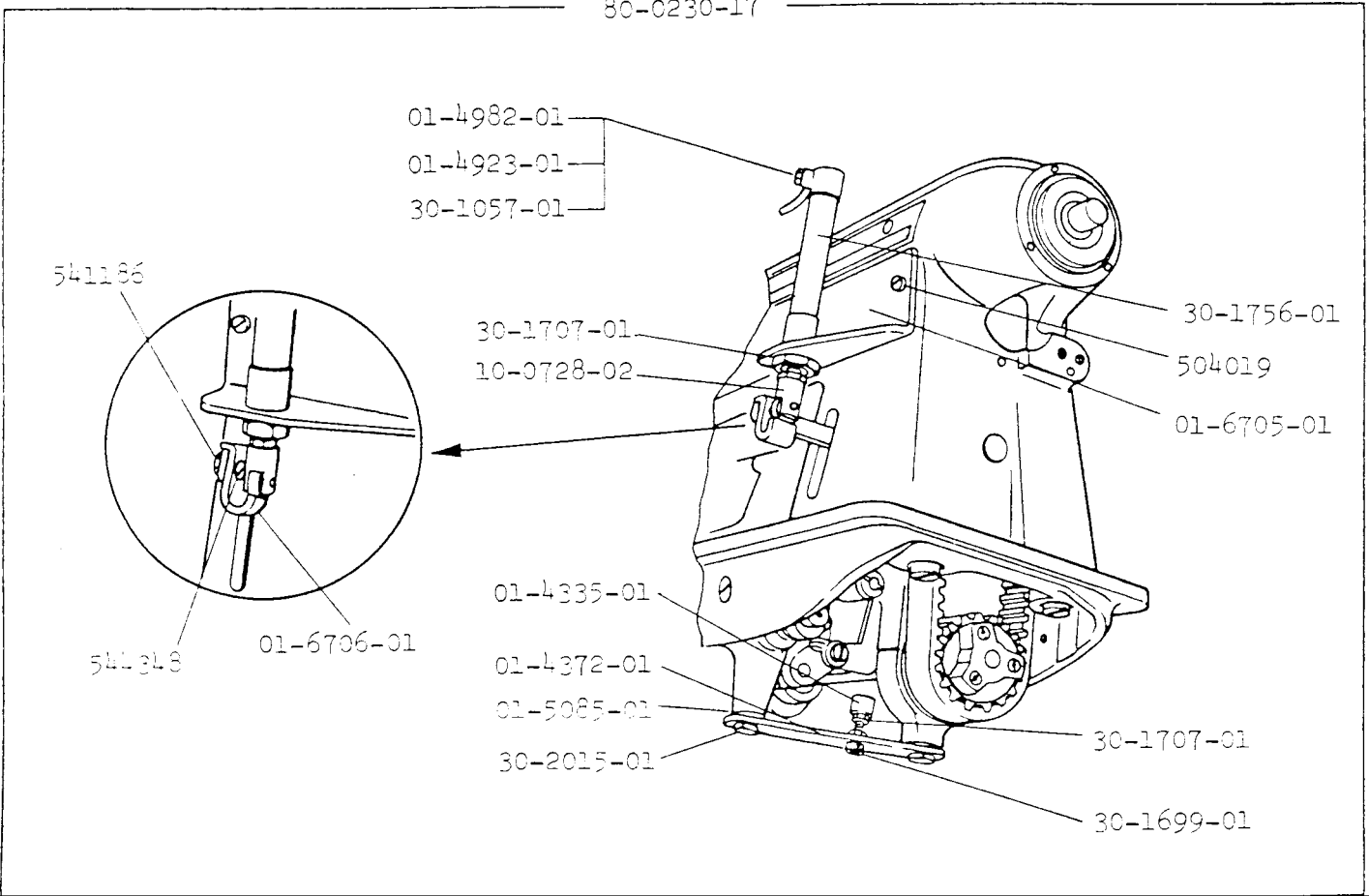


No.	2110257A61	2110365A61	2110366A61	2110867A61	2110362A51	2110366A51	2110867A51	2110257A61	2110366A61	Description
01-3061-51	-	-			*					Screw - Regulator Mounting Bracket (2)
01-3066-11	-	-			*					Screw - Solenoid Air Valve Mounting (6)
01-4338-01	-	-			*					Bracket - Solenoid Air Valve Mounting
01-4528-01	*	*			*					Bracket - Regulator Mounting
01-4707-21	*	*			*					Fitting (.078) (3)
01-4923-01	*	*			*					Screw - Elbow (.078)
01-4982-01	*	*			*					Elbow
10-0824-01	*	*			*					Solenoid Air Valve Assembly (4 way)
10-0826-02	*	*			*					Solenoid Air Valve Assembly (3 way)
10-0826-03	*	*			*					Solenoid Air Valve Assembly (3 way)
30-0277-01	*	*			*					Quick Disconnect - Male
30-0279-01	*	*			*					Hex. Nipple
30-0282-01	*	*			*					Gauge (0 - 160 psi)
30-0283-01	*	*			*					Tube Fitting (3)
30-0284-01	*	*			*					Elbow
30-0284-01	-	-			*					Elbow
30-0287-01	*	*			*					Tubing Red - Polyflo (1=8") (2)
30-0287-01	*	*			*					Tubing Red - Polyflo (1=6")
30-0287-01	*	*			*					Tubing Red - Polyflo (1=9")
30-0287-02	*	*			*					Tubing Yellow - Polyflo (1=6")
30-0840-01	*	*			*					Tee - Male Branch (2)
30-0893-01	*	*			*					Filter and Regulator 30-1085-01, 30-1108-01, 30-1160-01, 30-1156-01
30-0899-01	*	*			*					Nut - Bracket Mount
30-1048-01	*	*			*					Quick Disconnect - Female
30-1057-01	*	*			*					Gasket - #10-32 Fitting (2)
30-1085-01	*	*			*					Bowl
30-1108-01	*	*			*					Filter Element 5 Micron
30-1156-01	*	*			*					Filter Rubber Kit
30-1160-01	*	*			*					Bonnet
30-1258-01	*	*			*					Pilot Actuator
30-1259-01	*	*			*					Pilot Valve
30-1262-01	-	-			*					Tee - Male Run
30-1561-01	*	*			*					Bowl
30-1608-01	*	*			*					Oiler 30-1561-01, 30-1609-01, 30-1610-01
30-1609-01	*	*			*					Feed Dome
30-1610-01	*	*			*					Repair Kit All Seals (3)
30-1697-01	*	*			*					Screw - Bracket to Table Mounting (4)
30-1708-01	-	-			*					Nut - Regulator Mounting Bracket (2)
30-1712-01	-	-			*					Washer - Regulator Mounting Bracket (2)
81-0463-03	-	-			*					Air Valve Assembly 01-3061-51 (2), 01-3066-11 (6), 01-4338-01, 01-4528-01, 01-4707-21 (3), 01-4923-01, 01-4982-01, 10-0824-01, 10-0826-02, 10-0826-03, 30-0277-01, 30-0279-01, 30-0282-01, 30-0283-01 (3), 30-0284-01 (2), 30-0287-01 (4), 30-0287-02, 30-0840-01 (2), 30-0893-01, 30-0899-01, 30-1048-01, 30-1057-01 (2), 30-1258-01, 30-1259-01, 30-1262-01, 30-1608-01, 30-1697-01 (4), 30-1708-01 (2), 30-1712-01 (2)

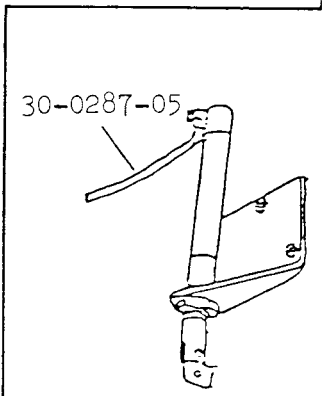
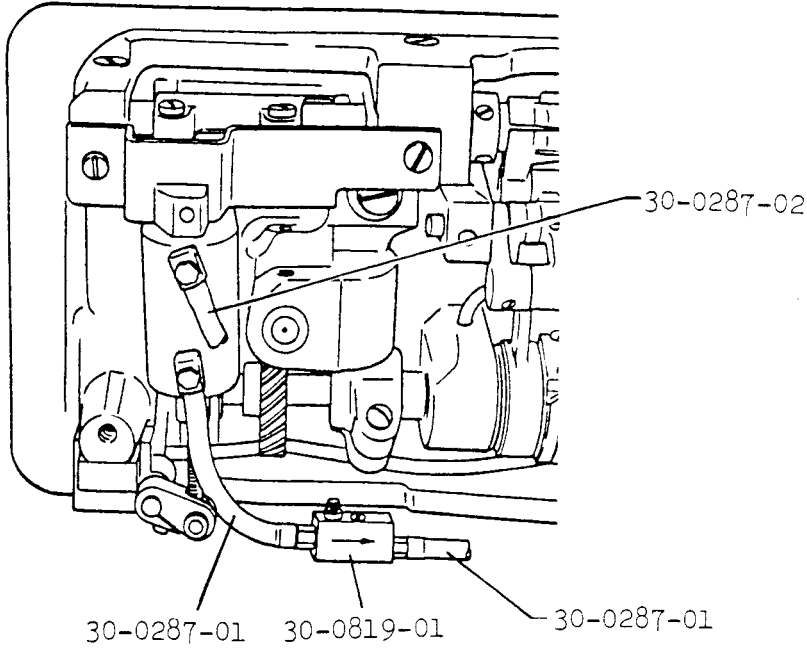
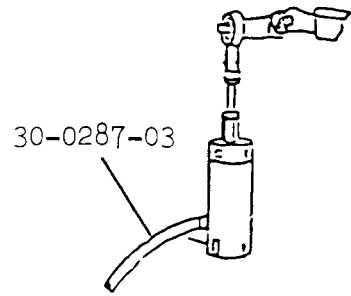
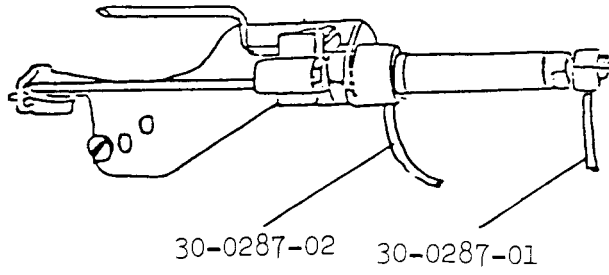
30-0180-25



30-0230-17



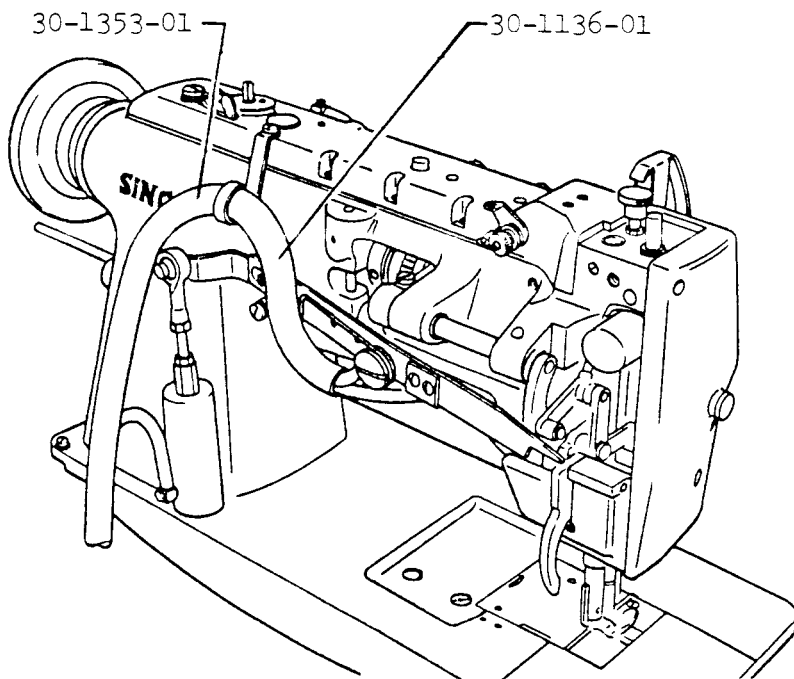
No.	211U257A41	211U365A41	211U366A41	211U867A41	211U365A51	211U366A51	211U867A51	211U257A61	211U366A61	211U867A61	Description
01-4335-01	-	-	*	*							Cap - Reverse Feed Stop
01-4372-01	-	-	*	*							Bracket - Reverse Feed Stop
01-4901-01	-	-	*	*							Cap - Cylinder
01-4923-01	-	-	*	*							Screw - Elbow
01-4923-01	-	-	*	*							Screw - Elbow
01-4982-01	-	-	*	*							Elbow
01-4982-01	-	-	*	*							Elbow
01-5085-01	-	-	*	*							Spacer - Reverse Feed Stop (2)
01-5922-01	-	-	*	*							Bracket
01-5924-01	-	-	*	*							Nut - Bracket Hook Mounting
01-5950-01	-	-	*	*							Rod - Air Cylinder
01-5952-01	-	-	*	*							Body - Air Cylinder
01-6705-01	-	-	*	*							Bracket - Air Cylinder
01-6706-01	-	-	*	*							Extension Bracket - Feed Reversing Lever
541156	-	-	*	*							Nut - Extension Bracket
544348	-	-	*	*							Screw - Extension Bracket
10-0467-03	-	-	*	*							Piston Shaft Assembly
10-0728-02	-	-	*	*							Roller Assembly
30-0341-01	-	-	*	*							Clevis
30-1052-01	-	-	*	*							"U" Cup Packing
30-1057-01	-	-	*	*							Gasket (2)
30-1057-01	-	-	*	*							Gasket (2)
30-1698-01	-	-	*	*							Screw - Bearing-clevis
30-1699-01	-	-	*	*							Screw - Arm Stroke Adjustment
30-1703-01	-	-	*	*							Screw - Adapter or Rod Mounting
30-1706-01	-	-	*	*							Nut - Clevis or Rod End Lock (2)
30-1706-01	-	-	*	*							Nut - Clevis or Rod End Lock
30-1707-01	-	-	*	*							Nut - Cylinder Arm-stop Stud
30-1707-01	-	-	*	*							Nut - Cylinder Arm-stop Stud (2)
30-1756-01	-	-	*	*							Air Cylinder
30-2015-01	-	-	*	*							Screw (2)
504019	-	-	*	*							Reverse Feed Cylinder Mounting Bracket Screw (2)
80-0266-03	-	-	*	*							Air Operated Footlifter Complete 01-4923-01, 01-4982-01, 01-5922-01, 01-5924-01, 01-5950-01, 30-0341-01, 30-1057-01, 80-0266-03, 30-1698-01, 30-1703-01, 30-1706-01 (3)
80-0230-17	-	-	*	*							Reverse Feed Cylinder Assembly 01-4335-01, 01-4372-01, 01-4923-01, 01-4982-01, 01-5085-01, 01-6283-01, 10-0728-02, 30-1057-01, 30-1689-01, 30-1699-01, 30-1707-01 (3), 30-2015-01, 504019 (2)
80-0266-03	-	-	*	*							Air Cylinder Complete 01-4901-01, 01-5952-01, 10-0467-03, 30-1052-01



10-0916-01

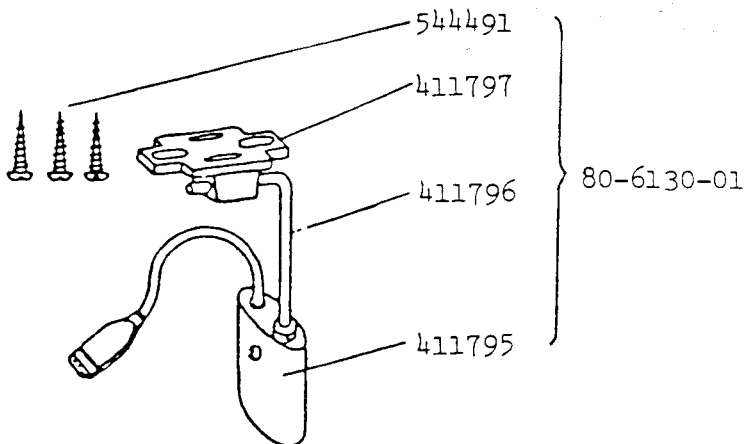
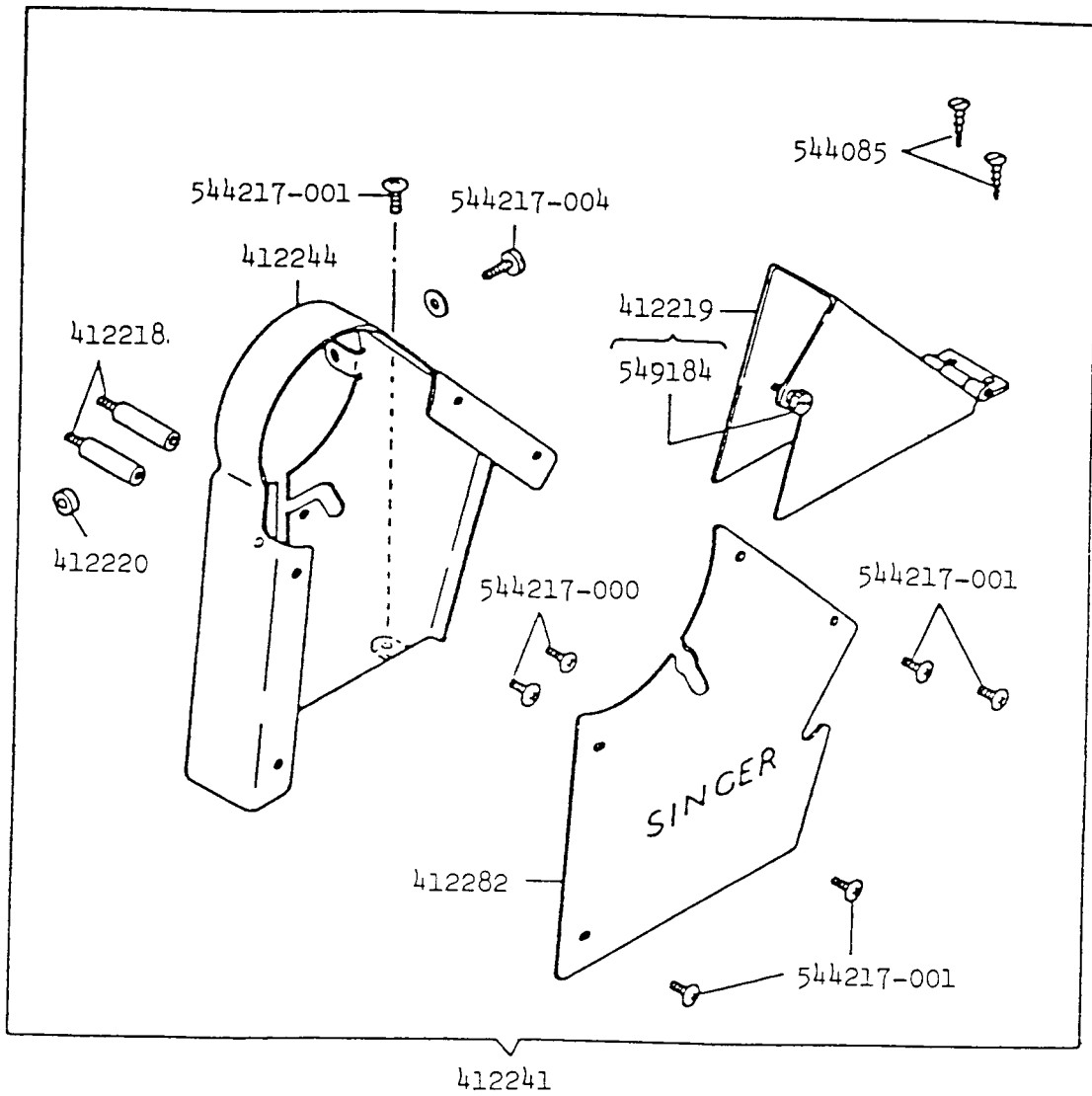
10-0916-02

10-0916-03



No.	2110257A61	2110365A61	2110366A61	2110867A61	2110257A51	2110366A51	2110257A61	2110366A61	Description
10-0720-03	*	-	-						Tubing List - Air Without Foot Lifter 30-0287-01 (3), 30-0287-02 (2), 30-0819-01, 30-1136-01, 30-1353-01
10-0720-04	-	*	-						Tubing List - Air With Foot Lifter 30-0287-01 (3), 30-0287-02 (2), 30-0287-03, 30-0819-01, 30-1136-01, 30-1353-01
10-0871-02	-	-					*		Tubing List - Air With Foot Lifter and Auto - Backtack 30-0287-01 (3), 30-0287-02 (2), 30-0287-03, 30-0287-05, 30-0819-01, 30-1136-01, 30-1353-01
30-0287-01	*	*	*	*	*	*	*	*	Tubing Red - Polyflo (l=18")
30-0287-01	*	*	*	*	*	*	*	*	Tubing Red - Polyflo (l=36")
30-0287-01	*	*	*	*	*	*	*	*	Tubing Red - Polyflo (l=48")
30-0287-02	*	*	*	*	*	*	*	*	Tubing Yellow - Polyflo (l=48")
30-0287-02	*	*	*	*	*	*	*	*	Tubing Yellow - Polyflo (l=48")
30-0287-03	-	*	*	*	*	*	*	*	Tubing White - Polyflo (l=60")
30-0287-05	-	-					*	*	Tubing Blue - Polyflo (l=48")
30-0819-01	*	*	*	*	*	*	*	*	Flow Control Valve
30-1136-01	*	*	*	*	*	*	*	*	Tubing - Harness - Black (.62"X6")
30-1353-01	*	*	*	*	*	*	*	*	Tubing - Harness - Black (.75"X32")

OPTIONAL PARTS



No.	2110257A61	2110365A61	2110366A61	2110867A61	2110867A61	2110365A51	2110366A51	2110867A51	2110257A61	2110366A61	2110867A61	Description
80-6130-01 411795 411796 411797	*	*	*	*	*	*	*	*	*	*	*	Knee Switch Complete 411795, 411796, 411797, 544491 (3) Knee Switch Knee Switch Arm Knee Switch Bracket
<u>OPTION</u>												
412218 412219 412220 412241 412244 412282 544085 544217-001 544217-001 544217-004 549184	*	*	*	*	*	*	*	*	*	*	*	Belt Guard Screw Stud (2) Belt Guard (lower) with 549184 Belt Guard Screw Collar Belt Guard Cpl. 412220, 412241, 442244, 412218 (2), 412219, 544085 (2), 544217-001 (7), 544217-004 Belt Guard Belt Guard Plate Belt Guard (lower) Wood Screw (2) Belt Guard Screw (3) Belt Guard Plate Screw (4) Belt Guard Screw (long) Belt Guard (lower) Thumb Screw

Form U3432(683)
Part No. 409819-002
Printed in Japan