

**SINGER**  
**412U939A,939J,939K**

# ILLUSTRATED PARTS LIST

FOR  
**SINGER®**

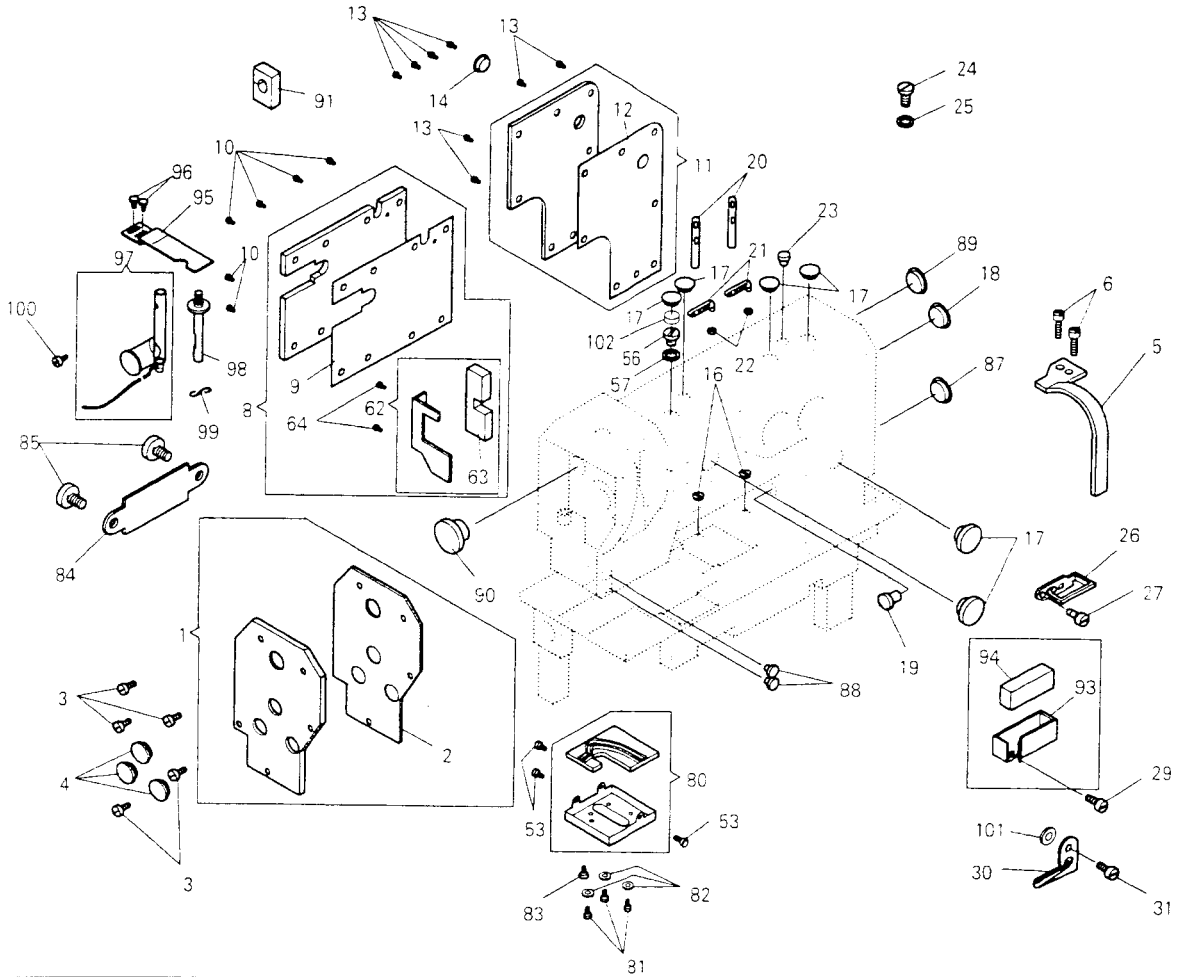
## MACHINES

412U 939A  
939J  
939K

# CONTENTS

FACE PLATE, ARM SIDE COVER .....	1
TAKE-UP LEVER, ARM SHAFT, MACHINE PULLEY .....	2
NEEDLE BAR ROCK FRAME .....	3
LIFTING MECH 1 .....	4
LIFTING MECH 2 .....	5
LIFTING MECH 3 .....	6
PRESSER BAR LIFTER .....	7
FEED MECHANISM (FEED ROCK SHAFT DRIVING FRAME) .....	8
FEED REGULATING DIAL, FEED REVERSE LEVER .....	9
FEED BAR, FEED DRIVING ROCK SHAFT .....	10
HOOK DRIVING SHAFT, HOOK DRIVING SHAFT CONNECTION BELT PULLEY .....	11
HOOK SADDLE (RIGHT), HOOK .....	12
HOOK SADDLE (LEFT), HOOK .....	14
LUBRICATION (PLUNGER PUMP) .....	16
LUBRICATION (OIL RESERVOIR) .....	17
LUBRICATION (BED AREA) .....	18
TENSION .....	19
BOBBIN WINDER .....	20
THREAD TRIMMER 1 .....	21
THREAD TRIMMER 2 .....	22
TENSION RELEASING .....	23
BACK TACK MECHANISM .....	24
BACK TACK SWITCH .....	25
GAUGE PARTS .....	26
ACCESSORIES AND ATTACHMENTS 1 .....	27
ACCESSORIES AND ATTACHMENTS 2 .....	28
ACCESSORIES AND ATTACHMENTS 3 .....	29
PARTS AVAILABLE AT EXTRA CHARGE .....	30

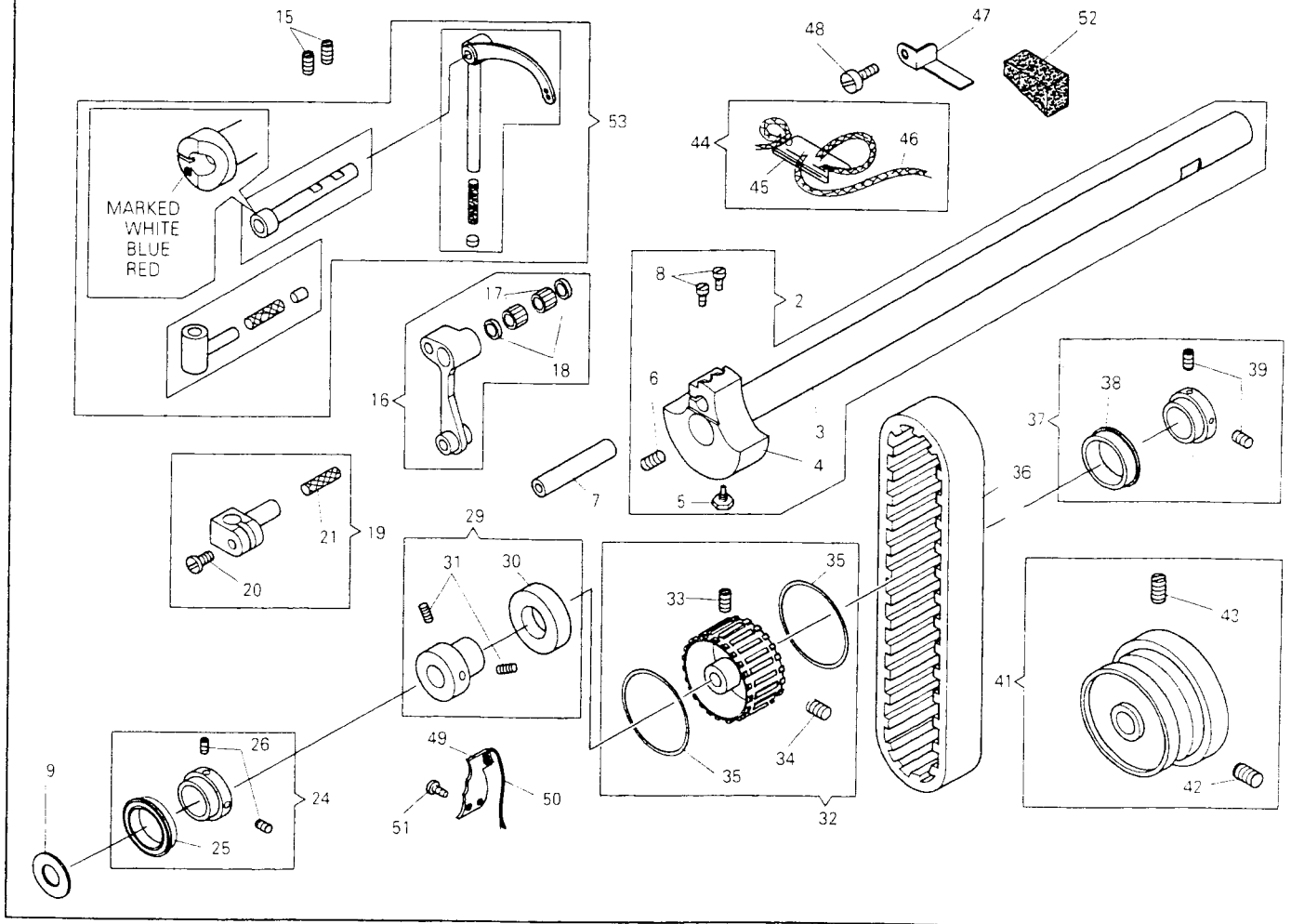
# FACE PLATE, ARM SIDE COVER



NO	PART NO.	939A	939J	939K	QTY	DESCRIPTION
1	554773-467	*	*	*	1	FACE PLATE AND FACE PLATE PACKING COMP.
2	554309	*	*	*	1	FACE PLATE PACKING
3	544217-052	*	*	*	5	FACE PLATE SCREW
4	368063	*	*	*	3	FACE PLATE PLUG
5	552823-467	*	*	*	1	TAKE-UP LEVER GUARD
6	544217-052	*	*	*	2	TAKE-UP LEVER GUARD SCREW
8	554840	*	*	*	1	ARM SIDE COVER (SMALL) AND ARM SIDE COVER (SMALL) GASKET COMP.
9	554308	*	*	*	1	ARM SIDE COVER (SMALL) GASKET
10	544217-052	*	*	*	6	ARM SIDE COVER (SMALL) SCREW
11	552867	*	*	*	1	ARM SIDE COVER (LARGE) AND ARM SIDE COVER (LARGE) GASKET COMP.
12	554310	*	*	*	1	ARM SIDE COVER (LARGE) PACKING
13	544217-052	*	*	*	8	ARM SIDE COVER (LARGE) SCREW
13	544217-052	—	*	*	7	ARM SIDE COVER (LARGE) SCREW
13	544217-004	—	*	*	1	ARM SIDE COVER (LARGE) SCREW
14	368063-392	*	*	*	1	ARM SIDE COVER (LARGE) HOLE PLUG
16	549230	*	*	*	2	BED OIL HOLE PLUG
17	544875-392	*	*	*	6	ARM HOLE PLUG
18	552835	*	*	*	1	ARM HOLE PLUG (BACK)
19	508283	*	*	*	1	ARM HOLE PLUG (FEED REVERSE LEVER HINGE STUD HOLE)
20	52239	*	*	*	2	THREAD GUIDE STUD
21	411092	*	*	*	2	THREAD RETAINER (4-HOLES)
22	541180	*	*	*	2	THREAD RETAINER (4-HOLES) NUT
23	375014-452	*	*	*	1	ARM HOLE PLUG (SMALL)
24	544212-003	*	*	*	1	EARTH WIRE SCREW
25	543803-003	*	*	*	1	EARTH WIRE SCREW WASHER
26	552415	*	*	*	1	THREAD GUIDE (UPPER)
27	544347	*	*	*	1	THREAD GUIDE (UPPER) SCREW
29	504063-451	*	*	*	1	THREAD LUBRICATOR OIL PAD HOLDER SCREW
30	224040	*	*	*	1	THREAD GUIDE (LOWER)
31	544347	*	*	*	1	THREAD GUIDE (LOWER) SCREW
53	544217-051	*	*	*	3	NEEDLE BAR ROCK FRAME COVER SCREW

NO	PART NO.	939A	939J	939K	QTY	DESCRIPTION
56	545036	*	*	*	1	TAKE-UP LEVER OIL HOLE CAP SCREW
57	545754	*	*	*	1	TAKE-UP LEVER OIL HOLE CAP SCREW PACKING
62	554841	*	*	*	1	ARM SIDE COVER (SMALL) OIL GUARD COMP.
63	554843	*	*	*	1	ARM SIDE COVER (SMALL) OIL GUARD OIL SEAL
64	544211-002	*	*	*	2	ARM SIDE COVER (SMALL) OIL GUARD SCREW
80	554875	*	*	*	1	NEEDLE BAR ROCK FRAME COVER PACKING COMP.
81	374497-001	*	*	*	3	NEEDLE BAR ROCK FRAME COVER SCREW
82	548054	*	*	*	3	NEEDLE BAR ROCK FRAME COVER SCREW WASHER
83	374583-002	*	*	*	1	NEEDLE BAR ROCK FRAME COVER SCREW
84	554640	*	*	*	1	ARM SIDE COVER
85	544217-052	*	*	*	2	ARM SIDE COVER SCREW
87	502760	*	*	*	1	ARM HOLE PLUG (FEED REGULATOR SHAFT HOLE)
88	554873	*	*	*	2	ARM HOLE PLUG
89	550011	*	*	*	1	ARM HOLE PLUG
90	544886-452	*	*	*	1	ARM HOLE PLUG
91	554881	*	*	*	1	ARM OIL SEAL
93	412476	*	*	*	1	THREAD LUBRICATOR OIL PAD HOLDER
94	412479	*	*	*	1	THREAD LUBRICATOR OIL PAD
95	554737	*	*	*	1	THREAD LUBRICATING REGULATOR SPRING
96	544212-051	*	*	*	2	THREAD LUBRICATING REGULATOR SPRING SCREW
97	554739	*	*	*	1	THREAD LUBRICATING RESERVOIR COMP.
98	514072	*	*	*	1	THREAD LUBRICATING RESERVOIR STUD
99	554848	*	*	*	1	THREAD LUBRICATING RESERVOIR OIL TUBE RETAINER
100	374119	*	*	*	1	THREAD LUBRICATING RESERVOIR SCREW
101	543875-005	*	*	*	1	THREAD GUIDE LOWER SPACER
102	204329	*	*	*	1	TAKE-UP LEVER OIL PAD (FEED)

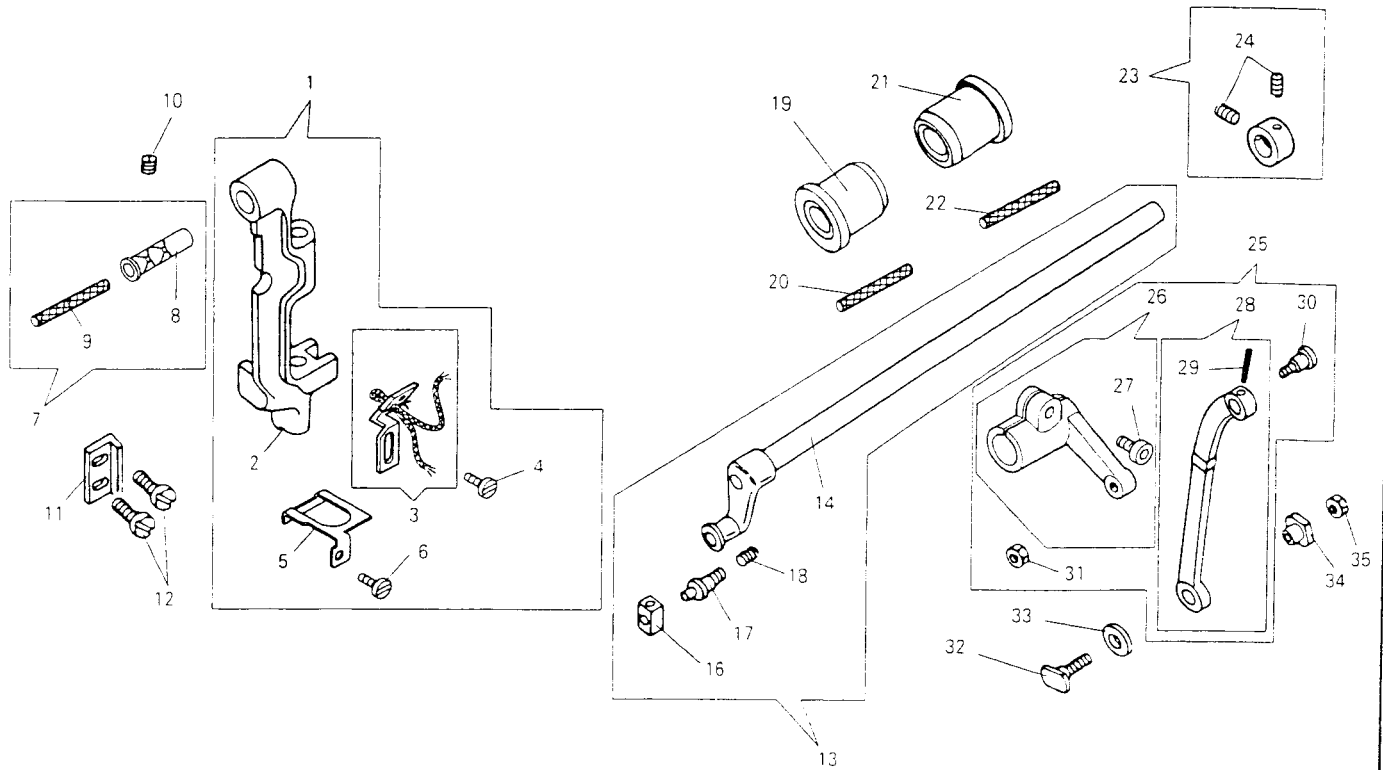
# TAKE-UP LEVER, ARM SHAFT, MACHINE PULLEY



NO.	PART NO.	939A	939J	939K	QTY	DESCRIPTION
2	554815	*	*	*	1	ARM SHAFT NEEDLE BAR CRANK COMP
3	554323	*	*	*	1	ARM SHAFT
4	554816	*	*	*	1	NEEDLE BAR CRANK
5	374100	*	*	*	1	NEEDLE BAR CRANK POSITION SCREW
6	504095	*	*	*	1	NEEDLE BAR CRANK SET SCREW
7	554693	*	*	*	1	NEEDLE BAR CONNECTING LINK STUD
8	544448	*	*	*	2	NEEDLE BAR CONNECTING LINK STUD PINCH SCREW
9	554325	*	*	*	1	NEEDLE BAR CRANK FRICTION WASHER
15	544209-006	*	*	*	2	TAKE-UP LEVER HINGE STUD SET SCREW
16	554588	*	*	*	1	NEEDLE BAR CONNECTING LINK COMP
17	502964	*	*	*	2	NEEDLE BAR CONNECTING LINK BEARING
18	554329	*	*	*	2	NEEDLE BAR CONNECTING LINK BEARING RETAINING RING
19	554522	*	*	*	1	NEEDLE BAR CONNECTING STUD COMP
20	545071	*	*	*	1	NEEDLE BAR CONNECTING STUD PINCH SCREW
21	202330	*	*	*	1	NEEDLE BAR CONNECTING STUD OIL WICK
24	554334	*	*	*	1	ARM SHAFT BALL BEARING (FRONT) COMP
25	554335	*	*	*	1	ARM SHAFT BALL BEARING (FRONT)
26	544209-005	*	*	*	2	ARM SHAFT BALL BEARING (INSIDE COLLAR) SET SCREW
29	554834	*	*	*	1	ARM SHAFT BALL BEARING (MIDDLE) COMP.
30	554835	*	*	*	1	ARM SHAFT BALL BEARING (MIDDLE)
31	544209-005	*	*	*	2	ARM SHAFT BALL BEARING (INSIDE COLLAR) SET SCREW
32	554336	*	*	*	1	ARM SHAFT CONNECTION BELT PULLEY COMP.
33	544322	*	*	*	1	ARM SHAFT CONNECTION BELT PULLEY SET SCREW
34	555036	*	*	*	1	ARM SHAFT CONNECTION BELT PULLEY POSITION SCREW
35	202253	*	*	*	2	ARM SHAFT CONNECTION BELT PULLEY SPRING FLANGE
36	267161	*	*	*	1	ARM SHAFT CONNECTION BELT
37	554783	*	*	*	1	ARM SHAFT BALL BEARING (BACK) COMP.

NO.	PART NO.	939A	939J	939K	QTY	DESCRIPTION
38	554784	*	*	*	1	ARM SHAFT BALL BEARING (BACK)
39	544209-005	*	*	*	2	ARM SHAFT BALL BEARING (INSIDE COLLAR) SET SCREW
41	554656-383	*	*	*	1	MACHINE PULLEY COMP.
42	141566	*	*	*	1	MACHINE PULLEY POSITION SCREW
43	141567-833	*	*	*	1	MACHINE PULLEY SET SCREW
44	554882	*	*	*	1	TAKE-UP LEVER OIL FELT WICK COMP.
45	552899	*	*	*	1	TAKE-UP LEVER OIL FELT
46	554465-006	*	*	*	1	TAKE-UP LEVER OIL FELT WICK
47	554800	*	*	*	1	TAKE-UP LEVER OIL FELT RETAINER
48	544213-052	*	*	*	1	TAKE-UP LEVER OIL FELT RETAINER SCREW
49	554341	*	*	*	1	TAKE-UP LEVER OIL GUARD
50	555055	*	*	*	1	TAKE-UP LEVER OIL GUARD OIL WICK
51	545114	*	*	*	1	TAKE-UP LEVER OIL GUARD SCREW
52	554720	*	*	*	1	TAKE-UP LEVER OIL FELT PAD
53	554969-000	*	*	*	1	TAKE-UP LEVER, TAKE-UP LEVER DRAWING STUD, TAKE-UP LEVER HINGE STUD COMP. - 001 (MARKED WHITE) - 002 (MARKED BLUE) - 003 (MARKED RED)

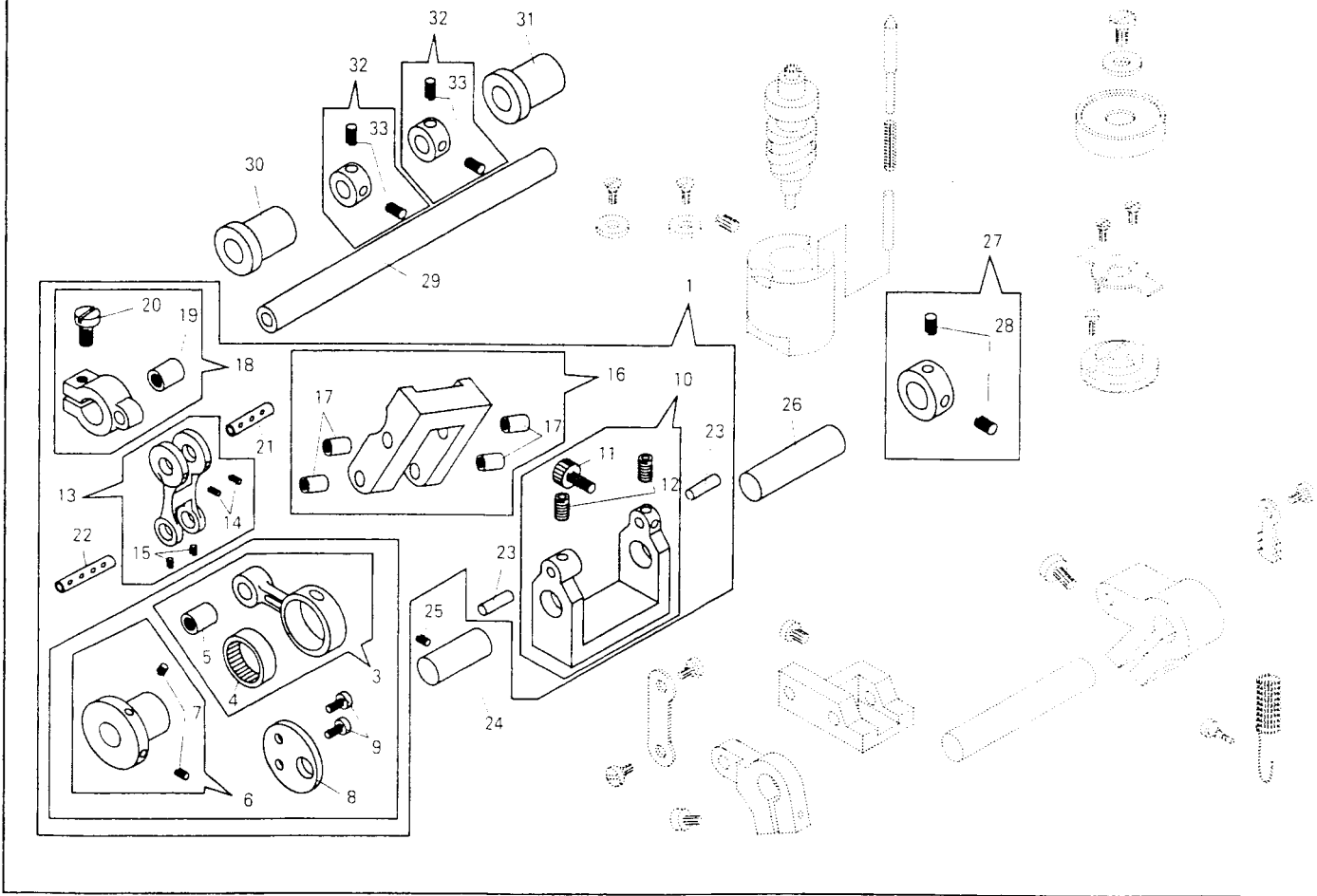
# NEEDLE BAR ROCK FRAME



NO	PART NO.	939A	939J	939K	QTY	DESCRIPTION
1	554970	*	*	*	1	NEEDLE BAR ROCK FRAME COMP.
2	554930	*	*	*	1	NEEDLE BAR ROCK FRAME
3	554718	*	*	*	1	NEEDLE BAR CONNECTING LINK OIL WICK RETAINER COMP.
4	545318-452	*	*	*	1	NEEDLE BAR CONNECTING LINK OIL WICK RETAINER SCREW
5	552684	*	*	*	1	NEEDLE BAR ROCK FRAME OIL WICK RETAINER
6	545318-452	*	*	*	1	NEEDLE BAR ROCK FRAME OIL WICK RETAINER SCREW
7	552685	*	*	*	1	NEEDLE BAR ROCK FRAME HINGE STUD COMP.
8	552686	*	*	*	1	NEEDLE BAR ROCK FRAME HINGE STUD
9	202277	*	*	*	1	NEEDLE BAR ROCK FRAME HINGE STUD OIL WICK
10	544209-006	*	*	*	1	NEEDLE BAR ROCK FRAME HINGE STUD SET SCREW
11	514044	*	*	*	1	NEEDLE BAR ROCK FRAME POSITION BRACKET
12	414508	*	*	*	2	NEEDLE BAR ROCK FRAME POSITION BRACKET SCREW
13	552687	*	*	*	1	NEEDLE BAR ROCK FRAME ROCK SHAFT COMP.
14	552688	*	*	*	1	NEEDLE BAR ROCK FRAME ROCK SHAFT
16	555078	*	*	*	1	NEEDLE BAR ROCK FRAME ROCK SHAFT SLIDE BLOCK
17	412085	*	*	*	1	NEEDLE BAR ROCK FRAME ROCK SHAFT SLIDE BLOCK STUD
18	544326	*	*	*	1	NEEDLE BAR ROCK FRAME ROCK SHAFT SLIDE BLOCK STUD SET SCREW
19	554635	*	*	*	1	NEEDLE BAR ROCK FRAME ROCK SHAFT BUSHING (FRONT)
20	554465-002	*	*	*	1	NEEDLE BAR ROCK FRAME ROCK SHAFT BUSHING (FRONT) OIL WICK
21	554636	*	*	*	1	NEEDLE BAR ROCK FRAME ROCK SHAFT BUSHING (BACK)

NO	PART NO.	939A	939J	939K	QTY	DESCRIPTION
22	554465-003	*	*	*	1	NEEDLE BAR ROCK FRAME ROCK SHAFT BUSHING (BACK) OIL WICK
23	552443	*	*	*	1	NEEDLE BAR ROCK FRAME ROCK SHAFT COLLAR COMP.
24	544204-001	*	*	*	2	NEEDLE BAR ROCK FRAME ROCK SHAFT COLLAR SCREW
25	552689	*	*	*	1	NEEDLE BAR ROCK FRAME ROCK SHAFT CRANK CRANK LINK COMP.
26	552690	*	*	*	1	NEEDLE BAR ROCK FRAME ROCK SHAFT CRANK COMP.
27	374107-004	*	*	*	1	NEEDLE BAR ROCK FRAME ROCK SHAFT CRANK PINCH SCREW
28	223693	*	*	*	1	NEEDLE BAR ROCK FRAME ROCK SHAFT CRANK LINK COMP.
29	202277	*	*	*	1	NEEDLE BAR ROCK FRAME ROCK SHAFT CRANK LINK OIL WICK
30	500243	*	*	*	1	NEEDLE BAR ROCK FRAME ROCK SHAFT CRANK HINGE SCREW
31	545443	*	*	*	1	NEEDLE BAR ROCK FRAME ROCK SHAFT CRANK HINGE SCREW LOCK NUT
32	374540	*	*	*	1	NEEDLE BAR ROCK FRAME ROCK SHAFT CRANK LINK SLIDE SCREW
33	508286	*	*	*	1	NEEDLE BAR ROCK FRAME ROCK SHAFT CRANK LINK SLIDE SCREW SPACER
34	374548	*	*	*	1	NEEDLE BAR ROCK FRAME ROCK SHAFT CRANK LINK SLIDE SCREW NUT
35	545443	*	*	*	1	NEEDLE BAR ROCK FRAME ROCK SHAFT CRANK LINK SLIDE SCREW LOCK NUT

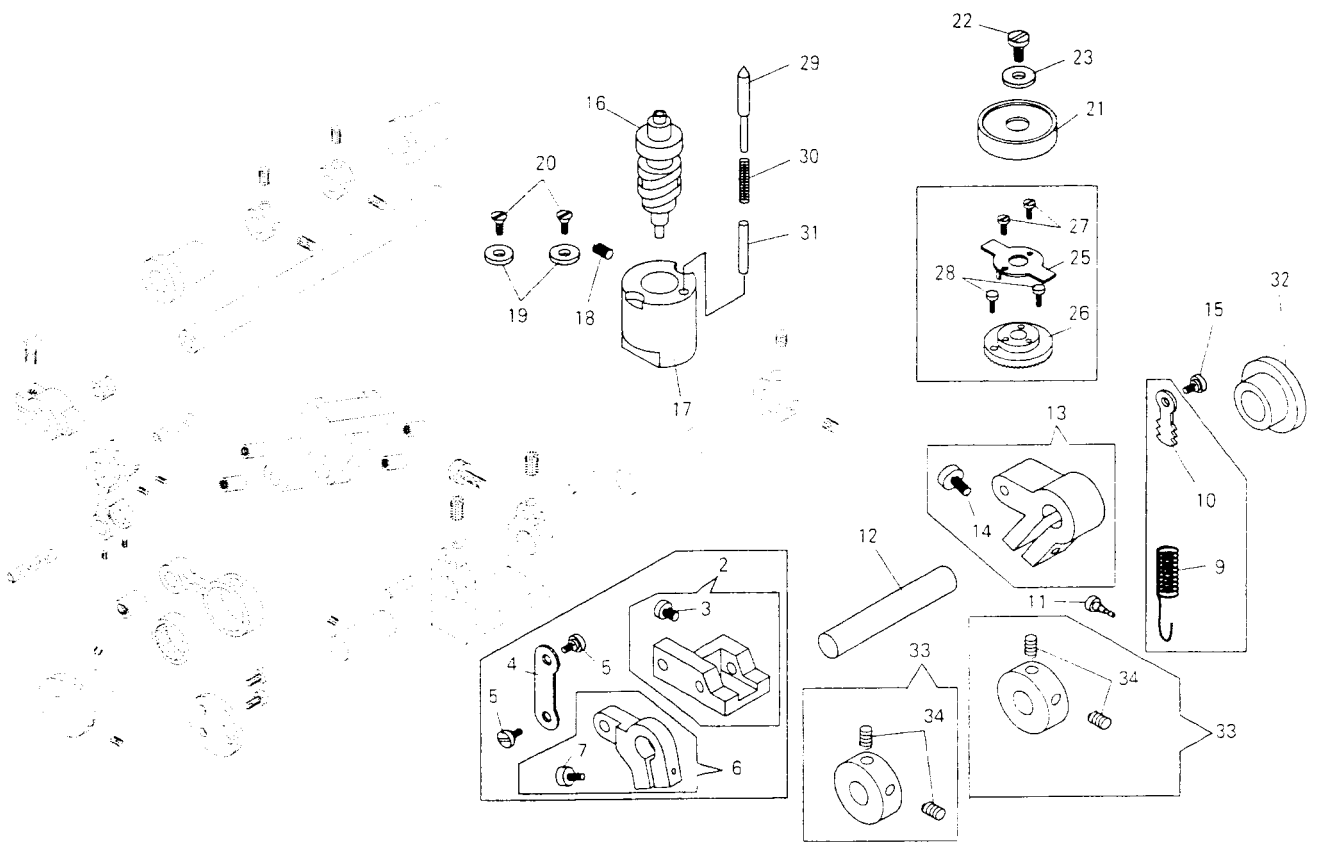
# LIFTING MECH 1



NO	PART NO.	939A	939J	939K	QTY	DESCRIPTION
1	552692	*	*	*	1	LIFTING ECCENTRIC LIFTING ECCENTRIC CONNECTION AND LIFTING ROCK SHAFT DRIVING FRAME COMPLETE
3	552694	*	*	*	1	LIFTING ECCENTRIC CONNECTION COMPLETE
4	268063	*	*	*	1	LIFTING ECCENTRIC CONNECTION BEARING (LARGE)
5	554772	*	*	*	1	LIFTING ECCENTRIC CONNECTION BEARING (SMALL)
6	552697	*	*	*	1	LIFTING ECCENTRIC COMPLETE
7	544209-006	*	*	*	2	LIFTING ECCENTRIC SET SCREW
8	552699	*	*	*	1	LIFTING ECCENTRIC CONNECTION BEARING RETAINING
9	544212-051	*	*	*	2	LIFTING ECCENTRIC CONNECTION BEARING RETAINING SCREW
10	552700	*	*	*	1	LIFTING ROCK SHAFT DRIVING FRAME COMPLETE
11	544411	*	*	*	1	LIFTING ROCK SHAFT DRIVING FRAME SHAFT CLAMPING SCREW
12	544207-012	*	*	*	2	LIFTING ROCK SHAFT DRIVING FRAME LINK (SHORT) HINGE PIN SET SCREW
13	552702	*	*	*	1	LIFTING ROCK SHAFT DRIVING FRAME LINK (LONG) COMPLETE
14	376240	*	*	*	2	LIFTING ROCK SHAFT DRIVING FRAME LINK (LONG) PIN (SHORT) SET SCREW
15	376240	*	*	*	2	LIFTING ROCK SHAFT DRIVING FRAME LINK (LONG) PIN (LONG) SET SCREW
16	552704	*	*	*	1	LIFTING ROCK SHAFT DRIVING FRAME LINK (SHORT) COMPLETE
17	554772	*	*	*	4	LIFTING ROCK SHAFT DRIVING FRAME LINK (SHORT) BEARING
18	554768	*	*	*	1	LIFTING ROCK SHAFT ARM COMPLETE
19	554772	*	*	*	1	LIFTING ROCK SHAFT ARM NEEDLE BEARING

NO	PART NO.	939A	939J	939K	QTY	DESCRIPTION
20	374026	*	*	*	1	LIFTING ROCK SHAFT ARM SCREW
21	552709	*	*	*	1	LIFTING ROCK SHAFT DRIVING FRAME LINK (LONG) PIN (SHORT)
22	552710	*	*	*	1	LIFTING ROCK SHAFT DRIVING FRAME LINK (LONG) PIN (LONG)
23	552711	*	*	*	2	LIFTING ROCK SHAFT DRIVING FRAME LINK (SHORT) HINGE PIN
24	552712	*	*	*	1	LIFTING ROCK SHAFT DRIVING FRAME SHAFT (SHORT)
25	544204-002	*	*	*	1	LIFTING ROCK SHAFT DRIVING FRAME SHAFT (SHORT) SET SCREW
26	552713	*	*	*	1	LIFTING ROCK SHAFT DRIVING FRAME SHAFT (LONG)
27	552719	*	*	*	1	LIFTING ROCK SHAFT DRIVING FRAME SHAFT (LONG) COLLAR COMP
28	544207-011	*	*	*	2	LIFTING ROCK SHAFT DRIVING FRAME SHAFT (LONG) COLLAR SET SCREW
29	554555	*	*	*	1	LIFTING ROCK SHAFT
30	554556	*	*	*	1	LIFTING ROCK SHAFT BUSHING (FRONT)
31	554557	*	*	*	1	LIFTING ROCK SHAFT BUSHING (BACK)
32	555058	*	*	*	2	LIFTING ROCK SHAFT COLLAR COMPLETE
33	154780	*	*	*	4	LIFTING ROCK SHAFT COLLAR SET SCREW

# LIFTING MECH 2

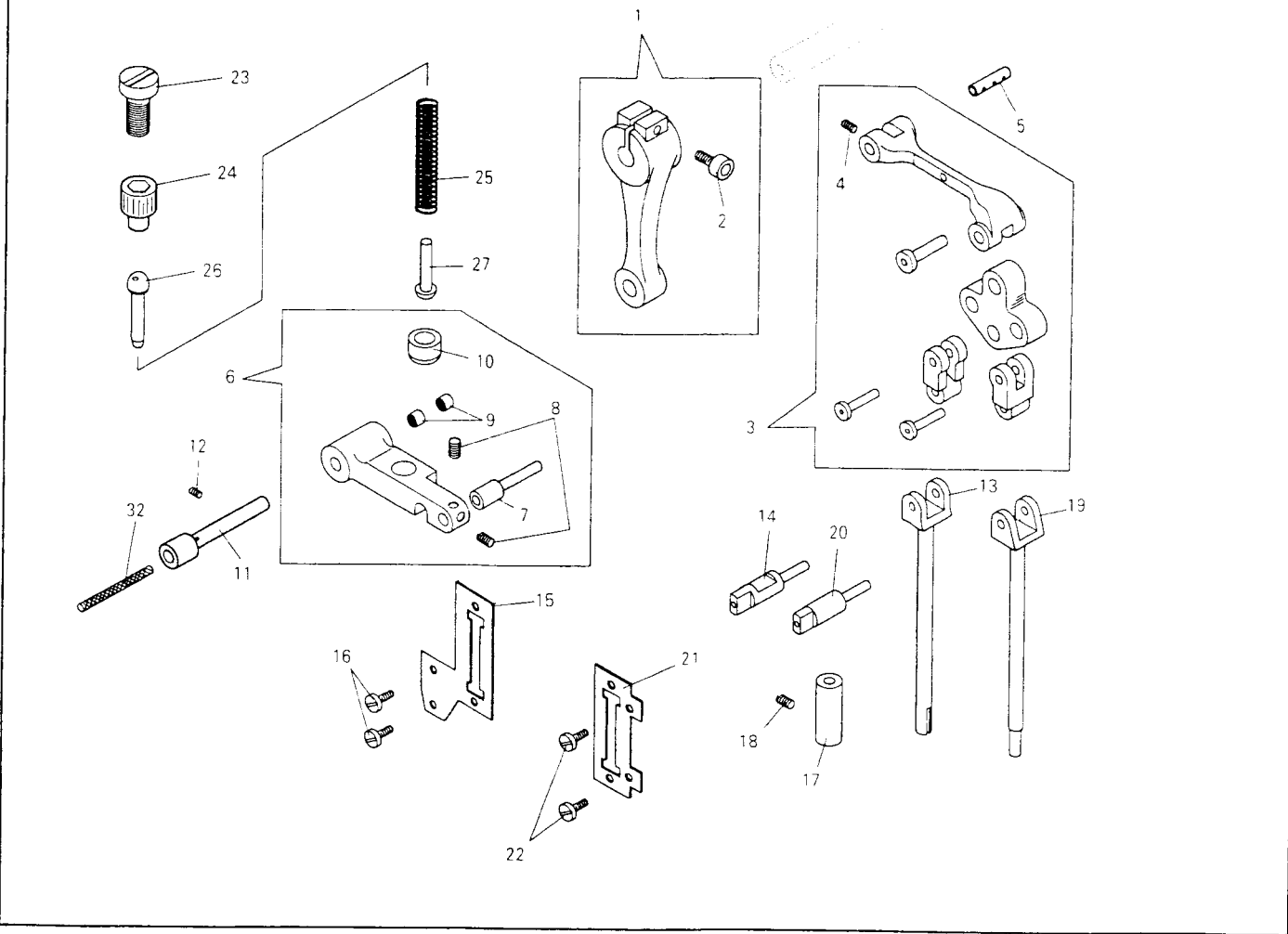


NO	PART NO.	939A	939J	939K	QTY	DESCRIPTION
2	554996	*	*	*	1	LIFTING REGULATING ARM COMPLETE
3	374108-010	*	*	*	1	LIFTING REGULATING ARM SCREW
4	554579	*	*	*	1	LIFTING REGULATING ARM LINK
5	549288	*	*	*	2	LIFTING REGULATING ARM LINK HINGE SCREW
6	554580	*	*	*	1	LIFTING REGULATING SPRING SHAFT ARM (FRONT) COMPLETE
7	374108-002	*	*	*	1	LIFTING REGULATING SPRING SHAFT ARM (FRONT) SCREW
9	554595	*	*	*	1	LIFTING REGULATING SPRING
10	552503	*	*	*	1	LIFTING REGULATING SPRING HOOK (UPPER)
11	554596	*	*	*	1	LIFTING REGULATING SPRING PIN
12	554594	*	*	*	1	LIFTING REGULATING SPRING SHAFT
13	554778	*	*	*	1	LIFTING REGULATING SPRING SHAFT
14	374108-002	*	*	*	1	ARM (BACK) COMPLETE
15	549288	*	*	*	1	LIFTING REGULATING SPRING SHAFT ARM (BACK) SCREW
16	554562	*	*	*	1	LIFTING REGULATING SPRING HOOK (UPPER) SCREW
17	554563	*	*	*	1	LIFTING REGULATING SCREW BUSHING
18	544209-003	*	*	*	1	LIFTING REGULATING SCREW BUSHING SET SCREW
19	554564	*	*	*	2	LIFTING REGULATING SCREW BUSHING WASHER
20	374113	*	*	*	2	LIFTING REGULATING SCREW BUSHING WASHER SCREW
21	555064	*	*	*	1	LIFTING REGULATING DIAL
22	368362	*	*	*	1	LIFTING REGULATING DIAL CAP SCREW
23	368363	*	*	*	1	LIFTING REGULATING DIAL CAP SCREW WASHER
25	554569	*	*	*	1	LIFTING REGULATING DIAL SERRATION PLATE
26	554570	*	*	*	1	LIFTING REGULATING DIAL RING
27	544211-002	*	*	*	2	LIFTING REGULATING DIAL RING SCREW

NO	PART NO.	939A	939J	939K	QTY	DESCRIPTION
28	544211-002	*	*	*	2	LIFTING REGULATING DIAL STOP SCREW
29	554573	*	*	*	1	LIFTING REGULATING DIAL LOCK PIN
30	554571	*	*	*	1	LIFTING REGULATING DIAL LOCK PIN SPRING
31	554572	*	*	*	1	LIFTING REGULATING DIAL LOCK PIN SPRING GUIDE
32	552466	*	*	*	1	LIFTING REGULATING SPRING SHAFT BUSHING
33	552719	*	*	*	2	LIFTING REGULATING SPRING SHAFT COLLAR COMP.
34	544207-011	*	*	*	4	LIFTING REGULATING SPRING SHAFT COLLAR SET SCREW



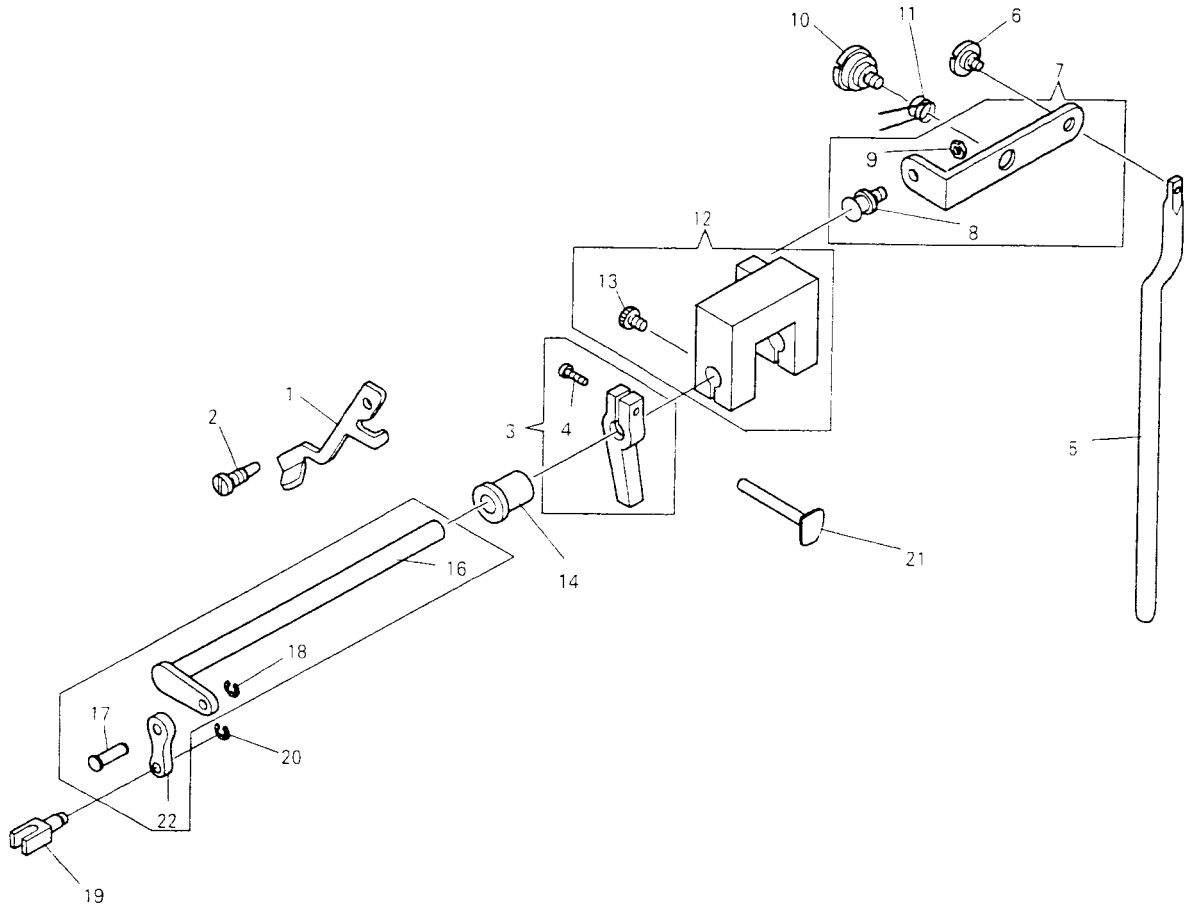
# LIFTING MECH 3



NO	PART NO.	939A	939J	939K	QTY	DESCRIPTION
1	554553	*	*	*	1	LIFTING ROCK SHAFT CRANK COMPLETE
2	544411	*	*	*	1	LIFTING ROCK SHAFT CRANK SCREW
3	552727	*	*	*	1	LIFTING BELL CRANK COMPLETE
4	376240	*	*	*	1	LIFTING ROCK SHAFT CRANK LINK PIN
5	552733	*	*	*	1	SET SCREW LIFTING ROCK SHAFT CRANK LINK PIN (LEFT)
6	552734	*	*	*	1	LIFTING BELL CRANK SUPPORTING ARM COMPLETE
7	552736	*	*	*	1	LIFTING BELL CRANK SUPPORTING ARM PIN
8	544207-012	*	*	*	2	LIFTING BELL CRANK SUPPORTING ARM PIN SET SCREW
9	552696	*	*	*	2	LIFTING BELL CRANK SUPPORTING ARM NEEDLE ROLLER BEARING
10	552737	*	*	*	1	PRESSER BAR SPRING GUIDE PIVOT
11	552738	*	*	*	1	LIFTING BELL CRANK SUPPORTING ARM SHAFT
12	544204-002	*	*	*	1	LIFTING BELL CRANK SUPPORTING ARM SHAFT SET SCREW
13	552739	*	*	*	1	PRESSER BAR
14	552740	*	*	*	1	PRESSER BAR PIN
15	552741	*	*	*	1	PRESSER BAR PIN GUIDE
16	545340	*	*	*	2	PRESSER BAR PIN GUIDE SCREW
17	554407	*	*	*	1	PRESSER BAR BUSHING
18	544205-002	*	*	*	1	PRESSER BAR BUSHING SET SCREW
19	552743	*	*	*	1	VIBRATING PRESSER BAR
20	552744	*	*	*	1	VIBRATING PRESSER BAR PIN
21	552745	*	*	*	1	VIBRATING PRESSER BAR PIN GUIDE
22	545340	*	*	*	2	VIBRATING PRESSER BAR PIN GUIDE SCREW
23	552659	*	*	*	1	PRESSER REGULATING THUMB SCREW
24	376424-383	*	*	*	1	PRESSER REGULATING THUMB SCREW LOCK NUT
25	552748	*	*	*	1	PRESSER BAR SPRING

NO	PART NO.	939A	939J	939K	QTY	DESCRIPTION
26	554584	*	*	*	1	PRESSER BAR SPRING GUIDE (UPPER)
27	554585	*	*	*	1	PRESSER BAR SPRING GUIDE (LOWER)
32	554465-017	*	*	*	1	LIFTING ROCK SHAFT CRANK SUPPORTING ARM SHAFT OIL WICK

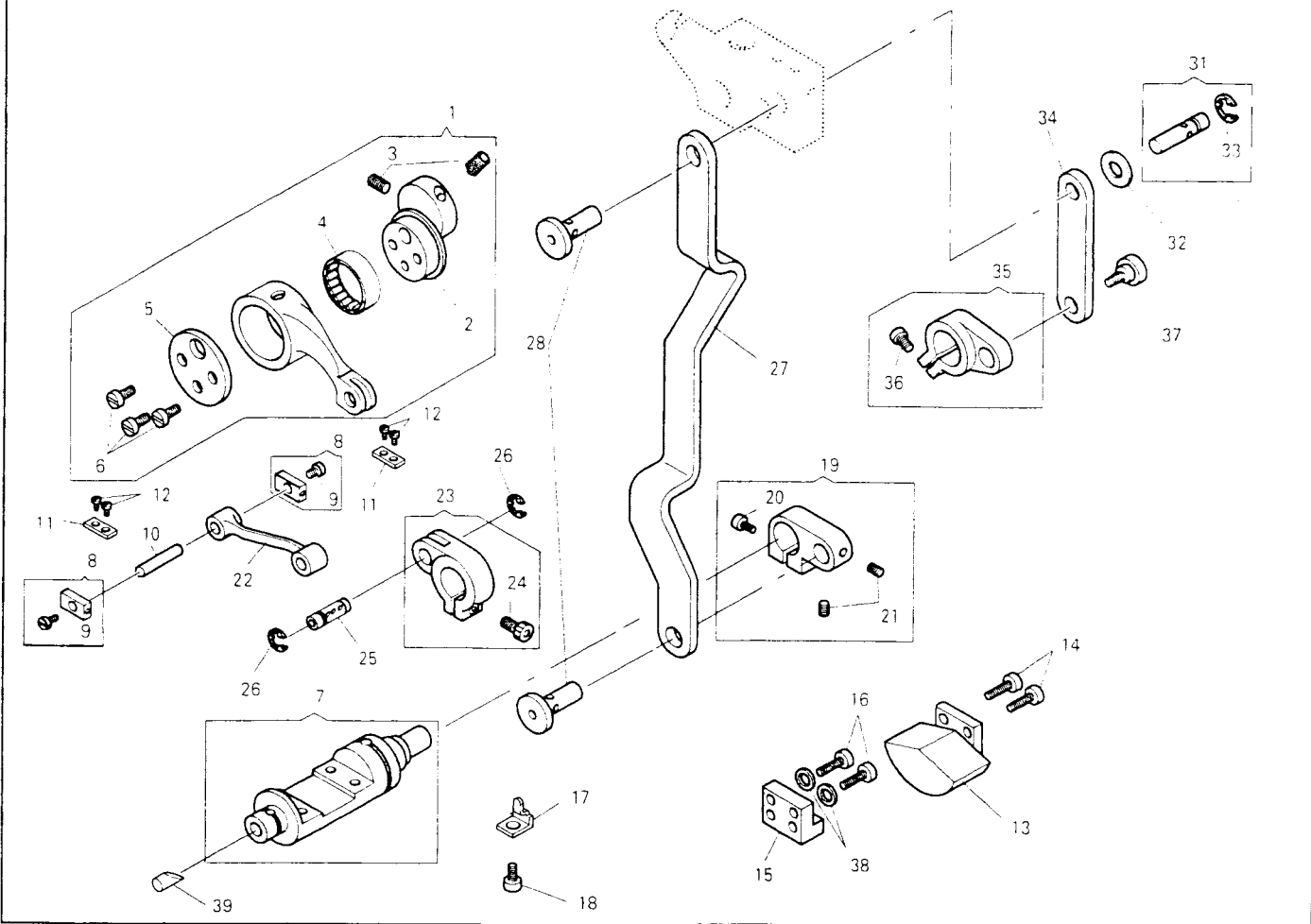
# PRESSER BAR LIFTER



NO.	PART NO.	939A	939J	939K	QTY	DESCRIPTION
1	554561	*	*	*	1	PRESSER BAR LIFTER
2	374541	*	*	*	1	PRESSER BAR LIFTER HINGE SCREW
3	554904	*	*	*	1	PRESSER BAR LIFTER ARM COMP.
3	552457	*	*	*	1	PRESSER BAR LIFTER ARM COMP.
4	374108-001	*	*	*	1	PRESSER BAR LIFTER ARM PINCH SCREW
5	552459	*	*	*	1	KNEE LIFTER ROCK LEVER LIFTING ROD
6	545356	*	*	*	1	KNEE LIFTER ROCK LEVER LIFTING ROD SCREW
7	554582	*	*	*	1	KNEE LIFTER ROCK LEVER COMP.
8	552462	*	*	*	1	KNEE LIFTER ROCK LEVER BALL STUD
9	541166-001	*	*	*	1	KNEE LIFTER ROCK LEVER BALL STUD LOCK NUT
10	374559	*	*	*	1	KNEE LIFTER ROCK LEVER SCREW
11	417113	*	*	*	1	KNEE LIFTER ROCK LEVER SPRING
12	554591	*	*	*	1	KNEE LIFTER SHAFT DRIVING ARM COMP.
13	374108-002	*	*	*	1	KNEE LIFTER SHAFT DRIVING ARM PINCH SCREW
14	552466	*	*	*	1	KNEE LIFTER SHAFT BUSHING
16	554575	*	*	*	1	KNEE LIFTER SHAFT
17	552472	*	*	*	1	KNEE LIFTER SHAFT LINK PIN
18	543860-005	*	*	*	1	KNEE LIFTER SHAFT LINK PIN SNAP RING
19	552473	*	*	*	1	KNEE LIFTER SHAFT LINK BLOCK
20	543860-005	*	*	*	1	KNEE LIFTER SHAFT LINK BLOCK SNAP RING
21	552474	*	*	*	1	TENSION RELEASE LEVER ROD COMP.
22	552471	*	*	*	1	KNEE LIFTER SHAFT LINK

NO.	PART NO.	939A	939J	939K	QTY	DESCRIPTION

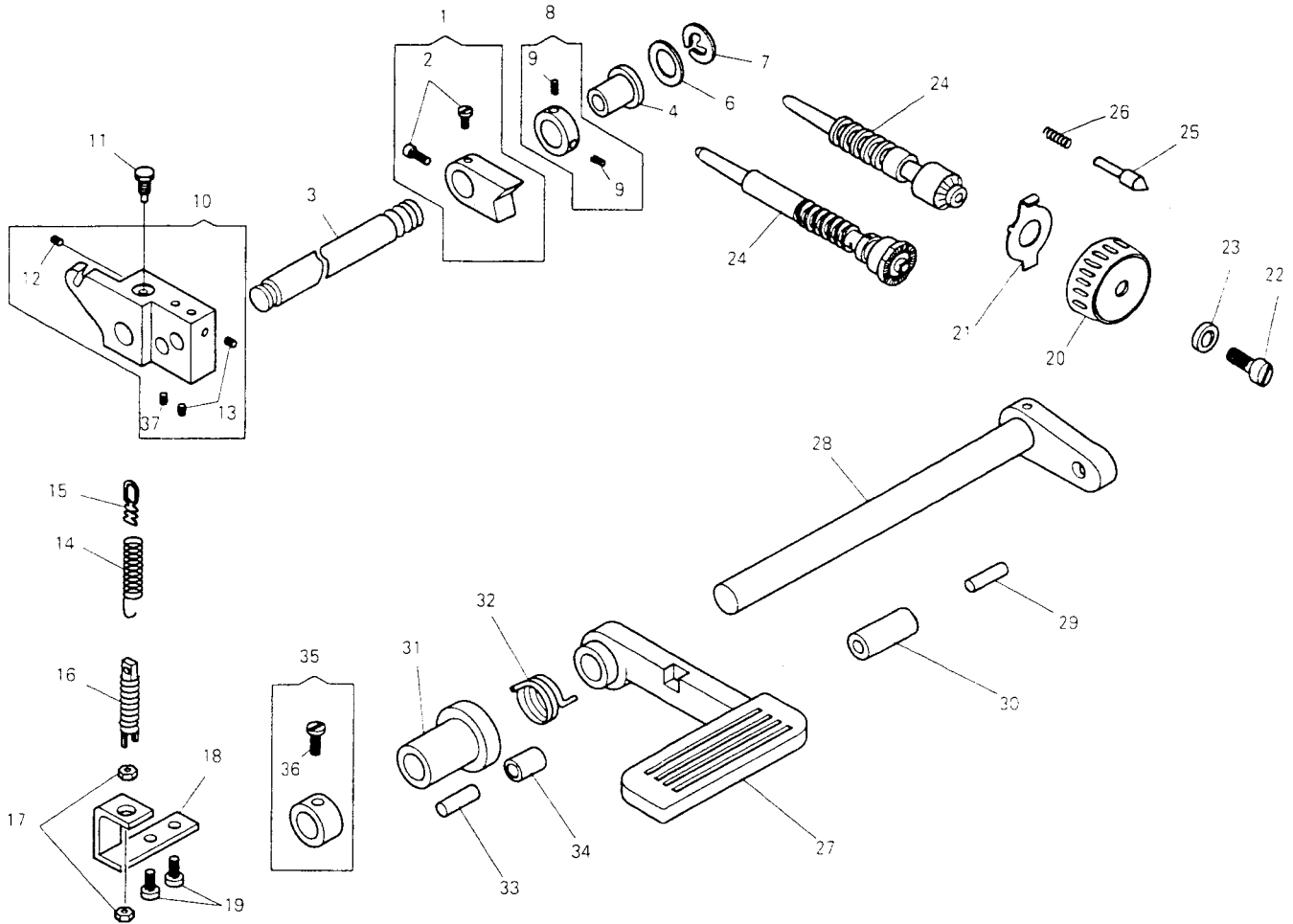
# FEED MECHANISM (FEED ROCK SHAFT DRIVING FRAME)



NO	PART NO.	939A	939J	939K	QTY	DESCRIPTION
1	552477	*	*	*	1	FEED DRIVING ECCENTRIC AND FEED DRIVING ECCENTRIC CONNECTION COMP.
2	552478	*	*	*	1	FEED DRIVING ECCENTRIC
3	544209-005	*	*	*	2	FEED DRIVING ECCENTRIC SET SCREW
4	552479	*	*	*	1	FEED DRIVING ECCENTRIC CONNECTION BEARING
5	552481	*	*	*	1	FEED DRIVING ECCENTRIC CONNECTION BEARING RETAINING PLATE
6	544212-051	*	*	*	3	FEED DRIVING ECCENTRIC CONNECTION BEARING RETAINING PLATE SCREW
7	552482	*	*	*	1	FEED ROCK SHAFT DRIVING FRAME COMP.
8	552484	*	*	*	2	FEED ROCK SHAFT DRIVING SLIDE BLOCK COMP.
9	549166	*	*	*	2	FEED ROCK SHAFT DRIVING SLIDE BLOCK SCREW
10	552485	*	*	*	1	FEED ROCK SHAFT DRIVING SLIDE BLOCK STUD
11	552486	*	*	*	2	FEED ROCK SHAFT DRIVING SLIDE BLOCK GUIDE PLATE
12	544212-053	*	*	*	4	FEED ROCK SHAFT DRIVING SLIDE BLOCK GUIDE PLATE SCREW
13	554493	*	*	*	1	FEED ROCK SHAFT DRIVING FRAME BALANCE WEIGHT
14	374106-006	*	*	*	2	FEED ROCK SHAFT DRIVING FRAME BALANCE WEIGHT SCREW
15	554494	*	*	*	1	FEED ROCK SHAFT DRIVING FRAME BALANCE WEIGHT BRACKET
16	374107-003	*	*	*	2	FEED ROCK SHAFT DRIVING FRAME BALANCE WEIGHT BRACKET SCREW
17	554810	*	*	*	1	FEED ROCK SHAFT DRIVING FRAME SUPPORT PLATE
18	544213-051	*	*	*	1	FEED ROCK SHAFT DRIVING FRAME SUPPORT PLATE SCREW

NO	PART NO.	939A	939J	939K	QTY	DESCRIPTION
19	554798	*	*	*	1	FEED ROCK SHAFT DRIVING FRAME LEVER COMP.
20	374107-004	*	*	*	1	FEED ROCK SHAFT DRIVING FRAME LEVER PINCH SCREW
21	544208-005	*	*	*	2	FEED ROCK SHAFT DRIVING FRAME LEVER STUD SET SCREW
22	552490	*	*	*	1	FEED ROCK SHAFT DRIVING LINK
23	554906	*	*	*	1	FEED ROCK SHAFT CRANK COMP.
24	374107-004	*	*	*	1	FEED ROCK SHAFT CRANK PINCH SCREW
25	552493	*	*	*	1	FEED ROCK SHAFT CRANK PIN
26	543801-006	*	*	*	2	FEED ROCK SHAFT CRANK PIN SNAP RING
27	554756	*	*	*	1	FEED REGULATING LINK
28	554797	*	*	*	2	FEED REGULATING LINK STUD
29	554785	*	*	*	1	FEED REVERSE LINK STUD COMP.
30	412226	*	*	*	1	FEED REVERSE LINK STUD THRUST WASHER
31	543571	*	*	*	1	FEED REVERSE LINK STUD SNAP RING
32	554757	*	*	*	1	FEED REVERSE LINK
33	554754	*	*	*	1	FEED REVERSE LEVER SHAFT CRANK COMP.
34	374107-004	*	*	*	1	FEED REVERSE LEVER SHAFT CRANK PINCH SCREW
35	549288	*	*	*	1	FEED REVERSE LEVER SHAFT CRANK HINGE SCREW
36	544840	*	*	*	2	FEED ROCK SHAFT DRIVING FRAME BALANCE WEIGHT BRACKET SPRING WASHER
37	555066	*	*	*	1	FEED ROCK SHFT DRIVING FARM E PLUG

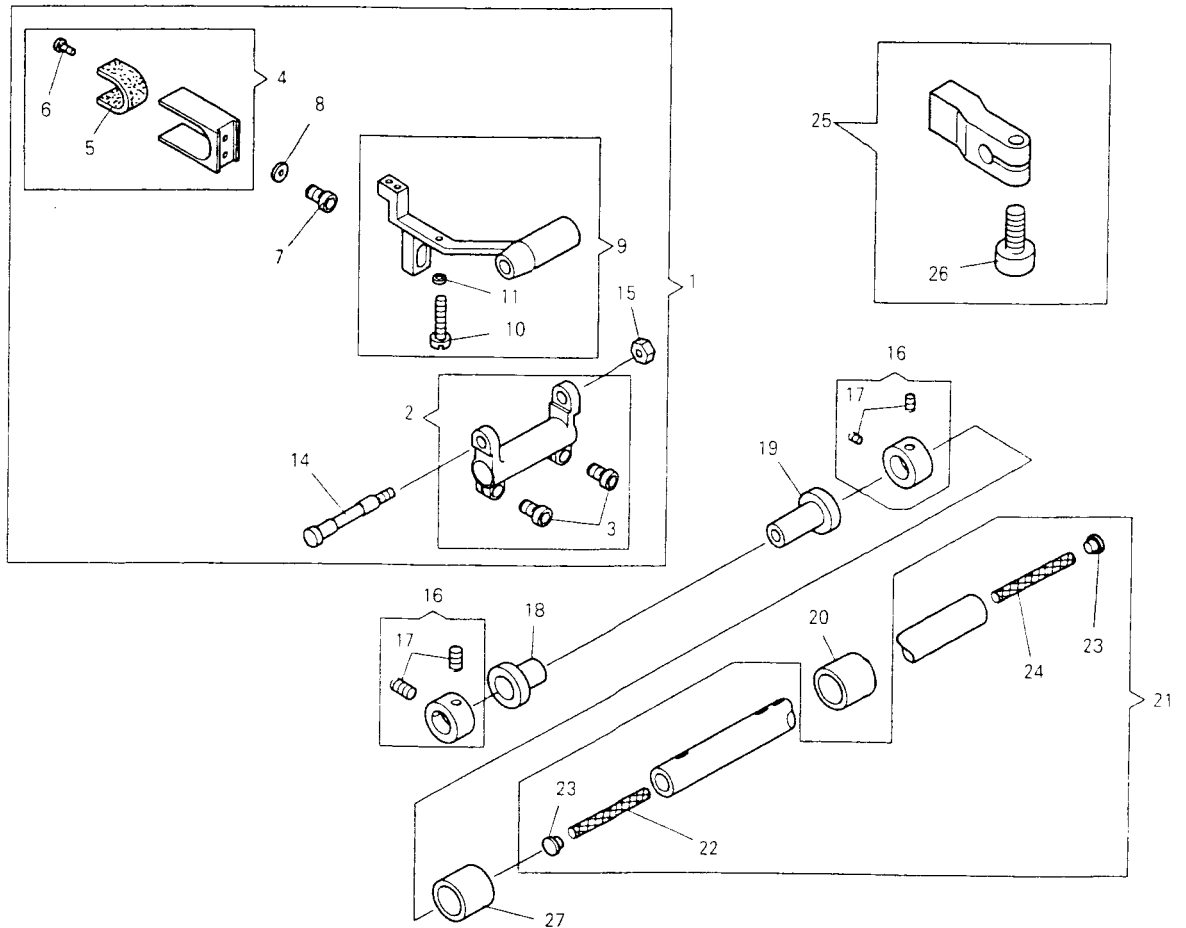
# FEED REGULATING DIAL, FEED REVERSE LEVER



NO.	PART NO.	939A	939J	939K	QTY	DESCRIPTION
1	552494	*	*	*	1	FEED REGULATOR COMP.
2	374300	*	*	*	2	FEED REGULATOR SCREW
3	552496	*	*	*	1	FEED REGULATOR SHAFT
4	552497	*	*	*	1	FEED REGULATOR SHAFT BUSHING
6	418340	*	*	*	1	FEED REGULATOR SHAFT THRUST WASHER
7	543801-013	*	*	*	1	FEED REGULATOR SHAFT SNAP RING
8	552719	*	*	*	1	FEED REGULATOR SHAFT COLLAR COMP.
9	544207-011	*	*	*	2	FEED REGULATOR SHAFT COLLAR SET SCREW
10	554752	*	*	*	1	FEED REGULATOR SHAFT ARM COMP.
11	368108	*	*	*	1	FEED REGULATOR SHAFT ARM POSITION SCREW
12	544205-001	*	*	*	1	FEED REGULATOR SHAFT ARM SET SCREW
13	544208-005	*	*	*	2	FEED REGULATING STUD SET SCREW
14	554499	*	*	*	1	FEED REGULATOR SHAFT ARM SPRING
15	554500	*	*	*	1	FEED REGULATOR SHAFT ARM SPRING HOOK (UPPER)
16	554498	*	*	*	1	FEED REGULATOR SHAFT ARM SPRING HOOK (LOWER)
17	541166-001	*	*	*	2	FEED REGULATOR SHAFT ARM SPRING HOOK (LOWER) LOCK NUT
18	554501	*	*	*	1	FEED REGULATOR SHAFT ARM SPRING HOOK RETAINER
19	544213-053	*	*	*	2	FEED REGULATOR SHAFT ARM SPRING HOOK RETAINER SCREW
20	552752	*	*	*	1	FEED REGULATING DIAL
21	544947	*	*	*	1	FEED REGULATING DIAL SERRATION PLATE
22	368362	*	*	*	1	FEED REGULATING DIAL CAP SCREW
23	368363	*	*	*	1	FEED REGULATING DIAL CAP SCREW WASHER
24	552515	*	*	-	1	FEED REGULATING STUD
24	554455	-	-	*	1	FEED REGULATING STUD

NO.	PART NO.	939A	939J	939K	QTY	DESCRIPTION
25	368114	*	*	*	1	FEED REGULATING DIAL LOCK PIN
26	545820	*	*	*	1	FEED REGULATING DIAL LOCK PIN SPRING
27	552516	*	*	*	1	FEED REVERSE LEVER
28	552518	*	*	*	1	FEED REVERSE LEVER SHAFT ARM COMP.
29	543831-001	*	*	*	1	FEED REVERSE LEVER SHAFT ARM PIN
30	552521	*	*	*	1	FEED REVERSE LEVER SHAFT ARM PIN COVER
31	368129	*	*	*	1	FEED REVERSE LEVER SHAFT BUSHING
32	554888	*	*	*	1	FEED REVERSE LEVER SPRING
33	375653	*	*	*	1	FEED REVERSE LEVER STOPPER PIN
34	375662	*	*	*	1	FEED REVERSE LEVER STOPPER PIN COVER
35	552552	*	*	*	1	FEED REVERSE LEVER SHAFT COLLAR COMP.
36	374062	*	*	*	1	FEED REVERSE LEVER SHAFT COLLAR SET SCREW
37	544208-005	*	*	*	1	FEED REVERSE LINK STUD SET SCREW

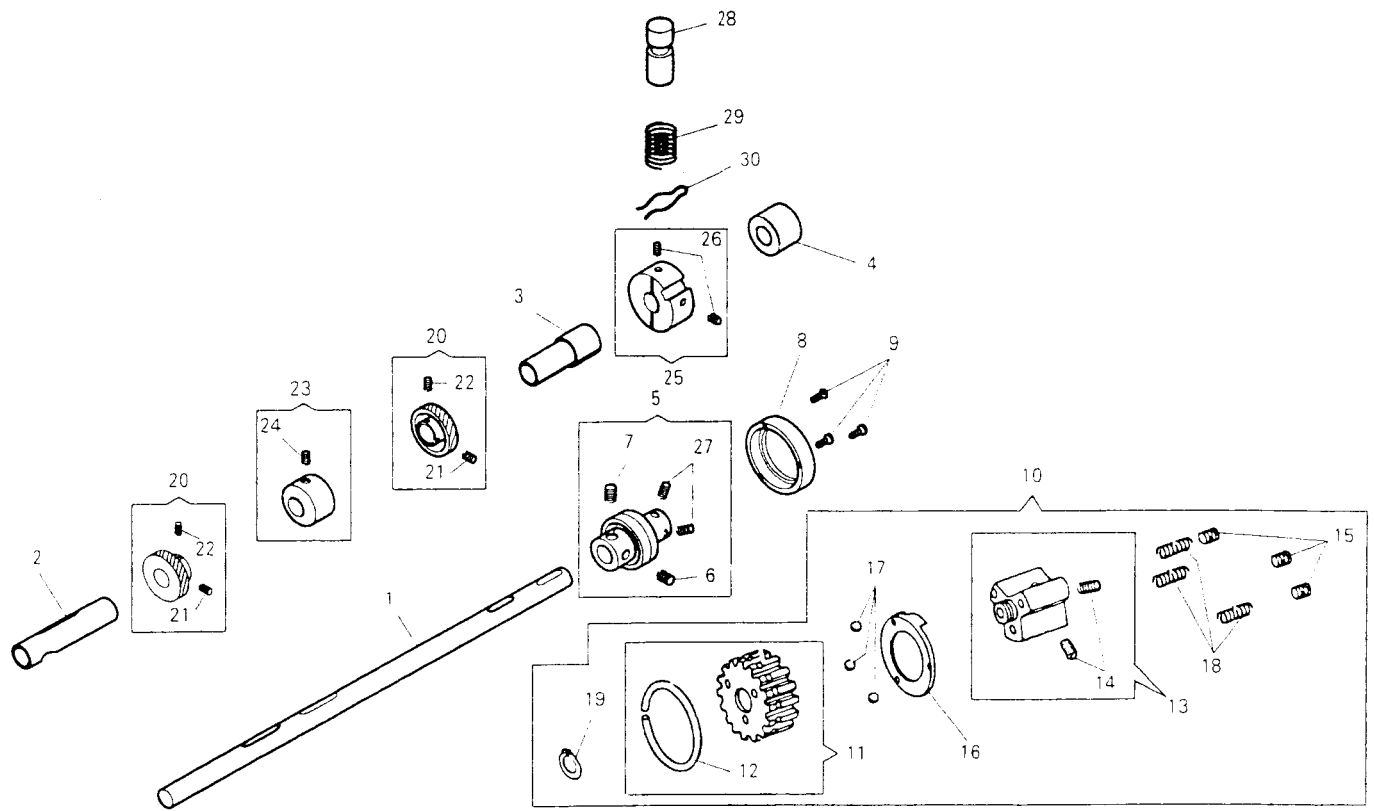
# FEED BAR, FEED DRIVING ROCK SHAFT



NO	PART NO.	939A	939J	939K	QTY	DESCRIPTION
1	554984	*	-	-	1	FEED BAR AND FEED DRIVING ROCK FRAME COMP.
1	554986	-	*	*	1	FEED BAR AND FEED DRIVING ROCK FRAME COMP.
2	554985	*	-	-	1	FEED DRIVING ROCK FRAME COMP.
2	554987	-	*	*	1	FEED DRIVING ROCK FRAME COMP.
3	374108-009	*	*	*	2	FEED DRIVING ROCK FRAME PINCH SCREW
4	412161	*	*	*	1	FEED LIFTING ECCENTRIC FORK COMP.
5	223655	*	*	*	1	FEED LIFTING ECCENTRIC FORK OILING FELT
6	549075	*	*	*	1	FEED LIFTING ECCENTRIC FORK OILING FELT SCREW
7	544411	*	*	*	1	FEED LIFTING ECCENTRIC FORK SCREW
8	543804-025	*	*	*	1	FEED LIFTING ECCENTRIC FORK SCREW WASHER
9	412183	*	-	-	1	FEED BAR COMP.
9	281090	-	*	*	1	FEED BAR COMP.
10	545391	*	*	*	1	FEED DOG SUPPORT SCREW
11	545437	*	*	*	1	FEED DOG SUPPORT SCREW NUT
14	412089	*	-	-	1	FEED BAR HINGE SCREW
14	281091	-	*	*	1	FEED BAR HINGE SCREW
15	545405	*	-	-	1	FEED BAR HINGE SCREW NUT
15	545428	-	*	*	1	FEED BAR HINGE SCREW NUT
16	508327	*	*	*	2	FEED ROCK SHAFT STOP COLLAR COMP.
17	154780	*	*	*	4	FEED ROCK SHAFT STOP COLLAR SET SCREW
18	552523	*	*	*	1	FEED ROCK SHAFT BUSHING (FRONT)
19	367397	*	*	*	1	FEED ROCK SHAFT BUSHING (MIDDLE)
20	552759	*	*	*	1	FEED ROCK SHAFT BUSHING (BACK)
21	552753	*	*	*	1	FEED ROCK SHAFT COMP.
22	554465-004	*	*	*	1	FEED ROCK SHAFT OIL PACKING (WICK) (LONG)
23	502987	*	*	*	2	FEED ROCK SHAFT OIL HOLE PLUG

NO	PART NO.	939A	939J	939K	QTY	DESCRIPTION
24	554465-015	*	*	*	1	FEED DRIVING ROCK SHAFT OIL PACKING (WICK) (SHORT)
25	552754	*	*	*	1	FEED DRIVING ROCK SHAFT CRANK COMP.
26	374108-009	*	*	*	1	FEED DRIVING ROCK SHAFT CRANK PINCH SCREW
27	555059	*	*	*	1	FEED ROCK SHAFT BUSHING (MIDDLE, RIGHT)

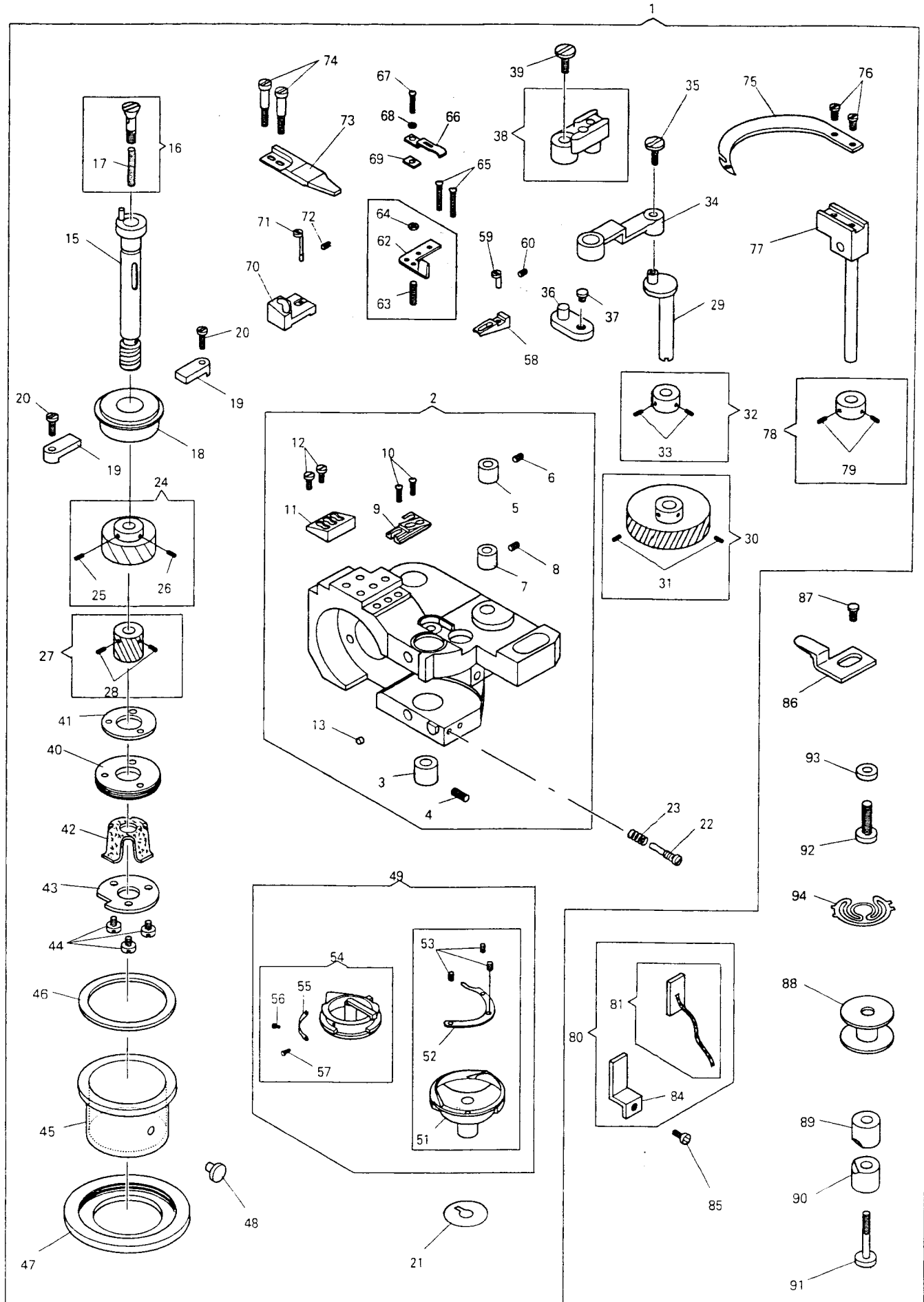
# HOOK DRIVING SHAFT, HOOK DRIVING SHAFT CONNECTION BELT PULLEY



NO	PART NO.	939A	939J	939K	QTY	DESCRIPTION
1	552528	*	*	*	1	HOOK DRIVING SHAFT
2	267195	*	*	*	1	HOOK SADDLE BEARING (LEFT)
3	416699	*	*	*	1	HOOK SADDLE BEARING (RIGHT)
4	552529	*	*	*	1	HOOK DRIVING SHAFT BUSHING (CENTER)
5	554676	*	*	*	1	HOOK DRIVING SHAFT BALL BEARING COMP.
6	544329	*	*	*	1	HOOK DRIVING SHAFT BALL BEARING COLLAR POSITION SCREW
7	544325	*	*	*	1	HOOK DRIVING SHAFT BALL BEARING COLLAR SET SCREW
8	267063	*	*	*	1	HOOK DRIVING SHAFT BALL BEARING RETAINING WASHER
9	544346	*	*	*	3	HOOK DRIVING SHAFT BALL BEARING RETAINING WASHER SCREW
10	412031	*	*	*	1	SAFETY CLUTCH COMP.
11	244760	*	*	*	1	SAFETY CLUTCH BELT PULLEY
12	202253	*	*	*	1	SAFETY CLUTCH BELT PULLEY SPRING
13	412032	*	*	*	1	SAFETY CLUTCH OVERLOAD PULLEY COMP.
14	544322	*	*	*	2	SAFETY CLUTCH OVERLOAD PULLEY SET SCREW
15	544331	*	*	*	3	SAFETY CLUTCH OVERLOAD PULLEY ADJUSTING SCREW
16	514453	*	*	*	1	SAFETY CLUTCH DISC
17	276025	*	*	*	3	SAFETY CLUTCH DRIVING BALL
18	514454	*	*	*	3	SAFETY CLUTCH DRIVING BALL SPRING
19	543802-014	*	*	*	1	SAFETY CLUTCH OVERLOAD PULLEY RETAINING RING
20	412034	*	*	*	2	HOOK DRIVING GEAR COMP.
21	544329	*	*	*	2	HOOK DRIVING GEAR POSITION SCREW
22	544325	*	*	*	2	HOOK DRIVING GEAR SET SCREW
23	412026	*	*	*	1	FEED LIFTING ECCENTRIC COMP
24	544329	*	*	*	1	FEED LIFTING ECCENTRIC SET SCREW

NO	PART NO.	939A	939J	939K	QTY	DESCRIPTION
25	554679	*	*	*	1	HOOK DRIVING SHAFT COLLAR COMP
26	544204-002	*	*	*	2	HOOK DRIVING SHAFT COLLAR SET SCREW
27	545174-452	*	*	*	2	HOOK DRIVING SHAFT BALL BEARING COLLAR SET SCREW
28	554678	*	*	*	1	FEED REGULATING STUD
29	270026	*	*	*	1	FEED REGULATING STUD SPRING
30	240245	*	*	*	1	FEED REGULATING STUD RETAINING SPRING

# HOOK SADDLE (RIGHT), HOOK

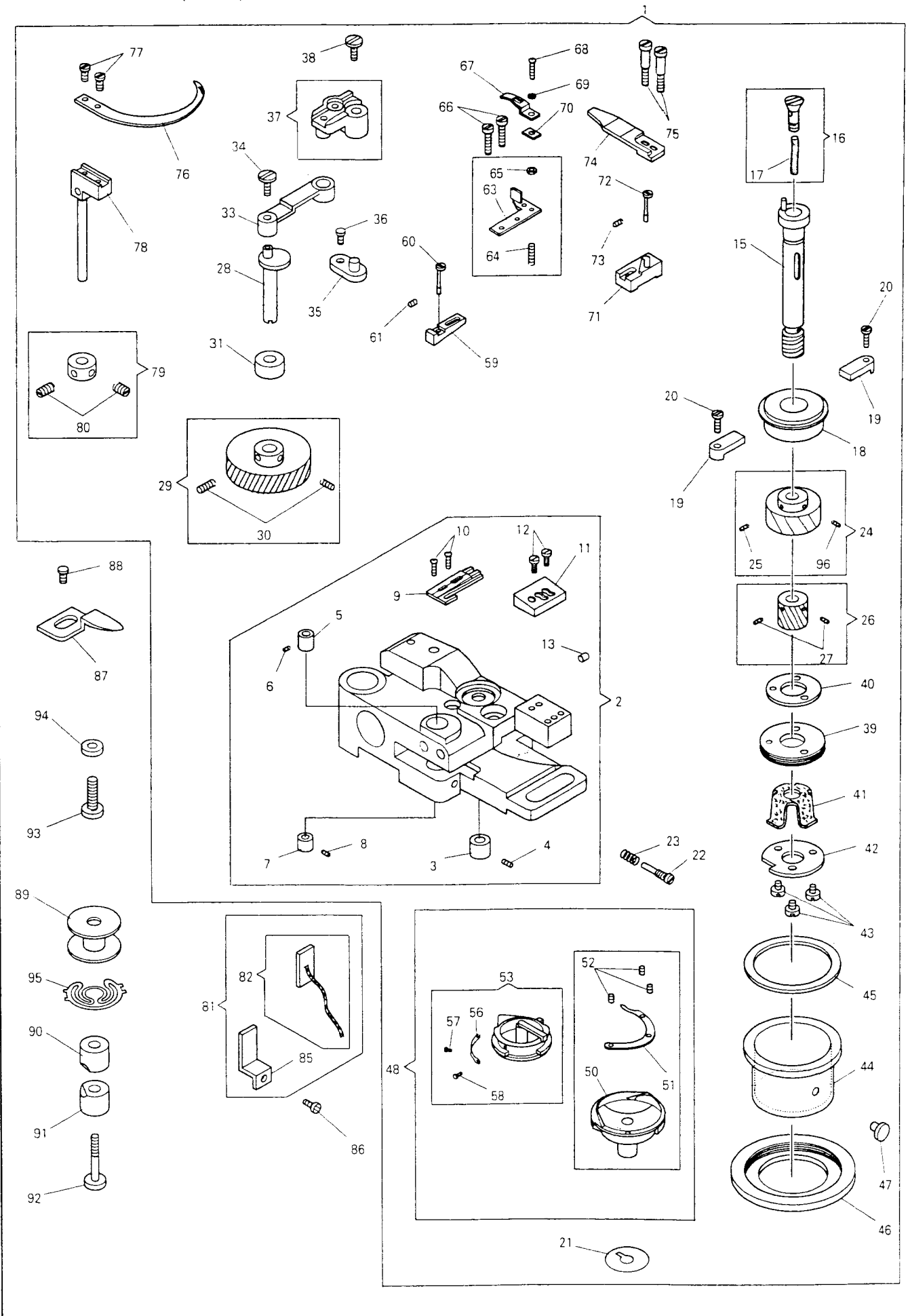


NO.	PART NO.	939A	939J	939K	QTY	DESCRIPTION
1	554907	*	-	-	1	HOOK SADDLE (RIGHT) WITH HOOK COMP.
1	554731	-	*	*	1	HOOK SADDLE (RIGHT) WITH HOOK COMP.
2	554908	*	-	-	1	HOOK SADDLE (RIGHT) COMP.
2	554732	-	*	*	1	HOOK SADDLE (RIGHT) COMP.
3	554643-002	*	*	*	1	HOOK SHAFT BUSHING (LOWER)
4	504020	*	*	*	1	HOOK SHAFT BUSHING (LOWER) SET SCREW
5	282784-001	*	*	*	1	BOBBIN CASE OPENER CAM SHAFT BUSHING (UPPER)
6	544207-011	*	*	*	1	BOBBIN CASE OPENER CAM SHAFT BUSHING (UPPER) SET SCREW
7	282784-002	*	*	*	1	BOBBIN CASE OPENER CAM SHAFT BUSHING (LOWER)
8	544207-011	*	*	*	1	BOBBIN CASE OPENER CAM SHAFT BUSHING (LOWER) SET SCREW
9	281039	-	*	*	1	THREAD PULLER SUPPORT
10	544211-052	-	*	*	2	ADJUSTING BLOCK (LOWER) SET SCREW
11	281040	-	*	*	1	STATIONARY KNIFE ADJUSTING BLOCK (LOWER)
12	544211-052	-	*	*	2	STATIONARY KNIFE ADJUSTING BLOCK (LOWER) SET SCREW
13	554641	*	*	*	1	HOOK SADDLE PLUG
15	554838	*	*	*	1	HOOK SHAFT COMP.
16	554648	*	*	*	1	HOOK SHAFT OIL WICK HOLDER COMP.
17	502928	*	*	*	1	HOOK SHAFT OIL FELT
18	267053	*	*	*	1	HOOK BALL BEARING
19	514173	*	*	*	2	HOOK BALL BEARING RETAINER
20	504010-452	*	*	*	2	HOOK BALL BEARING RETAINER SCREW
21	514170	*	*	*	4	HOOK SPACER
21	554913	*	*	*	(3)	HOOK SPACER
22	554839	*	*	*	1	OIL REGULATING SCREW
23	544958	*	*	*	1	OIL REGULATING SCREW SPRING
24	554919	*	*	*	1	HOOK DRIVING PINION COMP.
25	544325	*	*	*	1	HOOK DRIVING PINION SET SCREW
26	544329	*	*	*	1	HOOK DRIVING PINION POSITION SCREW
27	554645	*	*	*	1	BOBBIN CASE OPENER CAM SHAFT ACTUATING GEAR COMP.
28	544207-011	*	*	*	2	BOBBIN CASE OPENER CAM SHAFT ACTUATING GEAR SET SCREW
29	282788	*	*	*	1	BOBBIN CASE OPENER CAM SHAFT
30	282789	*	*	*	1	BOBBIN CASE OPENER CAM SHAFT GEAR COMP.
31	544207-011	*	*	*	2	BOBBIN CASE OPENER CAM SHAFT GEAR SET SCREW
32	282790	*	*	*	1	BOBBIN CASE OPENER CAM SHAFT COLLAR COMP.
33	544207-011	*	*	*	2	BOBBIN CASE OPENER CAM SHAFT COLLAR SET SCREW
34	282802	*	*	*	1	BOBBIN CASE OPENER CRANK LINK
35	544356	*	*	*	1	BOBBIN CASE OPENER CRANK LINK CAP SCREW
36	412283	*	*	*	1	BOBBIN CASE OPENER CRANK HINGE STUD
37	544383	*	*	*	1	BOBBIN CASE OPENER CRANK HINGE STUD SCREW
38	282792	*	*	*	1	BOBBIN CASE OPENER CRANK COMP.
39	544356	*	*	*	1	BOBBIN CASE OPENER CRANK CAP SCREW
40	554659	*	*	*	1	HOOK SADDLE OIL RESERVOIR BRACKET
41	554668	*	*	*	1	HOOK SADDLE OIL RESERVOIR BRACKET GASKET
42	281046	*	*	*	1	HOOK OIL FELT
43	554608	*	*	*	1	HOOK OIL FELT RETAINER
44	544211-003	*	*	*	3	HOOK OIL FELT RETAINER SCREW
45	554658	*	*	*	1	HOOK SADDLE OIL RESERVOIR
46	554661	*	*	*	1	HOOK SADDLE OIL RESERVOIR GASKET
47	554660	*	*	*	1	HOOK SADDLE OIL RESERVOIR RING
48	367314	*	*	*	1	HOOK SADDLE OIL RESERVOIR PLUG
49	554826	*	*	*	1	HOOK AND BOBBIN CASE COMP.
51	554828	*	*	*	1	HOOK (BODY)
52	555068	*	*	*	1	HOOK GIB
53	500520	*	*	*	3	HOOK GIB SCREW
54	281155	*	*	*	1	BOBBIN CASE COMP.
55	281157	*	*	*	1	BOBBIN CASE TENSION SPRING REGULATING SCREW

NO.	PART NO.	939A	939J	939K	QTY	DESCRIPTION
56	500519	*	*	*	1	BOBBIN CASE TENSION SPRING REGULATING SCREW
57	500518	*	*	*	1	BOBBIN CASE TENSION SPRING SCREW
58	281056	-	*	*	1	THREAD PULLER SUPPORT
59	543376	-	*	*	1	ADJUSTING BLOCK (UPPER) THREAD PULLER SUPPORT
60	544207-011	-	*	*	1	ADJUSTING BLOCK (UPPER) ECCENTRIC PIN SET SCREW
62	281055	-	*	*	1	THREAD PULLER SUPPORT
63	374475	-	*	*	1	TRAPPER ADJUSTING SCREW
64	541159	-	*	*	1	TRAPPER ADJUSTING SCREW NUT
65	374478	-	*	*	2	THREAD PULLER SUPPORT SCREW
66	281057	-	*	*	1	TRAPPER
67	544413	-	*	*	1	TRAPPER SET SCREW
68	408386	-	*	*	1	TRAPPER SET SCREW WASHER
69	548228	-	*	*	1	TRAPPER ADJUSTING WASHER
70	281059	-	*	*	1	(t=0.13M/M) STATIONARY KNIFE ADJUSTING BLOCK (UPPER)
71	281060	-	*	*	1	STATIONARY KNIFE ADJUSTING BLOCK (UPPER) ECCENTRIC PIN
72	544207-011	-	*	*	1	STATIONARY KNIFE ADJUSTING BLOCK (UPPER) ECCENTRIC PIN SET SCREW
73	281058	-	*	*	1	STATIONARY KNIFE
74	374476	-	*	*	2	STATIONARY KNIFE SET SCREW
75	281180-001	-	*	*	1	THREAD PULLER
76	544088	-	*	*	2	THREAD PULLER SCREW
77	282803	-	*	*	1	THREAD PULLER RETAINER BRACKET COMP.
78	281064	-	*	*	1	THREAD PULLER RETAINER BRACKET
79	544207-011	-	*	*	2	SHAFT COLLAR COMP. THREAD PULLER RETAINER BRACKET
80	552891	*	*	*	1	SHAFT COLLAR SET SCREW
81	552892	*	*	*	1	HOOK DRIVING PINION OIL FELT, OIL PACKING (WICK) COMP.
84	552893	*	*	*	1	HOOK DRIVING PINION OIL FELT BRACKET
85	544211-002	*	*	*	1	HOOK DRIVING PINION OIL FELT BRACKET SCREW
86	282793	*	*	*	1	BOBBIN CASE OPENER
87	549027	*	*	*	1	BOBBIN CASE OPENER SCREW
88	282768	*	*	*	1	BOBBIN
89	412115	*	*	*	1	PINCH SLEEVE (UPPER)
90	267139	*	*	*	1	PINCH SLEEVE (LOWER)
91	544364	*	*	*	1	PINCH SLEEVE SCREW
92	544334	*	*	*	1	HOOK SADDLE (RIGHT) SCREW
93	225585	*	*	*	1	HOOK SADDLE (RIGHT) SCREW WASHER
94	417269	-	*	*	1	ANTI SPILL SPRING



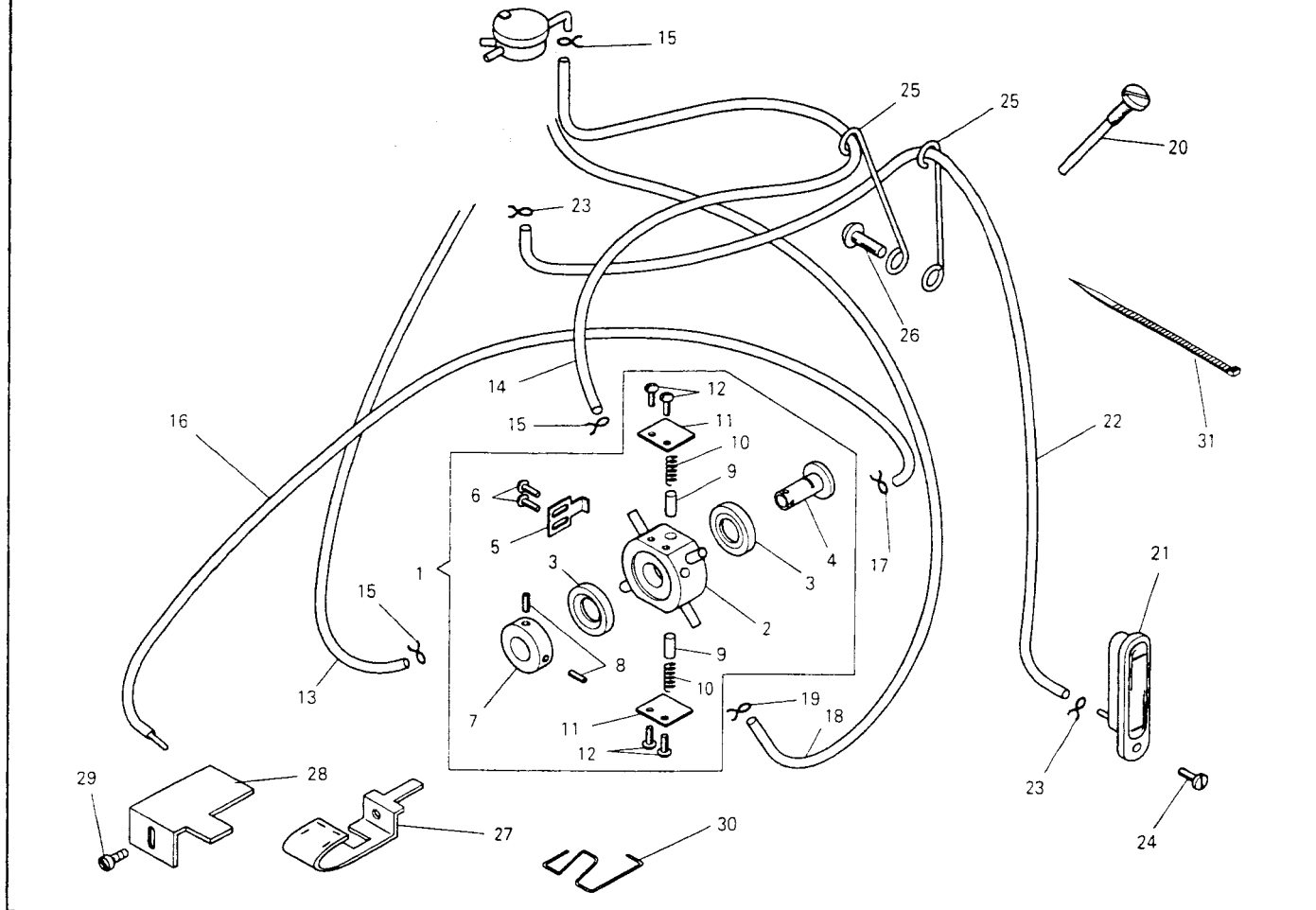
# HOOK SADDLE (LEFT), HOOK



NO.	PART NO.	939A	939J	939K	QTY	DESCRIPTION
1	554971	*	-	-	1	HOOK SADDLE (LEFT) WITH HOOK COMP.
1	554734	-	*	*	1	HOOK SADDLE (LEFT) WITH HOOK COMP.
2	554972	*	-	-	1	HOOK SADDLE (LEFT) COMP.
2	554735	-	*	*	1	HOOK SADDLE (LEFT) COMP.
3	554643-002	*	*	*	1	HOOK SHAFT BUSHING (LOWER)
4	504020	*	*	*	1	HOOK SHAFT BUSHING (LOWER) SET SCREW
5	282784-001	*	*	*	1	BOBBIN CASE OPENER CAM SHAFT BUSHING (UPPER)
6	544207-011	*	*	*	1	BOBBIN CASE OPENER CAM SHAFT BUSHING (UPPER) SET SCREW
7	282797	*	*	*	1	BOBBIN CASE OPENER CAM SHAFT BUSHING (LOWER)
8	544207-011	*	*	*	1	BOBBIN CASE OPENER CAM SHAFT BUSHING (LOWER) SET SCREW
9	281039	-	*	*	1	THREAD PULLER SUPPORT ADJUSTING BLOCK (LOWER)
10	544211-052	-	*	*	2	THREAD PULLER SUPPORT ADJUSTING BLOCK (LOWER) SET SCREW
11	281040	-	*	*	1	STATIONARY KNIFE ADJUSTING BLOCK (LOWER)
12	544211-052	-	*	*	2	STATIONARY KNIFE ADJUSTING BLOCK (LOWER) SET SCREW
13	554641	*	*	*	1	HOOK SADDLE PLUG
15	554838	*	*	*	1	HOOK SHAFT COMP.
16	554648	*	*	*	1	HOOK SHAFT OIL WICK HOLDER COMP.
17	502928	*	*	*	1	HOOK SHAFT OIL FELT
18	267053	*	*	*	1	HOOK BALL BEARING
19	514173	*	*	*	2	HOOK BALL BEARING RETAINER
20	504010-452	*	*	*	2	HOOK BALL BEARING RETAINER SCREW
21	514170	*	*	*	4	HOOK SPACER
21	554913	*	*	*	(3)	HOOK SPACER
22	554839	*	*	*	1	OIL REGULATING SCREW
23	544958	*	*	*	1	OIL REGULATING SCREW SPRING
24	554919	*	*	*	1	HOOK DRIVING PINION COMP.
25	544325	*	*	*	1	HOOK DRIVING PINION SET SCREW
26	554645	*	*	*	1	BOBBIN CASE OPENER CAM SHAFT ACTUATING GEAR COMP.
27	544207-011	*	*	*	2	BOBBIN CASE OPENER CAM SHAFT ACTUATING GEAR SET SCREW
28	282788	*	*	*	1	BOBBIN CASE OPENER CAM SHAFT
29	282789	*	*	*	1	BOBBIN CASE OPENER CAM SHAFT GEAR COMP.
30	544207-011	*	*	*	2	BOBBIN CASE OPENER CAM SHAFT GEAR SET SCREW
31	282798	*	*	*	1	BOBBIN CASE OPENER CAM SHAFT SPACER
33	282802	*	*	*	1	BOBBIN CASE OPENER CRANK LINK
34	544356	*	*	*	1	BOBBIN CASE OPENER CRANK LINK CAP SCREW
35	412283	*	*	*	1	BOBBIN CASE OPENER CRANK HINGE STUD
36	544383	*	*	*	1	BOBBIN CASE OPENER CRANK HINGE STUD SCREW
37	282792	*	*	*	1	BOBBIN CASE OPENER CRANK COMP.
38	544356	*	*	*	1	BOBBIN CASE OPENER CRANK CAP SCREW
39	554659	*	*	*	1	HOOK SADDLE OIL RESERVOIR BRACKET
40	554668	*	*	*	1	HOOK SADDLE OIL RESERVOIR BRACKET GASKET
41	281046	*	*	*	1	HOOK OIL FELT
42	554608	*	*	*	1	HOOK OIL FELT RETAINER
43	544211-003	*	*	*	3	HOOK OIL FELT RETAINER SCREW
44	554658	*	*	*	1	HOOK SADDLE OIL RESERVOIR
45	554661	*	*	*	1	HOOK SADDLE OIL RESERVOIR GASKET
46	554660	*	*	*	1	HOOK SADDLE OIL RESERVOIR RING
47	367314	*	*	*	1	HOOK SADDLE OIL RESERVOIR PLUG
48	554826	*	*	*	1	HOOK AND BOBBIN CASE COMP.
50	554828	*	*	*	1	HOOK (BODY)
51	555068	*	*	*	1	HOOK GIB
52	500520	*	*	*	3	HOOK GIB SCREW
53	281155	*	*	*	1	BOBBIN CASE COMP.
56	281157	*	*	*	1	BOBBIN CASE TENSION SPRING
57	500519	*	*	*	1	BOBBIN CASE TENSION SPRING REGULATING SCREW
58	500518	*	*	*	1	BOBBIN CASE TENSION SPRING SCREW
59	281056	-	*	*	1	THREAD PULLER SUPPORT ADJUSTING BLOCK (UPPER)

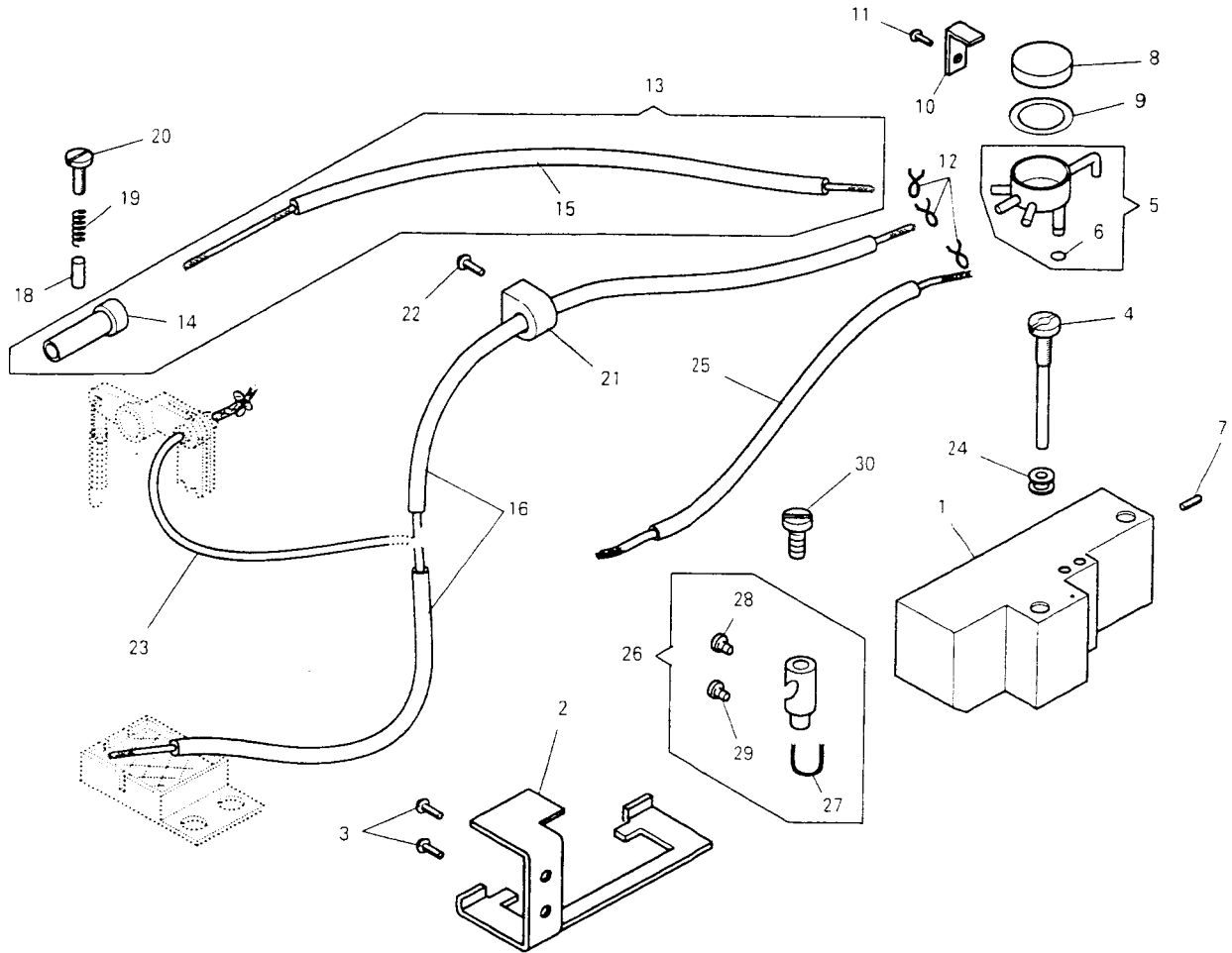
NO.	PART NO.	939A	939J	939K	QTY	DESCRIPTION
60	543376	-	*	*	1	THREAD PULLER SUPPORT ADJUSTING BLOCK (UPPER) ECCENTRIC PIN
61	544207-011	-	*	*	1	THREAD PULLER SUPPORT ADJUSTING BLOCK (UPPER) ECCENTRIC PIN SET SCREW
63	281055	-	*	*	1	THREAD PULLER SUPPORT
64	374475	-	*	*	1	TRAPPER ADJUSTING SCREW
65	541159	-	*	*	1	TRAPPER ADJUSTING SCREW NUT
66	374478	-	*	*	2	THREAD PULLER SUPPORT SCREW
67	281057	-	*	*	1	TRAPPER
68	544413	-	*	*	1	TRAPPER SET SCREW
69	408386	-	*	*	1	TRAPPER SET SCREW WASHER
70	548228	-	*	*	1	TRAPPER ADJUSTING WASHER (t=0.13M/M)
71	281059	-	*	*	1	STATIONARY KNIFE ADJUSTING BLOCK (UPPER)
72	281060	*	-	*	1	STATIONARY KNIFE ADJUSTING BLOCK (UPPER) ECCENTRIC PIN
73	544207-011	-	*	*	1	STATIONARY KNIFE ADJUSTING BLOCK (UPPER) ECCENTRIC PIN SET SCREW
74	281058	-	*	*	1	STATIONARY KNIFE
75	374476	-	*	*	2	STATIONARY KNIFE SET SCREW
76	281180-001	-	*	*	1	THREAD PULLER
77	544088	-	*	*	2	THREAD PULLER SCREW
78	282803	-	*	*	1	THREAD PULLER RETAINER BRACKET COMP.
79	281064	-	*	*	1	THREAD PULLER RETAINER BRACKET SHAFT COLLAR COMP.
80	544207-011	-	*	*	2	THREAD PULLER RETAINER BRACKET SHAFT COLLAR SET SCREW
81	552891	*	*	*	1	HOOK DRIVING PINION OIL FELT, OIL FELT BRACKET COMP.
82	552892	*	*	*	1	HOOK DRIVING PINION OIL FELT, OIL FELT BRACKET COMP.
85	552893	*	*	*	1	HOOK DRIVING PINION OIL FELT BRACKET
86	544211-002	*	*	*	1	HOOK DRIVING PINION OIL FELT BRACKET SCREW
87	282793	*	*	*	1	BOBBIN CASE OPENER
88	549027	*	*	*	1	BOBBIN CASE OPENER SCREW
89	282768	*	*	*	1	BOBBIN
90	412115	*	*	*	1	PINCH SLEEVE (UPPER)
91	267139	*	*	*	1	PINCH SLEEVE (LOWER)
92	544364	*	*	*	1	PINCH SLEEVE SCREW
93	414742	*	*	*	1	HOOK SADDLE (LEFT) SCREW
94	225585	*	*	*	1	HOOK SADDLE (LEFT) SCREW WASHER
95	417269	-	*	*	1	ANTI SPILL SPRING
96	544329	*	*	*	1	HOOK DRIVING PINION POSITION SCREW

# LUBRICATION (PLUNGER PUMP)



NO.	PART NO.	939A	939J	939K	QTY	DESCRIPTION	NO.	PART NO.	939A	939J	939K	QTY	DESCRIPTION
1	554346	*	*	*	1	PLUNGER PUMP COMP	30	554859	*	*	*	1	OIL REMOVING LINT SCREEN RETAINER
2	554347	*	*	*	1	PLUNGER PUMP (BODY) COMP.	31	411584	*	*	*	1	OIL TUBE RETAINER
3	554349	*	*	*	2	OIL SEAL							
4	554351	*	*	*	1	PLUNGER PUMP ROTOR							
5	554353	*	*	*	1	PLUNGER PUMP ROTER RETAINER							
6	544211-002	*	*	*	2	PLUNGER PUMP ROTER RETAINER SCREW							
7	554352	*	*	*	1	PLUNGER PUMP ROTOR COLLAR							
8	549293	*	*	*	2	PLUNGER PUMP ROTOR COLLAR SET SCREW							
9	540556	*	*	*	2	PLUNGER PUMP PISTON							
10	410710	*	*	*	2	PLUNGER PUMP PISTON SPRING							
11	554354	*	*	*	2	PLUNGER PUMP PISTON SPRING RETAINER							
12	544211-002	*	*	*	4	PLUNGER PUMP PISTON SPRING RETAINER SCREW							
13	552826	*	*	*	1	OIL TUBE (SUCTION)							
14	552827	*	*	*	1	OIL TUBE (DISCHARGE)							
15	552809	*	*	*	3	OIL TUBE CLIP							
16	552833	*	*	*	1	OIL REMOVING TUBE (SUCTION) COMP.							
17	552810	*	*	*	1	OIL REMOVING TUBE CLIP							
18	554464	*	*	*	1	OIL REMOVING TUBE (DISCHARGE) CLIP							
19	552810	*	*	*	1	OIL REMOVING TUBE (DISCHARGE) CLIP							
20	374543	*	*	*	1	PLUNGER PUMP SUPPORT SCREW							
21	552546-401	*	*	*	1	OIL GAUGE COMP.							
22	552828	*	*	*	1	OIL TUBE (FOR OIL GAUGE)							
23	552809	*	*	*	2	OIL TUBE (FOR OIL GAUGE) CLIP							
24	545071	*	*	*	1	OIL GAUGE SCREW							
25	554537	*	*	*	2	OIL TUBE RETAINER							
26	544217-052	*	*	*	1	OIL TUBE RETAINER SCREW							
27	554861	*	*	*	1	OIL REMOVING LINT SCREEN BRACKET							
28	554857	*	*	*	1	OIL REMOVING LINT SCREEN BRACKET							
29	544269	*	*	*	1	OIL REMOVING LINT SCREEN BRACKET SCREW							

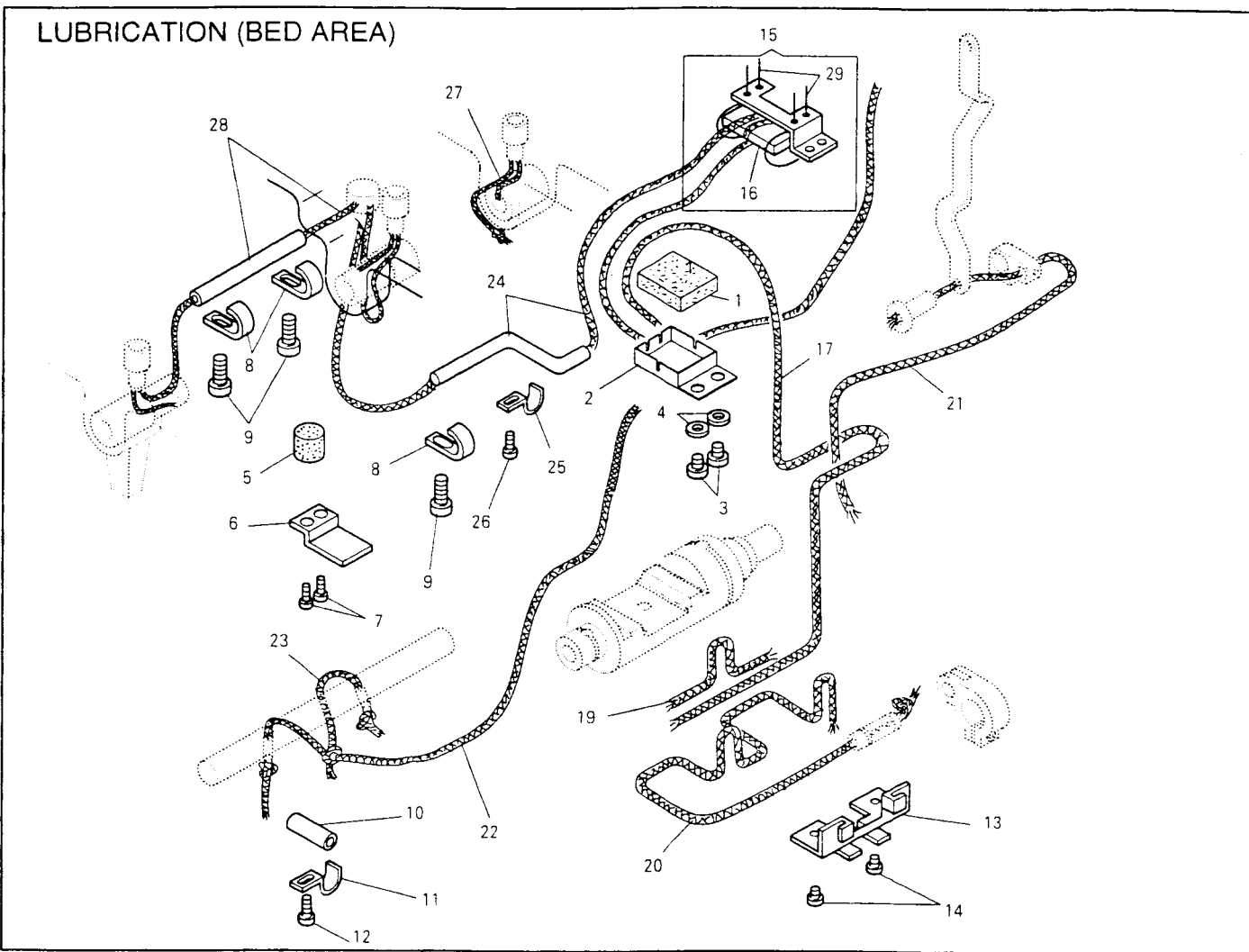
# LUBRICATION (OIL RESERVOIR)



NO.	PART NO.				QTY	DESCRIPTION
		939A	939J	939K		
1	552548	*	*	*	1	OIL RESERVOIR
2	554574	*	*	*	1	OIL RESERVOIR BRACKET
3	374399-002	*	*	*	2	OIL RESERVOIR BRACKET SCREW
4	374560	*	*	*	1	OIL SUPPLY SLEEVE SCREW
5	554362	*	*	*	1	OIL DISTRIBUTOR AND O-RING COMP.
6	543871-006	*	*	*	1	OIL DISTRIBUTOR O-RING
7	544202-002	*	*	*	1	OIL DISTRIBUTOR SCREW
8	552507	*	*	*	1	OIL DISTRIBUTOR CAP
9	554439	*	*	*	1	OIL DISTRIBUTOR CAP O-RING
10	552476	*	*	*	1	OIL DISTRIBUTOR CAP RETAINER
11	544216-001	*	*	*	1	OIL DISTRIBUTOR CAP RETAINER SCREW
12	552809	*	*	*	3	OIL DISTRIBUTOR TUBE CLIP
13	554314	*	*	*	1	TAKE-UP LEVER OIL TUBE, OIL FLOW ADJUSTING RUBBER SLEEVE COMP.
14	554313	*	*	*	1	TAKE-UP LEVER OIL FLOW ADJUSTING RUBBER SLEEVE
15	552830	*	*	*	1	TAKE-UP LEVER OIL TUBE AND WICK COMP.
16	552831	*	*	*	1	OIL TUBE (FOR BED) COMP.
18	554311	*	*	*	1	TAKE-UP LEVER OIL FLOW ADJUSTING PIN
19	554863	*	*	*	1	TAKE-UP LEVER OIL FLOW ADJUSTING SCREW SPRING
20	544290	*	*	*	1	TAKE-UP LEVER OIL FLOW ADJUSTING SCREW
21	554528	*	*	*	1	OIL FLOW ADJUSTING COLLAR
22	545136-452	*	*	*	1	OIL FLOW ADJUSTING COLLAR SCREW
23	554523	*	*	*	1	FEED REGULATOR SHAFT ARM STUD OIL WICK
24	543883	*	*	*	1	OIL RESERVOIR GROMMETS
25	554844	*	*	*	1	OIL TUBE (FOR LIFTING ECC CONNECTION) COMP.
26	554795	*	*	*	1	LIFTING ECC. CONNECTION OIL WICK SUPPORT COMP.
27	554465-016	*	*	*	1	LIFTING ECC. CONNECTION OIL WICK
28	544212-001	*	*	*	1	LIFTING ECC. CONNECTION OIL WICK SUPPORT SET SCREW

NO.	PART NO.				QTY	DESCRIPTION
		939A	939J	939K		
29	544211-001	*	*	*	1	LIFTING ECC. CONNECTION OIL WICK SET SCREW
30	544214-005	*	*	*	1	LIFTING ECC. CONNECTION OIL WICK SUPPORT SCREW

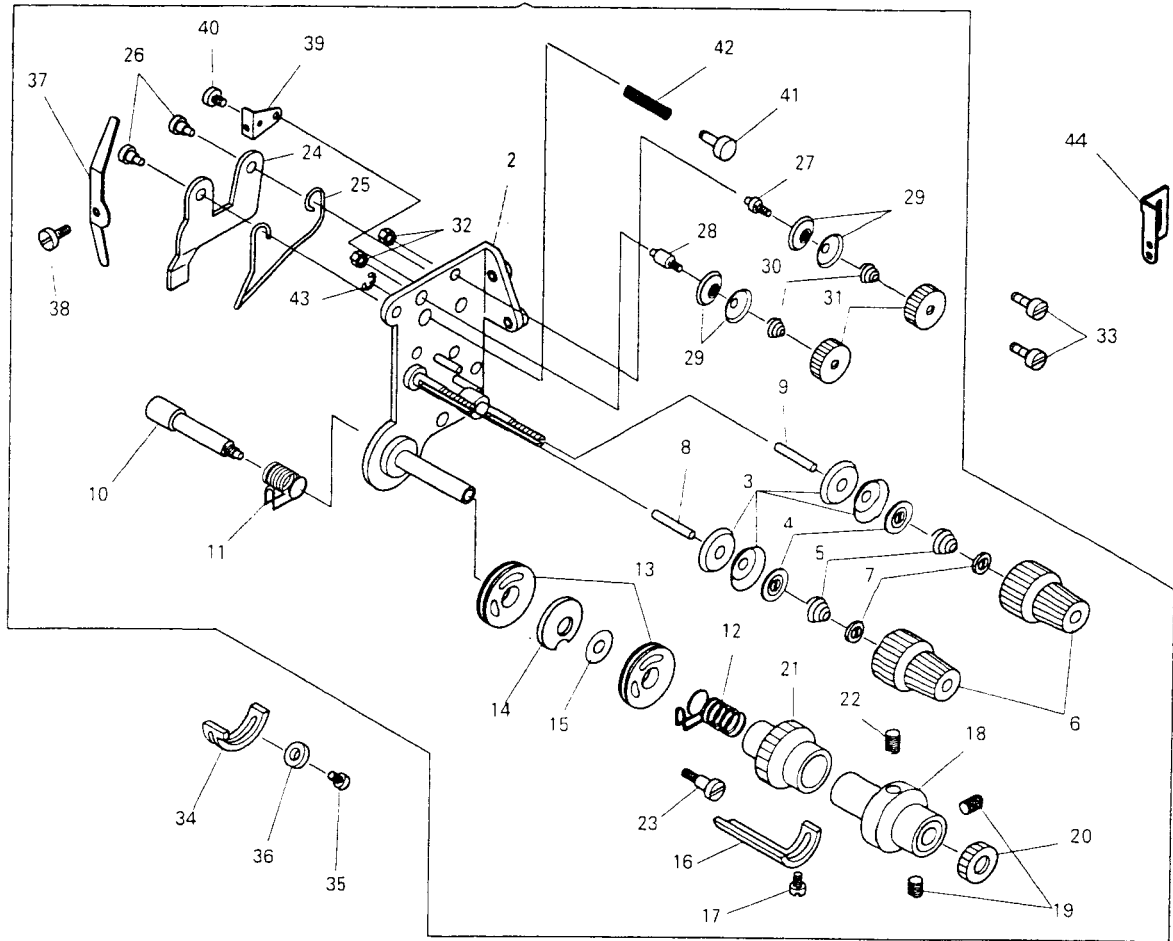
# LUBRICATION (BED AREA)



NO	PART NO.	939A	939J	939K	QTY	DESCRIPTION
1	552551	*	*	*	1	BED OIL FELT
2	552552	*	*	*	1	BED OIL FELT BARCKET
3	544212-052	*	*	*	2	BED OIL FELT BRACKET SCREW
4	543803-003	*	*	*	2	BED OIL FELT BRACKET SCREW WASHER
5	552553	*	*	*	1	HOOK DRIVING SHAFT OIL FELT
6	552554	*	*	*	1	HOOK DRIVING SHAFT OIL FELT BRACKET
7	544212-051	*	*	*	2	HOOK DRIVING SHAFT OIL FELT BRACKET SCREW
8	552555	*	*	*	3	HOOK DRIVING SHAFT OIL WICK TUBE RETAINER
9	544212-051	*	*	*	3	HOOK DRIVING SHAFT OIL WICK TUBE RETAINER SCREW
10	552556	*	*	*	1	FEED ROCK SHAFT OIL WICK TUBE
11	418604	*	*	*	1	FEED ROCK SHAFT OIL WICK TUBE RETAINER
12	544212-051	*	*	*	1	FEED ROCK SHAFT OIL WICK TUBE RETAINER SCREW
13	552557	*	*	*	1	FEED ROCK SHAFT DRIVING FRAME OIL WICK BRACKET
14	544212-001	*	*	*	2	FEED ROCK SHAFT DRIVING FRAME OIL WICK BRACKET SCREW
15	554440	*	*	*	1	FEED DRIVING ECCENTRIC CONNECTION FELT COMP
16	554441	*	*	*	1	FEED DRIVING ECCENTRIC CONNECTION FELT
17	554465-006	*	*	*	1	FEED ROCK SHAFT DRIVING FRAME OIL WICK (LONG)
19	554524	*	*	*	1	FEED ROCK SHAFT DRIVING LINK OIL WICK
20	554465-007	*	*	*	1	FEED ROCK SHAFT CRANK PIN OIL WICK
21	554465-001	*	*	*	1	NEEDLE BAR ROCK FRAME ROCK SHAFT CRANK OIL WICK
22	554465-013	*	*	*	1	FEED ROCK SHAFT OIL WICK

NO	PART NO.	939A	939J	939K	QTY	DESCRIPTION
23	554465-012	*	*	*	1	FEED ROCK SHAFT OIL WICK (RIGHT)
24	554467	*	*	*	1	HOOK DRIVING SHAFT OIL TUBE AND WICK
25	418604	*	*	*	1	HOOK DRIVING SHAFT OIL TUBE RETAINER (SMALL)
26	544212-051	*	*	*	1	HOOK DRIVING SHAFT OIL TUBE RETAINER (SMALL) SCREW
27	554465-010	*	*	*	1	HOOK DRIVING SHAFT BUSHING (CENTER) OIL WICK
28	554468	*	*	*	1	HOOK DRIVING SHAFT BUSHING (FRONT) OIL TUBE COMP.
29	554781	*	*	*	2	FEED DRIVING ECCENTRIC CONNECTION FELT CORD.

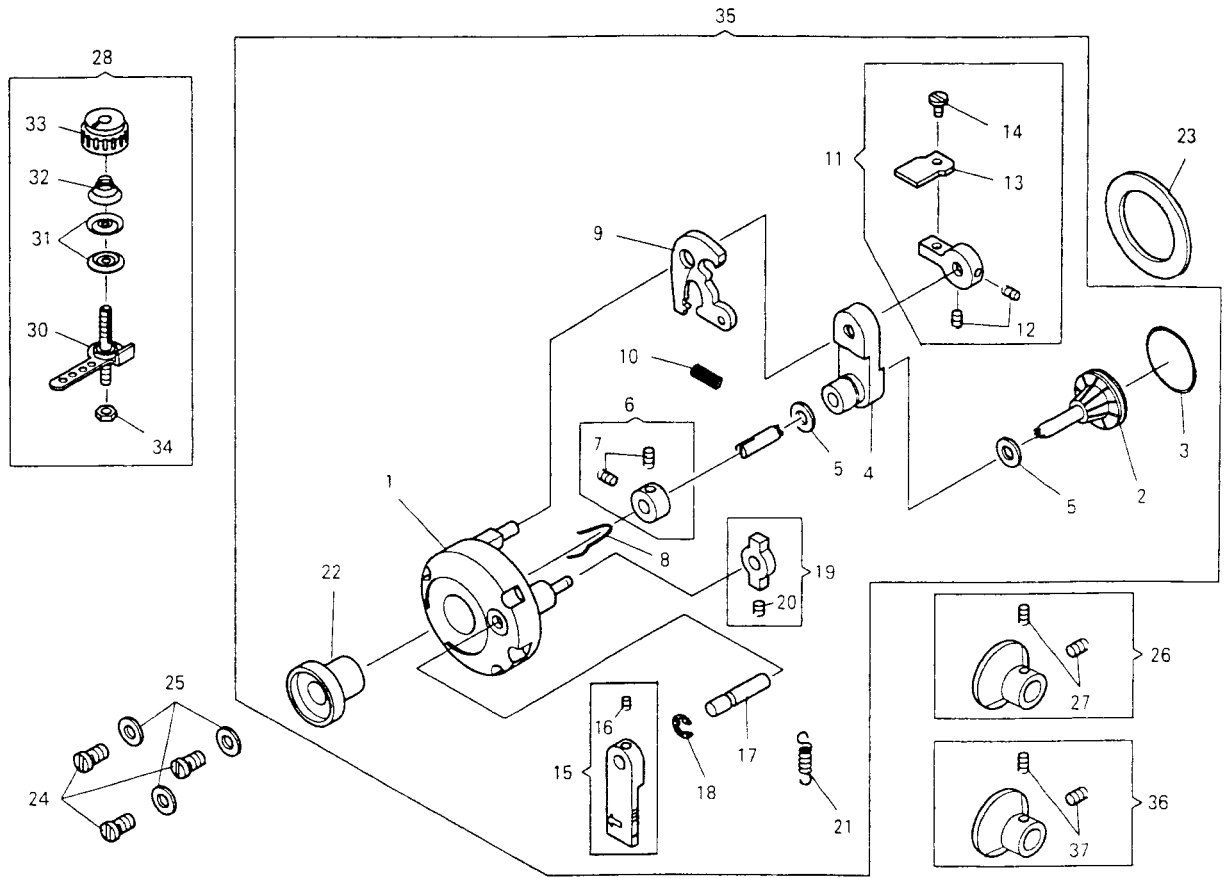
# TENSION



NO.	PART NO.	939A	939J	939K	QTY	DESCRIPTION
1	552558	*	*	*	1	TENSION BRACKET COMP.
1	554931	*	*	*	1	TENSION BRACKET COMP.
2	552559	*	*	*	1	TENSION BRACKET BODY COMP.
3	2102	*	*	*	4	TENSION DISC
4	414273	*	*	*	2	TENSION RELEASE WASHER
5	552836	*	*	*	2	TENSION SPRING
6	552838	*	*	*	2	TENSION REGULATING THUMB NUT
7	411154	*	*	*	2	TENSION REGULATING THUMB NUT WASHER
8	552563-001	*	*	*	1	TENSION RELEASE PLUNGER (SHORT)
9	552563-003	*	*	*	1	TENSION RELEASE PLUNGER (LONG)
10	552843	*	*	*	1	THREAD CONTROLLER STUD
11	412407	*	*	*	1	THREAD CONTROLLER SPRING (BACK)
12	552842	*	*	*	1	THREAD CONTROLLER SPRING (FRONT)
13	412202	*	*	*	2	THREAD CONTROLLER DISC
14	552900	*	*	*	1	THREAD CONTROLLER DISC WASHER (LARGE)
15	367380	*	*	*	1	THREAD CONTROLLER DISC WASHER (SMALL)
16	552839	*	*	*	1	THREAD CONTROLLER SPRING (FRONT) STOP
17	544211-001	*	*	*	1	THREAD CONTROLLER SPRING (FRONT) STOP SCREW
18	552840	*	*	*	1	THREAD CONTROLLER SPRING HOLDER SLLEEVE
19	544202-002	*	*	*	2	THREAD CONTROLLER SPRING HOLDER SLLEEVE SCREW
20	552841	*	*	*	1	THREAD CONTROLLER STUD NUT
21	552845	*	*	*	1	THREAD CONTROLLER SPRING HOLDER
22	544203-001	*	*	*	1	THREAD CONTROLLER SPRING HOLDER SCREW
23	414770	*	*	*	1	THREAD CONTROLLER DISC SCREW
24	417124	*	*	*	1	TENSION RELEASE PLATE
25	412200	*	*	*	1	TENSION RELEASE PLATE SPRING

NO.	PART NO.	939A	939J	939K	QTY	DESCRIPTION
26	544343	*	*	*	2	TENSION RELEASE PLATE SCREW
27	552567	*	*	*	1	PRE-TENSION STUD (SHORT)
28	552568	*	*	*	1	PRE-TENSION STUD (LONG)
29	417122	*	*	*	4	PRE-TENSION DISC
30	417123	*	*	*	2	PRE-TENSION SPRING
31	414784	*	*	*	2	PRE-TENSION THUMB NUT
32	414783	*	*	*	2	PRE-TENSION STUD LOCK NUT
33	549168	*	*	*	2	TENSION BRACKET SCREW
34	412419	*	*	*	1	THREAD CONTROLLER SPRING (BACK) STOP
35	545092	*	*	*	1	THREAD CONTROLLER SPRING (BACK) STOP SCREW
36	543805-003	*	*	*	1	THREAD CONTROLLER SPRING (BACK) STOP SCREW WASHER
37	417126	*	*	*	1	TENSION RELEASE LEVER
38	414786	*	*	*	1	TENSION RELEASE LEVER SCREW
39	417125	*	*	*	1	TENSION RELEASE LEVER BRACKET
40	414785	*	*	*	1	TENSION RELEASE LEVER BRACKET SCREW
41	417127	*	*	*	1	TENSION RELEASE BUTTON
42	417128	*	*	*	1	TENSION RELEASE BUTTON SPRING
43	543801-006	*	*	*	1	TENSION RELEASE BUTTON RETAINING RING
44	554682	*	*	*	1	ARM THREAD GUIDE

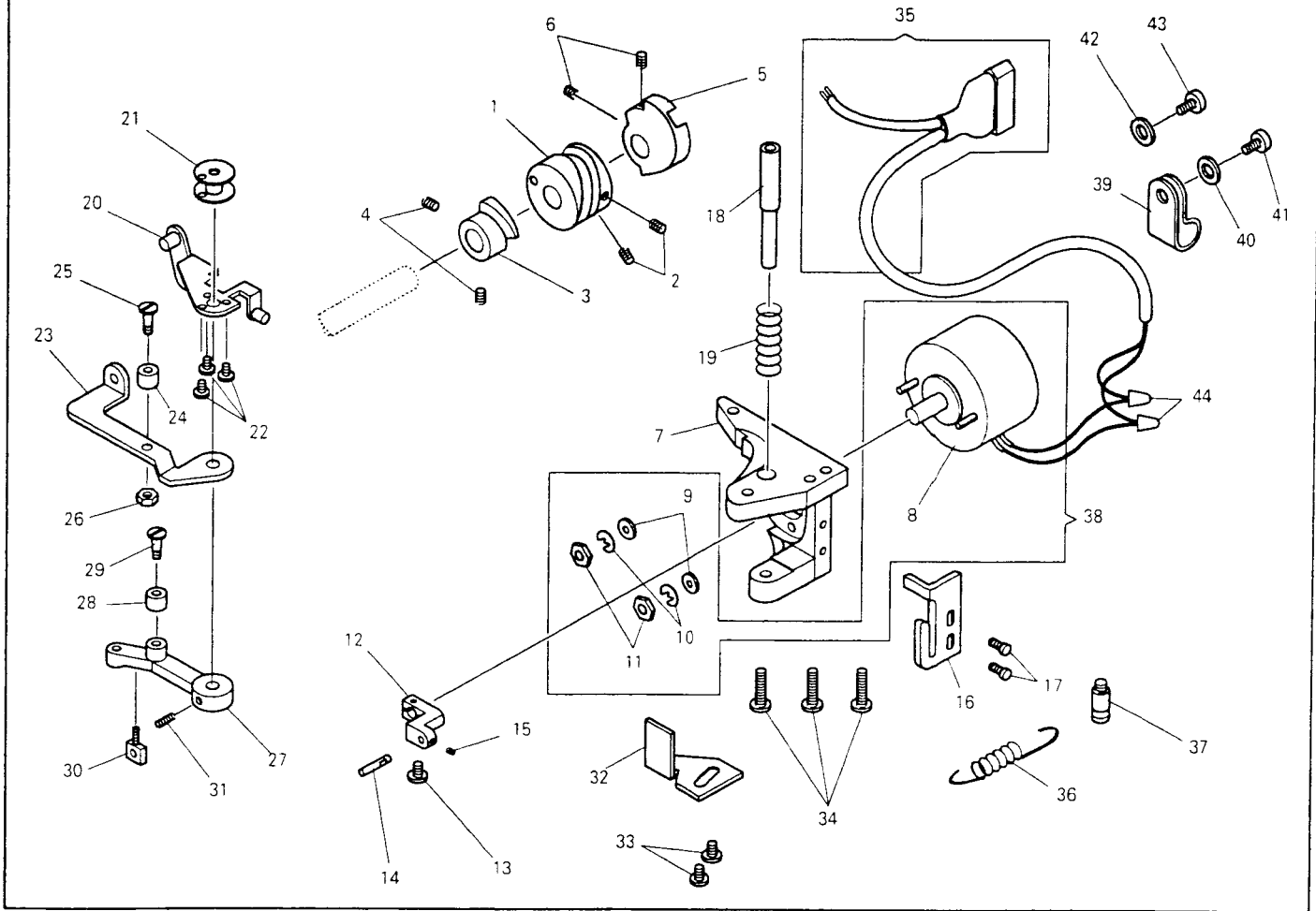
# BOBBIN WINDER



NO.	PART NO.	939A	939J	939K	QTY	DESCRIPTION
1	552570	*	*	*	2	BOBBIN WINDER (BODY)
2	552573	*	*	*	2	BOBBIN WINDER PULLEY
3	543871-020	*	*	*	2	BOBBIN WINDER PULLEY RING
4	552575	*	*	*	2	BOBBIN WINDER BRACKET
5	546844	*	*	*	4	BOBBIN WINDER SPINDLE THRUST WASHER
6	282758	*	*	*	2	BOBBIN WINDER SPINDLE STOP COLLAR COMPLETE
7	544206-011	*	*	*	4	BOBBIN WINDER SPINDLE STOP COLLAR SET SCREW
8	282995	*	*	*	2	BOBBIN WINDER SPINDLE SPRING
9	282757	*	*	*	2	BOBBIN WINDER BRACKET ACTUATING PLATE
10	282994	*	*	*	2	BOBBIN WINDER BRACKET SPRING
11	552576	*	*	*	2	BOBBIN WINDER STOPPER BRACKET COMPLETE
12	544207-013	*	*	*	4	BOBBIN WINDER STOPPER BRACKET SCREW
13	552577	*	*	*	2	BOBBIN WINDER STOPPER
14	374398-002	*	*	*	2	BOBBIN WINDER STOPPER SCREW
15	552578	*	*	*	2	BOBBIN WINDER STOP LATCH
16	544208-005	*	*	*	2	COMPLETE BOBBIN WINDER STOP LATCH SET SCREW
17	368025	*	*	*	2	BOBBIN WINDER STOP LATCH STUD
18	543860-005	*	*	*	2	BOBBIN WINDER STOP LATCH STUD SNAP RING
19	368026	*	*	*	2	BOBBIN WINDER REGULATOR COMPLETE
20	544208-005	*	*	*	2	BOBBIN WINDER REGULATOR SET SCREW
21	544865	*	*	*	2	BOBBIN WINDER SPRING
22	282759-451	*	*	*	2	BOBBIN WINDER SPINDLE THREAD GUARD
23	554312	*	*	*	2	BOBBIN WINDER PACKING
24	544217-001	*	*	*	6	BOBBIN WINDER SCREW
25	543803-003	*	*	*	6	BOBBIN WINDER SCREW WASHER

NO.	PART NO.	939A	939J	939K	QTY	DESCRIPTION
26	554409	*	*	*	1	BOBBIN WINDER DRIVING WHEEL (RIGHT) COMPLETE
27	544207-012	*	*	*	2	BOBBIN WINDER DRIVING WHEEL (RIGHT) SET SCREW
28	552579	*	*	*	2	BOBBIN WINDER TENSION COMPLETE
30	552580	*	*	*	2	BOBBIN WINDER TENSION STUD COMP.
31	547247	*	*	*	4	BOBBIN WINDER TENSION DISC
32	547246	*	*	*	2	BOBBIN WINDER TENSION SPRING
33	368033	*	*	*	2	BOBBIN WINDER TENSION REGULATING THUMB NUT
34	541186	*	*	*	2	BOBBIN WINDER TENSION STUD LOCK NUT
35	552569	*	*	*	2	BOBBIN WINDER COMP.
36	554853	*	*	*	1	BOBBIN WINDER DRIVING WHEEL (LEFT) COMPLETE
37	544207-012	*	*	*	2	BOBBIN WINDER DRIVING WHEEL (LEFT) SET SCREW

# THREAD TRIMMER 1

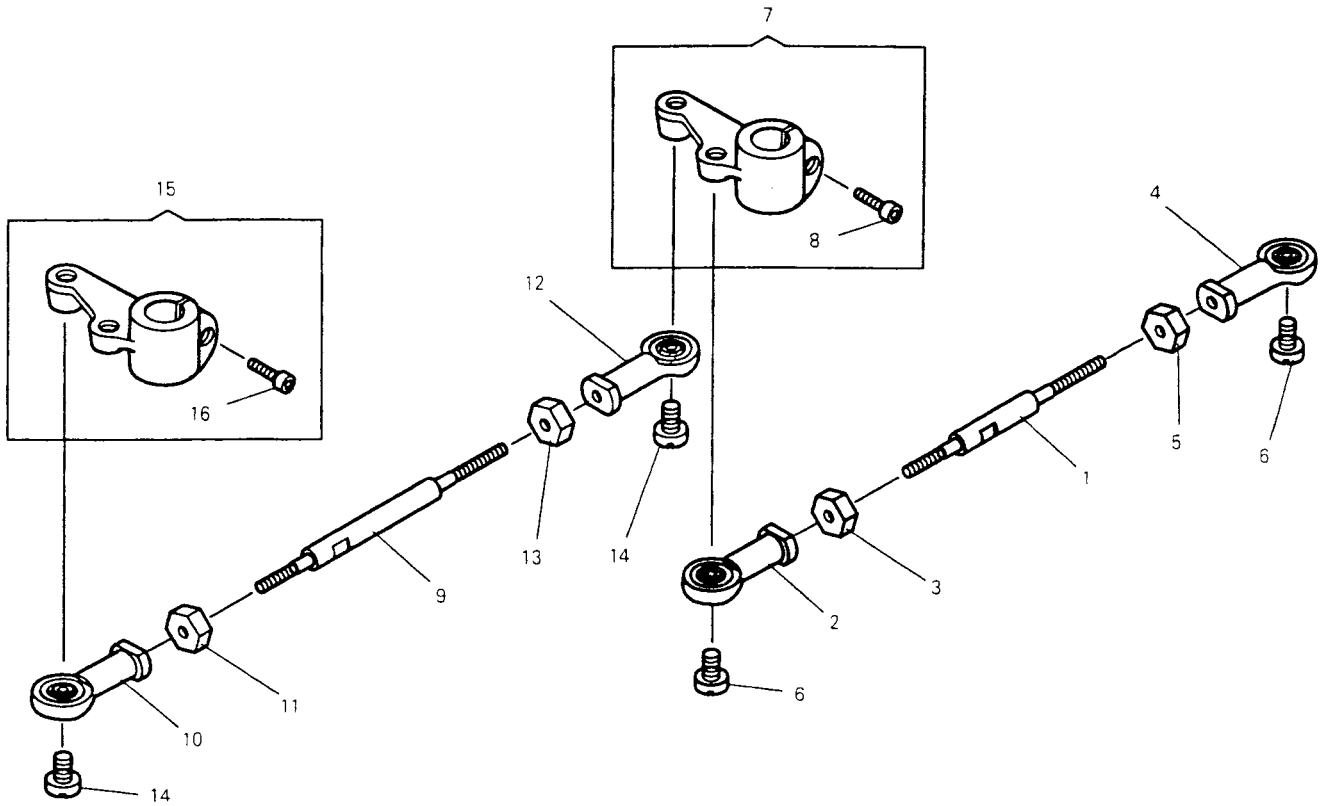


NO.	PART NO.	939A	939J	939K	QTY	DESCRIPTION
1	281184	-	-	-	1	TRIMMER CAM
2	374029	-	-	-	2	TRIMMER CAM SET SCREW
3	281013	-	-	-	1	TENSION RELEASING CAM
4	504028	-	-	-	2	TENSION RELEASING CAM SET SCREW
5	281014	-	-	-	1	TRIMMER POSITIVE MOTION CAM
6	544208-005	-	-	-	2	TRIMMER POSITIVE MOTION CAM SET SCREW
7	552585	-	-	-	1	TRIMMER SOLENOID BRACKET
8	369334	-	-	-	1	TRIMMER SOLENOID
9	543804-003	-	-	-	2	TRIMMER SOLENOID WASHER
10	543805-003	-	-	-	2	TRIMMER SOLENOID SPRING WASHER
11	541165-003	-	-	-	2	TRIMMER SOLENOID NUT
12	552586	-	-	-	1	TRIMMER SOLENOID ARM
13	545095	-	-	-	1	TRIMMER SOLENOID ARM SCREW
14	416772	-	-	-	1	TRIMMER SOLENOID ARM PIN
15	545072	-	-	-	1	TRIMMER SOLENOID ARM PIN SCREW
16	281020	-	-	-	1	TRIMMER SOLENOID ARM STOPPER
17	190-850	-	-	-	2	TRIMMER SOLENOID ARM STOPPER SCREW
18	281021	-	-	-	1	TRIMMER LEVER SHAFT
19	281022	-	-	-	1	TRIMMER LEVER SHAFT SPRING
20	281023	-	-	-	1	TRIMMER POSITIVE MOTION BRACKET COMPLETE
21	416777	-	-	-	1	TRIMMER POSITIVE MOTION BRACKET BOSS
22	549120	-	-	-	3	TRIMMER POSITIVE MOTION BRACKET BOSS SCREW
23	552588	-	-	-	1	TENSION RELEASE DRIVING LEVER
24	416780	-	-	-	1	TENSION RELEASING CAM ROLLER
25	414773-451	-	-	-	1	TENSION RELEASING CAM ROLLER SCREW
26	545409	-	-	-	1	TENSION RELEASING CAM ROLLER SCREW LOCK NUT
27	552590	-	-	-	1	TRIMMER LEVER
28	416780	-	-	-	1	TRIMMER CAM ROLLER
29	414773-451	-	-	-	1	TRIMMER CAM ROLLER SCREW
30	545264	-	-	-	1	TRIMMER LEVER RETURN SPRING HOOK

NO.	PART NO.	939A	939J	939K	QTY	DESCRIPTION
31	544208-005	-	-	-	1	TRIMMER LEVER SET SCREW
32	552591	-	-	-	1	TRIMMER LEVER STOPPER
33	414508	-	-	-	2	TRIMMER LEVER STOPPER SCREW
34	544352	-	-	-	3	TRIMMER SOLENOID BRACKET SCREW
35	554469	-	-	-	1	TRIMMER BACK TACK SOLENOID CORD COMP.
35	554723	-	-	-	1	TRIMMER SOLENOID CORD COMP.
36	552592	-	-	-	1	TRIMMER LEVER RETURN SPRING
37	374307	-	-	-	1	TRIMMER LEVER RETURN SPRING STUD
38	369333	-	-	-	1	TRIMMER SOLENOID COMP.
39	542766-002	-	-	-	2	TRIMMER SOLENOID CORD RETAINER
39	542766-002	-	-	-	4	TRIMMER SOLENOID CORD RETAINER
40	543803-002	-	-	-	1	TRIMMER SOLENOID CORD WASHER
40	543803-002	-	-	-	3	TRIMMER SOLENOID CORD WASHER
41	504010-452	-	-	-	1	TRIMMER SOLENOID CORD SCREW
41	504010-452	-	-	-	3	TRIMMER SOLENOID CORD SCREW
42	543803-003	-	-	-	1	TRIMMER SOLENOID CORD WASHER
43	544217-052	-	-	-	1	TRIMMER SOLENOID CORD SCREW
44	417142-001	-	-	-	2	TRIMMER SOLENOID WIRE CONNECTOR



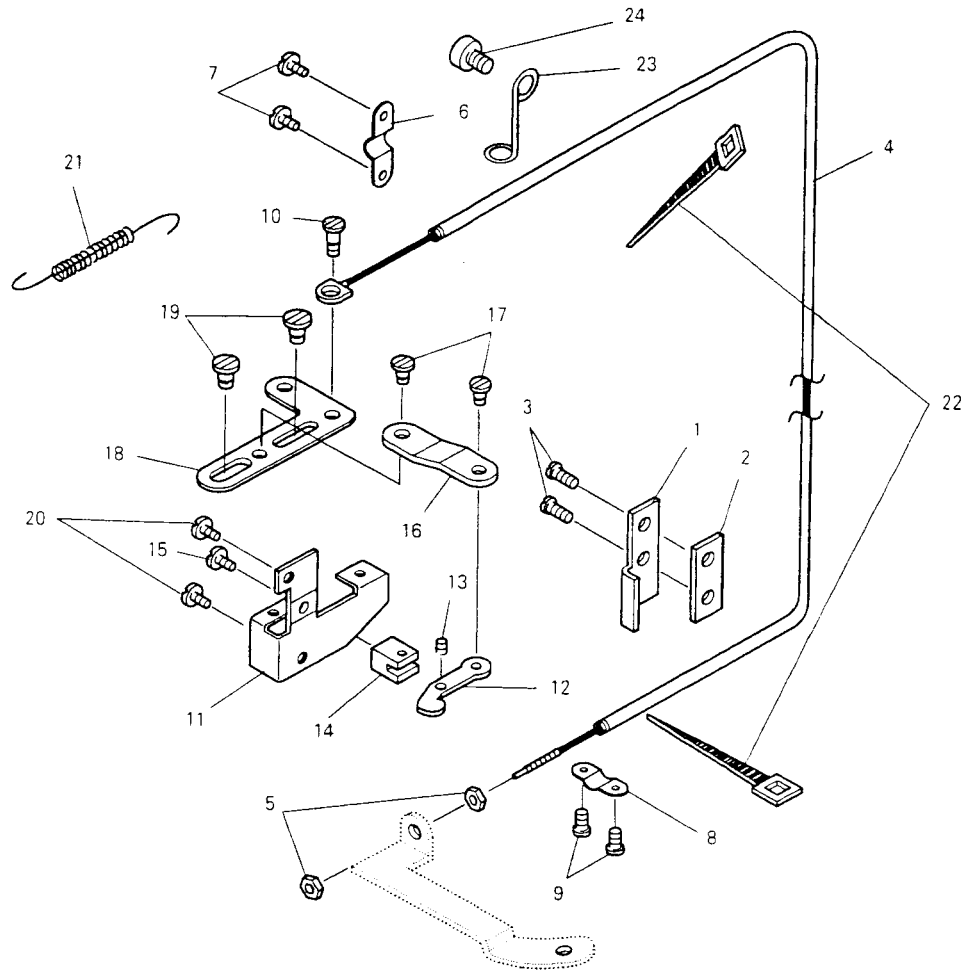
# THREAD TRIMMER 2



NO.	PART NO.	QTY			DESCRIPTION
		939A	939L	939K	
1	554654-001	-	*	*	1 TRIMMER ROD FOR DRIVING ARM (RIGHT)
2	416781-101	-	*	*	1 TRIMMER ROD END (LEFT)
3	414774	-	*	*	1 TRIMMER ROD END (LEFT) NUT
4	416781-001	-	*	*	1 TRIMMER ROD END (RIGHT)
5	541166-001	-	*	*	1 TRIMMER ROD END (RIGHT) NUT
6	414775	-	*	*	2 TRIMMER ROD END SCREW
7	281074	-	*	*	1 THREAD PULLER DRIVING ARM (RIGHT) COMPLETE
8	374107-004	-	*	*	1 THREAD PULLER DRIVING ARM (RIGHT) SCREW
9	416783-007	-	*	*	1 TRIMMER ROD FOR DRIVING ARM (LEFT)
10	416781-101	-	*	*	1 TRIMMER ROD END (LEFT)
11	414774	-	*	*	1 TRIMMER ROD END (LEFT) NUT
12	416781-001	-	*	*	1 TRIMMER ROD END (RIGHT)
13	541166-001	-	*	*	1 TRIMMER ROD END (RIGHT) NUT
14	414775	-	*	*	2 TRIMMER ROD END SCREW
15	281074	-	*	*	1 THREAD PULLER DRIVING ARM (LEFT) COMPLETE
16	374107-004	-	*	*	1 THREAD PULLER DRIVING ARM (LEFT) SCREW

NO.	PART NO.	QTY			DESCRIPTION
		939A	939L	939K	

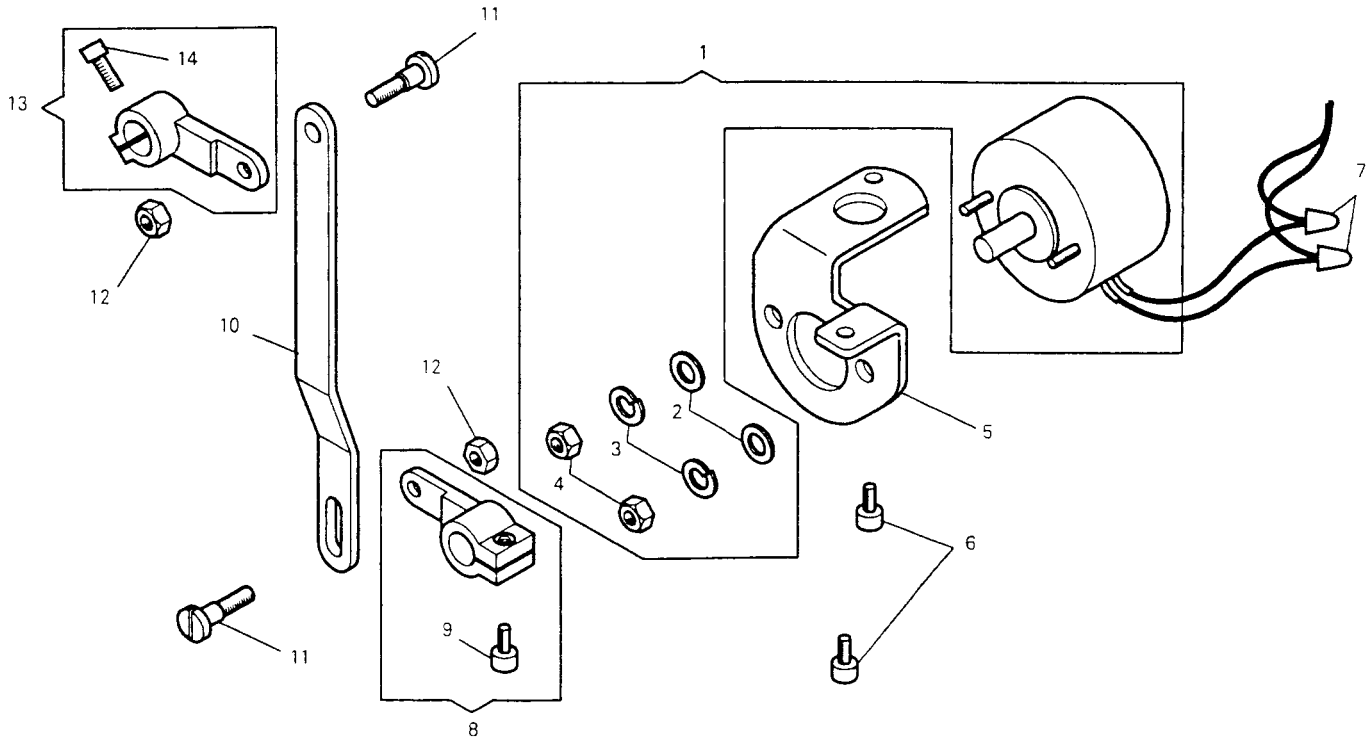
# TENSION RELEASING



NO.	PART NO.	QTY			DESCRIPTION
		939A	939J	939K	
1	552593	-	*	*	1 TENSION RELEASE DRIVING LEVER STOPPER
2	552594	-	*	*	1 TENSION RELEASE DRIVING LEVER STOPPER RETAINING PLATE
3	414780	-	*	*	2 TENSION RELEASE DRIVING LEVER STOPPER SCREW
4	552595	-	*	*	1 TENSION RELEASE WIRE GUIDE, TUBE COMPLETE
5	541166-003	-	*	*	2 TENSION RELEASE WIRE STAKING PIPE LOCK NUT
6	543327	-	*	*	1 TENSION RELEASE WIRE GUIDE TUBE CLAMPING PLATE (UPPER)
7	504010-452	-	*	*	2 TENSION RELEASE WIRE GUIDE TUBE CLAMPING PLATE (UPPER) SCREW
8	543327	-	*	*	1 TENSION RELEASE WIRE GUIDE TUBE CLAMPING PLATE (LOWER)
9	504010-452	-	*	*	2 TENSION RELEASE WIRE GUIDE TUBE CLAMPING PLATE (LOWER) SCREW
10	544144	-	*	*	1 TENSION RELEASE WIRE SHEAVE SCREW
11	552601	-	*	*	1 TENSION RELEASE LEVER BRACKET
12	552602	-	*	*	1 TENSION RELEASE LEVER
13	552603	-	*	*	1 TENSION RELEASE LEVER PIN
14	552604	-	*	*	1 TENSION RELEASE LEVER BLOCK
15	544256	-	*	*	1 TENSION RELEASE LEVER BLOCK SCREW
16	552605	-	*	*	1 TENSION RELEASE LEVER LINK
17	368247	-	*	*	2 TENSION RELEASE LEVER LINK HINGE SCREW
18	552606	-	*	*	1 TENSION RELEASE ACTUATING SLIDE PLATE
19	368247	-	*	*	2 TENSION RELEASE ACTUATING SLIDE PLATE HINGE SCREW
20	544213-052	-	*	*	2 TENSION RELEASE LEVER BRACKET SCREW
21	281593	-	*	*	1 TENSION RELEASE ACTUATING SLIDE PLATE SPRING

NO.	PART NO.	QTY			DESCRIPTION
		939A	939J	939K	
22	540899	-	*	*	2 TENSION RELEASE WIRE GUIDE TUBE RETAINER
23	554833	-	*	*	1 TENSION RELEASE WIRE GUIDE TUBE SUPPRT
24	544213-002	-	*	*	1 TENSION RELEASE WIRE GUIDE TUBE SUPPRT SCREW

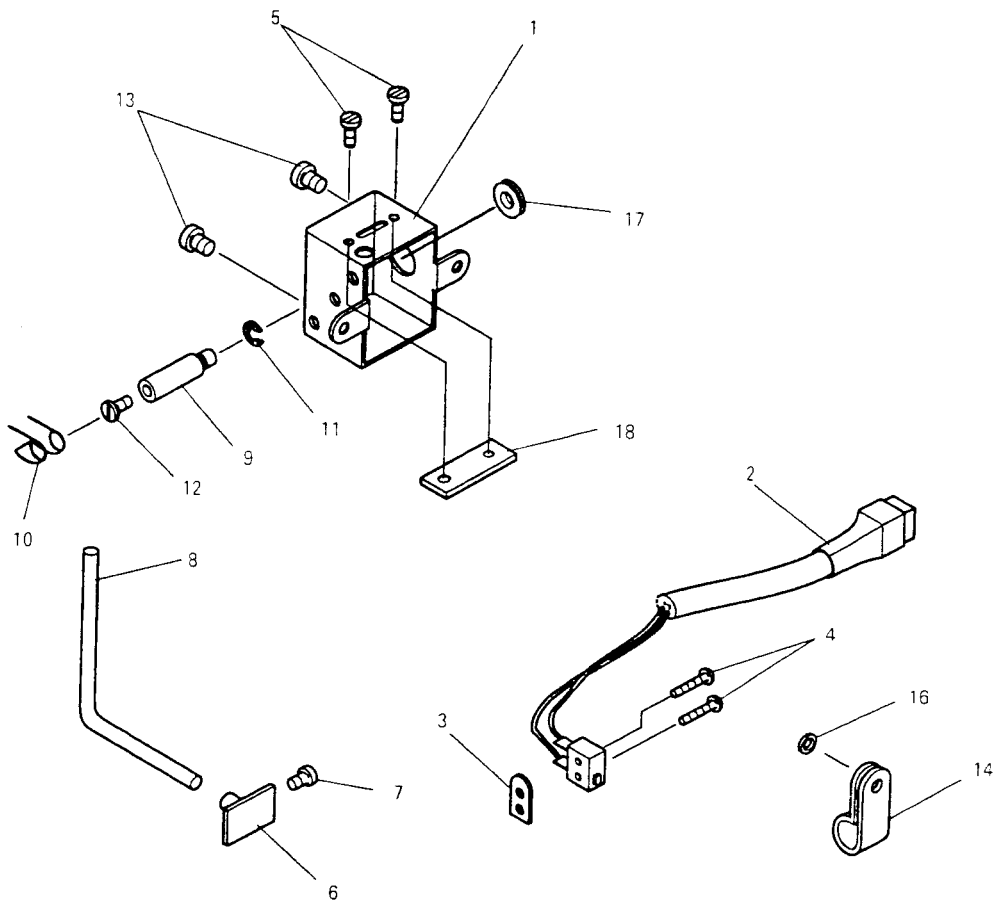
# BACK TACK MECHANISM



NO.	PART NO.	939A	939J	939K	QTY	DESCRIPTION
1	369335	-	-	*	1	BACK TACK SOLENOID COMPLETE
2	543804-005	-	-	*	2	BACK TACK SOLENOID WASHER
3	543805-005	-	-	*	2	BACK TACK SOLENOID SPRING WASHER
4	541167-003	-	-	*	2	BACK TACK SOLENOID NUT
5	552609	-	-	*	1	BACK TACK SOLENOID BRACKET
6	374108-010	-	-	*	2	BACK TACK SOLENOID BRACKET SCREW
7	417142-001	-	-	*	2	BACK TACK SOLENOID WIRE CONNECTOR
8	554980	-	-	*	1	BACK TACK SOLENOID ARM COMPLETE
9	414750-002	-	-	*	1	BACK TACK SOLENOID ARM PINCH SCREW
10	552612	-	-	*	1	BACK TACK SOLENOID LINK
11	374546	-	-	*	2	BACK TACK SOLENOID LINK HINGE SCREW
12	545422	-	-	*	2	BACK TACK SOLENOID LINK HINGE SCREW NUT
13	552613	-	-	*	1	FEED REVERSE LEVER SHAFT ACTUATING ARM COMPLETE
14	374107-004	-	-	*	1	FEED REVERSE LEVER SHAFT ACTUATING ARM PINCH SCREW

NO.	PART NO.	939A	939J	939K	QTY	DESCRIPTION

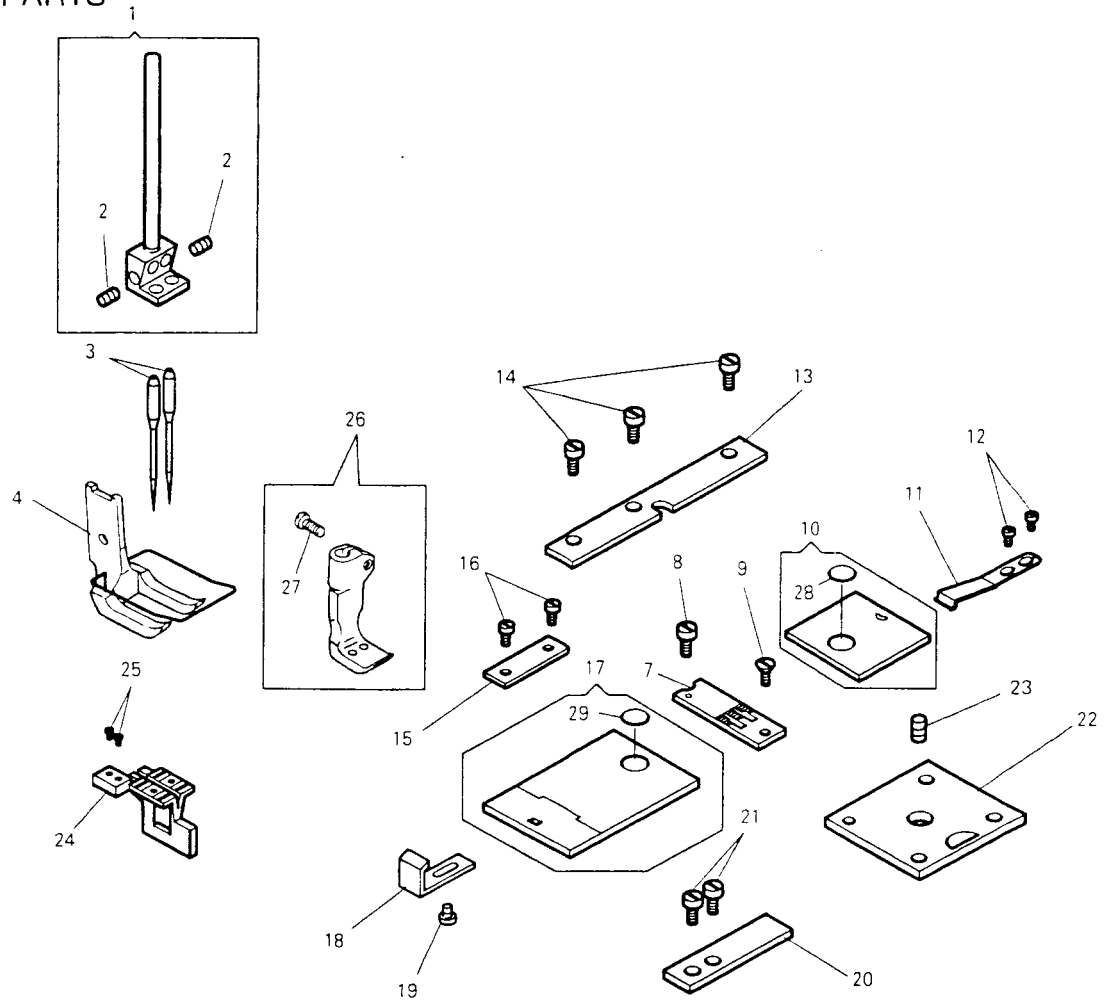
# BACK TACK SWITCH



NO	PART NO.	939A	939J	939K	QTY	DESCRIPTION
1	552616	-	-	*	1	BACK TACK SWITCH BOX
2	419125	-	-	*	1	BACK TACK SWITCH CORD, CONNECTOR COMP.
3	368467	-	-	*	1	BACK TACK SWITCH PLATE
4	544211-056	-	-	*	2	BACK TACK SWITCH PLATE SCREW
5	544211-001	-	-	*	2	BACK TACK SWITCH BOX COVER SCREW
6	376146	-	-	*	1	BACK TACK SWITCH LEVER BUTTON
7	374110-002	-	-	*	1	BACK TACK SWITCH LEVER BUTTON SCREW
8	552618	-	-	*	1	BACK TACK SWITCH LEVER
9	375733	-	-	*	1	BACK TACK SWITCH LEVER SHAFT
10	375732	-	-	*	1	BACK TACK SWITCH LEVER SPRING
11	543801-015	-	-	*	1	BACK TACK SWITCH LEVER SHAFT SNAP RING
12	545246-452	-	-	*	1	BACK TACK SWITCH LEVER SCREW
13	544217-052	-	-	*	2	BACK TACK SWITCH BOX SCREW
14	542766-005	-	-	*	1	BACK TACK SWITCH CORD CLIP
16	543803-002	-	-	*	1	BACK TACK SWITCH CORD CLIP WASHER
17	554884	-	-	*	1	BACK TACK SWITCH BOX GROMMETS
18	552784	-	-	*	1	BACK TACK SWITCH BOX COVER

NO	PART NO.	939A	939J	939K	QTY	DESCRIPTION

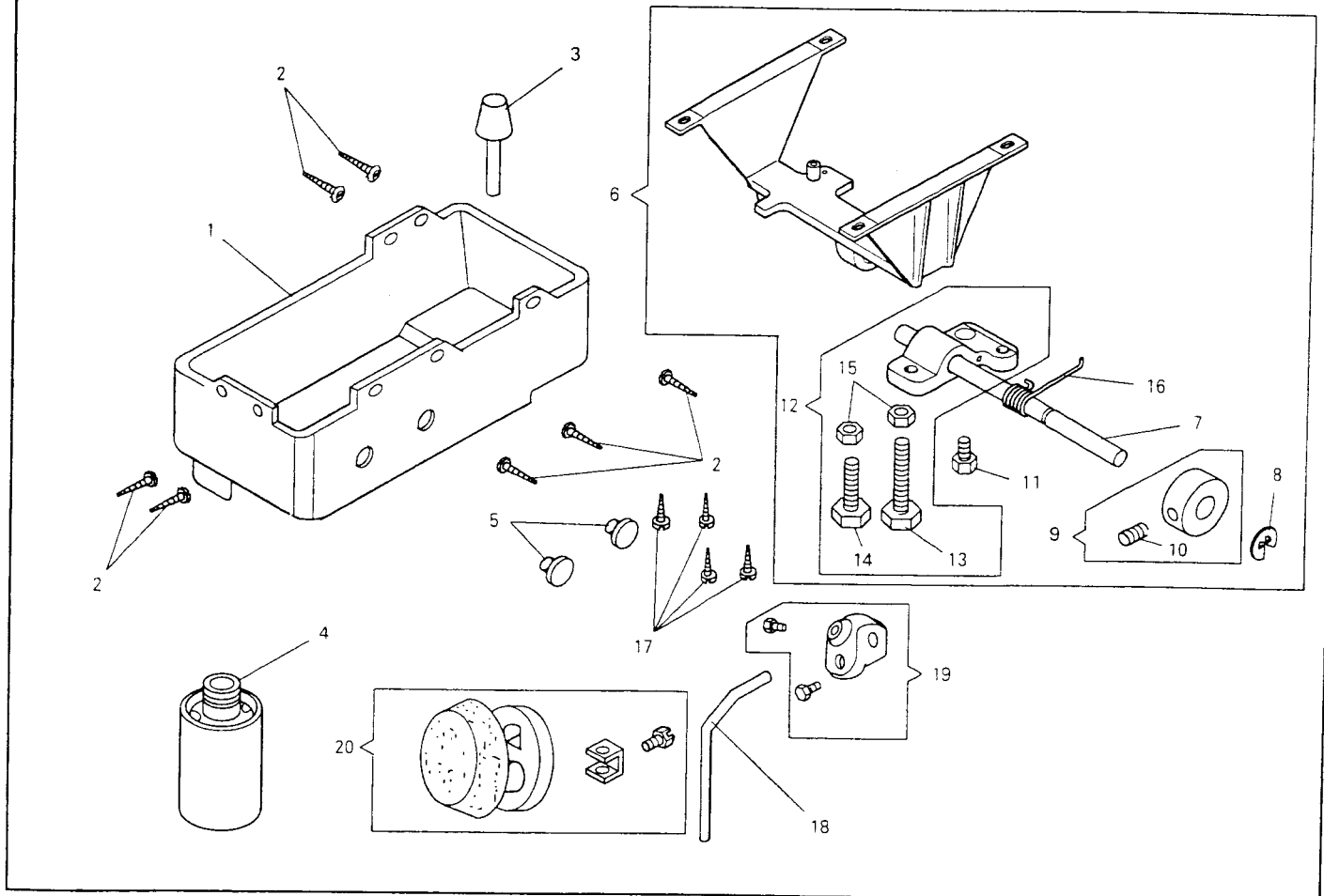
# GAUGE PARTS



NO	PART NO.	939A	939J	939K	QTY	DESCRIPTION
1	412484-008	*	*	*	1	NEEDLE BAR COMP (1/8", 3.2mm)
1	412484-012	*	*	*	1	NEEDLE BAR COMP (3/16", 4.8mm) (STANDARD)
1	412484-016	*	*	*	1	NEEDLE BAR COMP (1/4", 6.4mm) (STANDARD)
1	412484-020	*	*	*	1	NEEDLE BAR COMP (5/16", 7.9mm)
1	412484-024	*	*	*	1	NEEDLE BAR COMP (3/8", 9.5mm)
2	374456	*	*	*	2	NEEDLE SET SCREW
3	N33550-120	*	*	*	2	NEEDLE (CAT. NO 3355-01 #20)
4	554910-008	*	*	*	1	LIFTING PRESSER FOOT (1/8", 3.2mm)
4	554910-012	*	*	*	1	LIFTING PRESSER FOOT (3/16", 4.8mm) (STANDARD)
4	554910-016	*	*	*	1	LIFTING PRESSER FOOT (1/4", 6.4mm) (STANDARD)
4	555045-020	*	*	*	1	LIFTING PRESSER FOOT (5/16", 7.9mm)
4	555045-024	*	*	*	1	LIFTING PRESSER FOOT (3/8", 9.5mm)
7	412039-008	*	*	*	1	THROAT PLATE (1/8", 3.2mm)
7	412039-012	*	*	*	1	THROAT PLATE (3/16", 4.8mm) (STANDARD)
7	412039-016	*	*	*	1	THROAT PLATE (1/4", 6.4mm) (STANDARD)
7	412039-020	*	*	*	1	THROAT PLATE (5/16", 7.9mm)
7	412039-024	*	*	*	1	THROAT PLATE (3/8", 9.5mm)
7	555074-008	*	*	*	1	THROAT PLATE (1/8", 3.2mm)
7	555074-012	*	*	*	1	THROAT PLATE (3/16", 4.8mm) (STANDARD)
7	555074-016	*	*	*	1	THROAT PLATE (1/4", 6.4mm) (STANDARD)
7	555074-020	*	*	*	1	THROAT PLATE (5/16", 7.9mm)
7	555074-024	*	*	*	1	THROAT PLATE (3/8", 9.5mm)
8	544382-452	*	*	*	1	THROAT PLATE CLAMP SCREW
9	691-845	*	*	*	1	THROAT PLATE SCREW
10	552814	*	*	*	1	BED SLIDE (RIGHT) COMP (1/8", 3/16", 1/4", 5/16", 3/8")
11	552419	*	*	*	1	BED SLIDE (RIGHT) SPRING PLATE
12	544269	*	*	*	2	BED SLIDE (RIGHT) SPRING PLATE SCREW
13	554453	*	*	*	1	BED COVER PLATE (RIGHT)

NO	PART NO.	939A	939J	939K	QTY	DESCRIPTION
14	545137	*	*	*	3	BED COVER PLATE (RIGHT) SCREW
15	554651	*	*	*	1	BED COVER PLATE
16	414659	*	*	*	2	BED COVER PLATE SCREW
17	554615	*	*	*	1	BED SLIDE (LEFT) COMP. (1/8", 3/16", 1/4", 5/16", 3/8")
18	554476	*	*	*	1	BED SLIDE (LEFT) SPRING PLATE
19	544217-052	*	*	*	1	BED SLIDE (LEFT) SPRING PLATE SCREW
20	554801	*	*	*	1	BED COVER PLATE (LEFT)
21	545137	*	*	*	2	BED COVER PLATE (LEFT) SCREW
22	416756-452	*	*	*	1	ATTACHMENT SLIDE PLATE
22	281072	*	*	*	1	ATTACHMENT SLIDE PLATE
23	544389	*	*	*	1	ATTACHMENT SLIDE PLATE LOCK SCREW
24	555069-008	*	*	*	1	FEED DOG (1/8", 3.2mm)
24	555070-012	*	*	*	1	FEED DOG (3/16", 4.8mm) (STANDARD)
24	554928-016	*	*	*	1	FEED DOG (1/4", 6.4mm) (STANDARD)
24	554928-020	*	*	*	1	FEED DOG (5/16", 7.9mm)
24	554928-024	*	*	*	1	FEED DOG (3/8", 9.5mm)
24	555071-008	*	*	*	1	FEED DOG (1/8", 3.2mm)
24	555072-012	*	*	*	1	FEED DOG (3/16", 4.8mm) (STANDARD)
24	554929-016	*	*	*	1	FEED DOG (1/4", 6.4mm) (STANDARD)
24	554929-020	*	*	*	1	FEED DOG (5/16", 7.9mm)
24	554929-024	*	*	*	1	FEED DOG (3/8", 9.5mm)
25	544399	*	*	*	2	FEED DOG SCREW
26	416702-008	*	*	*	1	VIBRATING PRESSER FOOT COMP. (1/8", 3.2mm)
26	416702-012	*	*	*	1	VIBRATING PRESSER FOOT COMP. (3/16", 4.8mm) (STANDARD)
26	416702-016	*	*	*	1	VIBRATING PRESSER FOOT COMP. (1/4", 6.4mm) (STANDARD)
26	416703-020	*	*	*	1	VIBRATING PRESSER FOOT COMP. (5/16", 7.9mm)
26	416703-024	*	*	*	1	VIBRATING PRESSER FOOT COMP. (3/8", 9.5mm)
27	549104	*	*	*	1	VIBRATING PRESSER FOOT PINCH SCREW
28	552416	*	*	*	1	THROAT PLATE WINDOW
29	552416	*	*	*	1	THROAT PLATE WINDOW

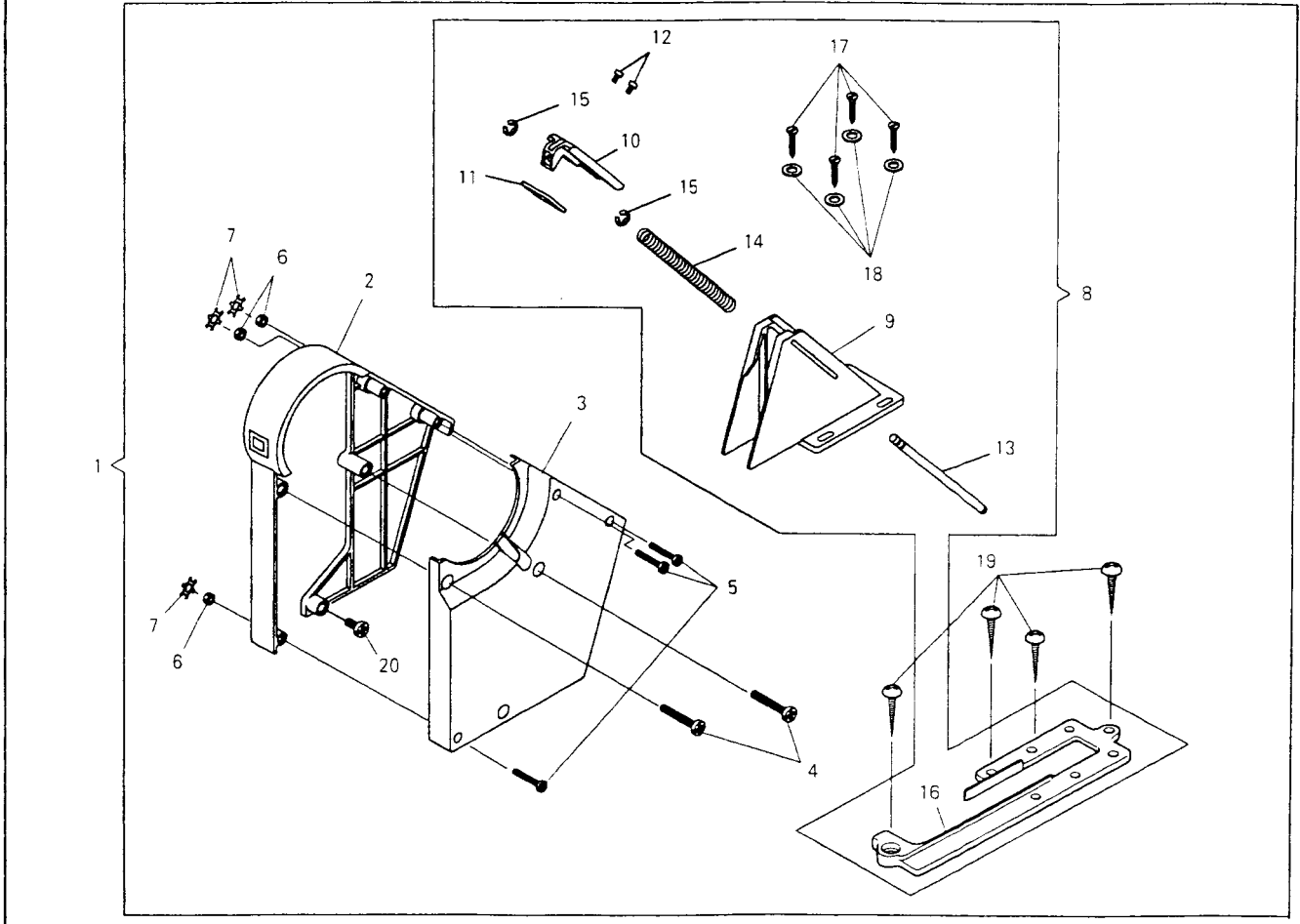
# ACCESSORIES AND ATTACHMENTS 1



NO.	PART NO.	939A	939J	939K	QTY	DESCRIPTION
1	552647	*	*	*	1	DRIP PAN
2	350708	*	*	*	7	DRIP PAN NAIL
3	552648	*	*	*	1	KNEE LIFTER PLUNGER COMP.
4	167448	*	*	*	1	DRIP PAN DRAIN JAR
5	544886-451	*	*	*	2	DRIP PAN RUBBER PLUG
6	554817	*	*	*	1	KNEE LIFTER ROCK SHAFT BRACKET COMP.
7	552644	*	*	*	1	KNEE LIFTER ROCK SHAFT
8	543801-011	*	*	*	1	KNEE LIFTER ROCK SHAFT RETAINING RING
9	540633	*	*	*	1	KNEE LIFTER ROCK SHAFT COLLAR
10	504134	*	*	*	1	KNEE LIFTER ROCK SHAFT COLLAR SET SCREW
11	544499-003	*	*	*	1	KNEE LIFTER ROCK SHAFT LIFTING ARM SCREW
12	554803	*	*	*	1	KNEE LIFTER ROCK SHAFT LIFTING ARM COMP.
13	544499-008	*	*	*	1	KNEE LIFTER ROCK SHAFT LIFTING ARM STOP SCREW (LONG)
14	544499-006	*	*	*	1	KNEE LIFTER ROCK SHAFT LIFTING ARM STOP SCREW (SMALL)
15	541167-001	*	*	*	2	KNEE LIFTER ROCK SHAFT LIFTING ARM STOP SCREW NUT
16	552646	*	*	*	1	KNEE LIFTER ROCK SHAFT LIFTING ARM SPRING
17	549296	*	*	*	4	KNEE LIFTER ROCK SHAFT BRACKET SCREW
18	544895	*	*	*	1	KNEE LIFTER ROCK SHAFT HUB COMP.
19	545918	*	*	*	1	KNEE LIFTER ROCK SHAFT HUB COMP.
20	414115	*	*	*	1	KNEE LIFTER KNEE PLATE COMP.

NO.	PART NO.	939A	939J	939K	QTY	DESCRIPTION

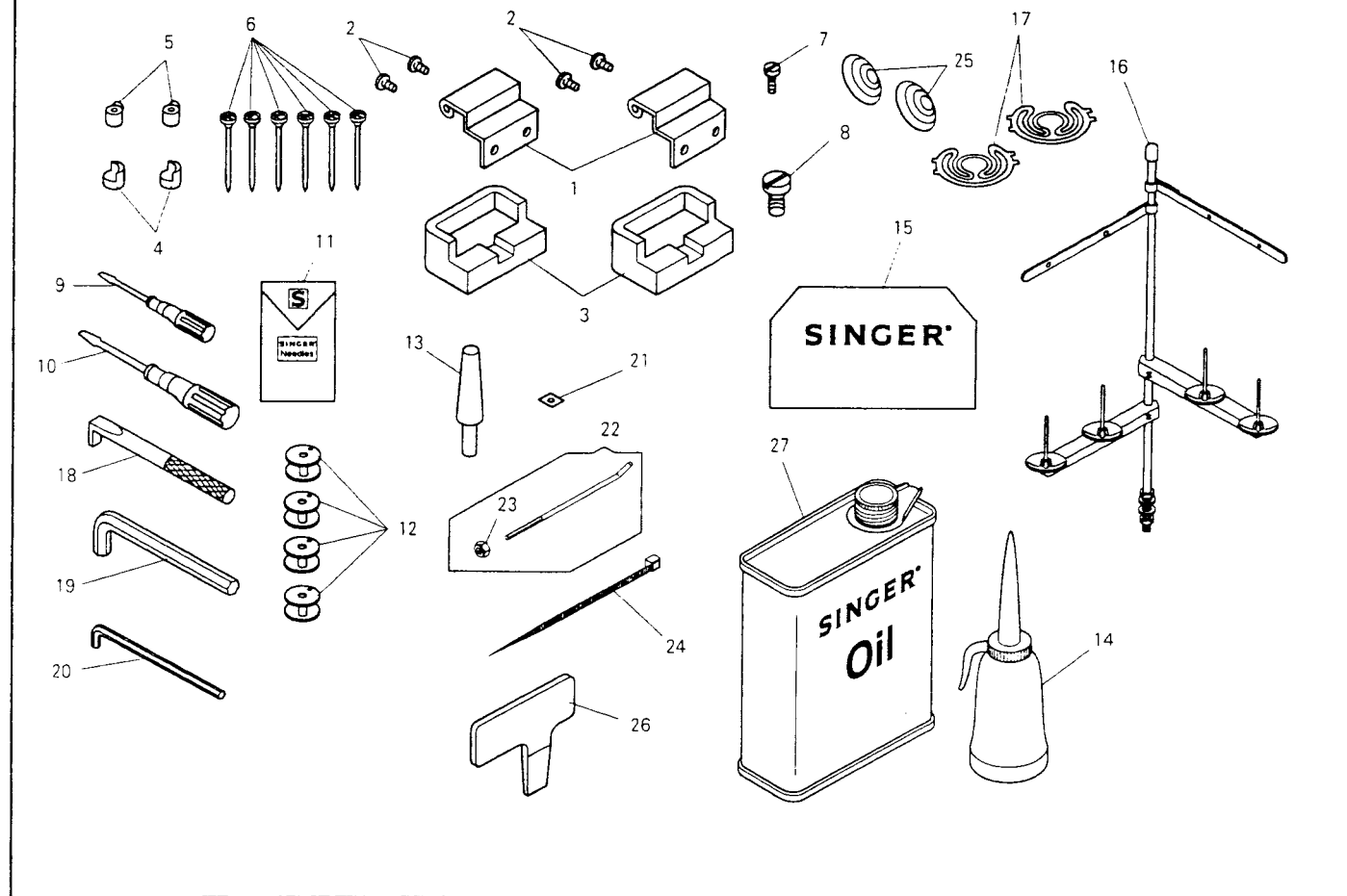
# ACCESSORIES AND ATTACHMENTS 2



NO	PART NO.	939A			QTY	DESCRIPTION
		939J	939K			
1	552643-383	*	*	*	1	BELT GUARD COMP.
2	550163-451	*	*	*	1	BELT GUARD (LEFT)
3	550164-451	*	*	*	1	BELT GUARD (RIGHT)
4	544213-058	*	*	*	2	BELT GUARD SCREW
5	544212-007	*	*	*	3	BELT GUARD SCREW
6	541165-001	*	*	*	3	BELT GUARD SCREW NUT
7	543880-004	*	*	*	3	BELT GUARD SCREW NUT RING
8	552822-383	*	*	*	1	BELT GUARD (LOWER) COMP.
9	550166-451	*	*	*	1	BELT GUARD (LOWER)
10	552820-383	*	*	*	1	BELT GUARD SLIDE
11	552821	*	*	*	1	BELT GUARD SLIDE PLATE
12	544211-053	*	*	*	2	BELT GUARD SLIDE SCREW
13	550169	*	*	*	1	BELT GUARD SLIDE SHAFT
14	368279	*	*	*	1	BELT GUARD SLIDE SPRING
15	408913	*	*	*	2	BELT GUARD SLIDE SHAFT SNAP RING
16	552819-383	*	*	*	1	BELT GUARD (LOWER) SPACER
17	412697-002	*	*	*	4	BELT GUARD (LOWER) WOOD SCREW
18	543804-003	*	*	*	4	BELT GUARD (LOWER) WOOD SCREW WASHER
19	549398	*	*	*	4	BELT GUARD (LOWER) SPACER WOOD SCREW
20	544213-054	*	*	*	1	BELT GUARD SCREW

NO	PART NO.	939A			QTY	DESCRIPTION
		939J	939K			

# ACCESSORIES AND ATTACHMENTS 3

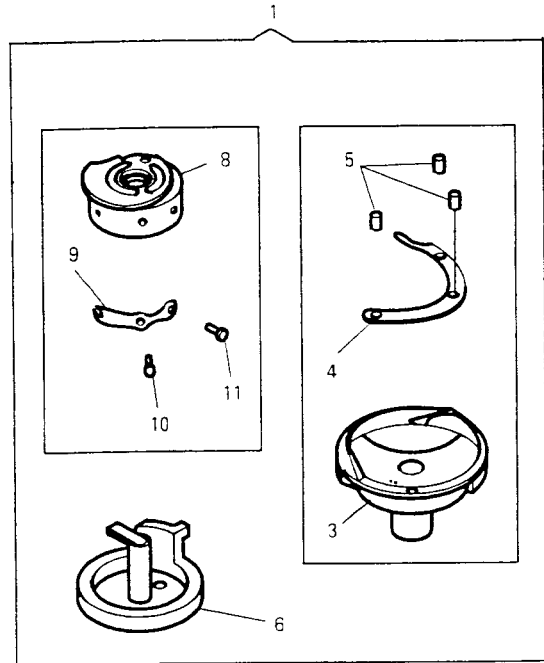


NO	PART NO.	QTY			DESCRIPTION
		93A	93J	93K	
1	412212	*	*	*	2 MACHINE HINGE CONNECTION
2	544381	*	*	*	4 MACHINE HINGE CONNECTION SCREW
3	540523	*	*	*	2 MACHINE HINGE CONNECTION CUSHION
4	410570	*	*	*	2 MACHINE REST (FRONT)
5	410571	*	*	*	2 MACHINE REST (BACK)
6	546920-002	*	*	*	6 NAIL
7	545295	*	*	*	1 ATTACHMENT SCREW (SMALL)
8	544388	*	*	*	1 ATTACHMENT SCREW (LARGE)
9	541514	*	*	*	1 SCREW DRIVER (SMALL)
10	548701	*	*	*	1 SCREW DRIVER (LONG)
11	N33550-120	*	*	*	5 NEEDLE (CAT.NO.3355-01 #20)
12	282768	*	*	*	4 BOBBIN
13	411313	*	*	*	1 MACHINE REST PIN
14	541571	*	*	*	1 OILER
15	414407	*	*	*	1 MACHINE COVER
16	554471-453	*	*	*	1 THREAD UNWINDER COMP.
17	417269	*	*	*	2 ANTI SPILL SPRING
18	368444	*	*	*	1 SCREW DRIVER
19	543066-001	*	*	*	1 WRENCH (FOR M4)
20	418441-001	*	*	*	1 WRENCH (FOR M3)
21	548228	*	*	*	1 TRAPPER ADJUSTING WASHER
22	281199	*	*	*	1 SENSOR RETAINER COMP.
23	541196	*	*	*	1 SENSOR RETAINER LOCK NUT
24	540899	*	*	*	1 CORD RETAINER
25	554741	*	*	*	2 TENSION SPRING
26	541561	*	*	*	1 SCREW DRIVER
27	418445	*	*	*	1 OIL CAN (450 cc, TYPE 'C')

NO.	PART NO.	QTY			DESCRIPTION
		93A	93J	93K	



PARTS AVAILABLE AT EXTRA CHARGE



NO.	PART NO.	939A	939J	939K	QTY	DESCRIPTION	NO.	PART NO.	939A	939J	939K	QTY	DESCRIPTION
1	554829	*	*	*	1	HOOK AND BOBBIN CASE COMP.							
3	554828	*	*	*	1	HOOK (BODY)							
4	555068	*	*	*	1	HOOK GIB							
5	500520	*	*	*	3	HOOK GIB SCREW							
6	281158	*	*	*	1	BOBBIN CASE COMP.							
8	554831	*	*	*	1	BOBBIN CASE CAP							
9	281149	*	*	*	1	BOBBIN CASE CAP TENSION SPRING							
10	500519	*	*	*	1	BOBBIN CASE CAP TENSION SPRING REGULATING SCREW							
11	500518	*	*	*	1	BOBBIN CASE TENSION SPRING SCREW							

