



Union Special[®]
INDUSTRIAL SEWING EQUIPMENT

CATALOG NO. 103UG-GR

STYLES

39500UG

39500UM

**THREADING DIAGRAM AND ILLUSTRATED
PARTS LIST**

FIRST EDITION



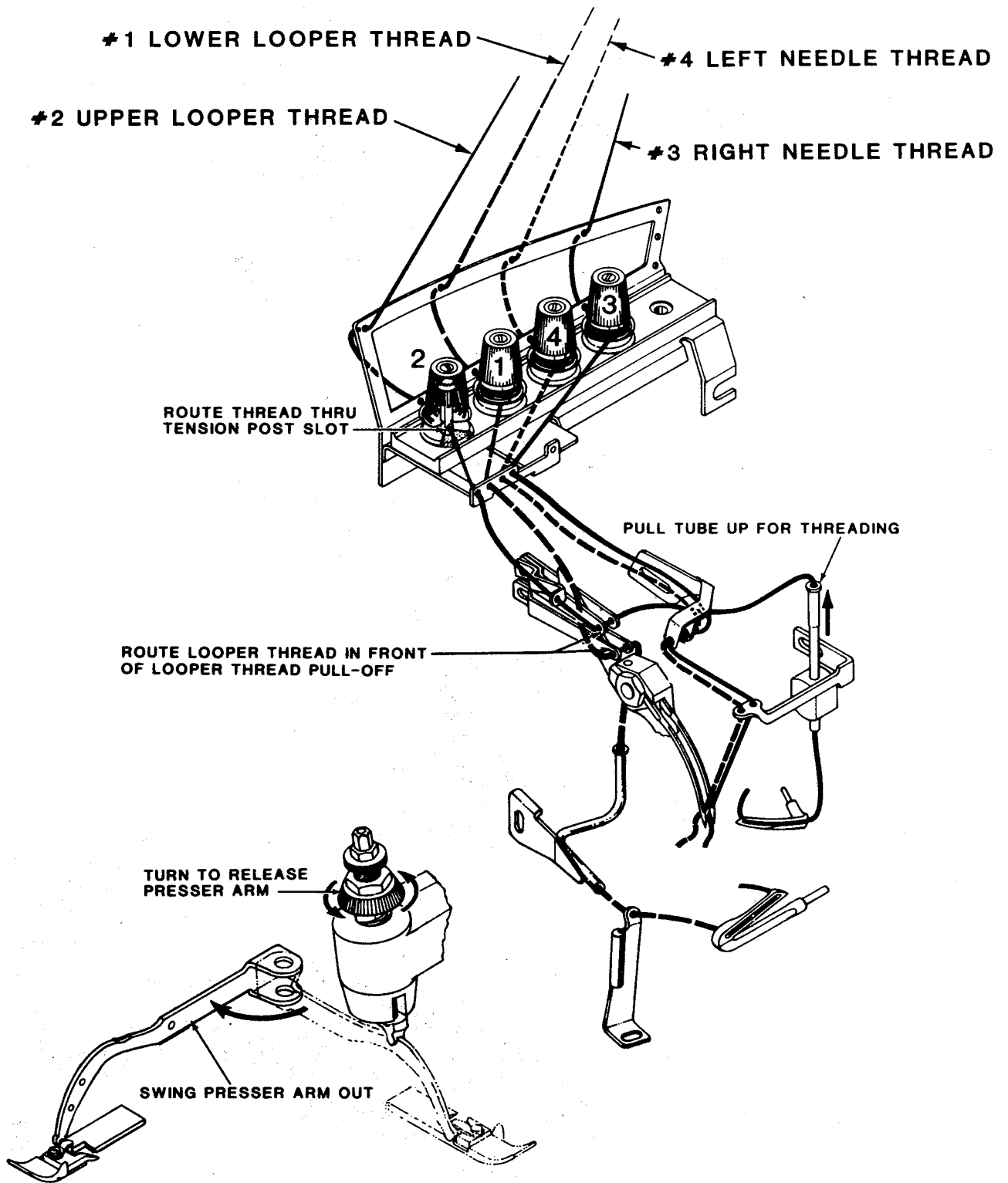
FIRST EDITION
© 2006

PRINTED 2006 IN USA

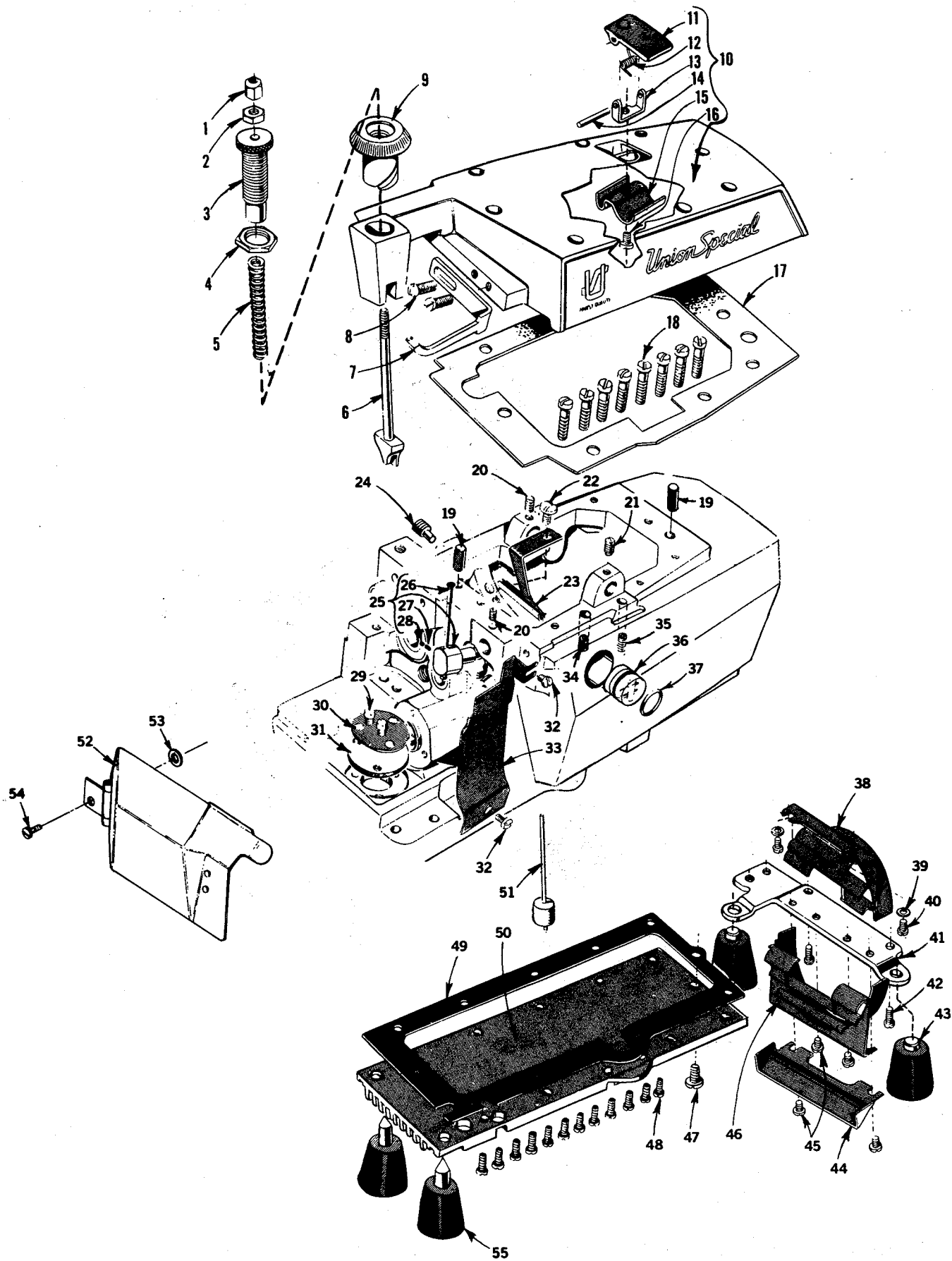
INFORMATION SUBJECT TO CHANGE WITHOUT NOTICE

© UNION SPECIAL CORPORATION ALL RIGHTS RESERVED IN ALL COUNTRIES.

39500 UG-1/8 THREADING DIAGRAM

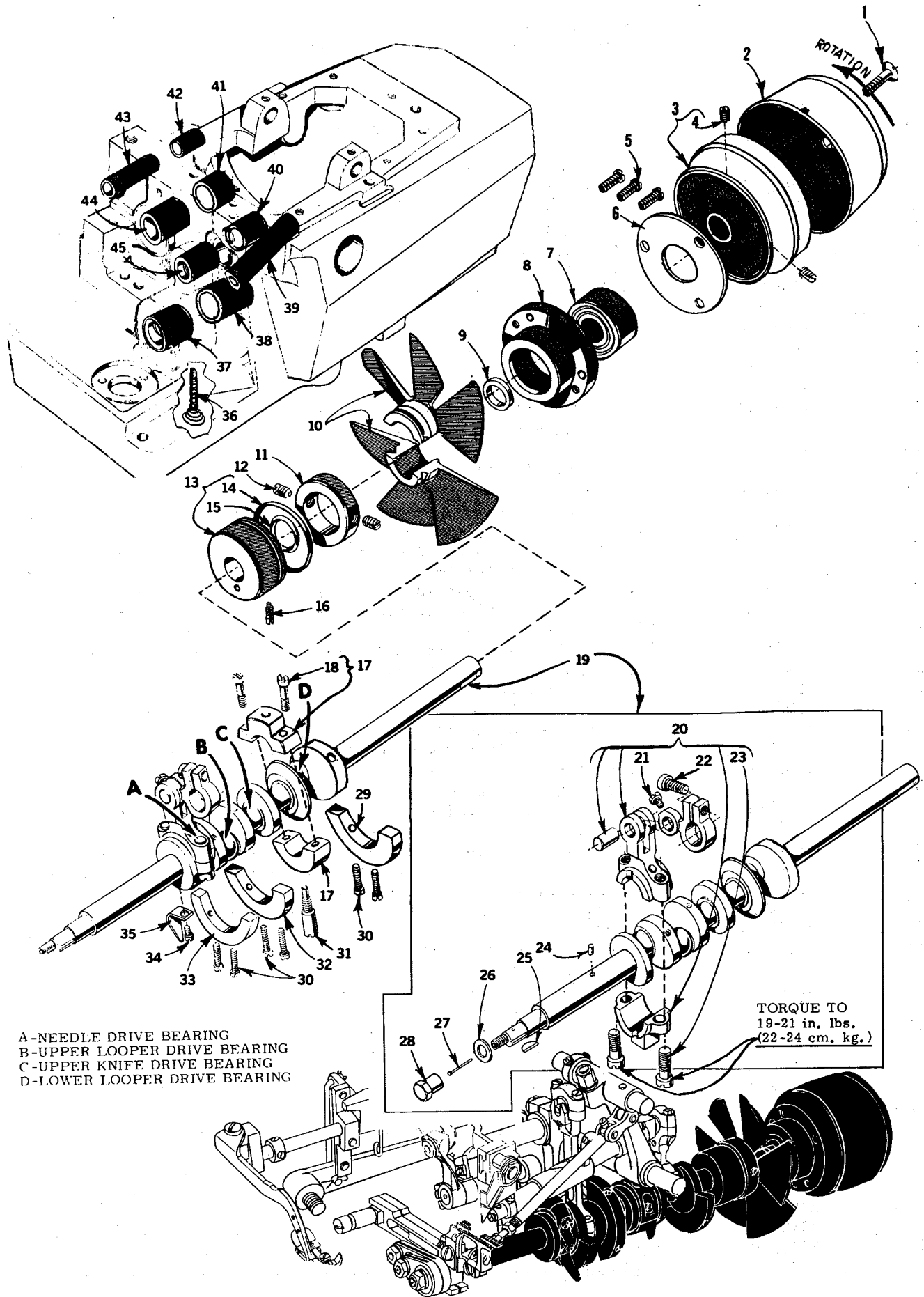


Thread machine in sequence as shown: (1) lower looper thread, (2) upper looper thread, (3) right needle thread and (4) left needle thread.



MAIN FRAME, PRESSER FOOT RELEASE PARTS,
MISCELLANEOUS COVERS AND PLATES

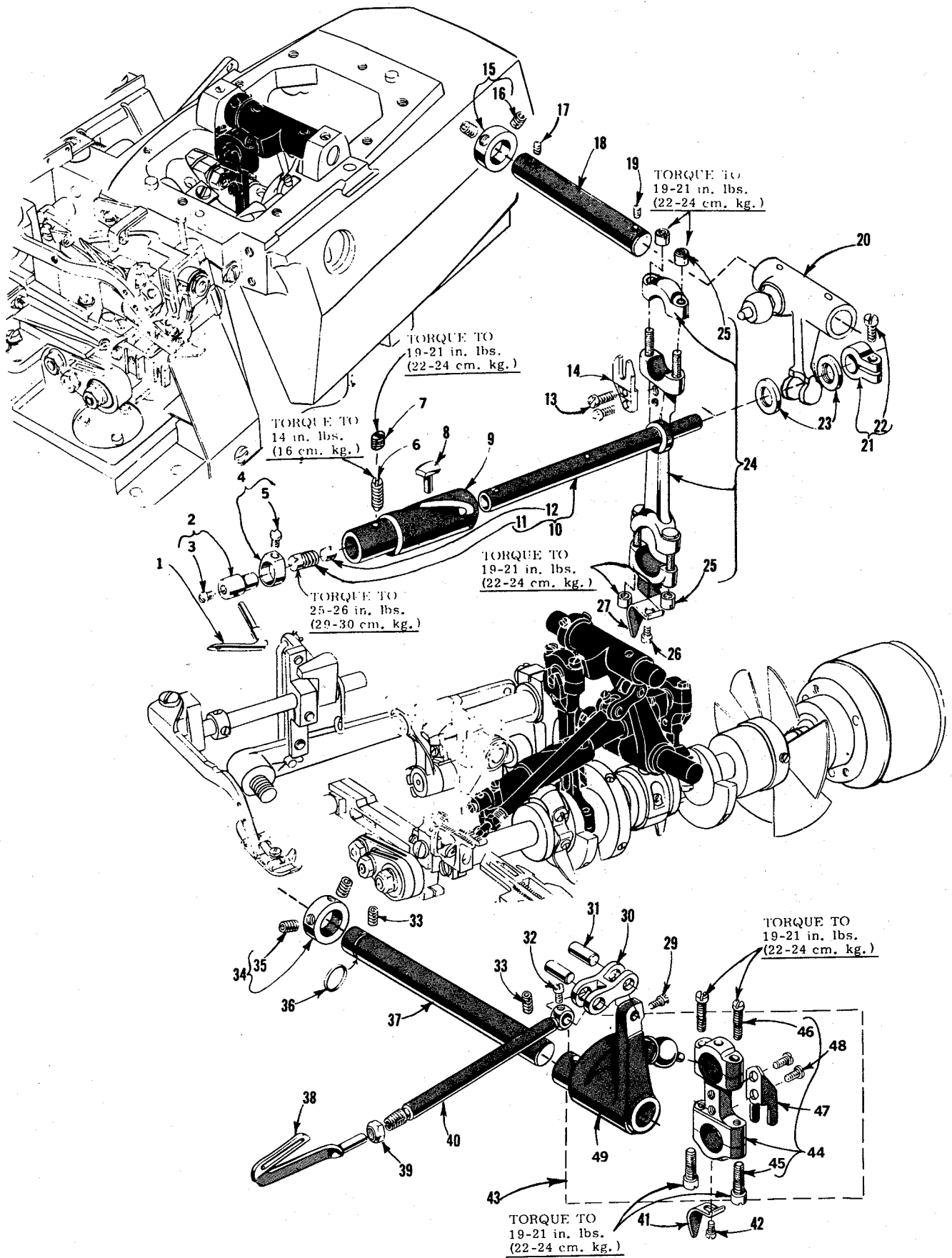
| Ref. No. | Part No. | Description | Amt. Req. |
|-------------|-------------|--|--------------|
| 1 | 39557 B | Presser Spring Plunger Cap Nut ----- | 1 |
| 2 | 39557 E | Presser Spring Plunger Locking Nut ----- | 1 |
| 3 | 39557 C | Presser Spring Plunger Adjusting Screw ----- | 1 |
| 4 | 39557 F | Lock Nut, for adjusting screw ----- | 1 |
| 5 | 39557 | Presser Spring ----- | 1 |
| 6 | 39557 A | Presser Spring Plunger ----- | 1 |
| 7 | 39563 X | Top Cover Needle Thread Eyelet ----- | 1 |
| 8 | 22569 B | Screw, for top cover needle thread eyelet ----- | 2 |
| 9 | 39556 A | Presser Foot Release Bushing ----- | 1 |
| 10 | 39582 DK | Top Cover ----- | 1 |
| 11 | 39582 AF | Oil Filler Cover ----- | 1 |
| 12 | 39582 V | Spring ----- | 1 |
| 13 | 39582 AG | Hinge Bracket ----- | 1 |
| 14 | 51-103 Blk. | Hinge Pin ----- | 1 |
| 15 | 39582 W | Oil Guard ----- | 1 |
| 16 | 22562 A | Screw, for hinge bracket ----- | 1 |
| 17 | 39582 BZ | Top Cover Gasket ----- | 1 |
| 18 | 22541 | Screw, for top cover ----- | 8 |
| 19 | 667 D-8 | Dowel Pin ----- | 2 |
| 20 | 22565 | Set Screw, for upper looper thread tube assembly and for upper looper drive lever shaft ----- | 2 |
| 21 | 22565 S | Spot Screw, for upper looper drive lever shaft ----- | 1 |
| 22 | 22569 D | Screw, for oil collector plate ----- | 1 |
| 23 | 39594 R | Oil collector Plate ----- | 1 |
| 24 | 22571 E | Magnetic Oil Drain Plug Screw ----- | 1 |
| 25 | 29477 GW | Upper Looper Thread Tube Assembly ----- | 1 |
| 26 | 39568 G | Thread Tube ----- | 1 |
| 27 | 39568 J | Thread Tube Tension Spring ----- | 1 |
| 28 | 22743 | Set Screw, for thread tube tension spring ----- | 1 |
| 29 | 22760 H | Screw, for oil filter screen and strainer ----- | 2 |
| 30 | 39594 G | Oil Filter Screen ----- | 1 |
| 31 | 39594 H | Oil strainer, felt ----- | 1 |
| 32 | 22569 D | Screw, for chip guard ----- | 2 |
| 33 | G39578 U | Chip Guard ----- | 1 |
| 34 | 22569 K | Screw, for oil sight gauge ----- | 1 |
| 35 | 22894 AE | Screw, for lower looper bar driving lever shaft ----- | 2 |
| 36 | 39593 H | Oil Sight Gauge ----- | 1 |
| 37 | 660-243 | Oil Gauge Seal Ring ----- | 1 |
| 38 | 39582 BV | Air Duct, upper ----- | 1 |
| 39 | 8372 A | Washer, for upper air duct ----- | 2 |
| 40 | 22569 C | Screw, for upper air duct ----- | 2 |
| 41 | 39582 BM | Base Plate ----- | 1 |
| 42 | 22541 B | Screw, for base plate ----- | 2 |
| 43 | 39595 | Isolator ----- | 2 |
| 44 | 39582 BL | Air Duct, outer ----- | 1 |
| 45 | 22569 D | Screw, for lower and outer air duct ----- | 4 |
| 46 | 39582 BK | Air Duct lower ----- | 1 |
| 47 | 22586 T | Screw, for bottom cover ----- | 1 |
| 48 | 22541 B | Screw, for bottom cover ----- | 12 |
| 49 | 39582 BH | Bottom Cover Gasket ----- | 1 |
| 50 | 39582 DH | Bottom Cover ----- | 1 |
| 51 | 39593 M | Oil Gauge Indicator Assembly ----- | 1 |
| 52 | 39582 DN | Feed Bar Cover Assembly ----- | 1 |
| 53 | 39198 D | Washer ----- | 1 |
| 54 | 22758 C | Screw ----- | 1 |
| 55 | 51295 B | Isolator ----- | 2 |



A-NEEDLE DRIVE BEARING
 B-UPPER LOOPER DRIVE BEARING
 C-UPPER KNIFE DRIVE BEARING
 D-LOWER LOOPER DRIVE BEARING

CRANKSHAFT MECHANISM AND BUSHINGS

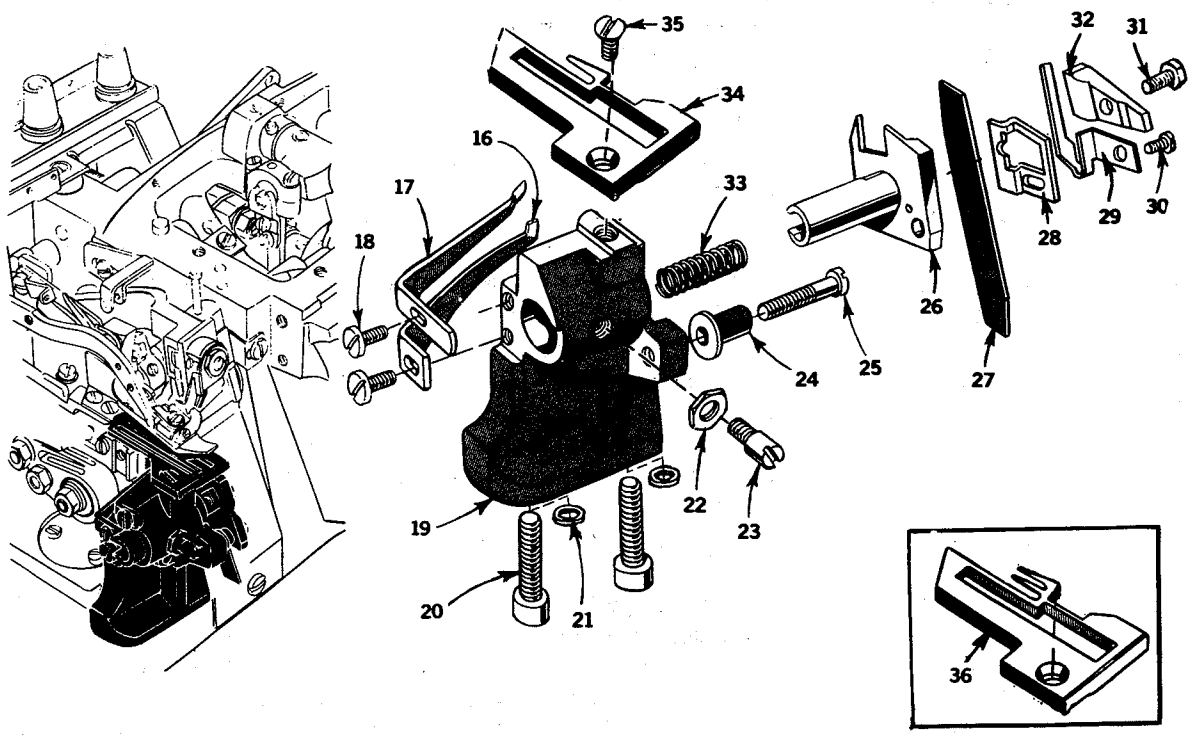
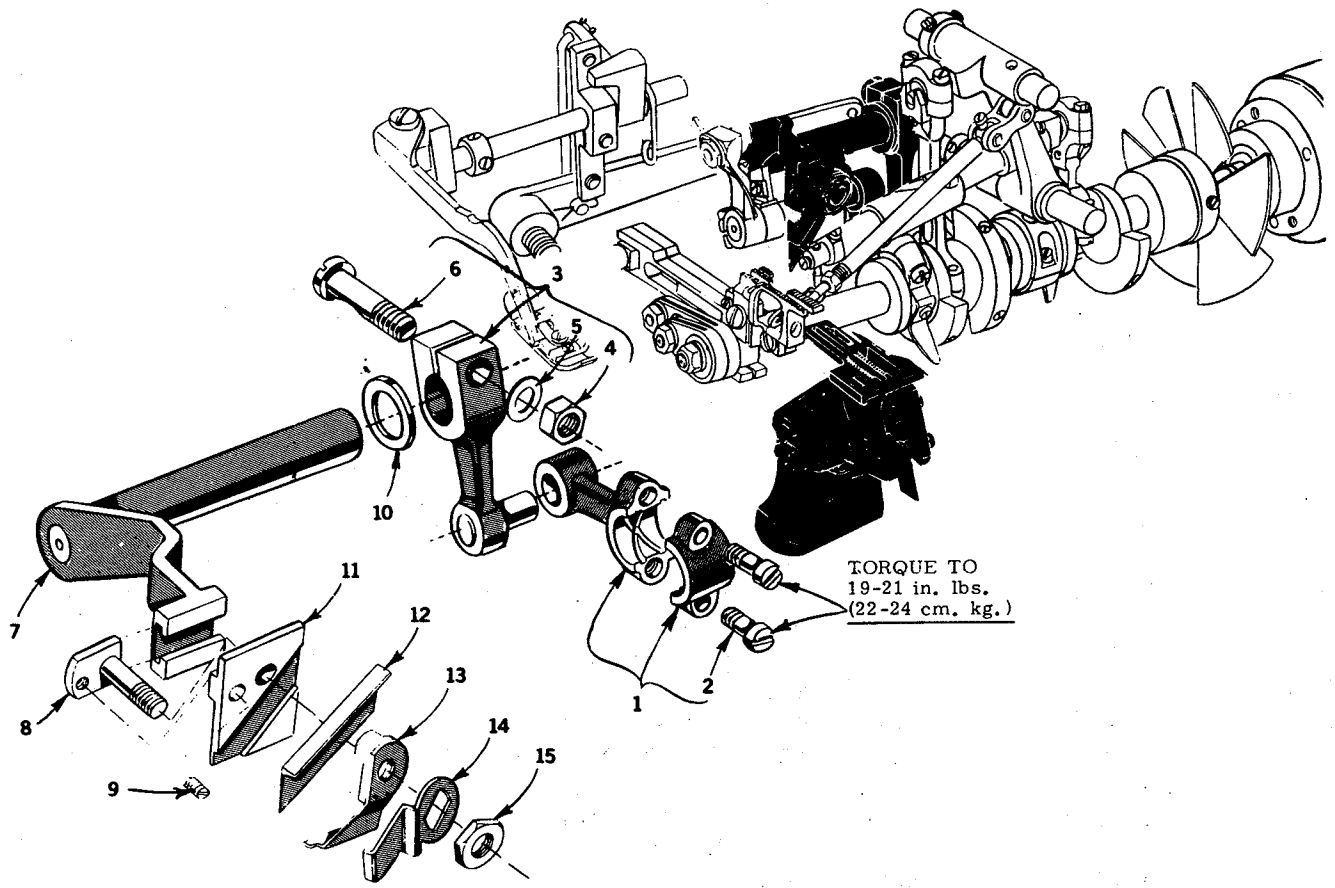
| <u>Ref. No.</u> | <u>Part No.</u> | <u>Description</u> | <u>Amt. Req.</u> |
|-----------------|-----------------|---|------------------|
| 1 | 22769 B | Screw, for pulley cap ----- | 1 |
| 2 | 39521 D | Pulley Cap ----- | 1 |
| 3 | 39521 G | Pulley ----- | 1 |
| 4 | 95 | Screw, for pulley ----- | 2 |
| 5 | 22569 Y | Screw, for crankshaft ball bearing retaining plate - | 3 |
| 6 | 39590 H | Crankshaft Ball Bearing Retaining plate ----- | 1 |
| 7 | 660-835 | Crankshaft Ball Bearing ----- | 1 |
| 8 | 39590 G | Crankshaft Ball Bearing Housing ----- | 1 |
| 9 | 39590 J | Thrust Washer ----- | 1 |
| 10 | 39591 L | Crank Chamber Cooling Fan ----- | 1 |
| 11 | 39591 H | Crank Chamber Cooling Fan Collar ----- | 1 |
| 12 | 22894 D | Spot Screw, for crank chamber cooling fan collar --- | 2 |
| 13 | 39590 Y | Crankshaft Bearing, inner right ----- | 1 |
| 14 | 660-443 | "O" Ring, for crankshaft bearing, inner right - | 1 |
| 15 | 660-764 | Oil Seal ----- | 1 |
| 16 | 22565 F | Screw, for crankshaft bearing, inner right ----- | 1 |
| 17 | 39590 D | Crankshaft Split Bearing ----- | 1 |
| 18 | 97 A | Screw, for crankshaft split bearing ----- | 2 |
| 19 | 29477 JM | Crankshaft and Needle Driving Arm Crank Assembly --- | 1 |
| 20 | 29477 MC | Needle Driving Arm Crank and Connecting Rod Assembly ----- | 1 |
| 21 | 22768 C | Screw, for needle driving arm connecting rod pin ----- | 1 |
| 22 | 22596 H | Screw, for needle driving arm crank ----- | 1 |
| 23 | 22587 M | Screw, for needle driving arm connecting rod ----- | 2 |
| 24 | 51-228 Blk. | Vent Plug ----- | 1 |
| 25 | 39541 A | Feed Driving Eccentric Key ----- | 1 |
| 26 | 40-46 | Washer ----- | 1 |
| 27 | 39593 U-126 | Metering Pin, Marked "B" ----- | 1 |
| 28 | 39536 FN | Nut, for crankshaft ----- | 1 |
| 29 | 39591 B | Crankshaft Counterweight, right ----- | 1 |
| 30 | 22747 B | Screw, for crankshaft counterweights ----- | 6 |
| 31 | 39590 N | Stud, for crankshaft split bearing ----- | 1 |
| 32 | 39591 A | Crankshaft Counterweight, middle ----- | 1 |
| 33 | 39591 K | Crankshaft Counterweight, left ----- | 1 |
| 34 | 87 U | Screw, for oil Splasher ----- | 1 |
| 35 | 39594 N | Oil Splasher ----- | 1 |
| 36 | 666-94 | Oil Wick and Spring ----- | 1 |
| 37 | 39590 | Crankshaft Bushing, left ----- | 1 |
| 38 | 39590 T | Crankshaft Bushing, inner left ----- | 1 |
| 39 | 39544 X | Lower Looper Bar Bushing ----- | 1 |
| 40 | 39552 Z | Needle Driving Arm Crank Bushing, right ----- | 1 |
| 41 | 39573 AA | Upper Knife Driving Arm Bushing, right ----- | 1 |
| 42 | 39555 N | Foot Lifter Shaft Bushing, right ----- | 1 |
| 43 | 39555 P | Foot Lifter Shaft Bushing, left ----- | 1 |
| 44 | 39573 K | Upper Knife Driving Arm Crank Bushing, left ----- | 1 |
| 45 | 39552 AL | Needle Driving Arm Crank Bushing, left ----- | 1 |



UPPER AND LOWER LOOPER DRIVING PARTS

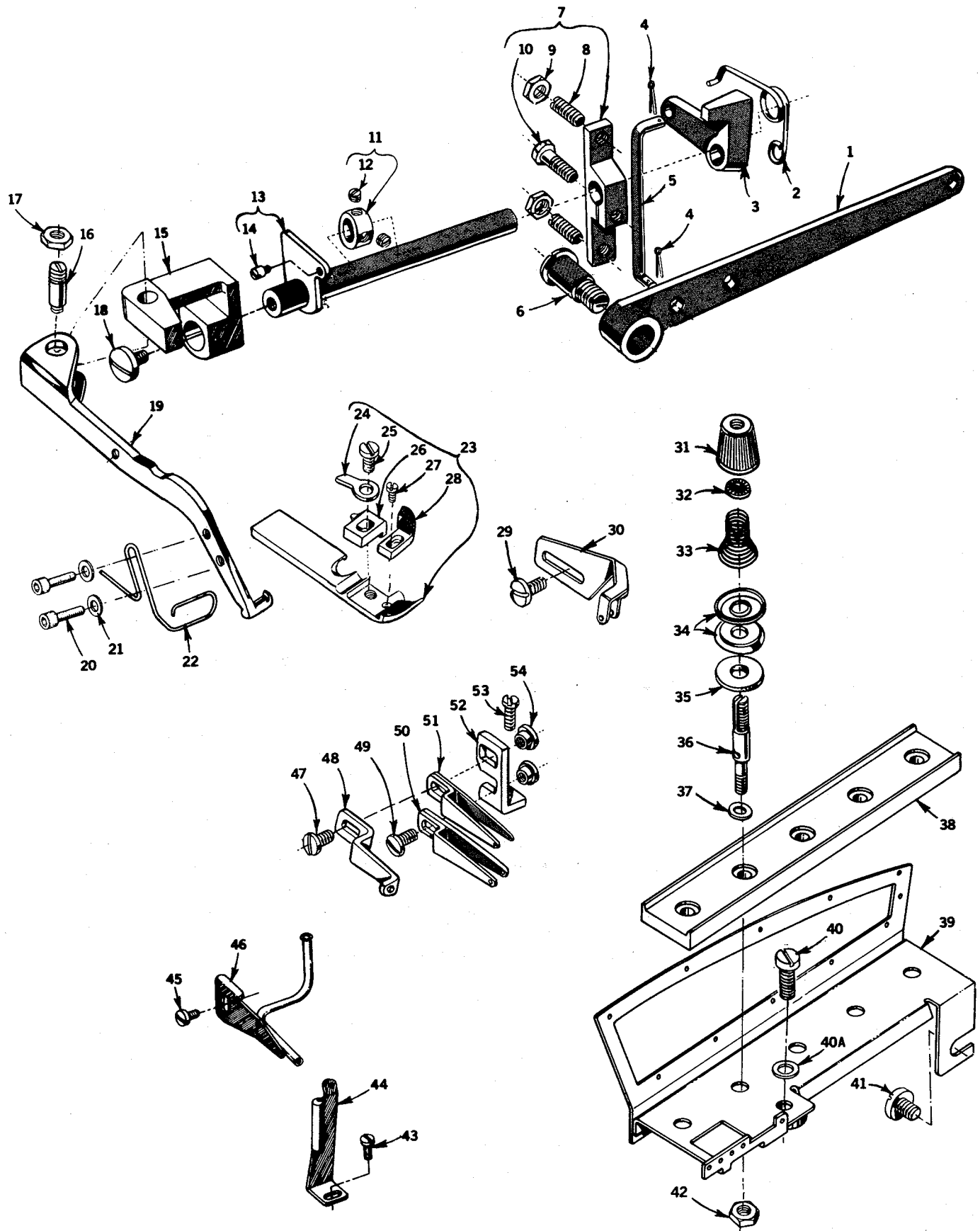
| <u>Ref. No.</u> | <u>Part No.</u> | <u>Description</u> | <u>Amt. Req.</u> |
|-----------------|-----------------|---|------------------|
| 1 | 39508 A | Upper Looper, marked "CC" ----- | 1 |
| 2 | 39543 | Upper Looper Holder ----- | 1 |
| 3 | 22564 G | Screw, for upper looper ----- | 1 |
| 4 | 39543 A | Upper Looper Holder Collar ----- | 1 |
| 5 | 77 | Screw, for upper looper holder collar ----- | 1 |
| 6 | 22565 H | Spot Screw, for bushing and cam guide ----- | 1 |
| 7 | 1025 L | Lock Screw, for bushing and cam guide screw ----- | 1 |
| 8* | 39543 T | Cam Follower ----- | 1 |
| 9* | 39543 S | Bushing and Cam Guide ----- | 1 |
| 10* | 39543 K | Upper Looper Drive Shaft ----- | 1 |
| 11 | 22503 F | Screw, for cam follower locking clamp ----- | 1 |
| 12 | 39543 E | Cam Follower Locking Clamp ----- | 1 |
| 13 | 97 | Screw, for ball joint guide fork ----- | 2 |
| 14 | 39544 J | Ball Joint Guide Fork, for upper looper drive lever -- | 1 |
| 15 | 482 C | Upper Looper Shaft Collar ----- | 1 |
| 16 | 22894 C | Set Screw, for upper looper shaft collar ----- | 2 |
| 17 | 22565 | Set Screw, for upper looper rock shaft ----- | 1 |
| 18 | 39543 X | Upper Looper Drive Lever Shaft ----- | 1 |
| 19 | 22565 S | Spot Screw, for upper looper drive lever shaft ----- | 1 |
| 20 | 39543 W | Upper Looper Drive Lever ----- | 1 |
| 21 | 39543 AJ | Clamp Collar, for upper looper drive shaft ----- | 1 |
| 22 | 22875 L | Screw, for clamp collar ----- | 1 |
| 23 | 39543 P | Upper Looper Drive Shaft Thrust Washer ----- | 2 |
| 24 | 39543 AK | Upper Looper Drive Lever Connecting Rod ----- | 1 |
| 25 | 39543 AF | Nut, barrel ----- | 4 |
| 26 | 87 U | Screw, for oil splasher ----- | 1 |
| 27 | 39594 N | Oil Splasher ----- | 1 |
| 29 | 77 | Screw, for lower looper bar connecting link pin ----- | 1 |
| 30 | 39544 B | Lower Looper Bar Connecting Link ----- | 1 |
| 31 | 39544 D | Lower Looper Bar Connecting Link Pin ----- | 2 |
| 32 | 77 | Screw, for lower looper bar connecting link pin ----- | 1 |
| 33 | 22894 AE | Set Screw, for lower looper driving shaft ----- | 2 |
| 34 | 482 C | Lower Looper Driving Shaft Collar ----- | 1 |
| 35 | 22894 C | Set Screw, for lower looper driving shaft collar ----- | 2 |
| 36 | 660-206 | "O" Ring, for lower looper driving shaft ----- | 1 |
| 37 | 39544 V | Lower Looper Driving Shaft ----- | 1 |
| 38 | 39508 P | Lower Looper ----- | 1 |
| 39 | 39151 | Nut, for lower looper bar ----- | 1 |
| 40 | 39544 | Lower Looper Bar ----- | 1 |
| 41 | 39594 N | Oil Splasher ----- | 1 |
| 42 | 87 U | Screw, for oil splasher ----- | 1 |
| 43 | 29126 DF | Lower Looper Bar Driving Lever and Connecting Rod Assembly ----- | 1 |
| 44 | 39544 N | Lower Looper Drive Lever Connecting Rod ----- | 1 |
| 45 | 22729 E | Screw, for connecting Rod ----- | 2 |
| 46 | 22729 D | Screw, for connecting rod ----- | 2 |
| 47 | 39544 S | Ball Joint Guide Fork ----- | 1 |
| 48 | 97 | Screw, for ball joint guide fork ----- | 2 |
| 49 | 39544 U | Lower Looper Bar Driving Lever ----- | 1 |

* The use of assembly No. 29126 EC is recommended instead of the individual parts.



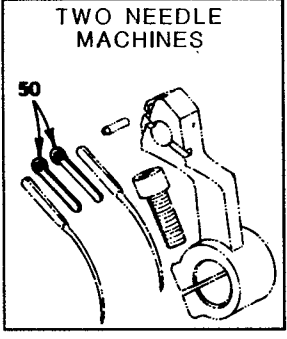
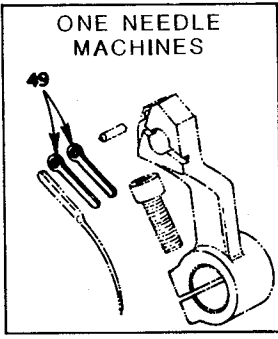
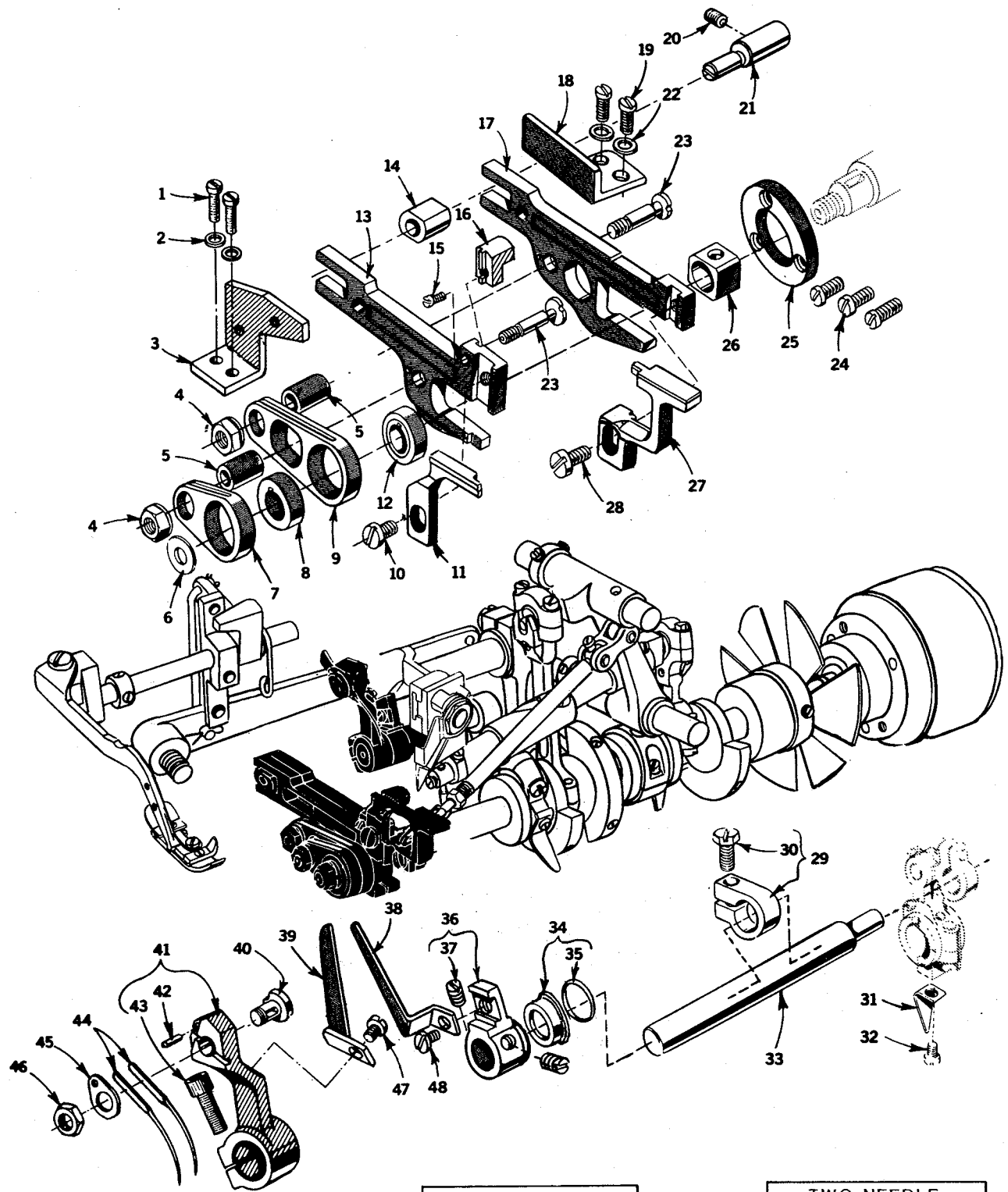
UPPER AND LOWER KNIFE

| <u>Ref. No.</u> | <u>Part No.</u> | <u>Description</u> | <u>Amt. Req.</u> |
|-----------------|-----------------|---|------------------|
| 1 | 39573 AD | Upper Knife Driving Connecting Rod ----- | 1 |
| 2 | 22587 J | Screw, for upper knife driving connection rod - | 2 |
| 3 | 39573 E | Upper Knife Driving Lever ----- | 1 |
| 4 | 55235 E | Nut, for upper knife driving lever ----- | 1 |
| 5 | 6042 A | Washer, for upper knife driving lever ----- | 1 |
| 6 | 55235 D | Locking Stud, for upper knife driving lever --- | 1 |
| 7 | 39573 H | Upper Knife Driving Arm ----- | 1 |
| 8 | 39571 D | Upper Knife Clamp Stud ----- | 1 |
| 9 | 22738 | Screw, for upper knife clamp stud ----- | 1 |
| 10 | 39573 A | Upper Knife Driving Arm Washer ----- | 1 |
| 11 | 39572 | Upper Knife Holder Block ----- | 1 |
| 12 | 39570 | Upper Knife ----- | 1 |
| 13 | 39571 F | Upper Knife Clamp ----- | 1 |
| 14 | 39571 B | Upper Knife Chain Guard ----- | 1 |
| 15 | 14077 | Nut, for upper knife clamp stud ----- | 1 |
| 16 | 39525 | Needle Guard, front ----- | 1 |
| 17 | 39525 E | Needle Guard, rear ----- | 1 |
| 18 | 22585 A | Screw, for needle guards ----- | 2 |
| 19 | 39580 AJ | Throat Plate and Lower Knife Support Bracket ----- | 1 |
| 20 | 22653 B-12 | Screw, for throat plate and lower knife support bracket ----- | 2 |
| 21 | 39580 F | Washer, for throat plate and lower knife support bracket ----- | 2 |
| 22 | 14077 | Nut, for lower knife holder locking screw ----- | 1 |
| 23 | 22892 B | Locking Screw, for lower knife holder ----- | 1 |
| 24 | 39550 C | Lower Knife Holder Locating Stud ----- | 1 |
| 25 | 22729 B | Screw, for lower knife holder locking stud ----- | 1 |
| 26 | 39550 AK | Lower Knife Holder ----- | 1 |
| 27 | 39549 | Lower Knife ----- | 1 |
| 28 | 39550 AC | Knife Guide Plate ----- | 1 |
| 29 | 39550 AE | Lower Knife Clamp Spring ----- | 1 |
| 30 | 605 A | Screw, for lower knife clamp spring ----- | 1 |
| 31 | 22588 J | Screw, for lower knife clamp ----- | 1 |
| 32 | 39550 AD | Lower Knife Clamp ----- | 1 |
| 33 | 39550 E | Lower Knife Holder Spring ----- | 1 |
| 34 | C39524 BR | Throat Plate, Marked "LD", for Single Needle Machines ----- | 1 |
| 35 | 22524 | Screw, for throat plate ----- | 1 |
| 36 | C39524 BA-1/8 | Throat Plate, Marked "EM", for Two Needle Machines ----- | 1 |



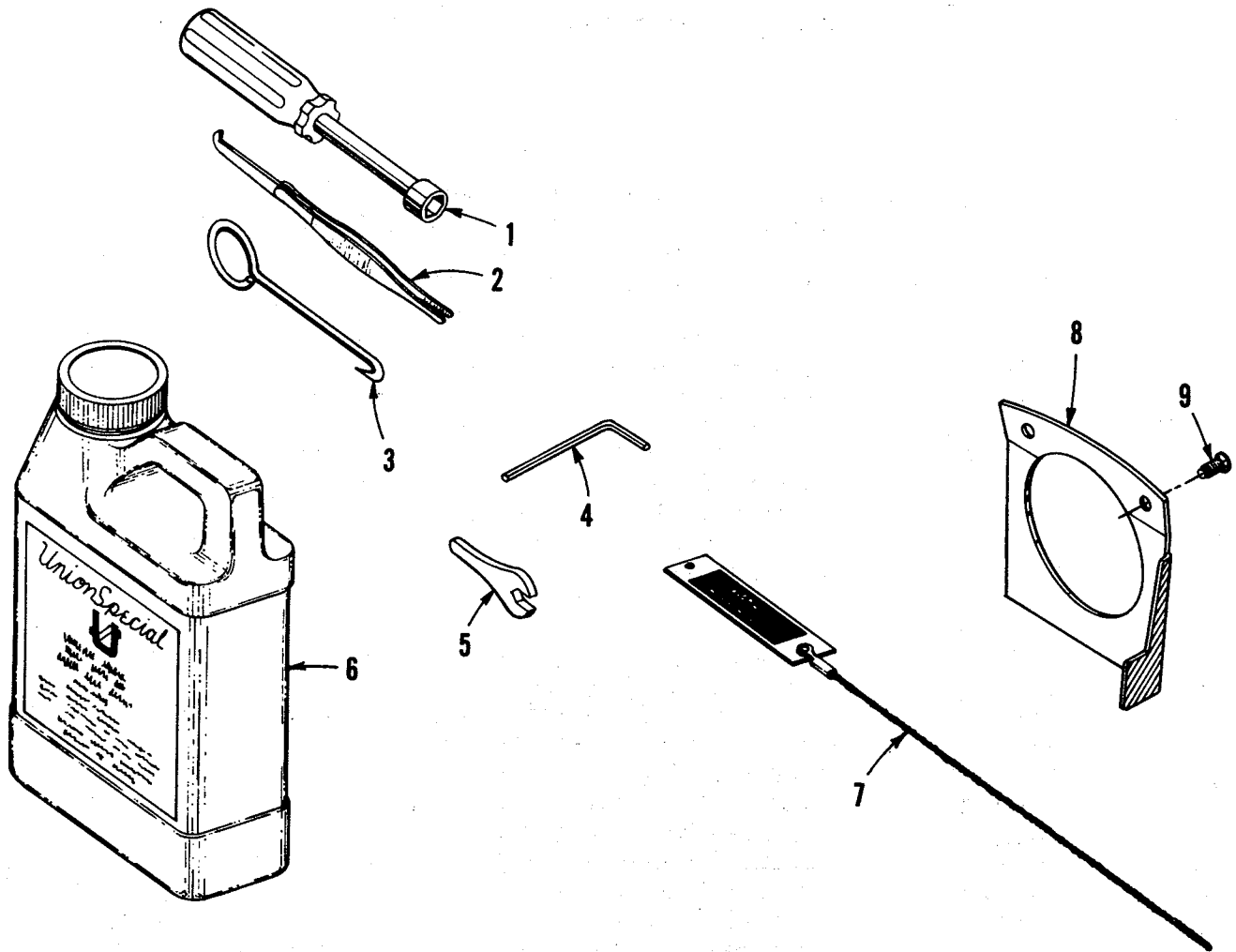
FOOT LIFTER, THREAD TENSION
PARTS AND MISCELLANEOUS EYELETS

| Ref. No. | Part No. | Description | Amt. Req. |
|-------------|-------------|--|--------------|
| 1 | 39855 | Foot Lifter Lever ----- | 1 |
| 2 | 39555 B | Foot Lifter Lever Spring ----- | 1 |
| 3 | 39555 D | Foot Lifter Intermediate Lever ----- | 1 |
| 4 | 660-142 | Cotter Pin, for foot lifter lever connecting link ----- | 2 |
| 5 | 39555 F | Foot Lifter Lever Connecting Link ----- | 1 |
| 6 | 22566 B | Screw, for foot lifter lever ----- | 1 |
| 7 | 39555 C | Foot Lifter Lever Arm ----- | 1 |
| 8 | 22597 E | Set Screw, for foot lifter lever arm ----- | 2 |
| 9 | 12538 | Lock Nut, for foot lifter lever arm ----- | 2 |
| 10 | 627 | Screw, for foot lifter lever arm ----- | 1 |
| 11 | 12865 | Foot Lifter Lever Shaft Thrust Collar ----- | 1 |
| 12 | 88 | Screw, for foot lifter lever shaft collar ----- | 2 |
| 13 | 39555 AE | Presser Arm Support Bracket Shaft ----- | 1 |
| 14 | 22845 B | Screw ----- | 1 |
| 15 | 39555 AF | Presser Arm Support Bracket ----- | 1 |
| 16 | 22791 H | Screw Pin, for presser arm ----- | 1 |
| 17 | 258 A | Nut, for presser arm screw ----- | 1 |
| 18 | 88 D | Screw ----- | 1 |
| 19 | 39556 S | Presser Arm ----- | 1 |
| 20 | 99360 | Screw ----- | 2 |
| 21 | 95956 | Washer ----- | 2 |
| 22 | 99682 L | Finger Guard ----- | 1 |
| 23 | 39520 BA | Presser Foot ----- | 1 |
| 24 | 39530 G | Hinge Spring ----- | 1 |
| 25 | 22768 B | Screw, for stitch tongue and hinge spring ----- | 1 |
| 26 | 39597 AB | Stitch Tongue, Marked "EK" ----- | 1 |
| 27 | 22738 | Screw, for chip guard ----- | 1 |
| 28 | 39530 P | Chip Guard ----- | 1 |
| 29 | 22569 D | Screw ----- | 1 |
| 30 | 39563 N | Needle Thread Eyelet ----- | 1 |
| 31 | 39592 Z | Needle Tension Nut, Yellow, Left ----- | 1 |
| | 39592 AA | Needle Tension Nut, Green, right ----- | 1 |
| | 39592 AB | Upper Loper Tension Nut, Blue ----- | 1 |
| | 39592 AC | Lower Loper Tension Nut, Red ----- | 1 |
| 32 | 39592 AK | Tension Spring Ferrule ----- | 1 |
| 33 | 39592 AR-5 | Needle Thread Tension Spring, left, 2 needle machines ----- | 1 |
| | 39592 AR-4 | Needle Thread Tension Spring, right, 2 needle machines ----- | 1 |
| | 39592 AR-1 | Looper Thread Tension Spring, 2 needle machines ----- | 2 |
| | 39592 AR-2 | Needle Thread Tension Spring, single needle machines ----- | 1 |
| | 39592 AR-4 | Looper Thread Tension Spring, single needle machines ----- | 2 |
| 34 | 39592 AD | Thread Tension Disc ----- | 6 or 8 |
| 35 | 39592 AF | Tension Disc Felt ----- | 3 or 4 |
| 36 | 39592 AL | Tension Post ----- | 3 or 4 |
| 37 | 8372 A | Washer ----- | 3 or 4 |
| 38 | 39592 AN | Tension Post Bar ----- | 1 |
| 39 | 39592 AG-5 | Tension Post Mounting Bracket ----- | 1 |
| 40 | 22806 A | Screw, for tension mounting bracket ----- | 1 |
| 40 A | 40-46 | Washer ----- | 1 |
| 41 | 22847 B | Screw, for tension post mounting bracket ----- | 1 |
| 42 | 39592 AH | Nut, for tension post ----- | 3 or 4 |
| 43 | 22541 B | Screw ----- | 1 |
| 44 | 39582 EW | Feed Bar Cover Latch ----- | 1 |
| 45 | 88 A | Screw ----- | 1 |
| 46 | 39568 AK | Thread Tube Bracket Assembly ----- | 1 |
| 47 | 376 A | Screw, for upper looper thread eyelet ----- | 1 |
| 48 | 39568 E | Auxiliary Lower Loper Thread Eyelet ----- | 1 |
| 49 | 376 A | Screw, for lower looper thread eyelet ----- | 1 |
| 50 | 39568 B | Lower Loper Thread Eyelet ----- | 1 |
| 51 | 39568 L | Upper Loper Thread Eyelet ----- | 1 |
| 52 | 39568 AD | Looper Thread Eyelet Mounting Bracket ----- | 1 |
| 53 | 22569 B | Screw, for looper thread eyelet mounting bracket ----- | 1 |
| 54 | 43139 A | Nut, for looper thread eyelet screw ----- | 2 |



NEEDLE DRIVE AND FEED MECHANISM

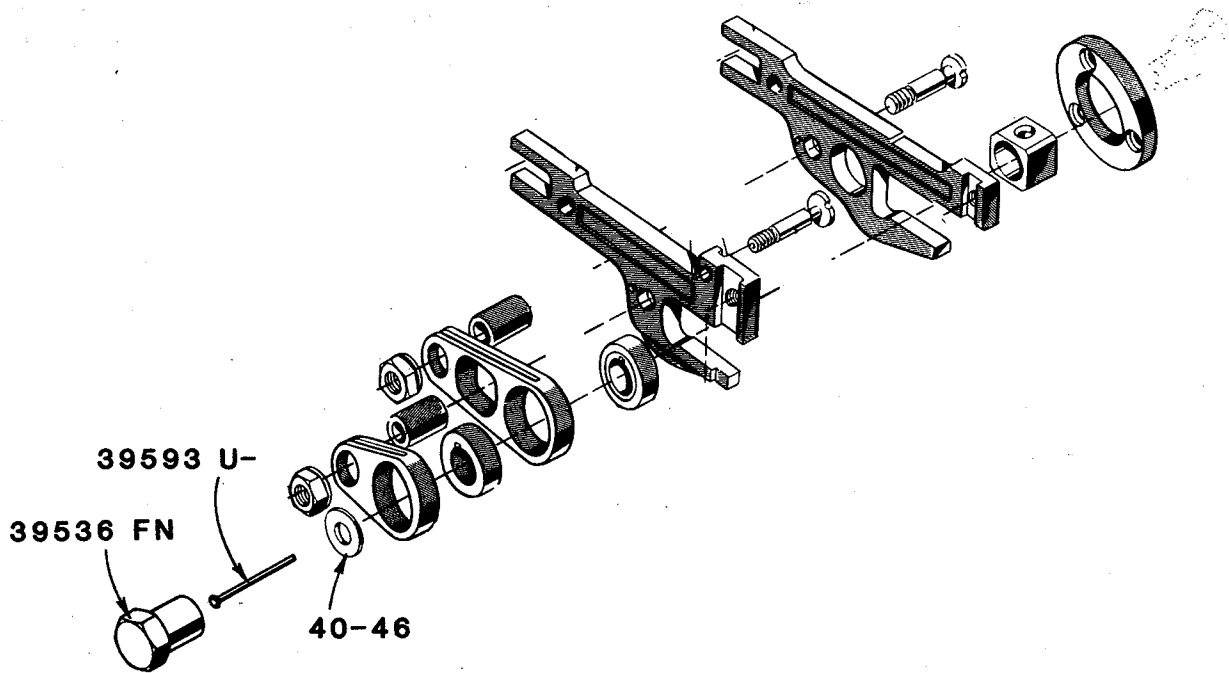
| <u>Ref. No.</u> | <u>Part No.</u> | <u>Description</u> | <u>Amt. Req.</u> |
|-----------------|-----------------|---|------------------|
| 1 | 22541 B | Screw, for main feed bar guide, left ----- | 2 |
| 2 | 8372 A | Washer, for main feed bar guide screw ----- | 2 |
| 3 | 39535 T | Main Feed Bar Guide, left ----- | 1 |
| 4 | 39536 E | Nut, for feed bar driving stud ----- | 2 |
| 5 | 39536 C | Feed Bar Driving Stud Bushing ----- | 2 |
| 6 | 40-46 | Washer, for crankshaft ----- | 1 |
| 7 | 39536 AF | Main Feed Bar Driving Connection ----- | 1 |
| 8 | 39540 B-12 | Main Feed Driving Eccentric ----- | 1 |
| 9 | 39536 AE | Differential Feed Bar Driving Connection ----- | 1 |
| 10 | 93 A | Screw, for main feed dog ----- | 1 |
| 11 | 39505 AB | Main Feed Dog ----- | 1 |
| 12 | 39540 B-14 | Differential Feed Driving Eccentric ----- | 1 |
| 13 | 39534 AC | Main Feed Bar ----- | 1 |
| 14 | 39535 J | Feed Bar Guide Block ----- | 1 |
| 15 | 22797 A | Screw for knife drive block ----- | 1 |
| 16 | 39573 DA | Knife Drive Block ----- | 1 |
| 17 | 39534 G | Differential Feed Bar ----- | 1 |
| 18 | 39535 U | Differential Feed Bar Guide, right ----- | 1 |
| 19 | 22569 B | Screw, for differential feed bar guide, right ----- | 2 |
| 20 | 22894 R | Screw, for feed adjusting pin ----- | 1 |
| 21 | 39535 AB | Feed Adjusting Pin, marked "C" ----- | 1 |
| 22 | 53634 C | Washer, for differential feed bar guide screw ----- | 2 |
| 23 | 39535 B | Feed Bar Driving Stud ----- | 2 |
| 24 | 22569 G | Screw, for thrust washer ----- | 3 |
| 25 | 39534 AF | Differential Feed Bar Thrust Washer ----- | 1 |
| 26 | 39538 | Feed Lift Block ----- | 1 |
| 27 | 39526 AB | Differential Feed Dog ----- | 1 |
| 28 | 22528 | Screw, for differential feed dog ----- | 1 |
| 29 | 39543 Y | Needle Drive Shaft Thrust Collar ----- | 1 |
| 30 | 22782 A | Screw, for needle drive shaft thrust collar ----- | 1 |
| 31 | 39594 N | Oil Splasher ----- | 1 |
| 32 | 87 U | Screw, for oil splasher ----- | 1 |
| 33 | 39522 AN | Needle Driving Shaft ----- | 1 |
| 34 | 39552 AG | Oil Seal, for needle driving shaft ----- | 1 |
| 35 | 660-207 | Oil Seal Ring ----- | 1 |
| 36 | 39568 AL | Looper Thread Pull-off Lever ----- | 1 |
| 37 | 88 B | Screw, for looper thread pull-off lever ----- | 2 |
| 38 | 39568 AH | Looper Thread Pull-off ----- | 1 |
| 39 | 39563 P | Needle Thread Cam Pull-off ----- | 1 |
| 40 | 39551 S | Needle Clamp Stud ----- | 1 |
| 41 | 39552 AW | Needle Driving Arm, marked "X" ----- | 1 |
| 42 | 39552 AD | Stop Pin, for needle ----- | 1 |
| 43 | 22596 E | Screw, for needle driving arm ----- | 1 |
| 44 | 154 GFS | Needle, for two needle machines ----- | 2 |
| | 154 GHS | Needle, for single needle machines ----- | 1 |
| 45 | 39551 R | Needle Clamp Washer ----- | 1 |
| 46 | 14077 A | Nut, for needle clamp stud ----- | 1 |
| 47 | 87 U | Screw, for needle thread cam pull-off ----- | 1 |
| 48 | 22513 | Screw, for looper thread pull-off ----- | 1 |
| 49 | 39551 L | Needle Spacer, (.022 inch)(.556 mm) Thick for one needle machines ----- | 1 |
| 50 | 39551 P | Needle Spacer, (.012 inch)(.305 mm) Thick, for two needle machines ----- | 1 |



ACCESSORIES

| <u>Ref. No.</u> | <u>Part No.</u> | <u>Description</u> | <u>Amt. Req.</u> |
|-----------------|-----------------|--------------------------------|------------------|
| 1 | 21388-AU | Socket Wrench, Size 3/8" ----- | 1 |
| 2 | 118 | Tweezers ----- | 1 |
| 3 | 21227 BF | Feed Eccentric Hook ----- | 1 |
| 4 | WR65 | Allen Wrench, Size 1/16" ----- | 1 |
| 5 | 116 | Wrench, Size 9/32 ----- | 1 |
| 6 | 28604 R | Machine oil 16 Fl. oz. ----- | 1 |
| 7 | 39899 A | Looper Threader ----- | 1 |
| 8 | 21375 BB | Belt Guard ----- | 1 |
| 9 | 80 | Belt Guard Screws ----- | 2 |
| (not shown) | | Plastic Machine Cover ----- | 1 |
| (not shown) | | Threading Diagram ----- | 1 |

OIL METERING PIN



Beginning with machine serial number 1620485 the wood oil metering plug is now being replaced by a steel metering pin which is inserted inside the main shaft on all Class 39500 Machines.

The pin is easy to remove. On the "Mark IV" machines the head is protruding beyond the end of the shaft and it can be pulled out with a tweezers. With the wood plug the rate of oil flow was determined by the grain of the wood itself and could not be varied or adjusted. The steel pin, on the other hand, can be easily replaced with a slightly larger or smaller diameter pin to reduce or increase the flow to a precise degree.

NOTE: One final point - metering pins can not be added to machines with serial numbers below 1620485, because the crankshafts are not prepared for them. A new crankshaft assembly would have to be installed with the pre-selected metering pin in it.

| 39593 U | METERING PIN SIZE CHART | |
|--------------|-------------------------|-------|
| | PIN DIAMETER | |
| | INCH | mm |
| 39593 U-125 | 0.1250 | 3.175 |
| 39593 U-126 | 0.1260 | 3.200 |
| 39593 U-1265 | 0.1265 | 3.213 |
| 39593 U-127 | 0.1270 | 3.225 |
| 39593 U-1275 | 0.1275 | 3.238 |
| 39593 U-128 | 0.1280 | 3.251 |
| 39593 U-1285 | 0.1285 | 3.263 |
| 39593 U-129 | 0.1290 | 3.276 |

MACHINE INVENTORY INFORMATION

| Unit Number | Maker's Name | Machine Style | Serial Number | Needle Type | Date Of Purchase |
|-------------|--------------|---------------|---------------|-------------|------------------|
| | | | | | |
| | | | | | |
| | | | | | |
| | | | | | |
| | | | | | |
| | | | | | |
| | | | | | |
| | | | | | |
| | | | | | |
| | | | | | |
| | | | | | |
| | | | | | |
| | | | | | |
| | | | | | |
| | | | | | |
| | | | | | |
| | | | | | |
| | | | | | |
| | | | | | |
| | | | | | |
| | | | | | |
| | | | | | |

ADDITIONAL INFORMATION: _____



Union Special
INDUSTRIAL SEWING EQUIPMENT