

MITSUBISHI

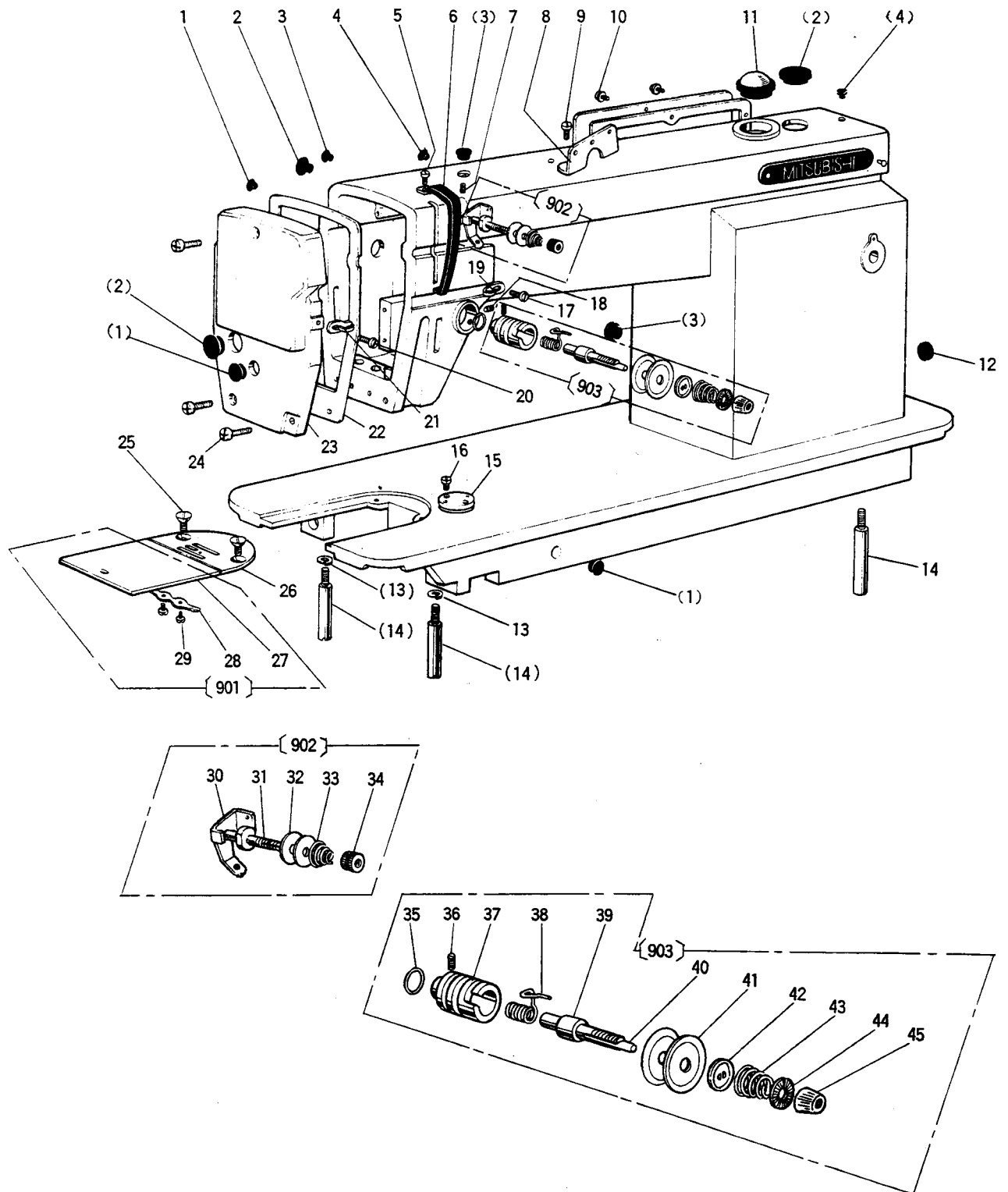
三菱工業用ミシン部品カタログ

Industrial Sewing Machine Parts Catalog

Model LS2-1180

目次	INDEX	Page
Ⓐ 本 体 関 係	Arm bed & it's accessories	2
Ⓑ 縫 い 機 構 (I)	Sewing mechanism (I)	4
Ⓒ 縫い機構(II) および水平送り軸、 上下送り軸機構	Sewing mechanism (II) & Feed rock shaft, feed lifting rock shaft mechanism	6
Ⓓ 送 り 調 節 機 構	Stitch length regulator mechanism	8
Ⓔ 押 え 機 構	Presser foot mechanism	10
Ⓕ 糸 切 り 機 構	Knife actuating mechanism	12
Ⓖ タッチバック機構 および検出器機構	Touch back mechanism & Detector mechanism	14
Ⓗ フ ィ バ ー 機 構	Wiper mechanism	16
Ⓙ 給 油 機 構	Oil lubrication mechanism	18
Ⓚ 付 属 品	Accessories	20
Ⓛ 索 引	Index	22

A 本体関係
ARM BED & IT'S ACCESSORIES

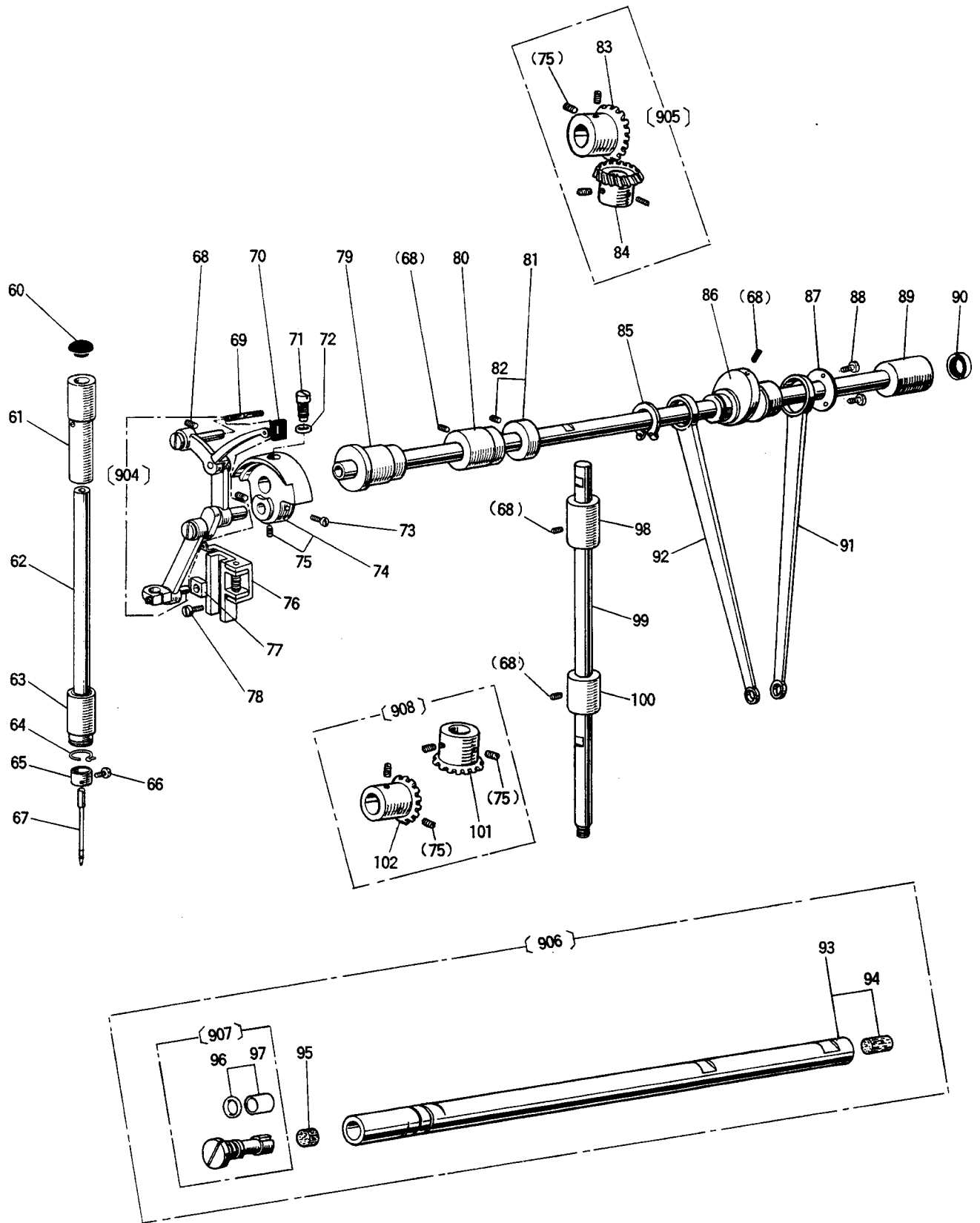


A 本体関係

ARM BED & IT'S ACCESSORIES

Fig. No.	部品コード Parts. No.	部品名	Description	使用個数 Amt. Reg.			
				LIT (個)	MIT (個)	HIT (個)	BIT
A1	M91182080	ゴム栓φ11.8	Rubber plug φ11.8	3	3	3	3
A2	M91910080	ゴム栓φ19	Rubber plug φ19	3	3	3	3
A3	M90883080	ゴム栓φ8.8	Rubber plug φ8.8	3	3	3	3
A4	M90573080	ゴム栓φ5.7	Rubber plug φ5.7	2	2	2	2
A5	M91110004	ブ ラマネジ 11/64 (40) × 8	Cross recessed and slotted screw 11/64 (40) × 8	1	1	1	1
A6	MF01A0584	天 秤 加 帽	Thread take-up cover	1	1	1	—
A6	MF03A0584	天 秤 加 帽	Thread take-up cover	—	—	—	1
A7	M91108001	止 ね じ 11/64 (40) × 5.5	Set screw 11/64 (40) × 5.5	1	1	1	1
A8	MF36A1180	アーム系案内上	Thread guide (arm top)	1	1	1	1
A9	M91116002	平 ね じ 11/64 (40) × 8	Screw 11/64 (40) × 8	1	1	1	1
A10	M91109004	PW付ブ ラマネジ 11/64 (40) × 8	Cross recessed slotted screw-PW11/64 (40) × 8	6	6	6	6
A11	MF20A0135	油 窓	Oil check window	1	1	1	1
A12	M92701080	ゴム栓φ27	Rubber plug φ27	1	1	1	1
A13	M90106053	ハネ座金6	Spring washer 6	2	2	2	2
A14	MF10A0151	脚	Leg	3	3	3	3
A15	MF01A0601	定規取付板	Cloth guide plate	1	1	1	1
A16	M91107002	平 ね じ 11/64 (40) × 5.5	Screw 11/64 (40) × 5.5	2	2	2	2
A17	M90943003	丸 平 ね じ 9/64 (40) × 6	Screw 9/64 (40) × 6	1	1	1	1
A18	M91508001	止 ね じ 15/64 (28) × 6	Set screw 15/64 (28) × 6	1	1	1	1
A19	MG43A0181	アーム系案内右	Thread guide (right)	—	—	—	1
A19	MF80A0181	アーム系案内右	Thread guide (right)	1	1	1	—
A20	M90909003	丸 平 ね じ 9/64 (40) × 6	Screw 9/64 (40) × 6	1	1	1	1
A21	MF10A0181	アーム系案内左	Thread guide (left)	—	1	1	—
A21	MG43A1181	アーム系案内左	Thread guide (left)	1	—	—	1
A22	MF01A1691	面 板 ガ ス ケ ッ ト	Face plate gasket	1	1	1	1
A23	MF01A0830	面 板	Face plate	1	1	1	1
A24	M91111004	ブ ラマネジ 11/64 (40) × 10	Cross recessed and slotted screw 11/64 (40) × 10	3	3	3	3
A25	M91106011	丸 皿 ね じ 11/64 (40) × 7	Slotted counter sunk screw 11/64 (40) × 7	2	2	2	2
A26	MF00B2101	針 板 A14P	Needle plate A14P	1	—	—	—
A26	MF95A1101	針 板 B1.6	Needle plate B1.6	—	1	—	—
A26	MF26B0101	針 板 B2.6	Needle plate B2.6	—	—	1	1
A27	—	ス べ り 板	Slide plate	1	1	1	1
A28	MF10A0471	板 ば ね (ス べ り 板)	Plate spring for slide plate	1	1	1	1
A29	M90604002	平 ね じ 3/32 (56) × 2.2	Screw 3/32 (56) × 2.2	2	2	2	2
A30	MF00A0181	系案内	Thread guide	1	1	1	1
A31	MF90A0553	系案内調子棒	Pre-tension stud	1	1	1	1
A32	MF10A1555	系案内皿	Thread tension disc	2	2	2	2
A33	MF36A0245	プ レテンションばね	Pre-tension spring	1	1	1	1
A34	M91101046	ツマミナット 11/64 (40)	Pre-tension adjusting nut 11/64 (40)	1	1	1	1
A35	M91202085	Oリング S12.5	O-ring S12.5	1	1	1	1
A36	M90902001	止 ね じ 9/64 (40) × 4.5	Set screw 9/64 (40) × 4.5	1	1	1	1
A37	MF01A0709	ブ ヅ ヌ (系調子器)	Thread tension regulator bushing	1	1	1	1
A38	MF10A0187	系取りばね(系調子器)	Thread take-up spring	1	1	—	—
A38	MF02A0187	系取りばね(系調子器)	Thread take-up spring	—	—	1	1
A39	MF10A0553	調子棒(系調子器)	Thread tension stud	1	1	—	—
A39	MF02A0553	調子棒(系調子器)	Thread tension stud	—	—	1	1
A40	M90204060	ピン(系調子器)	Thread tension releasing pin	1	1	1	1
A41	MF10A0555	系調子皿(系調子器)	Thread tension disc	2	2	2	2
A42	MN11A0556	調子皿押I(系調子器)	Thread tension releasing disc	1	1	1	1
A43	MN10A3245	系調子ばね(系調子器)	Thread tension spring	1	1	—	—
A43	MF02A1245	系調子ばね(系調子器)	Thread tension spring	—	—	1	1
A44	MT60A0802	回り止め(系調子器)	Thumb nut revolution stopper	1	1	1	1
A45	M91605045	系調子ナット(系調子器) 1/4 (40)	Thumb nut 1/4 (40)	1	1	1	1
A901	MF10E0470	ス べ り 板 組	Slide plate assy.	1	1	1	1
A902	MF00E0550	プ レテンション組	Pre-tension assy.	1	1	1	1
A903	MF01E0210	系調子組	Thread tension regulator assy.	1	1	—	—
A903	MF03E0210	系調子組	Thread tension regulator assy.	—	—	1	1

B 縫い機構 (I)
 SEWING MECHANISM (I)

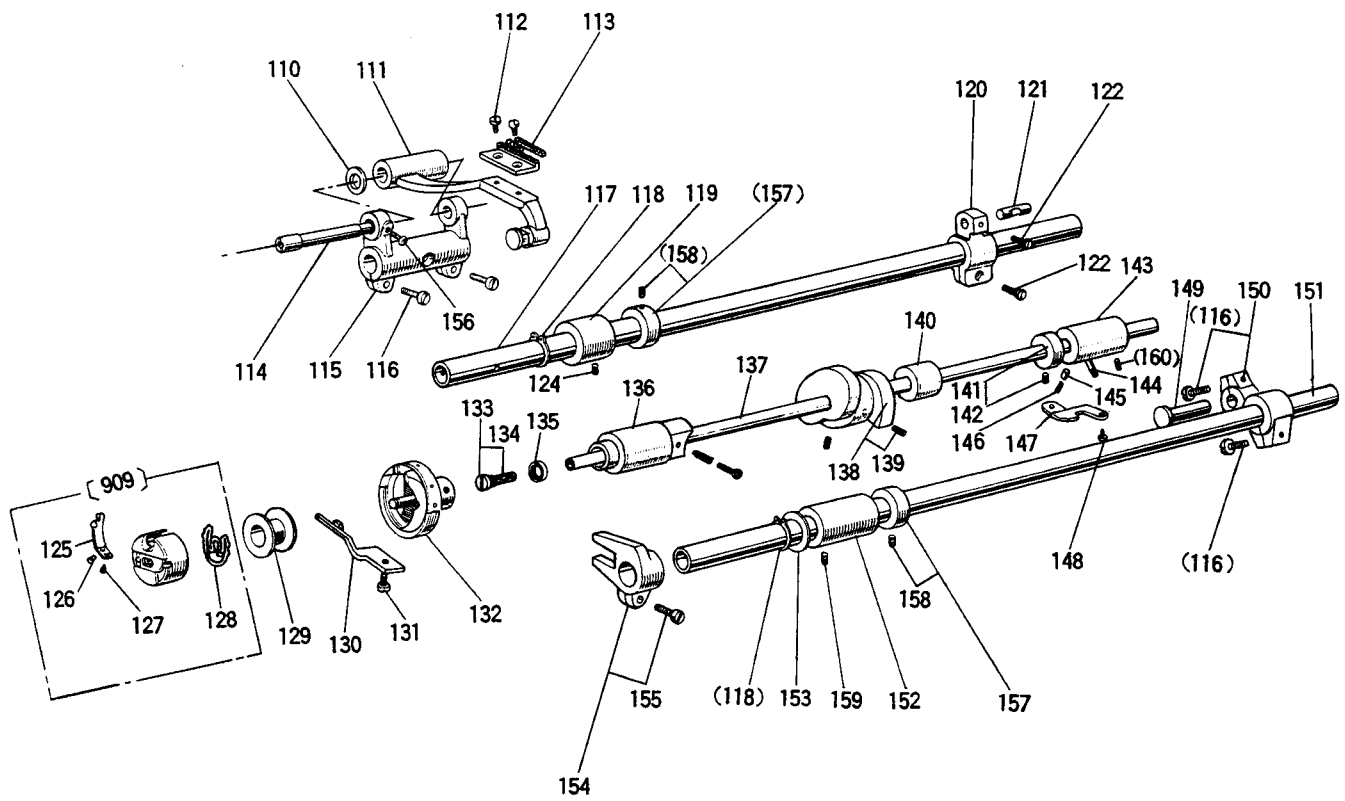


② 縫い機構 (I)

SEWING MECHANISM (I)

Fig. No.	部品コード Parts. No.	部品名	Description	使用個数 Amt. Reg.			
				LIT (M)	MIT (M)	HIT (M)	BIT
B60	M90883080	ゴム栓φ8.8	Rubber plug φ8.8	1	1	1	1
B61	MF70A0663	針棒メス上	Needle bar busing (upper)	1	1	1	1
B62	MF05A0660	針棒	Needle bar	-	1	-	-
B62	MF01A0660	針棒	Needle bar	1	-	-	-
B62	MF82A0660	針棒	Needle bar	-	-	1	-
B62	MF83A0660	針棒	Needle bar	-	-	-	1
B63	MF01A0664	針棒メス下	Needle bar busing (lower)	1	1	1	-
B63	MF03A0664	針棒メス下	Needle bar busing (lower)	-	-	-	1
B64	MF01A0181	糸案内(針棒メス下)	Thread guide	1	1	1	1
B65	MF05A0181	糸案内(針棒)	Thread guide	1	1	-	-
B65	MF80A1181	糸案内(針棒)	Thread guide	-	-	1	1
B66	M90815002	頭付止ネジ 1/8(44)×4.5	Slotted flat head set screw 1/8(44)×4.5	1	1	1	1
B67	MF21D0128	ミン針DA×1#11	Needle DA×1#11	1	-	-	-
B67	MF70A0128	ミン針DB×1-2#14	Needle DB×1-2#14	-	1	-	-
B67	MF83A0128	ミン針DB×1#22	Needle DB×1#22	-	-	1	1
B68	M91513001	止ネジ 15/64(28)×9.5	Set screw 15/64(28)×9.5	6	6	6	6
B69	MF01A0740	フェルト	Felt	1	1	1	1
B70	MF01A0417	油防キャップ	Oil shield cap	1	1	-	-
B70	MF03A0417	油防キャップ	Oil shield cap	-	-	1	1
B71	M91802006	棒先平ネジ 9/32(28)×14	Screw 9/32(28)×14	1	1	1	1
B72	M90700085	Oリング 1AP7	O-ring 1AP7	1	1	1	1
B73	M91801002	平ネジ 9/32(28)×13	Screw 9/32(28)×13	1	1	1	1
B74	MF01E0383	クランク付	Crank with screw	1	-	-	-
B74	MF01E1383	クランク付	Crank with screw	-	1	-	-
B74	MF03E0383	クランク付	Crank with screw	-	-	1	1
B75	M91606001	止ネジ 1/4(40)×6	Set screw 1/4(40)×6	10	10	10	10
B76	MF90E0662	針棒クランクガイド組	Needle bar connecting link guide assy.	1	1	1	1
B77	MF10A0325	角駒	Slide block	1	1	1	1
B78	M91106004	ブライネジ 11/64(40)×8	Cross recessed and slotted screw 11/64(40)×8	2	2	2	2
B79	MF01A0232	上軸メス左	Upper shaft bushing (left)	1	1	1	1
B80	MF05A0234	上軸メス中	Upper shaft bushing (middle)	1	1	1	1
B81	MF80A0352	カラー付	Thrust collar with screw	1	1	1	1
B82	M91602001	止ネジ 1/4(40)×4	Set screw 1/4(40)×4	2	2	2	2
B83	上軸ギヤ	Upper shaft gear	1	1	1	1
B84	縦軸ギヤ上	Vertical shaft gear (upper)	1	1	1	1
B85	M90320065	C型止輪軸用20	Retaining ring-C type 20	1	1	1	1
B86	MF00A1492	偏心輪	Feed drive eccentric cam	1	1	-	-
B86	MF02A1492	偏心輪	Feed drive eccentric cam	-	-	1	1
B87	MF00A1476	スラスト座金 φ36	Thrust collar φ36	1	1	1	1
B88	M90902011	丸皿ネジ 3/16(28)×13	Slotted counter sunk head screw 3/16(28)×13	3	3	3	3
B89	MF01A0233	上軸メス右	Upper shaft bushing (right)	1	1	1	1
B90	M91472086	オイルシール	Oil seal	1	1	1	1
B91	MF00A1386	水平送ロッド	Connecting rod for feed cam	1	1	1	1
B92	MF70A0384	上下送ロッド	Connecting rod for feed cam	1	1	1	1
B93	MF01E0230	上軸	Upper shaft	1	1	1	1
B94	ゴム栓	Rubber plug	1	1	1	1
B95	MF01A1740	フェルト	Felt	1	1	1	1
B96	M90402085	Oリング S4	O-ring S4	1	1	1	1
B97	ゴムブッシュ	Rubber bushing	1	1	1	1
B98	MF00A0521	縦軸メス上	Vertical shaft bushing (upper)	1	1	1	1
B99	MF10A0520	縦軸	Vertical shaft	1	1	1	1
B100	MF70A0522	縦軸メス下	Vertical shaft bushing (lower)	1	1	1	-
B100	MF74B0522	縦軸メス下	Vertical shaft bushing (lower)	-	-	-	1
B101	縦軸ギヤ下	Vertical shaft gear (lower)	1	1	1	1
B102	下軸ギヤ	Lower shaft gear	1	1	1	1
B904	MF01E0580	天秤針棒クランク組	Thread take-up lever assy.	1	-	-	-
B904	MF01E1580	天秤針棒クランク組	Thread take-up lever assy.	-	1	-	-
B904	MF01E2580	天秤針棒クランク組	Thread take-up lever assy.	-	-	1	-
B904	MF03E0580	天秤針棒クランク組	Thread take-up lever assy.	-	-	-	1
B905	MF01E0331	斜歯車上組	Bevel gear upper assy.	1	1	1	1
B906	MF01E1230	上軸組立	Upper shaft assy.	1	1	1	1
B907	M97006060	油量調節ピン組	Oil amount adjusting pin assy.	1	1	1	1
B908	MF01E0332	斜歯車下組	Bevel gear lower assy.	1	1	1	1

㊦ 縫い機構(Ⅱ)および水平送り軸, 上下送り軸機構
 SEWING MECHANISM (Ⅱ) FEED ROCK SHAFT, FEED LIFTING
 ROCK SHAFT MECHANISM

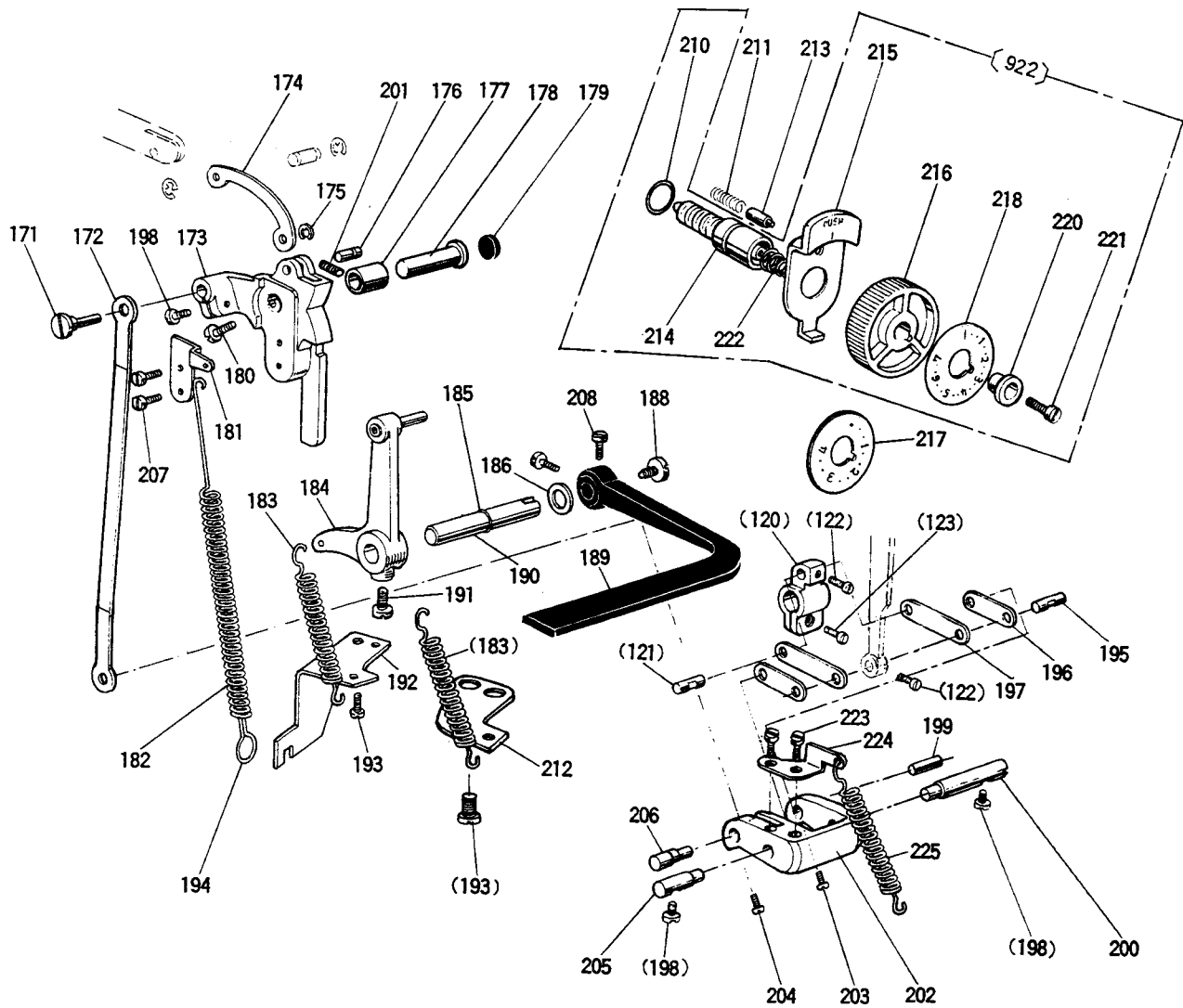


② 縫い機構(Ⅱ)および水平送り軸, 上下送り軸機構
 SEWING MECHANISM (Ⅱ) FEED ROCK SHAFT, FEED LIFTING
 ROCK SHAFT MECHANISM

Fig. No.	部品コード Parts. No.	部品名	Description	使用個数 Amt. Reg.			
				LIT (個)	MIT (個)	HT (個)	BT (個)
C110	M90619050	座金 φ10	Washer φ10	1	1	1	1
C111	MF00E0281	送り台組	Feed bar assy.	1	1	1	1
C112	M90806002	平ネジ 1/8(44)×6	Screw 1/8(44)×6	2	2	2	2
C113	MF00A3104	送り歯(4枚歯)	Feed dog A.115P	1	-	-	-
C113	MF10A0104	送り歯(3枚歯)	Feed dog B.P1.6	-	1	1	1
C114	MF90A0283	偏心軸	Shaft for feed bar (eccentric)	1	1	1	1
C115	MF90A0278	水平送り腕左ネジ付	Feed rock shaft crank (left)	1	1	1	1
C116	M91204002	丸平ネジ 3/16(28)×12	Screw 3/16(28)×12	4	4	4	4
C117	MF70A0491	水平送り軸	Feed rock shaft	1	1	1	1
C118	M90517065	C型止輪軸用15	Retaining ring-C type 15	2	2	2	2
C119	MF00A0286	水平送り軸用丸左	Bushing for feed rock shaft (left)	1	1	1	1
C120	MF00A0279	水平送り腕右	Feed rock shaft crank (right)	1	1	-	-
C120	MF02A0279	水平送り腕右	Feed rock shaft crank (right)	-	-	1	1
C121	MF00A0454	水平送り腕軸	Feed rock shaft crank pin	1	1	1	1
C122	M91521002	平ネジ 11/64(40)×7	Screw 11/64(40)×7	2	2	2	2
C124	M91506001	止ネジ 15/64(28)×6	Set screw 15/64(28)×6	1	1	1	1
C125	MF01A0557	糸調子バネ	Bobbin thread tension spring	1	1	1	-
C125	MF03A0557	糸調子バネ	Bobbin thread tension spring	-	-	-	1
C126	M97085030	糸調子ネジ 3/32(100)×1.6	Tension spring screw 3/32(100)×1.6	1	1	1	-
C126	M97086030	糸調子ネジ 3/32(100)×2.2	Tension spring screw 3/32(100)×2.2	-	-	-	1
C127	M97087030	糸調子バネ止ネジ 1/16(80)×1.2	Tension regulating screw 1/16(80)×1.2	1	1	1	-
C127	M97088030	糸調子バネ止ネジ 1/16(80)×1.5	Tension regulating screw 1/16(80)×1.5	-	-	-	1
C128	MF01A0245	空転防止バネ	Bobbin tension spring	1	1	-	-
C128	MF01A1245	空転防止バネ	Bobbin tension spring	-	-	1	-
C128	MF03A0245	空転防止バネ	Bobbin tension spring	-	-	-	1
C129	MF41D0123	ホビン	Bobbin	1	-	-	-
C129	MF00A0123	ホビン	Bobbin	-	1	1	-
C129	MF25B0123	ホビン	Bobbin	-	-	-	1
C130	MF10A0229	内蓋止め	Hook positioner	1	1	-	-
C130	MF17B0229	内蓋止め	Hook positioner	-	-	1	-
C130	MF20A0229	内蓋止め	Hook positioner	-	-	-	1
C131	M91118002	平ネジ 11/64(40)×10	Screw 11/64(40)×10	1	1	1	1
C132	MF01E0120	釜組	Rotary hook assy.	1	-	-	-
C132	MF00A0120	釜組	Rotary hook assy.	-	1	-	-
C132	MF42B0120	釜組	Rotary hook assy.	-	-	1	-
C132	MF45A0120	釜組	Rotary hook assy.	-	-	-	1
C133	M91259030	オイルキャップ組 3/16(32)×9	Oil cap screw assy. 3/16(32)×9	1	1	1	1
C134	MF05A0740	オイルフェルト	Oil felt for lower shaft	1	1	1	1
C135	M90800086	オイルシール	Oil seal	1	1	1	1
C136	MF00A0451	下軸用丸左	Lower shaft bushing (left)	1	1	1	1
C137	MF00A0450	下軸	Lower shaft	1	1	1	-
C137	MF02A0450	下軸	Lower shaft	-	-	-	1
C138	MF01E0350	糸切りカムネジ付	Thread trimmer cam with screw	1	1	1	1
C139	M91602020	穴付止ネジ 1/4(40)×10	Soket set screw 1/4(40)×10	2	2	2	2
C140	MF00A0453	下軸用丸中	Lower shaft bushing (middle)	1	1	1	1
C141	MF01E0352	カラーネジ付	Thrust collar with screw	1	1	1	1
C142	M91106001	止ネジ 11/64(40)×3.7	Set screw 11/64(40)×3.7	2	2	2	2
C143	MF00A0452	下軸用丸右	Lower shaft bushing (right)	1	1	1	1
C144	MF80A0688	パイプ	Oil pipe for lower shaft busing	1	1	1	1
C145	MF00A0753	プランジャー	Plunger	1	1	1	1
C146	MF00A0572	コイルバネ	Coil spring	1	1	1	1
C147	MF00A0154	案内板	Guide plate	1	-	-	-
C147	MF80A0154	案内板	Guide plate	-	-	1	-
C147	MF83A0154	案内板	Guide plate	-	-	-	1
C148	M91501003	平ネジ 15/64(28)×10	Screw 15/64(28)×10	1	1	1	1
C149	M90904060	かん付軸	Connecting rod stud	1	1	1	1
C150	MF00A0277	上下送り腕右ネジ付	Feed lifting rock shaft crank (right)	1	1	-	-
C150	MF80A0277	上下送り腕右ネジ付	Feed lifting rock shaft crank (right)	-	-	1	1
C151	MF70A0460	上下送り軸	Feed lifting rock shaft	1	1	1	1
C152	MF70A0286	上下送り軸用丸左	Bushing for feed lifting rock shaft (left)	1	1	1	1
C153	M91502050	スラスト座金 φ20.5	Thrust washer φ20.5	1	1	1	1
C154	MF01E0276	上下送り二又ネジ付	Feed lifting rock shaft fork	1	1	1	1
C155	M91112002	平ネジ 11/64(40)×12	Screw 11/64(40)×12	1	1	1	1
C156	M91106004	ブラマネジ 11/64(40)×8	Cross recessed and slotted screw 11/64(40)×8	1	1	1	1
C157	MF80A0352	カラーネジ付	Thrust collar with screw	2	2	2	2
C158	M91602001	止ネジ 1/4(40)×4	Set screw 1/4(40)×4	4	4	4	4
C159	M91513001	止ネジ 15/64(28)×9.5	Set screw 15/64(28)×9.5	1	1	1	1
C160	M91502001	止ネジ 15/64(28)×3.5	Set screw 15/64(28)×3.5	1	1	1	1
C909	MF40E0125	ホビンケース組	Bobbin case assy.	1	1	-	-
C909	MF95E0125	ホビンケース組	Bobbin case assy.	-	-	1	-
C909	MG44E0125	ホビンケース組	Bobbin case assy.	-	-	-	1

㊦ 送り調節機構

STITCH LENGTH REGULATOR MECHANISM

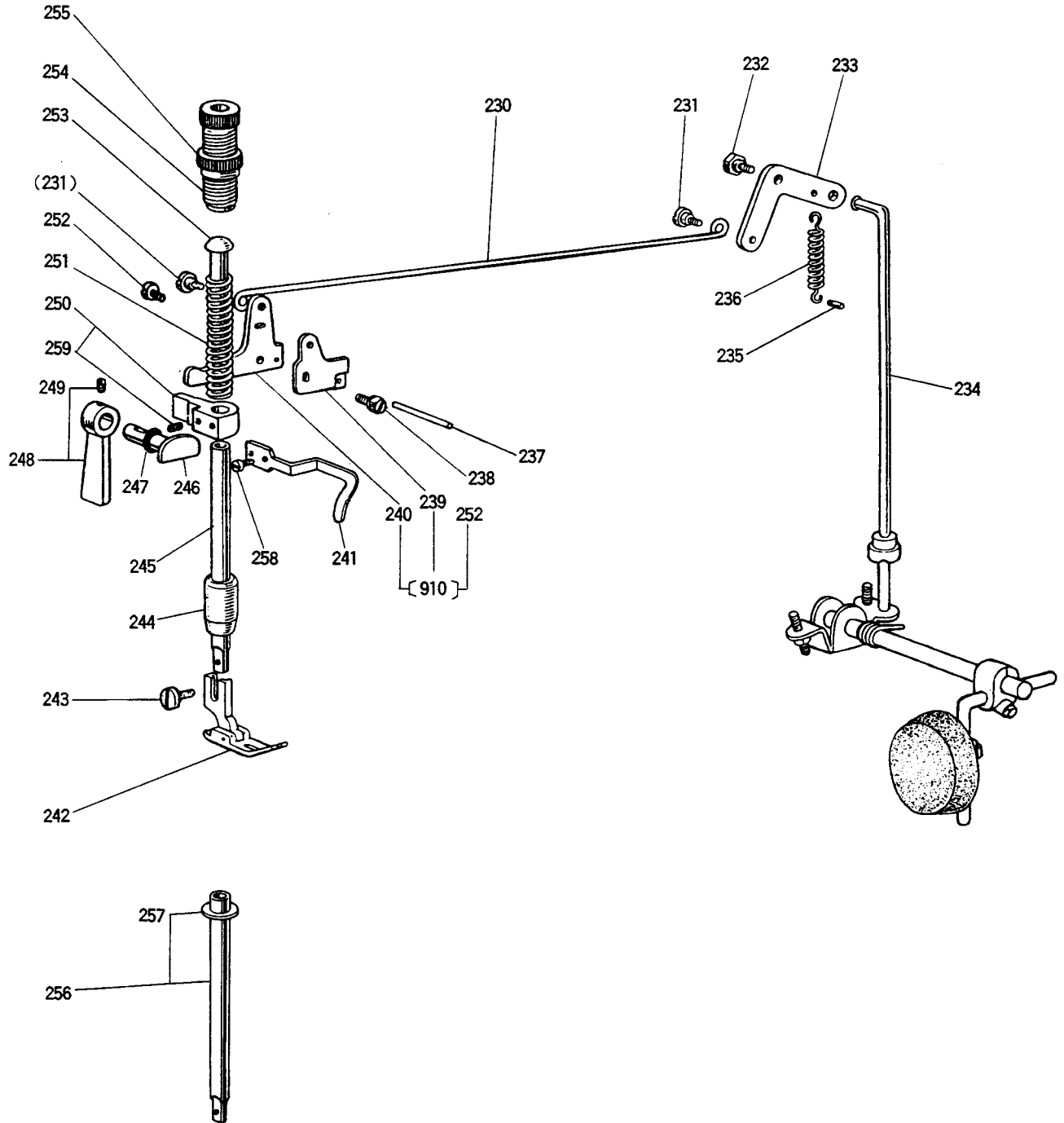


□ 送り調節機構

STITCH LENGTH REGULATOR MECHANISM

Fig. No.	部品コード Parts. No.	部品名	Description	使用個数 Amt. Reg.			
				LIT (P)	MAT (P)	HIT (P)	BIT
D171	MF00A0530	段付軸	Connecting rod stud	1	1	1	1
D172	MF00A6910	返し送りロッド	Feed rock regulator connecting rod	1	1	1	1
D173	MF00A1152	送り調節皿	Feed regulator	1	1	-	-
D173	MF02A1152	送り調節皿	Feed regulator	-	-	1	1
D174	MF00A7910	リンク	Link	1	1	1	1
D175	M90504065	E型止輪4	Retaining ring-E type 4	1	1	1	1
D176	M90519060	軸	Link stud	1	1	1	1
D177	MF70A0750	ブッシュ	Bushing for feed regulator	1	1	1	1
D178	M90904063	ツバ付軸	Connecting rod stud	1	1	1	1
D179	M92004080	ゴム栓φ20	Rubber plug φ20	1	1	1	1
D180	M91516002	平ネジ 15/64 (28) × 8.5	Screw 15/64 (28) × 8.5	1	1	1	1
D181	MF00A2708	掛け金	Spring retainer	-	-	1	1
D182	MF40A6572	コイルバネ	Coil spring	-	-	1	1
D183	MF00A5572	コイルバネ	Coil spring	1	1	1	1
D184	MF00E1635	返し縫腕組	Reverse sewing crank assy.	1	1	1	1
D185	M90600085	Oリング 1AP6	O-ring 1AP6	1	1	1	1
D186	M95003053	皿バネ	Spring washer	1	1	1	1
D188	M91207003	丸平ネジ 3/16 (28) × 6.5	Screw 3/16 (28) × 6.5	1	1	1	1
D189	MF01A0632	返し縫レバー	Feed reversing lever	1	1	1	1
D190	MF00A0633	返し縫レバー軸	Feed reversing lever shaft	1	1	1	1
D191	M91501007	棒先丸平ネジ 15/64 (28) × 14.5	Screw 15/64 (28) × 14.5	1	1	1	1
D192	MF00A1708	掛け金	Spring holder	-	-	1	1
D193	M91505002	平ネジ 15/64 (28) × 13.5	Screw 15/64 (28) × 13.5	1	1	1	1
D194	MN15A0708	掛け金	Spring holder	-	-	1	1
D195	MF00A1454	軸	Link stud	1	1	1	1
D196	MF00A2910	リンク	Link	2	2	2	2
D197	MF00A3910	リンク	Link	2	2	-	-
D197	MF02A0910	リンク	Link	-	-	2	2
D198	M91112002	平ネジ 11/64 (40) × 12	Screw 11/64 (40) × 12	3	3	3	3
D199	MF00A2454	軸	Link stud	1	1	1	1
D200	MN35A2530	段付軸	Feed regulator shaft	1	1	1	1
D201	M91513001	止ネジ 15/64 (28) × 9.5	Set screw 15/64 (28) × 9.5	1	1	1	1
D202	MF00A0289	送り調節腕	Stitch length adjusting crank	1	1	1	1
D203	M90905002	平ネジ 9/64 (40) × 8.5	Screw 9/64 (40) × 8.5	1	1	1	1
D204	M90903002	平ネジ 9/64 (40) × 6.5	Screw 9/64 (40) × 6.5	1	1	1	1
D205	MN35A3530	段付軸	Feed regulator shaft	1	1	1	1
D206	MF00A3530	段付軸	Link stud	1	1	1	1
D207	M91106004	ブラマイン 11/64 (40) × 8	Cross recessed and slotted screw 11/64 (40) × 8	-	-	2	2
D208	M91501003	平ネジ 15/64 (28) × 10	Screw 15/64 (28) × 10	2	2	2	2
D210	M91000085	Oリング P10A	O-ring P10A	1	1	1	1
D211	MF05A0572	コイルバネ	Coil spring	1	1	1	1
D212	MF00A3708	掛け金	Spring holder	1	1	-	-
D213	MF00A0852	位置決めピン	Stopper pin	1	1	1	1
D214	MF85A0640	送り調節ネジ	Screw bar	1	1	1	1
D215	MF00A0950	レバー	Stopper pin releasing lever	1	1	1	1
D216	MF01A0631	ダイヤル	Dial	1	1	1	1
D217	MF01A0841	メトリ板	Stitch length indicating plate	1	1	-	-
D218	MF03A0841	メトリ板	Stitch length indicating plate	-	-	1	1
D220	MF00A0257	押し金	Bushing	1	1	1	1
D221	M91215002	平ネジ 3/16 (28) × 12	Screw 3/16 (28) × 12	1	1	1	1
D222	MF02A0245	円盤バネ	Coil spring	1	1	1	1
D223	M90921002	平ネジ 9/64 (40) × 8	Screw 9/64 (40) × 8	2	2	-	-
D224	MF00A4708	掛け金	Spring holder	1	1	-	-
D225	MF00A6572	コイルバネ	Coil spring	1	1	-	-
D922	MF01E0640	送り調節ネジ組	Screw bar assy.	1	1	-	-
D922	MF03E0640	送り調節ネジ組	Screw bar assy.	-	-	1	1

E 押え機構
PRESSER FOOT MECHANISM

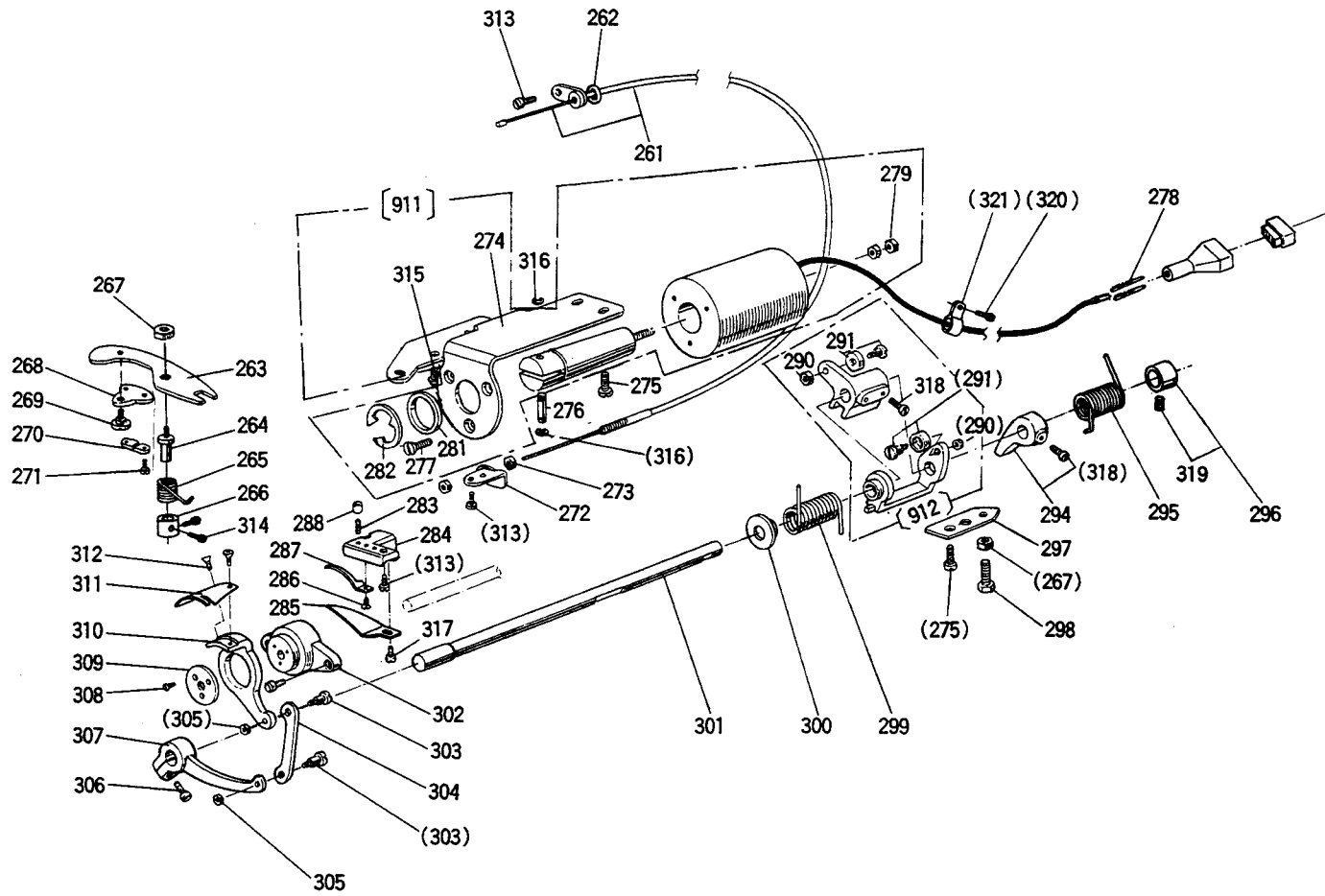


□ 押え機構

PRESSER FOOT MECHANISM

Fig. No.	部品コード Parts. No.	部品名	Description	使用個数 Amt. Reg.			
				LIT (個)	MIT (個)	HIT (個)	BIT
E230	MF70A0738	引棒	Knee lifter rod	1	1	1	1
E231	M91219015	段付平ネジ 3/16(28)×3.5	Stud screw 3/16(28)×3.5	2	2	2	2
E232	M91503031	段付ネジ 15/64(28)×6.5	Stud bolt 15/64(28)×6.5	1	1	1	1
E233	MF70A1950	押え上げレバー-右	Knee lifter lever (right)	1	1	1	1
E234	MF70A0511	操作棒	Knee lifter connecting rod	1	1	1	1
E235		バネフック	Spring hook	1	1	1	1
E236	MF70A0572	ツルマバネ	Spring for knee lifter lever	1	1	1	1
E237	M90423060	糸繰りピン	Thread releasing pin	1	1	1	1
E238	M91504031	段付ネジ 15/64(28)×7	Stud bolt 15/64(28)×7	1	1	1	1
E239		糸繰りカム	Tension releasing cam	1	1	1	1
E240		押え上げレバー-左	Knee lifter lever (left)	1	1	1	1
E241	MF01A0216	糸案内	Thread guide	1	1	1	1
E242	MF10A0105	押え組	Presser foot assy.	1	1	-	-
E242	MF12B0105	押え組	Presser foot assy.	-	-	1	-
E242	MF68B0105	押え組	Presser foot assy.	-	-	1	-
E243	M90939002	平ネジ 9/64(40)×11	Screw 9/64(40)×11	1	1	1	1
E244	MF00A0267	押え棒メス	Bushing for presser bar	1	1	1	1
E245	MF11D0262	押え棒	Presser bar	-	1	1	1
E246	MF01E0253	押え上げカムリング付	Presser bar lifting cam with O-ring	1	1	1	1
E247	M90401085	Oリング 1AP4	O-ring 1AP4	1	1	1	1
E248	MF01E0252	押え上げネジ付	Presser bar lifter with screw	1	1	1	1
E249	M91108001	止メネジ 11/64(40)×5.5	Set screw 11/64(40)×5.5	1	1	1	1
E250	MF01A0265	押え棒ガイドネジ付	Presser bar guide bracket	1	1	1	1
E251	MF10A0259	押えバネ	Presser spring	1	-	-	-
E251	MF12B0259	押えバネ	Presser spring	-	1	1	1
E252	M91131002	平ネジ 11/64(40)×6.5	Screw 11/64(40)×6.5	1	1	1	1
E253	MF20A0703	案内棒	Presser spring guide	1	1	1	1
E254	M93220035	ツマミネジ 1/2(28)×49	Thumb screw 1/2(28)×49	1	1	1	1
E255	M93202047	ツマミナット 1/2(28)×8	Thumb nut 1/2(28)×8	1	1	1	1
E256	MF01E0262	押え棒組	Presser bar assy.	1	-	-	-
E257	M90702065	CE型止メ輪 φ11.12	Retaining ring-CE type φ11.12	1	-	-	-
E258	M91106004	ブラマイネジ 11/64(40)×8	Cross recessed and slotted screw 11/64(40)×8	1	1	1	1
E259	M91506001	止メネジ 11/64(40)×6	Set screw 11/64(40)×6	1	1	1	1
E910	MF00E0252	押え上げレバー-左組	Knee lifter lever (left) assy.	1	1	1	1

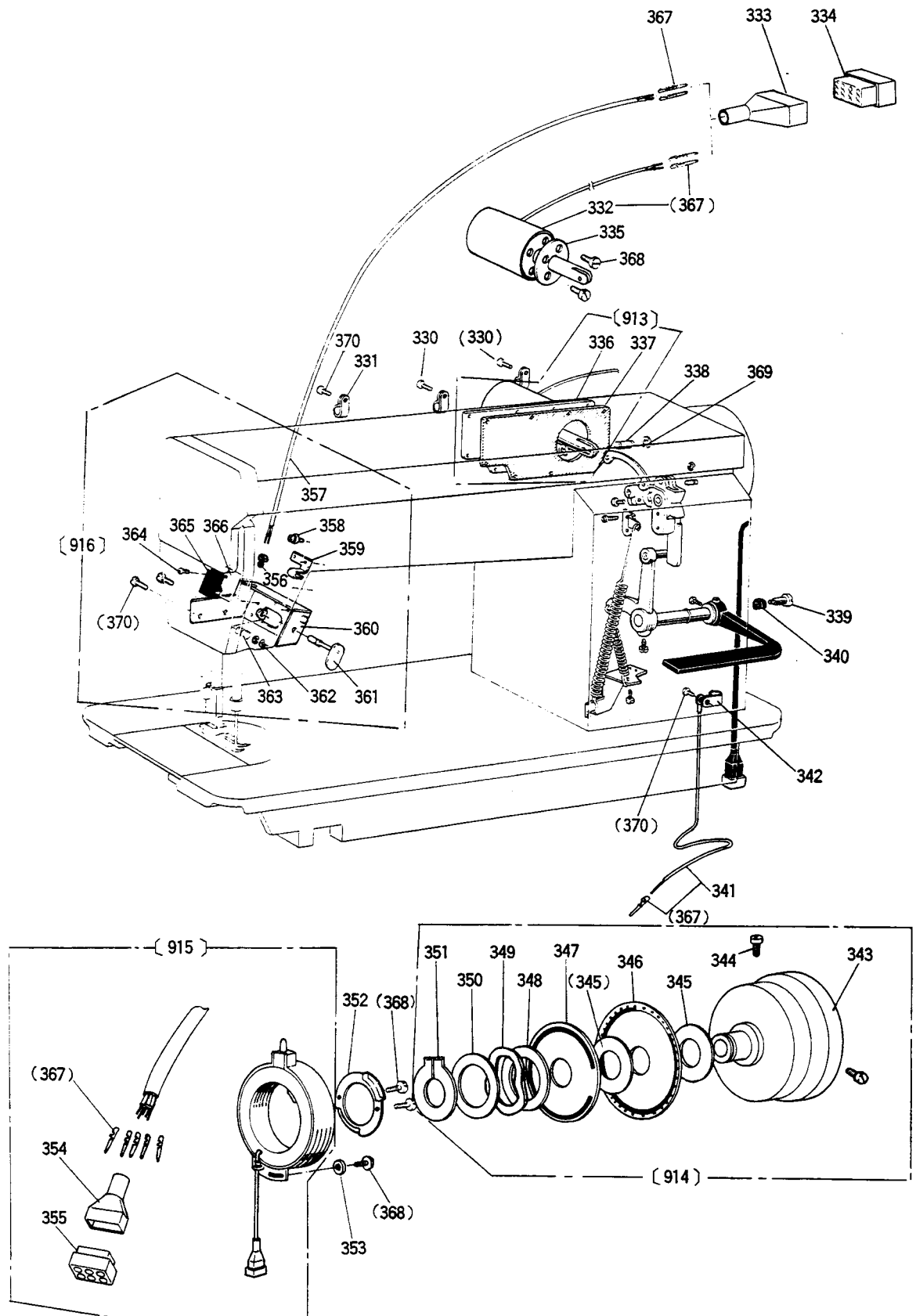
F 糸切り機構
KNIFE ACTUATING MECHANISM



F 糸切り機構 KNIFE ACTUATING MECHANISM

Fig. No.	部品コード Parts. No.	部品名	Description	使用個数 Amt. Reg.			
				LIT (個)	MIT (個)	HIT (個)	BIT
F261	MF01E0746	フレキシブルワイヤ組	Flexible wire assy.	1	1	1	1
F262	M90401085	Oリング 1AP4	O-ring 1AP4	1	1	1	1
F263	MF00A1391	駆動板	Thread trimmer driving lever	1	1	1	1
F264	M97082030	段付ネジ 15/64(28)×7.5	Stud screw 15/64(28)×7.5	1	1	1	1
F265	MF00A1729	ヒネリバネ	Trimming lever spring	1	1	1	1
F266	MF00A1352	カラー	Spring support collar	1	1	1	1
F267	M91502045	ナット 15/64(28)	Nut 15/64(28)	2	2	2	2
F268	MF90A0361	フレキシブルワイヤホルダ	Flexible wire holder	1	1	1	1
F269	M91127015	段付平ネジ 11/64(40)×5	Stud screw 11/64(40)×5	1	1	1	1
F270	MF36A0750	フレキシブルワイヤ押エ	Flexible wire presser	1	1	1	1
F271	M90802002	平ネジ 1/8(44)×7	Screw 1/8(44)×7	2	2	2	2
F272	MF00A0780	ホルダ	Holder	1	1	1	1
F273	M91373045	ナット M5×4T	Nut M5×4T	2	2	2	2
F274	MF00A1509	糸切りソレノイド台	Solenoid bracket	1	1	1	1
F275	M91510002	平ネジ 15/64(28)×12	Screw 15/64(28)×12	4	4	4	4
F276	M90516063	軸	Link stud	1	1	1	1
F277	M94008037	P皿ネジ M4×6	Cross recessed counter sunk flat head screw M4×6	3	3	3	3
F278	M93003099	ピンターミナル(オス)	Terminal pin (Male)	2	2	2	2
F279	M92074075	止メナット M5×3.2T	Nut M5×3.2T	2	2	2	2
F281	MF01A0397	クッション	Thread trimmer driving lever cushion	1	1	1	1
F282	M90703065	E型止メ輪 12	Retaining ring-E type 12	1	1	1	1
F283	M90913001	止メネジ 9/64(40)×8.5	Set screw 9/64(40)×8.5	1	1	1	1
F284	MF00A1603	固定刃取付台	Bracket for fixed blade	1	1	1	1
F285	MF00A0180	糸案内	Thread finger	1	1	1	—
F285	MF02A0180	糸案内	Thread finger	—	—	—	1
F286	M91102010	皿ネジ 9/64(40)×4.1	Slotted counter sunk head screw 9/64(40)×4.1	1	1	1	1
F287	MF00A0838	固定刃	Fixed blade	1	1	1	—
F287	MF02A0838	固定刃	Fixed blade	—	—	—	1
F288	M91110045	ナット 9/64(40)	Nut 9/64(40)	1	1	1	1
F290	M91201045	ナット 3/16(28)	Nut 3/16(28)	2	2	2	2
F291	MF01E0411	カム、カムシフト	Cam follower, Shoulder screw assy.	2	2	2	2
F294	MF01E0477	ストップレバー組	Stopper lever assy.	1	1	1	1
F295	MF00A0729	ヒネリバネ	Coil spring	1	1	1	1
F296	MF01E1352	カラーネジ付	Collar with screw	1	1	1	1
F297	MF00A1477	ストップレバー板	Lever stopper plate	1	1	1	1
F298	M91503022	ボルト 15/64(28)×20	Bolt 15/64(28)×20	1	1	1	1
F299	MF00A9572	コイルバネ	Coil spring	1	1	1	1
F300	MF00A0750	ブッシュ	Bushing	1	1	1	1
F301	MF00A5454	刃駆動軸	Knife driving shaft	1	1	1	—
F301	MF02A1454	刃駆動軸	Knife driving shaft	—	—	—	1
F302	MF00A2527	台座	Knife holding bracket saddle	1	—	—	—
F302	MF00A1527	台座	Knife holding bracket saddle	—	1	1	1
F303	M91111015	段付平ネジ 11/64(40)×6.2	Stud screw 11/64(40)×6.2	2	2	2	2
F304	MF00A8910	リンク	Link	1	1	1	1
F305	M91107045	ナット 11/64(40)	Nut 11/64(40)	2	2	2	2
F306	M91117002	丸平ネジ 11/64(40)×13	Screw 11/64(40)×13	1	1	1	1
F307	MF00A1392	駆動腕	Knife driving crank	1	1	1	1
F308	M90803010	皿ネジ 1/8(44)×6	Slotted counter sunk head screw 1/8(44)×6	3	3	3	3
F309	M94006052	スラスト座金 φ28	Thrust collar φ28	1	1	1	1
F310	MF00A0836	刃台左	Knife base (left)	1	1	1	—
F310	MF02A0836	刃台左	Knife base (left)	—	—	—	1
F311	MF00A0834	刃左	Movable knife (left)	1	1	1	—
F311	MF02A0834	刃左	Movable knife (left)	—	—	—	1
F312	M91151010	六角穴付皿ネジ 11/64(40)×7	Hexagon socket counter sunk screw 11/64(40)×7	2	2	2	2
F313	M91106004	ブッシュネジ 11/64(40)×8	Cross recessed and slotted screw 11/64(40)×8	6	6	6	6
F314	M90903002	平ネジ 9/64(40)×6.5	Screw 9/64(40)×6.5	2	2	2	2
F315	M91118002	平ネジ 11/64(40)×10	Screw 11/64(40)×10	1	1	1	1
F316	M90519065	E型止メ輪 4	Retaining ring-E type 4	2	2	2	2
F317	M90921002	平ネジ 9/64(40)×8	Screw 9/64(40)×8	1	1	1	1
F318	M91516002	頭付止メネジ 15/64(28)×8.5	Slotted flat head set screw 15/64(28)×8.5	1	1	1	1
F319	M91602001	止メネジ 1/4(40)×4	Set screw 1/4(40)×4	1	1	1	1
F320	M91109004	PW付ブッシュネジ 11/64(40)×8	Cross recessed slotted screw-PW 11/64(40)×8	1	1	1	1
F321	M94003099	コード押エ	Cord holder	1	1	1	1
F911	MF00E3519	糸切りソレノイド組	Thread trimming solenoid	1	1	1	1
F912	MF01E0351	カム追従腕組	Cam follower crank assy.	1	1	1	1

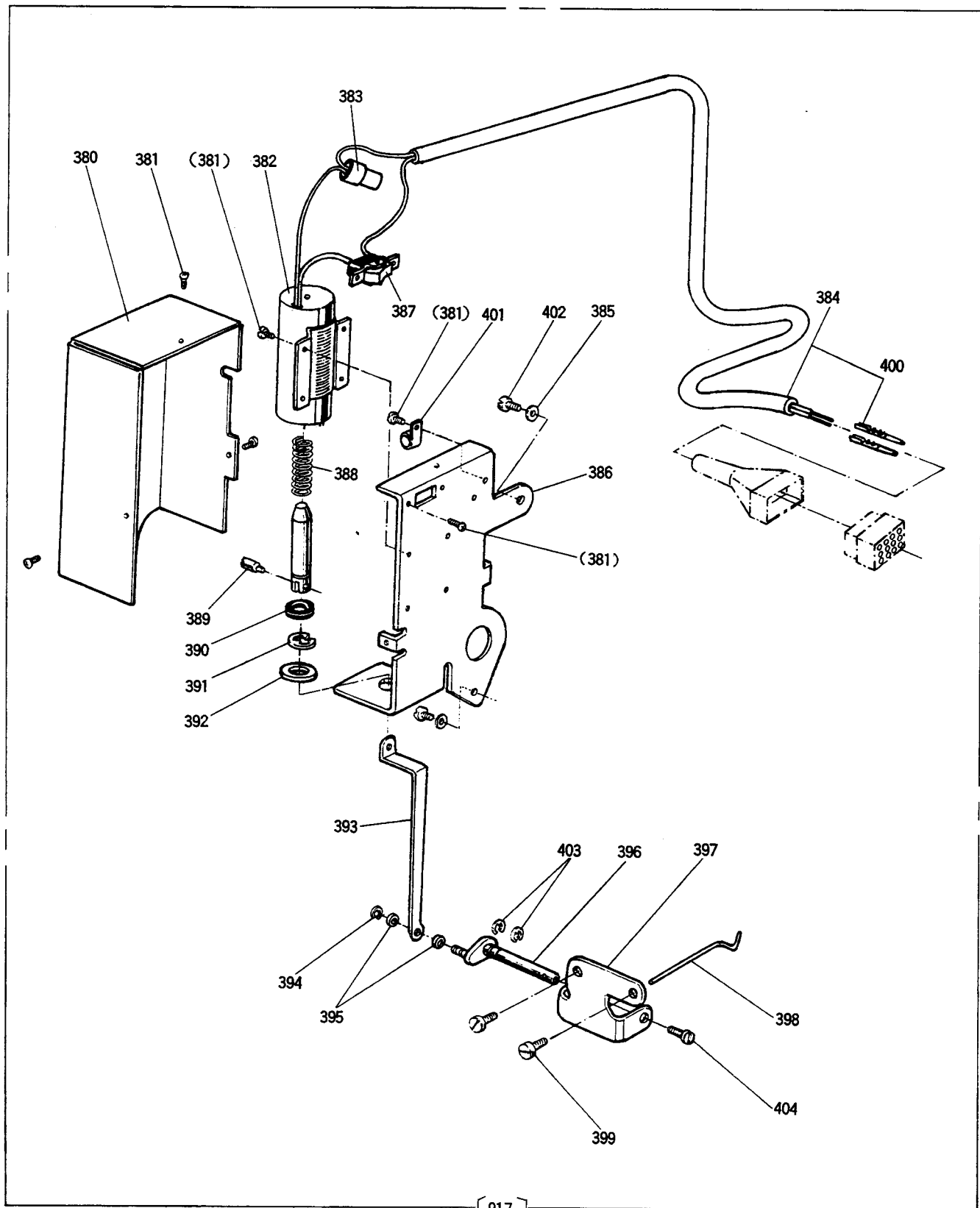
㊦ タッチバック機構および検出器機構
 TOUCH BACK MECHANISM & DETECTOR MECHANISM



G タッチバック機構および検出器機構
 TOUCH BACK MECHANISM & DETECTOR MECHANISM

Fig. No.	部品コード Parts. No.	部品名	Description	使用個数 Amt. Reg.			
				LIT (M)	MIT (M)	HIT (M)	BIT
G330	M91111004	ブライネジ 11/64(40)×10	Cross recessed and slotted screw 11/64(40)×10	2	2	2	2
G331	M94003099	コード押エ	Cord holder	3	3	3	3
G331	MN60A0620	コード押エ	Cord holder	3	3	3	3
G332	M91018098	ソレノイド組	Solenoid assy. for touch back	1	1	1	1
G333	MF01A0366	コネクタキャップ	Connector cap	1	1	1	1
G334	M91018099	コネクタ-12P	Nylon connector 12-pole	1	1	1	1
G335	MF01A0691	ガスケット	Gascket for solenoid oil seal	1	1	1	1
G336	MF01A0880	横蓋	Arm side cover	1	1	1	1
G337	MF00A1691	ガスケット	Gascket for arm side cover	1	1	1	1
G338	M90516063	ピン	Link stud	1	1	1	1
G339	M91515015	段付平ネジ 15/64(28)×7	Stud screw 15/64(28)×7	1	1	1	1
G340	MN36A0417	ゴムクッション	Rubber cushion	1	1	1	1
G341	M97003095	アースコード組	Ground wire assy.	1	1	1	1
G342	M94008099	コード押エ	Cord holder	1	1	1	1
G343	MF01A0682	プーリ	Pulley	1	1	1	1
G344	M91502002	ピラネジ 15/64(28)×12	Screw 15/64(28)×12	2	2	2	2
G345	MF01A0476	スペーサA	Spacer A	2	2	2	2
G346	MF01A2694	反射板B12(下)	Speed command disc B12 (down)	1	1	1	1
G347	MF01A1694	反射板B21(上)	Speed command disc B21 (up)	1	1	1	1
G348	MF01A1476	スペーサB	Spacer B	1	1	1	1
G349	MF01A0259	反射板押エスプリング	Supporter spring	1	1	1	1
G350	M93001050	座金30	Washer 30	1	1	1	1
G351	M90330065	C型止メ輪30	Retaining ring-C type 30	1	1	1	1
G352	MF01A0257	検出器押エ	Detector bracket supporter	1	1	1	1
G353	M93002050	座金 φ12	Washer φ12	1	1	1	1
G354	MF01A0366	コネクタキャップ	Connector cap	1	1	1	1
G355	M91020099	コネクタ-6P	Nylon connector 6-pole	1	1	1	1
G356	M91004080	ゴム栓 φ10	Rubber plug φ10	1	1	1	1
G357	M97118099	コード組	Vinyl cap-tire4 cable for touch switch	1	1	1	1
G358	M90250037	SW-PW付Pナネジ M2×3	Cross recessed head screw-SW-PW M2×3	2	2	2	2
G359	MF00A0192	板バネ	Spring plate	1	1	1	1
G360	MF01A1601	スイッチ取付板	Bracket for touch switch	1	1	1	1
G361	MF00A0270	押しボタン	Push button	1	1	1	1
G362	M90512065	E型止メ輪3	Retaining ring-E type 3	2	2	2	2
G363	MF00A7572	コイルバネ	Coil spring	1	1	1	1
G364	M90251037	パイントネジ M2×8	Bind head screw-cross M2×8	1	1	1	1
G365	M90208099	マイクロスイッチ	Micro switch	1	1	1	1
G366	MF01A0502	絶縁板	Insulator seat	1	1	1	1
G367	M93003099	ピンターミナル(オス)	Terminal pin (Male)	10	10	10	10
G368	M91106004	ブライネジ 11/64(40)×8	Cross recessed and slotted screw 11/64(40)×8	7	7	7	7
G369	M90519065	E型止メ輪4	Retaining ring-E type 4	2	2	2	2
G370	M91109004	PW付ブライネジ 11/64(40)×8	Cross recessed and slotted screw-PW 11/64(40)×8	4	4	4	4
G913	MF01E0519	横蓋ソレノイド組	Arm side cover solenoid assy.	1	1	1	1
G914	MF01E0682	プーリ組	Pulley assy.	1	1	1	1
G915	MF01E0406	検出器組	Detector bracket assy.	1	1	1	1
G916	MF01E0534	タッチスイッチ組	Touch switch assy.	1	1	1	1

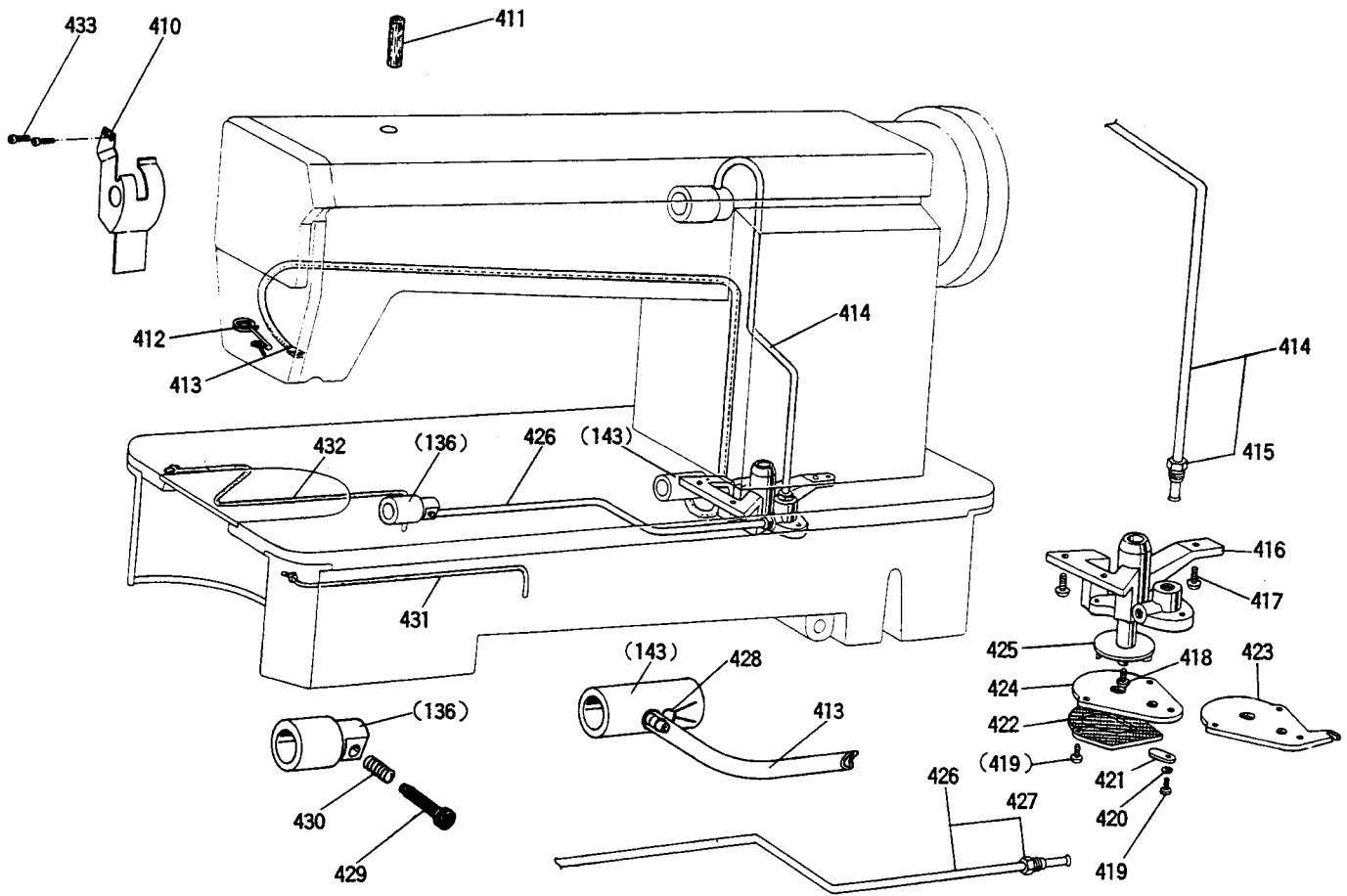
H ワイパー機構
WIPER MECHANISM



H ワイパー機構 WIPER MECHANISM

Fig. No.	部品コード Parts. No.	部品名	Description	使用個数 Amt. Reg.			
				LITW	MFTW	HFTW	BTT
H380	MF01A0339	ソレノイドカバー	Solenoid cover for wiper mech.	1	1	1	-
H381	M90308037	SW-PW付平ネジ M3×6	Cross recessed head screw-SW-PW M3×6	10	10	10	-
H382	M91017098	ワイパーソレノイド	Thread wiper solenoid assy.	1	1	1	-
H383	M91019099	ヘッド接続子1-SD	Connecting 1-SD	1	1	1	-
H384	M97061095	コード組	Vinyl cap-tire cable assy. for thread wiper switch	1	1	1	-
H385	M90604050	座金6	Washer 6	2	2	2	-
H386	MF01A2601	ソレノイド取付板	Solenoid bracket	1	1	1	-
H387	MF40E2484	ワイパースイッチ	Thread wiper switch	1	1	1	-
H388	MF00A4572	コイルバネ	Coil spring	1	1	1	-
H389	M90910033	プランジャーピン 9/64(40)×4	Plunger pin 9/64(40)×4	1	1	1	-
H390	M91504050	座金 φ20	Washer φ20	1	1	1	-
H391	M90510065	E型止輪10	Retaining ring-E type 10	1	1	1	-
H392	MF00A1417	ゴムクッション	Rubber cushion	1	1	1	-
H393	MF00A5910	リンク	Thread wiper connecting rod	1	1	1	-
H394	M90513065	E型止輪2.5	Retaining ring-E type 2.5	1	1	1	-
H395	M90454050	座金4	Washer 4	2	2	2	-
H396	MF01A0454	ワイパー軸	Wiper shaft	1	1	1	-
H397	MF00A0982	ワイパー軸台	Thread wiper bracket	1	1	1	-
H398	MF00A0980	ワイパー	Thread wiper	1	1	1	-
H399	M91106003	丸平ネジ 11/64(40)×20	Screw 11/64(40)×20	2	2	2	-
H400	M93003099	ピンターミナル(オス)	Terminal pin (Male)	2	2	2	-
H401	M94002099	コード押エ	Cord holder	1	1	1	-
H402	M91515002	平ネジ 15/64(28)×10	Screw 15/64(28)×10	2	2	2	-
H403	M90519065	E型止輪4	Retaining ring-E type 4	2	2	2	-
H404	M90806002	平ネジ 1/8(44)×6	Screw 1/8(44)×6	1	1	1	-
H917	MF01E0984	ワイパーソウチカミチ	Wiper device assy.	1	1	1	-

J 給油機構
OIL LUBRICATION MECHANISM

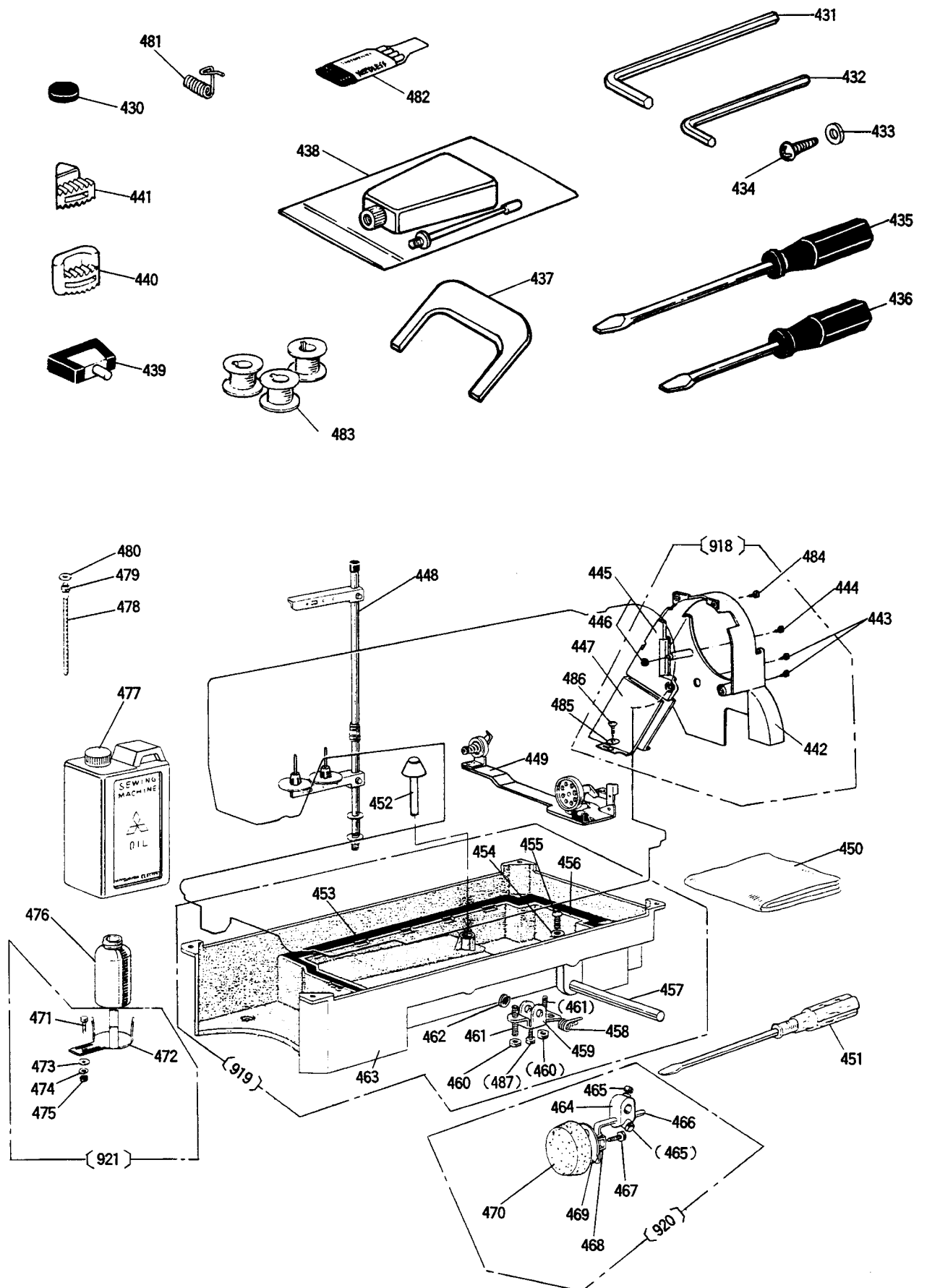


J 給油機構

OIL LUBRICATION MECHANISM

Fig. No.	部品コード Parts No.	部品名	Description	使用個数 Amt. Reg.		
				LIT (個)	MIT (個)	BIT (個)
J410	MF01A0873	油防板組	Arm oil shield assy.	1	1	1
J411	MF01A2740	給油フェルトφ8×30	Oil felt φ8×30	1	1	1
J412	MF00A2780	濾材	Oil filter holder	1	1	1
J413	MF01E0731	還油パイプ組	Oil return tube assy.	1	1	1
J414	MF80A1688	給油パイプ組 (上)	Upper shaft oil tube assy.	1	1	1
J415	MF40A1750	パイプ接続ワッシャー 1/2(28)	Oil tube lock bushing 1/2(28)	1	1	1
J416	MF80A0783	ポンプケース	Oil pump	1	1	1
J417	M91103004	フラマネジ 11/64(40)×13	Cross recessed and slotted screw 11/64(40)×13	3	3	3
J418	M90810002	平ネジ 1/8(44)×8	Screw 1/8(44)×8	1	1	1
J419	M90801004	フラマネジ 1/8(44)×13	Cross recessed and slotted screw 1/8(44)×13	3	3	3
J420	M90304053	バネ座金3.5	Spring washer 3.5	1	1	1
J421	MF10A1742	油量調節弁	Oil adjusting plate	1	1	1
J422	MF10E0337	ポンプフィルター	Oil pump filter	1	1	1
J423	MF00A2601	羽車カバー	Oil pump impeller cover	1	1	—
J424	MF10A0601	羽車カバー	Oil pump impeller cover	—	—	1
J425	MF10A0685	羽車	Oil pump impeller	1	1	1
J426	MF00E0142	給油パイプ組 (下)	Lower shaft oil tube assy.	1	1	1
J427	M92201047	パイプ接続ワッシャー 11/32(28)	Oil tube lock bushing 11/32(28)	1	1	1
J428	MF01A0378	還油パイプクリップ	Oil return tube clip	1	1	1
J429	M97084030	油量調節ネジ 15/64(28)	Oil adjusting screw 15/64(28)	1	1	1
J430	MF80A1572	コイルバネ	Coil spring	1	1	1
J431	MF00A0148	給油紐	Oil wick	1	1	1
J432	MF95A0148	給油紐	Oil wick	1	1	1
J433	M91106004	フラマネジ 11/64(40)×8	Cross recessed and slotted screw 11/64(40)×8	2	2	2

付属品
ACCESSORIES



付属品
ACCESSORIES

Fig. No.	部品コード Parts. No.	部品名	Description	使用個数 Amt. Reg.		
				LIT	MIT	BIT
K430	M90701099	集塵マグネット	Magnet block	1	1	1
K431	MS02A2976	六角棒スワッチ3	Hexagon socket screw key 3	1	1	1
K432	MF90A2976	六角棒スワッチ2	Hexagon socket screw key 2	1	1	1
K433	M90550050	座金5	Washer for bobbin winder 5	2	2	2
K434	M90401041	丸木ネジ 4.5×20	Wood screw for bobbin winder 4.5×20	2	2	2
K435	MB02A0608	ネジ 回シ(中)	Screw driver (Size M)	1	1	1
K436	MB02A1608	ネジ 回シ(小)	Screw driver (Size S)	1	1	1
K437	MF01A0565	反射板調整具	Speed command disc adjusting plate	1	1	1
K438	MF60A0137	油差シ	Oil with oiler	1	1	1
K439	MF01E0418	頭部ピンチ組	Hinge with rubber cushion	2	2	2
K440	MF01A0419	防振ゴム(大)	Head cushion (large)	2	2	2
K441	MF01A1419	防振ゴム(小)	Head cushion (small)	2	2	2
K442	MF01A0776	ベルトカバー-1	Belt cover 1	1	1	1
K443	M91506004	ブライネジ 15/64(28)×8	Cross recessed and slotted screw 15/64(28)×8	2	2	2
K444	M91075004	SW-PW付平ネジ M4×14	Cross recessed head screw-SW-PW M4×14	1	1	1
K445	MF01E1776	ベルトカバー-2組	Belt cover assy. 2	1	1	1
K446	M91003045	ナットM4	Nut M4	1	1	1
K447	MF01A1776	ベルトカバー-3	Belt cover 3	1	1	1
K448	MF40E0193	糸立て装置組	Thread stand assy.	1	1	1
K449	MF01E0193	糸巻装置組	Bobbin winder assy.	1	1	1
K449	MF03E1193	糸巻装置組	Bobbin winder assy.	-	-	-
K450	MF60A0734	頭部カバー	Head cover	1	1	1
K451	MF00A0608	ネジ 回シ(大)	Screw driver (Size L)	1	1	1
K452	MF70A0578	膝上げ押し棒	Knee lifter lifting rod	1	1	1
K453	MF20A3691	オイルパッキン1	Gasket for oil reservoir 1	1	1	1
K454	M97001052	シーリングワッシャー8	Seal washer 8	1	1	1
K455	M92002002	平ネジ 5/16(28)×10	Screw 5/16(28)×10	1	1	1
K456	MF20A2691	オイルパッキン2	Gasket for oil reservoir 2	1	1	1
K457	MF20A1723	膝上げ横軸	Knee lifter shaft	1	1	1
K458	MF20A1729	膝上げバネ	Knee lifter spring	1	1	1
K459	MF20A1724	膝上げレバー	Knee lifter	1	1	1
K460	M91501045	ナット 15/64(28)	Nut 15/64(28)	2	2	2
K461	M91520001	止ネジ 15/64(28)×27	Set screw 15/64(28)×27	2	2	2
K462	M90515065	E型止輪9	Retaining ring-E type 9	1	1	1
K463	MF01A0139	油槽	Oil reservoir	1	1	1
K463	MF01A1139	油槽	Oil reservoir	-	-	-
K464	MF40A0784	膝当てツギテ	Knee lifter coupling joint	1	1	1
K465	M92001031	四角ネジ 5/16(18)×13	Bolt 5/16(18)×13	2	2	2
K466	MF01A0728	膝上げ縦軸	Knee lifter shaft	1	1	1
K467	M91510022	ネジ 15/16(28)×8	Bolt 15/16(28)×8	1	1	1
K468	MF40A0477	膝当てストップ	Knee lifter plate stopper	1	1	1
K469	MF40A0737	膝当て	Knee lifter plate	1	1	1
K470	MF40A1737	膝当てカバー	Knee lifter cover	1	1	1
K471	M91551022	ネジ M6×12	Bolt M6×12	-	-	-
K472	MF20A0131	油受け台	Oil bottle holder	-	-	-
K473	M90702050	座金φ21	Washer φ21	-	-	-
K474	M90104053	バネ座金6	Spring washer 6	-	-	-
K475	M91571045	ナットM6	Nut M6	-	-	-
K476	MF20A0130	油ビン	Oil bottle	-	-	-
K477	MF10E0149	オイルタンク	Oil tank	1	1	1
K478	MF36A0731	パイプ	Drainage tube	-	-	-
K479	M92001047	特殊ネジ 5/16(28)×10	Stud screw for oil drainage 5/16(28)×10	-	-	-
K480	MF10A4691	ガスケット	Gasket	-	-	-
K481	MF10A0187	糸取りバネ	Thread take-up spring	1	1	-
K481	MF12B0187	糸取りバネ	Thread take-up spring	-	-	1
K482	MF21D0128	ミシン針DA×1#11	Needle DA×1#11	4	-	-
K482	MF30E0128	針セット	Needle Set	-	-	1
K482	MF31E0128	針セット	Needle Set	-	-	1
K483	MF41D0123	ボビン	Bobbin	3	-	-
K483	MF00A0123	ボビン	Bobbin	-	-	3
K483	MF25B0123	ボビン	Bobbin	-	-	3
K484	M91109004	PW付ブライネジ 11/64(40)×8	Cross recessed and slotted screw-PW 11/64(40)×8	2	2	2
K485	M90511050	座金5	Washer for bolt cover 5	2	2	2
K486	M90401041	丸木ネジ 4.5×20	Wood screw for belt cover 4.5×20	2	2	2
K487	M91502002	ヒラネジ 15/64(28)×12	Screw 15/64(28)×12	1	1	1
K918	MF01E0776	ベルトカバー組	Belt cover assy.	1	1	1
K919	MF90E0139	油槽組	Oil reservoir assy.	1	1	-
K919	MF70E0139	油槽組	Oil reservoir assy.	-	-	-
K920	MF01E0727	膝当て組	Knee lifter assy.	1	1	1
K921	MF03E0131	油受け台セット	Oil bottle holder assy.	-	-	-