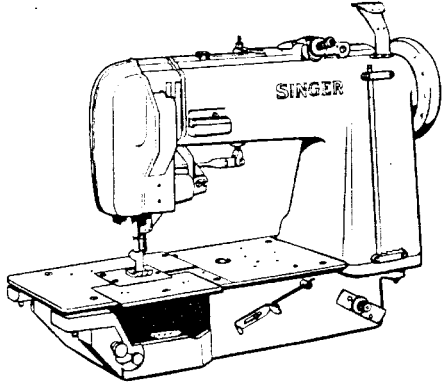
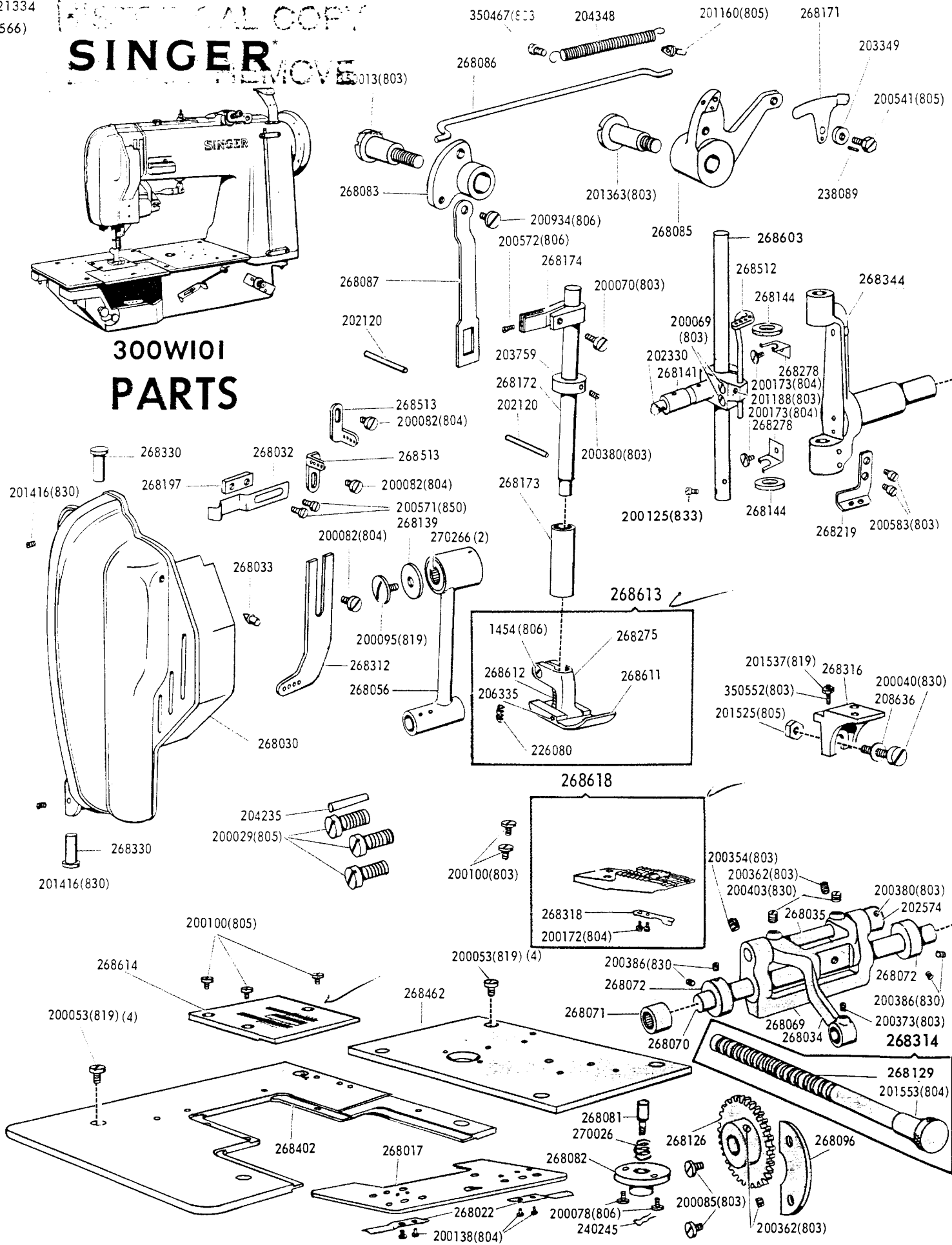


SINGER
300W101, 105, 205, 305 & 405

SINGER



300WI01 PARTS



1(805)

3(803)

140(830)
36

80(803)
202574

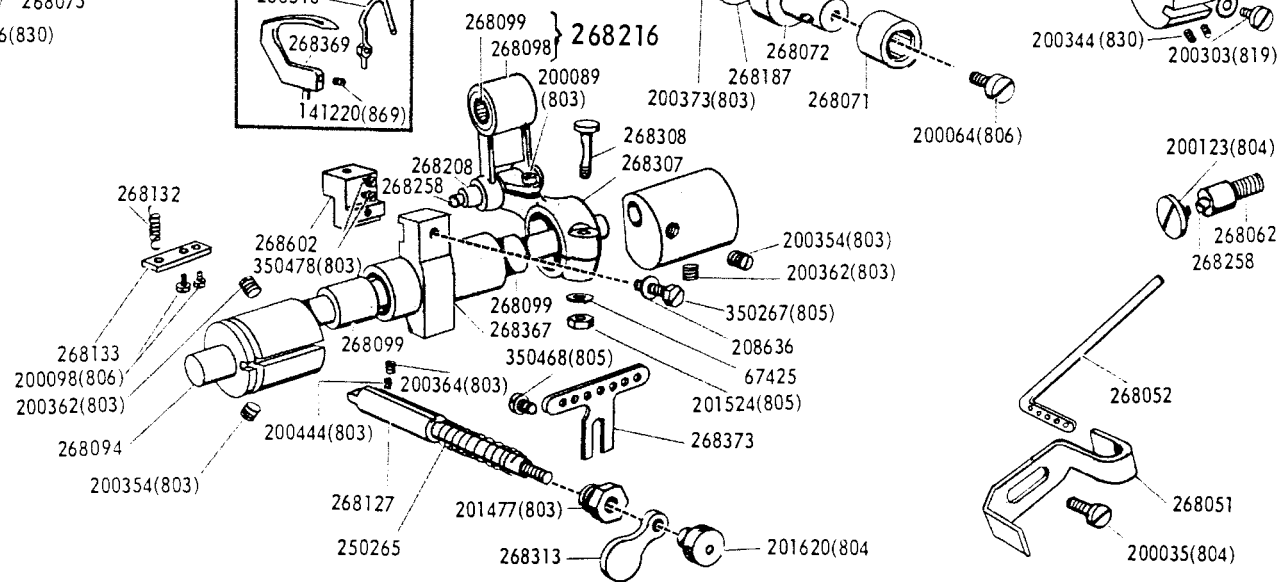
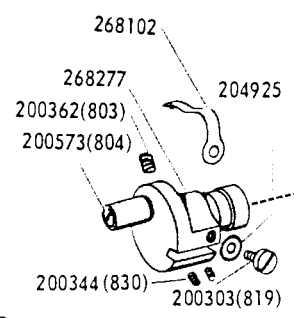
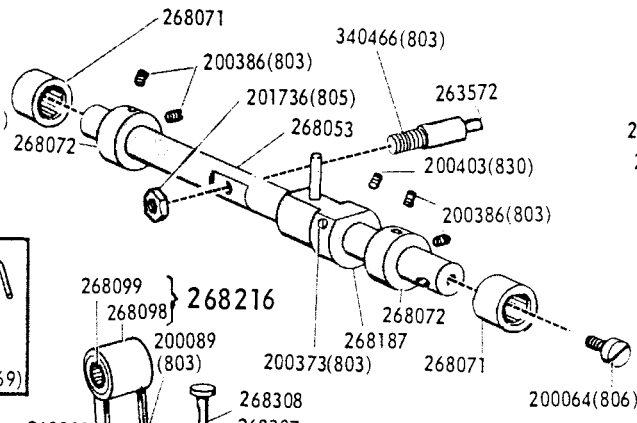
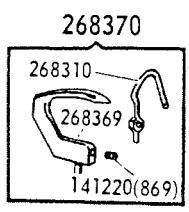
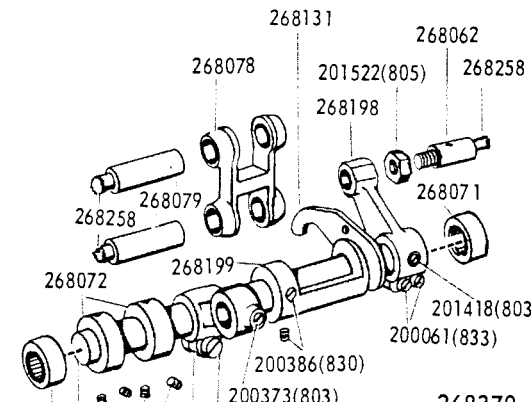
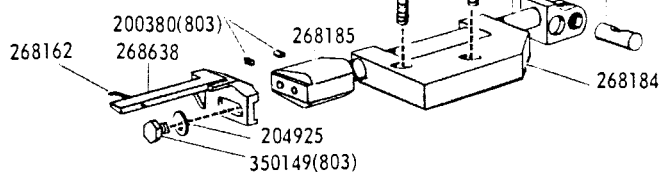
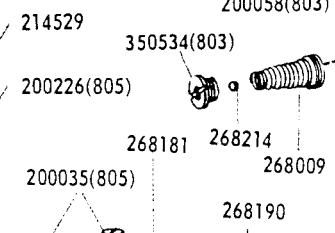
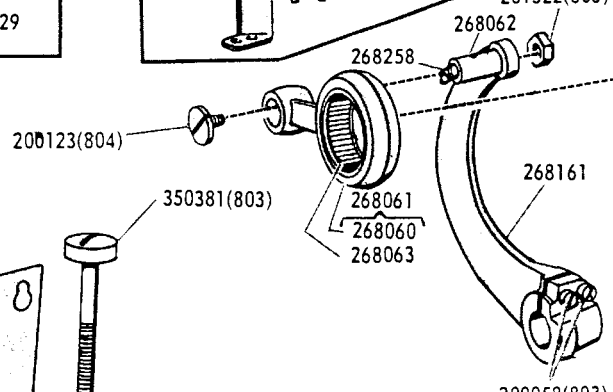
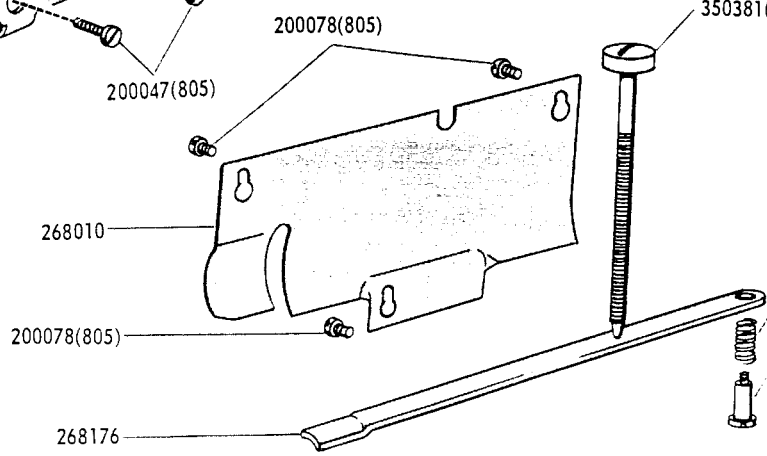
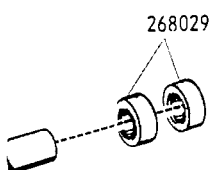
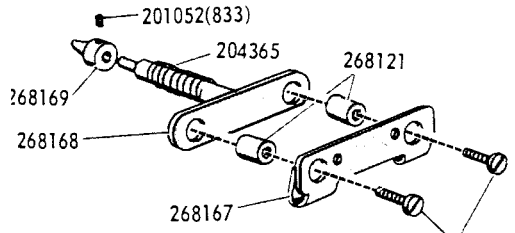
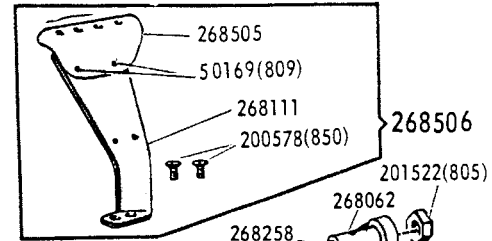
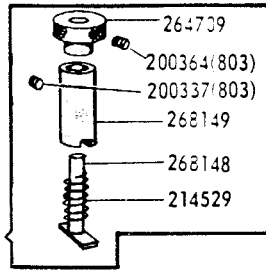
372

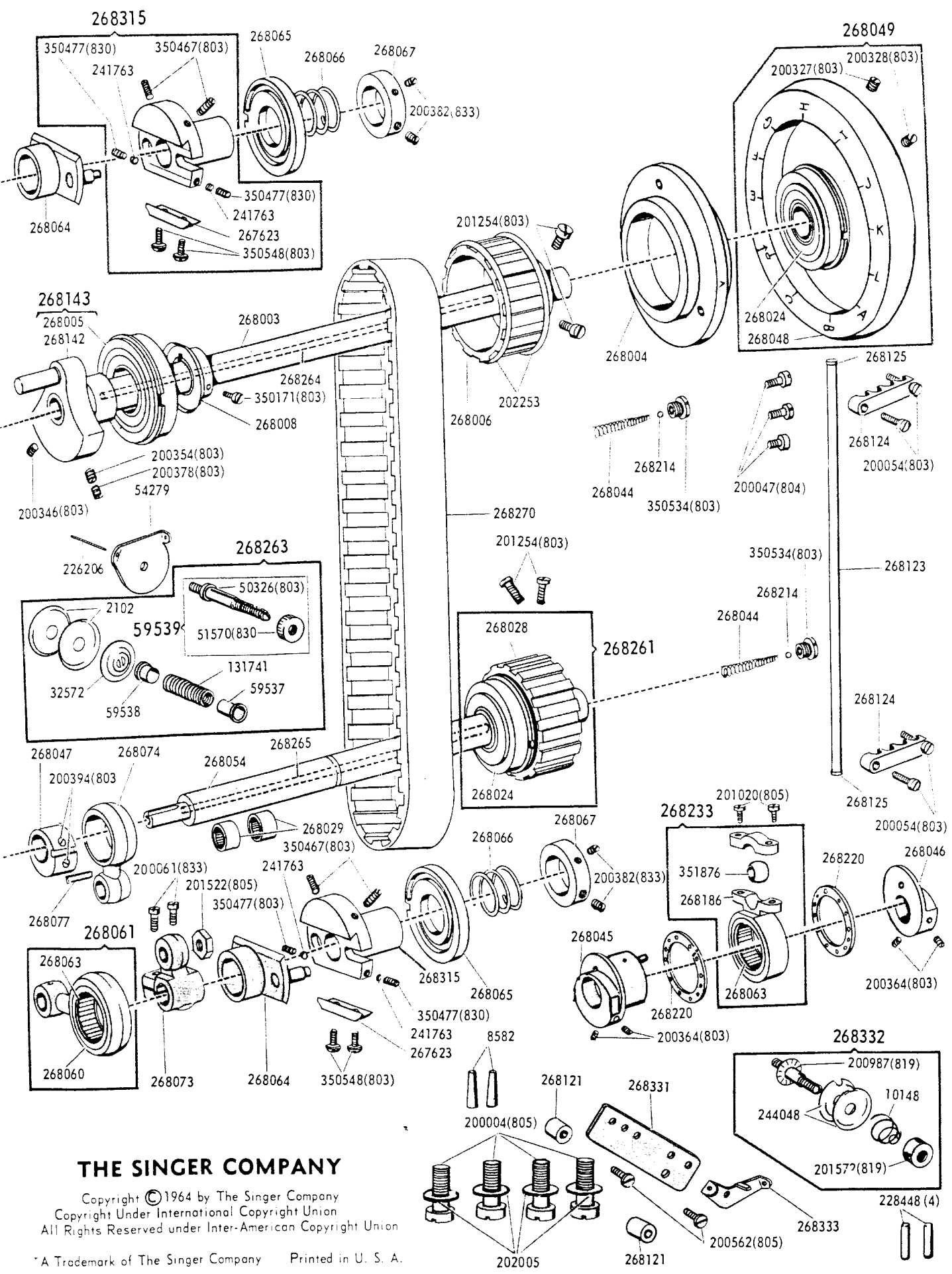
86(830)
373(803)

58314

58129
553(804)

268150





THE SINGER COMPANY

Copyright © 1964 by The Singer Company
 Copyright Under International Copyright Union
 All Rights Reserved under Inter-American Copyright Union

* A Trademark of The Singer Company Printed in U. S. A.

NUMERICAL LIST OF PARTS 300W101 MACHINE

PART NO.	DESCRIPTION	PART NO.	DESCRIPTION	PART NO.	DESCRIPTION
1454(806)	Presser Foot Shank Pinch Screw	200780(831)	Feed Driving Rock Shaft Collar	268022	Bed Plate Slide Spring (2)
2102	Needle Thread Tension Disc (2)	200784(833)	Feed Lifting Eccentric Set Screw (2)	268024	Arm Shaft Ball Bearing (back)
2582	Arm Position Pin (2)	200785(830)	Spreader Driving Crank Set Screw	268028	Bed Shaft Ball Bearing
10146	Looper Thread Tension Spring	200787(830)	Feed Bar Set Screw (2)	268029	Bed Shaft Connection Belt Pulley with two 201254(803)
268129	Looper Throw-out Rack Rod	200444(803)	Looper Throw-out Gear Locking Plunger Stop Screw	268029	Bed Shaft Needle Bearing (2)
268314	Looper Throw-out Rack Rod 268129 with 201553(804)	200841(805)	Needle Thread Tension Releasing Plate Screw	268029	Needle Bar Rock Frame Needle Bearing (2)
32672	Needle Thread Tension Releasing Disc	200852(805)	Looper Thread Tension Bracket Screw (2)	268030	Face Plate with 268033 and two 201410(830)
50169(809)	Looper Thread Guide (top of Arm) Bracket Screw (2)	200571(850)	Face Plate Lock Spring Screw (2)	268032	Face Plate Lock Spring
50520(803)	Needle Thread Tension Stud	200572(806)	Presser Bar Guide Bracket Adjusting Screw	268033	Face Plate Lock Stud
51579(830)	Needle Thread Tension Thumb Nut	200573(804)	Looper Driving Crank Oil Stop screw	268034	Feed Bar with 200373(803) and two 203403(830)
54279	Needle Thread Tension Thread Guide (double)	200578(803)	Looper Thread Guide (top of arm) Bracket screw (2)	268035	Feed Bar Hinge Pin
54537	Needle Thread Tension Spring Bushing (front)	200583(803)	Needle Bar Rock Frame Thread Guide Screw (2)	268044	Arm Shaft Oil Stop Ball Spring (rear)
54538	Needle Thread Tension Spring Bushing (back)	200924(806)	Foot Lifter Lifting Link Hinge Screw	268044	Bed Shaft Oil Stop Ball Spring
54539	Needle Thread Tension Stud 50520(803) with 51579(830)	200947(819)	Looper Thread Tension Stud	268045	Spreader Driving Eccentric with two 200344(803)
67425	Looper Carrier Crank Clamping stud Washer	201020(803)	Spreader Driving Connection Cap Screw (2)	268046	Spreader Driving Eccentric Counter-balance with two 200348(803)
131741	Needle Thread Tension Spring	201022(803)	Needle Thread Tension Releaser Cap Set Screw	268047	Feed Lifting Eccentric with 268077 and two 200394(803)
141220(809)	Needle Guard Set Screw	201052(833)	Foot Lifter Lever Spring Screw Eye	268048	Machine Pulley (aluminum alloy casting) for V belt (outside diam. of belt groove 2.9 in.) with 200327(803) and 200328(803)
200004(805)	Arm screw (4)	201100(805)	Needle Thread Guide (on Needle Bar Connecting Stud) Set Screw	268049	Machine Pulley 268048 with 268024
200029(805)	Arm Head screw (3)	201188(813)	Bed Shaft Connection Belt Pulley Set Screw (2)	268051	Looper Thread Guide
200035(804)	Looper Thread Guide Screw	201254(803)	Arm Shaft Connection Belt Pulley Set Screw (2)	268052	Looper Thread Take-up Rod
200035(805)	Spreader Bar Bearing screw (2)	201259(803)	Feed Lifting Rock Pinch Screw	268053	Spreader Driving Rock Shaft with 200004(806)
200044(803)	Feed Dog Shank Screw	201259(830)	Feed Lifting Rock Pinch Screw	268054	Bed Shaft with 268044, 268214, 268265 and 350534(803)
200047(804)	Arm Shaft Ball Bearing (back) Housing Screw (5)	201313(803)	Foot Lifter Lever Hinge Screw	268056	Needle Bar Connecting Link 268055 with two 27029t
200047(805)	Needle Thread Tension Bracket screw (2)	201410(830)	Face Plate Hinge Stud Set Screw (2)	268060	Feed Driving Connection
200055(819)	Bed Plate Screw (8)	201418(803)	Feed Lifting Rock Shaft Crank Position Screw	268060	Needle Bar Rock Frame Driving Connection
200054(803)	Looper Thread Tube Clamp screw (4)	201477(803)	Looper Throw-out Gear Locking Plunger Screw Bushing	268061	Needle Bar Rock Frame Driving Connection 268060 with 268063
200058(803)	Needle Bar Rock Frame Driving Arm Pinch Screw (2)	201522(805)	Needle Bar Rock Frame Driving Connection Hinge Stud Nut	268061	Feed Driving Connection 268060 with 268063
200061(833)	Feed Lifting Rock Shaft Crank Pinch Screw (2)	201522(805)	Feed Driving Connection Hinge Stud Nut	268062	Feed Driving Connection Hinge Stud with 268258
200061(833)	Feed Driving Rock Shaft Crank Pinch Screw (2)	201524(805)	Looper Carrier Crank Clamping Stud Nut	268062	Feed Lifting Connection Hinge Stud with 268258
200064(806)	Looper Thread Take-up Rod Set Screw	201525(805)	Feed Dog Shank Screw Lock Nut	268062	Needle Bar Rock Frame Driving Connection Hinge Stud with 268258
200069(803)	Needle Bar Connecting Stud Pinch screw (2)	201537(819)	Feed Dog Shank Adjusting Screw Lock Nut	268063	Feed Driving Connection Needle Bearing
200070(803)	Presser Bar Guide Bracket Pinch Screw	201553(804)	Looper Throw-out Rack Rod Thumb Nut	268063	Needle Bar Rock Frame Driving Connection Needle Bearing
200076(805)	Arm Side Cover Screw (3)	201572(819)	Looper Thread Tension Thumb Nut	268063	Needle Bar Rock Frame Driving Connection Needle Bearing
200076(806)	Feed Regulating Stud Socket Screw (2)	201620(804)	Looper Throw-out Gear Locking Plunger Thumb Nut	268063	Spreader Driving Connection Needle Bearing
200082(804)	Needle Thread Guide Screw (3)	201730(805)	Spreader Driving Rock Shaft screw Stud Nut	268064	Feed Driving Eccentric
200085(803)	Looper Carrier Shaft Bushing (left) Position Plate Screw (2)	202005	Arm screw Washer (4)	268064	Needle Bar Rock Frame Driving Eccentric
200089(803)	Looper Carrier Crank Hinge Pin Pinch Screw	202120	Presser Bar Lever Stop Pin	268065	Feed Driving Eccentric Adjusting Disc
200095(819)	Needle Bar Connecting Link Cap Washer Screw	202120	Foot Lifter Lifting Link Stop Pin	268065	Needle Bar Rock Frame Driving Eccentric Adjusting Disc
200098(806)	Looper Throw-out Safety Latch Spring Bracket Screw (2)	202253	Arm Shaft Connection Belt Pulley Spring Flange (2)	268066	Feed Driving Eccentric Adjusting Disc Spring
200100(803)	Feed Dog Screw (2)	202257	Needle Bar Connecting Stud Oil bearing (wick)	268066	Needle Bar Rock Frame Driving Eccentric Adjusting Disc Spring
200100(805)	Throat Plate Screw (3)	202349	Feed Bar Hinge Pin Collar with 200380(803)	268067	Needle Bar Rock Frame Driving Eccentric Adjusting Disc Spring
200123(804)	Needle Bar Rock Frame Driving Connection Cap Screw	202759	Needle Thread Tension Releasing Plate screw Washer	268067	Feed Driving Eccentric Adjusting Disc Spring Collar with two 200382(833)
200123(804)	Feed Driving Connection Cap Screw	202759	Presser Bar Stop Collar with 200380(803)	268067	Needle Bar Rock Frame Driving Eccentric Adjusting Disc Spring Collar with two 200382(833)
200125(833)	Needle Set Screw	204025	Arm Head Position Pin	268068	Feed Driving Rock Frame with 200354(803) and 200020(803)
200138(804)	Bed Plate Slide Spring Screw (4)	204048	Foot Lifter Lever Spring	268071	Feed Driving Rock Shaft
200172(804)	Loop Deflector Screw (2)	204045	Needle Thread Tension Releaser Spring	268071	Feed Driving Rock Shaft Needle Bearing (2)
200173(804)	Needle Bar Oiling Felt Holder Screw (2)	204025	Spreader Screw Washer	268071	Feed Lifting Rock Shaft Needle Bearing (2)
200226(805)	Presser Bar spring Support Screw	204025	Looper Driving Crank Oil Hole Cover Screw Washer	268071	Spreader Driving Rock Shaft Needle Bearing (2)
200305(819)	Looper Driving Crank Oil Hole Cover Screw	204335	Presser Foot Hinge Pin	268072	Feed Driving Rock Shaft Collar with two 200380(830) (2)
200327(805)	Machine Pulley Set Screw	204336	Looper Holder Screw Washer	268072	Feed Lifting Rock Shaft Collar with two 200380(830) (2)
200328(813)	Machine Pulley Position Screw	204337	Feed Dog Shank Screw Washer	268072	Feed Lifting Rock Shaft Collar with two 200380(830) (2)
200347(803)	Needle Bar Rock Frame Regulating Stud Sleeve Set Screw	214524	Needle Bar Rock Frame Regulating Stud Spring	268072	Feed Lifting Rock Shaft Collar with two 200380(830) (2)
200344(803)	Looper Driving Crank Position Screw (2)	220060	Presser Foot Plate Spring	268073	Feed Driving Rock Shaft Collar with two 200061(833)
200346(803)	Needle Bar Crank Set Screw	220206	Needle Thread Tension Releasing Pin	268074	Feed Lifting Connection
200354(803)	Needle Bar Crank Position Screw	224448	Machine Locating Stud (4)	268075	Feed Lifting Crank with 200373(803) and 201256(830)
200354(803)	Feed Driving Rock Frame Position Screw	238089	Needle Thread Tension Releasing Plate Pin	268077	Feed Lifting Eccentric Lubricating Pad (wood)
200354(803)	Looper Carrier Shaft Bushing Position Screw (2)	240245	Feed Regulating Stud Retaining Spring	268078	Feed Lifting Link
200352(803)	Looper Driving Crank Set Screw	241703	Feed Driving Eccentric Friction Plate Screw Set Screw Packing (brass) (2)	268079	Feed Lifting Link Hinge Pin with 268258 (2)
200352(803)	Looper Throw-out Gear Set Screw (2)	241703	Needle Bar Rock Frame Driving Eccentric Friction Plate Screw Set Screw Packing (brass) (2)	268080	Feed Lifting Rock Shaft
200352(803)	Looper Carrier Shaft Bushing Set Screw (2)	244048	Looper Thread Tension Disc (2)	268081	Feed Regulating Stud
200362(803)	Feed Driving Rock Frame Set Screw	250265	Looper Throw-out Gear Locking Plunger Spring	268082	Feed Regulating Stud Socket
200364(803)	Spreader Driving Eccentric Counter-balance Set Screw (2)	263572	Spreader Driving Rock Shaft: Screw Stud Oil Packing (wick)	268085	Foot Lifter Bell Crank
200364(803)	Needle Bar Rock Frame Regulating Stud Cap Set Screw	264709	Needle Bar Rock Frame Regulating Stud Cap with 200364(803)	268086	Foot Lifter Lever with 238089
200364(803)	Looper Throw-out Gear Locking Plunger Stop Screw Set Screw	267623	Feed Driving Eccentric Friction Plate	268086	Foot Lifter Lever Rod
200373(803)	Spreader Driving Crank Position Screw	267623	Needle Bar Rock Frame Driving Eccentric Friction Plate	268087	Foot Lifter Lifting Link
200373(803)	Feed Lifting Link Hinge Pin Set Screw (2)	268003	Arm Shaft with 268009, 268044, 268264 two each 268214 and 350534(803)	268094	Looper Carrier Shaft: 268093 with 268095 and 268097
200378(803)	Needle Bar Crank Position Screw Check Screw	268004	Arm Shaft Ball Bearing (back) Housing	268096	Looper Carrier Shaft Bushing (left) Position Plate
200380(803)	Spreader Holder Set Screw (2)	268005	Arm Shaft Ball Bearing (front)	268098	Looper Driving Connection
200380(803)	Presser Bar Stop Collar Set Screw	268006	Arm Shaft Connection Belt Pulley with two each 201254(803) and 202253	268099	Looper Carrier Needle Bearing (2)
200380(830)	Feed Bar Hinge Pin Collar Set Screw	268006	Arm Shaft Oil Slinger with 350171(803)	268099	Looper Driving Connection Needle Bearing
200382(833)	Needle Bar Rock Frame Driving Eccentric Adjusting Disc Spring Collar Set Screw (2)	268010	Arm Shaft Oil Stop Ball Spring (front)		
200382(833)	Feed Driving Eccentric Adjusting Disc Spring Collar Set Screw (2)	268017	Arm Side Cover		
200386(830)	Looper Throw-out Safety Latch Collar Set Screw (2)		Bed Plate Slide with two 268022 and four 200138(804)		
200386(803)	Spreader Driving Rock Shaft Collar Set Screw (4)				
200386(803)	Feed Lifting Rock Shaft Collar Set Screw (4)				

PART NO.	DESCRIPTION
268102	Looper Driving Crank Oil Hole Cover
268111	Looper Thread Guide (top of Arm) Bracket
268121	Looper Thread Tension Bracket Spacing Collar (2)
268121	Needle Thread Tension Bracket Spacing Collar (2)
268123	Looper Thread Tube with two 268125
268124	Looper Thread Tube Clamp (2)
268125	Looper Thread Tube Thread Bushing (2)
268126	Looper Throw-out Gear with two 209562(803)
268127	Looper Throw-out Gear Locking Plunger
268131	Looper Throw-out Safety Latch
268132	Looper Throw-out Safety Latch Spring
268133	Looper Throw-out Safety Latch Spring Bracket
268603	Needle Bar
268139	Needle Bar Connecting Link Cap Washer
268141	Needle Bar Connecting Stud with 201184(803), 203390 and two 200093(803)
268142	Needle Bar Crank with 200346(803), 200354(803) and 203578(803)
268143	Needle Bar Crank 268142 with 268005
268144	Needle Bar Oiling Felt (2)
268148	Needle Bar Rock Frame Regulating Stud
268149	Needle Bar Rock Frame Regulating Stud Sieve
268150	Needle Bar Rock Frame Regulating Stud complete, Nos. 214529, 264709, 268148 and 268149
268161	Needle Bar Rock Frame Driving Arm with two 200058(803)
268162	Spreader Point
268167	Needle Thread Tension Bracket
268168	Needle Thread Tension Releaser
268169	Needle Thread Tension Releaser Cap with 201052(833)
268171	Needle Thread Tension Releasing Plate (adjustable)
268172	Presser Bar
268173	Presser Bar Bushing
268174	Presser Bar Guide Bracket with 206070(803) and 200572(800)
268176	Presser Bar Spring
268181	Spreader Bar
268184	Spreader Bar Bearing
268185	Spreader Holder with two 200380(803)
268186	Spreader Driving Connection with two 201020(805)
268187	Spreader Driving Crank with 200373(803) and 200403(830)
268190	Spreader Driving Pin
268197	Face Plate Lock Spring Plate
268198	Feed Lifting Rock Shaft Crank with 201418(803) and two 200061(833)
268199	Looper Throw-out Safety Latch Collar with two 200386(830)
268208	Looper Carrier Crank Hinge Pin with 268258
268214	Arm Shaft Oil Stop Ball 5/32 in. diam. (2)
268214	Bed Shaft Oil Stop Ball
268216	Looper Driving Connection 268098 with 268099
268219	Needle Bar Rock Frame Thread Guide
268220	Spreader Driving Eccentric Thrust Washer (2)
268231	Spreader Driving Connection 268186 with 268063 and 351876
268258	Feed Driving Connection Hinge Stud Oil Packing (wick)
268258	Feed Lifting Connection Hinge Stud Oil Packing (wick)
268258	Feed Lifting Link Hinge Pin Oil Packing (wick) (2)
268258	Looper Carrier Crank Hinge Pin Oil Packing (wick)
268258	Needle Bar Rock Frame Driving Connection Hinge Stud Oil Packing (wick)
268261	Bed Shaft Connection Belt Pulley 268028 with 268024
268263	Needle Thread Tension complete, Nos. 32572, 59537, 59538, 59539, 131741 and two 2102
268264	Arm Shaft Oil Control Rod (wood)
268265	Bed Shaft Oil Control Rod (wood)
268270	Arm Shaft Connection Belt (reinforced neoprene)
268275	Presser Foot Shank with 1454(806)
268277	Looper Driving Crank with 200362(803), 200573(804) and two 200344(830)
268278	Needle Bar Oiling Felt Holder (2)
268344	Needle Bar Rock Frame
268306	Presser Bar Spring Cushion Spring
268307	Looper Carrier Crank with 200089(803)
268308	Looper Carrier Crank Clamping Stud
268310	Needle Guard
268312	Needle Thread Guide (on Arm Head)
268313	Looper Throw-out Gear Locking Plunger Handle
268315	Feed Driving Flange with 267623, two each 241763, 350467(803), 350477(830) and 350548(803)
268315	Needle Bar Rock Frame Driving Flange with 267623, two each 241763, 350467(803), 350477(830) and 350548(803)
268316	Feed Dog Shank with 201537(819) and 350552(803)

PART NO.	DESCRIPTION
268317	Loop Deflector
268318	Face Plate Hinge Stud (1)
268319	Looper Thread Tension Bracket
268321	Looper Thread Tension complete, Nos. 10148, 200987(819), 201171(819) and two 244048
268331	Looper Thread Tension Thread Guide
268367	Looper Carrier
268368	Looper Carrier 268367 with two 268099
268369	Looper with 141220(869)
268370	Looper and Needle Guard complete, Nos. 268310 and 268369
268373	Looper Thread Guide (on bed at looper) for all gauges from 3/16 to 2 inches
268402	Bed Plate (left)
268462	Bed Plate (right)
268505	Looper Thread Guide (top of Arm)
268506	Looper Thread Guide (top of Arm) Bracket: 268111 with 268505 and two 50169(809)
268512	Needle Thread Guide (on Needle Bar Connecting Stud)
268513	Needle Thread Guide (on side of Arm) (2)
268602	Looper Holder with two 350478(803)
268611	Presser Foot Plate
268612	Presser Foot Plate Heel Spring
268613	Presser Foot (spring hinged) complete, 46 needle hole, Nos. 206335, 226080, 268275, 268611 and 268612
268614	Throat Plate
268618	Feed Dog, 46 needle hole, for needle sizes 20 and 22 (teeth cut 15 to the inch) with 268318 and two 209172(804), for 268614
268638	Spreader with 268162
270026	Feed Regulating Stud Spring
270266	Needle Bar Connecting Link Needle Bearing (2)
340466(803)	Spreader Driving Rock Shaft Screw Stud with 263572
350013(803)	Foot Lifter Bell Crank Hinge Screw
350149(803)	Spreader Screw
350171(803)	Arm Shaft Oil Slinger Set Screw
350267(805)	Looper Holder Screw
350381(803)	Presser Bar Spring Adjusting Screw
350467(803)	Presser Bar Spring Adjusting Screw Set Screw
350467(803)	Needle Bar Rock Frame Driving Flange Set Screw (2)
350467(803)	Feed Driving Flange Set Screw (2)
350466(805)	Looper Thread Guide (on bed at looper) Screw
350477(830)	Needle Bar Rock Frame Driving Eccentric Friction Plate Screw Set Screw (2)
350477(830)	Feed Driving Eccentric Friction Plate Screw Set Screw (2)
350478(803)	Looper Set Screw
350478(803)	Looper Adjusting Screw
350534(803)	Bed Shaft Oil Stop Ball Screw
350534(803)	Arm Shaft Oil Stop Ball Screw (2)
350548(803)	Needle Bar Rock Frame Driving Eccentric Friction Plate Screw (2)
350548(803)	Feed Driving Eccentric Friction Plate Screw (2)
350552(803)	Feed Dog Shank Adjusting Screw
351876	Spreader Driving Rock Shaft Screw Stud Ball Bearing

ACCESSORIES

PART NO.	DESCRIPTION
265307	Bed Hinge Connection (2)
350596	Bed Hinge Connection Screw (4)
228731	Drip Pan
200019(805)	Drip Pan Screw (4)
232365	Foot Lifter Treadle Chain, 41-1/2 in. long
268340	Looper Threading Wire
228452	Machine Base Oil Drain Jar complete
228444	Machine Cushion (neoprene)
41400	Machine Rest Pin (wood)
226733	Machine Rest (left)
226734	Machine Rest (right)
Cat. No.	
3260	Needles (62x57) Size 22 (6)
228491	Pressure Oiler
226745	Thread Unwinder complete
129341	Twelve
21887	Wrench

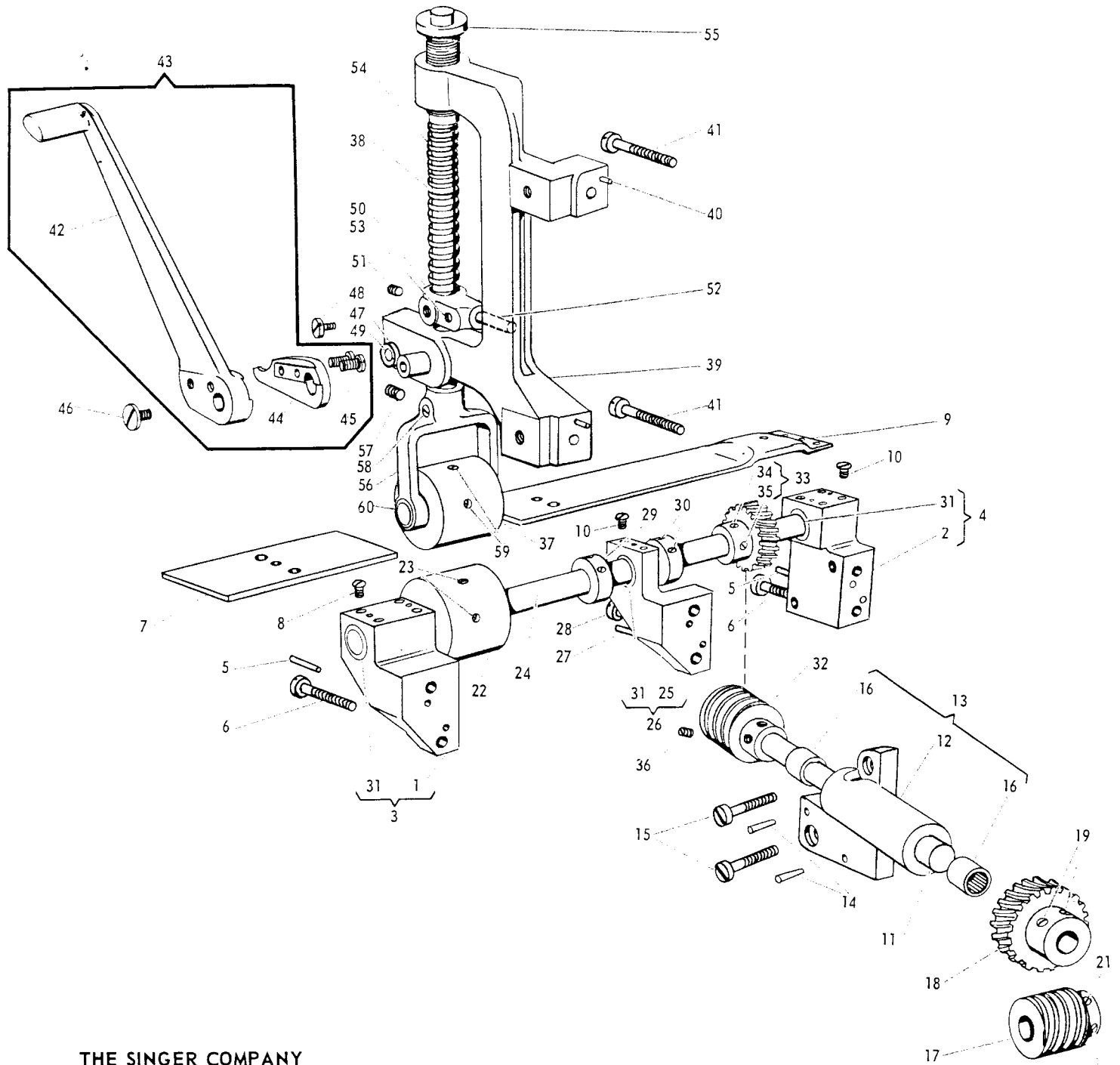
STYLE OF FINISH:

When ordering screws, nuts and similar parts include new code numbers which follow part numbers in list.

NEW CODE	OLD CODE	DESCRIPTION
803	C	Hardened only
804	D	Polished only
805	E	Soft, Not Polished
806	F	Hardened and Polished
819	X	Black Oxide for Iron and Steel
830	A. L.	Heat Treated for Toughness
833	A. L. X.	Hardened and Black Oxide for Iron and Steel
869	--	Commercial Finish for Allen type Screws

SUPPLEMENTARY PARTS ILLUSTRATIONS FOR SINGER* MACHINES 300W105, 205, 305 and 405

All Parts for Machines 300W105, 205, 305 and 405 are the same as Machine 300W101 with the following exceptions:



THE SINGER COMPANY

Copyright © 1964 The Singer Company
Rights Reserved under Inter-American Copyright Union
Copyright under International Copyright Union

*A Trademark of THE SINGER COMPANY

**SUPPLEMENTARY PARTS LIST FOR MACHINES 300W105, 205, 305 and 405
(Same as Complete List for MACHINE 300W101 with the following EXCEPTIONS)**

**CHANGE 300W101 LISTINGS
AS INDICATED BELOW**

CODE	NUMBER	DESCRIPTION	CODE	NUMBER	DESCRIPTION	CODE	NUMBER	DESCRIPTION
1	268752	Bed Hinge Connection Bracket (left)	22	131979	Puller Feed Roll (lower) and two 140279(830), for gauges from 3/16 in. to 1-1/4 in.	41	201308(805)	Puller Feed Roll (upper) Bar Bracket Screw (2)
2	268608	Bed Hinge Connection Bracket (right)				42	268430	Puller Feed Roll (upper) Bar Lifter
3	268452	Bed Hinge Connection Bracket 268752 with 268425(Needle Bearing on left)	23	140279(830)	Puller Feed Roll (lower) Set Screw (2)	43	268431	Puller Feed Roll (upper) Bar Lifter 268430 with 268432 and two 200050(803)
4	269609	Bed Hinge Connection Bracket (right) 269608 with 268425 (Needle Bearing on left)	24	268465	Puller Feed Roll (lower) Shaft	44	268432	Puller Feed Roll (upper) Bar Lifter Cam Plate
5	232866	Bed Hinge Connection Bracket Position Pin (4)	25	268448	Puller Feed Roll (lower) Shaft Bracket	45	200050(803)	Puller Feed Roll (upper) Bar Lifter Cam Plate Screw (2)
6	200017(803)	Bed Hinge Connection Bracket Screw (4)	26	268449	Puller Feed Roll (lower) Shaft Bracket 268448 with 268425	46	201011(819)	Puller Feed Roll (upper) Bar Lifter Cap Screw
7	268407	Puller Feed Cover Plate (left) for gauges from 3/16 in. to 1-1/4 in.	27	232866	Puller Feed Roll (lower) Shaft Bracket Position Pin (2)	47	201892	Puller Feed Roll (upper) Bar Lifter Roller
8	200571(804)	Puller Feed Cover Plate (left) Screw (2)	28	200017(803)	Puller Feed Roll (lower) Shaft Bracket Screw (2)	48	200202(806)	Puller Feed Roll (upper) Bar Lifter Roller Screw Stud
9	268464	Puller Feed Cover Plate (right) for gauges from 3/16 in. to 1-1/4 in.	29	268424	Puller Feed Roll (lower) Shaft Collar with two 200378(803) (2)	49	268433	Puller Feed Roll (upper) Bar Lifter Stop Pin
10	200571(804)	Puller Feed Cover Plate (right) Screw (2)	30	200378(803)	Puller Feed Roll (lower) Shaft Collar Set Screw (4)	50	268434	Puller Feed Roll (upper) Bar Position Bracket with 268435 and two 200362(803)
11	269621	Puller Feed Cross Shaft	31	268425	Puller Feed Roll (lower) Shaft Needle Bearing (3)	51	200362(803)	Puller Feed Roll (upper) Bar Position Bracket Set Screw
12	269622	Puller Feed Cross Shaft Bracket	32	269655	Puller Feed Roll (lower) Shaft Worm with two 200382(833) (for 5 stitches per inch)	52	268435	Puller Feed Roll (upper) Bar Position Bracket Stud
13	269623	Puller Feed Cross Shaft Bracket 269622 with two 268425	33	269656	Puller Feed Roll (lower) Shaft Worm Gear with 200362(803) and 201220(833) (for 5 stitches per inch)	53	200362(803)	Puller Feed Roll (upper) Bar Position Bracket Stud Set Screw
14	232866	Puller Feed Cross Shaft Bracket Position Pin (2)				54	268436	Puller Feed Roll (upper) Bar Spring
15	200017(803)	Puller Feed Cross Shaft Bracket Screw (2)	34	201220(833)	Puller Feed Roll (lower) Shaft Worm Gear Position Screw	55	913(806)	Puller Feed Roll (upper) Bar Spring Adjusting Thumb Screw
16	268425	Puller Feed Cross Shaft Needle Bearing (2)				56	268437	Puller Feed Roll (upper) Bracket with 200354(803) and 200382(833), for gauges from 3/16 in. to 1-1/4 in.
17	269624	Puller Feed Cross Shaft Worm with 200382(833) and 201220(833)	35	200362(803)	Puller Feed Roll (lower) Shaft Worm Gear Set Screw	57	200354(803)	Puller Feed Roll (upper) Bracket Position Screw
18	269625	Puller Feed Cross Shaft Worm Gear with two 200362(803)	36	200382(833)	Puller Feed Roll (lower) Shaft Worm Set Screw (2)	58	200382(833)	Puller Feed Roll (upper) Bracket Set Screw
19	200362(803)	Puller Feed Cross Shaft Worm Gear Set Screw (2)	37	131979	Puller Feed Roll (upper) and two 140279(830), for gauges from 3/16 in. to 1-1/4 in.	59	140279(830)	Puller Feed Roll (upper) Set Screw (2)
20	201220(833)	Puller Feed Cross Shaft Worm Position Screw	38	268428	Puller Feed Roll (upper) Bar	60	268438	Puller Feed Roll (upper) Shaft, for gauges from 3/16 in. to 1-1/4 in.
21	200382(833)	Puller Feed Cross Shaft Worm Set Screw	39	268429	Puller Feed Roll (upper) Bar Bracket with 268433			
			40	232077	Puller Feed Roll (upper) Bar Bracket Position Pin(2)			

SUPPLEMENTARY PARTS LIST FOR MACHINES 300W105, 205 305 and 405
(Same as Complete List for MACHINE 300W101 with the following EXCEPTIONS)

**CHANGE 300W101 LISTINGS
AS INDICATED BELOW
TO MAKE 300W105**

NUMBER	DESCRIPTION
268463	Bed Shaft with 268044, 268214, 268265 and 350534(803) in place of 268054
268219(016)	Needle Bar Rock Frame Thread Guide in place of 268219
268638(016)	Spreader with 268162 in place of 268638

**CHANGE 300W101 LISTINGS
AS INDICATED BELOW
TO MAKE 300W205**

NUMBER	DESCRIPTION
268463	Bed Shaft with 268044, 268214, 268265 and 350534(803) in place of 268054
267802(016)	Feed Dog, 46 needle hole, for needle sizes 20 and 22 (teeth cut 15 to the inch) with two 268318 and four 200172(804) for 268618
268103	Looper Holder with four 350478(803) in place of 268602
268219(016)	Needle Bar Rock Frame Thread Guide in place of 268219
268151(016)	Needle Holder with two 50014(803) in place of 268627
267871	Presser Foot Plate in place of 268611
278872(016)	Presser Foot (spring hinged) complete, 46 needle hole, Nos. 206335, 226080, 267871, 268275 and 268612 in place of 268613
267851(016)	Throat Plate in place of 268614
268374(016)	Spreader with two 268162 in place of 268638

**CHANGE 300W101 LISTINGS
AS INDICATED BELOW
TO MAKE 300W305**

NUMBER	DESCRIPTION
268463	Bed Shaft with 268044, 268214, 268265 and 350534(803) in place of 268054
268811(501)	Feed Dog, 46 needle hole, for needle sizes 20 and 22 (teeth cut 15 to the inch) with three 268318 and six 200172(804) for 268976 in place of 268618
268836(501)	Looper Holder with six 350478(803) in place of 268602
268876(501)	Needle Bar Rock Frame Thread Guide in place of 268219
268896(501)	Needle Holder with three 50014(803) in place of 268627
268514	Needle Thread Tension Bracket in place of 268167
268515	Needle Thread Tension Releaser in place of 268168
230795	Presser Foot Hinge Pin in place of 206335
268920(501)	Presser Foot Plate in place of 268611
268921(501)	Presser Foot (spring hinged) complete, 46 needle hole, Nos. 226080, 230795, 268275, 268612 and 268920(501), in place of 268613
268976(502)	Throat Plate in place of 268614
268876(501)	Spreader with three 268162 in place of 268638

**CHANGE 300W101 LISTINGS
AS INDICATED BELOW
TO MAKE 300W405**

NUMBER	DESCRIPTION
268463	Bed Shaft with 268044, 268214, 268265 and 350534(803) in place of 268054
269006(501)	Feed Dog, 46 needle hole, for needle sizes 20 and 22 (teeth cut 15 to the inch) with four 268318 and eight 200172(804) for 269379 in place of 268618
269065(501)	Looper Holder with eight 350478(803) in place of 268602
269342(570)	Needle Bar Rock Frame Thread Guide in place of 268219
269191(501)	Needle Holder with four 50014(803) in place of 268627
268514	Needle Thread Tension Bracket in place of 268167
268515	Needle Thread Tension Releaser in place of 268168
269235(505)	Presser Foot Plate (left) in place of 268611
269236(505)	Presser Foot Plate (right) in place of 268611
26231	Presser Foot Plate Spring in place of 226080(2)
271117	Presser Foot Shank (left) in place of 268275
271119	Presser Foot Shank (right) in place of 268275
269237(505)	Presser Foot (hinged compensating) complete, 46 needle hole Nos. 269234, 269235(505), 269236(505), 271115, 271116, 271117, 271119, 350515(803), two each 26231, 200583(819) and 213910 in place of 268613
269379(501)	Throat Plate in place of 268614
269342(501)	Spreader with four 268162 in place of 268638

**OMIT THE FOLLOWING
PART LISTED FOR 300W101**

NUMBER	DESCRIPTION
202120	Presser Bar Lever Stop Pin