

Form 19126, Revised

( 642 )

Printed in U. S. A.

# LIST OF PARTS



MACHINES  
Nos. 231-4 and 231-5

---

THE SINGER MANUFACTURING COMPANY

## INSTRUCTIONS FOR OILING

---

Lift out the arm reservoir gauge and fill the oil reservoir to the level mark on the gauge. Run the machine a few minutes, then check the oil level and, if necessary, fill to the mark on the gauge.

Remove the screw plug on the balance wheel and fill the reservoir practically to the top. THIS OIL LEVEL SHOULD NEVER BE ALLOWED TO GO BELOW THE HOLE AT THE CENTER OF THE ARM SHAFT.

Apply about 5 drops of oil to each of the three oil cups for the ball bearings and to the oil cup on the idler pulley beneath the balance wheel.

When the machine is first started, put a few drops of oil in the top of the needle bar guide pin over the needle bar.

Thereafter, when the machine is in continuous use, replenish the oil supply about twice each week.

Use only "Singer Stainless Oil for High Speed Sewing Machines".

## INDEX

---

	Page
Accessories.....	21
Belt Guards.....	21
Foot Lifter and Starting Treadle Parts.....	21
Front Planks.....	23
Idlers.....	24
Lap Seam Feller.....	25
Machine Cushions.....	25
Machine No. 231-4.....	7
Machine No. 231-5.....	19
Numerical List of Parts.....	29
Obsolete Parts.....	28
Power Table Accessories.....	26
Thread Unwinder No. 150370.....	26
Thread Unwinder Spool Rests.....	26
Thread Unwinder No. 150695.....	27
Thread Unwinder Thread Cone Holder.....	27

Copyright, U. S. A., 1938, 1939, 1940, 1941 and 1942

by The Singer Manufacturing Co.

All Rights Reserved for all Countries

# INSTRUCTIONS FOR ORDERING

In ordering from this list, use ONLY the part NUMBER in the FIRST column.

The number stamped on a Sewing Machine Part is in every case the number of the single part only.

Every combination of parts sent out as such has its specific number, which, although not stamped on the parts, must be used when ordering the combination.

Each number always indicates the SAME PART in whatever list it appears, or for whatever machine.

The letters after some of the numbers indicate the style of finish only, as follows:

- A-Hardened, Polished, Nickel Plated and Buffed
- A.A-Buffed and Chromium Plated
- A.B-Hardened, Polished, Buffed and Chromium Plated
- A.C-Brown Baking Enamel Finish
- A.D-Gray Baking Enamel Finish
- A.E-Hardened, Bright Rumbled and Nickel Plated
- A.F-Hardened, Bright Rumbled, Nickel Plated, Bright Rumbled and Chromium Plated
- A.G-Alumilite, Plain
- A.H-Alumilite, Dyed
- A.J-Polished, Nickel Plated and Chromium Plated
- A.K-Hardened, Polished, Nickel Plated and Chromium Plated
- A.L-Heat Treated for Toughness
  - B-Polished, Nickel Plated and Buffed
  - C-Hardened Only
- C.R-Hardened and Merlized
  - D-Polished Only
  - E-Soft, Not Polished
  - F-Hardened and Polished
- F.J-Hardened, Polished and Nickel Plated
- G-Bright Rumbled and Nickel Plated
- H-Blued
- J-Nickel Plated Only
- K-Hardened and Nickel Plated
- L-Brass Plated
- M-Oxidized
- N-Japanned, Dull
- P-Japanned, Bright
- P.P-Wrinkle Finish
- R-Merlized
- S-Cadmium Plated
- T-Copper Plated
- T.A-Hardened, Polished, Copper and Nickel Plated and Buffed
- T.B-Copper and Nickel Plated and Polished
- T.J-Copper and Nickel Plated Only
- T.K-Hardened, Copper and Nickel Plated
- T.L-Copper and Brass Plated
- T.M-Copper Plated and Oxidized

# INSTRUCTIONS FOR ORDERING - Continued

- U-Zinc Plated
- V-Silver Plated
- W-Polished and Nickel Plated
- X-Black Oxide, for Iron and Steel
- X.C-Hardened and Black Oxide, for Iron or Steel
- Y-Black Nickel Plated Only
- Z-Chromium Plated
- Z.A-Hardened, Polished, Nickel Plated, Buffed and Chromium Plated
- Z.B-Polished, Nickel Plated, Buffed and Chromium Plated
- Z.C-Hardened and Chromium Plated
- Z.D-Polished and Chromium Plated
- Z.G-Bright Rumbled, Nickel Plated, Bright Rumbled and Chromium Plated
- Z.J-Nickel and Chromium Plated
- Z.T-Copper and Chromium Plated

These letters MUST BE USED when they appear in the list; and AFTER the number as in the list.

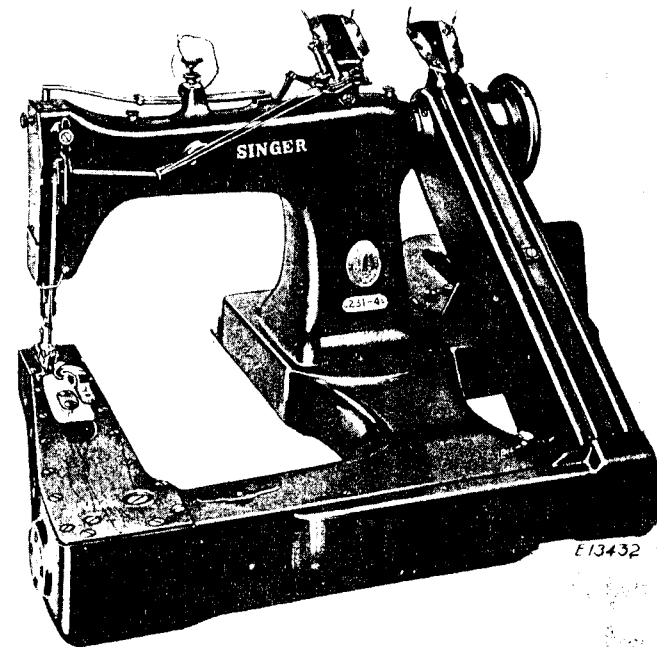
In this series:

- 1 to 1500, 50001 to 51500 and 140001 to 142000 are Screw Numbers
- 1501 to 1800 and 51501 to 51800 are Nut Numbers
- 1801 to 2000 and 51801 to 52000 are Roller Numbers
- 2001 to 50000 and 52001 to 140000 and 142001 to 190000 are Sewing Machine Parts, 190001 and upward are numbers of Electrical Parts.

The figures in the second column refer only to the plates, illustrating the parts, and are NOT TO BE USED in ordering.

Parts marked with an asterisk (\*) are furnished only when repairs are made at factory.

FOR



## MACHINE No. 231-4

For Lap Seam Felling Men's and Boys' Shirts, Pajamas, etc., of light and medium weight materials. Two needles, two loopers. Feed off the arm two-thread chain-stitch. Range of gauges  $\frac{3}{32}$  inch to  $\frac{3}{8}$  inch, in steps of  $\frac{1}{32}$  inch. The standard gauges are  $\frac{1}{8}$  inch,  $\frac{5}{32}$  inch,  $\frac{3}{16}$  inch and  $\frac{1}{4}$  inch. Gauges in the range but not standard, can be furnished if required. Drop feed. Arm and bed rotary shafts are equipped with ball bearings and are driven by an endless belt. An oiling system automatically oils all of the principal bearings and moving parts of the feed and looper mechanism. Needle bar stroke  $1\frac{1}{16}$  inches. Length of stitch 8 to 22 to the inch. Speed 4000 R. P. M.

No.	Plate	Name
*139001	-----	Arm with 15404 and two 15405.....
8582	23125	Arm Dowel Pin (2).....
50608R	23124	Arm Hole Plug Screw (for access to Arm Rotary Shaft Crank Set Screw)
139002	23124	Arm Rotary Shaft.....
139225	-----	" " " 139002 with 139226..
150483	23124	" " " Ball Bearing (back).
139003	23124	" " " " " "
		Case.....

No.	Plate	Name
139004	23124	Arm Rotary Shaft Ball Bearing (back) Case Nut.....
50422C	23124	Arm Rotary Shaft Ball Bearing (back) Case Set Screw.....
68350	23124	Arm Rotary Shaft Ball Bearing (back) Oil Cup.....
131319	23124	Arm Rotary Shaft Ball Bearing (back) Oil Cup Oil Pad (braided cotton).
139005	23124	Arm Rotary Shaft Ball Bearing (back) Spacing Collar.....
139006	23124	Arm Rotary Shaft Ball Bearing (front)
68350	23124	" " " " " " " Oil Cup.....
131319	23124	Arm Rotary Shaft Ball Bearing (front) Oil Cup Oil Pad (braided cotton).
139007	23124	Arm Rotary Shaft Ball Bearing (front) Oil Retainer (back).....
139008	23124	Arm Rotary Shaft Ball Bearing (front) Oil Retainer (front).....
139009	23124	Arm Rotary Shaft Crank with two each 1036AL and 1149AL.....
139226	-----	Arm Rotary Shaft Crank 139009 with 139103.....
1149AL	23124	Arm Rotary Shaft Crank Set Screw (2).
51185F	23124	" " " Screw.....
139010	23125	" " " Sprocket Wheel with two each 201254C and 202253.....
201254C	23125	Arm Rotary Shaft Sprocket Wheel Set Screw (2).....
202253	23125	Arm Rotary Shaft Sprocket Wheel Spring Flange (2).....
116E	23125	Arm Screw (3).....
139011	23125	Balance Wheel, 2 in. pulley, with two 51283AL.....
51283AL	23125	Balance Wheel Set Screw.....
*139249	-----	Bed.....
139251	23097	Bed Cover with 139253 and two 50411E.
139252	23097	Bed Cover Gasket (cork).....
139253	23097	" " " Clamping Plate.....
50411E	23097	" " " " Screw (2).....
50608R	23097	Bed Cover Hole Plug Screw.....
139017	23097	" " " " " Washer.....
50004C	23097	" " Screw (14).....
139476	23122	" Extension.....
783E	23122	" " Screw (2).....
50608R	23124	" Oil Drain Plug Screw.....
139017	23124	" " " " " Washer.....
139022	23097	" " Gauge.....
139025	23124	" Rotary Shaft.....
139026	23124	" " " Ball Bearing (inter- mediate).....
139028	23124	Bed Rotary Shaft Ball Bearing (inter- mediate) Sleeve with two 462AL...
462AL	23124	Bed Rotary Shaft Ball Bearing (inter- mediate) Sleeve Set Screw (2)....

No.	Plate	Name
132231	23124	Bed Rotary Shaft Ball Bearing (left).
139030	23124	" " " " " " " Cover.....
139031	23124	Bed Rotary Shaft Ball Bearing (left) Cover Gasket.....
202R	23124	Bed Rotary Shaft Ball Bearing (left) Cover Screw (4).....
150483	23124	Bed Rotary Shaft Ball Bearing (right)
139032	23124	" " " " " " " Case.....
139004	23124	Bed Rotary Shaft Ball Bearing (right) Case Nut.....
50422C	23124	Bed Rotary Shaft Ball Bearing (right) Case Set Screw.....
68350	23124	Bed Rotary Shaft Ball Bearing (right) Oil Cup.....
131319	23124	Bed Rotary Shaft Ball Bearing (right) Oil Cup Oil Pad (braided cotton).
139033	23124	Bed Rotary Shaft Ball Bearing (right) Spacing Collar.....
249311	23125	Bed Rotary Shaft Belt.....
139034	23111	" " " " " Guard with two 200363C.....
139035	23111	Bed Rotary Shaft Belt Guard Cover....
139036	23111	" " " " " " " 139035 with 139037.....
139037	23111	Bed Rotary Shaft Belt Guard Cover Gasket (cork).....
200092F	23111	Bed Rotary Shaft Belt Guard Cover Screw (2).....
200363C	23111	Bed Rotary Shaft Belt Guard Set Screw (2).....
1480D	23124	Bed Rotary Shaft Screw (left).....
50040D	23124	" " " " " (right).....
139038	23125	" " " Sprocket Wheel with 202253 and two 201254C.....
201254C	23125	Bed Rotary Shaft Sprocket Wheel Set Screw (2).....
202253	23125	Bed Rotary Shaft Sprocket Wheel Spring Flange.....
139039	23126	Face Plate (lower half).....
139040	23126	" " " " " Gasket (cork).
391J	23126	" " " " " Screw (3).....
139041	23126	" " (upper half).....
29234	23126	" " " " " Position Plate
1053E	23126	" " " " " " " Screw.....
51224W	23126	Face Plate (upper half) Thumb Screw..
139043	23127	Feed Bar.....
139256	23127	Feed Bar Hinge Pin (eccentric).....
443AL	23127	" " " " " Set Screw.....
1520J	23127	" " " " " " Lock Nut.
139046	23127	" " " " " Slide Block.....
139350	23128	Feed Dog, 21 teeth (16 teeth to the inch) for 3/32 in. gauge, for 139351.....

No.	Plate	Name
139234	23128	Feed Dog, with row of teeth between needles, 18 teeth (14 teeth to the inch) for 5/32 in. gauge, for 139236.....
139047	23128	Feed Dog, 21 teeth (16 teeth to the inch) for 1/8 in. and 5/32 in. gauges, for 139184.....
139240	23128	Feed Dog, 19 teeth (14 teeth to the inch) for 1/8 in. and 5/32 in. gauges, for 139184.....
139192	23129	Feed Dog, 21 teeth (16 teeth to the inch) for 3/16 in. gauge, for 139193.....
139194	23129	Feed Dog, 19 teeth (14 teeth to the inch) for 3/16 in. gauge, for 139193.....
139353	23129	Feed Dog, with row of teeth between needles, 17 teeth (12 teeth to the inch) for 3/16 in. to 1/4 in. gauges, for 139355.....
139354	23129	Feed Dog, with row of teeth between needles, 19 teeth (14 teeth to the inch) for 3/16 in. to 1/4 in. gauges, for 139355.....
139049	23130	Feed Dog, 19 teeth (14 teeth to the inch) for 1/4 in. to 3/8 in. gauges, for 139186.....
Note: When ordering Feed Dogs, state gauge required.		
1255E	23128	Feed Dog Screw.....
*139050	-----	Feed Eccentric.....
*139051	-----	" " Body.....
51061AL	23127	" " Set Screw (2)....
7071	23127	" " Clamping Washer.....
217J	23127	" " " " Screw.
139052	23127	Feed Eccentric (adjustable) complete, Nos. 217J, 7071, 50328C, 139050, 139051 and two 51061AL.....
139053	23127	Feed Eccentric Slide Block.....
139054	23127	Feed Lifting Eccentric Forked Connection.....
157J	23127	Feed Lifting Eccentric Forked Connection Screw (2).....
139055	23127	Feed Lifting Eccentric Forked Connection Slide Block.....
50328C	23127	Feed Regulating Screw.....
139056	23128	Looper (back).....
Note: When ordering Loopers, state gauge required.		
139057	23128	Looper (front).....
139058	23127	Looper Avoiding Eccentric with two 50150AL.....
139059	23127	Looper Avoiding Eccentric Forked Connection.....
139060	23127	Looper Avoiding Eccentric Forked Connection Bracket with 456C.....

No.	Plate	Name
122F	23127	Looper Avoiding Eccentric Forked Connection Bracket Screw (2).....
139257	23127	Looper Avoiding Eccentric Forked Connection Crank (forked) with 1324C
1324C	23127	Looper Avoiding Eccentric Forked Connection Crank Clamping Screw.....
139055	23127	Looper Avoiding Eccentric Forked Connection Slide Block.....
50150AL	23127	Looper Avoiding Eccentric Set Screw (2).....
51485E	23127	Looper Clamping Screw.....
139062	23127	" Driving Arm with 1047AL.....
139063	-----	" " " 139062 with 139066 and 139070.....
139064	23127	Looper Driving Arm Connecting Link...
139065	23127	" " " " "
		Hinge Pin (2).....
1047AL	23127	Looper Driving Arm Connecting Link Hinge Pin Set Screw (2).....
139066	23127	Looper Driving Arm Connection with four 175E.....
175E	23127	Looper Driving Arm Connection Cap Screw (4).....
139069	23127	Looper Driving Arm Connection Crank with 1057AL.....
139070	23127	Looper Driving Arm Connection Crank Ball Screw Stud.....
1520J	23127	Looper Driving Arm Connection Crank Ball Screw Stud Nut.....
128551	23127	Looper Driving Arm Connection Crank Ball Screw Stud Nut Lock Washer..
1057AL	23127	Looper Driving Arm Connection Crank Clamping Screw.....
139352	23127	Looper Driving Arm Hinge Stud.....
443AL	23127	" " " " " Set Screw.....
139072	23127	Looper Eccentric and Feed Lifting Eccentric with two 1259AL.....
1259AL	23127	Looper Eccentric and Feed Lifting Eccentric Set Screw (2).....
139073	23127	Looper Eccentric Connection with 1047AL.....
139074	23127	Looper Eccentric Connection Slide Block.....
139075	23127	Looper Eccentric Connection Slide Block Screw Stud.....
139076	23127	Looper Eccentric Connection Slide Block Screw Stud Collar with two 1253AL.....
1253AL	23127	Looper Eccentric Connection Slide Block Screw Stud Collar Set Screw (2).....
456C	23127	Looper Eccentric Connection Slide Block Screw Stud Set Screw.....

No.	Plate	Name
139411	23127	Looper Eccentric Connection Slide Block Screw Stud Washer (leather)
139260	23128	Looper Gate (left) for Throat Plates 21/32 in. wide.....
139262	23129	Looper Gate (left) for Throat Plates 3/4 in. wide.....
139264	23097	Looper Gate (left) for Throat Plates 7/8 in. wide.....
139267	23128	Looper Gate (right) for Throat Plates 21/32 in. wide.....
139269	23129	Looper Gate (right) for Throat Plates 3/4 in. wide.....
139271	23097	Looper Gate (right) for Throat Plates 7/8 in. wide.....
139272	23097	Looper Gate Retaining Spring.....
190J	23097	" " " " Screw...
139093	23127	" Holder with 172E, 26276 and 51485AL.....
172E	23127	Looper Holder Clamping Screw.....
139094	23127	" " Shaft.....
139095	23127	" " " Bushing (back)...
435AL	23127	" " " " " Set Screw.....
139096	23127	Looper Holder Shaft Bushing (front).. 435AL 23127 " " " " "
		Set Screw
139097	23127	Looper Holder Shaft Collar with 1454E
1454E	23127	" " " " Clamping Screw.....
26276	23127	Looper Position Pin.....
139273	23131	" Thread Guide.....
206J	23131	" " " Screw.....
139099	23131	Needle Bar (hollow).....
139100	-----	Needle Bar complete, Nos. 139099 and 139116.....
139101	23131	Needle Bar Bushing (lower).....
1133E	23131	" " " " Set Screw..
139102	23131	" " Connecting Link.....
139103	-----	" " " " 139102 with 139105 and 139108.....
139105	23124	Needle Bar Connecting Link Hinge Stud
139239	23124	" " " " " "
		Oil Pad (braided cotton).....
1036AL	23124	Needle Bar Connecting Link Hinge Stud Set Screw (2).....
139229	23131	Needle Bar Connecting Link Spacing Washer, thicknesses .004", .008" and .012".....

Note: When ordering No. 139229, state thickness required.

139108	23131	Needle Bar Connecting Stud with 175E.
175E	23131	" " " " Clamping Screw.....
139110	23131	Needle Bar Connecting Stud Oil Pad (wick).....

No.	Plate	Name
139111	23131	Needle Bar Connecting Stud Slide Block.....
139112	23131	Needle Bar Connecting Stud Slide Block Guide.....
1057AL	23131	Needle Bar Connecting Stud Slide Block Guide Screw (2).....
59456	23131	Needle Bar Connecting Stud Slide Block Guide Screw Washer (2).....
139113	23131	Needle Bar Guide.....
52146	23131	" " " Oil Pad (inside) (braided cotton).....
139114	23131	Needle Bar Guide Oil Pad (outside) felt.....
1133E	23131	Needle Bar Guide Set Screw.....
139115	23131	Needle Bar Thread Guide.....
330W	23131	" " " " Screw.....
59019	23131	" " " " " Washer..
139116	23131	" Clamp with two 1498F.....
139117	23128	" Guard, for 3/32 in. to 3/16 in. gauges.....
139118	23129	Needle Guard, for 7/32 in. to 9/32 in. gauges.....
139119	23130	Needle Guard, for 5/16 in. gauge.....
139195	23130	Needle Guard, for 3/8 in. gauge.....
		Note: When ordering Needle Guards, state gauge required.
139120	23131	Needle Guard Holder.....
453AL	23131	" " " Set Screw.....
1167E	23131	" " Screw.....
1498F	23131	" Set Screw (2).....
139121	23125	Oil Cup Body.....
139122	23125	" " " Cap (transparent).....
139123	23125	" " " Gasket (cork).....
139124	23125	" " " Retainer.....
131C	23125	" " " " Screw (4).. 50617B 23125 " " " Oil Plug Screw.....
139125	23125	" " " " " Washer... 139126 23125 Oil Cup complete, for oiling Needle Bar Connecting Link, Nos. 50617B, 139121 to 139125 and four 131C...
139127	23125	Oil Cup Gasket (soft leather).....
139128	23131	Presser Bar.....
139129	23131	" " Bushing (lower).....
1133E	23131	" " " " Set Screw.
38456	23131	" " " (upper).....
1133E	23131	" " " " Set Screw.
139130	23131	" " Lifting Bracket with 1057AL.....
1057AL	23131	Presser Bar Lifting Bracket Clamping Screw.....
139131	23118	Presser Bar Lifting Bracket Lifter...
807D	23118	" " " " " "
		Hinge Screw.....
139132	23118	Presser Bar Lifting Lever.....
802D	23118	" " " " Hinge Screw

No.	Plate	Name
139133	23118	Presser Bar Lifting Lever Spring.....
38467	23131	" " Spring (flat).....
131198	23131	" " " (auxiliary).....
38468	23131	" " " Stud.....
139134	23128	Presser Foot Plate (back).....
26276	23128	" " " " Hinge Pin..
139135	23128	" " " (front).....
26276	23128	" " " " Hinge Pin..
139136	23128	" " " Connection.....
26276	23128	" " " " Hinge Pin.....
37160	23128	Presser Foot Plate Connection Spring.
139137	23128	" " Shank.....
139138	23128	Presser Foot (triple hinged) complete, Nos. 37160, 139134 to 139137 and three 26276.....
139368	23128	Presser Foot Knife.....
239J	23128	" " " Screw (2).....
139369	23128	" " Plate (back).....
26276	23128	" " " " Hinge Pin..
139135	23128	" " " (front).....
26276	23128	" " " " Hinge Pin..
139370	23128	" " " Connection.....
26276	23128	" " " " Hinge Pin.....
37160	23128	Presser Foot Plate Connection Spring.
139137	23128	" " Shank.....
139371	23128	Presser Foot (triple hinged) with Knife complete, Nos. 37160, 139135, 139137, 139368 to 139370, two 239J and three 26276.....
190J	23131	Presser Foot Screw.....
574W	23131	Pressure Regulating Thumb Screw.....
1539W	23131	" " " " Lock Nut.....
139275	23118	Tension (looper thread) Body and Thread Guide with 42727.....
430C	23118	Tension (looper thread) Body Set Screw.....
51486C	23118	Tension (looper thread) Regulating Screw.....
1423J	23118	Tension (looper thread) Regulating Screw Cap Screw.....
139140	23118	Tension (looper thread) Regulating Screw Nut with 42639.....
42639	23118	Tension (looper thread) Regulating Screw Nut Position Pin.....
59534	23118	Tension (looper thread) Spring.....
139276	23118	" " " Tension Plate (3).....
42727	23118	Tension (looper thread) Tension Plate Position Pin.....
139278	23118	Tension (looper thread) complete, Nos. 1423J, 51486C, 59534, 139140, 139275 and three 139276.....

No.	Plate	Name
54070	23118	Tension (needle thread) Bracket.....
376J	23118	" " " " Screw.
2102	23118	" " " Disc (4).....
51570C	23118	" " " Regulating Thumb Nut (2).....
32572	23118	Tension (needle thread) Releasing Disc (2).....
54988	23118	Tension (needle thread) Releasing Pin (2).....
54071	23118	Tension (needle thread) Releasing Shaft.....
54872	23118	Tension (needle thread) Releasing Shaft Crank with 624AL.....
139143	23118	Tension (needle thread) Releasing Shaft Crank Connecting Link.....
110C	23118	Tension (needle thread) Releasing Shaft Crank Connecting Link Hinge Screw (2).....
624AL	23118	Tension (needle thread) Releasing Shaft Crank Set Screw.....
316C	23118	Tension (needle thread) Releasing Shaft Stop Screw.....
1547J	23118	Tension (needle thread) Releasing Shaft Stop Screw Nut.....
50326C	23118	Tension (needle thread) Screw Stud (2).....
59539	-----	Tension (needle thread) Screw Stud 50326C with 51570C (2).....
131741	23118	Tension (needle thread) Spring (2)...
59537	23118	" " " " Bush- ing (large) (2).....
59538	23118	Tension (needle thread) Spring Bush- ing (small) (2).....
131696	23118	Tension (needle thread) Thread Guide (double) (2).....
139144	23124	Thread (looper) Take-up with two 1266AL.....
139145	23132	Thread (looper) Take-up Cover.....
139146	23132	Thread (looper) Take-up Cover Hinge Pin.....
139147	23132	Thread (looper) Take-up Cover Lock Spring.....
51282J	23132	Thread (looper) Take-up Cover Lock Spring Screw.....
1250AL	23124	Thread (looper) Take-up Cover Posi- tion Screw Stud.....
1266AL	23124	Thread (looper) Take-up Set Screw (2)
139148	23132	" " " " Stripper.....
139149	23132	" " " " Plate
139279	23132	" " " " " Bracket.....
139280	23132	Thread (looper) Take-up Stripper Plate Bracket 139279 with 219J, 237J, 240J, 7071, 51282J, 139145 to 139149, 139152 to 139157 and two each 203J, 207J, 665J and 17022..





No.	Plate	Name
139181	23131	Thread Cutter (knife).....
139182	23131	" " Thread Guide (inside)..
139183	23131	" " " " (outside).
50318W	23131	" " Screw (2).....
139351	23128	Throat Plate, for 3/32 in. gauge, for 139350.....
139184	23128	Throat Plate, for 1/8 in. and 5/32 in. gauges, for 139047 and 139240
139193	23129	Throat Plate, for 3/16 in. gauge, for 139192 and 139194.....
139355	23129	Throat Plate, for 3/16 in. to 1/4 in. gauges, for No. 18 Needle, for 139353 and 139354.....
139186	23130	Throat Plate, for 1/4 in. to 3/8 in. gauges, for 139049.....
139236	23128	Throat Plate, for 5/32 in. gauge, for No. 16 Needle, for 139234.....
Note: When ordering Throat Plates, state gauge required.		
691F	23128	Throat Plate Screw (3).....
*15404	-----	Trade Mark.....
15405	-----	" " Rivet (2).....

Genuine Singer Needles should be used  
in Singer Machines.  
These Needles and their Containers  
are marked with the  
Company's Trade Mark "SIMANCO." 1

Needles in Containers marked  
"For Singer Machines"  
are not Singer made needles. 2

## MACHINE No. 231-5

For Lap Seam Felling Men's and Boys' Shirts, Pajamas, etc., of light and medium weight materials. Two needles, two loopers. Feed off the arm two-thread chain-stitch. Range of gauges  $\frac{3}{32}$  inch to  $\frac{3}{8}$  inch, in steps of  $\frac{1}{32}$  inch. The standard gauges are  $\frac{1}{8}$  inch,  $\frac{5}{32}$  inch,  $\frac{3}{16}$  inch and  $\frac{1}{4}$  inch. Gauges in the range but not standard, can be furnished if required. Drop feed. Arm and bed rotary shafts are equipped with ball bearings and are driven by an endless belt. An oiling system automatically oils all of the principal bearings and moving parts of the feed and looper mechanism. Needle bar stroke  $1\frac{1}{16}$  inches. Length of stitch 8 to 22 to the inch. Speed 4000 R. P. M.

NOTE: THIS MACHINE IS THE SAME AS THE 231-4 MACHINE,  
WITH THE FOLLOWING EXCEPTIONS:

No.	Plate	Name
139241	23133	Feed Dog, 21 teeth (16 teeth to the inch) for 1/8 in. and 5/32 in. gauges, for 139246, in place of 139047.....
139248	23133	Feed Dog, 18 teeth (14 teeth to the inch) for 1/8 in. and 5/32 in. gauges, for 139246, in place of 139047.....
139357	23133	Feed Dog, 19 teeth (14 teeth to the inch) for 3/16 in. gauge, for 139359.....
139363	23134	Feed Dog, 17 teeth (12 teeth to the inch) for 3/16 in. to 3/8 in. gauges, for 139365.....
139364	23134	Feed Dog, 19 teeth (14 teeth to the inch) for 3/16 in. to 3/8 in. gauges, for 139365.....
139386	23134	Feed Dog, with row of teeth between needles, 18 teeth (14 teeth to the inch) for 5/32 in. gauge, for 139387.....

Note: When ordering Feed Dogs, state gauge re-  
quired.

139242	23133	Needle Guard, for 3/32 in. to 3/16 in. gauges, in place of 139117...
139356	23134	Needle Guard, for 7/32 in. to 9/32 in. gauges, in place of 139118...

No.	Plate	Name
139361	23134	Needle Guard, for 5/16 in. gauge, in place of 139119.....
139362	23134	Needle Guard, for 3/8 in. gauge, in place of 139195.....
Note: When ordering Needle Guards, state gauge required.		
139243	23133	Presser Foot Plate (front).....
139244	23133	" " " Connection.....
139245	23133	Presser Foot (triple hinged) complete, Nos. 37160, 139134, 139137, 139243, 139244 and three 26276, in place of 139138.....
139246	23133	Throat Plate, for 1/8 in. and 5/32 in. gauges, for 139241 and 139248, in place of 139184.....
139359	23133	Throat Plate, for 3/16 in. gauge, for 139357.....
139365	23134	Throat Plate, for 3/16 in. to 3/8 in. gauges, for 139363 and 139364....
139387	23134	Throat Plate, for 5/32 in. gauge, for 139386, for No. 16 Needle.....
Note: When ordering Throat Plates, state gauge required.		

Genuine Singer Needles should be used in Singer Machines. These Needles and their Containers are marked with the Company's Trade Mark "SIMANCO." 1

Needles in Containers marked "For Singer Machines" are not Singer made needles. 2

## ACCESSORIES

No.	Plate	Name
120344	23086	Oiler (copper plated) with 120345....
120345	23086	" Spout, 4 1/2 in. long.....
120440	23086	Screw Driver (large).....
121108	23086	" " (small).....
120341	23086	Tweezers (curved).....
23535	23086	Wrench.....

## BELT GUARDS

No.	Plate	Name
139477	23122	Belt Guard with two 146R, for use with Bed Extension No. 139476, for all applications except for oblique mounting of the Machine on Singer Universal Safety Power Tables.....
139481	23122	Belt Guard with two wood screws 3/4 in. No. 9 R.H., for use with Bed Extension No. 139476, for use on Singer Universal Safety Power Tables when Machine is set at an oblique angle.....
152004	23122	Belt Guard with two wood screws 1 in. No. 10 R.H. for Series S 39, S 49, S 59 and S 69 Electric Transmitters, for Stand No. 46976, for use with Bed Extension No. 139337
146R	23122	Belt Guard Screw, for 139477 (2).....

## FOOT LIFTER AND STARTING TREADLE PARTS

FOR INDIVIDUAL MOTORS

No.	Plate	Name
6439	23123	Foot Lifter Chain, 36 in. to 45 in., with 56864 and 56865.....
Note: When ordering No. 6439, state length required.		
4879	23123	Foot Lifter Chain Connecting Link....
56864	23123	" " " Hook (large).....
56865	23123	" " " " (small).....
150212	23123	" " Treadle.....
150487	23123	Starting Treadle with two 140215C....
140215C	23123	" " Set Screw (2).....

No.	Plate	Name
150488	23123	Starting Treadle Shaft.....
150489	23123	" " " Arm with two 140215C.....
140215C	23123	Starting Treadle Shaft Arm Set Screw (2).....
46681	-----	Starting Treadle Shaft Bracket (2)...
60502	23123	" " " " 46681 with two wood screws 1 in. No. 14 F.H. (2).....
150216	23123	Starting Treadle Shaft Collar with two 445C.....
445C	23123	Starting Treadle Shaft Collar Set Screw (2).....
150490	23123	Starting Treadle Spacing Collar.....
150491	-----	Starting and Foot Lifter Treadle com- plete, Nos.4879,6439,150212, 150216, 150487 to 150490 and two 60502.....

## FOOT LIFTER AND STARTING

## TREADLE PARTS

FOR UNIVERSAL SAFETY POWER TABLE

No.	Plate	Name
27639	23123	Treadle Pitman Rod (lower).....
69337	23123	" " " (upper).....
2762	23123	" " " " Collar with 362C (2).....
362C	23123	Treadle Pitman Rod (upper) Collar Set Screw (2).....
150208	23123	Treadle Pitman Rod (upper) Spring....
23250	23123	" " " " " " Washer.....
80223	23123	Treadle Pitman Rod Clamp with 361C...
361C	23123	" " " " Screw.....
69338	23123	Treadle Pitman complete, Nos. 23250, 27639, 69337, 80223, 150208 and two 2762.....
150497	23123	Starting and Foot Lifter Treadle with Pitman complete Nos. 69338 and 150491.....

FOOT LIFTER AND STARTING  
TREADLE PARTS

FOR LOW SHAFT POWER TABLE

FOR UNDER DRIVER NO. 150499

No.	Plate	Name
27639	23089	Treadle Pitman Rod (2).....
80223	23089	" " " Clamp with 361C...
361C	23089	" " " " Set Screw...
60626	23089	Treadle Pitman Rod complete, Nos. 80223 and two 27639.....
150498	23089	Starting and Foot Lifter Treadle with Pitman complete, Nos. 60626 and 150491.....

## FRONT PLANKS

No.	Plate	Name
135060	-----	Front Plank, 1 5/8 in. thick, 19 in. wide, 46 1/2 in. long, for Series 1500, 1900 and 2900 Electric Transmitters, for Universal Elec- tric Transmitter Tables.....
135061	-----	Front Plank, 1 5/8 in. thick, 19 in. wide, 48 in. long, for Series 1500, 1900 and 2900 Electric Transmitters, for Electric Trans- mitter Tables (cast iron legs)...
135062	-----	Front Plank, 1 5/8 in. thick, 19 in. wide, 46 1/2 in. long, for Series 1700 Electric Transmitters, for Universal Electric Transmitter Tables.....
135063	-----	Front Plank, 1 5/8 in. thick, 19 in. wide, 48 in. long, for Series 1700 Electric Transmitters, for Electric Transmitter Tables (cast iron legs).....
135064	-----	Front Plank, 1 5/8 in. thick, 19 in. wide, 46 1/2 in. long, for Series S 39, S 49, S 59 and S 69 Elec- tric Transmitters, for Electric Transmitter Tables.....
135065	-----	Front Plank, 1 5/8 in. thick, 19 in. wide 48 in. long, for Series S 39, S 49, S 59 and S 69 Electric Transmitters, for Electric Trans- mitter Tables (cast iron legs)...
135098	-----	Front Plank, 1 5/8 in. thick, 19 in. wide, 46 1/2 in. long, for Uni- versal Safety Power Table.....

No.	Plate	Name
135068	-----	Front Plank, 1 5/8 in. thick, 19 in. wide, 46 1/2 in. long, for Universal Low Shaft Power Table.....
135069	-----	Front Plank, 1 5/8 in. thick, 19 in. wide, 48 in. long, for Old Style Low Shaft Power Table.....
135196	-----	Front Plank, 1 5/8 in. thick, 19 in. wide, 46 1/2 in. long, for Series S 79 and S 89 Electric Transmitters, for Universal Electric Transmitter Tables.....
135250	-----	Front Plank 1 5/8 in. thick, 19 in. wide, 48 in. long, for Series S 79 and S 89 Electric Transmitters, for Electric Transmitter Tables (cast iron legs).....

## IDLERS

## IDLER

(ADJACENT TO BALANCE WHEEL)

No.	Plate	Name
150480	23090	Bracket with 1448AL.....
150481	23090	Pulley.....
150482	23090	" Shaft.....
150483	23090	" " Ball Bearing.....
150484	23090	" " " " Cover.....
150485	23090	" " " " " Gasket (cork).....
330R	23090	Pulley Shaft Ball Bearing Cover Screw (4).....
144D	23090	Pulley Shaft Cap Screw.....
130328	23090	" " Oil Cup.....
1448AL	23090	" " Set Screw.....
150496	23090	Pulley and Shaft complete, Nos. 144D, 150481 to 150485 and four 330R...
150486	23090	Idler complete, Nos. 130328, 150480, 150496 and two 51183R.....
51183R	23090	Idler Screw (2).....

## IDLER

FOR UNDER THE TABLE

FOR SINGER UNIVERSAL SAFETY POWER TABLE

No.	Plate	Name
150528	23090	Idler Base with 356C.....
150481	23090	" Pulley (2).....

No.	Plate	Name
150482	23090	Idler Pulley Shaft (2).....
150483	23090	" " " " Ball Bearing (2)..
150484	23090	" " " " " Cover (2).....
150485	23090	Idler Pulley Shaft Ball Bearing Cover Gasket (cork) (2).....
330R	23090	Idler Pulley Shaft Ball Bearing Cover Screw (8).....
150529	23090	Idler Pulley Shaft Bracket (lower) with 168C and 692C.....
692C	23090	Idler Pulley Shaft Bracket (lower) Clamping Screw.....
150530	23090	Idler Pulley Shaft Bracket (upper) with 168C and 692C.....
692C	23090	Idler Pulley Shaft Bracket (upper) Clamping Screw.....
150531	23090	Idler Pulley Shaft Bracket Shaft.....
356C	23090	" " " " " Set Screw.....
144D	23090	Idler Pulley Shaft Cap Screw (2).....
168C	23090	" " " " Set Screw (2).....
150496	23090	Idler Pulley and Shaft complete, Nos. 144D, 150481 to 150485 and four 330R (2).....
150532	23090	Idler complete, Nos. 150528 to 150531, two 150496 and three wood screws 1 1/4 in. No. 12 F.H.....
150533	23090	Idler Guard with two wood screws 3/4 in. No. 9 R.H., for 150532.....

## LAP SEAM FELLER

No.	Plate	Name
121586	23132	Lap Seam Feller on Shank.....
121449	23132	" " " Clamping Plate.....
1443B	23132	" " " Screw (2).....
139189	23132	" " " Slide.....

## MACHINE CUSHIONS

No.	Plate	Name
139190	23086	Machine Cushion (round rubber) (2)...
139191	23086	" Mounting Cushion (molded rubber) (2).....
51069R	23086	Machine Mounting Cushion Bolt with 51581R (2).....
51581R	23086	Machine Mounting Cushion Bolt Nut (2)
2807	23086	" " " " " Washer (2).....
146R	23086	Machine Screw, for mounting machine to table (2).....

## POWER TABLE ACCESSORIES

No.	Plate	Name
150862	-----	Power Table Accessories, for all styles of Electric Transmitter Power Tables, Nos. 139477, 150486 and 150491.....
150867	-----	Power Table Accessories, for Universal Safety Power Tables, Nos. 139481 and 150497.....
150863	-----	Power Table Accessories, for Universal Low Shaft Power Tables, Nos. 139477 and 150486.....

## THREAD UNWINDER NO. 150370

FOR FOUR CONES

No.	Plate	Name
150364	23092	Base with two 437C.....
150365	23092	Rod.....
437C	23092	" Set Screw (2).....
150366	23092	Thread Cone Holder (4).....
164J	23092	" " " Screw (4).....
19020	23092	" " " Washer (4).....
150367	23092	" " " Support.....
51082R	23092	" " " Screw with 51581R.....
51581R	-----	Thread Cone Holder Support Screw Nut.
150368	23092	" " Steady Wire (4).....
150369	23092	" Guide.....
178J	23092	" " Screw.....
150370	23092	Thread Unwinder complete, for inverted cones, Nos. 178J, 51082R, 150364, 150365, 150367, 150369, three wood screws 1 1/2 in. No. 16 F.H. and four each 164J, 19020, 150366 and 150368.....

## THREAD UNWINDER SPOOL RESTS

FOR USE WHEN SPOOLS ARE USED

IN PLACE OF CONES OF THREAD

FOR USE WITH THREAD UNWINDER NO. 150370

No.	Plate	Name
150647	23092	Spool Rest with 178J (4).....
150203	23092	" " Cushion (felt) (4).....
150649	23092	" " Rod.....

No.	Plate	Name
178J	23092	Spool Rest Rod Set Screw.....
178J	23092	" " Set Screw (4).....
150662	23092	Spool Rests complete (for four spools) Nos. 178J, 150649 and four each 150203 and 150647.....

## THREAD UNWINDER NO. 150695

FOR FOUR SPOOLS

No.	Plate	Name
150364	23135	Base with two 437C.....
150653	23135	Rod.....
437C	23135	" Set Screw (2).....
150647	23135	Spool Rest with 178J (4).....
150203	23135	" " Cushion (felt) (4).....
150649	23135	" " Rod.....
178J	23135	" " Set Screw.....
178J	23135	" " Set Screw (4).....
150369	23135	Thread Guide.....
178J	23135	" " Screw.....
150695	23135	Thread Unwinder complete, Nos. 150364, 150369, 150649, 150653, two 178J, three wood screws 1 1/2 in. No. 16 F.H. and four each 150203 and 150647.....

## THREAD UNWINDER THREAD CONE HOLDER

FOR USE WHEN CONES ARE USED

IN PLACE OF SPOOLS OF THREAD

FOR USE WITH THREAD UNWINDER NO. 150695

No.	Plate	Name
150366	23135	Thread Cone Holder (4).....
164J	23135	" " " Screw (4).....
19020	23135	" " " Washer (4).....
150367	23135	" " " Support.....
51082R	23135	" " " Screw with 51581R.....
51581R	-----	Thread Cone Holder Support Screw Nut.
150368	23135	" " Steady Wire (4).....
150696	23135	Thread Cone Holder complete (for four cones) Nos. 51082R, 150367 and four each 164J, 19020, 150366 and 150368.....

## OBSOLETE PARTS

No.	Plate	Name
139337	-----	Bed Extension, superseded by 139476, not interchangeable.....
139187	-----	Belt Guard with two 146R, for use with Individual Motors and Low Shaft Power Table superseded by 139477, not interchangeable.....
139217	-----	Belt Guard with two wood screws 3/4 in. No. 9 R.H. for use with Singer Universal Safety Power Table, superseded by 139481, not interchangeable.....
349C	-----	Starting Treadle Set Screw, for 150487, use 140215C.....
356C	-----	Starting Treadle Shaft Arm Set Screw for 150489, use 140215C.....
59535	-----	Tension (needle thread) Spring, use 131741.....
57076	-----	Tension (needle thread) Thread Guide (double) use 131696.....

Genuine Singer Needles should be used  
in Singer Machines.  
These Needles and their Containers  
are marked with the  
Company's Trade Mark "SIMANCO." 1

Needles in Containers marked  
"For Singer Machines"  
are not Singer made needles. 2

## NUMERICAL LIST OF PARTS

## NUMERICAL LIST OF PARTS

No.	Plate	Name
110C	23118	Tension (needle thread) Releasing Shaft Crank Connecting Link Hinge Screw (2).....
116E	23125	Arm Screw (3).....
122E	23127	Looper Avoiding Eccentric Forked Con- nection Bracket Screw (2).....
131C	23125	Oil Cup Body Cap Retainer Screw for 139126 (4).....
144D	23090	Idler Pulley Shaft Cap Screw for 150496.....
146R	23122	Belt Guard Screw for 139187 and 139477 (2).....
146R	23086	Machine Screw, for mounting machine to table (2).....
157J	23127	Feed Lifting Eccentric Forked Con- nection Screw (2).....
164J	23092	Thread Unwinder Thread Cone Holder Screw for 150370 and 150696 (4)..
168C	23090	Idler Pulley Shaft Set Screw for 150529 and 150530 (2).....
172E	23127	Looper Holder Clamping Screw for 139093.....
175E	23127	Looper Driving Arm Connection Cap Screw for 139066 (4).....
175E	23131	Needle Bar Connecting Stud Clamping Screw for 139108.....
175E	23132	Thread (looper) Take-up Stripper Plate Bracket Screw (2).....
176J	23119	Thread (looper) Thread Guide Bracket Screw.....
176J	23120	Thread (looper) Thread Tube (front of bed) Cover Hinge Plate Screw (2).
176J	23119	Thread (needle) Take-up (auxiliary) Clamp Screw.....
178J	23092	Thread Unwinder Thread Guide Screw for 150370 and 150695.....
178J	23092	Thread Unwinder Spool Rest Rod Set Screw for 150662 and 150695.....
178J	23092	Thread Unwinder Spool Rest Set Screw for 150647 (4).....
190J	23097	Looper Gate Retaining Spring Screw...
190J	23131	Presser Foot Screw.....
190J	23119	Thread (needle) Eyelet (side of arm) Screw.....
202R	23124	Bed Rotary Shaft Ball Bearing (left) Cover Screw (4).....
202E	23119	Thread (needle) Take-up Clamping Screw for 139179.....
202J	23119	Thread (looper) Thread Guide Bracket Support Screw (lower).....



No.	Plate	Name
202J	23120	Thread (looper) Thread Tube (front of bed) Cover Lock Spring Screw.....
203J	23132	Thread (looper) Take-up Stripper Screw for 139280 (2).....
203J	23119	Thread (looper) Thread Tube (belt guard) Seat Screw (2).....
206J	23131	Looper Thread Guide Screw.....
207J	23132	Thread (looper) Take-up Stripper Plate Screw for 139280 (2).....
207J	23119	Thread (needle) Eyelet Screw.....
217J	23127	Feed Eccentric Clamping Washer Screw for 139052.....
219J	23132	Thread (looper) Take-up Thread Guide (right) Screw for 139280.....
229J	23119	Thread (looper) Thread Guide (left) Screw (2).....
229J	23119	Thread (looper) Thread Guide (right) Screw (2).....
229J	23120	Thread (looper) Thread Tube (front of bed) Cover Catch Screw for 139170 (2).....
229J	23119	Thread (needle) Thread Guide (left) Screw (2).....
229J	23119	Thread (needle) Thread Guide (right) Screw (2).....
237J	23132	Thread (looper) Take-up Thread Guide (left) Screw for 139280.....
237J	23119	Thread (looper) Thread Guide Bracket Support Screw (upper).....
239J	23128	Presser Foot Knife Screw for 139371 (2).....
240J	23132	Thread (looper) Take-up Thread Separator Thread Retainer Screw for 139280.....
316C	23118	Tension (needle thread) Releasing Shaft Stop Screw.....
330R	23090	Idler Pulley Shaft Ball Bearing Cover Screw for 150496.....
330W	23131	Needle Bar Thread Guide Screw.....
337J	23119	Thread (needle) Take-up Extension Screw for 139197.....
349C	-----	Starting Treadle Set Screw for 150487, obsolete use 140215C.....
356C	23090	Idler Pulley Shaft Bracket Shaft Set Screw for 150528.....
356C	-----	Starting Treadle Shaft Arm Set Screw for 150489, obsolete use 140215C.....
361C	23089	Treadle Pitman Rod Clamp Screw for 80223.....
362C	23123	Treadle Pitman Rod (upper) Collar Set Screw for 2762 (2).....
376J	23118	Tension (needle thread) Bracket Screw
391J	23126	Face Plate (lower half) Screw (3)....
430C	23118	Tension (looper thread) Body Set Screw.....

No.	Plate	Name
435AL	23127	Looper Holder Shaft Bushing (back) Set Screw.....
435AL	23127	Looper Holder Shaft Bushing (front) Set Screw.....
437C	23092	Thread Unwinder Rod Set Screw for 150364 (2).....
443AL	23127	Feed Bar Hinge Pin Set Screw.....
443AL	23127	Looper Driving Arm Hinge Stud Set Screw.....
445C	23123	Starting Treadle Shaft Collar Set Screw for 150216 (2).....
453AL	23131	Needle Guard Holder Set Screw.....
456C	23127	Looper Eccentric Connection Slide Block Screw Stud Set Screw for 139060.....
462AL	23124	Bed Rotary Shaft Ball Bearing (intermediate) Sleeve Set Screw for 139028 (2).....
574W	23131	Pressure Regulating Thumb Nut.....
624AL	23118	Tension (needle thread) Releasing Shaft Crank Set Screw for 54872..
665J	23132	Thread (looper) Take-up Stripper Plate Thread Guard Screw for 139280 (2).....
691F	23128	Throat Plate Screw (3).....
692C	23090	Idler Pulley Shaft Bracket (lower) Clamping Screw for 150529.....
692C	23090	Idler Pulley Shaft Bracket (upper) Clamping Screw for 150530.....
783E	23122	Bed Extension Screw (2).....
802D	23118	Presser Bar Lifting Lever Hinge Screw
807D	23118	Presser Bar Lifting Bracket Lifter Hinge Screw.....
1036AL	23124	Needle Bar Connecting Link Hinge Stud Set Screw for 139009 (2).....
1047AL	23127	Looper Driving Arm Connecting Link Hinge Pin Set Screw for 139062 and 139073 (2).....
1053E	23126	Face Plate (upper half) Position Plate Screw.....
1057AL	23127	Looper Driving Arm Connection Crank Clamping Screw for 139069.....
1057AL	23131	Needle Bar Connecting Stud Slide Block Guide Screw (2).....
1057AL	23131	Presser Bar Lifting Bracket Clamping Screw for 139130.....
1133E	23131	Needle Bar Bushing (lower) Set Screw.
1133E	23131	Needle Bar Guide Set Screw.....
1133E	23131	Presser Bar Bushing (lower) Set Screw
1133E	23131	Presser Bar Bushing (upper) Set Screw
1149AL	23124	Arm Rotary Shaft Crank Set Screw for 139009 (2).....
1167E	23131	Needle Guard Screw.....
1250AL	23124	Thread (looper) Take-up Cover Position Screw Stud.....

No.	Plate	Name
1253AL	23127	Looper Eccentric Connection Slide Block Screw Stud Collar Set Screw for 139076 (2).....
1255E	23128	Feed Dog Screw.....
1259AL	23127	Looper Eccentric and Feed Lifting Eccentric Set Screw for 139072 (2).....
1266AL	23124	Thread (looper) Take-up Set Screw for 139144 (2).....
1324C	23127	Looper Avoiding Eccentric Forked Connection Crank Clamping Screw for 139257.....
1423J	23118	Tension (looper thread) Regulating Screw Cap Screw for 139278.....
1443B	23132	Lap Seam Feller Screw (2).....
1448AL	23090	Idler Pulley Shaft Set Screw for 150480.....
1449J	23119	Thread (needle) Take-up Plate Spring Screw for 139197.....
1454E	23127	Looper Holder Shaft Collar Clamping Screw for 139097.....
1480D	23124	Bed Rotary Shaft Screw (left).....
1498F	23131	Needle Set Screw for 139116 (2).....
1520J	23127	Feed Bar Hinge Pin Set Screw Lock Nut
1520J	23127	Looper Driving Arm Connection Crank Ball Screw Stud Nut.....
1539W	23131	Pressure Regulating Thumb Screw Lock Nut.....
1547J	23118	Tension (needle thread) Releasing Shaft Stop Screw Nut.....
2102	23118	Tension (needle thread) Disc (4).....
2762	23123	Treadle Pitman Rod (upper) Collar with 362C, for 69338 (2).....
2807	23086	Machine Mounting Cushion Bolt Nut Washer (2).....
4879	23123	Foot Lifter Chain Connecting Link for 150491.....
6439	23123	Foot Lifter Chain, 36 in. to 45 in. with 56864 and 56865, for 150491.
Note: When ordering No. 6439, state length required.		
7071	23127	Feed Eccentric Clamping Washer for 139052.....
7071	23132	Thread (looper) Take-up Thread Guide (right) Screw Washer for 139280..
8582	23125	Arm Dowel Pin (2).....
12162	23120	Thread (looper) Thread Tube (front of bed) Cover Hinge Pin (2).....
*15404	-----	Trade Mark for 139001.....
15405	-----	" " Rivet for 139001 (2).....
17022	23132	Thread (looper) Take-up Stripper Screw Washer for 139280 (2).....
18191	23120	Thread (looper) Thread Tube (front of bed) Cover Lock Spring Position Pin for 139168.....

No.	Plate	Name
19020	23092	Thread Unwinder Thread Cone Holder Screw Washer for 150370 and 150696 (4).....
23250	23123	Treadle Pitman Rod (upper) Spring Washer for 69338.....
23535	23086	Wrench (Accessories).....
26276	23127	Looper Position Pin for 139093.....
26276	23128	Presser Foot Plate (back) Hinge Pin for 139138, 139245 and 139371....
26276	23128	Presser Foot Plate (front) Hinge Pin for 139138, 139245 and 139371....
26276	23128	Presser Foot Plate Connection Hinge Pin for 139138, 139245 and 139371
27639	23089	Treadle Pitman Rod for 60626 (2).....
27639	23123	" " (lower) for 69338.
29234	23126	Face Plate (upper half) Position Plate.....
32572	23118	Tension (needle thread) Releasing Disc (2).....
37160	23128	Presser Foot Plate Connection Spring for 139138, 139245 and 139371....
38456	23131	Presser Bar Bushing (upper).....
38467	23131	Presser Bar Spring (flat).....
38468	23131	Presser Bar Spring Stud.....
42639	23118	Tension (looper thread) Regulating Screw Nut Position Pin for 139140
42727	23118	Tension (looper thread) Tension Plate Position Pin for 139275.....
46681	-----	Starting Treadle Shaft Bracket for 60502 (2).....
50004C	23097	Bed Cover Screw (14).....
50040D	23124	Bed Rotary Shaft Screw (right).....
50150AL	23127	Looper Avoiding Eccentric Set Screw for 139058 (2).....
50318W	23131	Thread Cutter Screw (2).....
50326C	23118	Tension (needle thread) Screw Stud for 59539 (2).....
50328C	23127	Feed Regulating Screw for 139052.....
50411E	23097	Bed Cover Gasket Clamping Plate Screw for 139251 (2).....
50422C	23124	Arm Rotary Shaft Ball Bearing (back) Case Set Screw.....
50422C	23124	Bed Rotary Shaft Ball Bearing (right) Case Set Screw.....
50608R	23124	Arm Hole Plug Screw (for access to Arm Rotary Shaft Crank Set Screw)
50608R	23097	Bed Cover Hole Plug Screw.....
50608R	23124	Bed Oil Drain Plug Screw.....
50617B	23125	Oil Cup Body Oil Plug Screw for 139126.....
51061AL	23127	Feed Eccentric Body Set Screw for 139052 (2).....
51069R	23086	Machine Mounting Cushion Bolt with 51581R (2).....

No.	Plate	Name
51082R	23092	Thread Unwinder Thread Cone Holder Support Screw with 51581R for 150370 and 150696.....
51183R	23090	Idler Screw for 150486 (2).....
51185P	23124	Arm Rotary Shaft Screw.....
51224W	23126	Face Plate (upper half) Thumb Screw..
51282J	23132	Thread (looper) Take-up Cover Lock Spring Screw for 139280.....
51283AL	23125	Balance Wheel Set Screw for 139011 (2).....
51485E	23127	Looper Clamping Screw for 139093.....
51486C	23118	Tension (looper thread) Regulating Screw for 139278.....
51570C	23118	Tension (needle thread) Regulating Thumb Nut for 59539 (2).....
51581R	23086	Machine Mounting Cushion Bolt Nut for 51069 (2).....
51581R	-----	Thread Unwinder Thread Cone Holder Support Screw Nut for 51082.....
52146	23131	Needle Bar Guide Oil Pad (inside) braided cotton.....
54070	23118	Tension (needle thread) Bracket.....
54071	23118	Tension (needle thread) Releasing Shaft.....
54095	23119	Thread (needle) Take-up Plate for 139197.....
54242	23119	Thread (needle) Take-up (auxiliary) Clamp.....
54872	23118	Tension (needle thread) Releasing Shaft Crank with 624AL.....
54988	23118	Tension (needle thread) Releasing Pin (2).....
56864	23123	Foot Lifter Chain Hook (large) for 6439.....
56865	23123	Foot Lifter Chain Hook (small) for 6439.....
57076	-----	Tension (needle thread) Thread Guide (double) obsolete, use 131696....
59019	23131	Needle Bar Thread Guide Screw Washer.
59456	23131	Needle Bar Connecting Stud Slide Block Guide Screw Washer (2).....
59534	23118	Tension (looper thread) Spring for 139278.....
59535	-----	Tension (needle thread) Spring, obsolete, use 131741.....
59537	23118	Tension (needle thread) Spring Bushing (large) (2).....
59538	23118	Tension (needle thread) Spring Bushing (small) (2).....
59539	-----	Tension (needle thread) Screw Stud 50326C with 51570C (2).....
60502	23123	Starting Treadle Shaft Bracket 46681 with two wood screws 1 in. No. 14 F.H. for 150491 (2).....
60626	23089	Treadle Pitman Rod complete, for 150498, Nos. 80223 and two 27639.

No.	Plate	Name
68164	23119	Thread (needle) Take-up Plate Spring for 139197.....
68350	23124	Arm Rotary Shaft Ball Bearing (back) Oil Cup.....
68350	23124	Arm Rotary Shaft Ball Bearing (front) Oil Cup.....
68350	23124	Bed Rotary Shaft Ball Bearing (right) Oil Cup.....
69337	23123	Treadle Pitman Rod (upper) for 69338.
69338	23123	Treadle Pitman complete, for 150497, Nos. 23250, 27639, 69337, 80223, 150208 and two 2762.....
80223	23089	Treadle Pitman Rod Clamp with 361C, for 60626 and 69338.....
120341	23086	Tweezers (curved) Accessories.....
120344	23086	Oiler (copper plated) with 120345, (Accessories).....
120345	23086	Oiler Spout, 4 1/2 in. long for 120344.....
120440	23086	Screw Driver (large) Accessories.....
121108	23086	Screw Driver (small) Accessories.....
121449	23132	Lap Seam Feller Clamping Plate.....
121586	23132	Lap Seam Feller on Shank.....
128551	23127	Looper Driving Arm Connection Crank Ball Screw Stud Nut Lock Washer..
128721	23119	Thread (needle) Eyelet (side of arm).
130328	23090	Idler Pulley Shaft Oil Cup for 150486
131198	23131	Presser Bar Spring (auxiliary).....
131319	23124	Arm Rotary Shaft Ball Bearing (back) Oil Cup Oil Pad (braided cotton).
131319	23124	Arm Rotary Shaft Ball Bearing (front) Oil Cup Oil Pad (braided cotton).
131319	23124	Bed Rotary Shaft Ball Bearing (right) Oil Cup Oil Pad (braided cotton).
131696	23118	Tension (needle thread) Thread Guide (double) (2).....
131741	23118	Tension (needle thread) Spring (2)...
132231	23124	Bed Rotary Shaft Ball Bearing (left).
135060	-----	Front Plank, 1 5/8 in. thick, 19 in. wide, 46 1/2 in. long, for Series 1500, 1900 and 2900 Electric Transmitters, for Universal Electric Transmitter Tables.....
135061	-----	Front Plank, 1 5/8 in. thick, 19 in. wide, 48 in. long, for Series 1500, 1900 and 2900 Electric Transmitters, for Electric Transmitter Tables (cast iron legs)...
135062	-----	Front Plank, 1 5/8 in. thick, 19 in. wide, 46 1/2 in. long, for Series 1700 Electric Transmitters, for Universal Electric Transmitter Tables.....

No.	Plate	Name
135063	-----	Front Plank, 1 5/8 in. thick, 19 in. wide, 48 in. long for Series 1700 Electric Transmitters, for Electric Transmitter Tables (cast iron legs).....
135064	-----	Front Plank, 1 5/8 in. thick, 19 in. wide, 46 1/2 in. long for Series S 39, S 49, S 59 and S 69 Electric Transmitters, for Universal Electric Transmitter Tables.....
135065	-----	Front Plank, 1 5/8 in. thick, 19 in. wide, 48 in. long, for Series S 39, S 49, S 59 and S 69 Electric Transmitters, for Electric Transmitter Tables (cast iron legs).....
135068	-----	Front Plank, 1 5/8 in. thick, 19 in. wide, 46 1/2 in. long, for Universal Low Shaft Power Table.....
135069	-----	Front Plank, 1 5/8 in. thick, 19 in. wide, 48 in. long, for Old Style Low Shaft Power Table.....
135098	-----	Front Plank, 1 5/8 in. thick, 19 in. wide, 46 1/2 in. long, for Universal Safety Power Table.....
135196	-----	Front Plank, 1 5/8 in. thick, 19 in. wide, 46 1/2 in. long for Series S 79 and S 89 Electric Transmitters, for Universal Electric Transmitter Tables.....
135250	-----	Front Plank, 1 5/8 in. thick, 19 in. wide, 48 in. long for Series S 79 and S 89 Electric Transmitters, for Electric Transmitter Tables (cast iron legs).....
*139001	-----	Arm with 15404 and two 15405.....
139002	23124	Arm Rotary Shaft for 139225.....
139003	23124	Arm Rotary Shaft Ball Bearing (back) Case.....
139004	23124	Arm Rotary Shaft Ball Bearing (back) Case Nut.....
139004	23124	Bed Rotary Shaft Ball Bearing (right) Case Nut.....
139005	23124	Arm Rotary Shaft Ball Bearing (back) Spacing Collar.....
139006	23124	Arm Rotary Shaft Ball Bearing (front)
139007	23124	Arm Rotary Shaft Ball Bearing (front) Oil Retainer (back).....
139008	23124	Arm Rotary Shaft Ball Bearing (front) Oil Retainer (front).....
139009	23124	Arm Rotary Shaft Crank with two each 1036AL and 1149AL, for 139226....
139010	23125	Arm Rotary Shaft Sprocket Wheel with two each 201254C and 202253.....
139011	23125	Balance Wheel, 2 in. pulley with two 51283AL.....

No.	Plate	Name
139017	23097	Bed Cover Hole Plug Screw Washer.....
139017	23124	Bed Oil Drain Plug Screw Washer.....
139022	23097	Bed Oil Gauge.....
139025	23124	Bed Rotary Shaft.....
139026	23124	Bed Rotary Shaft Ball Bearing (intermediate).....
139028	23124	Bed Rotary Shaft Ball Bearing (intermediate) Sleeve with two 462AL....
139030	23124	Bed Rotary Shaft Ball Bearing (left) Cover.....
139031	23124	Bed Rotary Shaft Ball Bearing (left) Cover Gasket.....
139032	23124	Bed Rotary Shaft Ball Bearing (right) Case.....
139033	23124	Bed Rotary Shaft Ball Bearing (right) Spacing Collar.....
139034	23111	Bed Rotary Shaft Belt Guard with two 200363C.....
139035	23111	Bed Rotary Shaft Belt Guard Cover for 139036.....
139036	23111	Bed Rotary Shaft Belt Guard Cover 139035 with 139037.....
139037	23111	Bed Rotary Shaft Belt Guard Cover Gasket (cork) for 139036.....
139038	23125	Bed Rotary Shaft Sprocket Wheel with 202253 and two 201254C.....
139039	23126	Face Plate (lower half).....
139040	23126	Face Plate (lower half) Gasket (cork)
139041	23126	Face Plate (upper half).....
139043	23127	Feed Bar.....
139046	23127	Feed Bar Hinge Pin Slide Block.....
139047	23128	Feed Dog, 21 teeth (16 teeth to the inch) for 1/8 in. and 5/32 in....
		Note: When ordering Feed Dog, state gauge required.
139049	23130	Feed Dog, 19 teeth (14 teeth to the inch) for 1/4 in. to 3/8 in. gauges for 139186, for 231-4 Machine.....
		Note: When ordering Feed Dog, state gauge required.
*139050	-----	Feed Eccentric for 139052.....
*139051	-----	Feed Eccentric Body for 139052.....
139052	23127	Feed Eccentric (adjustable) complete, Nos. 217J, 7071, 50328, 139050, 139051 and two 51061AL.....
139053	23127	Feed Eccentric Slide Block.....
139054	23127	Feed Lifting Eccentric Forked Connection.....
139055	23127	Feed Lifting Eccentric Forked Connection Slide Block.....
139055	23127	Looper Avoiding Eccentric Forked Connection Slide Block.....

No.	Plate	Name
139056	23128	Looper (back).....
Note: When ordering Loopers, state gauge required.		
139057	23128	Looper (front).....
139058	23127	Looper Avoiding Eccentric with two 50150AL.....
139059	23127	Looper Avoiding Eccentric Forked Con- nection.....
139060	23127	Looper Avoiding Eccentric Forked Con- nection Bracket with 456C.....
139062	23127	Looper Driving Arm with 1047AL, for 139063.....
139063	-----	Looper Driving Arm 139062 with 139066 and 139070.....
139064	23127	Looper Driving Arm Connecting Link...
139065	23127	Looper Driving Arm Connecting Link Hinge Pin (2).....
139066	23127	Looper Driving Arm Connection with four 175E, for 139063.....
139069	23127	Looper Driving Arm Connection Crank with 1057AL.....
139070	23127	Looper Driving Arm Connection Crank Ball Screw Stud for 139063.....
139072	23127	Looper Eccentric and Feed Lifting Eccentric with two 1259AL.....
139073	23127	Looper Eccentric Connection with 1047AL.....
139074	23127	Looper Eccentric Connection Slide Block.....
139075	23127	Looper Eccentric Connection Slide Block Screw Stud.....
139076	23127	Looper Eccentric Connection Slide Block Screw Stud Collar with two 1253AL.....
139093	23127	Looper Holder with 172E, 26276 and 51485E.....
139094	23127	Looper Holder Shaft.....
139095	23127	Looper Holder Shaft Bushing (back)...
139096	23127	Looper Holder Shaft Bushing (front)...
139097	23127	Looper Holder Shaft Collar with 1454E
139099	23131	Needle Bar (hollow) for 139100.....
139100	-----	Needle Bar complete, Nos. 139099 and 139116.....
139101	23131	Needle Bar Bushing (lower).....
139102	23131	Needle Bar Connecting Link for 139103
139103	-----	Needle Bar Connecting Link 139102 with 139105 and 139108, for 139226.....
139105	23124	Needle Bar Connecting Link Hinge Stud for 139103.....
139108	23131	Needle Bar Connecting Stud with 175E, for 139103.....
139110	23131	Needle Bar Connecting Stud Oil Pad (wick).....
139111	23131	Needle Bar Connecting Stud Slide Block.....

No.	Plate	Name
139112	23131	Needle Bar Connecting Stud Slide Block Guide.....
139113	23131	Needle Bar Guide.....
139114	23131	" " " Oil Pad (outside) felt.....
139115	23131	Needle Bar Thread Guide.....
139116	23131	Needle Clamp with two 1498R, for 139100.....
139117	23128	Needle Guard for 3/32 in. to 3/16 in. gauges, for 231-4 Machine.....
Note: When ordering Needle Guard, state gauge re- quired.		
139118	23129	Needle Guard for 7/32 in. to 9/32 in. gauges, for 231-4 Machine.....
Note: When ordering Needle Guard, state gauge re- quired.		
139119	23130	Needle Guard for 5/16 in. gauge, for 231-4 Machine.....
Note: When ordering Needle Guard, state gauge re- quired.		
139120	23131	Needle Guard Holder.....
139121	23125	Oil Cup Body for 139126.....
139122	23125	Oil Cup Body Cap (transparent) for 139126.....
139123	23125	Oil Cup Body Cap Gasket (cork) for 139126.....
139124	23125	Oil Cup Body Cap Retainer for 139126.
139125	23125	Oil Cup Body Oil Plug Screw Washer for 139126.....
139126	23125	Oil Cup complete, for oiling Needle Bar Connecting Link, Nos. 50617B, 139121 to 139125 and four 131C...
139127	23125	Oil Cup Gasket (soft leather).....
139128	23131	Presser Bar.....
139129	23131	Presser Bar Bushing (lower).....
139130	23131	Presser Bar Lifting Bracket with 1057AL.....
139131	23118	Presser Bar Lifting Bracket Lifter...
139132	23118	Presser Bar Lifting Lever.....
139133	23118	Presser Bar Lifting Lever Spring....
139134	23128	Presser Foot Plate (back) for 139138 and 139245.....
139135	23128	Presser Foot Plate (front) for 139138 and 139371.....
139136	23128	Presser Foot Plate Connection for 139138.....
139137	23128	Presser Foot Shank, for 139138, 139245 and 139371.....
139138	23128	Presser Foot (triple hinged) complete for 231-4 Machine, Nos. 37160, 139134 to 139137 and three 26276.
139140	23118	Tension (looper thread) Regulating Screw Nut with 42639, for 139278.
139143	23118	Tension (needle thread) Releasing Shaft Crank Connecting Link.....

No.	Plate	Name
139144	23124	Thread (looper) Take-up with two 1266AL.....
139145	23132	Thread (looper) Take-up Cover for 139280.....
139146	23132	Thread (looper) Take-up Cover Hinge Pin for 139280.....
139147	23132	Thread (looper) Take-up Cover Lock Spring for 139280.....
139148	23132	Thread (looper) Take-up Stripper for 139280.....
139149	23132	Thread (looper) Take-up Stripper Plate for 139280.....
139152	23132	Thread (looper) Take-up Stripper Plate Thread Guard for 139280....
139153	23132	Thread (looper) Take-up Thread Guard (fibre) for 139280.....
139154	23132	Thread (looper) Take-up Thread Guide (left) for 139280.....
139155	23132	Thread (looper) Take-up Thread Guide (right) for 139280.....
139156	23132	Thread (looper) Take-up Thread Separator for 139280.....
139157	23132	Thread (looper) Take-up Thread Separator Thread Retainer for 139280.
139158	23119	Thread (looper) Thread Guide (left)..
139158	23119	Thread (looper) Thread Guide (right)..
139158	23119	Thread (needle) Thread Guide (left)..
139158	23119	Thread (needle) Thread Guide (right)..
139159	23119	Thread (looper) Thread Guide Bracket.
139160	23119	Thread (looper) Thread Guide Bracket Support.....
139162	23119	Thread (looper) Thread Tube (belt guard) Bushing for 139164 (4)....
139164	23119	Thread (looper) Thread Tube (belt guard) with four 139162.....
139167	23120	Thread (looper) Thread Tube (front of bed) Bushing for 139168 (4).....
139168	23120	Thread (looper) Thread Tube (front of bed) with 18191 and four 139167..
139169	23120	Thread (looper) Thread Tube (front of bed) Cover for 139170.....
139170	23120	Thread (looper) Thread Tube (front of bed) Cover 139169 with 139171 and two 229J.....
139171	23120	Thread (looper) Thread Tube (front of bed) Cover Catch for 139170.....
139172	23120	Thread (looper) Thread Tube (front of bed) Cover Hinge Plate (2).....
139173	23120	Thread (looper) Thread Tube (front of bed) Cover Lock Spring.....
139174	23120	Thread (looper) Thread Tube (front of bed) Cover Lock Spring Reinforcing Plate.....
139177	23119	Thread (needle) Eyelet.....
139179	23119	Thread (needle) Take-up with 202E, for 139197.....

No.	Plate	Name
139180	23119	Thread (needle) Thread Guide Bracket.
139181	23131	Thread Cutter (knife).....
139182	23131	Thread Cutter Thread Guide (inside)..
139183	23131	Thread Cutter Thread Guide (outside)..
139184	23128	Throat Plate for 1/8 in. and 5/32 in. gauges, for 139047 and 139240, for 231-4 Machine.....
Note: When ordering Throat Plate, state gauge required.		
139186	23130	Throat Plate for 1/4 in. to 3/8 in. gauges, for 139049, for 231-4 Machine.....
Note: When ordering Throat Plate, state gauge required.		
139187	-----	Belt Guard with two 146R, for use with Individual Motors and Low Shaft Power Table, obsolete, superseded by 139477, not interchangeable.....
139189	23132	Lap Seam Feller Slide.....
139190	23086	Machine Cushion (round rubber) (2)
139191	23086	Machine Mounting Cushion (moulded rubber) (2).....
139192	23129	Feed Dog, 21 teeth (16 teeth to the inch) for 3/16 in. gauge, for 139193, for 231-4 Machine.....
Note: When ordering Feed Dog, state gauge required.		
139193	23129	Throat Plate, for 3/16 in. gauge, for 139192 and 139194, for 231-4 Machine.....
Note: When ordering Throat Plate, state gauge required.		
139194	23129	Feed Dog, 19 teeth (14 teeth to the inch) for 3/16 in. gauge, for 139193, for 231-4 Machine.....
Note: When ordering Feed Dog, state gauge required.		
139195	23130	Needle Guard for 3/8 in. gauge for 231-4 Machine.....
Note: When ordering Needle Guard, state gauge required.		
139196	23119	Thread (needle) Take-up Extension for 139197.....
139197	23119	Thread (needle) Take-up complete, Nos. 337J, 1449J, 54095, 68164, 139179 and 139196.....
139198	23119	Thread (needle) Take-up (auxiliary)..
139217	-----	Belt Guard with two wood screws 3/4 in. No.9 R.H. for use with Singer Universal Safety Power Table, obsolete, superseded by 139481, not interchangeable.....
139225	-----	Arm Rotary Shaft 139002 with 139226..
139226	-----	Arm Rotary Shaft Crank 139009 with 139103, for 139225.....

No.	Plate	Name
139229	23131	Needle Bar Connecting Link Spacing Washer, thicknesses .004", .008" and .012".....
Note: When ordering No. 139229, state thickness required.		
139234	23128	Feed Dog, with row of teeth between needles, 18 teeth (14 teeth to the inch) for 5/32 in. gauge, for 139236, for 231-4 Machine.....
Note: When ordering Feed Dog, state gauge required.		
139236	23128	Throat Plate, for 5/32 in. gauge, for No. 16 Needle, for 139234, for 231-4 Machine.....
Note: When ordering Throat Plate, state gauge required.		
139239	23124	Needle Bar Connecting Link Hinge Stud Oil Pad (braided cotton).....
139240	23128	Feed Dog, 19 teeth (14 teeth to the inch) for 1/8 in. and 5/32 in. gauges, for 139184, for 231-4 Machine.....
Note: When ordering Feed Dog, state gauge required.		
139241	23133	Feed Dog, 21 teeth (16 teeth to the inch) for 1/8 in. and 5/32 in. gauges for 139246, for 231-5 Machine.....
Note: When ordering Feed Dog, state gauge required.		
139242	23133	Needle Guard for 3/32 in. to 3/16 in. gauges, for 231-5 Machine.....
Note: When ordering Needle Guard, state gauge required.		
139243	23133	Presser Foot Plate (front) for 139245
139244	23133	Presser Foot Plate Connection for 139245.....
139245	23133	Presser Foot (triple hinged) complete for 231-5 Machine, Nos. 37160, 139134, 139137, 139243, 139244 and three 26276.....
139246	23133	Throat Plate, for 1/8 in. and 5/32 in. gauges for 139241 and 139248, for 231-5 Machine.....
Note: When ordering Throat Plate, state gauge required.		
139248	23133	Feed Dog, 18 teeth (14 teeth to the inch) for 1/8 in. and 5/32 in. gauges, for 139246, for 231-5 Machine.....
Note: When ordering Feed Dog, state gauge required.		
*139249	-----	Bed.....
139251	23097	Bed Cover with 139253 and two 50411E.
139252	23097	Bed Cover Gasket (cork).....

No.	Plate	Name
139253	23097	Bed Cover Gasket Clamping Plate for 139251.....
139256	23127	Feed Bar Hinge Pin (eccentric).....
139257	23127	Looper Avoiding Eccentric Forked Connecting Crank (forked) with 1324C
139260	23128	Looper Gate (left) for Throat Plates 21/32 in. wide.....
139262	23129	Looper Gate (left) for Throat Plates 3/4 in. wide.....
139264	23097	Looper Gate (left) for Throat Plates 7/8 in. wide.....
139267	23128	Looper Gate (right) for Throat Plates 21/32 in. wide.....
139269	23129	Looper Gate (right) for Throat Plates 3/4 in. wide.....
139271	23097	Looper Gate (right) for Throat Plates 7/8 in. wide.....
139272	23097	Looper Gate Retaining Spring.....
139273	23131	" Thread Guide.....
139275	23118	Tension (looper thread) Body and Thread Guide with 42727, for 139278.....
139276	23118	Tension (looper thread) Tension Plate for 139278 (3).....
139278	23118	Tension (looper thread) complete, Nos. 1423J, 51486C, 59534, 139140, 139275 and three 139276.....
139279	23132	Thread (looper) Take-up Stripper Plate Bracket, for 139280.....
139280	23132	Thread (looper) Take-up Stripper Plate Bracket 139279 with 219J, 237J, 240J, 7071, 51282J, 139145 to 139149, 139152 to 139157 and two each 203J, 207J, 665J and 17022....
139281	23127	Thread (looper) Thread Tube (side of bed).....
139337	-----	Bed Extension, obsolete, superseded by 139476, not interchangeable...
139350	23128	Feed Dog, 21 teeth (16 teeth to the inch) for 3/32 in. gauge, for 139351, for 231-4 Machine.....
Note: When ordering Feed Dog, state gauge required.		
139351	23128	Throat Plate for 3/32 in. gauge, for 139350, for 231-4 Machine.....
Note: When ordering Throat Plate, state gauge required.		
139352	23127	Looper Driving Arm Hinge Stud.....
139353	23129	Feed Dog, with row of teeth between needles, 17 teeth (12 teeth to the inch) for 3/16 in. to 1/4 in. gauges, for 139355, for 231-4 Machine.....
Note: When ordering Feed Dog, state gauge required.		

No.	Plate	Name
139354	23129	Feed Dog, with row of teeth between needles, 19 teeth (14 teeth to the inch) for 3/16 in. to 1/4 in. gauges for 139355, for 231-4 Machine.....
Note: When ordering Feed Dog, state gauge required.		
139355	23129	Throat Plate for 3/16 in. to 1/4 in. gauges, for No. 18 Needle, for 139353 and 139354, for 231-4 Machine.....
Note: When ordering Throat Plate, state gauge required.		
139356	23134	Needle Guard for 7/32 in. to 9/32 in. gauges for 231-5 Machine.....
Note: When ordering Needle Guard, state gauge required.		
139357	23133	Feed Dog, 19 teeth, (14 teeth to the inch) for 3/16 in. gauge, for 139359, for 231-5 Machine.....
Note: When ordering Feed Dog, state gauge required.		
139359	23133	Throat Plate for 3/16 in. gauge for 139357, for 231-5 Machine.....
Note: When ordering Throat Plate, state gauge required.		
139361	23134	Needle Guard for 5/16 in. gauge for 231-5 Machine.....
Note: When ordering Needle Guard, state gauge required.		
139362	23134	Needle Guard, for 3/8 in. gauge for 231-5 Machine.....
Note: When ordering Needle Guard, state gauge required.		
139363	23134	Feed Dog, 17 teeth (12 teeth to the inch) for 3/16 in. to 3/8 in. gauges, for 139365, for 231-5 Machine.....
Note: When ordering Feed Dog, state gauge required.		
139364	23134	Feed Dog, 19 teeth (14 teeth to the inch) for 3/16 in. to 3/8 in. gauges, for 139365, for 231-5 Machine.....
Note: When ordering Feed Dog, state gauge required.		
139365	23134	Throat Plate, for 3/16 in. to 3/8 in. gauges, for 139363 and 139364, for 231-5 Machine.....
Note: When ordering Throat Plate, state gauge required.		
139368	23128	Presser Foot Knife for 139371.....
139369	23128	" " Plate (back) for 139371.
139370	23128	Presser Foot Plate Connection for 139371.....

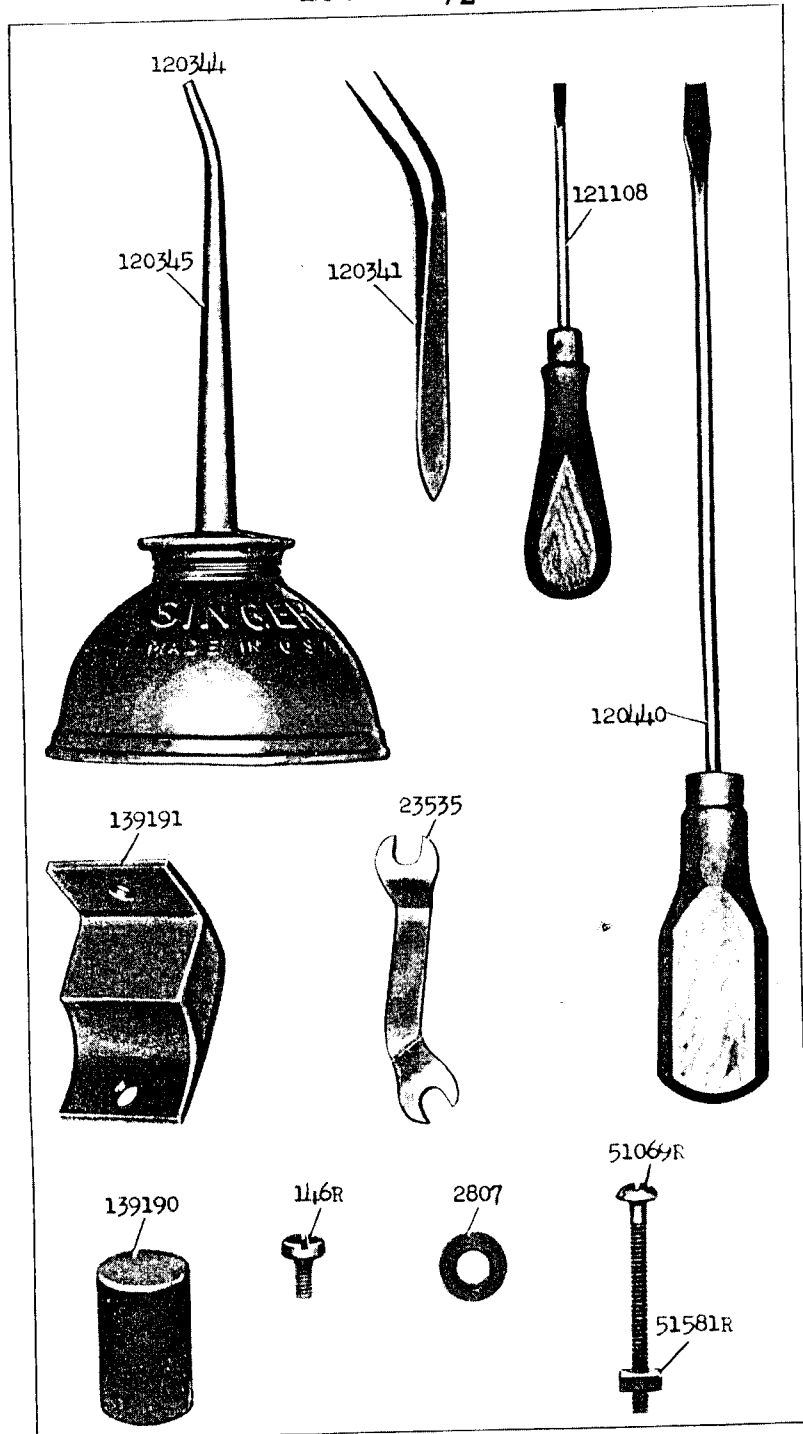
No.	Plate	Name
139371	23128	Presser Foot (triple hinged) with Knife complete, for 231-4 Machine, Nos. 37160, 139135, 139137, 139368 to 139370, two 239J and three 26276.....
139386	23134	Feed Dog, with row of teeth between needles, 18 teeth (14 teeth to the inch) for 5/32 in. gauge, for 139387, for 231-5 Machine.....
Note: When ordering Feed Dog, state gauge required.		
139387	23134	Throat Plate, for 5/32 in. gauge, for 139386, for No. 16 Needle, for 231-5 Machine.....
Note: When ordering Throat Plate, state gauge required.		
139411	23127	Looper Eccentric Connection Slide Block Screw Stud Washer (leather)
139476	23122	Bed Extension.....
139477	23122	Belt Guard with two 146R, for 150862 and 150863, for use with Bed Extension No. 139476, for all applications except for oblique mounting of the Machine on Singer Universal Safety Power Tables....
139481	23122	Belt Guard with two wood screws 3/4 in. No. 9 R.H., for 150867, for use with Bed Extension No. 139476, for use on Singer Universal Safety Power Tables when Machine is set at an oblique angle.....
140215C	23123	Starting Treadle Set Screw for 150487 (2).....
140215C	23123	Starting Treadle Shaft Arm Set Screw, for 150489 (2).....
150203	23092	Thread Unwinder Spool Rest Cushion (felt) for 150662 and 150695 (4).
150208	23123	Treadle Pitman Rod (upper) Spring for 69338.....
150212	23123	Foot Lifter Treadle for 150491.....
150216	23123	Starting Treadle Shaft Collar with two 445C, for 150491.....
150364	23092	Thread Unwinder Base with two 437C, for 150370 and 150695.....
150365	23092	Thread Unwinder Rod for 150370.....
150366	23092	Thread Unwinder Thread Cone Holder for 150370 and 150696 (4).....
150367	23092	Thread Unwinder Thread Cone Holder Support for 150370 and 150696....
150368	23092	Thread Unwinder Thread Cone Steady Wire for 150370 and 150696 (4)...
150369	23092	Thread Unwinder Thread Guide for 150370 and 150695.....



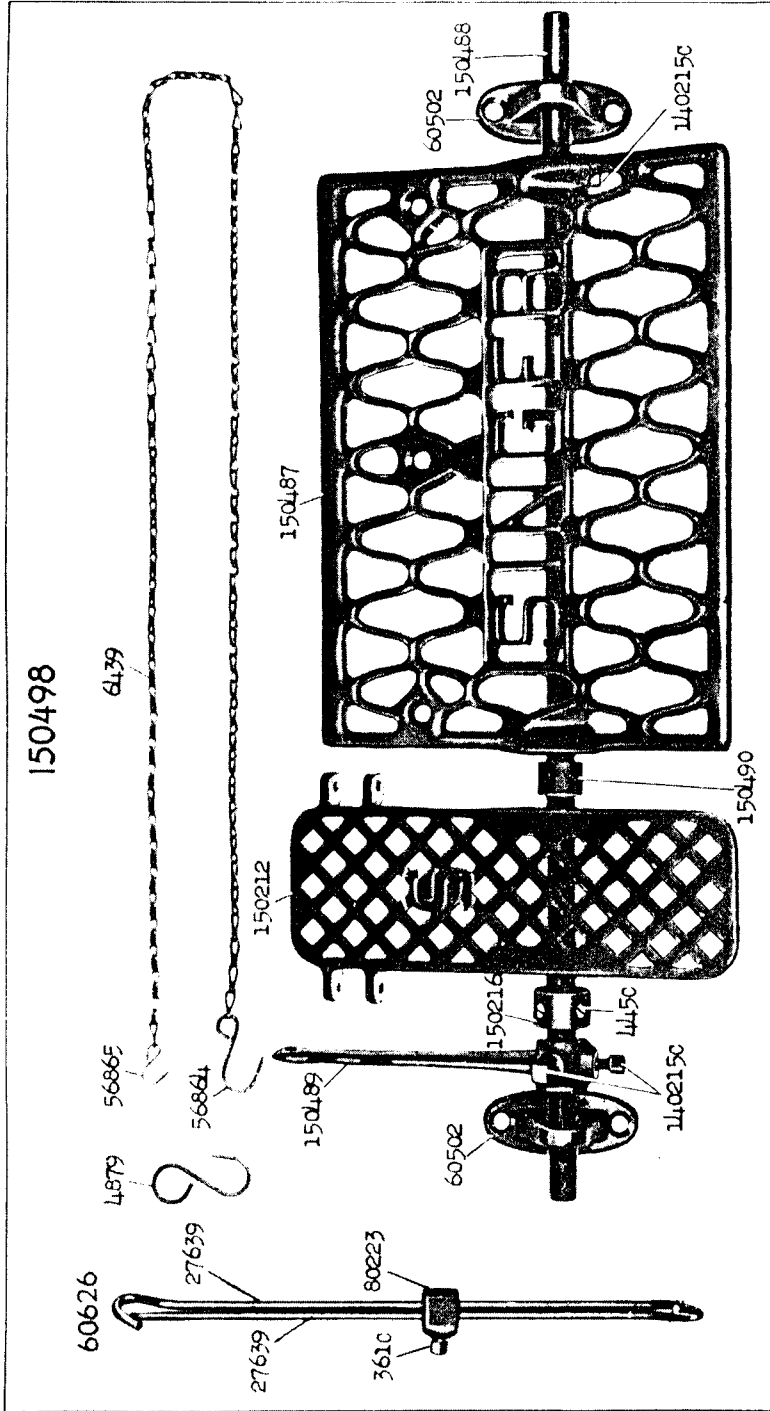
No.	Plate	Name
150370	23092	Thread Unwinder complete, for inverted cones (for four cones) Nos. 178J, 51082R, 150364, 150365, 150367, 150369, three wood screws 1 1/2 in. No. 16 F.H. and four each 164J, 19020, 150366 and 150368...
150480	23090	Idler Bracket with 1448AL, for 150486
150481	23090	Idler Pulley for 150496.....
150482	23090	Idler Pulley Shaft for 150496.....
150483	23124	Arm Rotary Shaft Ball Bearing (back).
150483	23124	Bed Rotary Shaft Ball Bearing (right)
150483	23090	Idler Pulley Shaft Ball Bearing for 150496.....
150484	23090	Idler Pulley Shaft Ball Bearing Cover, for 150496.....
150485	23090	Idler Pulley Shaft Ball Bearing Cover Gasket (cork) for 150496.....
150486	23090	Idler complete, for 150862 and 150863, Nos. 130328, 150480, 150496 and two 51183R.....
150487	23123	Starting Treadle with two 140215C, for 150491.....
150488	23123	Starting Treadle Shaft for 150491....
150489	23123	Starting Treadle Shaft Arm with two 140215C, for 150491.....
150490	23123	Starting Treadle Spacing Collar for 150491.....
150491	-----	Starting and Foot Lifter Treadle complete, for 150497 and 150498, Nos. 4879, 6439, 150212, 150216, 150487 to 150490 and two 60502...
150496	23090	Idler Pulley and Shaft complete, for 150486 and 150532, Nos. 144D, 150481 to 150485 and four 330R...
150497	23123	Starting and Foot Lifter Treadle with Pitman complete, for Universal Safety Power Table, for 150867, Nos. 69338 and 150491.....
150498	23089	Starting and Foot Lifter Treadle with Pitman complete, for Low Shaft Power Table, for Under Driver No. 150499, Nos. 60626 and 150491.....
150528	23090	Idler Base with 356C, for 150532....
150529	23090	Idler Pulley Shaft Bracket (lower) with 168C and 692C, for 150532...
150530	23090	Idler Pulley Shaft Bracket (upper) with 168C and 692C, for 150532...
150531	23090	Idler Pulley Shaft Bracket Shaft for 150532.....
150532	23090	Idler complete, for Under the Table, for Singer Universal Safety Power Table, Nos. 150528 to 150531, two 150496 and three wood screws 1 1/4 in. No. 12 F.H.....

No.	Plate	Name
150533	23090	Idler Guard with two wood screws 3/4 in. No. 9 R.H., for 150532.....
150647	23092	Thread Unwinder Spool Rest with 178J, for 150662 and 150695 (4).....
150649	23092	Thread Unwinder Spool Rest Rod for 150662 and 150695.....
150653	23135	Thread Unwinder Rod for 150695.....
150662	23092	Thread Unwinder Spool Rests complete (for four spools) for use when Spools are used in place of Cones of Thread, for use with Thread Unwinder No. 150370, Nos. 178J, 150649 and four each 150203 and 150647.....
150695	23135	Thread Unwinder complete (for four spools) Nos. 150364, 150369, 150649, 150653, two 178J, three wood screws 1 1/2 in. No. 16 F.H. and four each 150203 and 150647.....
150696	23135	Thread Unwinder Thread Cone Holder complete (for four cones) for use when cones are used in place of Spools of Thread, for use with Thread Unwinder No. 150695, Nos. 51082R, 150367 and four each 164J, 19020, 150366 and 150368.....
150862	-----	Power Table Accessories, for all styles of Electric Transmitter Power Tables, Nos. 139477, 150486 and 150491.....
150863	-----	Power Table Accessories, for Universal Low Shaft Power Tables, Nos. 139477 and 150486.....
150867	-----	Power Table Accessories for Universal Safety Power Tables, Nos. 139481 and 150497.....
152004	23122	Belt Guard with two wood Screws 1 in. No. 10 R.H. for Series S 39, S 49 S 59 and S 69, Electric Transmitters for Stand No. 46976, for use with Bed Extension No. 139337....
200092F	23111	Bed Rotary Shaft Belt Guard Cover Screw (2).....
200363C	23111	Bed Rotary Shaft Belt Guard Set Screw for 139034 (2).....
201254C	23125	Arm Rotary Shaft Sprocket Wheel Set Screw for 139010 (2).....
201254C	23125	Bed Rotary Shaft Sprocket Wheel Set Screw for 139038 (2).....
202253	23125	Arm Rotary Shaft Sprocket Wheel Spring Flange for 139010 (2)....
202253	23125	Bed Rotary Shaft Sprocket Wheel Spring Flange for 139038.....
249311	23125	Bed Rotary Shaft Belt.....

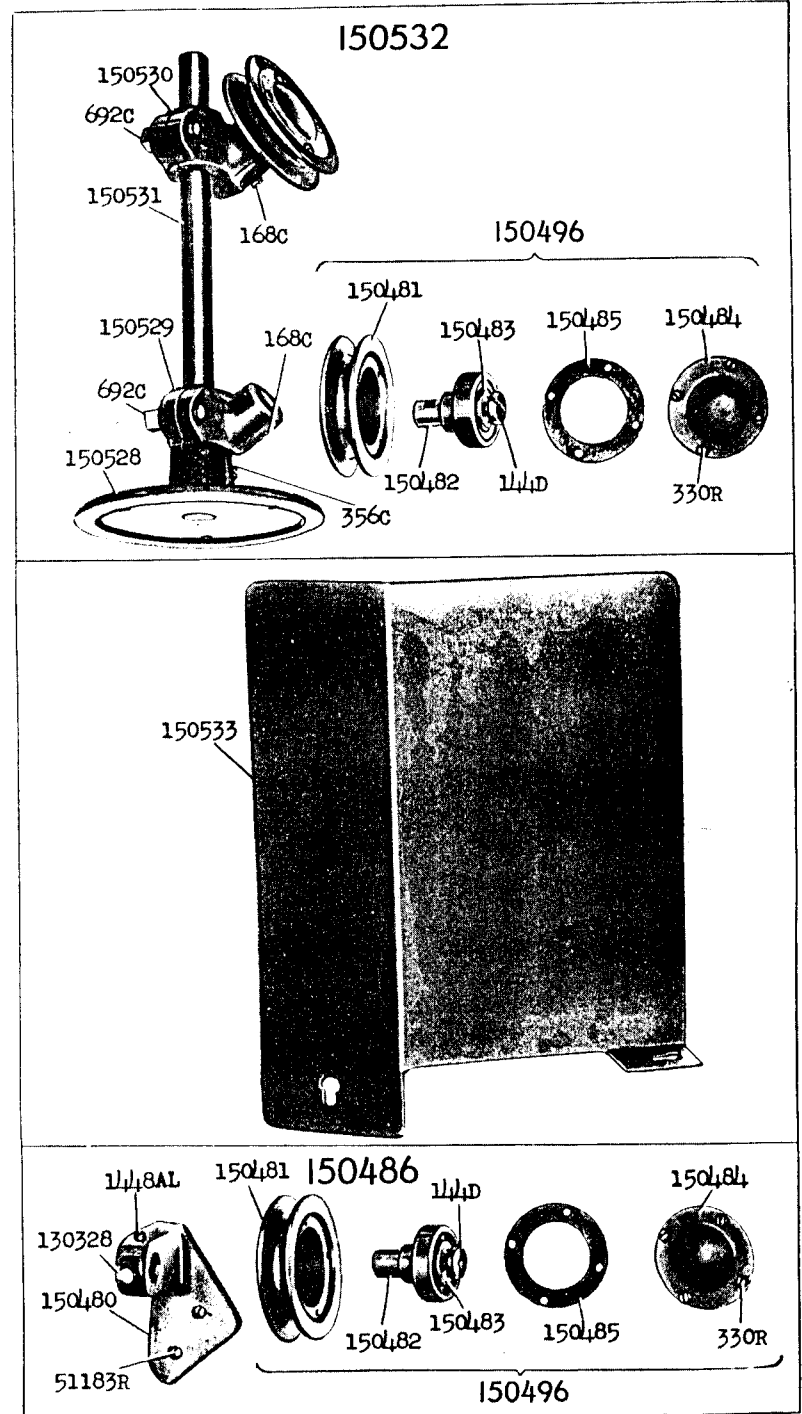
ILLUSTRATIONS  
OF  
PARTS



23089 - 1/4

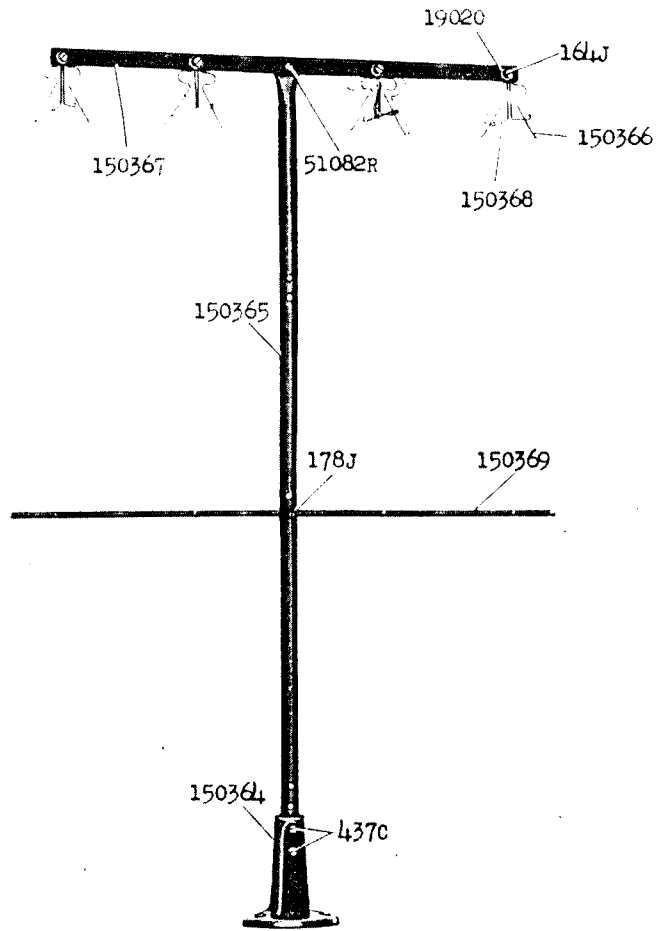


23090 - 1/4

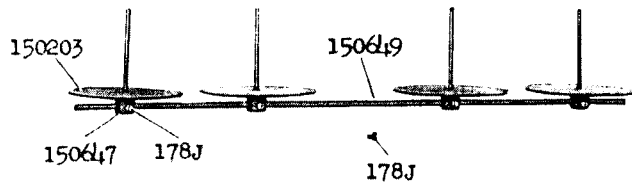


23092 - 1/6

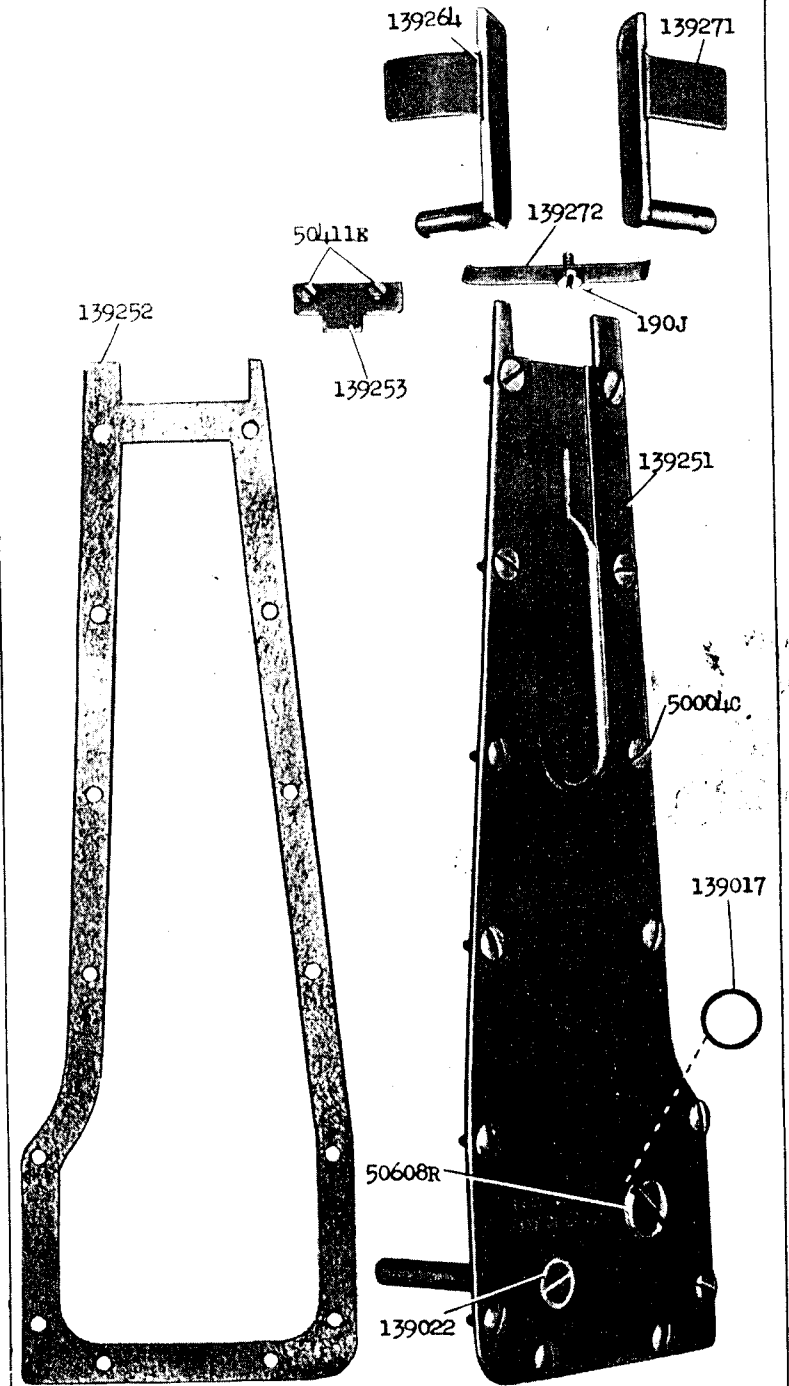
150370



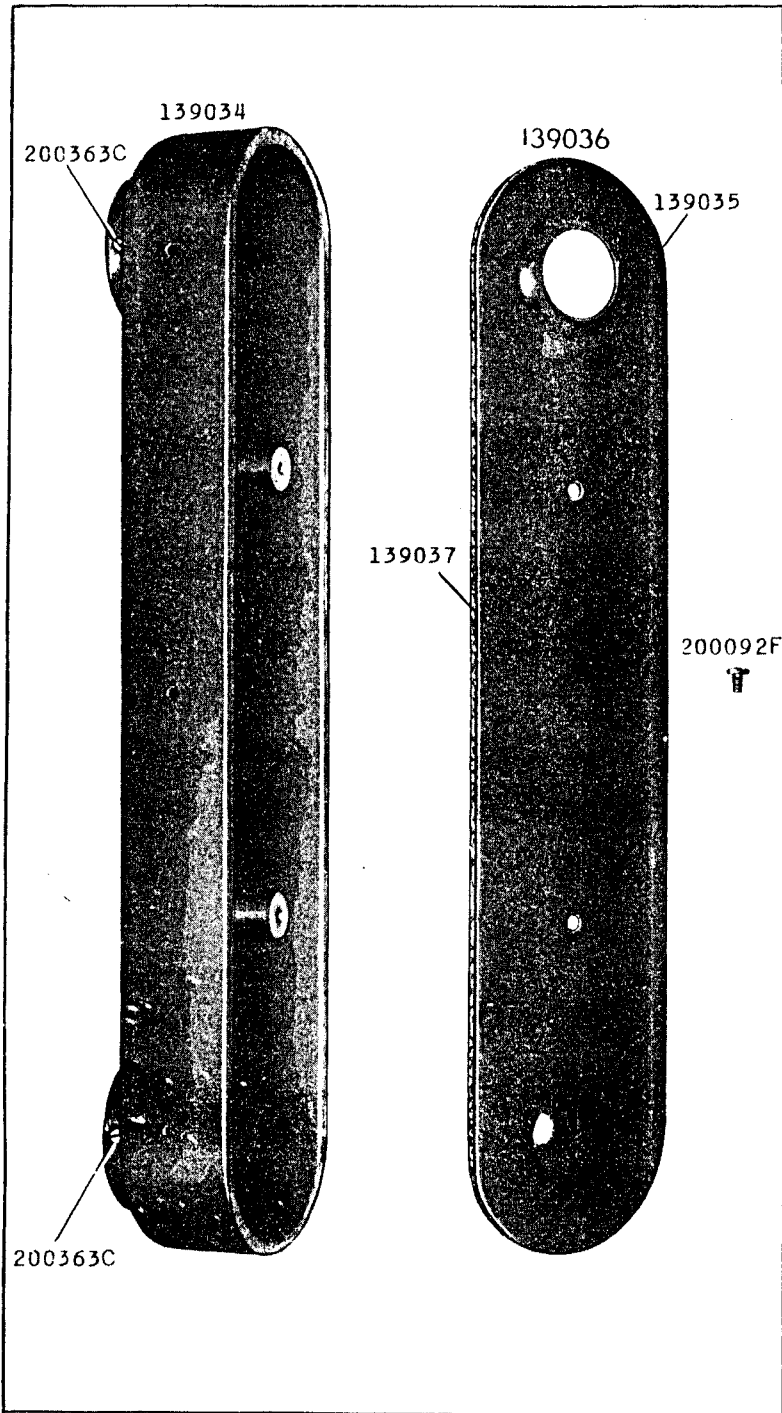
150662



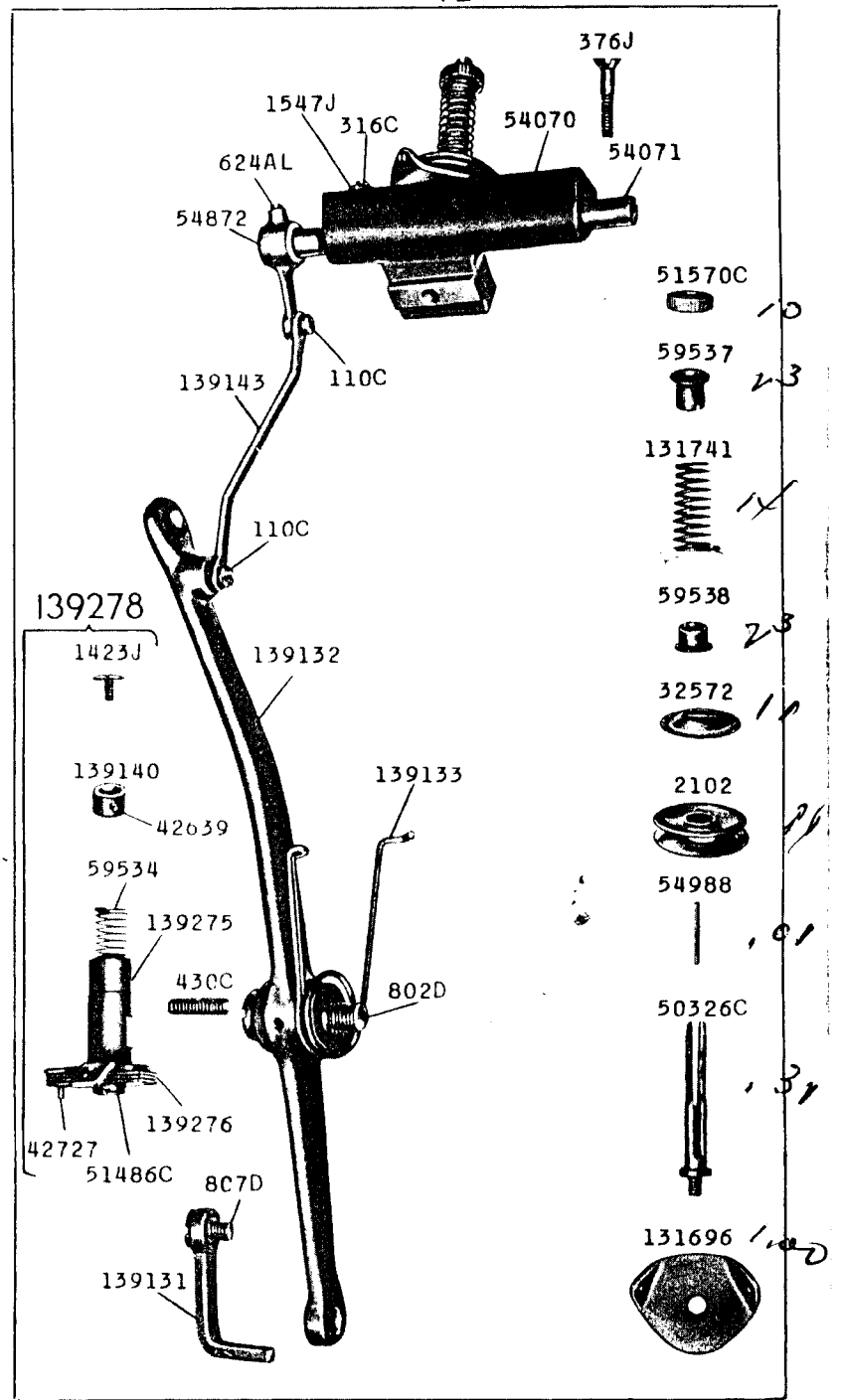
23097 - 1/2



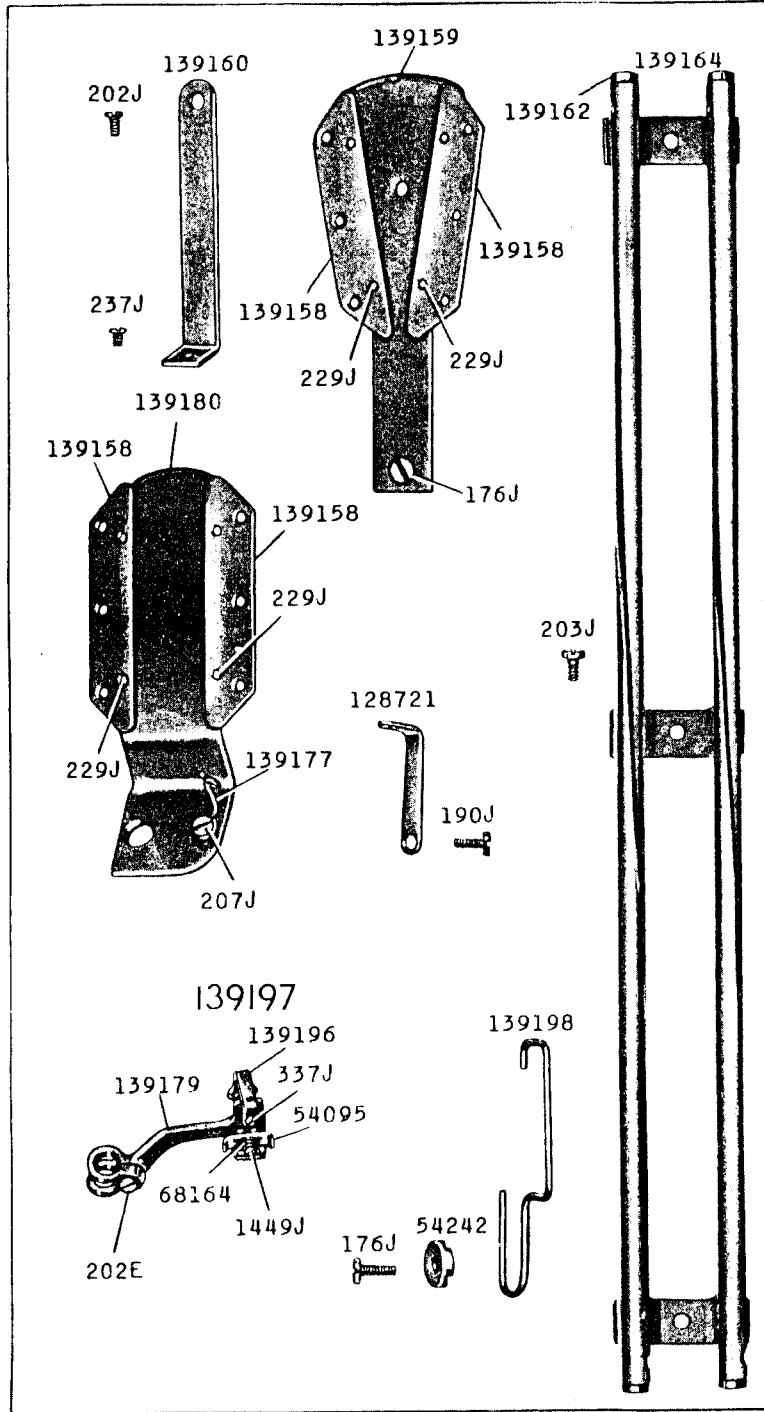
23111 - 1/3



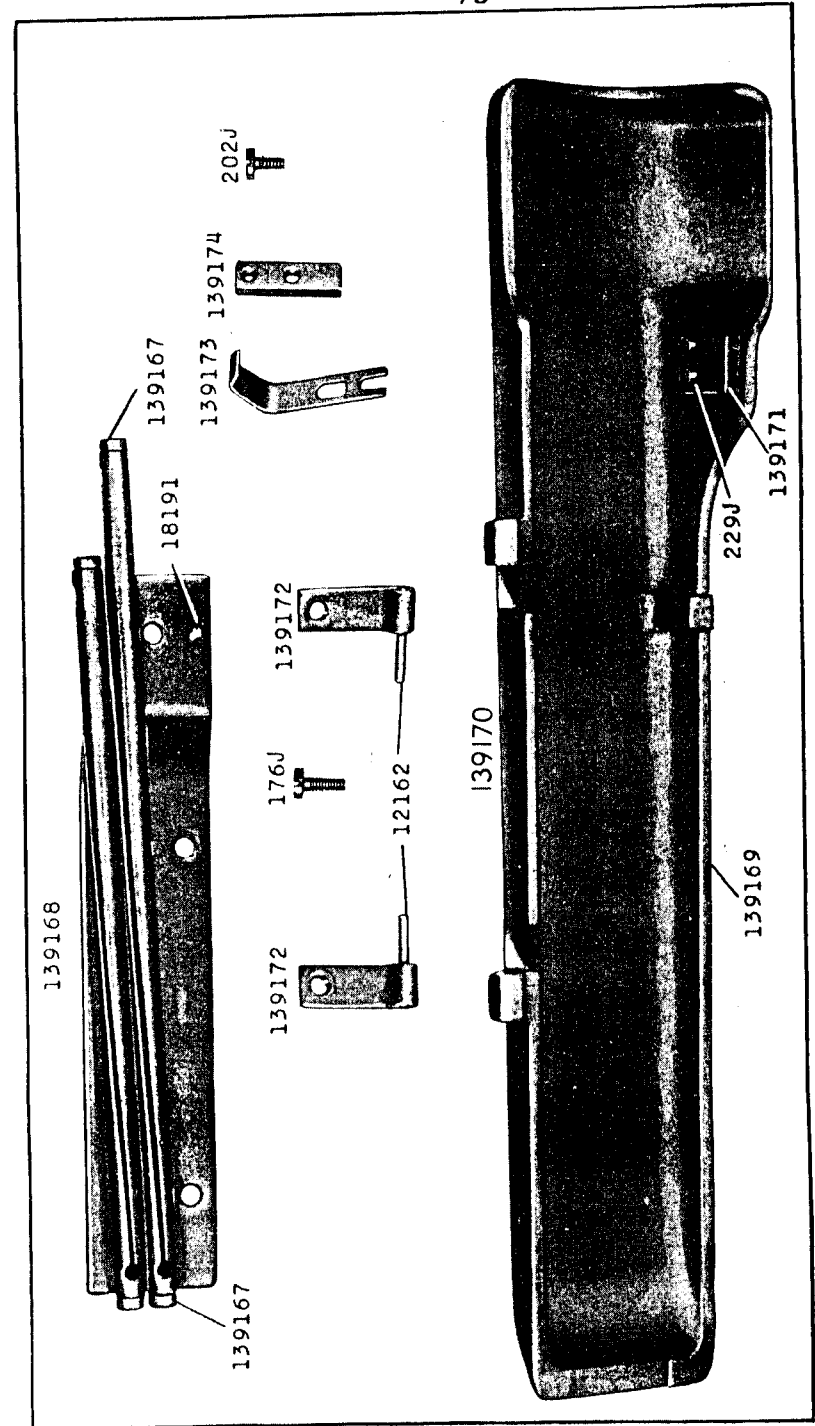
23118 - 1/2



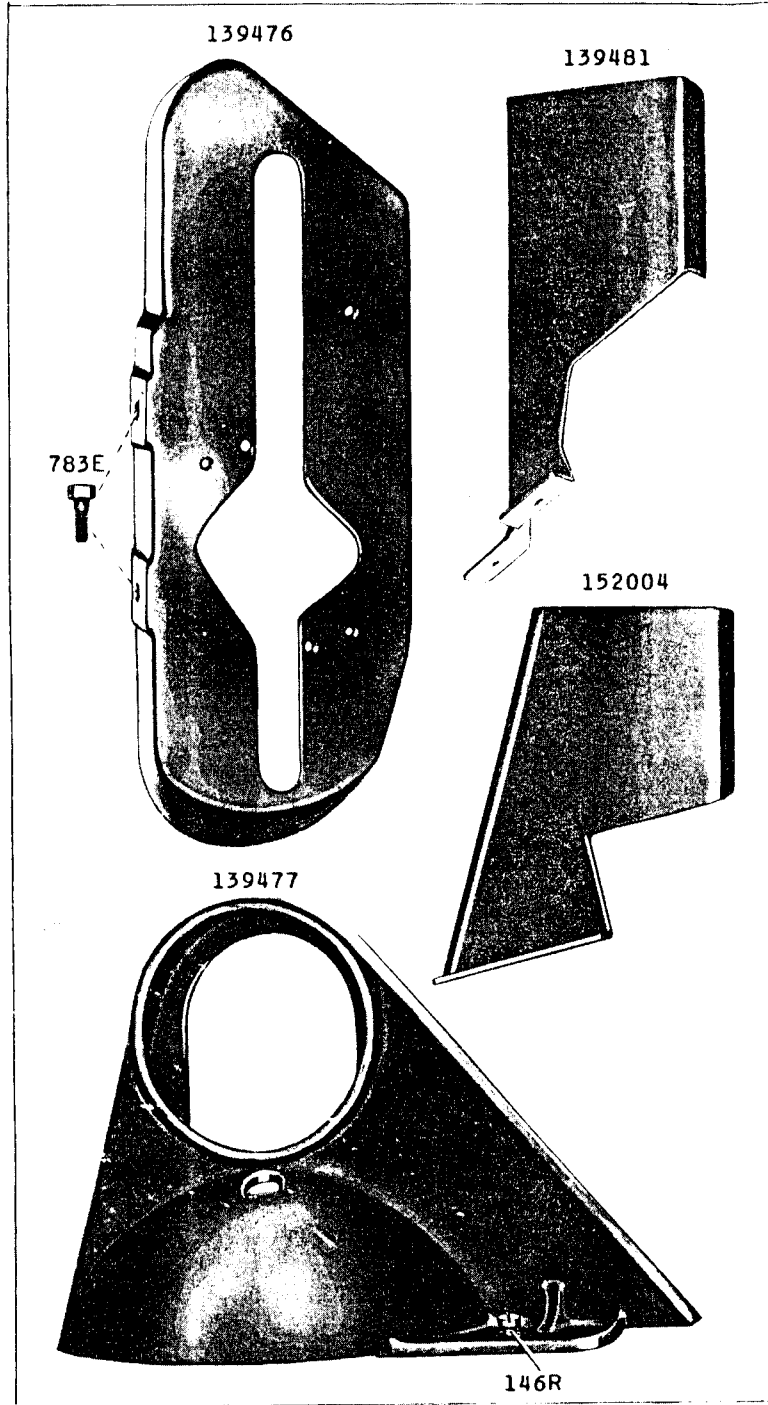
23119 - 1/2



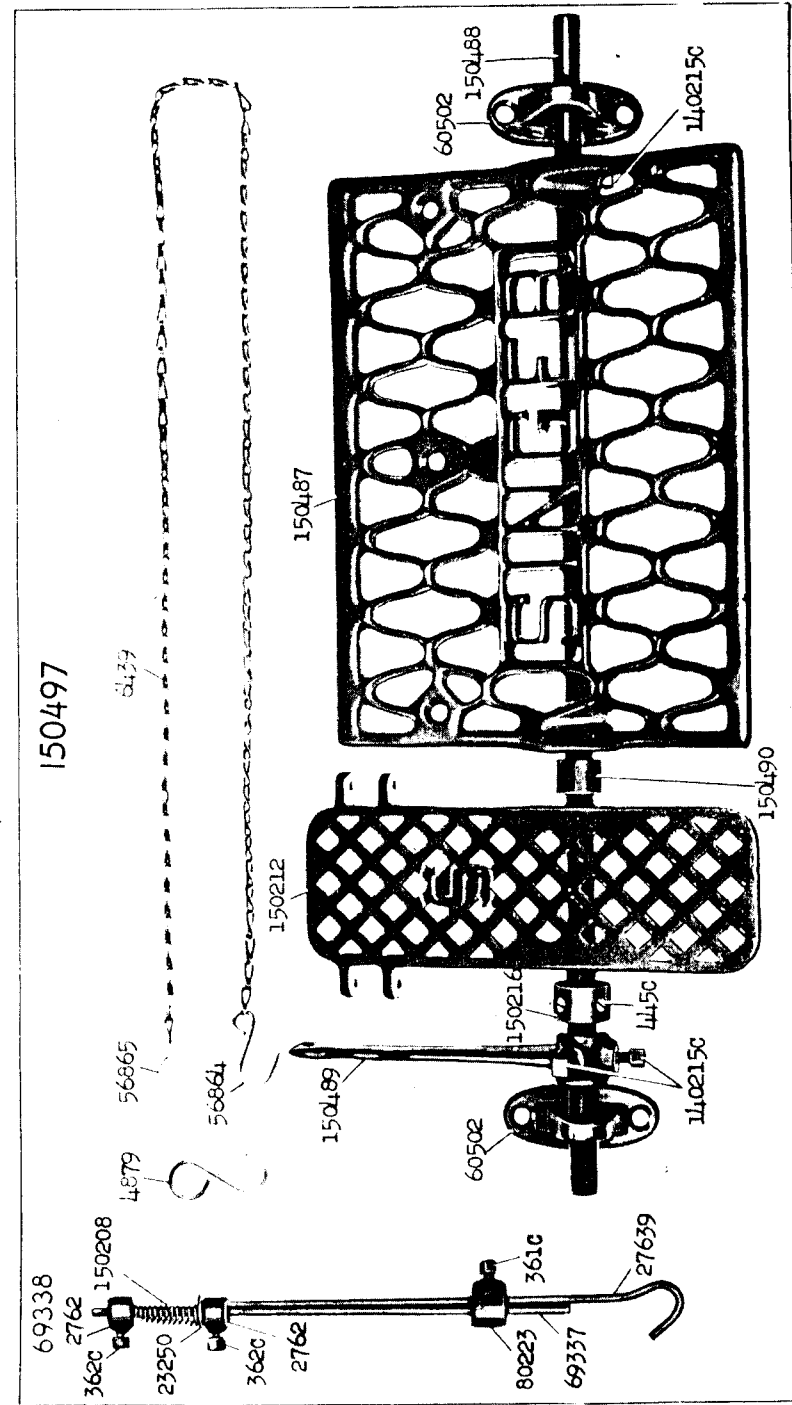
23120 - 2/3

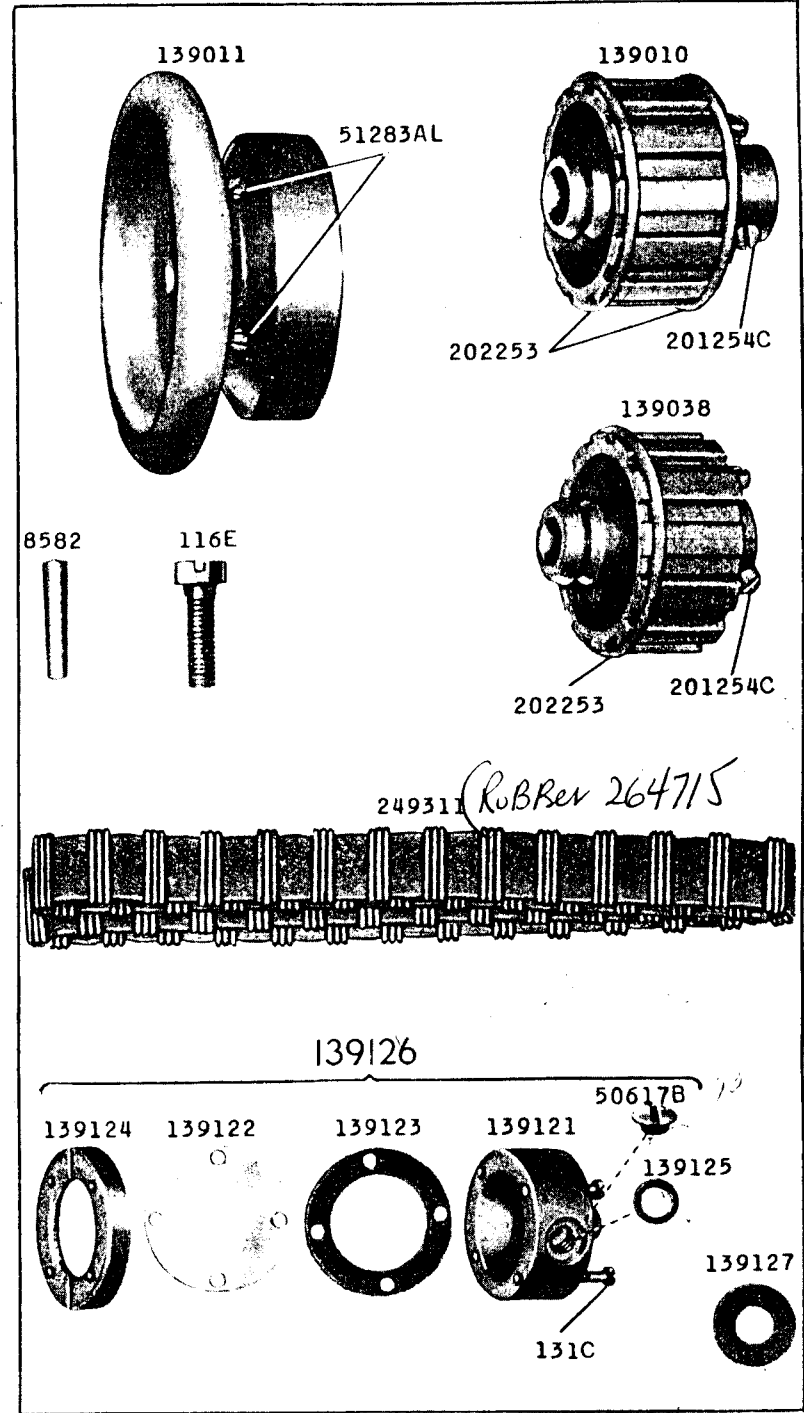
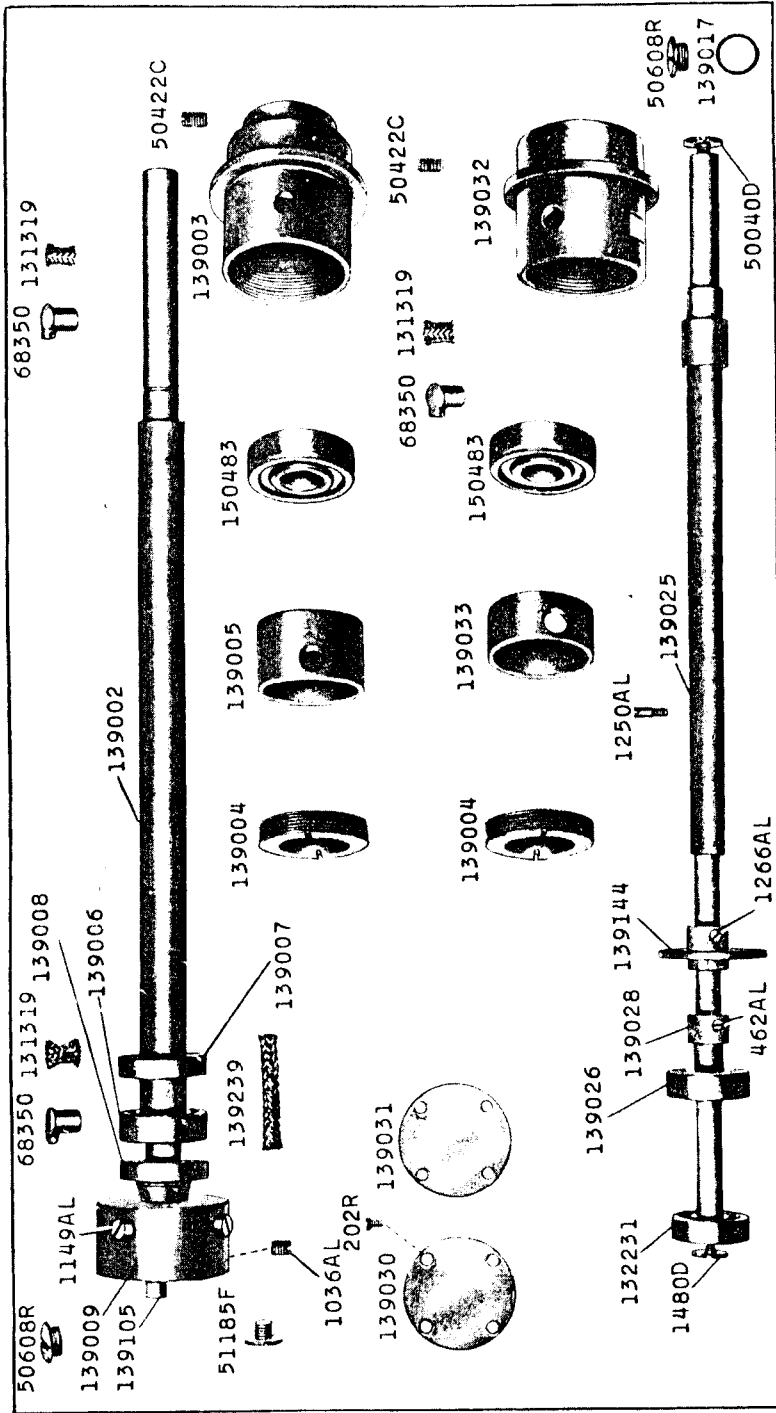


23122 - 1/4

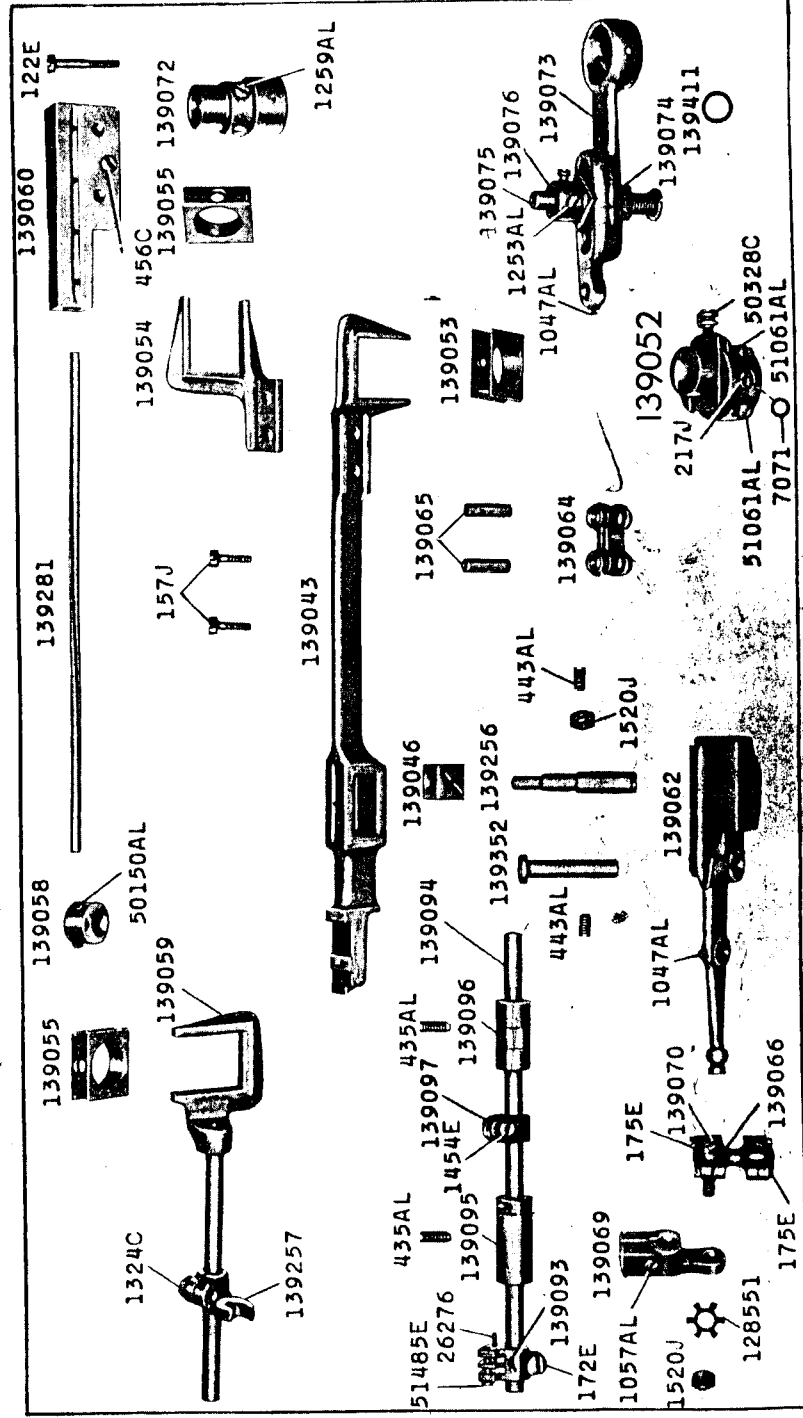
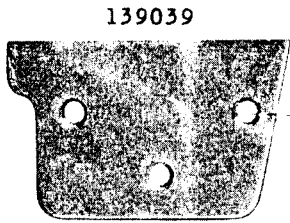
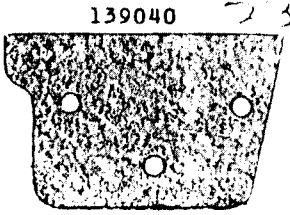
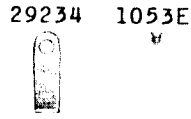
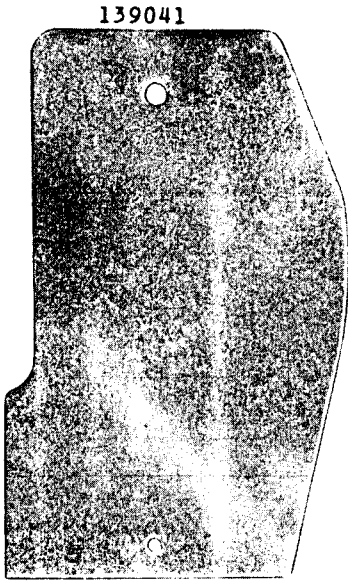


23123 - 1/4





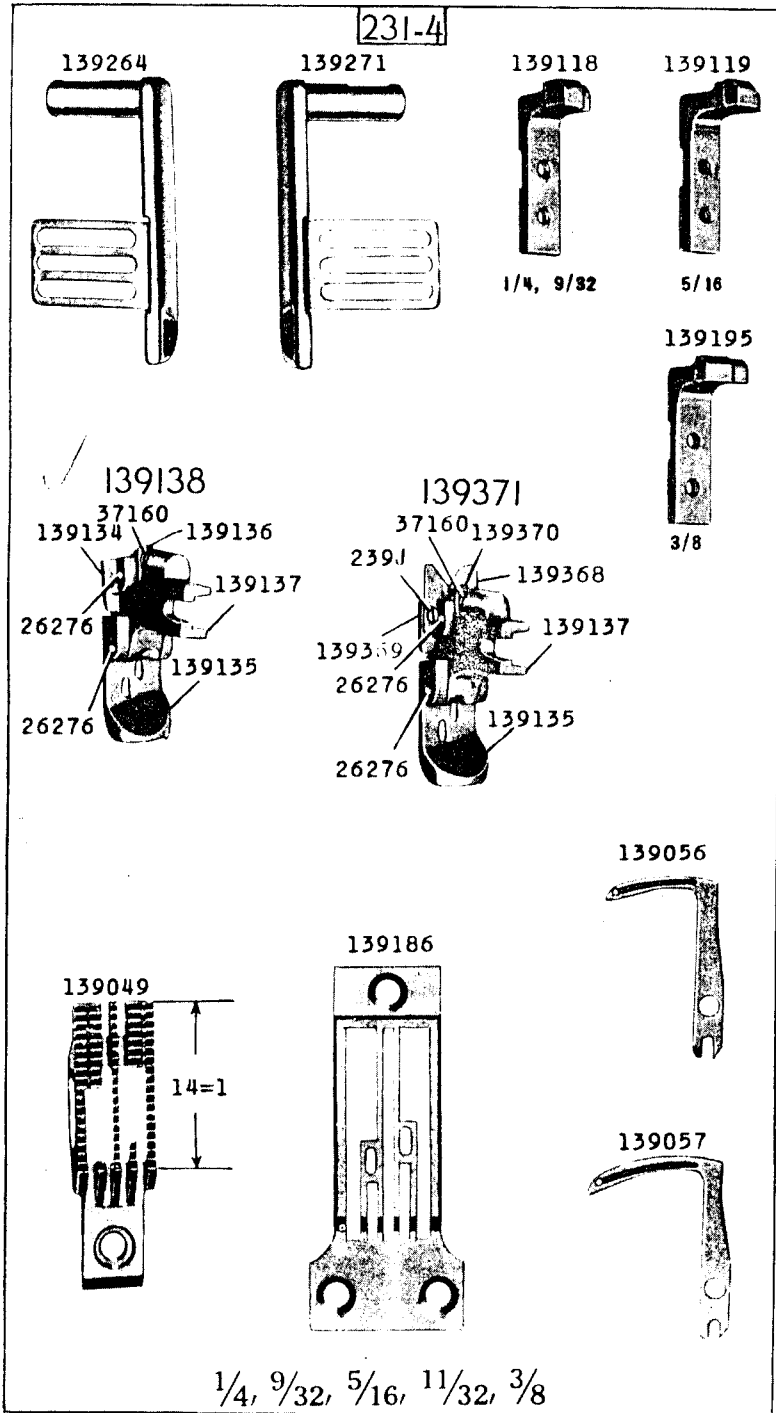




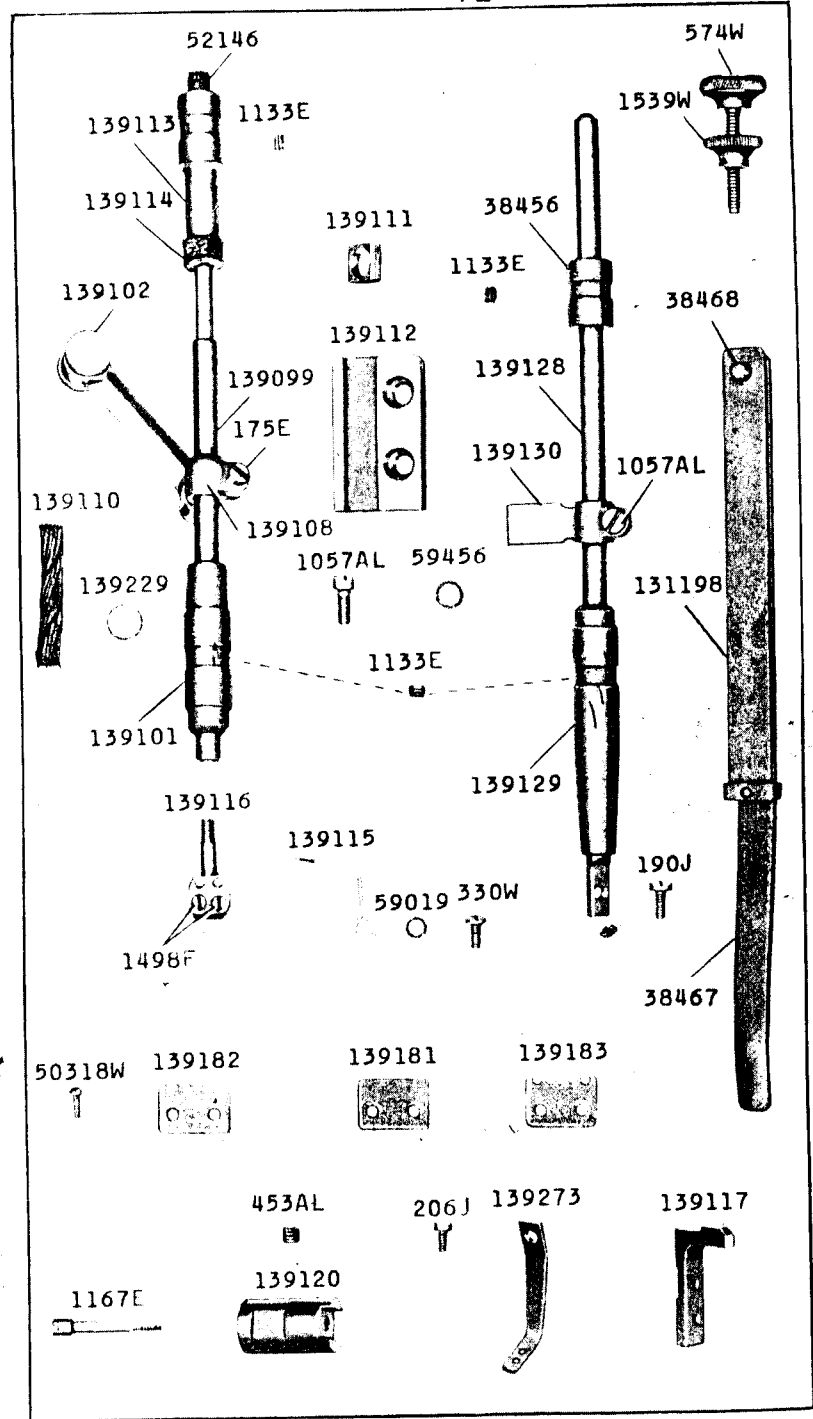


23130 - 2/3

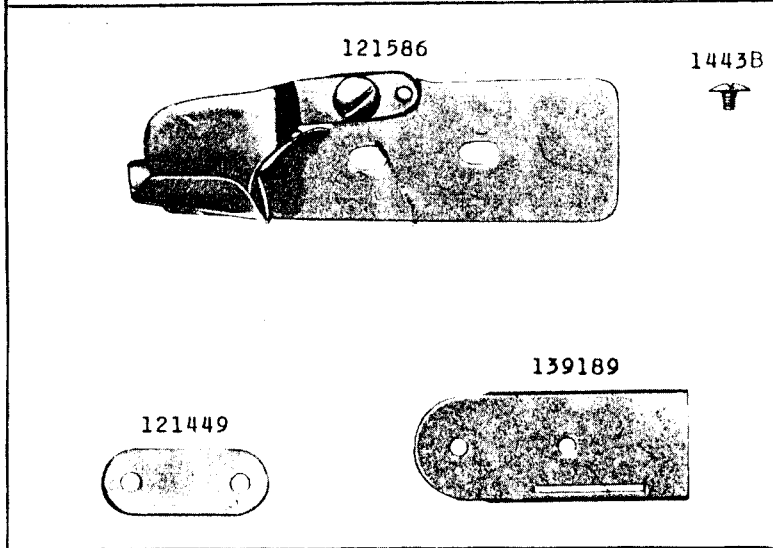
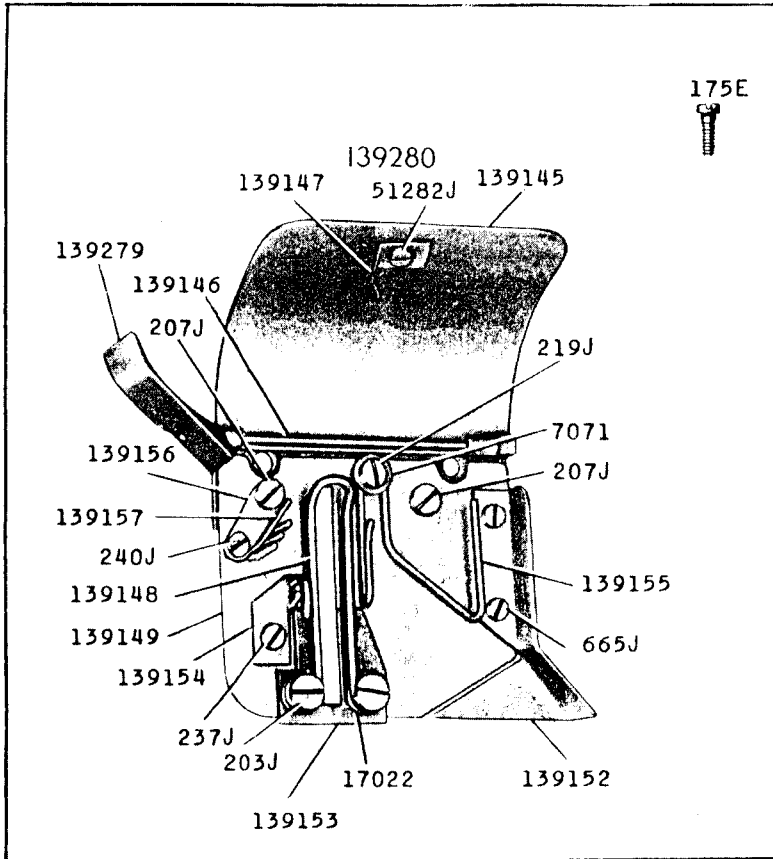
231-4



23131 - 1/2

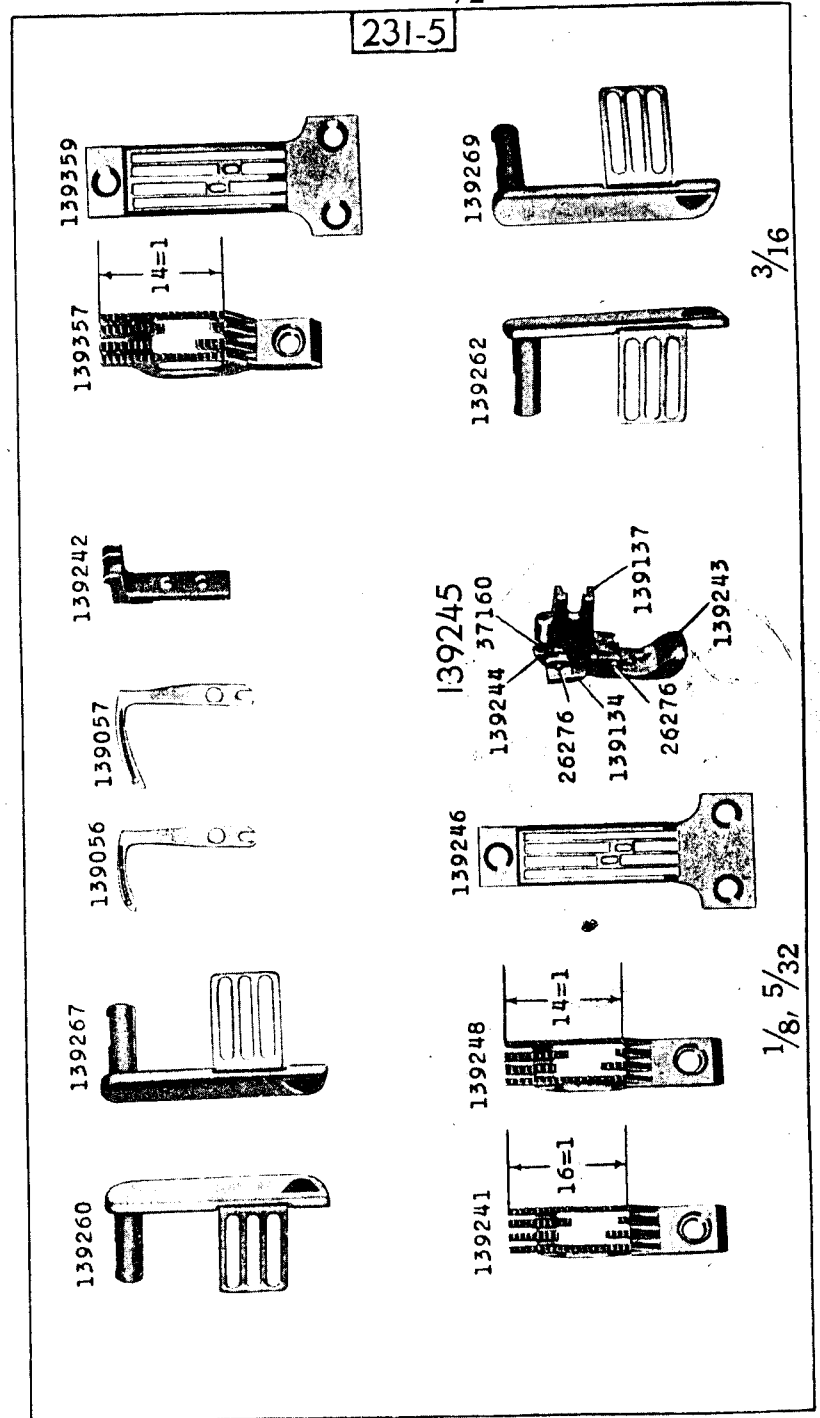


23132 - 2/3



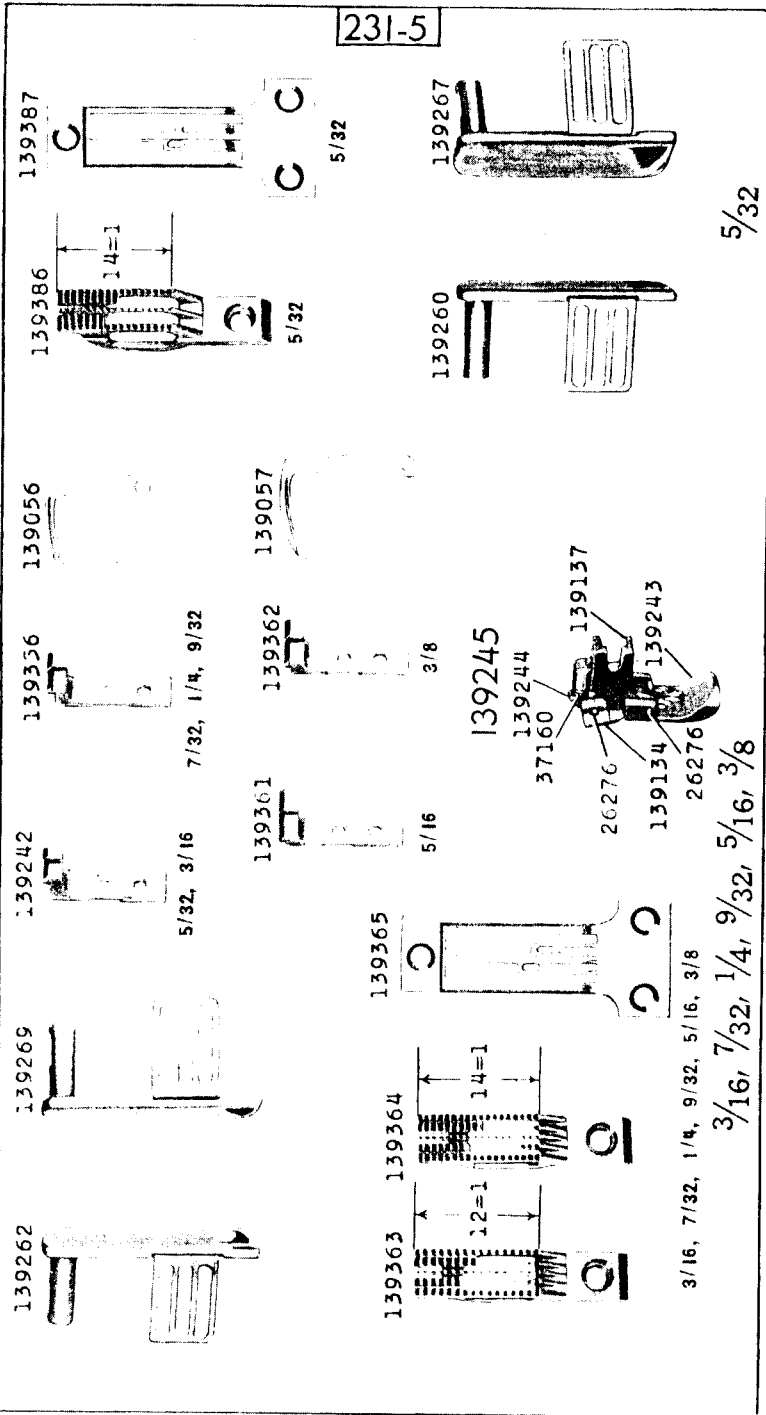
23133 - 1/2

231-5



23134 - 1/2

231-5



23135 - 1/6

