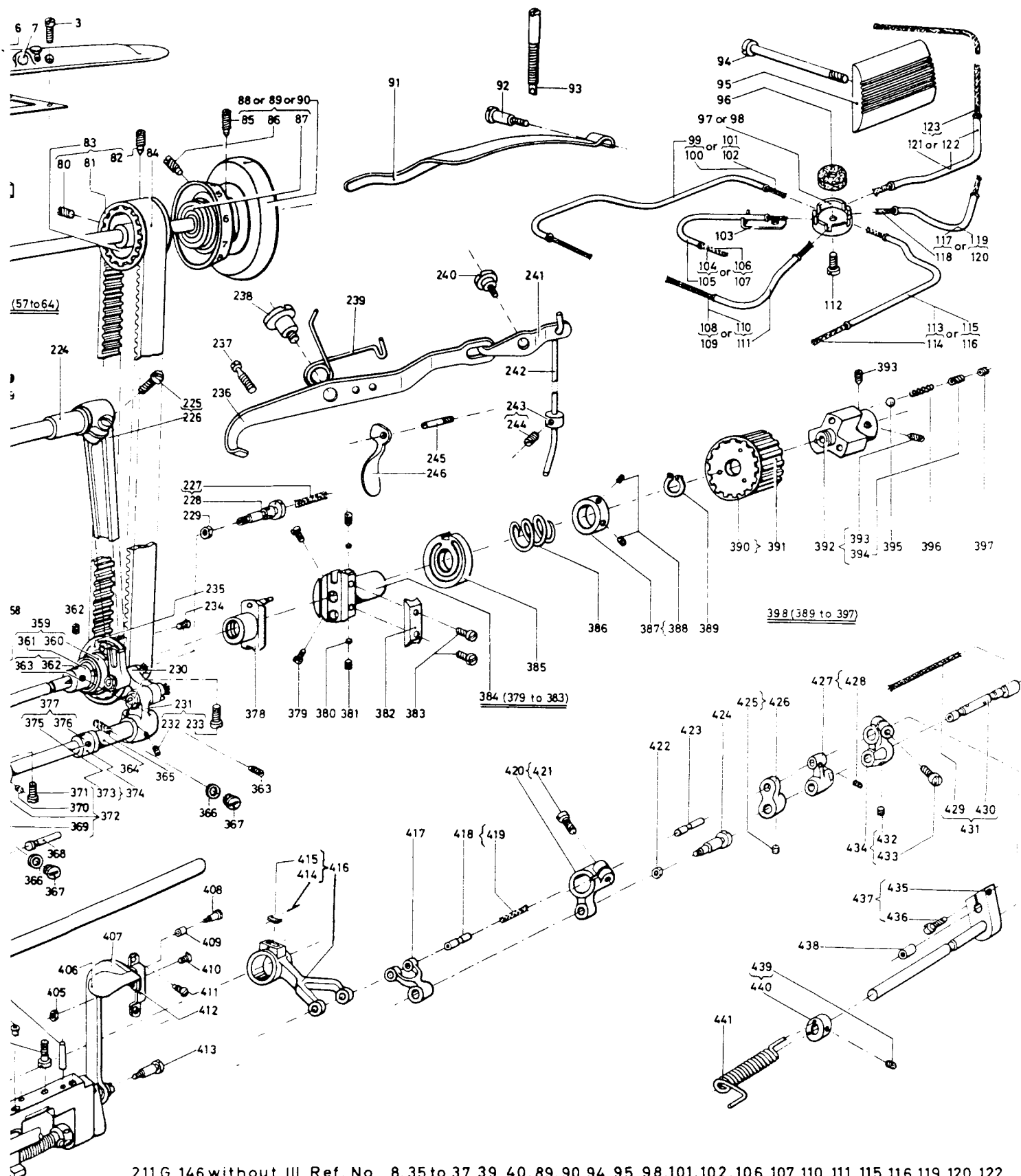


SINGER
211G146,G151,G157



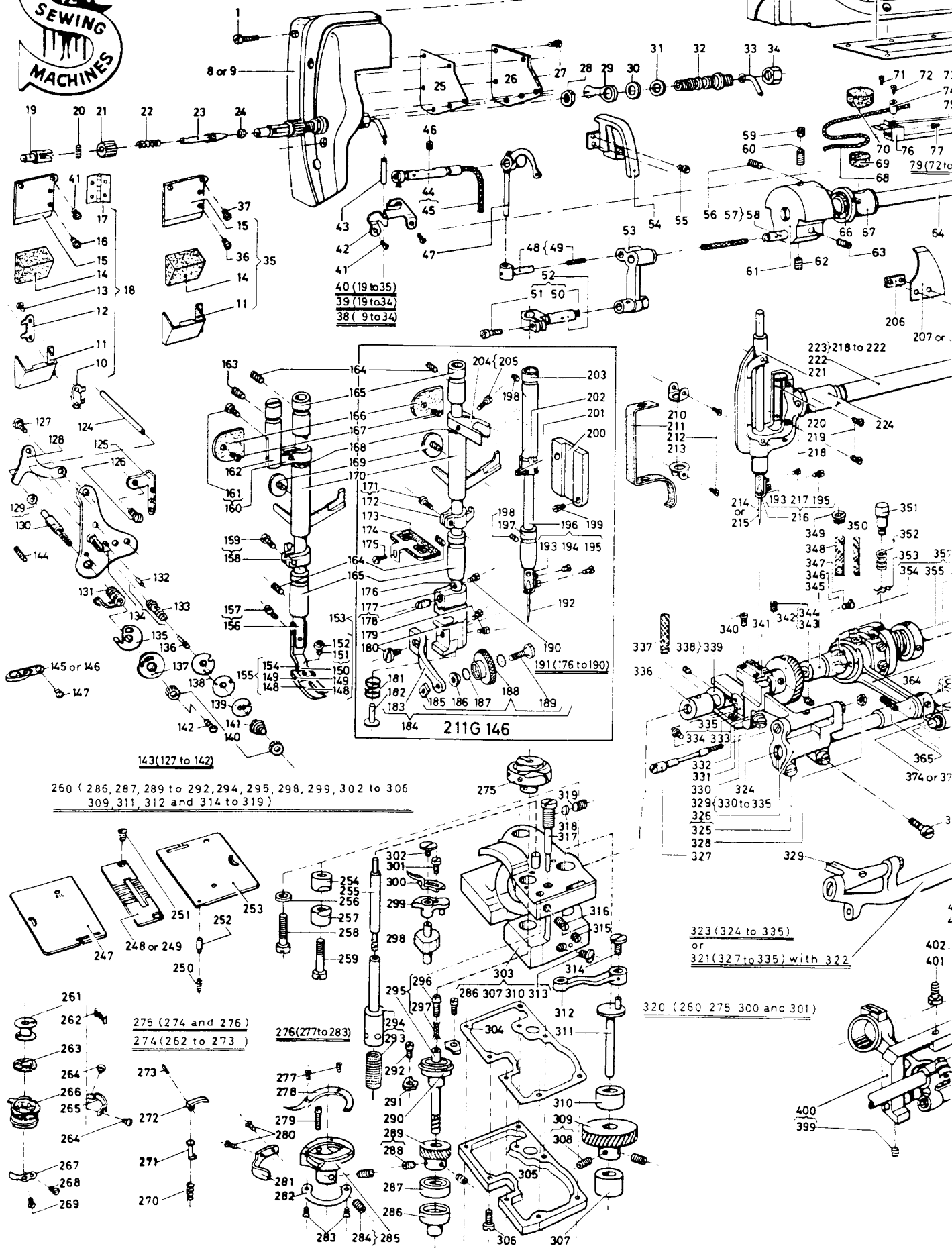
- 211 G 146 without Ill. Ref. No. 8, 35 to 37, 39, 40, 89, 90, 94, 95, 98, 101, 102, 106, 107, 110, 111, 115, 116, 119, 120, 122, 145, 148 to 163, 210 to 233, 249, 323 to 326, 341, 375 to 377, 399 to 441
- 211 G 151 without Ill. Ref. No. 9, 10, 12, 13, 16 to 18, 38, 39, 41 to 43, 88, 90, 101, 102, 106, 107, 110, 111, 115, 116, 119, 120, 122, 146, 154, 155, 171 to 192, 194, 196 to 205, 207, 248, 321, 322, 341, 375 to 377, 399 to 441
- 211 G 157 without Ill. Ref. No. 9, 35 to 38, 88, 89, 97, 99, 100, 104, 105, 108, 109, 113, 114, 117, 118, 121, 146, 150 to 153, 171 to 192, 194, 196 to 205, 207, 248, 321, 322, 341, 354 to 357, 368 to 374

SINGER 211G 146, 211G 151, 211G 157
 Copyright © 1966 by THE SINGER COMPANY Form 30-290 G (Rev. 766) Printed in WESTERN GERMANY



THE SINGER COMPANY

* A Trademark of THE SINGER COMPANY



40 (19 to 35)
39 (19 to 34)
38 (9 to 34)

211G 146

143 (127 to 142)

260 (286, 287, 289 to 292, 294, 295, 298, 299, 302 to 306
309, 311, 312 and 314 to 319)

323 (324 to 335)
or
321 (327 to 335) with 322

320 (260 275 300 and 301)

275 (274 and 276)
274 (262 to 273)

276 (277 to 283)

- 261
- 262
- 263
- 264
- 265
- 266
- 267
- 268
- 269

- 270
- 271
- 272
- 273

- 277
- 278
- 279
- 280
- 281
- 282
- 283
- 284
- 285

- 286
- 287
- 288
- 289
- 290
- 291
- 292
- 293
- 294
- 295
- 296
- 297
- 298
- 299
- 300
- 301
- 302

- 303
- 304
- 305
- 306
- 307
- 308
- 309
- 310
- 311
- 312
- 313
- 314
- 315
- 316

- 317
- 318
- 319
- 320
- 321
- 322
- 323
- 324
- 325
- 326
- 327
- 328
- 329
- 330
- 331
- 332
- 333
- 334
- 335

- 336
- 337
- 338
- 339
- 340
- 341
- 342
- 343
- 344
- 345
- 346
- 347
- 348
- 349
- 350
- 351
- 352
- 353
- 354
- 355

- 356
- 357
- 358
- 359
- 360
- 361
- 362
- 363
- 364
- 365
- 366
- 367
- 368
- 369
- 370
- 371
- 372
- 373
- 374
- 375

- 376
- 377
- 378
- 379
- 380
- 381
- 382
- 383
- 384
- 385
- 386
- 387
- 388
- 389
- 390
- 391
- 392
- 393
- 394
- 395

- 396
- 397
- 398
- 399
- 400
- 401
- 402

ACCESSORIES FOR 211G 146/151/157

