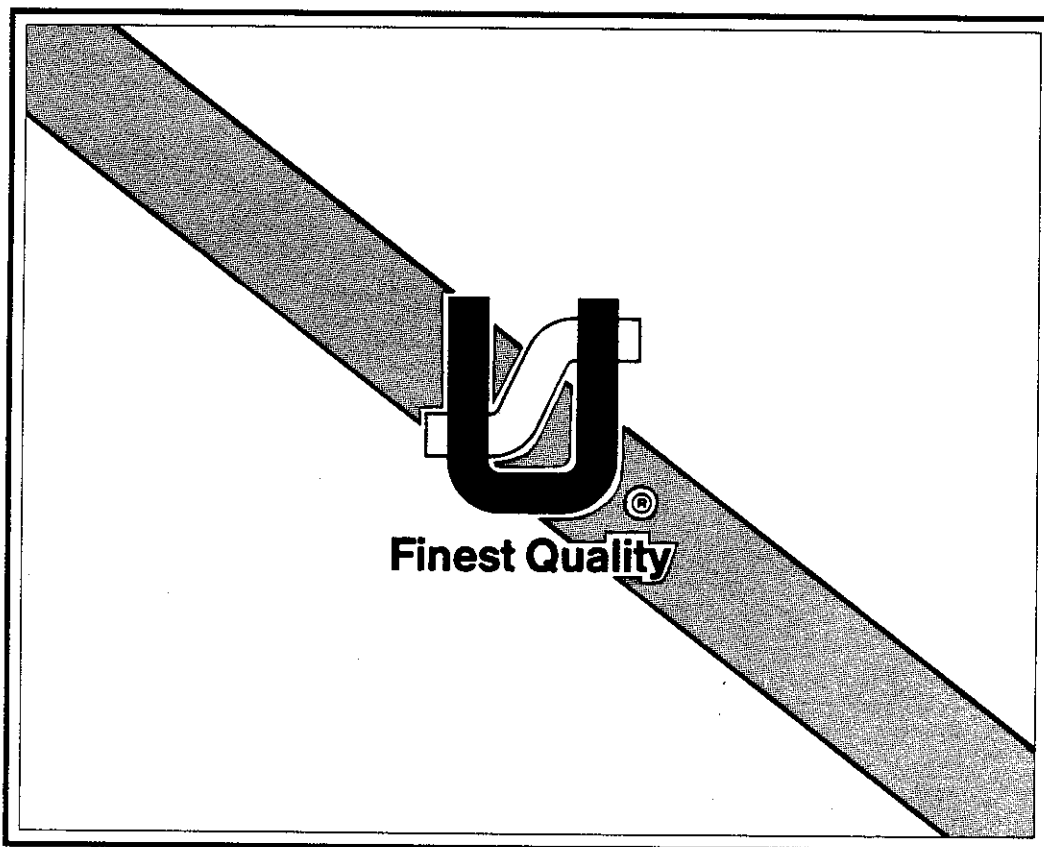

Union Special
INDUSTRIAL SEWING EQUIPMENT

CV-900 CLASS

PRT-9106 Parts Manual



PRT-9106
Parts Manual
for the
CV900 Series

First Edition
Copyright 1991

by
Union Special Corporation
Rights Reserved In All Countries

Printed in U.S.A.
June, 1991

PREFACE

This parts manual has been prepared and can be used in conjunction with Union Special Adjusting Manual INS-9105.

It is the desire of Union Special that each machine run at it's optimum performance. Parts listed in this manual are designed specifically for your machine and are manufactured with utmost precision to assure long lasting service.

This manual has been made on the basis of available information. Changes in design and/or improvements may incorporate a slight modification of configuration in illustrations or part numbers.

On the following pages will be found illustrations and terminology used in describing the parts used on the CV900 series machines.

SAFETY RULES



CAUTION!

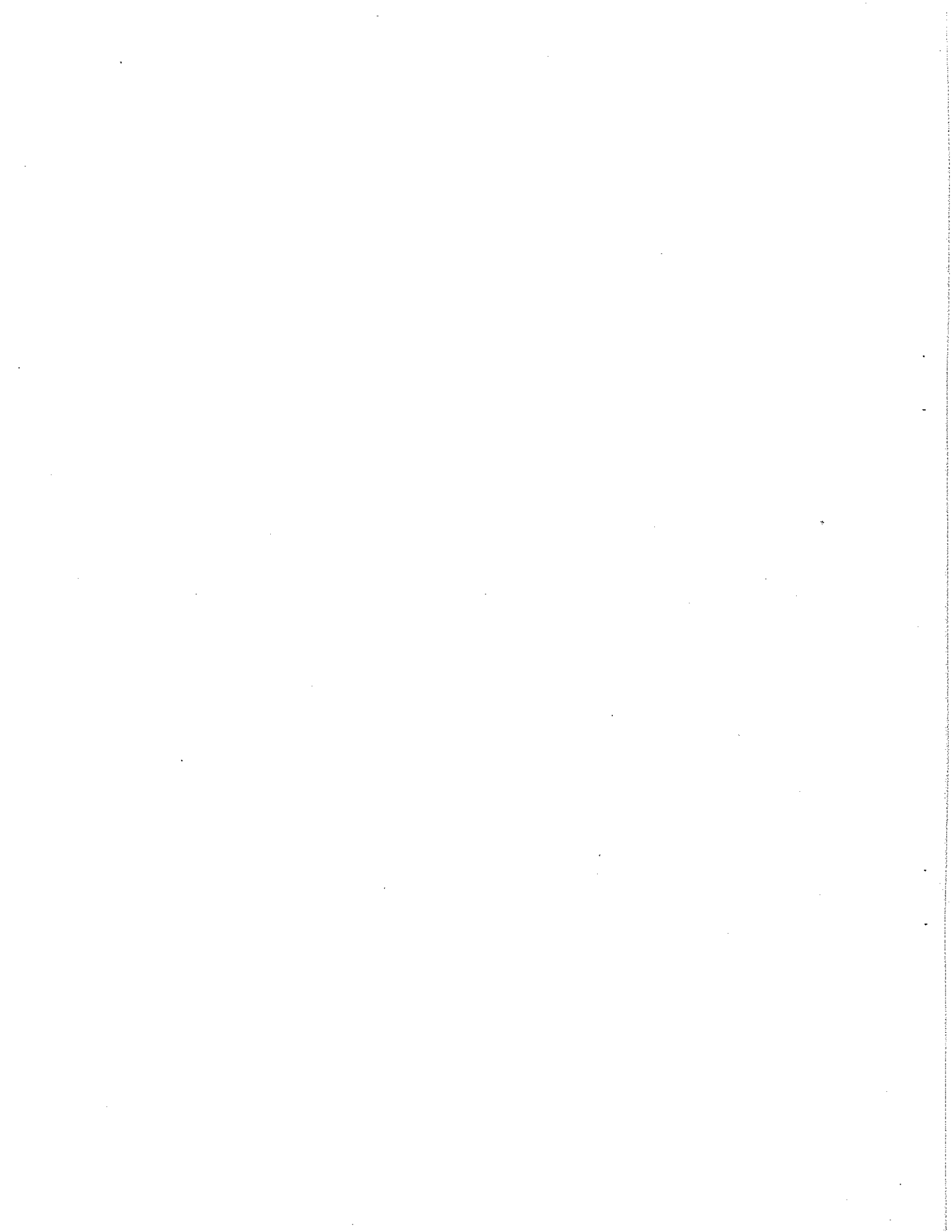
THIS SYMBOL INDICATES YOUR PERSONAL SAFETY IS INVOLVED.

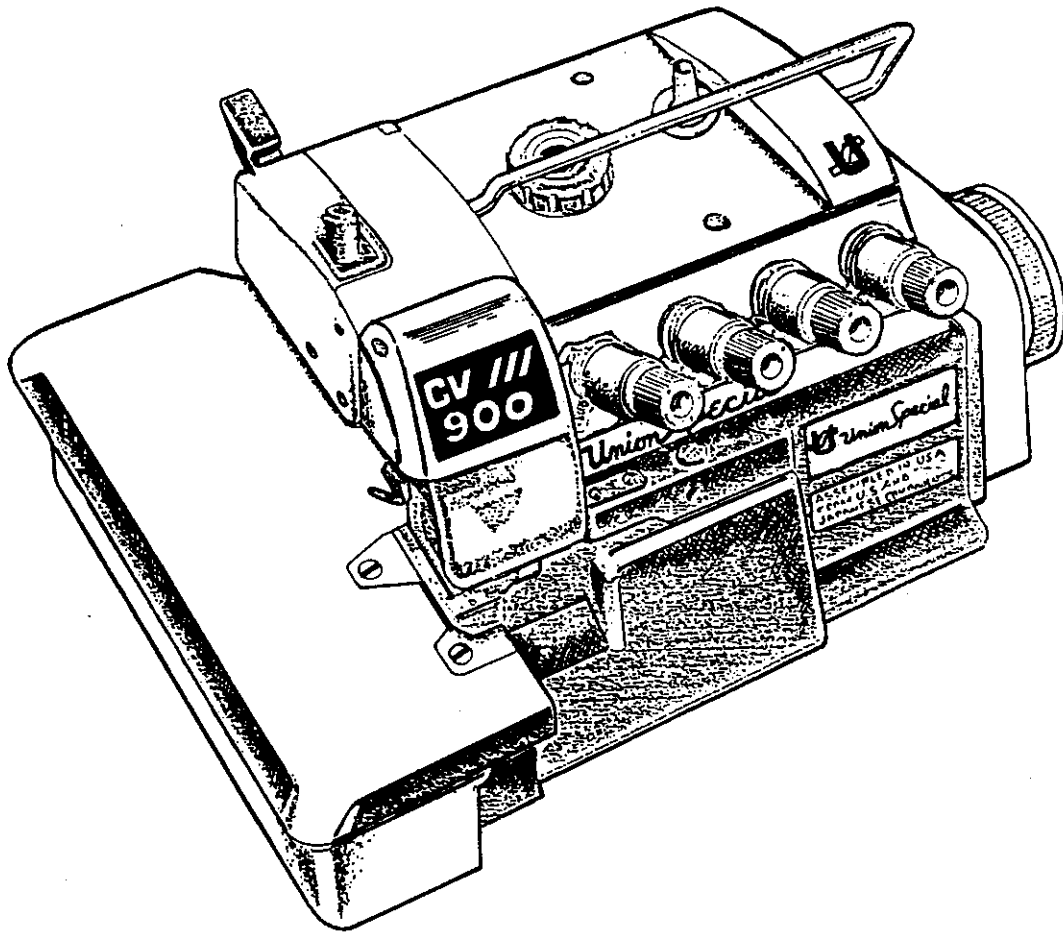
TO PREVENT PERSONAL INJURY:

- All power sources to the machine **MUST** be **TURNED OFF** before threading, oiling, adjusting, or replacing parts.
- Wear safety glasses.
- All covers and guards **MUST** be in position before operating machine.
- **DO NOT** tamper with covers, guards, etc., while machine is in operation.

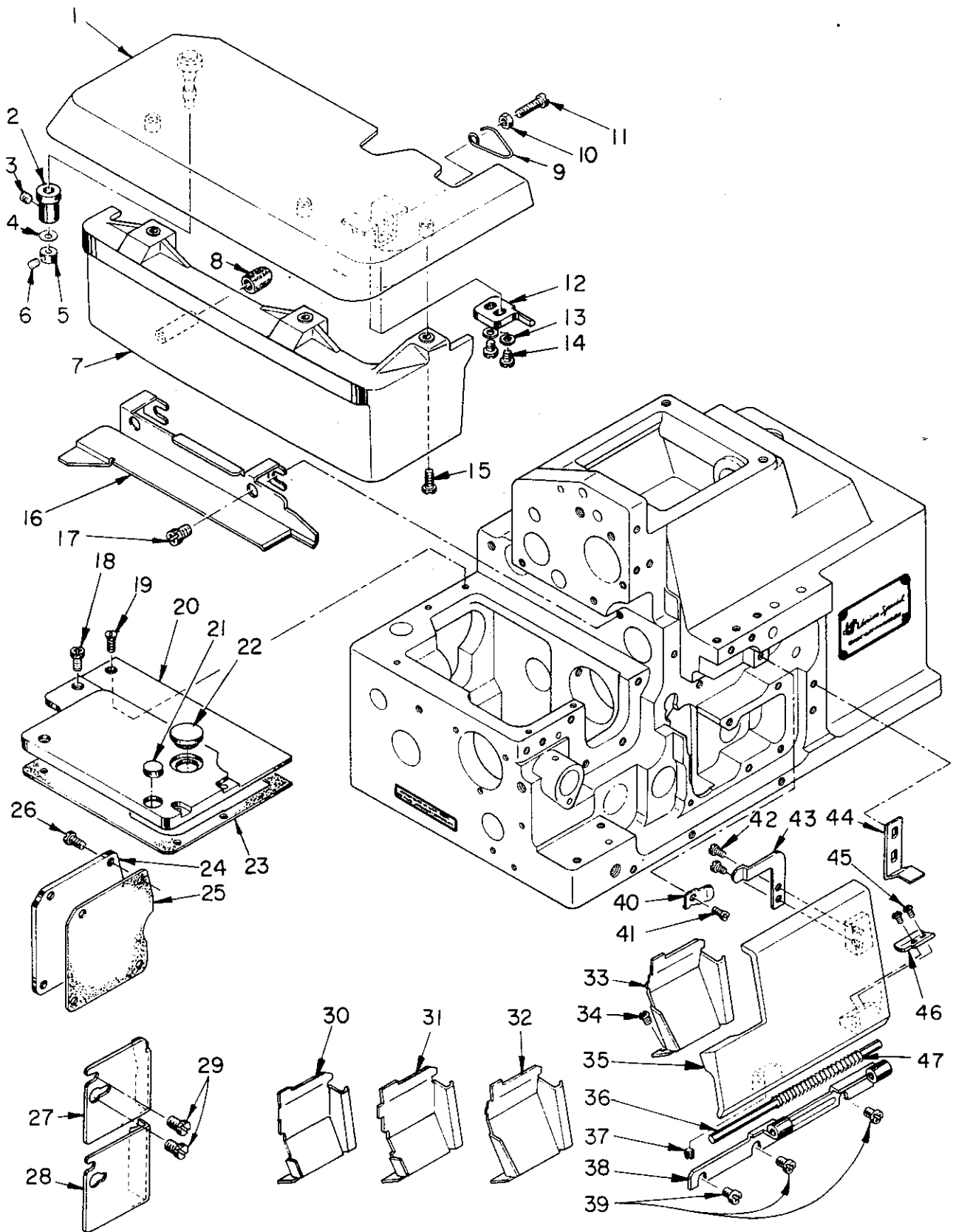
CONTENTS

| | | |
|----|---|----|
| 1 | Miscellaneous Covers & Cloth Plate | 9 |
| 2 | Miscellaneous Covers & Main Frame | 11 |
| 3 | Crankshaft Mechanism & Bushings | 13 |
| 4 | Needle Drive, Needle Head, Eyelet & Take-up Parts | 15 |
| 5 | Feed Rocker & Adjustable Feed Regulator Parts | 17 |
| 6 | Feed Dogs, Feed Bar & Differential Feed Parts | 19 |
| 7 | Feed Dogs, Feed Bar & Differential Feed Parts | 21 |
| 8 | Upper, Lower Looper Assemblies & Take-up Parts | 23 |
| 9 | Safety Stitch Looper Drive Parts | 24 |
| 10 | Presser Foot Lifting Lever Parts | 25 |
| 11 | Presser Foot Parts | 27 |
| 12 | Thread Tension Parts | 29 |
| 13 | Throat Plate Support Lower Knife & Needle Guard Parts | 31 |
| 14 | Upper Knife Driving Parts | 32 |
| 15 | Needle Cooler Parts | 33 |
| 16 | Oil Pump Parts | 35 |
| 17 | Semi-Submerged Tabling | 36 |
| 18 | Fully-Submerged Tabling | 37 |
| 19 | Thread Stands | 38 |
| 20 | Miscellaneous Parts | 39 |
| 21 | Classification Guide | 40 |
| 22 | Index | 41 |



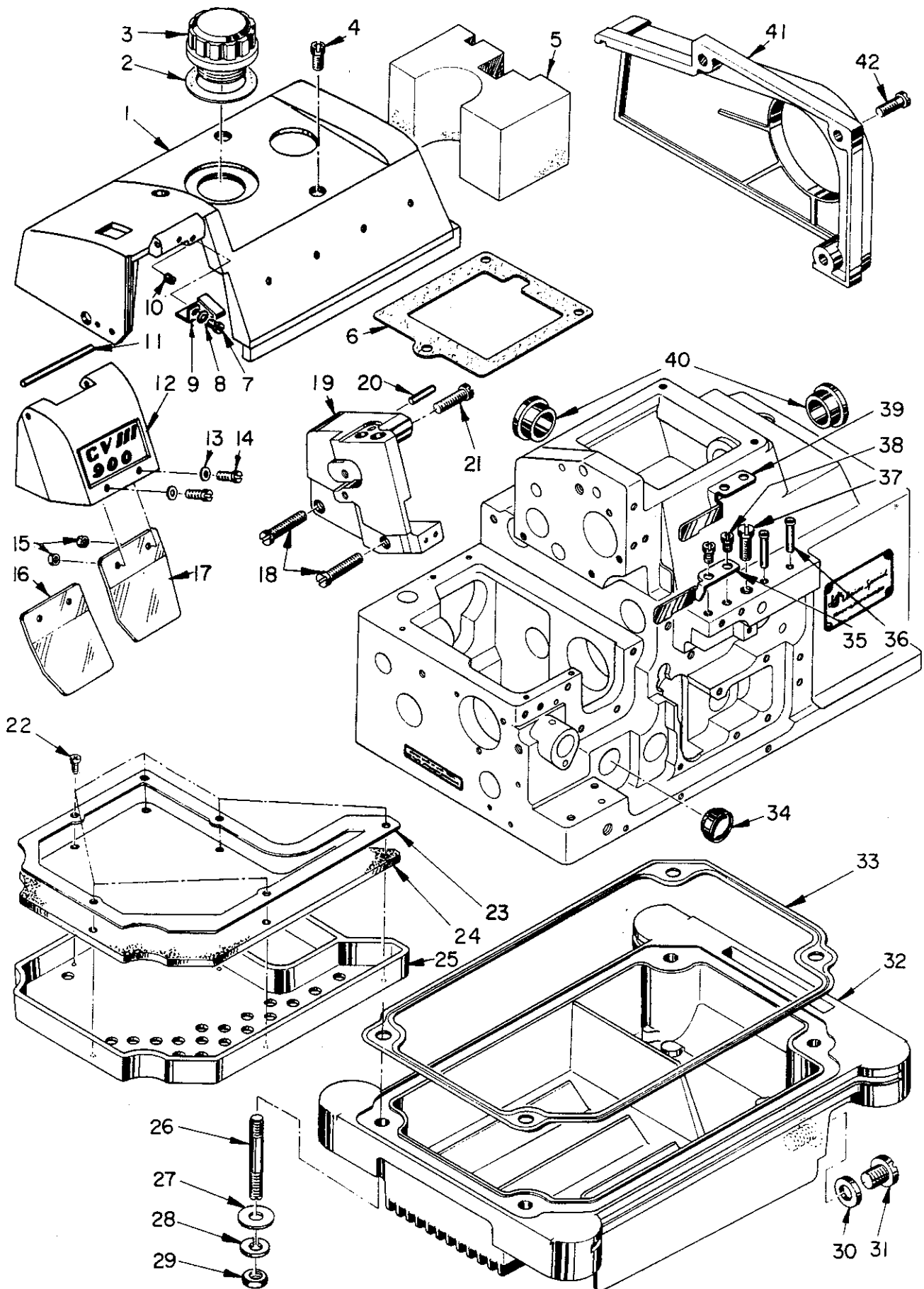


**EXPLODED VIEWS
AND
DESCRIPTION OF PARTS**



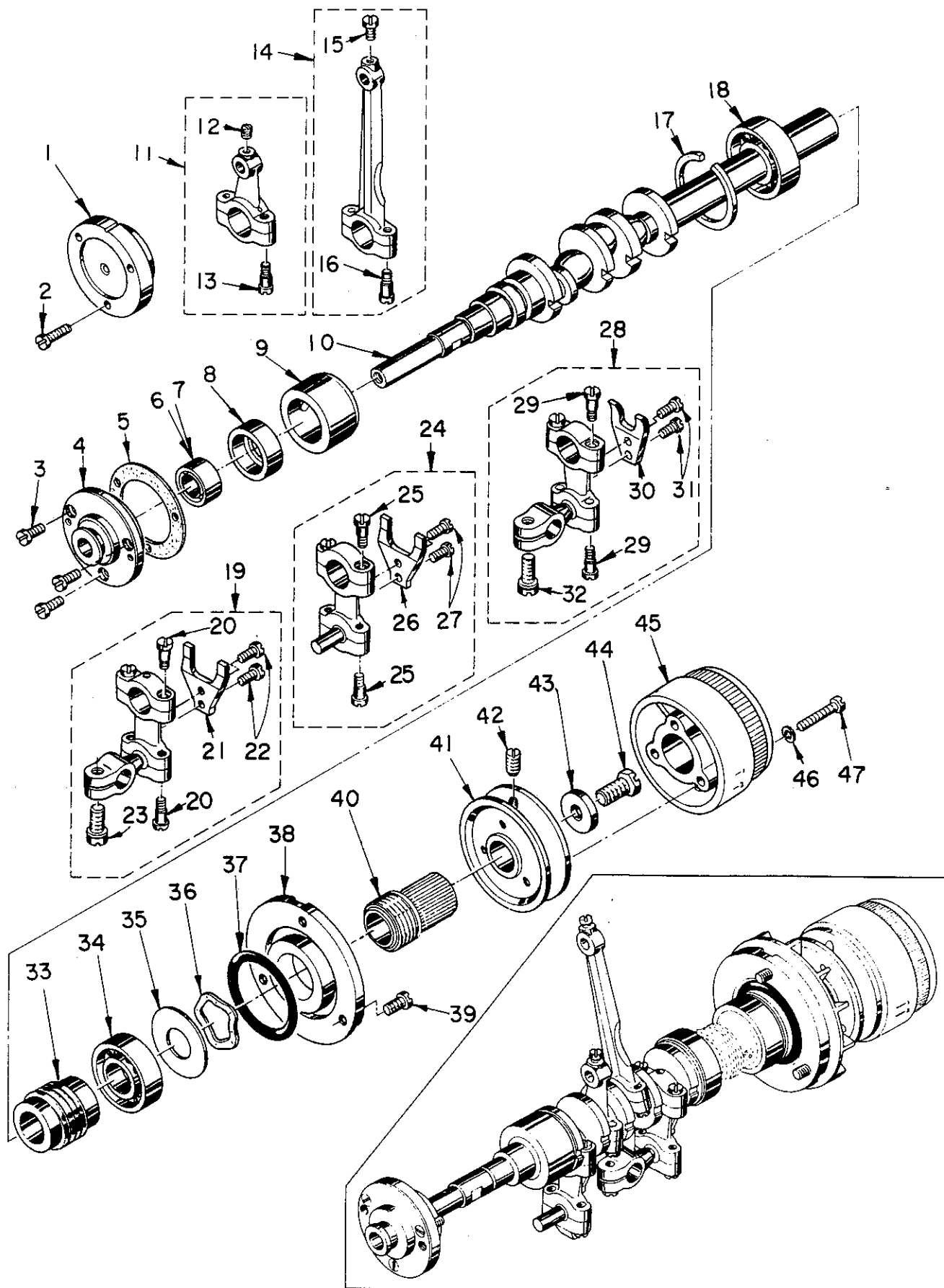
MISCELLANEOUS COVERS & CLOTH PLATE

| REF. NO. | PART NO. | DESCRIPTION | AMT. REQ. |
|----------|----------|--|-----------|
| 1 | U94101 | Cloth Plate Assembly..... | 1 |
| 2 | U94101B | Eccentric Bushing | 1 |
| 3 | U94185 | Screw, for eccentric bushing | 1 |
| 4 | U94188 | Disc Spring | 1 |
| 5 | U94101C | Thrust Collar | 1 |
| 6 | U94185A | Screw, for thrust collar | 1 |
| 7 | U94101D | Cloth Plate Shield | 1 |
| 8 | U94169 | Rubber Plug | 1 |
| 9 | U94101E | Spring | 1 |
| 10 | U94187 | Nut | 1 |
| 11 | U94185B | Screw | 1 |
| 12 | U94101F | Positioner | 1 |
| 13 | U94188A | Washer | 2 |
| 14 | U94185C | Screw, for positioner | 2 |
| 15 | U94185D | Screw, for cloth plate shield | 3 |
| 16 | U94182 | Cloth Plate Side Cover | 1 |
| 17 | U94185E | Screw, for cloth plate side cover | 2 |
| 18 | U94185G | Screw, for feed mechanism cover | 6 |
| 19 | U94185F | Screw | 1 |
| 20 | U94182G | Feed Mechanism Top Cover | 1 |
| 21 | U94169A | Rubber Plug | 1 |
| 22 | U94169B | Rubber Plug..... | 1 |
| 23 | U94184 | Gasket, for feed mechanism top cover | 1 |
| 24 | U94182D | Rear Cover | 1 |
| 25 | U94184A | Gasket, for rear cover | 1 |
| 26 | U94185C | Screw, for rear cover | 4 |
| 27 | U94182K | Chip Guard Cover, Style 904, 914 | 1 |
| 28 | U94182L | Chip Guard Cover, Style 916 | 1 |
| 29 | U94185J | Screw, for chip guard cover | 2 |
| 30 | U94178C | Chip Guard, Style 916..... | 1 |
| 31 | U94178 | Chip Guard, Style 916 | 1 |
| 32 | U94178A | Chip Guard, Style 914 | 1 |
| 33 | U94178B | Chip Guard, Style 904 | 1 |
| 34 | U94185K | Screw, for chip guard | 2 |
| 35 | U94182E | Looper Cover | 1 |
| 36 | U94182M | Hinge Cover, for looper cover | 1 |
| 37 | U94185 | Screw | 1 |
| 38 | U94182N | Hinge Bracket, for looper cover | 1 |
| 39 | U94185C | Screw, for hinge bracket | 4 |
| 40 | U94182P | Presser Spring, for looper cover | 1 |
| 41 | U94185H | Screw, for presser spring | 1 |
| 42 | U94185R | Screw, for presser plate | 2 |
| 43 | U94182Y | Presser Plate, for looper cover | 1 |
| 44 | U94182R | Guide Plate, for looper cover | 1 |
| 45 | U94185R | Screw, for looper cover plate | 2 |
| 46 | U94182S | Looper Cover Plate | 1 |
| 47 | U94182T | Hinge Spring | 1 |



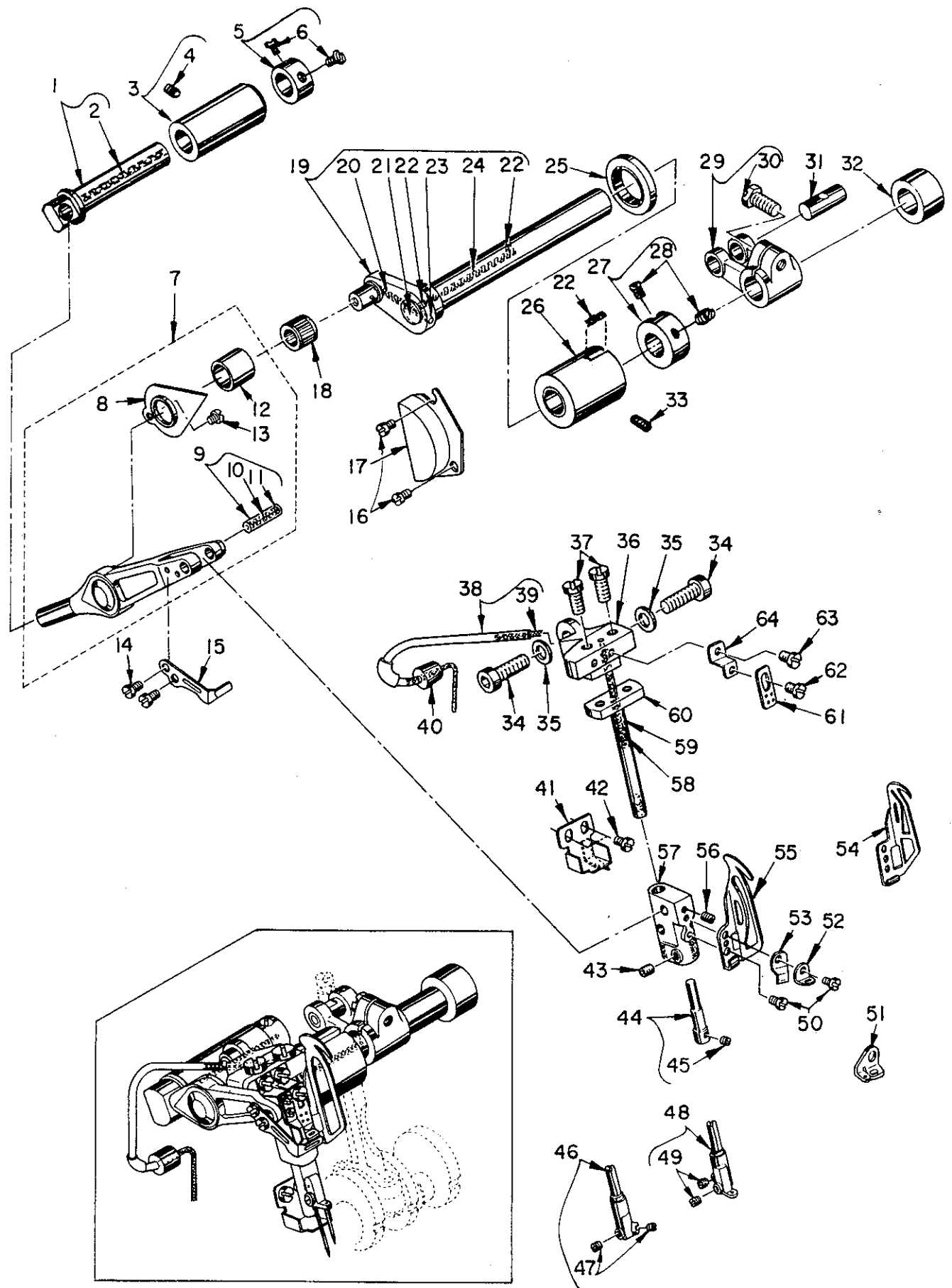
MISCELLANEOUS COVERS & MAIN FRAME

| REF. NO. | PART NO. | DESCRIPTION | AMT. REQ. |
|----------|----------|---|-----------|
| 1 | U94182A | Top Cover | 1 |
| 2 | U94184E | Gasket, for oil cap | 1 |
| 3 | U94193A | Oil Cap | 1 |
| 4 | U94185L | Screw, for top cover | 3 |
| 5 | U94182U | Sponge, for top cover | 1 |
| 6 | U94184B | Gasket, for top cover | 1 |
| 7 | U94185S | Screw, for face plate cover spring | 1 |
| 8 | U94188E | Washer | 1 |
| 9 | U94182W | Spring, for face plate cover | 1 |
| 10 | U94185T | Screw | 1 |
| 11 | U94182X | Pin, for face plate cover | 1 |
| 12 | U94182C | Face Plate Cover | 1 |
| 13 | U94188E | Washer | 2 |
| 14 | U94185G | Screw, for sewing guard | 2 |
| 15 | U94187A | Nut | 2 |
| 16 | U94196A | Sewing Guard, Style 916 | 1 |
| 17 | U94196 | Sewing Guard, Style 904, 912, 914 | 1 |
| 18 | U94185U | Screw, for presser arm housing | 1 |
| 19 | U94143 | Presser Arm Assembly Housing | 1 |
| 20 | U94169C | Roll Pin | 1 |
| 21 | U94185V | Screw | 1 |
| 22 | U94185X | Screw, for filter holder | 6 |
| 23 | U94193C | Presser Plate, for filter | 1 |
| 24 | U94193B | Filter | 1 |
| 25 | U94193D | Filter Holder | 1 |
| 26 | U94185Y | Stud Screw, for oil pan | 4 |
| 27 | U94188C | Washer | 4 |
| 28 | U94188D | Spring Washer | 4 |
| 29 | U94187B | Nut | 4 |
| 30 | U94184D | Gasket, for plug screw | 1 |
| 31 | U94185AA | Plug Screw | 1 |
| 32 | U94193E | Oil Pan | 1 |
| 33 | U94184C | Gasket, for oil pan | 1 |
| 34 | U94169E | Rubber Plug, Style 904, 914 | 1 |
| 35 | U94182J | Chip Guard, for upper cover, Style 904, 914 | 1 |
| 36 | U94159 | Thread Guide, large | 2 |
| 37 | U94185W | Screw | 1 |
| 38 | U94185E | Screw | 2 |
| 39 | U94182H | Chip Guard, for upper cover, Style 916 | 1 |
| 40 | U94169D | Rubber Plug | 2 |
| 41 | U94182F | Belt Cover | 1 |
| 42 | U94185M | Screw, for belt cover | 3 |



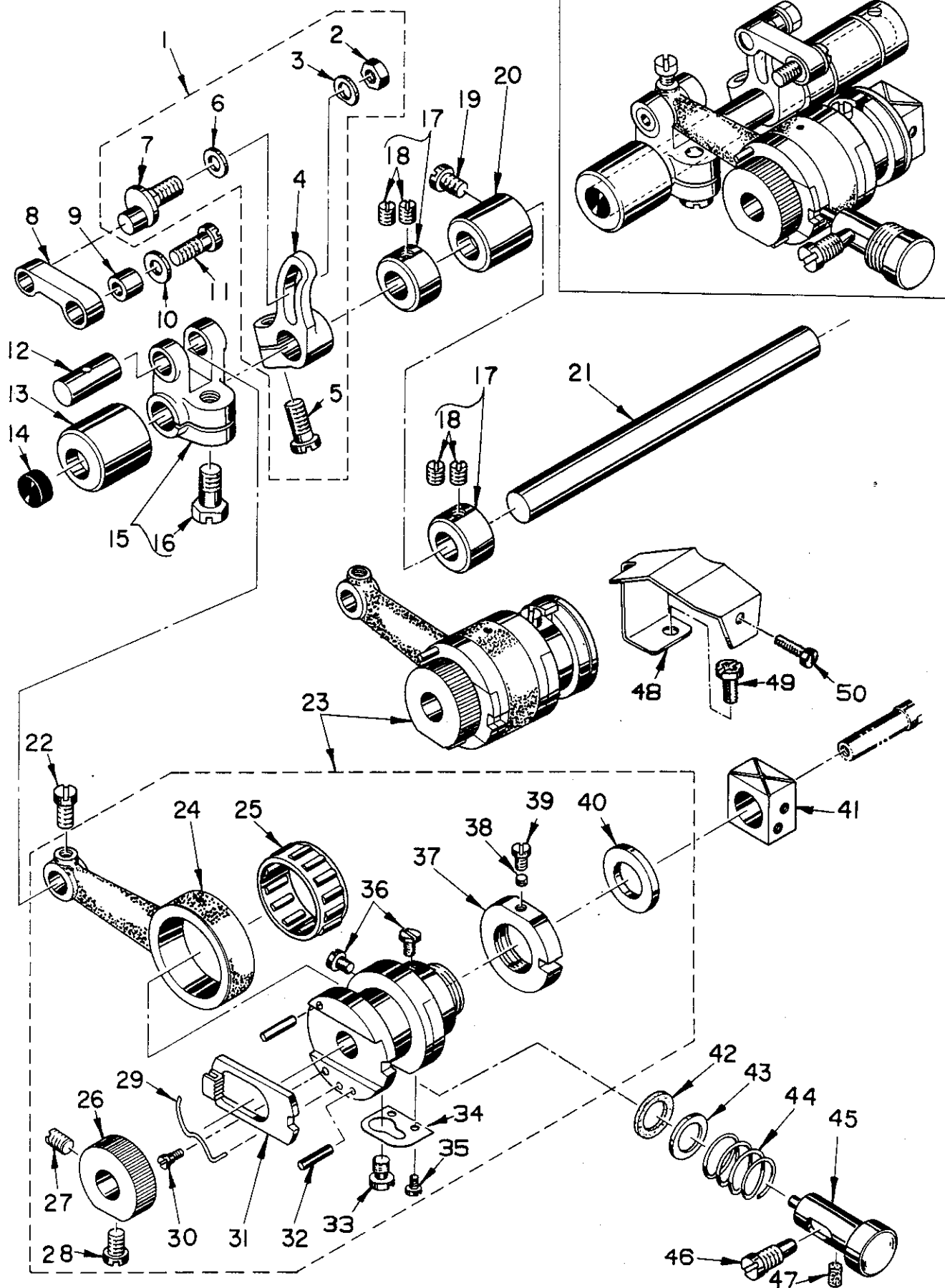
CRANKSHAFT MECHANISM & BUSHINGS

| REF. NO. | PART NO. | DESCRIPTION | AMT. REQ. |
|----------|----------|---|-----------|
| 1 | U94190 | Crankshaft Bushing, Style 904, 914 | 1 |
| 2 | U94185AB | Screw, for crankshaft bushing, Style 904, 914 | 3 |
| 3 | U94185AC | Screw, for crankshaft bushing, Style 904, 914 | 3 |
| 4 | U94190A | Crankshaft Bushing, Style 916 | 1 |
| 5 | U94184F | Gasket | 1 |
| 6 | U94190B | Ball Bearing, Style 904, 914 | 1 |
| 7 | U94190C | Ball Bearing, Style 916 | 1 |
| 8 | U94169F | Rubber Cap, Style 904, 914 | 1 |
| 9 | U94190D | Crankshaft Bushing | 1 |
| 10 | U94122 | Crankshaft | 1 |
| 11 | U94173 | Knife Drive Connecting Rod Assembly | 1 |
| 12 | U94185AD | Screw | 1 |
| 13 | U94185AE | Shoulder Screw | 2 |
| 14 | U94152D | Connecting Rod Assembly | 1 |
| 15 | U94185AF | Screw | 1 |
| 16 | U94185AE | Shoulder Screw | 2 |
| 17 | U94169G | Retaining Ring | 1 |
| 18 | U94190E | Ball Bearing | 2 |
| 19 | U94143AJ | Lower Looper Drive Connecting Rod Assembly | 1 |
| 20 | U94185AE | Shoulder Screw | 4 |
| 21 | U94143A | Ball Joint Guide Fork | 2 |
| 22 | U94185AF | Screw | 2 |
| 23 | U94185W | Screw | 2 |
| 24 | U94143B | Looper Drive Connecting Rod Assembly, Style 916 | 1 |
| 25 | U94185AE | Shoulder Screw | 4 |
| 26 | U94143A | Ball Joint Guide Fork | 1 |
| 27 | U94185AF | Screw | 2 |
| 28 | U94143C | Upper Looper Drive Connecting Rod Assembly | 1 |
| 29 | U94185AE | Shoulder Screw | 4 |
| 30 | U94143D | Ball Joint Guide Fork | 1 |
| 31 | U94185AF | Screw | 2 |
| 32 | U94185W | Screw | 2 |
| 33 | U94139 | Worm Gear | 1 |
| 34 | U94190E | Ball Bearing | 1 |
| 35 | U94188F | Washer | 1 |
| 36 | U94188G | Wave Washer | 1 |
| 37 | U94169H | Rubber "O" Ring | 1 |
| 38 | U94190G | Retaining Plate | 1 |
| 39 | U94185L | Screw, for retaining plate | 3 |
| 40 | U94193F | Oil Shield | 1 |
| 41 | U94121B | Pulley | 1 |
| 42 | U94185AG | Screw, for pulley | 2 |
| 43 | U94188H | Washer | 1 |
| 44 | U94185AH | Screw, for crankshaft | 1 |
| 45 | U94121 | Handwheel | 1 |
| 46 | U94188J | Spring Washer | 3 |
| 47 | U94185AJ | Screw, for handwheel | 3 |



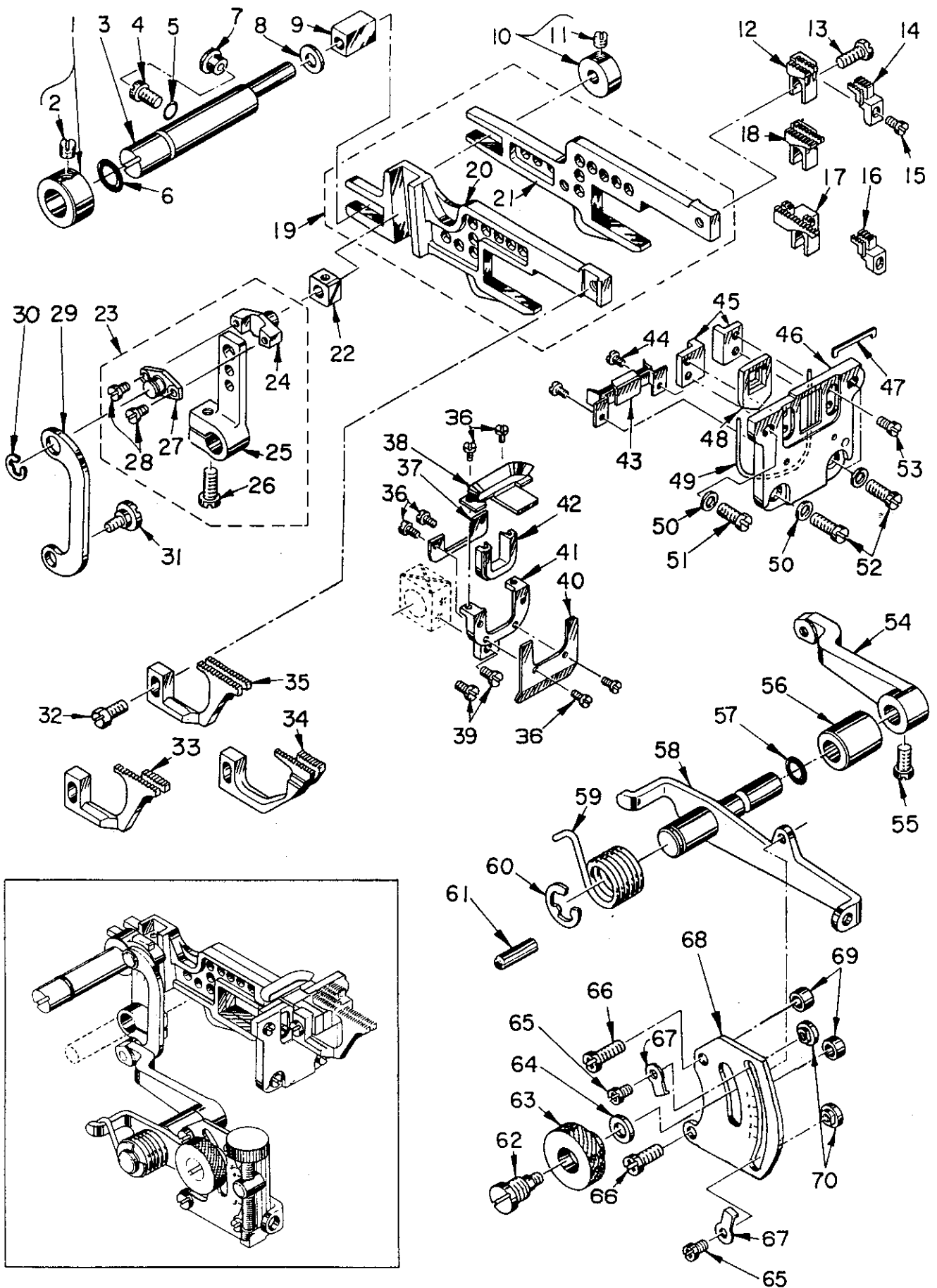
NEEDLE DRIVE, NEEDLE HEAD, EYELET & TAKE-UP PARTS

| REF. NO. | PART NO. | DESCRIPTION | AMT. REQ. |
|----------|----------|--|-----------|
| 1 | U94152 | Needle Drive Lever Shaft | 1 |
| 2 | U94193U | Oil Wick | 1 |
| 3 | U94190L | Bushing | 1 |
| 4 | U94185AK | Screw, for bushing | 1 |
| 5 | U94152C | Thrust Collar | 1 |
| 6 | U94185BG | Screw, for thrust collar | 2 |
| 7 | U94152G | Needle Drive Lever Assembly | 1 |
| 8 | U94193L | Oil Shield | 1 |
| 9 | U94152H | Connecting Pin | 1 |
| 10 | U94193U | Oil Wick | 1 |
| 11 | U94193P | Plug | 2 |
| 12 | U94193N | Outer Sleeve | 1 |
| 13 | U94185BF | Screw | 1 |
| 14 | U94185AM | Screw, for needle thread presser | 2 |
| 15 | U94152B | Needle Thread Presser | 2 |
| 16 | U94185J | Screw, for needle drive shaft cover | 2 |
| 17 | U94182V | Cover, for needle drive shaft | 2 |
| 18 | U94190K | Bearing | 4 |
| 19 | U94152E | Needle Drive Shaft | 1 |
| 20 | U94193G | Oil Wick | 1 |
| 21 | U94193H | Oil Cap | 1 |
| 22 | U94193K | Oil Felt | 3 |
| 23 | U94169J | Plug Cap, for needle cooler | 1 |
| 24 | U94193J | Oil Felt | 1 |
| 25 | U94193M | Oil Seal..... | 1 |
| 26 | U94190H | Bushing, front..... | 1 |
| 27 | U94152A | Thrust Collar..... | 1 |
| 28 | U94185AL | Screw..... | 2 |
| 29 | U94152F | Forked Crank Assembly..... | 1 |
| 30 | U94185W | Screw, for forked crank..... | 1 |
| 31 | U94152K | Crank Pin..... | 1 |
| 32 | U94190J | Bushing, rear..... | 1 |
| 33 | U94185AK | Screw, for front bushing..... | 1 |
| 34 | U94185AP | Screw, for needle clamp guide shaft base..... | 2 |
| 35 | U94188B | Washer..... | 2 |
| 36 | U94151A | Base, for needle clamp guide shaft..... | 1 |
| 37 | U94185AN | Screw, for needle clamp guide shaft..... | 2 |
| 38 | U94193V | Oil Tube Assembly..... | 1 |
| 39 | U94193U | Oil Wick..... | 1 |
| 40 | U94193T | Oil Wick Cover Bushing..... | 1 |
| 41 | U94162D | Oil Reservoir Bracket..... | 1 |
| 42 | U94185AT | Screw, for oil reservoir bracket..... | 2 |
| 43 | U94185AU | Screw..... | 1 |
| 44 | U94118 | Needle Head, Style 904..... | 1 |
| 45 | U94185AV | Screw, for clamping needle..... | 1 |
| 46 | U94118A | Needle Head, Style 912, 914..... | 1 |
| 47 | U94185AV | Screw, for clamping needle..... | 2 |
| 48 | U94118B | Needle Head, Style 916..... | 1 |
| 49 | U94185AV | Screw, for clamping needle..... | 2 |
| 50 | U94185AM | Screw..... | 2 |
| 51 | U94158E | Needle Thread Eyelet, Style 916..... | 1 |
| 52 | U94158D | Needle Thread Eyelet, Style 904, 912, 914..... | 1 |
| 53 | U94158C | Needle Thread Nipper Spring..... | 1 |
| 54 | U94158F | Needle Thread Take-up, Style 912, 914..... | 1 |
| 55 | U94158B | Needle Thread Take-up, Style 904, 916..... | 1 |
| 56 | U94185T | Screw..... | 1 |
| 57 | U94151 | Needle Head Holder..... | 1 |
| 58 | U94193S | Oil Wick..... | 1 |
| 59 | U94193R | Needle Clamp Oil Felt..... | 1 |
| 60 | U94152L | Needle Clamp Guide Shaft..... | 1 |
| 61 | U94158A | Needle Thread Take-up Guide..... | 1 |
| 62 | U94185R | Screw, for take-up guide..... | 1 |
| 63 | U94185AR | Screw, for needle thread guide..... | 1 |
| 64 | U94158 | Needle Thread Guide..... | 1 |



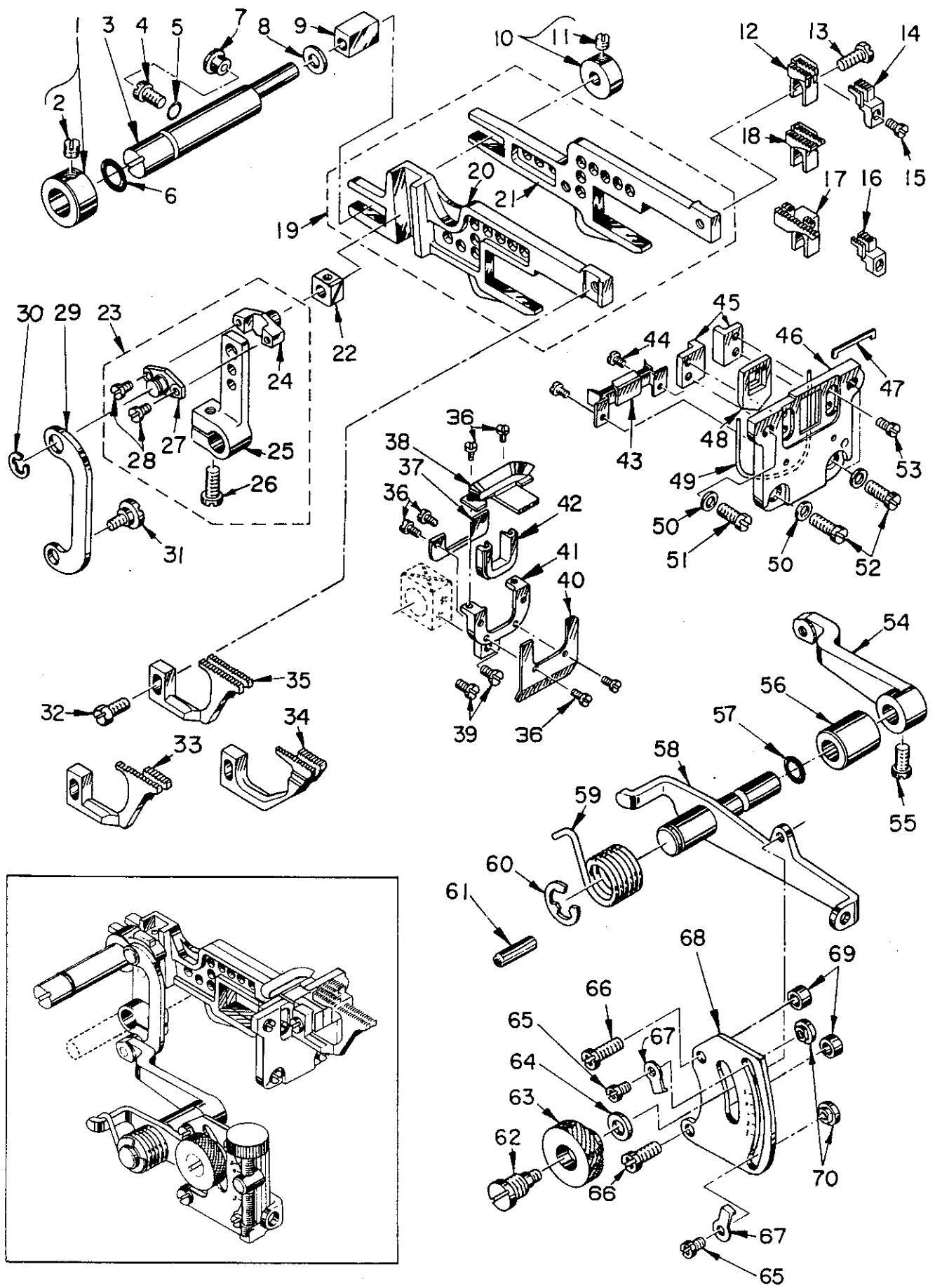
FEED ROCKER & ADJUSTABLE FEED REGULATOR PARTS

| REF. NO. | PART NO. | DESCRIPTION | AMT. REQ. |
|----------|----------|---|-----------|
| 1 | U94136 | Feed Rocker Assembly..... | 1 |
| 2 | U94187C | Nut..... | 1 |
| 3 | U94188M | Washer..... | 1 |
| 4 | U94136A | Main Feed Rocker..... | 1 |
| 5 | U94185AW | Screw, for main feed rocker..... | 1 |
| 6 | U94188L | Washer..... | 1 |
| 7 | U94136B | Feed Drive Eccentric Pin..... | 1 |
| 8 | U94136C | Main Feed Link..... | 1 |
| 9 | U94169M | Collar..... | 1 |
| 10 | U94188N | Washer..... | 1 |
| 11 | U94185AW | Screw..... | 1 |
| 12 | U94136D | Crank Pin..... | 1 |
| 13 | U94190M | Feed Rocker Shaft Bushing..... | 1 |
| 14 | U94169K | Rubber Plug..... | 1 |
| 15 | U94152J | Needle Drive Crank..... | 1 |
| 16 | U94185W | Screw..... | 1 |
| 17 | U94169N | Thrust Collar..... | 2 |
| 18 | U94185AU | Screw..... | 4 |
| 19 | U94185AX | Screw..... | 1 |
| 20 | U94190N | Feed Rocker Shaft Bushing..... | 1 |
| 21 | U94122A | Rocker Shaft..... | 1 |
| 22 | U94185AF | Screw, for connecting rod..... | 1 |
| 23 | U94136E | Adjustable Feed Regulator Assembly..... | 1 |
| 24 | U94136F | Connecting Rod..... | 1 |
| 25 | U94190P | Needle Bearing..... | 1 |
| 26 | U94136G | Ratchet Gear..... | 1 |
| 27 | U94185AY | Screw..... | 1 |
| 28 | U94185BA | Screw..... | 1 |
| 29 | U94136H | Ratchet Pawl Spring..... | 1 |
| 30 | U94185BB | Screw..... | 1 |
| 31 | U94136J | Ratchet Pawl..... | 1 |
| 32 | U94136K | Spring Pin..... | 2 |
| 33 | U94185BC | Screw..... | 1 |
| 34 | U94136N | Bracket..... | 1 |
| 35 | U94185BJ | Screw..... | 2 |
| 36 | U94185BD | Screw..... | 2 |
| 37 | U94187D | Nut..... | 1 |
| 38 | U94169L | Plug..... | 1 |
| 39 | U94185BE | Screw..... | 1 |
| 40 | U94188P | Washer..... | 1 |
| 41 | U94134 | Slide Block..... | 1 |
| 42 | U94188S | Felt Washer..... | 1 |
| 43 | U94188R | Washer..... | 1 |
| 44 | U94136L | Spring..... | 1 |
| 45 | U94136M | Stitch Length Regulator Plunger..... | 1 |
| 46 | U94185BH | Screw..... | 1 |
| 47 | U94193W | Oil Wick..... | 1 |
| 48 | U94193Y | Oil Shield Plate..... | 1 |
| 49 | U94185E | Screw..... | 1 |
| 50 | U94185D | Screw..... | 1 |



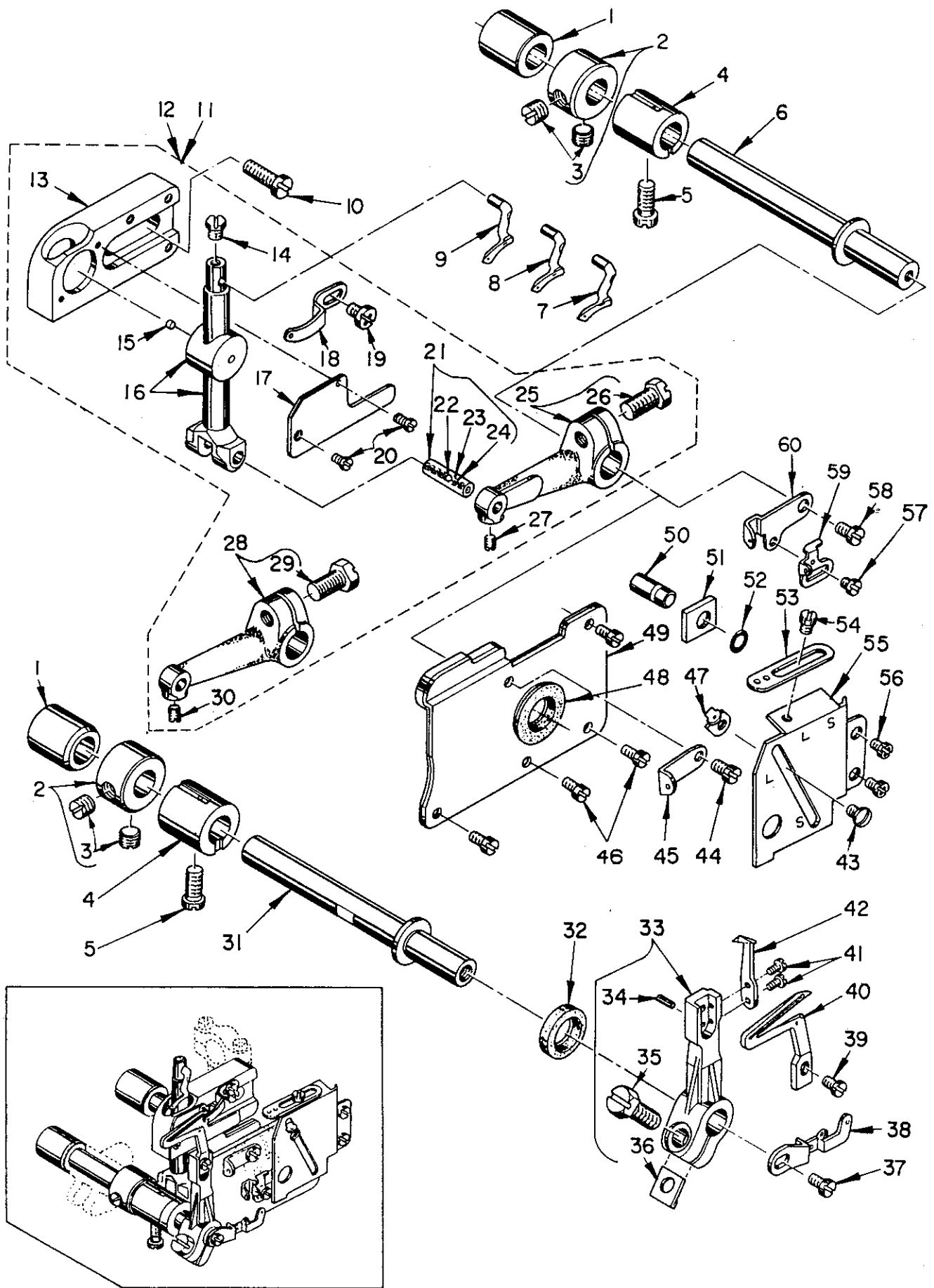
FEED DOGS, FEED BAR & DIFFERENTIAL FEED PARTS

| REF. NO. | PART NO. | DESCRIPTION | AMT. REQ. |
|------------|----------|--|-----------|
| 1 | U94169T | Collar..... | 1 |
| 2 | U94185BL | Screw, for collar..... | 1 |
| 3 | U94122B | Feed Bar Shaft..... | 1 |
| 4 | U94185BK | Screw..... | 1 |
| 5 | U94169P | Rubber "O" Ring..... | 1 |
| 6 | U94169S | Rubber "O" Ring..... | 1 |
| 7 | U94169R | Rubber Plug..... | 1 |
| 8 | U94188T | Washer..... | 1 |
| 9 | U94134A | Slide Block..... | 1 |
| 10 | U94169U | Collar..... | 1 |
| 11 | U94185AU | Screw, for collar..... | 1 |
| 12 | U94105 | Main Feed Dog, Style 904..... | 1 |
| 13 | U94185BM | Screw, for main feed dog..... | 1 |
| 14 | U94105C | Chaining Feed Dog, Style 904, 914..... | 1 |
| 15 | U94185BN | Screw, for chaining feed dog..... | 1 |
| 16 | U94105D | Chaining Feed Dog, Style 916..... | 1 |
| 17 | U94105B | Main Feed Dog, Style 916..... | 1 |
| 18 | U94105A | Main Feed Dog, Style 914..... | 1 |
| 19 | U94134K | Feed Bar Assembly..... | 1 |
| 20 | U94134B | Differential Feed Bar..... | 1 |
| 21 | U94134C | Main Feed Bar..... | 1 |
| 22 | U94134H | Slide Block, for differential feed..... | 1 |
| 23 | U94134D | Differential Feed Rocker Assembly..... | 1 |
| 24 | U94134E | Differential Feed Rocker Pin, inner..... | 1 |
| 25 | U94134G | Differential Feed Rocker..... | 1 |
| 26 | U94185AW | Screw..... | 1 |
| 27 | U94134F | Differential Feed Rocker Pin, outer..... | 1 |
| 28 | U94185AM | Screw..... | 2 |
| 29 | U94136P | Link..... | 1 |
| 30 | U94169V | Snap Ring..... | 1 |
| 31 | U94185BP | Shoulder Screw..... | 1 |
| 32 | U94185CX | Screw, for differential feed dog..... | 1 |
| 33 | U94126A | Differential Feed Dog, Style 914..... | 1 |
| 34 | U94126B | Differential Feed Dog, Style 916..... | 1 |
| 35 | U94126 | Differential Feed Dog, Style 904..... | 1 |
| 36 | U94185BR | Screw..... | 6 |
| 37 | U94134M | Oil Seal Retainer..... | 1 |
| 38 | U94134L | Rubber Presser Plate..... | 1 |
| 39 | U94185BS | Screw..... | 2 |
| 40 | U94134R | Base Plate..... | 1 |
| 41 | U94134P | Oil Seal Holder..... | 1 |
| 42 | U94134N | Oil Seal..... | 1 |
| 43 | U94134S | Oil Shield..... | 1 |
| 44 | U94185BT | Screw, for oil shield..... | 2 |
| 45 | U94134T | Feed Bar Guides..... | 2 |
| 46 | U94134J | Feed Bar Guide Mounting Plate..... | 1 |
| 47 | U94134V | Rubber Seal..... | 1 |
| 48 | U94134U | Rubber Seal..... | 1 |
| 49 | U94134W | Rubber Seal..... | 1 |
| 50 | U94188U | Washer..... | 4 |
| 51 | U94185BN | Screw..... | 1 |
| 52 | U94185BU | Screw..... | 3 |
| 53 | U94185BV | Screw..... | 4 |
| 54 thru 70 | | See following page | |



FEED DOGS, FEED BAR & DIFFERENTIAL FEED PARTS

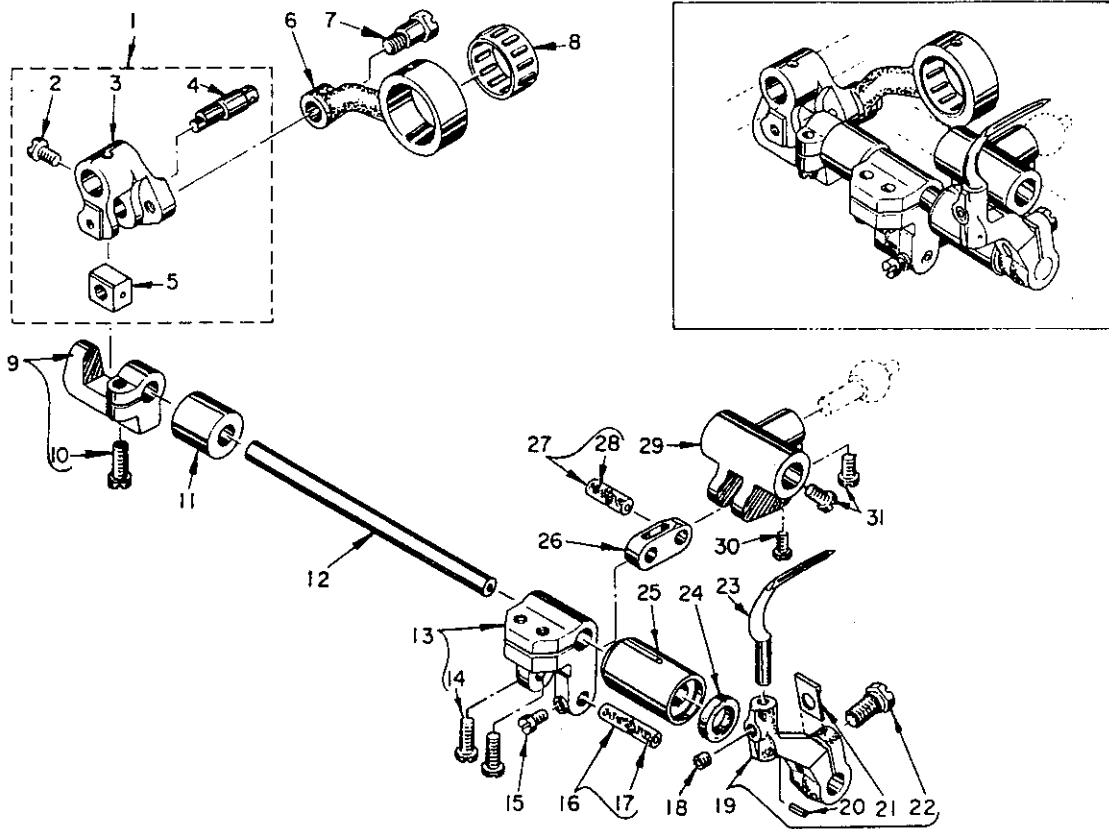
| REF. NO. | PART NO. | DESCRIPTION | AMT. REQ. |
|-----------|----------|---|-----------|
| 1 thru 53 | | See preceding page | |
| 54 | U94137 | Differential Feed Lever..... | 1 |
| 55 | U94185BK | Screw, for differential feed lever..... | 1 |
| 56 | U94190BR | Bushing..... | 1 |
| 57 | U94169W | Rubber "O" Ring..... | 1 |
| 58 | U94137B | Differential Feed Lever..... | 1 |
| 59 | U94137A | Spring..... | 1 |
| 60 | U94169X | Snap Ring..... | 1 |
| 61 | U94137C | Pin..... | 1 |
| 62 | U94137G | Differential Locking Screw..... | 1 |
| 63 | U94137F | Differential Locking Nut..... | 1 |
| 64 | U94188X | Washer..... | 1 |
| 65 | U94185BX | Screw, for stop nut..... | 2 |
| 66 | U94185BW | Screw..... | 2 |
| 67 | U94188W | Washer..... | 2 |
| 68 | U94137L | Differential Feed Indicator Plate | 2 |
| 69 | U94188V | Washer..... | 2 |
| 70 | U94137K | Stop Nut..... | 2 |



UPPER & LOWER LOOPER ASSEMBLIES & TAKE-UP PARTS

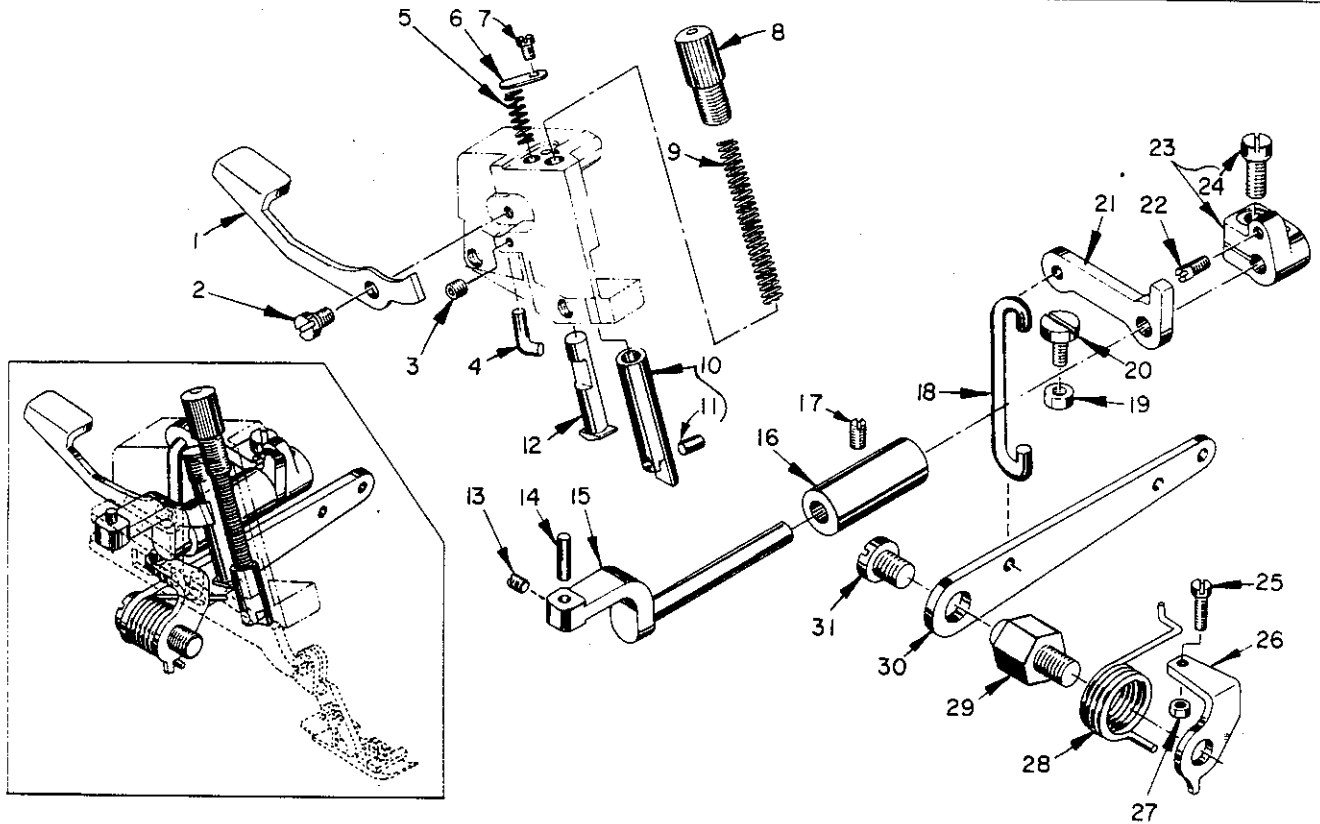
| REF. NO. | PART NO. | DESCRIPTION | AMT. REQ. |
|----------|------------|--|-----------|
| 1 | U94190S | Bushing, rear..... | 2 |
| 2 | U94143N | Collar..... | 2 |
| 3 | U94185BY | Screw..... | 4 |
| 4 | U94190T | Bushing, front..... | 2 |
| 5 | U94185AX | Screw..... | 2 |
| 6 | U94143M | Upper Looper Shaft..... | 1 |
| 7 | U94108-92 | Upper Looper, Style 904, 914, 916..... | 1 |
| 8 | U94108-81 | Upper Looper, Style 904, 914, 916..... | 1 |
| 9 | U94108-80 | Upper Looper, Style 904, 916..... | 1 |
| 10 | U94185CA | Screw, for upper looper guide support..... | 2 |
| 11 | U94143F | Upper Looper Assembly, Style 914..... | 1 |
| 12 | U94143E | Upper Looper Assembly, Style 904, 916..... | 1 |
| 13 | U94143G | Upper Looper Guide Support..... | 1 |
| 14 | U94185CB | Screw, for clamping looper..... | 1 |
| 15 | U94193BR | Oil Felt..... | 1 |
| 16 | U94148 | Looper Holder..... | 1 |
| 17 | U94143H | Guide Support Plate..... | 1 |
| 18 | U94168 | Looper Eyelet..... | 1 |
| 19 | U94185CS | Screw, for looper eyelet..... | 1 |
| 20 | U94185CC | Screw, for guide support plate..... | 2 |
| 21 | U94143J | Pin Assembly..... | 1 |
| 22 | U94193AA | Oil Wick Stopper Ball..... | 1 |
| 23 | U94193U | Oil Wick..... | 1 |
| 24 | U94193AC | Oil Wick..... | 1 |
| 25 | U94143K | Looper Drive Lever, Style 904, 916..... | 1 |
| 26 | U94185W | Screw..... | 1 |
| 27 | U94185T | Screw..... | 1 |
| 28 | U94143L | Looper Drive Lever, Style 914..... | 1 |
| 29 | U94185W | Screw..... | 1 |
| 30 | U94185T | Screw..... | 1 |
| 31 | U94143T | Lower Looper Shaft..... | 1 |
| 32 | U94193AF | Oil Seal..... | 1 |
| 33 | U94143S | Lower Looper Drive Assembly..... | 1 |
| 34 | U94169AB | Roll Pin..... | 1 |
| 35 | U94185W | Screw..... | 1 |
| 36 | U94188AA | Washer..... | 1 |
| 37 | U94185P | Screw, for take-up..... | 1 |
| 38 | U94168G | Looper Thread Take-up..... | 1 |
| 39 | U94185CH | Screw, for lower looper..... | 1 |
| 40 | U94108-993 | Lower Looper..... | 1 |
| 41 | U94185CG | Screw, for moving needle guard..... | 2 |
| 42 | U94125F | Moving Needle Guard, rear, all styles..... | 1 |
| 43 | U94185K | Screw, for lower looper eyelet..... | 1 |
| 44 | U94185CF | Screw, for eyelet..... | 1 |
| 45 | U94168F | Looper Thread Eyelet..... | 1 |
| 46 | U94185CE | Screw, for oil shield plate..... | 1 |
| 47 | U94168E | Lower Looper Thread Eyelet..... | 1 |
| 48 | U94193AE | Oil Seal..... | 1 |
| 49 | U94193AD | Oil Shield Plate..... | 1 |
| 50 | U94143P | Looper Gauge Pin..... | 1 |
| 51 | U94143R | Positioning Gauge..... | 1 |
| 52 | U94169P | Rubber "O" Ring..... | 1 |
| 53 | U94168C | Looper Thread Eyelet..... | 1 |
| 54 | U94185K | Screw, for eyelet..... | 1 |
| 55 | U94168D | Take-up Plate..... | 1 |
| 56 | U94185C | Screw, for take-up plate..... | 2 |
| 57 | U94185AM | Screw, for looper thread take-up..... | 1 |
| 58 | U94185P | Screw, for looper thread take-up..... | 1 |
| 59 | U94168B | Lower Looper Thread Take-up..... | 1 |
| 60 | U94168A | Looper Thread Take-up..... | 1 |

SAFETY STITCH LOOPER DRIVE PARTS

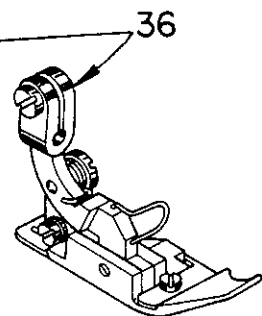
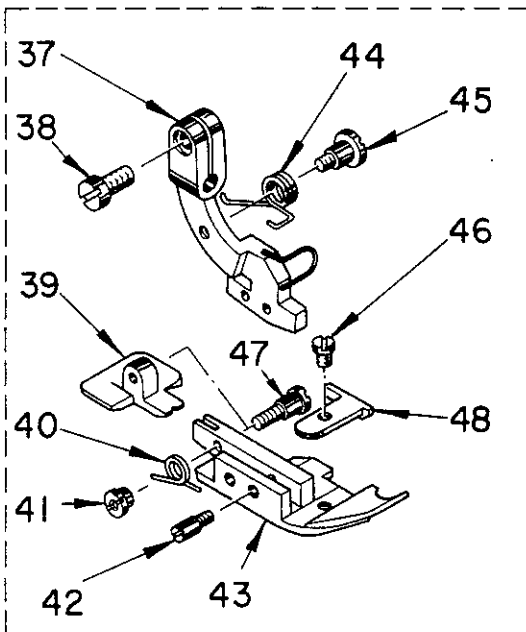
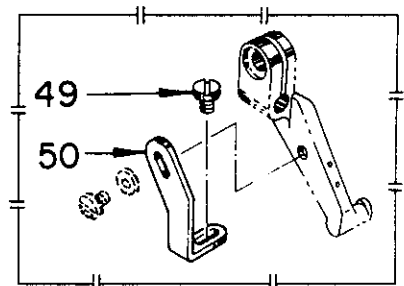
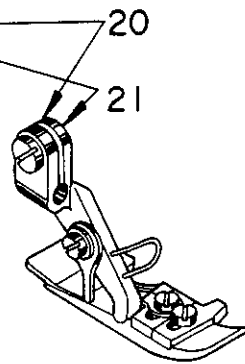
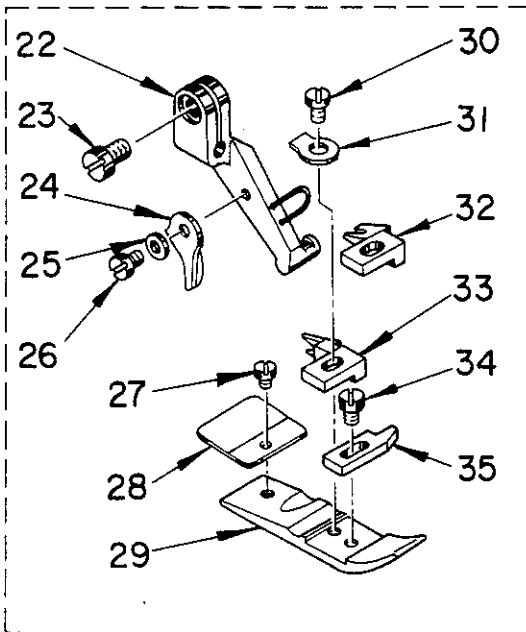
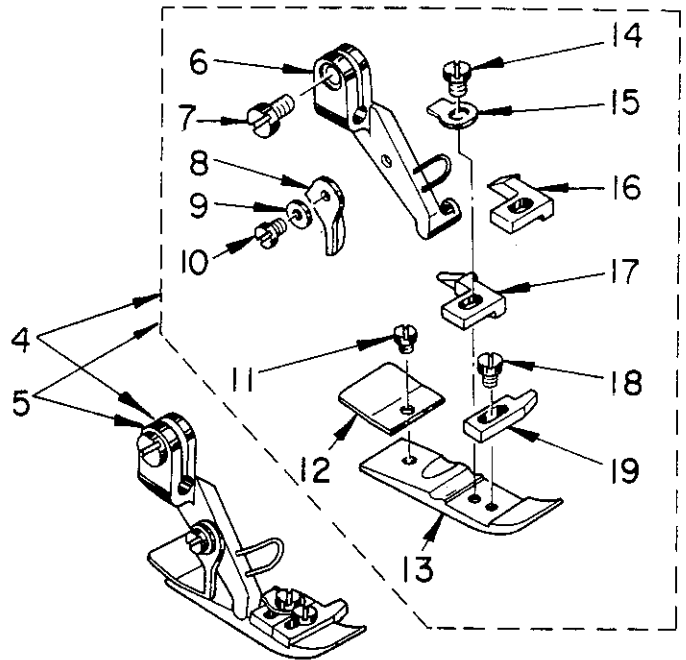
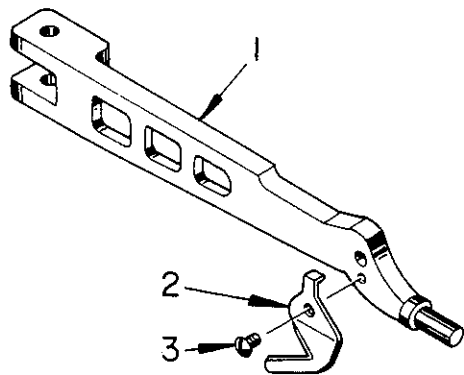


| REF. NO. | PART NO. | DESCRIPTION | AMT. REQ. |
|----------|------------|---|-----------|
| 1 | U94143U | Slide Arm Assembly, Style 916..... | 1 |
| 2 | U94185CJ | Screw..... | 1 |
| 3 | U94143V | Slide Arm..... | 1 |
| 4 | U94143W | Slide Block Pin..... | 1 |
| 5 | U94143X | Slide Block..... | 1 |
| 6 | U94143Y | Connecting Rod..... | 1 |
| 7 | U94185EK | Shoulder Screw, for connecting rod..... | 1 |
| 8 | U94190V | Needle Bearing..... | 1 |
| 9 | U94143AA | Bracket Assembly..... | 1 |
| 10 | U94185AW | Screw..... | 1 |
| 11 | U94190W | Bushing, rear..... | 1 |
| 12 | U94143AB | Looper Shaft..... | 1 |
| 13 | U94143AC | Looper Shaft Driving Arm Assembly..... | 1 |
| 14 | U94185AW | Screw..... | 2 |
| 15 | U94185BN | Screw..... | 1 |
| 16 | U94143AD | Pin..... | 1 |
| 17 | U94193U | Oil Wick..... | 1 |
| 18 | U94185 | Screw, for looper..... | 1 |
| 19 | U94143AH | Looper Drive Arm..... | 1 |
| 20 | U94169AB | Roll Pin..... | 1 |
| 21 | U94188AA | Washer..... | 1 |
| 22 | U94185W | Screw..... | 1 |
| 23 | U94109-294 | Looper, safety stitch, Style 916..... | 1 |
| 24 | U94193AG | Oil Seal..... | 1 |
| 25 | U94190U | Bushing, front..... | 1 |
| 26 | U94143AE | Looper Shaft Driving Link..... | 1 |
| 27 | U94143AF | Pin..... | 1 |
| 28 | U94193U | Oil Wick..... | 1 |
| 29 | U94143AG | Ball Arm Driving Bracket..... | 1 |
| 30 | U94185BN | Screw, for driving bracket..... | 1 |
| 31 | U94185BA | Screw, for driving bracket..... | 3 |

PRESSER FOOT LIFTING LEVER PARTS

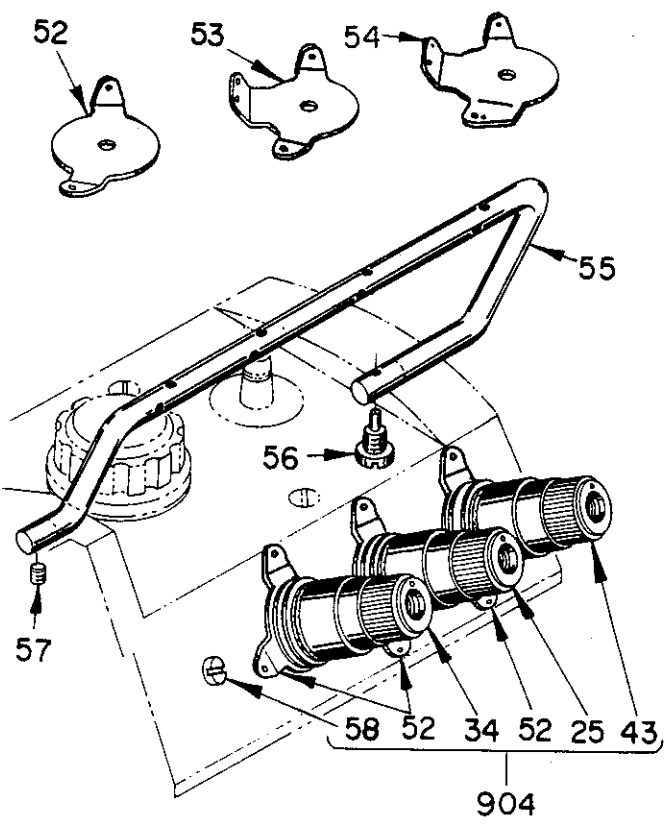
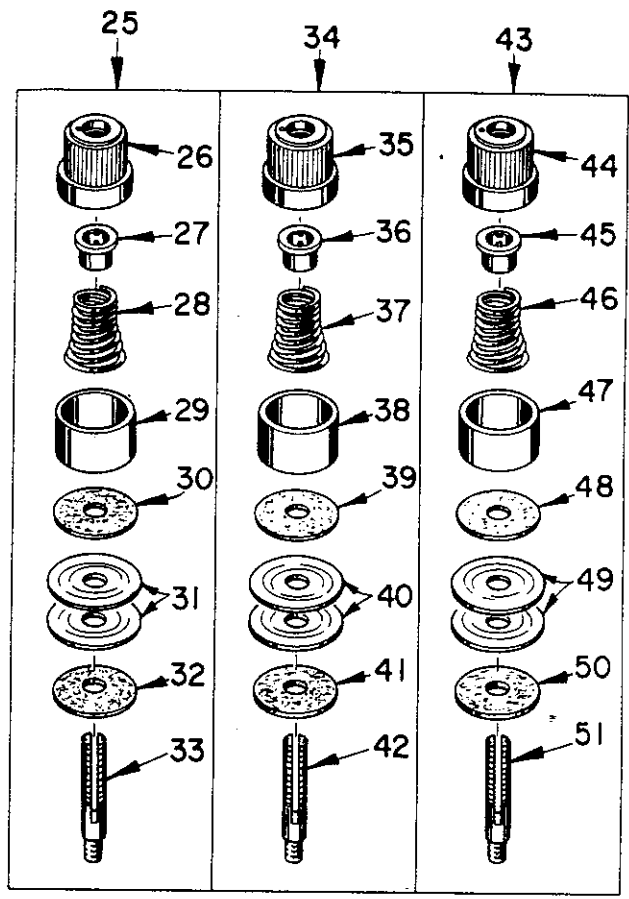
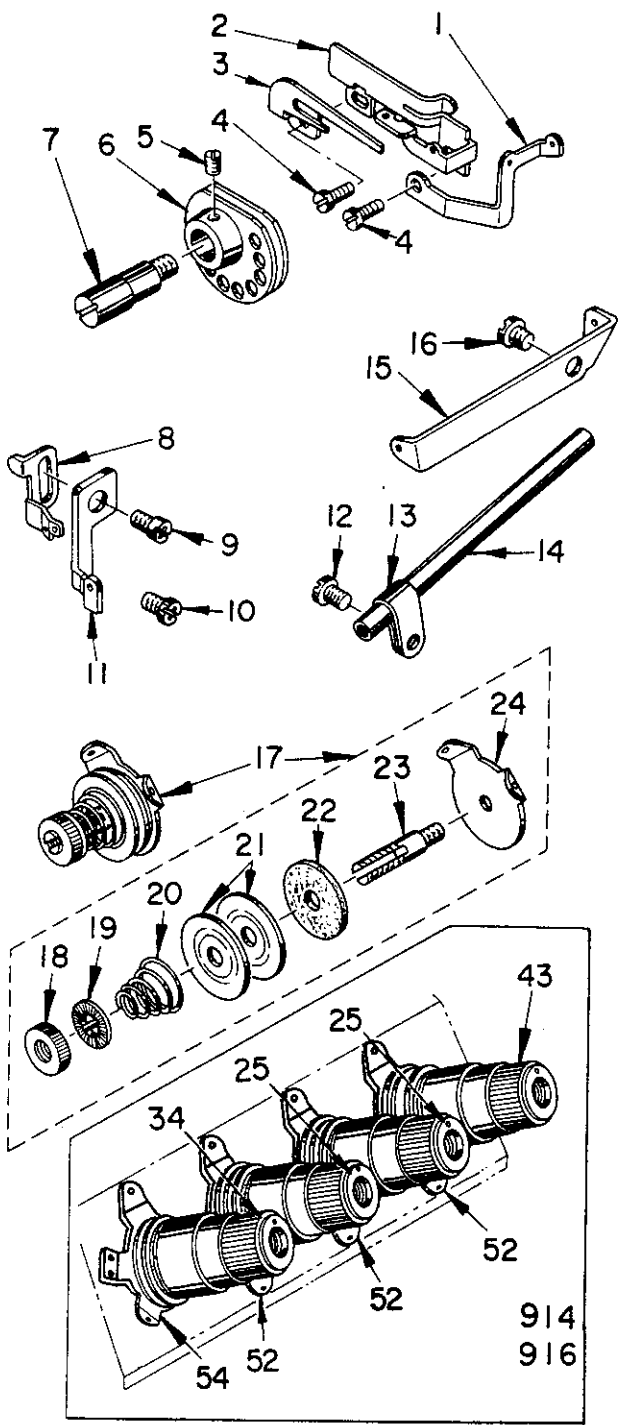


| REF. NO. | PART NO. | DESCRIPTION | AMT. REQ. |
|----------|----------|--------------------------------------|-----------|
| 1 | U94155 | Presser Foot Lift Lever..... | 1 |
| 2 | U94185CK | Screw, for lift lever..... | 1 |
| 3 | U94185C | Screw..... | 1 |
| 4 | U94155A | Stop..... | 1 |
| 5 | U94155B | Spring..... | 1 |
| 6 | U94188AB | Washer..... | 1 |
| 7 | U94185CL | Screw..... | 1 |
| 8 | U94155F | Presser Spring Regulator..... | 1 |
| 9 | U94157 | Presser Spring..... | 1 |
| 10 | U94155D | Presser Bar..... | 1 |
| 11 | U94155S | Plastic Plug..... | 1 |
| 12 | U94155C | Presser Foot Lifting Bar..... | 1 |
| 13 | U94185CM | Screw..... | 1 |
| 14 | U94155G | Pin..... | 1 |
| 15 | U94155H | Presser Foot Shaft..... | 1 |
| 16 | U94190F | Bushing..... | 1 |
| 17 | U94185AK | Screw, for bushing..... | 1 |
| 18 | U94155J | Lifting Hook..... | 1 |
| 19 | U94187E | Nut..... | 1 |
| 20 | U94185CN | Screw..... | 1 |
| 21 | U94155K | Lifting Arm..... | 1 |
| 22 | U94155L | Pin..... | 1 |
| 23 | U94155M | Presser Arm Thrust Arm Assembly..... | 1 |
| 24 | U94185W | Screw..... | 1 |
| 25 | U94185EJ | Screw, for lever stop..... | 1 |
| 26 | U94155E | Lever Stop..... | 1 |
| 27 | U94187F | Nut..... | 1 |
| 28 | U94155P | Lifting Lever Spring..... | 1 |
| 29 | U94155N | Screw, for lifting lever..... | 1 |
| 30 | U94155R | Lifting Lever..... | 1 |
| 31 | U94185CP | Screw..... | 1 |



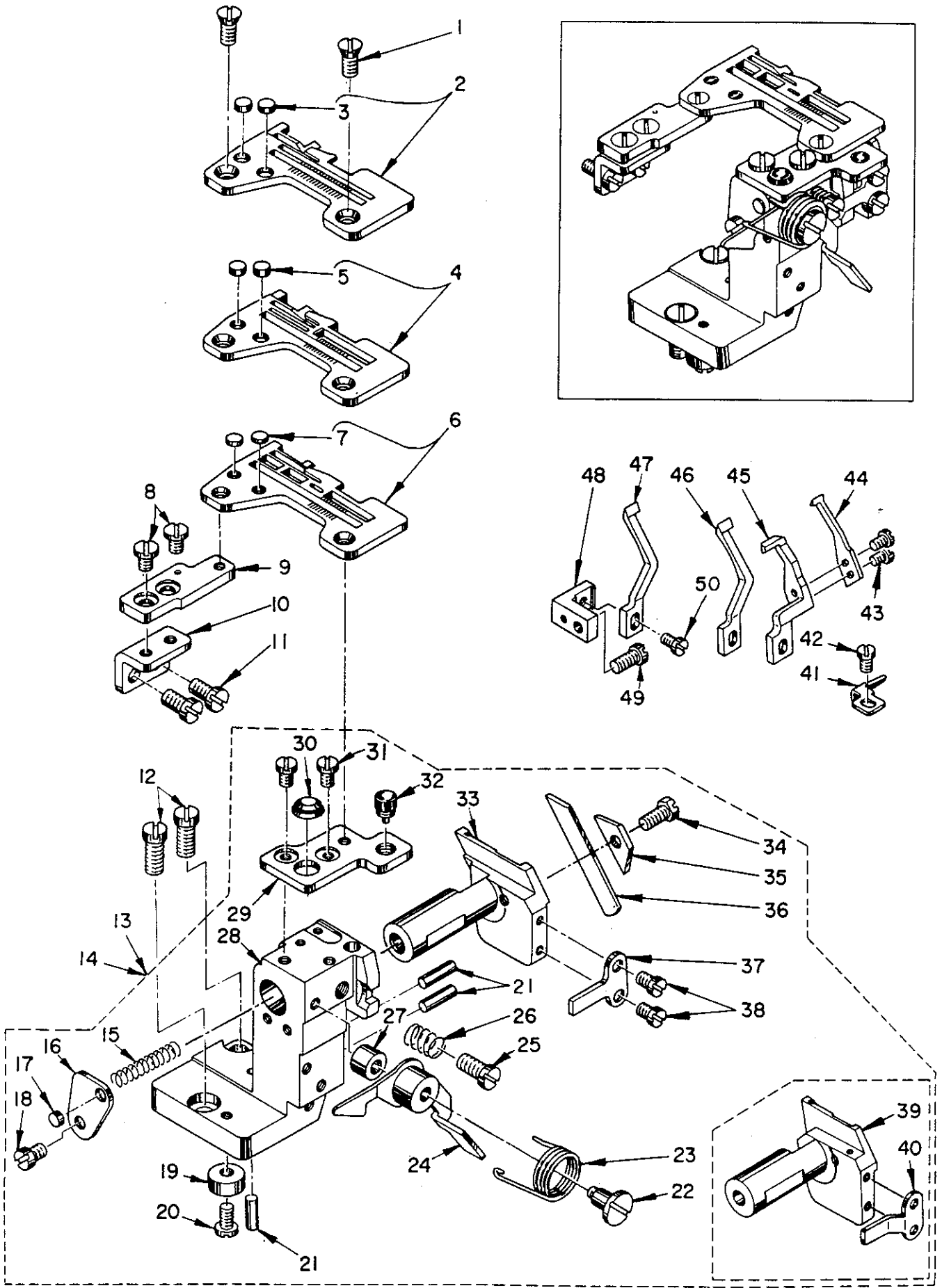
PRESSER FOOT PARTS

| REF. NO. | PART NO. | DESCRIPTION | AMT. REQ. |
|----------|----------|---|-----------|
| 1 | U94156 | Presser Foot Arm..... | 1 |
| 2 | U94156A | Chain Knife..... | 1 |
| 3 | U94185CR | Screw, for chain knife..... | 1 |
| 4 | U94120B | Presser Foot Assembly, Style 904..... | 1 |
| 5 | U94120C | Presser Foot Assembly, Style 904..... | 1 |
| 6 | U94130 | Presser Foot Shank..... | 1 |
| 7 | U94185BV | Screw, for shank..... | 1 |
| 8 | U94130A | Presser Foot Stop..... | 1 |
| 9 | U94188AC | Washer..... | 1 |
| 10 | U94185CC | Screw, for presser foot stop..... | 1 |
| 11 | U94185CS | Screw, for chain shield..... | 1 |
| 12 | U94130B | Presser Foot Chain Shield..... | 1 |
| 13 | U94130C | Presser Foot..... | 1 |
| 14 | U94185CT | Screw, for spring..... | 1 |
| 15 | U94130D | Spring..... | 1 |
| 16 | U94197 | Stitch Tongue | 1 |
| 17 | U94197A | Stitch Tongue..... | 1 |
| 18 | U94185CU | Screw..... | 1 |
| 19 | U94130E | Chip Guard..... | 1 |
| 20 | U94120F | Presser Foot Assembly, Style 914..... | 1 |
| 21 | U94120G | Presser Foot Assembly, Style 914..... | 1 |
| 22 | U94130 | Presser Foot Shank..... | 1 |
| 23 | U94185BV | Screw, for shank..... | 1 |
| 24 | U94130A | Presser Foot Stop..... | 1 |
| 25 | U94188AC | Washer..... | 1 |
| 26 | U94185CC | Screw, for presser foot stop..... | 1 |
| 27 | U94185CS | Screw, for chain shield..... | 1 |
| 28 | U94130F | Presser Foot Chain Shield | 1 |
| 29 | U94130G | Presser Foot..... | 1 |
| 30 | U94185CT | Screw, for spring..... | 1 |
| 31 | U94130D | Spring..... | 1 |
| 32 | U94197B | Stitch Tongue..... | 1 |
| 33 | U94197C | Stitch Tongue..... | 1 |
| 34 | U94185CU | Screw, for chip guard..... | 1 |
| 35 | U94130E | Chip Guard..... | 1 |
| 36 | U94120J | Presser Foot Assembly, Style 916..... | 1 |
| 37 | U94130H | Presser Foot Shank..... | 1 |
| 38 | U94185BV | Screw, for shank..... | 1 |
| 39 | U94130J | Yielding Section..... | 1 |
| 40 | U94130K | Spring, for yielding section..... | 1 |
| 41 | U94187J | Nut..... | 1 |
| 42 | U94130L | Hinge Pin..... | 1 |
| 43 | U94130M | Presser Foot Bottom..... | 1 |
| 44 | U94130N | Presser Shank Spring..... | 1 |
| 45 | U94185CV | Shoulder Screw, for spring..... | 1 |
| 46 | U94185BJ | Screw, for chip guard..... | 1 |
| 47 | U94185CW | Shoulder Screw, for yielding section..... | 1 |
| 48 | U94130P | Chip Guard..... | 1 |
| 49 | U94185CU | Screw, for hold down plate..... | 1 |
| 50 | U94130R | Presser Foot Hold Down Plate..... | 1 |



THREAD TENSION PARTS

| REF. NO. | PART NO. | DESCRIPTION | AMT. REQ. |
|----------|----------|--|-----------|
| 1 | U94168J | Thread Eyelet, Style 916..... | 1 |
| 2 | U94168H | Looper Thread Guide, Style 916..... | 1 |
| 3 | U94168N | Thread Guide Hook, Style 916..... | 1 |
| 4 | U94185CD | Screw..... | 2 |
| 5 | U94185AU | Screw..... | 1 |
| 6 | U94123 | Looper Take-up, Style 916..... | 1 |
| 7 | U94123A | Take-up Shaft, Style 916..... | 1 |
| 8 | U94158G | Needle Thread Eyelet..... | 1 |
| 9 | U94185C | Screw, for eyelet..... | 1 |
| 10 | U94185C | Screw, Style 916..... | 1 |
| 11 | U94158H | Needle Thread Eyelet, Style 916..... | 1 |
| 12 | U94185E | Screw, for thread tube..... | 1 |
| 13 | U94168M | Mounting Bracket, Style 916..... | 1 |
| 14 | U94168L | Looper Thread Guide Tube, Style 916..... | 1 |
| 15 | U94168K | Looper Thread Eyelet, Style 916..... | 1 |
| 16 | U94185CY | Screw, for eyelet..... | 1 |
| 17 | U94192 | Tension Assembly, Style 916..... | 1 |
| 18 | U94192A | Tension Post Nut..... | 1 |
| 19 | U94192B | Tension Spring Ferrule..... | 1 |
| 20 | U94192C | Tension Spring..... | 1 |
| 21 | U94192D | Tension Disc..... | 2 |
| 22 | U94192E | Tension Disc Felt..... | 1 |
| 23 | U94192F | Thread Tension Post..... | 1 |
| 24 | U94158J | Tension Post Eyelet..... | 1 |
| 25 | U94192H | Tension Control Assembly, yellow..... | 1 |
| 26 | U94192J | Thread Tension Knob, yellow..... | 1 |
| 27 | U94192K | Tension Spring Bushing..... | 1 |
| 28 | U94192L | Tension Spring, for ref. no. 25..... | 1 |
| 29 | U94192M | Tension Spring Shield..... | 1 |
| 30 | U94192N | Tension Disc Felt..... | 1 |
| 31 | U94192D | Tension Disc..... | 2 |
| 32 | U94192E | Tension Disc Felt..... | 1 |
| 33 | U94192P | Tension Post..... | 1 |
| 34 | U94192R | Tension Control Assembly, red..... | 1 |
| 35 | U94192S | Thread Tension Knob, red..... | 1 |
| 36 | U94192K | Tension Spring Bushing..... | 1 |
| 37 | U94192T | Tension Spring, for ref. no. 34..... | 1 |
| 38 | U94192M | Tension Spring Shield..... | 1 |
| 39 | U94192N | Tension Disc Felt..... | 1 |
| 40 | U94192D | Tension Disc..... | 2 |
| 41 | U94192E | Tension Disc Felt..... | 1 |
| 42 | U94192P | Tension Post..... | 1 |
| 43 | U94192U | Tension Control Assembly, blue..... | 1 |
| 44 | U94192V | Thread Tension Knob, blue..... | 1 |
| 45 | U94192K | Tension Spring Bushing..... | 1 |
| 46 | U94192W | Tension Spring, for ref. no. 43..... | 1 |
| 47 | U94192M | Tension Spring Shield..... | 1 |
| 48 | U94192N | Tension Disc Felt..... | 1 |
| 49 | U94192D | Tension Disc..... | 2 |
| 50 | U94192E | Tension Disc Felt..... | 1 |
| 51 | U94192P | Tension Post..... | 1 |
| 52 | U94158T | Tension Post Eyelet..... | 1 |
| 53 | U94158R | Tension Post Eyelet..... | 1 |
| 54 | U94158S | Tension Post Eyelet..... | 1 |
| 55 | U94158N | Thread Eyelet Bar..... | 1 |
| 56 | U94185DA | Screw, for eyelet bar..... | 1 |
| 57 | U94185 | Screw, for eyelet bar..... | 1 |
| 58 | U94185DC | Screw, Style 904, for eyelet plate..... | 1 |

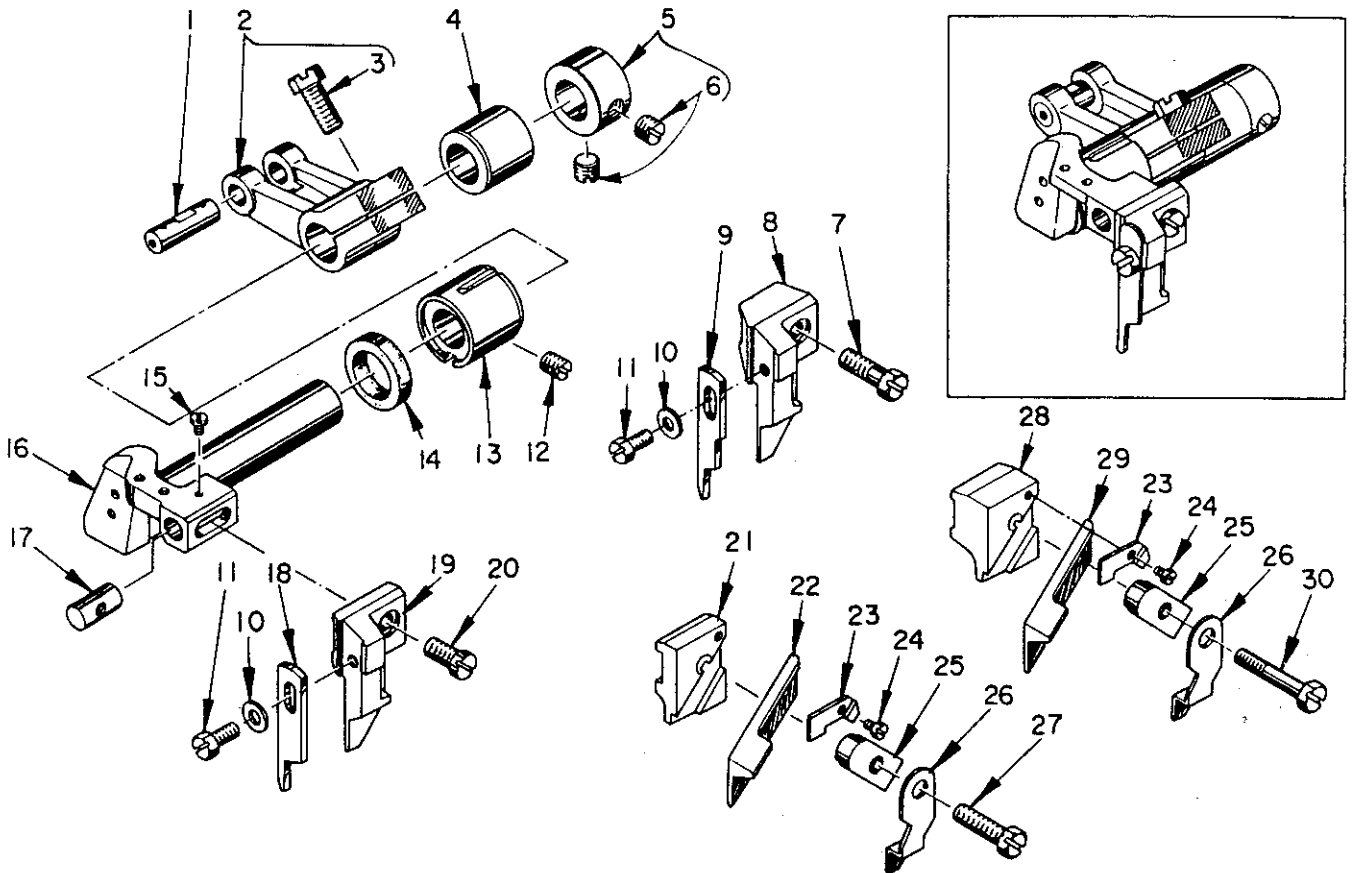


THROAT PLATE SUPPORT, LOWER KNIFE & NEEDLE GUARD PARTS

~~THREAD TENSION PARTS~~

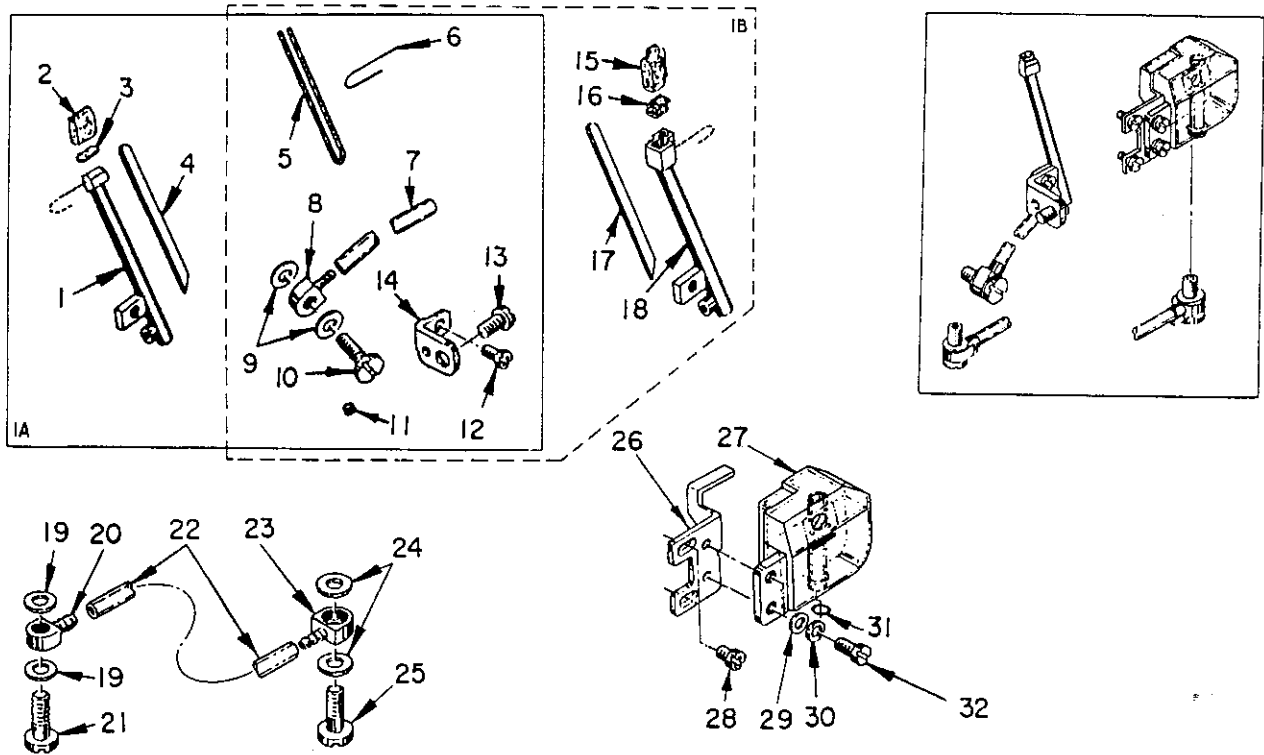
| REF. NO. | PART NO. | DESCRIPTION | AMT. REQ. |
|----------|----------|--|-----------|
| 1 | U94185DE | Screw, for throat plate..... | 2 |
| 2 | U94124A | Throat Plate Assembly, Style 904..... | 1 |
| 3 | U94169AC | Plug..... | 2 |
| 4 | U94124B | Throat Plate Assembly, Style 914..... | 1 |
| 5 | U94169AC | Plug..... | 2 |
| 6 | U94124C | Throat Plate Assembly, Style 916..... | 1 |
| 7 | U94169AC | Plug..... | 2 |
| 8 | U94185CL | Screw, for throat plate base..... | 2 |
| 9 | U94180 | Throat Plate Base, rear..... | 1 |
| 10 | U94180A | Rear Throat Plate Base Retainer..... | 1 |
| 11 | U94185DF | Screw, for rear base retainer..... | 2 |
| 12 | U94185DJ | Screw, for block..... | 2 |
| 13 | U94150 | Lower Knife Base Assembly, Style 916..... | 1 |
| 14 | U94150A | Lower Knife Base Assembly, Style 904, 914..... | 1 |
| 15 | U94150C | Spring..... | 1 |
| 16 | U94150B | Spring Retainer..... | 1 |
| 17 | U94169AC | Plug..... | 1 |
| 18 | U94185H | Screw, for spring retainer..... | 1 |
| 19 | U94188AD | Washer..... | 1 |
| 20 | U94185P | Screw..... | 1 |
| 21 | U94150J | Pin..... | 3 |
| 22 | U94185DH | Shoulder Screw..... | 1 |
| 23 | U94101J | Spring..... | 1 |
| 24 | U94101G | Cloth Plate Latch..... | 1 |
| 25 | U94185DG | Spring..... | 1 |
| 26 | U94150K | Spring..... | 1 |
| 27 | U94101H | Rubber Bushing..... | 1 |
| 28 | U94150D | Lower Knife Block..... | 1 |
| 29 | U94180B | Front Throat Plate Base..... | 1 |
| 30 | U94169AD | Rubber Plug..... | 1 |
| 31 | U94185CL | Screw, for front throat plate base..... | 2 |
| 32 | U94169AE | Rubber Plug..... | 1 |
| 33 | U94150L | Lower Knife Holder..... | 1 |
| 34 | U94185BN | Screw, for lower knife clamp..... | 1 |
| 35 | U94150E | Lower Knife Clamp..... | 1 |
| 36 | U94149 | Lower Knife..... | 1 |
| 37 | U94150F | Positioner..... | 1 |
| 38 | U94185DD | Screw, for knife positioner..... | 2 |
| 39 | U94150G | Lower Knife Holder, Style 916..... | 1 |
| 40 | U94150H | Knife Positioner, Style 916..... | 1 |
| 41 | U94125E | Needle Guard, Style 916..... | 1 |
| 42 | U94185S | Screw for ref. no. 41..... | 1 |
| 43 | U94185BT | Screw, for front needle guard, Style 916..... | 3 |
| 44 | U94125D | Needle Guard, Style 916..... | 1 |
| 45 | U94125C | Needle Guard, rear, Style 916..... | 1 |
| 46 | U94125B | Needle Guard, front, Style 914..... | 1 |
| 47 | U94125A | Needle Guard, front, Style 904..... | 1 |
| 48 | U94125 | Needle Guard Holder..... | 1 |
| 49 | U94185P | Screw, for needle guard holder..... | 1 |
| 50 | U94185DK | Screw, for front needle guard..... | 1 |

UPPER KNIFE DRIVING PARTS

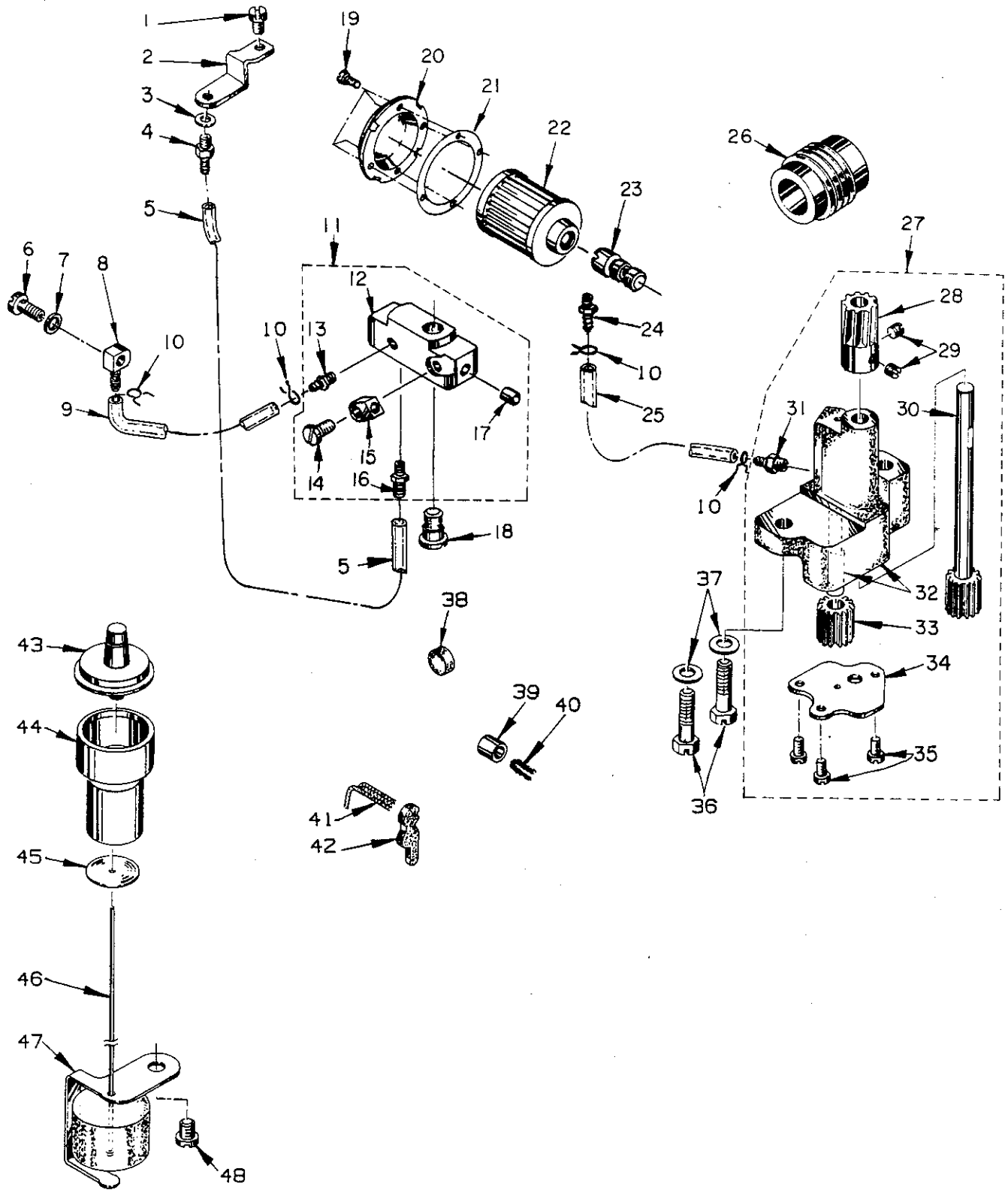


| REF. NO. | PART NO. | DESCRIPTION | AMT. REQ. |
|----------|----------|---|-----------|
| 1 | U94173B | Pin..... | 1 |
| 2 | U94173A | Upper Knife Driving Lever..... | 1 |
| 3 | U94185DL | Screw..... | 1 |
| 4 | U94190X | Bushing, rear..... | 1 |
| 5 | U94173C | Thrust Collar Assembly..... | 1 |
| 6 | U94185BL | Screw..... | 2 |
| 7 | U94185DR | Screw, for ref. no. 8..... | 1 |
| 8 | U94172A | Upper Knife Holder, Style 916..... | 1 |
| 9 | U94170A | Upper Knife, Style 916..... | 1 |
| 10 | U94188E | Washer, for ref. no. 11..... | 1 |
| 11 | U94185DN | Screw, for ref. no. 9, 18..... | 1 |
| 12 | U94185AK | Screw, for front bushing..... | 1 |
| 13 | U94190Y | Front Bushing..... | 1 |
| 14 | U94193X | Oil Seal..... | 1 |
| 15 | U94185EL | Screw, for upper knife guide pin..... | 1 |
| 16 | U94173E | Knife Driving Arm..... | 1 |
| 17 | U94173D | Upper Knife Guide Pin..... | 1 |
| 18 | U94170 | Upper Knife, Style 904, 914..... | 1 |
| 19 | U94172 | Upper Knife Holder, Style 904, 914..... | 1 |
| 20 | U94185DP | Screw, for ref. no. 19..... | 1 |
| 21 | U94172B | Upper Knife Holder, Style 904, 914..... | 1 |
| 22 | U94170B | Upper Knife, Style 904, 914..... | 1 |
| 23 | U94188AE | Washer..... | 1 |
| 24 | U94185DM | Screw..... | 1 |
| 25 | U94171 | Upper Knife Clamp..... | 1 |
| 26 | U94171A | Upper Knife Cover..... | 1 |
| 27 | U94185DS | Screw, for ref. no. 21..... | 1 |
| 28 | U94172C | Upper Knife Holder, Style 916..... | 1 |
| 29 | U94170C | Upper Knife, Style 916..... | 1 |
| 30 | U94185DT | Screw, for ref. no. 28..... | 1 |

NEEDLE COOLER PARTS



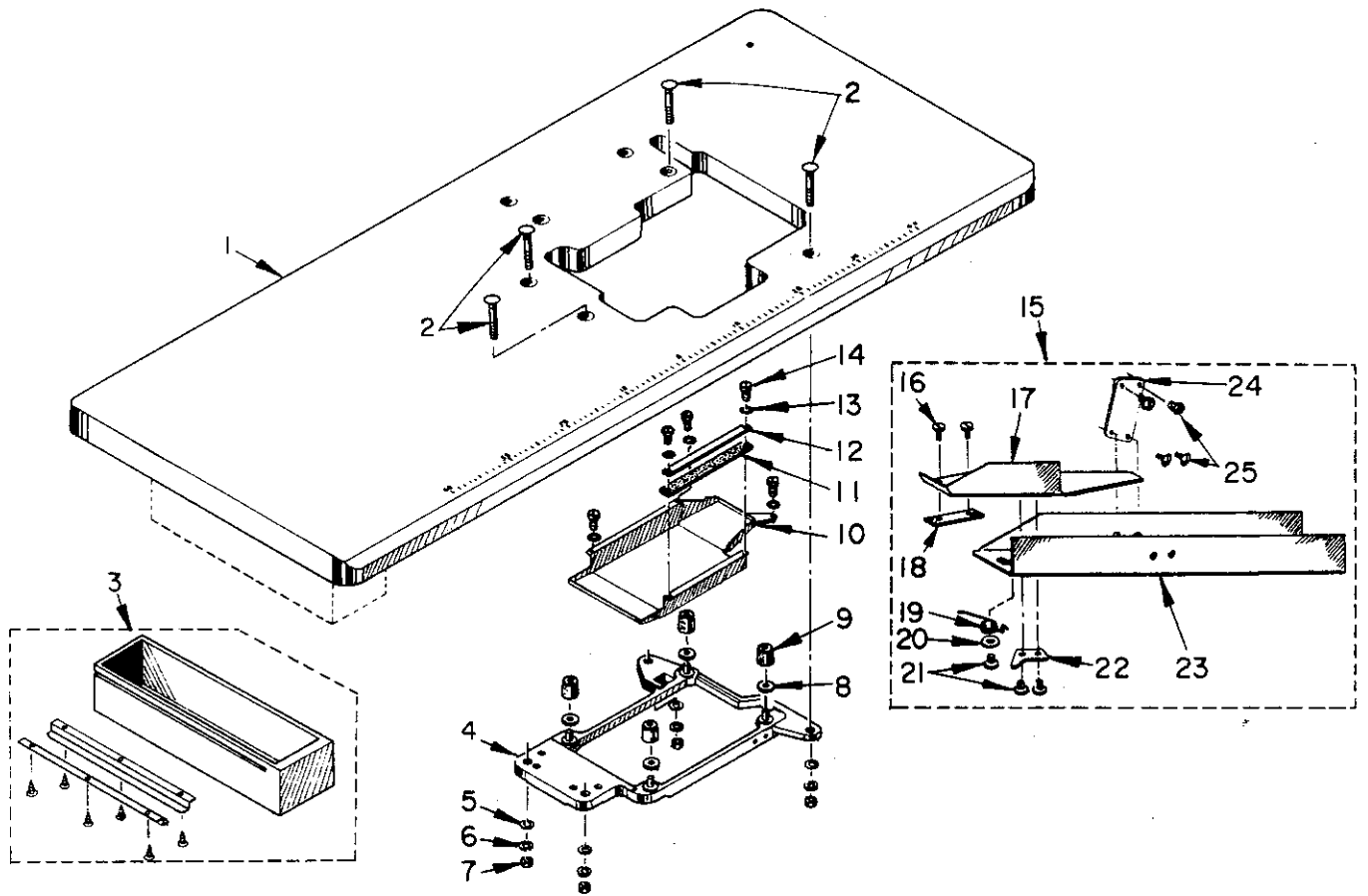
| REF. NO. | PART NO. | DESCRIPTION | AMT. REQ. |
|----------|----------|---|-----------|
| 1A | U21237 | Needle Cooler Assembly, Style 904, 914, ref. no. 1 thru 14..... | 1 |
| 1 | U21237A | Needle Cooler..... | 1 |
| 2 | U94169AK | Felt..... | 1 |
| 3 | U94193BM | Sponge..... | 1 |
| 4 | U21237D | Plate..... | 1 |
| 5 | U94193AC | Oil Wick..... | 1 |
| 6 | U21237C | Wire..... | 1 |
| 7 | U94193AJ | White Vinyl Tube..... | 1 |
| 8 | U94193BK | Oil Connector..... | 2 |
| 9 | U94184J | Gasket..... | 2 |
| 10 | U94185EA | Screw, for oil connector..... | 1 |
| 11 | U94169AL | Plug..... | 2 |
| 12 | U94185CD | Screw..... | 1 |
| 13 | U94185P | Screw..... | 1 |
| 14 | U21237B | Support Bracket..... | 1 |
| 1B | U21237E | Needle Cooler Assembly, Style 916, ref. no. 5 thru 18..... | 1 |
| 15 | U94193BN | Felt..... | 1 |
| 16 | U94193BP | Sponge..... | 1 |
| 17 | U21237F | Plate..... | 1 |
| 18 | U21237G | Needle Cooler..... | 1 |
| 19 | U94184G | Gasket..... | 2 |
| 20 | U94193AH | Oil Connector..... | 1 |
| 21 | U94185DY | Screw, for oil connector..... | 1 |
| 22 | U94193AJ | White Vinyl Tube..... | 1 |
| 23 | U94193BK | Oil Connector..... | 1 |
| 24 | U94184J | Gasket..... | 2 |
| 25 | U94185EA | Screw..... | 1 |
| 26 | U94162A | Silicon Tank Bracket..... | 1 |
| 27 | U94162 | Silicon Oil Tank..... | 1 |
| 28 | U94185CD | Screw, for bracket..... | 2 |
| 29 | U94188E | Washer..... | 2 |
| 30 | U94188AF | Lock Washer..... | 2 |
| 31 | U94169AA | Rubber "O" Ring..... | 1 |
| 32 | U94185DU | Screw..... | 2 |



OIL PUMP PARTS

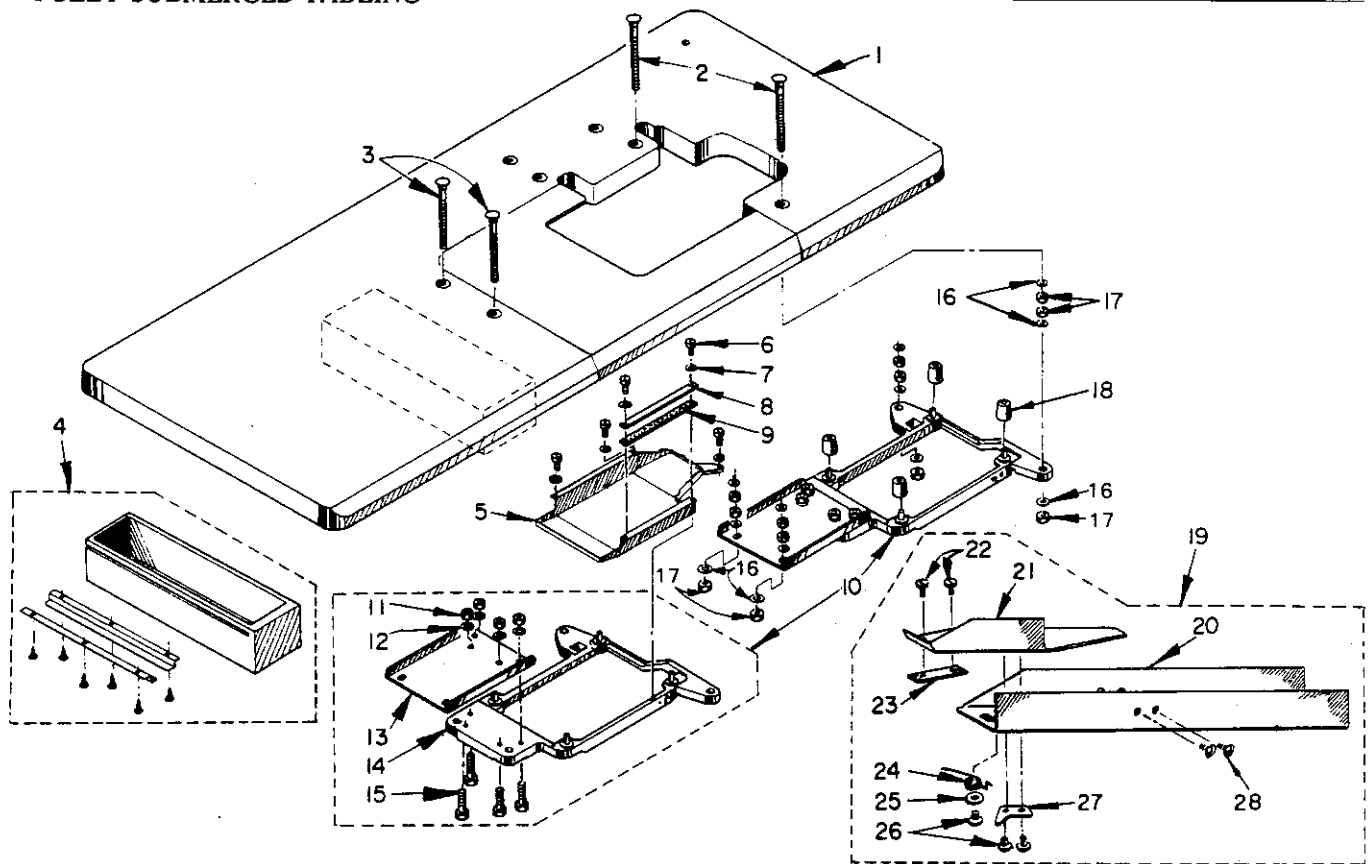
| REF. NO. | PART NO. | DESCRIPTION | AMT. REQ. |
|----------|----------|-------------------------------------|-----------|
| 1 | U94185CL | Screw..... | 1 |
| 2 | U94193AN | Oil Exhaust Holding Bracket..... | 1 |
| 3 | U94188U | Washer..... | 1 |
| 4 | U94193AP | Oil Exhaust Fitting..... | 1 |
| 5 | U94193AJ | Oil Tube..... | 1 |
| 6 | U94185DY | Screw, for oil connector..... | 1 |
| 7 | U94188AG | Washer..... | 1 |
| 8 | U94193AM | Oil Connector..... | 1 |
| 9 | U94193AJ | Oil Tube..... | 1 |
| 10 | U94193AW | Oil Tube Clamp..... | 4 |
| 11 | U94193BG | Oil Distributor Block Assembly..... | 1 |
| 12 | U94193BH | Oil Distributor Block..... | 1 |
| 13 | U94193AB | Oil Fitting..... | 1 |
| 14 | U94185DY | Screw, for worm joint..... | 1 |
| 15 | U94193BL | Worm Joint..... | 1 |
| 16 | U94193BA | Oil Fitting..... | 1 |
| 17 | U94169AJ | Plug..... | 1 |
| 18 | U94185EB | Screw, for distributor block..... | 1 |
| 19 | U94185DV | Screw, for filter cover..... | 4 |
| 20 | U94193 | Filter Cover..... | 1 |
| 21 | U94184H | Filter Gasket..... | 1 |
| 22 | U94193BE | Oil Filter..... | 1 |
| 23 | U94193BF | Filter Guide..... | 1 |
| 24 | U94193BJ | Oil Fitting..... | 1 |
| 25 | U94193AJ | Oil Tube..... | 1 |
| 26 | U94139 | Worm Gear..... | 1 |
| 27 | U94193BS | Oil Pump Assembly..... | 1 |
| 28 | U94139A | Worm Gear, driven..... | 1 |
| 29 | U94185AU | Screw..... | 2 |
| 30 | U94193AY | Oil Pump Shaft..... | 1 |
| 31 | U94193BA | Oil Fitting..... | 1 |
| 32 | U94193BB | Oil Pump..... | 1 |
| 33 | U94193BC | Oil Pump Pinion..... | 1 |
| 34 | U94193BD | Pump End Plate..... | 1 |
| 35 | U94185BV | Screw..... | 3 |
| 36 | U94193DX | Screw, for oil Pump..... | 2 |
| 37 | U94188K | Washer..... | 2 |
| 38 | U94193AL | Filter..... | 1 |
| 39 | U94190AA | Bushing..... | 1 |
| 40 | U94193U | Oil Wick..... | 1 |
| 41 | U94193U | Oil Wick..... | 1 |
| 42 | U94193AR | Upper Looper Guide Oil Felt..... | 1 |
| 43 | U94193AS | Oil Sight Gauge..... | 1 |
| 44 | U94193AT | Oil Sight Gauge Holder..... | 1 |
| 45 | U94188AH | Washer..... | 1 |
| 46 | U94193AU | Oil Float Assembly..... | 1 |
| 47 | U94193AV | Oil Float Assembly..... | 1 |
| 48 | U94185DW | Screw, for oil float support..... | 1 |

SEMI-SUBMERGED TABLING

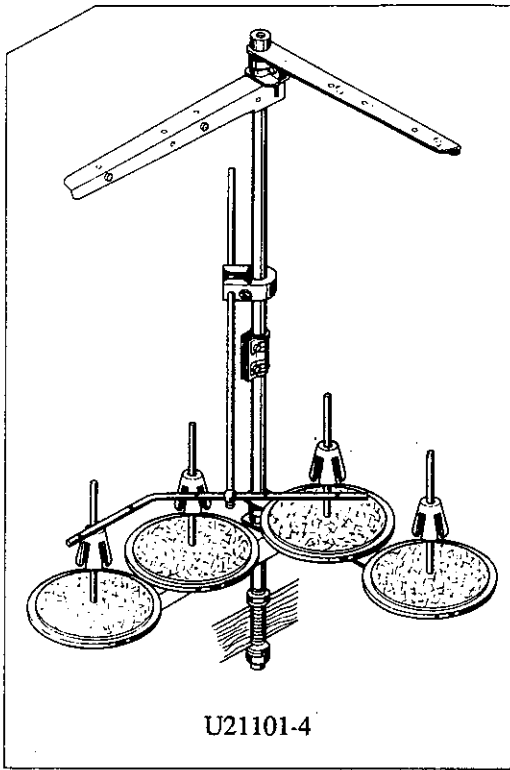


| REF. NO. | PART NO. | DESCRIPTION | AMT. REQ. |
|----------|------------|----------------------------------|-----------|
| 1 | 21374CD-48 | Table Board, semi-submerged..... | 1 |
| 2 | U94185EC | Bolt..... | 4 |
| 3 | 21374Q | Drawer Assembly..... | 1 |
| 4 | U94195 | Machine Support Plate..... | 1 |
| 5 | U94188AK | Washer..... | 4 |
| 6 | U94188AL | Lock Washer..... | 4 |
| 7 | U94187G | Nut..... | 4 |
| 8 | U94188AJ | Spacer..... | 4 |
| 9 | U94195B | Isolator..... | 4 |
| 10 | U94175D | Cooling Fan Case..... | 1 |
| 11 | U94175C | Sponge..... | 1 |
| 12 | U94175B | Sponge Retaining Plate..... | 1 |
| 13 | U94188E | Washer..... | 5 |
| 14 | U94185CE | Screw..... | 5 |
| 15 | U94178M | Chip Chute Assembly..... | 1 |
| 16 | U94185AT | Screw, for upper chip chute..... | 2 |
| 17 | U94178G | Chip Chute, upper..... | 1 |
| 18 | U94178H | Damper..... | 1 |
| 19 | U94178J | Spring..... | 1 |
| 20 | U94188E | Washer..... | 1 |
| 21 | U94185X | Screw..... | 3 |
| 22 | U94178F | Chip Chute Inlet Lever..... | 1 |
| 23 | U94178E | Chip Chute, lower..... | 1 |
| 24 | U94178N | Mounting Bracket..... | 1 |
| 25 | U94185AS | Screw..... | 4 |

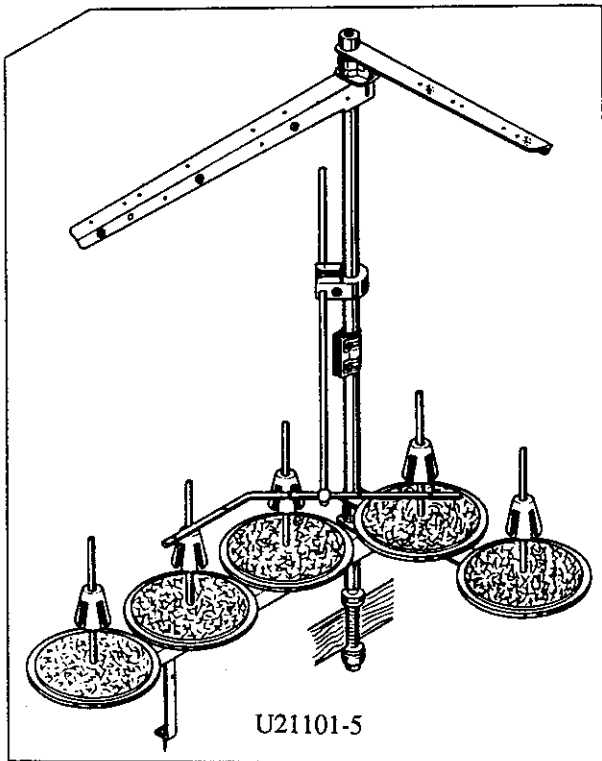
FULLY-SUBMERGED TABLING



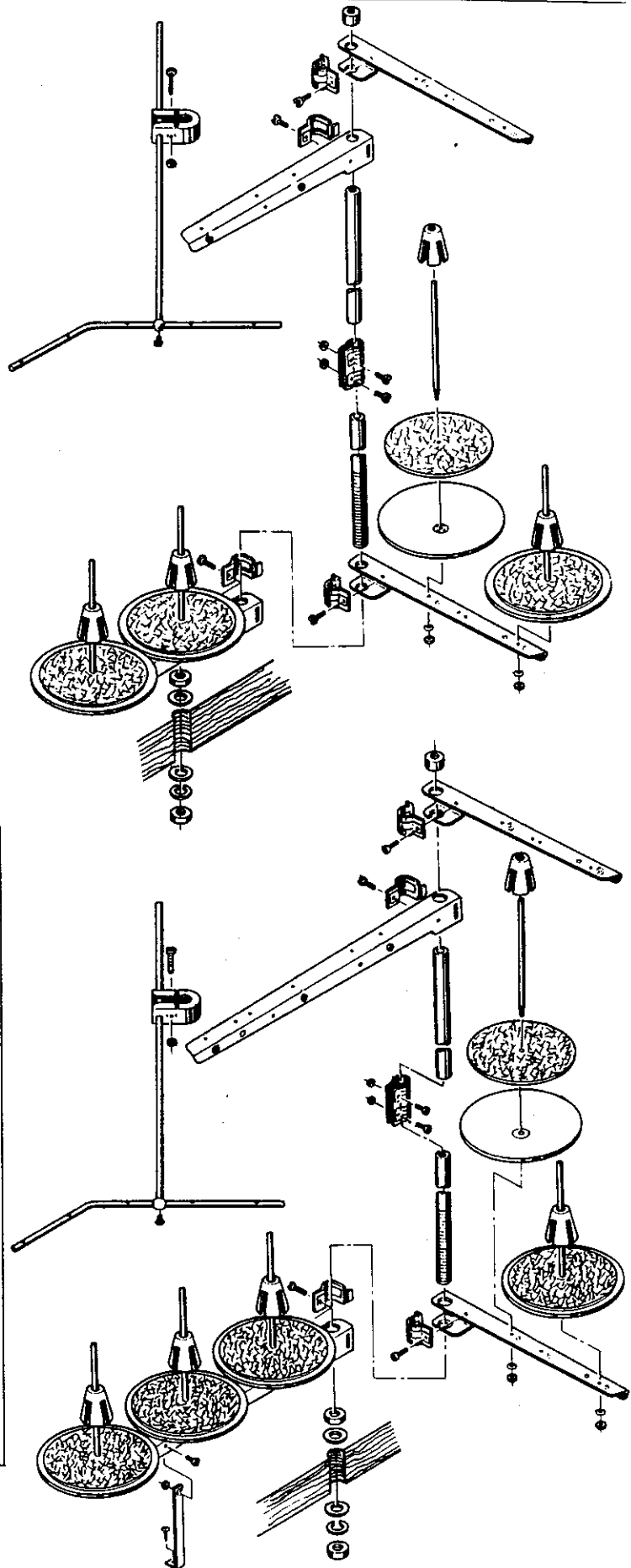
| REF. NO. | PART NO. | DESCRIPTION | AMT. REQ. |
|----------|------------|--------------------------------------|-----------|
| 1 | 21374CE-48 | Table Board, fully submerged..... | 1 |
| 2 | U94185EF | Bolt, right side..... | 2 |
| 3 | U94185EE | Bolt, left side..... | 2 |
| 4 | 21374Q | Drawer Assembly..... | 1 |
| 5 | U94175D | Cooling Fan Case..... | 1 |
| 6 | U94185CE | Screw..... | 5 |
| 7 | U94188E | Washer..... | 5 |
| 8 | U94175B | Sponge Retaining Plate..... | 1 |
| 9 | U94175C | Sponge..... | 1 |
| 10 | U94195A | Machine Support Plate..... | 1 |
| 11 | U94187H | Nut..... | 4 |
| 12 | U94188AM | Washer..... | 4 |
| 13 | U94195C | Auxiliary Machine Support Plate..... | 1 |
| 14 | U94195 | Machine Support Plate..... | 1 |
| 15 | U94185EG | Screw..... | 4 |
| 16 | U94188AK | Washer..... | 12 |
| 17 | U94187G | Nut..... | 12 |
| 18 | U94195B | Isolator..... | 4 |
| 19 | U94178D | Chip Chute Assembly..... | 1 |
| 20 | U94178E | Chip Chute, lower..... | 1 |
| 21 | U94178G | Chip Chute Inlet..... | 1 |
| 22 | U94185AT | Screw..... | 2 |
| 23 | U94178H | Dampener..... | 1 |
| 24 | U94178J | Spring..... | 1 |
| 25 | U94188E | Washer..... | 1 |
| 26 | U94185X | Screw..... | 3 |
| 27 | U94178F | Chip Chute Inlet Lever..... | 1 |
| 28 | U94185AS | Screw, for chip chute..... | 2 |



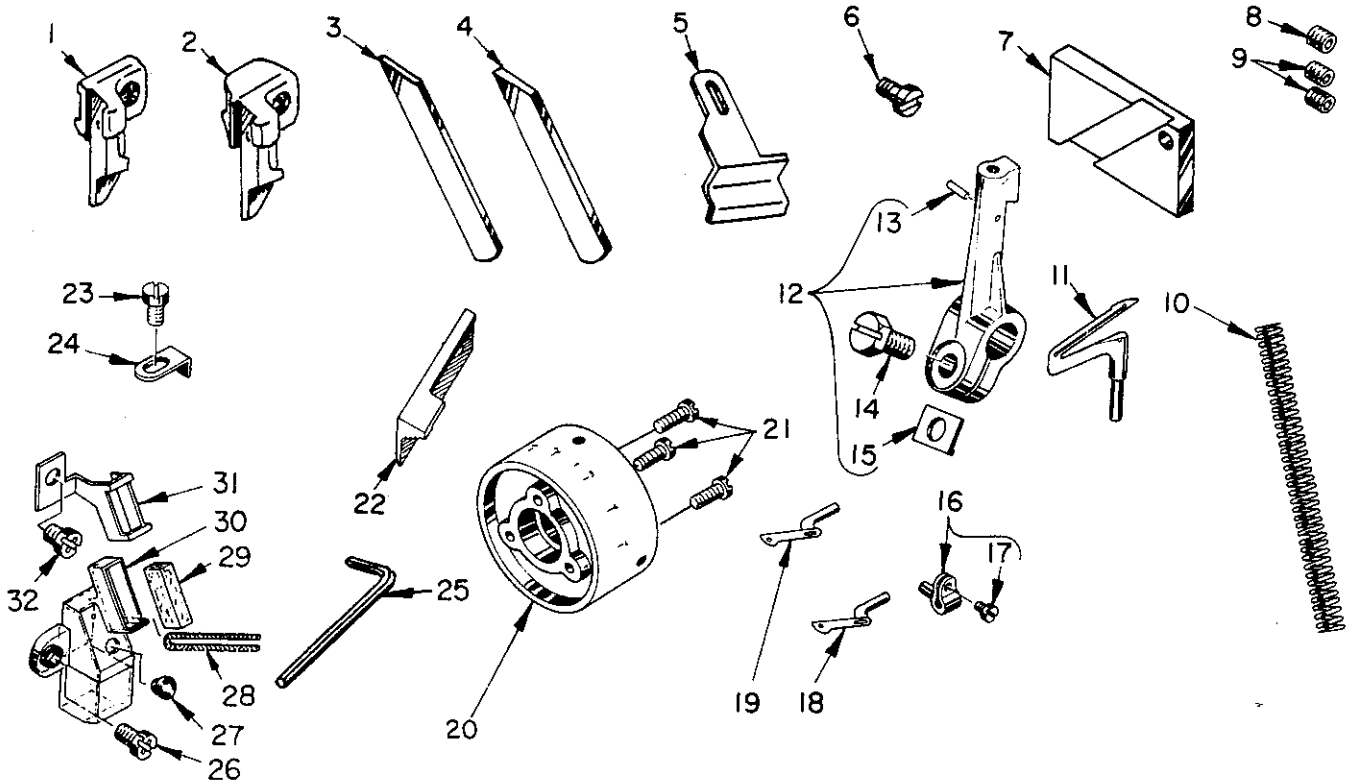
Three/Four Spool Thread Stand Assembly



Five Spool Thread Stand Assembly

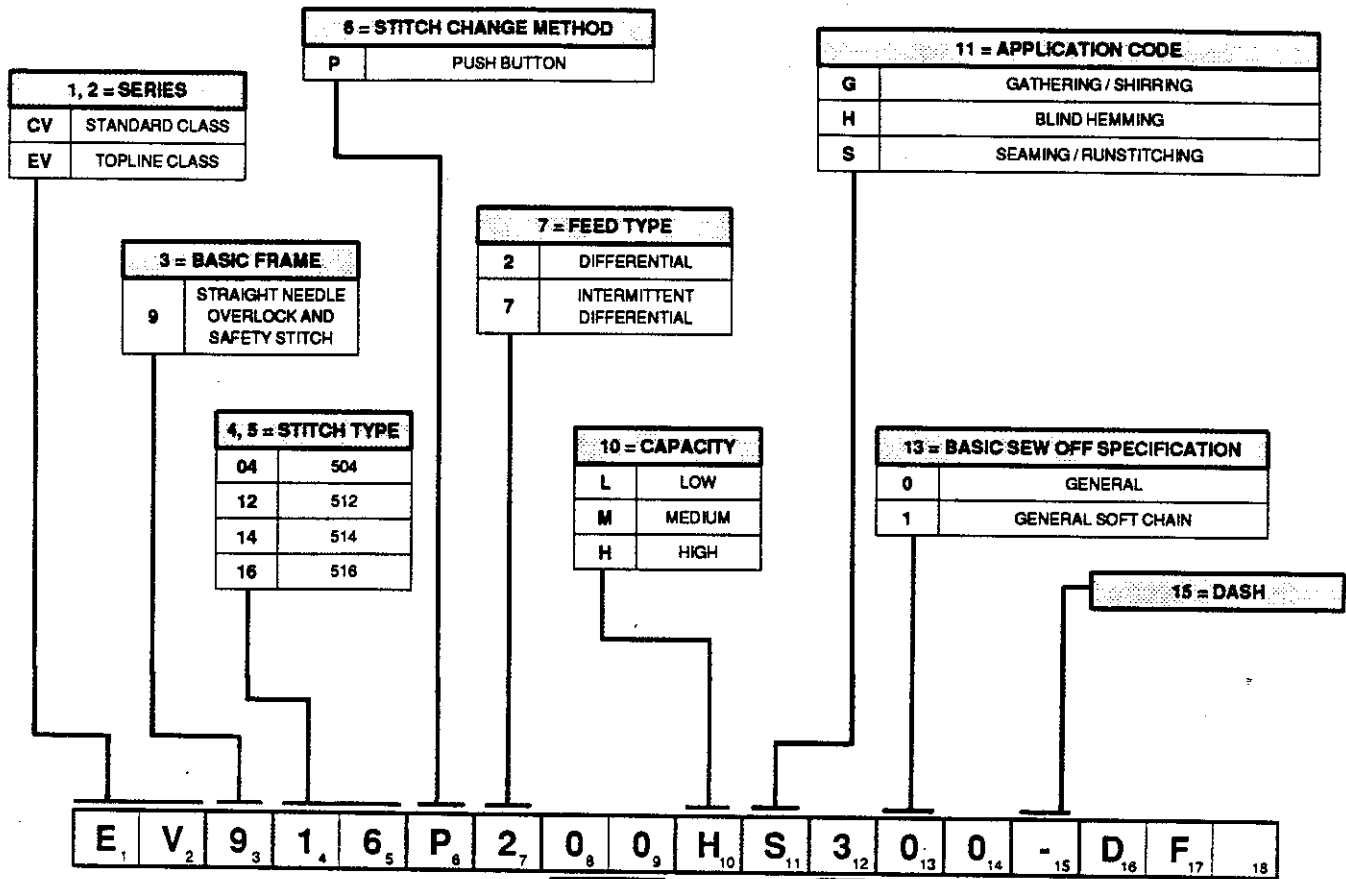


MISCELLANEOUS PARTS



| REF. NO. | PART NO. | DESCRIPTION | AMT. REQ. |
|----------|-------------|--|-----------|
| 1 | U94172D | Upper Knife Holder, Style 904, 914..... | 1 |
| 2 | U94172E | Upper Knife Holder, Style 916..... | 1 |
| 3 | U94149A | Lower Knife, carbide..... | 1 |
| 4 | U94149B | Lower Knife..... | 1 |
| 5 | U94171B | Upper Knife Chain Guard..... | 1 |
| 6 | U94185BT | Screw..... | 1 |
| 7 | U21227 | Gauge, for setting angle on lower knife | 1 |
| 8 | U94185A | Screw, Style 904, for needle set | 1 |
| 9 | U94185A | Screw, Style, 914, 916, for needle set | 2 |
| 10 | U94157A | Spring, for light-weight materials | 1 |
| 11 | U94108-K804 | Lower Loper, for wide width..... | 1 |
| 12 | U94143AK | Lower Loper Drive Arm Assembly, for wide width | 1 |
| 13 | U94169AB | Roll Pin..... | 1 |
| 14 | U94185W | Screw..... | 1 |
| 15 | U94188AA | Washer..... | 1 |
| 16 | U94148A | Upper Loper Holder..... | 1 |
| 17 | U94185AM | Screw..... | 1 |
| 18 | U94108-J040 | Upper Loper, Style 904, 916..... | 1 |
| 19 | U94108-J140 | Upper Loper, Style 914..... | 1 |
| 20 | U94121A | Handwheel, for synchronizer..... | 1 |
| 21 | U94185EJ | Screw, for handwheel..... | 3 |
| 22 | U94170D | Upper Knife, serrated, for heavy-weight materials..... | 1 |
| 23 | U94185EH | Screw, for ref. no. 24..... | 1 |
| 24 | U94130S | Presser Foot Chip Guard..... | 1 |
| 25 | WR65 | Allen Wrench | 1 |
| 26 | U94185DV | Screw | 1 |
| 27 | U94169AH | Rubber Plug | 1 |
| 28 | U94193C | Oil Wick | 1 |
| 29 | U94193AK | Felt | 1 |
| 30 | U94162C | Silicon Oil Tank | 1 |
| 31 | U94162B | Felt Retainer | 1 |
| 32 | U94185C | Screw, for felt retainer | 1 |

CLASSIFICATION GUIDE



| 8, 9 = MECHANICAL OPTIONS | |
|---|----|
| NO OPTIONS | 00 |
| HORIZONTAL CHAIN CUTTER | 12 |
| LATCH TACKER | 14 |
| GENERAL BLIND HEMMING ATTACHMENT | 16 |
| VERTICAL CHAIN CUTTER | 22 |
| GATHERING KIT FOR SAFETY STITCH - PEDAL OPERATION | 33 |
| GATHERING KIT FOR OVERLOCK - PEDAL OPERATION | 34 |
| GATHERING KIT FOR SAFETY STITCH - LEVER OPERATION | 35 |
| GATHERING KIT FOR OVERLOCK - LEVER OPERATION | 36 |
| CHAIN SUCTION DEVICE (BLOWER TYPE) | 37 |
| CHAIN SUCTION DEVICE (PNEUMATIC TYPE) | 38 |
| NEEDLE THREAD TENSION RELEASER | 39 |
| DOUBLE OPTIONS | |
| OPTIONS 22 AND 38 | 67 |
| OPTIONS 14 AND 39 | 68 |
| OPTIONS 12 AND 38 | 69 |
| TRIPLE OPTIONS | |
| OPTIONS 12, 14 AND 38 | 83 |
| OPTIONS 12, 16 AND 38 | 84 |
| OPTIONS 12, 35 AND 38 | 85 |
| QUADRUPLE OPTIONS | |
| OPTIONS 12, 14, 38 AND 39 | 90 |

| 12 = ROWS OF FEED | |
|-------------------|--------|
| 2 | 2 ROWS |
| 3 | 3 ROWS |

| 14 = SPECIAL MACHINE CODE | |
|---|---|
| STANDARD | 0 |
| THROAT PLATE AND DIFFERENTIAL FEED DOG PROVIDED WITH A NOTCHED AREA | 6 |
| UPPER LOOPER HIGH THROW TYPE | 7 |
| UPPER LOOPER EXTRA HIGH THROW TYPE | H |

| 16, 17 AND 18 | | | | | |
|---------------|-----|--------|----------------|-----|--------|
| NEEDLE GAUGE | | | OVEREDGE WIDTH | | |
| CODE | mm | INCHES | CODE | mm | INCHES |
| Z | 0.8 | 1/32 | A | 1.6 | 1/16 |
| X | 1.2 | 3/64 | B | 2.0 | 5/64 |
| A | 1.6 | 1/16 | C | 2.4 | 3/32 |
| B | 2.0 | 5/64 | D | 3.2 | 1/8 |
| C | 2.4 | 3/32 | E | 4.0 | 5/32 |
| D | 3.2 | 1/8 | F | 4.8 | 3/16 |
| E | 4.0 | 5/32 | G | 5.6 | 7/32 |
| F | 4.8 | 3/16 | H | 6.4 | 1/4 |
| R | 6.8 | 17/64 | | | |

NUMERICAL INDEX OF PARTS

| Part No. | Page No. | Part No. | Page No. | Part No. | Page No. | Part No. | Page No. |
|-------------------|----------|---------------|----------|----------------|----------|---------------|----------|
| 21374Q | 36 | U94125C | 31 | U94137 | 21 | U94150L | 31 |
| 21374Q | 37 | U94125D | 31 | U94137A | 21 | U94151 | 15 |
| 21374CD-48 | 36 | U94125E | 31 | U94137B | 21 | U94151A | 15 |
| 21374CE-48 | 37 | U94125F | 23 | U94137C | 21 | U94152 | 15 |
| U21101-4 | 38 | U94126 | 19 | U94137F | 21 | U94152A | 15 |
| U21101-5 | 38 | U94126A | 19 | U94137K | 21 | U94152B | 15 |
| U21227 | 39 | U94126B | 19 | U94139 | 13 | U94152C | 15 |
| U21237 | 33 | U94130 | 27 | U94139 | 35 | U94152D | 13 |
| U21237A | 33 | U94130A | 27 | U94139A | 35 | U94152E | 15 |
| U21237B | 33 | U94130B | 27 | U94143 | 11 | U94152F | 15 |
| U21237C | 33 | U94130C | 27 | U94143A | 13 | U94152G | 15 |
| U21237D | 33 | U94130D | 27 | U94143AA | 24 | U94152H | 15 |
| U21237E | 33 | U94130E | 27 | U94143AB | 24 | U94152J | 17 |
| U21237F | 33 | U94130F | 27 | U94143AC | 24 | U94152K | 15 |
| U21237G | 33 | U94130G | 27 | U94143AD | 24 | U94152L | 15 |
| U94101 | 9 | U94130H | 27 | U94143AE | 24 | U94155 | 25 |
| U94101D | 9 | U94130J | 27 | U94143AF | 24 | U94155A | 25 |
| U94101E | 9 | U94130K | 27 | U94143AG | 24 | U94155B | 25 |
| U94101F | 9 | U94130L | 27 | U94143AH | 24 | U94155C | 25 |
| U94101G | 31 | U94130M | 27 | U94143AJ | 13 | U94155D | 25 |
| U94101H | 31 | U94130N | 27 | U94143AK | 39 | U94155E | 25 |
| U94101J | 31 | U94130P | 27 | U94143A | 13 | U94155F | 25 |
| U94105 | 19 | U94130R | 27 | U94143B | 13 | U94155G | 25 |
| U94105A | 19 | U94130S | 39 | U94143C | 13 | U94155H | 25 |
| U94105B | 19 | U94130W | 27 | U94143D | 13 | U94155J | 25 |
| U94105C | 19 | U94134 | 17 | U94143E | 23 | U94155K | 25 |
| U94105D | 19 | U94134A | 19 | U94143F | 23 | U94155L | 25 |
| U94108-80 | 23 | U94134B | 19 | U94143G | 23 | U94155M | 25 |
| U94108-81 | 23 | U94134C | 19 | U94143H | 23 | U94155N | 25 |
| U94108-92 | 23 | U94134D | 19 | U94143J | 23 | U94155P | 25 |
| U94108-993 | 23 | U94134E | 19 | U94143K | 23 | U94155R | 25 |
| U94108-J040 | 39 | U94134F | 19 | U94143L | 23 | U94156 | 27 |
| U94108-J140 | 39 | U94134G | 19 | U94143M | 23 | U94156A | 27 |
| U94108-K804 | 39 | U94134H | 19 | U94143N | 23 | U94157 | 25 |
| U94109-294 | 24 | U94134J | 19 | U94143P | 23 | U94157A | 39 |
| U94118 | 15 | U94134K | 19 | U94143R | 23 | U94158 | 15 |
| U94118A | 15 | U94134L | 19 | U94143S | 23 | U94158A | 15 |
| U94118B | 15 | U94134M | 19 | U94143T | 23 | U94158B | 15 |
| U94120B | 27 | U94134N | 19 | U94143U | 24 | U94158C | 15 |
| U94120C | 27 | U94134P | 19 | U94143V | 24 | U94158D | 15 |
| U94120D | 27 | U94134R | 19 | U94143W | 24 | U94158E | 15 |
| U94120E | 27 | U94134S | 19 | U94143X | 24 | U94158F | 15 |
| U94120F | 27 | U94134T | 19 | U94143Y | 24 | U94158G | 29 |
| U94120G | 27 | U94134U | 19 | U94148 | 23 | U94158H | 29 |
| U94120J | 27 | U94134V | 19 | U94148A | 39 | U94158J | 29 |
| U94121 | 13 | U94134W | 19 | U94149 | 31 | U94158N | 29 |
| U94121A | 39 | U94136 | 17 | U94149A | 39 | U94158P | 29 |
| U94121B | 13 | U94136A | 17 | U94149B | 39 | U94158R | 29 |
| U94122 | 13 | U94136B | 17 | U94150 | 31 | U94158S | 29 |
| U94122A | 17 | U94136C | 17 | U94150A | 31 | U94158T | 29 |
| U94122B | 19 | U94136D | 17 | U94150B | 31 | U94159 | 11 |
| U94123 | 29 | U94136G | 17 | U94150C | 31 | U94162 | 33 |
| U94123A | 29 | U94136H | 17 | U94150D | 31 | U94162A | 33 |
| U94124A | 31 | U94136J | 17 | U94150E | 31 | U94162B | 39 |
| U94124B | 31 | U94136K | 17 | U94150F | 31 | U94162C | 39 |
| U94124C | 31 | U94136L | 17 | U94150G | 31 | U94162D | 15 |
| U94125 | 31 | U94136M | 17 | U94150H | 31 | U94168 | 23 |
| U94125A | 31 | U94136N | 17 | U94150J | 31 | U94168A | 23 |
| U94125B | 31 | U94136P | 19 | U94150K | 31 | U94168B | 23 |

NUMERICAL INDEX OF PARTS

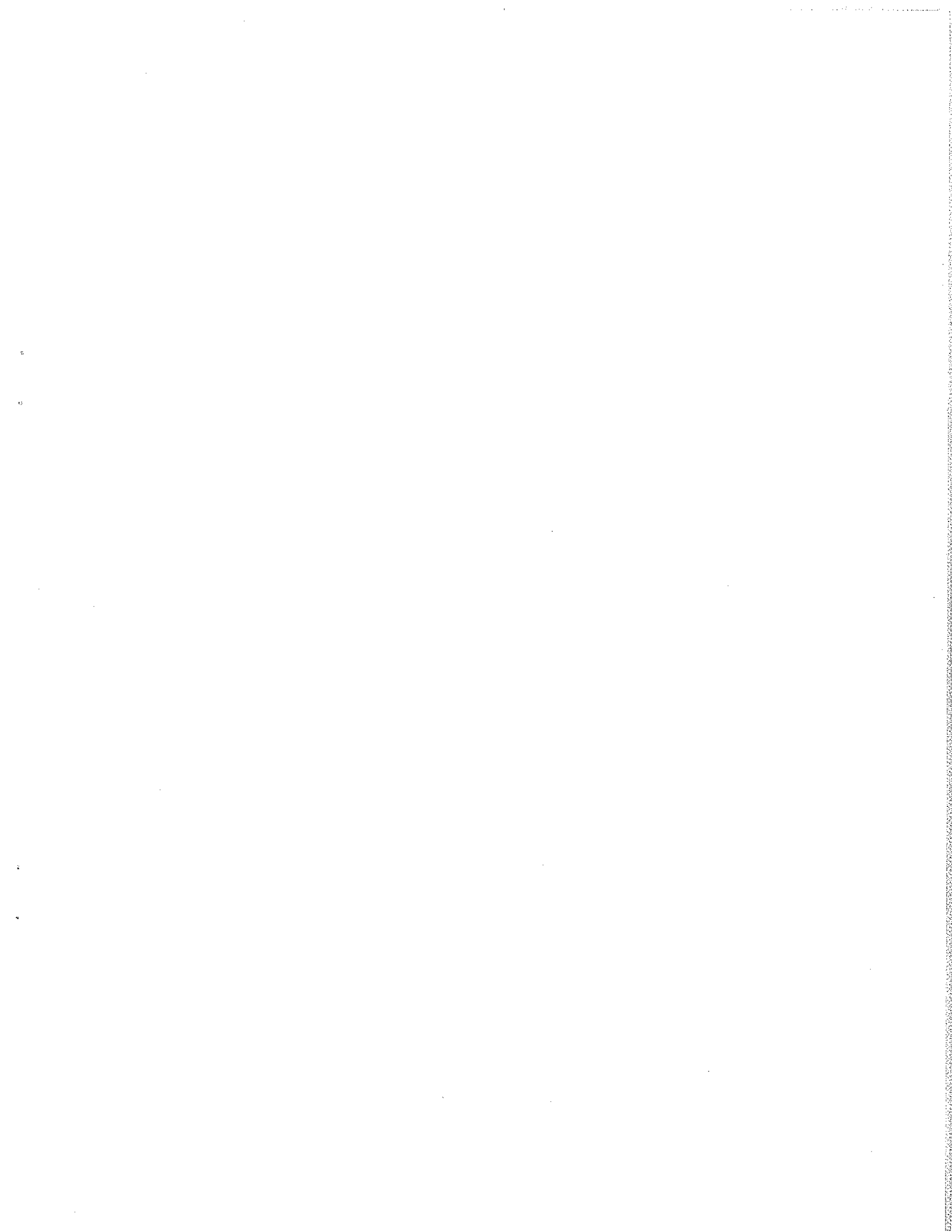
| Part No. | Page No. | Part No. | Page No. | Part No. | Page No. | Part No. | Page No. |
|----------|----------|----------|----------|----------|----------|----------|----------|
| U94168C | 23 | U94173B | 32 | U94184J | 33 | U94185BL | 32 |
| U94168D | 23 | U94173C | 32 | U94185 | 9 | U94185BM | 19 |
| U94168E | 23 | U94173D | 32 | U94185 | 24 | U94185BN | 19 |
| U94168F | 23 | U94173E | 32 | U94185 | 29 | U94185BN | 21 |
| U94168G | 23 | U94175B | 36 | U94815A | 9 | U94185BN | 24 |
| U94168H | 29 | U94175B | 37 | U94815A | 39 | U94185BN | 31 |
| U94168J | 29 | U94175C | 36 | U94185AA | 11 | U94185BP | 19 |
| U94168K | 29 | U94175C | 37 | U94185AB | 13 | U94185BR | 19 |
| U94168N | 29 | U94175D | 36 | U94185AC | 13 | U94185BS | 19 |
| U94169AA | 33 | U94175D | 37 | U94185AD | 13 | U94185BT | 19 |
| U94169AB | 23 | U94178 | 9 | U94185AE | 13 | U94185BT | 31 |
| U94169AB | 24 | U94178A | 9 | U94185AF | 13 | U94185BT | 39 |
| U94169AB | 39 | U94178B | 9 | U94185AF | 17 | U94185BU | 21 |
| U94169AC | 31 | U94178C | 9 | U94185AG | 13 | U94185BV | 21 |
| U94169AD | 31 | U94178D | 37 | U94185AH | 13 | U94185BV | 27 |
| U94169AE | 31 | U94178E | 36 | U94185AJ | 13 | U94185BV | 35 |
| U94169AF | 33 | U94178E | 37 | U94185AK | 15 | U94185BW | 21 |
| U94169AG | 33 | U94178F | 36 | U94185AK | 25 | U94185BX | 21 |
| U94169AH | 39 | U94178F | 37 | U94185AK | 32 | U94185BY | 23 |
| U94169AJ | 35 | U94178G | 36 | U94185AL | 15 | U94185C | 9 |
| U94169AK | 33 | U94178G | 37 | U94185AM | 15 | U94185C | 23 |
| U94169AL | 33 | U94178H | 36 | U94185AM | 19 | U94185C | 25 |
| U94169B | 9 | U94178H | 37 | U94185AM | 23 | U94185C | 29 |
| U94169C | 11 | U94178J | 36 | U94185AM | 39 | U94185C | 39 |
| U94169D | 11 | U94178J | 37 | U94185AN | 15 | U94185CA | 23 |
| U94169E | 11 | U94178N | 36 | U94185AP | 15 | U94185CB | 23 |
| U94169F | 13 | U94180 | 31 | U94185AR | 15 | U94185CC | 23 |
| U94169G | 13 | U94180A | 31 | U94185AS | 37 | U94815CC | 27 |
| U94169H | 13 | U94180B | 31 | U94185AT | 15 | U94185CD | 29 |
| U94169J | 15 | U94182 | 9 | U94185AT | 36 | U94185CD | 33 |
| U94169K | 17 | U94182A | 11 | U94185AT | 37 | U94185CE | 23 |
| U94169L | 17 | U94182C | 11 | U94185AU | 15 | U94185CE | 36 |
| U94169M | 17 | U94182D | 9 | U94185AU | 17 | U94185CE | 37 |
| U94169N | 17 | U94182E | 9 | U94185AU | 19 | U94185CF | 23 |
| U94169P | 19 | U94182F | 11 | U94185AU | 29 | U94185CG | 23 |
| U94169P | 23 | U94182H | 11 | U94185AU | 35 | U94185CH | 23 |
| U94169P | 33 | U94182J | 11 | U94185AV | 15 | U94185CJ | 24 |
| U94169R | 19 | U94182K | 9 | U94185AW | 11 | U94185CK | 25 |
| U94169S | 19 | U94182L | 9 | U94185AW | 17 | U94185CL | 25 |
| U94169T | 19 | U94182M | 9 | U94185AW | 19 | U94185CL | 31 |
| U94169U | 19 | U94182N | 9 | U94185AW | 24 | U94185CL | 35 |
| U94169V | 19 | U94182P | 9 | U94185AX | 17 | U94185CM | 25 |
| U94169W | 21 | U94182R | 9 | U94185AX | 23 | U94185CN | 25 |
| U94169X | 21 | U94182S | 9 | U94185AY | 17 | U94185CP | 25 |
| U94170 | 32 | U94182T | 9 | U94185B | 9 | U94185CR | 27 |
| U94170B | 32 | U94182U | 11 | U94185BA | 17 | U94185CS | 23 |
| U94170C | 32 | U94182V | 15 | U94185BA | 24 | U94185CS | 27 |
| U94170D | 39 | U94182W | 11 | U94185BB | 17 | U94185CT | 27 |
| U94171 | 32 | U94182X | 11 | U94185BC | 17 | U94185CU | 27 |
| U94171A | 32 | U94182Y | 9 | U94185BD | 17 | U94185CV | 27 |
| U94171B | 39 | U94184 | 9 | U94185BE | 17 | U94185CW | 27 |
| U94172 | 32 | U94184A | 9 | U94185BF | 15 | U94185CX | 19 |
| U94172A | 32 | U94184B | 9 | U94185BG | 15 | U94185CY | 29 |
| U94172B | 32 | U94184C | 11 | U94185BH | 17 | U94185D | 9 |
| U94172C | 32 | U94184D | 11 | U94185BJ | 17 | U94185D | 17 |
| U94172D | 39 | U94184E | 11 | U94185BJ | 27 | U94185DA | 29 |
| U94172E | 39 | U94184F | 13 | U94185BK | 19 | U94185DB | 29 |
| U94173 | 13 | U94184G | 33 | U94185BK | 21 | U94185DC | 29 |
| U94173A | 32 | U94184H | 35 | U94185BL | 19 | U94185DD | 31 |

NUMERICAL INDEX OF PARTS

| Part No. | Page No. | Part No. | Page No. | Part No. | Page No. | Part No. | Page No. |
|----------|----------|----------|----------|----------|----------|----------|----------|
| U94185DE | 31 | U94185W | 11 | U94188U | 21 | U94193AJ | 33 |
| U94185DF | 31 | U94185W | 13 | U94188U | 35 | U94193AJ | 35 |
| U94185DG | 31 | U94185W | 15 | U94188V | 21 | U94193AK | 39 |
| U94185DH | 31 | U94185W | 17 | U94188W | 21 | U94193AL | 35 |
| U94185DJ | 31 | U94185W | 23 | U94188X | 21 | U94193AM | 35 |
| U94185DK | 31 | U94185W | 24 | U94190 | 13 | U94193AN | 35 |
| U94185DL | 32 | U94185W | 25 | U94190A | 13 | U94193AP | 35 |
| U94185DM | 32 | U94185W | 39 | U94190AA | 35 | U94193AR | 35 |
| U94185DN | 32 | U94185X | 11 | U94190B | 13 | U94193AS | 35 |
| U94185DP | 32 | U94185X | 36 | U94190C | 13 | U94193AT | 35 |
| U94185DR | 32 | U94185X | 37 | U94190D | 13 | U94193AU | 35 |
| U94185DS | 32 | U94185Y | 11 | U94190E | 13 | U94193AV | 35 |
| U94185DT | 32 | U94187 | 9 | U94190G | 13 | U94193AW | 35 |
| U94185DU | 33 | U94187A | 11 | U94190H | 15 | U94193AY | 35 |
| U94185DV | 35 | U94187B | 11 | U94190J | 15 | U94193B | 11 |
| U94185DV | 39 | U94187C | 17 | U94190K | 15 | U94193BA | 35 |
| U94185DW | 35 | U94187D | 17 | U941190L | 15 | U94193BB | 35 |
| U94185DX | 35 | U94187E | 25 | U94190M | 17 | U94193BC | 35 |
| U94185DY | 33 | U94187F | 25 | U94190N | 17 | U94193BD | 35 |
| U94185DY | 35 | U94187G | 36 | U94190P | 17 | U94193BE | 35 |
| U94185E | 9 | U94187H | 37 | U94190S | 23 | U94193BF | 35 |
| U94185E | 11 | U94187J | 27 | U94190T | 23 | U94193BG | 35 |
| U94185E | 17 | U94188 | 9 | U94190U | 24 | U94193BH | 35 |
| U94185E | 29 | U94188A | 9 | U94190V | 24 | U94193BJ | 35 |
| U94185EA | 33 | U94188AA | 23 | U94190W | 24 | U94193BK | 33 |
| U94185EB | 35 | U94188AA | 24 | U94190X | 32 | U94193BL | 35 |
| U94185EC | 36 | U94188AA | 39 | U94190Y | 32 | U94193BM | 33 |
| U94185EE | 37 | U94188AB | 25 | U94190BR | 21 | U94193BN | 33 |
| U94185EF | 37 | U94188AC | 27 | U94192 | 29 | U94193BP | 33 |
| U94185EG | 37 | U94188AD | 31 | U94192A | 29 | U94193BR | 23 |
| U94185EH | 39 | U94188AE | 32 | U94192B | 29 | U94193BS | 35 |
| U94185EJ | 25 | U94188AF | 33 | U94192C | 29 | U94193C | 11 |
| U94185EJ | 39 | U94188AG | 35 | U94192D | 29 | U94193D | 11 |
| U94185EK | 24 | U94188AH | 35 | U94192E | 29 | U94193E | 11 |
| U94185EL | 32 | U94188AJ | 36 | U94192F | 29 | U94193F | 13 |
| U94185F | 9 | U94188AK | 36 | U94192H | 29 | U94193G | 15 |
| U94185G | 9 | U94188AK | 37 | U94192J | 29 | U94193J | 15 |
| U94185G | 11 | U94188AL | 36 | U94192K | 29 | U94193K | 15 |
| U94185H | 9 | U94188AM | 37 | U94192L | 29 | U94193L | 15 |
| U94185H | 31 | U94188B | 15 | U94192M | 29 | U94193M | 15 |
| U94185J | 9 | U94188C | 11 | U94192N | 29 | U94193N | 15 |
| U94185J | 15 | U94188D | 11 | U94192P | 29 | U94193P | 15 |
| U94185K | 9 | U94188E | 11 | U94192R | 29 | U94193R | 15 |
| U94185K | 23 | U94188E | 32 | U94192S | 29 | U94193S | 15 |
| U94185L | 11 | U94188E | 33 | U94192T | 29 | U94193T | 15 |
| U94815L | 13 | U94188E | 36 | U94192U | 29 | U94193U | 15 |
| U94185M | 11 | U94188E | 37 | U94192V | 29 | U94193U | 23 |
| U94185P | 23 | U94188F | 13 | U94192W | 29 | U94193U | 24 |
| U94185P | 31 | U94188G | 13 | U94193 | 35 | U94193U | 35 |
| U94185P | 33 | U94188H | 13 | U94193A | 11 | U94193V | 15 |
| U94185R | 9 | U94188J | 13 | U94193AA | 23 | U94193W | 17 |
| U94185R | 15 | U94188K | 35 | U94193AB | 35 | U94193X | 32 |
| U94185S | 11 | U94188L | 17 | U94193AC | 23 | U94193Y | 17 |
| U94185S | 31 | U94188M | 17 | U94193AC | 33 | U94195 | 36 |
| U94185T | 11 | U94188N | 17 | U94193AD | 23 | U94195 | 37 |
| U94185T | 15 | U94188P | 17 | U94193AE | 23 | U94195A | 37 |
| U94185T | 23 | U94188R | 17 | U94193AF | 23 | U94195B | 36 |
| U94185U | 11 | U94188S | 17 | U94193AG | 24 | U94195B | 37 |
| U94185V | 11 | U94188T | 19 | U94193AH | 33 | U94195C | 37 |

NUMERICAL INDEX OF PARTS

| No. Part | No. Page |
|---------------|-------------|
| U94196 | 11 |
| U94196A | 11 |
| U94197A | 27 |
| U94197B | 27 |
| U94197C | 27 |
| WR65 | 39 |





WORLDWIDE SALES AND SERVICE

Union Special Corporation maintains sales and service facilities throughout the world. These offices will aid you in the selection of the right sewing equipment for your particular operation. Union Special Corporation representatives and servicemen are factory trained and are able to serve your needs promptly and efficiently. Whatever your location, there is a Union Special Corporation representative to serve you. Check with him today.

It is important to remember that LEWIS® and COLUMBIA® machines are also products of Union Special Corporation, thus offering the industry the most complete line of the Finest Quality sewing machines.

Gainesville, GA
Norcross, GA
Chicago, IL
Carrollton, TX
Commerce, CA
Philadelphia, PA
Opa-Locka, FL
Montreal, Quebec
Toronto, Ontario
Brussels, Belgium
Leicester, England
Paris, France
Stuttgart, W. Germany
Milano, Italy
Hong Kong
Osaka, Japan
Other Representatives
throughout all parts of the
world.

 **Union Special**
Finest Quality INDUSTRIAL SEWING EQUIPMENT
