

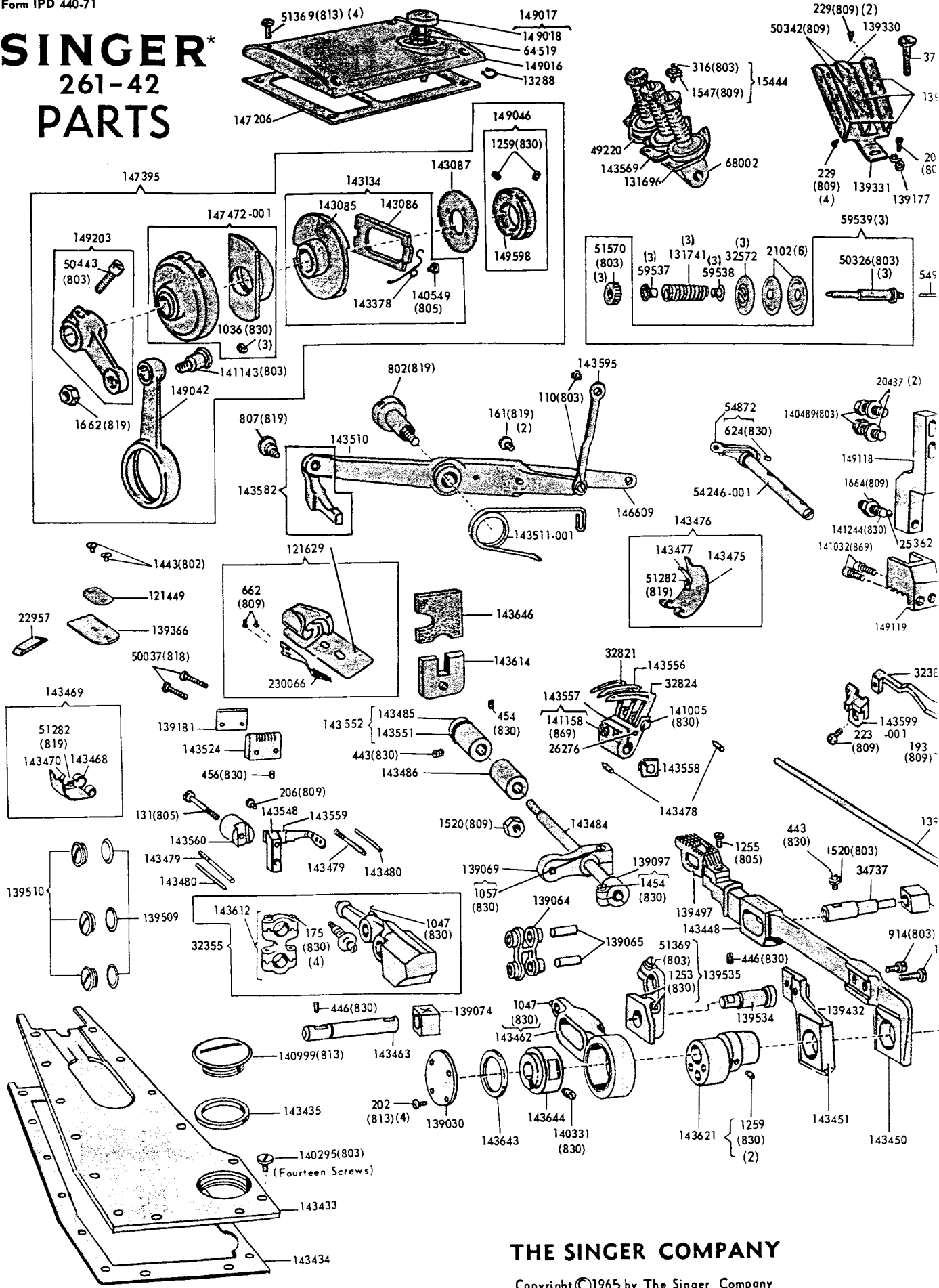
SINGER

261-42

SINGER*

261-42

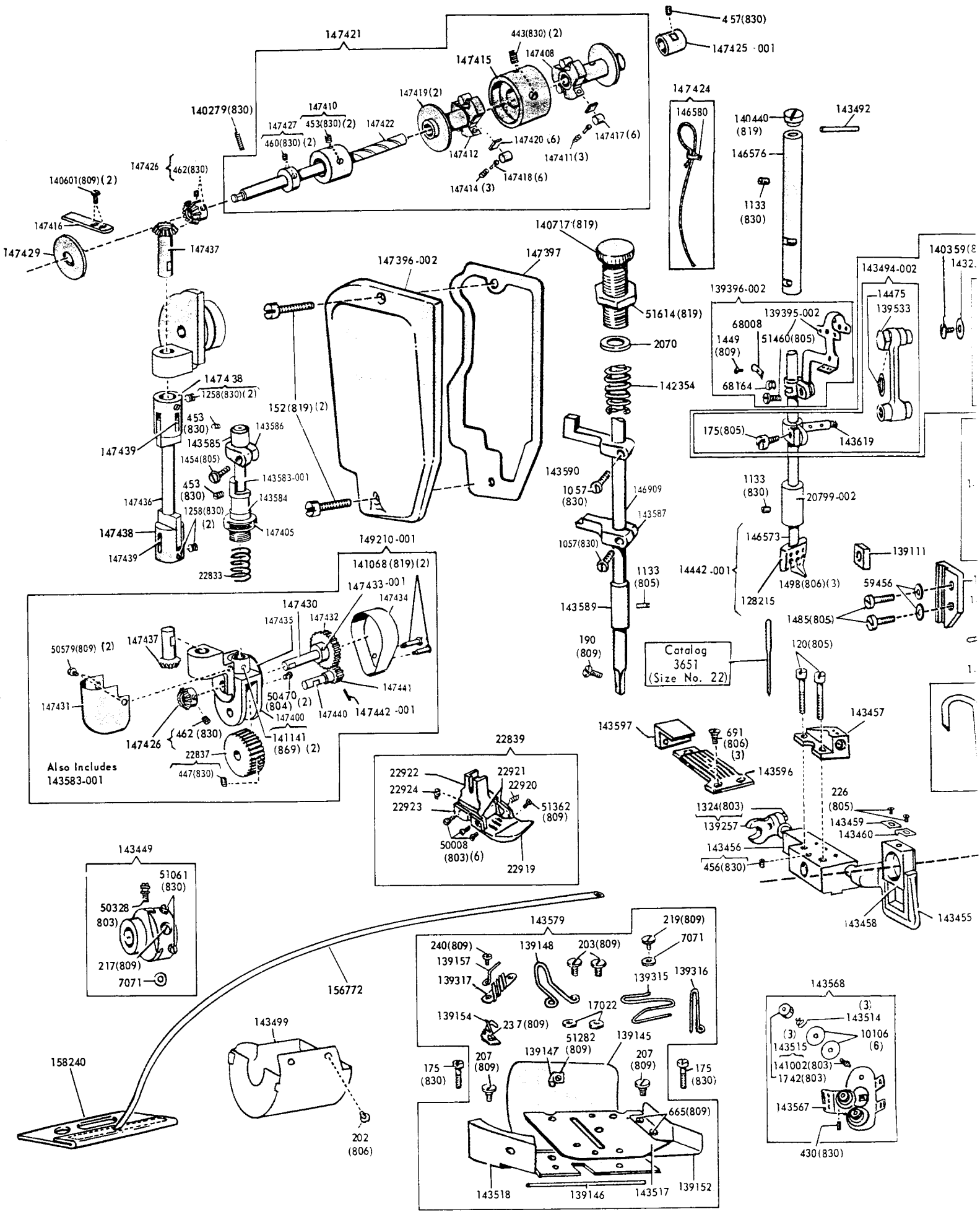
PARTS

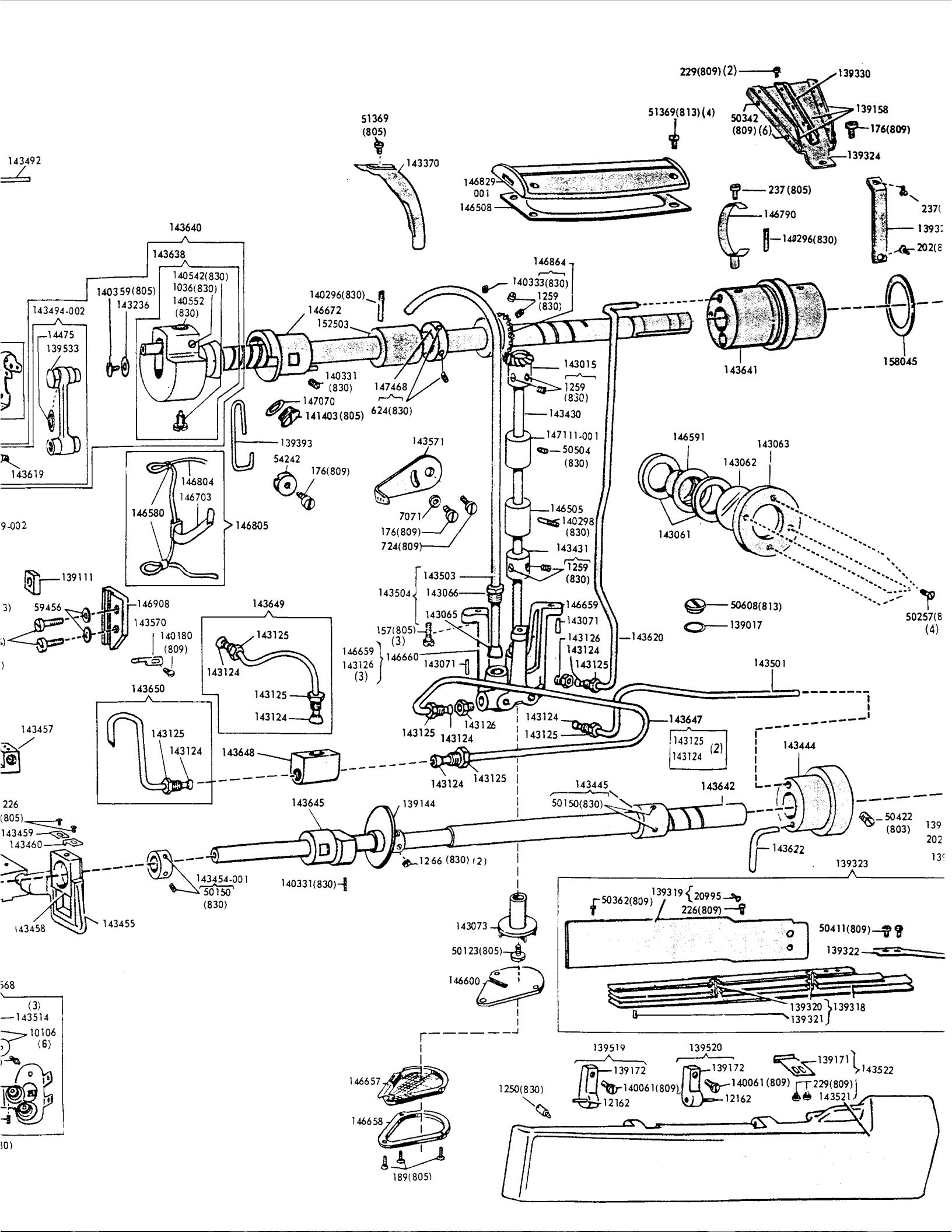


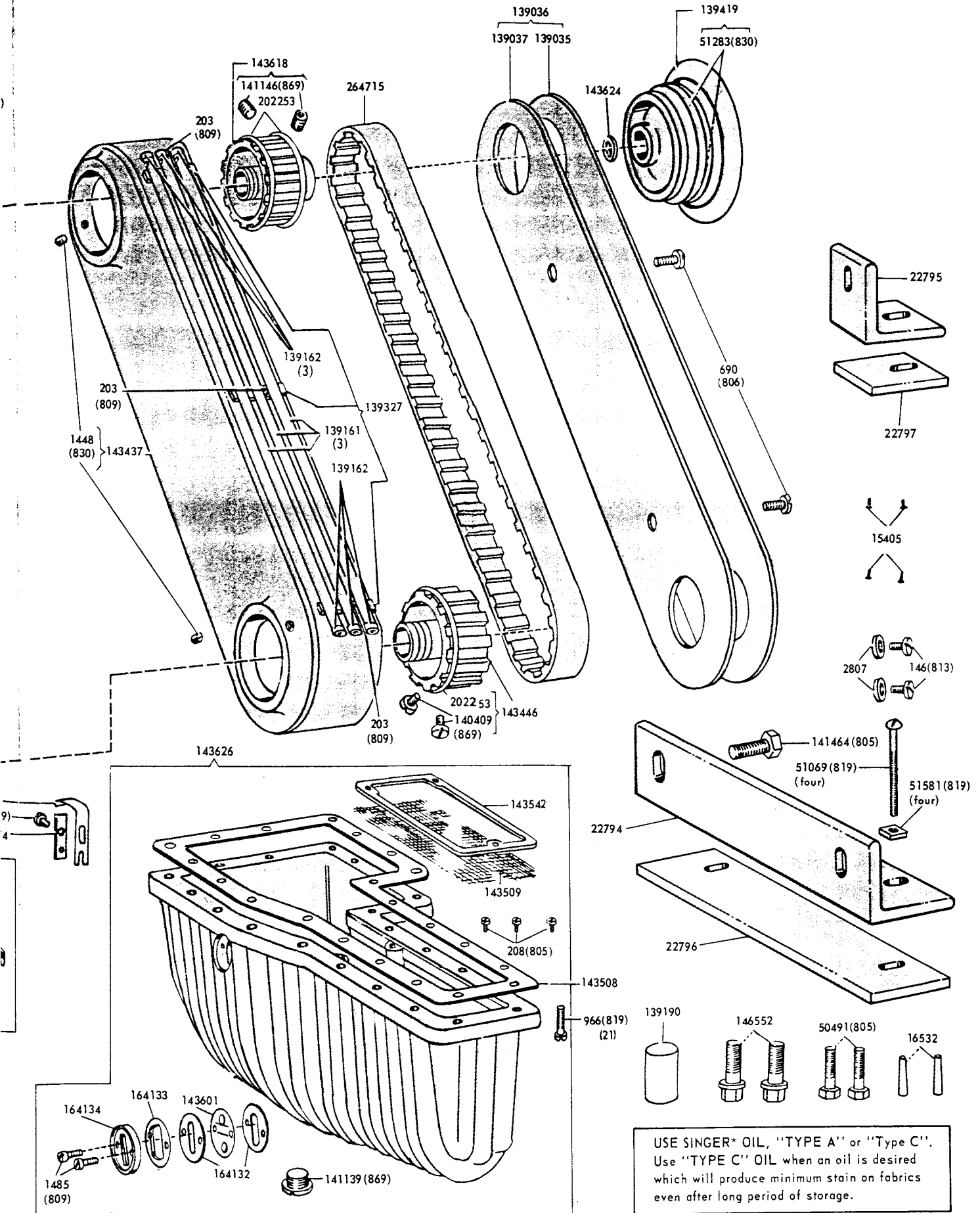
THE SINGER COMPANY

Copyright ©1965 by The Singer Company
 All Rights Reserved under Inter-American Copyright Union
 Copyright under International Copyright Union

*A Trademark of THE SINGER COMPANY







USE SINGER* OIL, "TYPE A" or "Type C".
 Use "TYPE C" OIL when an oil is desired
 which will produce minimum stain on fabrics
 even after long period of storage.

NUMBER	DESCRIPTION	NUMBER	DESCRIPTION	NUMBER	DESCRIPTION
143626	Oil Reservoir complete, Nos. 141139(869), 143509, 143542, 143601, 164133, 164134, two each 1485(809), 164132 and three 208(830)	146790	Arm Rotary Shaft Flanged Bushing (back) Oil Sump Tube with Holder	147422	Feed Roll Clutch Shaft
143638	Arm Rotary Shaft with 1036(830), 140542 and Crank	146804	Needle Bar Bushing (lower and upper) Oil Wick	147424	Feed Roll Clutch Shaft Arm Bushing (front) Oil Wick with 146580
143640	Arm Rotary Shaft 143638 with 140359(805), 143236 and 143494-002	146805	Needle Bar Bushing (lower and upper) Oil Wick complete, Nos. 146703, 146804 and two 146580	147425-001	Feed Roll Clutch Shaft Arm Bushing (rear)
143641	Arm Rotary Shaft Flanged Bushing (back)	146829-001	Arm Top Cover (back)	147426	Feed Roll Clutch Shaft Bevel Gear with two 462(830)
143642	Bed Rotary Shaft	146864	Arm Rotary Shaft Bevel Gear, right hand spiral with 140333(830) and two 1259(830)	147426	Feed Roll Driving Shaft (horizontal) Bevel Gear with two 462(830)
143643	Bed Rotary Shaft Bushing (left) "O" Ring			147427	Feed Roll Clutch Shaft Collar with two 460(830)
143644	Bed Rotary Shaft Bushing (left)	146908	Needle Bar Connecting Stud Slide Block Guide	147429	Feed Roll Clutch Shaft Oil Retainer (felt)
143645	Bed Rotary Shaft Bushing (intermediate)	146909	Presser Bar	147430	Feed Roll Driving Shaft (horizontal)
143646	Bed Cover Reinforcing Plate Gasket	147070	Arm Hole Plug Screw Washer	147431	Feed Roll Driving Shaft (horizontal) Bevel Gear Cover
143647	Oil Tube with two 143124 and 143125	147111-001	Arm Shaft (upright) Bushing (upper)	147432	Feed Roll Driving Shaft (horizontal) Spur Gear
143648	Bed Rotary Shaft Bushing (left) and Looper Avoid Bracket Oil Tube Connection	147206	Arm Top Cover (front) Gasket	147433-001	Feed Roll Driving Shaft (horizontal) Spur Gear Pin (1/2 in. long)
143649	Bed Rotary Shaft Bushing (left) and Looper Avoid Bracket Oil Tube with two each 143124 and 143125	147395	Combination of Feed Roll Feed Parts 1662(819), 141143(803), 143087, 143134, 147472-001, 149042, 149046 and 149203	147434	Feed Roll Driving Shaft (horizontal) Spur Gear and Feed Roll Shaft Spur Gear Cover
143650	Bed Rotary Shaft Bushing (left) Oil Tube with 143124 and 143125	147396-002	Face Plate	147435	Feed Roll Driving Shaft (horizontal) Spur Gear and Feed Roll Shaft Spur Gear Cover Plate
146505	Arm Shaft (upright) Bushing (lower)	147397	Face Plate Gasket	147436	Feed Roll Driving Shaft (upright)
146508	Arm Top Cover Gasket	147400	Feed Roll Bracket with two 141141(869)	147437	Feed Roll Driving Shaft (upright) Bevel Gear (lower)
146552	Arm Screw (right) (2)	147405	Feed Roll Bracket Pressure Spring Adjusting Nut	147437	Feed Roll Driving Shaft (upright) Bevel Gear (upper)
146573	Needle Bar (hollow)	147408	Feed Roll Clutch (brake)	147438	Feed Roll Driving Shaft (upright) Bevel Gear (lower)
146576	Needle Bar Bushing (upper)	147410	Feed Roll Clutch (brake) Bushing with two 453(830)	147439	Feed Roll Driving Shaft (upright) Hinge Pin (3/4 in. long) (2)
146580	Feed Roll Clutch Shaft Arm Bushing (front)	147411	Feed Roll Clutch (brake) Member Spring (3)	147440	Feed Roll Shaft
146580	Oil Wick Clip	147412	Feed Roll Clutch (drive)	147441	Feed Roll Shaft Spur Gear
146591	Oil Flow Body	147414	Feed Roll Clutch (drive) Member Spring (3)	147442-001	Feed Roll Shaft Spur Gear Pin (1/2 in. long)
146600	Oil Pump (centrifugal) Cover	147415	Feed Roll Clutch Body with two 443(830)	147468	Arm Rotary Shaft Thrust Collar with two 624(830)
146609	Presser Bar Lifting Lever Extension	147416	Feed Roll Clutch Position Bracket	147472-001	Feed Roll Eccentric
146657	Oil Pump (centrifugal) Screen	147417	Feed Roll Clutch Roller (6)	149016	Arm Top Cover (front)
146658	Oil Pump (centrifugal) Screen Frame	147418	Feed Roll Clutch Roller Plunger (6)	149017	Arm Top Cover (front) with Stitch Regulator Plunger complete, Nos. 13288, 64519, 149016 and 149018
146659	Oil Pump (centrifugal) Body	147419	Feed Roll Clutch Washer (2)	149018	Arm Top Cover (front) Stitch Regulator Plunger
146660	Oil Pump (centrifugal) Body 146659 with three 143126	147420	Feed Roll Clutch Wearing Plate (6)	149042	Feed Roll Eccentric Connecting Rod
146672	Arm Rotary Shaft Flanged Bushing (front) with Drain Tube	147421	Feed Roll Clutch and Shaft complete, Nos. 147408, 147410, 147412, 147415, 147422, 147427, two 147419, three 147411, 147414 and six each 147417, 147418 and 147420		
146703	Needle Bar Bushing (lower and upper) Oil Wick Clamp and Retainer				
146752	Presser Bar Stop with 190(809)				

NUMBER	DESCRIPTION	NUMBER	DESCRIPTION	NUMBER	DESCRIPTION
139324	Thread (looper) Thread Guide Bracket	140061(809)	Thread (looper) Thread Guide (front of bed) Cover Hinge Plate Screw (2)	141068(819)	Feed Roll Driving Shaft (horizontal) Spur Gear and Feed Roll Shaft Spur Gear Cover Screw (2)
139325	Thread (looper) Thread Guide Bracket Support	140180(809)	Thread Guide (front of arm) Screw	141139(869)	Oil Reservoir Drain Plug
139327	Thread (looper) Thread Tube (belt guard) complete, Nos. three 139161 and six 139162	140279(830)	Feed Roll Clutch Shaft Arm Bushing (front) Set Screw	141141(869)	Feed Roll Bracket Shaft Set Screw (2)
139330	Thread (looper) Thread Guide (intermediate) Bracket	140295(803)	Bed Cover Screw (14)	141143(803)	Feed Roll Eccentric Connecting Rod Hinge Screw
139330	Thread (needle) Thread Guide (intermediate) Bracket	140296(830)	Arm Rotary Shaft Flanged Bushing (back) Set Screw	141146(869)	Arm Rotary Shaft Sprocket Wheel Set Screw (2)
139331	Thread (needle) Thread Guide Bracket	140298(830)	Arm Shaft (upright) Bushing (lower) Set Screw	141158(869)	Looper Holder Clamping Screw
139366	Lap Seam Feller Slide	140331(830)	Arm Rotary Shaft Flanged Bushing (front) Set Screw	141244(830)	Feed Roll Guide Bar Adjusting Screw
139393	Slack Thread Controller	140331(830)	Bed Rotary Shaft Bushing (intermediate) Set Screw	141403(805)	Arm Hole Plug Screw
139395-002	Thread (needle) Take-up with 51460(805)	140331(830)	Bed Rotary Shaft Bushing (intermediate) Set Screw	141464(805)	Machine Mounting Bracket (long) Screw (2)
139396-002	Thread (needle) Take-up complete, Nos. 1449(809), 68008, 68164 and 139395-002	140331(830)	Bed Rotary Shaft Bushing (left) Set Screw	142354	Presser Bar Spring
139419	Machine Pulley "V" belt groove with two 51283(830), for 3/8 in. "V" belt	140333(830)	Arm Rotary Shaft Bevel Gear Position Screw	143015	Arm Shaft (upright) Bevel Gear (upper) left hand spiral with two 1259(830)
139432	Feed Lifting Eccentric Forked Connection	140359(805)	Arm Rotary Shaft Screw Plug (front)	143061	Oil Flow Body Gasket (2)
139497	Feed Dog, 12 teeth (8 teeth to the inch) for 1/8"-1/8" and 9/64"-9/64" gauges, for use with 22839 and 143596 Note: 139497 is furnished as a regular to the machine when called for in standard gauges of 1/8"-1/8" and 9/64"-9/64" Note: When ordering No. 139497, state gauge required.	140409(869)	Bed Rotary Shaft Sprocket Wheel Set Screw (2)	143062	Oil Flow Window
139509	Feed Bar Hinge Pin (eccentric) Gasket	140440(819)	Needle Bar Bushing (upper) Oil Plug Screw	143063	Oil Flow Window Cap
139509	Looper Driving Arm Hinge Stud Gasket	140489(803)	Feed Roll Guide Bar Screw (2)	143065	Oil Pipe Clamping Sleeve
139509	Looper Eccentric Connection Slide Block Stud Gasket	140542(830)	Needle Bar Crank Position Screw	143066	Oil Pipe Clamping Sleeve Nut
139510	Feed Bar Hinge Pin (eccentric) Oil Plug	140549(805)	Feed Roll Feed Regulator Locking Slide Spring Screw	143071	Oil Pump (centrifugal) Body Position Pin (2)
139510	Looper Driving Arm Hinge Stud Oil Plug	140552(830)	Needle Bar Connecting Link Hinge Stud Clamping Screw	143073	Oil Pump (centrifugal) Impeller
139510	Looper Eccentric Connection Slide Block Stud Oil Plug	140601(809)	Feed Roll Clutch Position Bracket Screw (2)	143085	Feed Roll Feed Regulator
139519	Thread (looper) Thread Guide (front of bed) Cover Hinge Plate (left) 139172 with 12162	140607(819)	Arm Top Cover (front) Stitch Regulator Plunger Hole Plug Screw, for plugging the Plunger Hole when the Plunger is removed to prevent tampering with the Stitch Set (for Agents only)	143086	Feed Roll Feed Regulator Locking Slide
139520	Thread (looper) Thread Guide (front of bed) Cover Hinge Plate (right) 139172 with 12162	140717(819)	Pressure Regulating Thumb Screw	143087	Feed Roll Feed Regulator Locking Slide Ratchet Wheel
139533	Needle Bar Connecting Link Screw Cap	140999(813)	Bed Cover Hole Plug Screw	143124	Oil Pipe Clamping Sleeve (7)
139534	Looper Driving Arm Hinge Stud	141002(803)	Tension (looper thread) Screw Stud (3)	143125	Oil Pipe Clamping Sleeve Nut (7)
139535	Looper Eccentric Connection Slide Block Stud Collar and Looper Driving Arm Hinge Stud Support with 51369(803) and two 1253(830)	141005(830)	Looper Clamping Screw	143126	Oil Pipe Clamping Sleeve Adapter (3)
		141032(869)	Feed Roll Guide Bracket Screw (2)	143134	Feed Roll Feed Regulator 143085 with 140549(805), 143086 and 143378
				143236	Arm Rotary Shaft Screw Plug (front) Washer (fiber)
				143370	Oil Lead
				143378	Feed Roll Feed Regulator Locking Slide Spring
				143430	Arm Shaft (upright)
				143431	Arm Shaft (upright) Collar with two 1259(830)
				143433	Bed Cover with Insert and Reinforcing Plate
				143434	Bed Cover Gasket (cork)
				143435	Bed Cover Hole Plug Screw Gasket
				143437	Bed Rotary Shaft Belt Guard with two 1448(830)
				143444	Bed Rotary Shaft Bushing Flanged (right) with plug

NUMBER	DESCRIPTION	NUMBER	DESCRIPTION	NUMBER	DESCRIPTION
1259(830)	Looper Eccentric and Feed Lifting Eccentric Set Screw (2)	15444	Tension (needle thread) Releasing Shaft Stop Screw 316(803) with 1547(809)	32382	Needle Guard (movable) Holder
1266(830)	Thread (looper) Take-up Set Screw (2)	16532	Arm Dowel Pin (2)	32572	Tension (needle thread) Releasing Disc (3)
1324(803)	Looper Avoiding Eccentric Forked Connection Crank Clamping Screw	17022	Thread (looper) Take-up Stripper Screw Washer (2)	32821	Looper (back), for 1/8"-1/8" or 9/64"-9/64" gauges Note: When ordering No. 32821, gauge need not be specified.
1443(802)	Lap Seam Feller Screw (2)	20437	Feed Roll Guide Bar Screw Washer (2)	32824	Looper (front), for 1/8"-1/8" or 9/64"-9/64" gauges Note: When ordering No. 32824, gauge need not be specified.
1448(830)	Bed Rotary Shaft Belt Guard Set Screw (2)	20799-002	Needle Bar Bushing (lower)	34737	Feed Bar Hinge Pin (eccentric)
1449(809)	Thread (needle) Take-up Plate Spring Screw	20995	Thread (looper) Thread Guide (front of bed) Cover Lock Spring Position Pin	49220	Tension (needle thread) Thread Guide (back)
1454(805)	Feed Roll Bracket Shaft Lifting Lever Guide Clamping Screw	22794	Machine Mounting Bracket (long)	50008(803)	Presser Foot Plate Hinge Screw (2)
1454(830)	Looper Holder Shaft Collar Clamping Screw	22795	Machine Mounting Bracket (short)	50008(803)	Presser Foot Plate and Yielding Heel Connection Hinge Screw (2)
1485(805)	Needle Bar Connecting Stud Slide Block Guide Screw (2)	22796	Machine Mounting Bracket (long) Pad	50008(803)	Presser Foot Yielding Heel Hinge Screw (2)
1485(809)	Oil Reservoir Sight Gauge Window Retainer Screw (2)	22797	Machine Mounting Bracket (short) Pad	50037(818)	Thread Cutter and Throat Plate Screw Hole Cover Screw (2)
1498(806)	Needle Set Screw (3)	22833	Feed Roll Bracket Pressure Spring	50123(805)	Oil Pump (centrifugal) Impeller Locking Screw
1520(803)	Feed Bar Hinge Pin Set Screw Lock Nut	22837	Feed Roll with 447(830) Presser Foot (triple hinged) complete, for 1/8"-1/8" and 9/64"-9/64" gauges, Nos. 22919, 22920, 22922, 22923, 22924, 51362(809), two 22921 and six 50008(803)	50150(830)	Bed Rotary Shaft Bushing Flanged (right) Spacing Collar Set Screw (2)
1520(809)	Looper Driving Arm Ball Screw Stud Nut	22839	Presser Foot (triple hinged) complete, for 1/8"-1/8" and 9/64"-9/64" gauges, Nos. 22919, 22920, 22922, 22923, 22924, 51362(809), two 22921 and six 50008(803)	50150(830)	Looper Avoiding Eccentric Set Screw (2)
1547(809)	Tension (needle thread) Releasing Shaft Stop Screw Nut	22919	Presser Foot Plate, for 1/8"-1/8" and 9/64"-9/64" gauges Note: For 1/8"-1/8" order Code 501, for 9/64"-9/64" order Code 502. Note: When ordering No. 22839, Code for gauge required must be stated.	50257(809)	Oil Flow Window Cap Screw (4)
1662(819)	Feed Roll Eccentric Connecting Rod Hinge Screw Nut	22919	Presser Foot Plate, for 1/8"-1/8" and 9/64"-9/64" gauges Note: For 1/8"-1/8" order Code 501. For 9/64"-9/64" order Code 502. Note: When ordering No. 22919, Code for gauge required must be stated.	50326(803)	Tension (needle thread) Screw Stud (3)
1664(809)	Feed Roll Guide Bar Adjusting Screw Nut	22920	Presser Foot Plate Leveling Spring	50328(803)	Feed Regulating Screw
1742(803)	Tension (looper thread) Regulating Thumb Nut (3)	22921	Presser Foot Plate and Yielding Heel Connection (2)	50342(809)	Thread (looper) Thread Guide (intermediate) Screw (2)
2070	Presser Bar Spring Washer	22922	Presser Foot Shank	50342(809)	Thread (looper) Thread Guide (left) Screw (2)
2102	Tension (needle thread) Disc (6)	22923	Presser Foot Yielding Heel	50342(809)	Thread (looper) Thread Guide (right) Screw (2)
2807	Mounting Bracket Screw Washer	22924	Presser Foot Yielding Heel Spring	50342(809)	Thread (needle) Thread Guide (intermediate) Screw (2)
7071	Feed Eccentric Clamping Washer	22927	Presser Foot Yielding Heel Spring	50362(809)	Thread (looper) Thread Guide (front of bed) Screw (left)
7071	Thread (looper) Take-up Thread Guide (right) Screw Washer	22928	Lap Seam Feller Slide Filler Plate	50411(809)	Thread (looper) Thread Guide (front of bed) Thread Retainer Screw (2)
7071	Thread (needle) Eyelet (side of arm) Position Screw Washer	22929	Feed Roll Guide Bar Adjusting Screw	50422(803)	Bed Rotary Shaft Bushing Flanged (right) Set Screw
10106	Tension (looper thread) Disc (6)	22935	Pressure Ball	50443(803)	Feed Roll Clutch Shaft Driving Crank Clamping Screw
12162	Thread (looper) Thread Guide (front of bed) Cover Hinge Pin (2)	26276	Looper Position Pin	50470(804)	Feed Roll Driving Shaft (horizontal) Spur Gear and Feed Roll Shaft Spur Gear Cover Plate Screw (2)
13288	Arm Top Cover (front) Stitch Regulator Plunger Spring Stop Ring	29043	Thread Cutter Screw Washer (2)	50491(805)	Arm Screw (left) (2)
14442-001	Needle Bar complete, for 1/8"-1/8" gauge, Nos. 128215 and 146573 NOTE: For 9/64"-9/64" gauge, order No. 14442-002.	32355	Looper Driving Arm complete (for Agents only)	50504(830)	Arm Shaft (upright) Bushing (upper) Set Screw
14475	Needle Bar Connecting Link Screw Cap Disc (fiber)				
15405	Number Plate Rivet (2)				
15405	Trademark Rivet (2)				

LIST OF PARTS FOR 261-42 MACHINE

NUMBER	DESCRIPTION	NUMBER	DESCRIPTION	NUMBER	DESCRIPTION
110(803)	Tension (needle thread) Releasing Shaft Crank Connecting Link Hinge Screw (2)	219(809)	Thread (looper) Take-up Thread Guide (right) Screw	462(830)	Feed Roll Clutch Shaft Bevel Gear Set Screw (2)
120(805)	Looper Avoiding Eccentric Forked Connection Bracket and Oil Connection Screw (2)	223(809)	Needle Guard (movable) Screw	462(830)	Feed Roll Driving Shaft (horizontal) Bevel Gear Set Screw (2)
131(805)	Looper Thread Guide Bracket Screw	226(805)	Looper Avoiding Eccentric Forked Connection Slide Block Cover Screw (2)	624(830)	Arm Rotary Shaft Thrust Collar Set Screw (2)
146(813)	Mounting Bracket Screw	226(809)	Thread (looper) Thread Guide (front of bed) Screw (right)	624(830)	Tension (needle thread) Releasing Shaft Crank Set Screw
152(819)	Face Plate Screw (2)	229(809)	Thread (looper) Thread Guide (intermediate) Bracket Screw (2)	662(809)	Lap Seam Feller Spring Screw (2)
157(805)	Oil Pump (centrifugal) Body Screw (3)	229(809)	Thread (needle) Thread Guide (intermediate) Bracket Screw (2)	665(809)	Thread (looper) Take-up Stripper Plate Thread Guard Screw (2)
161(819)	Presser Bar Lifting Lever Extension Screw (2)	229(809)	Thread (looper) Thread Guide (front of bed) Cover Catch Screw (2)	690(806)	Bed Rotary Shaft Belt Guard Cover Screw (2)
172(803)	Feed Lifting Eccentric Forked Connection Screw (long)	229(809)	Thread (needle) Thread Guide (left) Screw (2)	691(806)	Throat Plate Screw (3)
175(805)	Needle Bar Connecting Stud Clamping Screw	229(809)	Thread (needle) Thread Guide (right) Screw (2)	724(809)	Thread (needle) Eyelet (side of arm) Screw
175(830)	Looper Driving Arm Connection Cap (lower) Screw (2)	237(805)	Flanged Bushing (back) Oil Sump Tube Holder Screw	802(819)	Presser Bar Lifting Lever Hinge Screw
175(830)	Looper Driving Arm Connection Cap (upper) Screw (2)	237(809)	Thread (looper) Thread Guide Bracket Support Screw (upper)	807(819)	Feed Roll and Presser Bar Lifter Hinge Screw
175(830)	Thread (looper) Take-up Stripper Plate Bracket Screw (2)	237(809)	Thread (looper) Take-up Thread Guide (left) Screw	914(803)	Feed Lifting Eccentric Forked Connection Screw (short)
176(809)	Slack Thread Controller Clamp Screw	240(809)	Thread (looper) Take-up Thread Separator Thread Retainer Screw	966(819)	Oil Reservoir Screw (21)
176(809)	Thread (looper) Thread Guide Bracket Screw	316(803)	Tension (needle thread) Releasing Shaft Stop Screw	1036(830)	Feed Roll Eccentric Set Screw (3)
176(809)	Thread (needle) Eyelet (side of arm) Position Screw	376(809)	Tension (needle thread) Bracket Screw	1036(830)	Needle Bar Connecting Link Hinge Stud Position Set Screw
189(805)	Oil Pump (centrifugal) Screen Frame Screw (3)	430(830)	Tension (looper thread) Body Set Screw	1047(830)	Looper Driving Arm Connection Link Hinge Pin Set Screw (2)
190(809)	Presser Bar Stop Clamping Screw	443(830)	Feed Bar Hinge Pin Set Screw	1057(830)	Feed Roll Lifting Bracket Clamping Screw
190(809)	Presser Foot Screw	443(830)	Feed Roll Clutch Body Set Screw (2)	1057(830)	Looper Driving Arm Connection Crank Clamping Screw
193(809)	Needle Guard (movable) Holder Screw	443(830)	Looper Holder Shaft Bushing (back) Set Screw	1057(830)	Presser Bar Guide Bracket Clamping Screw
202(806)	Oil and Lint Guard Screw (2)	446(830)	Looper Driving Arm Hinge Stud Set Screw	1133(805)	Presser Bar Bushing (lower) Set Screw
202(809)	Thread (looper) Thread Guide Bracket Support Screw (lower)	446(830)	Looper Eccentric Connection Slide Block Stud Set Screw	1133(830)	Needle Bar Bushing (lower) Set Screw
202(809)	Thread (looper) Thread Guide (front of bed) Cover Lock Spring Screw	447(830)	Feed Roll Set Screw	1133(830)	Needle Bar Bushing (upper) Set Screw
202(813)	Bed Rotary Shaft Bushing (left) Cover Screw (4)	453(830)	Feed Roll Bracket Shaft Bushing (lower) Set Screw	1250(830)	Thread (looper) Take-up Cover Position Screw Stud
203(809)	Thread (looper) Take-up Stripper Screw (2)	453(830)	Feed Roll Bracket Shaft Bushing (upper) Set Screw	1253(830)	Looper Eccentric Connection Slide Block Stud Collar Set Screw (2)
203(809)	Thread (looper) Thread Tube (belt guard) Seat Screw (3)	453(830)	Feed Roll Clutch (brake) Bushing Set Screw (2)	1255(805)	Feed Dog Screw
206(809)	Looper Thread Guide Screw	454(830)	Looper Holder Shaft Bushing (front) Set Screw	1258(830)	Feed Roll Driving Shaft (upright) Driving Collar Set Screw (4)
207(809)	Thread (looper) Take-up Stripper Plate Screw (2)	456(830)	Looper Eccentric Connection Slide Block Stud Set Screw	1259(830)	Arm Rotary Shaft Bevel Gear Set Screw (2)
207(809)	Thread (needle) Eyelet Screw	456(830)	Looper Thread Guide Bracket Holder Set Screw	1259(830)	Arm Shaft (upright) Bevel Gear (upper) Set Screw (2)
208(805)	Oil Reservoir Screen Frame Screw (3)	457(830)	Feed Roll Clutch Shaft Arm Bushing (rear) Set Screw	1259(830)	Arm Shaft (upright) Collar Set Screw (2)
217(809)	Feed Eccentric Clamping Washer Screw	460(830)	Feed Roll Clutch Shaft Collar Set Screw (2)	1259(830)	Feed Roll Feed Regulator Locking Side Ratchet Wheel Retaining Collar Set Screw (2)

NUMBER	DESCRIPTION	NUMBER	DESCRIPTION	NUMBER	DESCRIPTION
50579(809)	Feed Roll Driving Shaft (horizontal) Bevel Gear Cover Screw (2)	121629	Lap Seam Feller on Shank with Yielding Lower Scroll with 230066 and two 662(809), for MH H	139157	Thread (looper) Take-up Thread Separator Thread Retainer
50608(813)	Bed Oil Plug Screw			139158	Thread (looper) Thread Guide (intermediate)
51061(830)	Feed Eccentric Body Set Screw (2)		<u>Special H,</u> MH	139158	Thread (looper) Thread Guide (left)
51069(819)	Machine Mounting Bracket Mounting Bolt (4)		<u>Special H,</u> M	139158	Thread (looper) Thread Guide (right)
51282(809)	Thread (looper) Take-up Cover Lock Spring Screw		<u>Special H,</u> H	139158	Thread (needle) Thread Guide (intermediate)
51282(819)	Looper Gate (left) Lock Spring Screw		and special heavy-weight materials, for 3/16 in. to 3/8 in. gauges, in steps of 1/32 in.	139158	Thread (needle) Thread Guide (left)
51282(819)	Looper Gate (right) Lock Spring Screw		Note: When ordering No. 121629, weight of material and gauges of machine must be stated.	139161	Thread (needle) Thread Guide (right)
51283(830)	Machine Pulley Set Screw (2)			139162	Thread (looper) Thread Tube (belt guard) (3)
51362(809)	Presser Foot Plate Leveling Spring Screw			139162	Thread (looper) Thread Tube (belt guard) Bushing (6)
51369(803)	Looper Driving Arm Hinge Stud Clamping Screw	128215	Needle Clamp with three 1498(806) for 1/8"-1/8" and 9/64"-9/64" gauges	139171	Thread (looper) Thread Guide (front of bed) Cover Catch
51369(805)	Oil Lead Screw		Note: When ordering No. 128215, state gauge required.	139172	Thread (looper) Thread Guide (front of bed) Cover Hinge Plate (2)
51369(813)	Arm Top Cover (front) Screw (4)			139173	Thread (looper) Thread Guide (front of bed) Cover Lock Spring
51369(813)	Arm Top Cover Screw (4)			139174	Thread (looper) Thread Guide (front of bed) Cover Lock Spring Reinforcing Plate
51460(805)	Thread (needle) Take-up Clamping Screw	131696	Tension (needle thread) Thread Guide (front)	139177	Thread (needle) Eyelet
51570(803)	Tension (needle thread) Regulating Thumb Nut (3)	131741	Tension (needle thread) Spring (3)	139181	Thread Cutter (knife)
51581(819)	Machine Mounting Bracket Mounting Bolt Nut (4)	139017	Bed Oil Plug Screw Washer	139190	Machine Cushion (2)
51614(819)	Pressure Regulating Thumb Screw Nut	139030	Bed Rotary Shaft Bushing (left) Cover	139257	Looper Avoiding Eccentric Forked Connection Crank (forked) with 1324(803)
54242	Slack Thread Controller Clamp	139035	Bed Rotary Shaft Belt Guard Cover		Thread (looper) Thread Tube (side of bed)
54246-001	Tension (needle thread) Releasing Shaft	139036	Bed Rotary Shaft Belt Guard Cover 139035 with 139037	139281	Thread (looper) Take-up Thread Guide (right) (for one thread)
54872	Tension (needle thread) Releasing Shaft Crank with 624(830)	139037	Bed Rotary Shaft Belt Guard Cover Gasket (cork)	139315	Thread (looper) Take-up Thread Guide (right) (for two threads)
54988	Tension (needle thread) Releasing Pin (3)	139046	Feed Bar Hinge Pin Slide Block	139316	Thread (looper) Take-up Thread Guide (right) (for two threads)
59456	Needle Bar Connecting Stud Slide Block Guide Screw Washer (2)	139064	Looper Driving Arm Connecting Link	139317	Thread (looper) Take-up Thread Separator
59537	Tension (needle thread) Spring Bushing (large) (3)	139065	Looper Driving Arm Connecting Link Hinge Pin (2)	139318	Thread (looper) Thread Guide (front of bed) with 139321 and two 139320
59538	Tension (needle thread) Spring Bushing (small) (3)	139074	Looper Eccentric Connection Slide Block	139319	Thread (looper) Thread Guide (front of bed) Plate with 20995
59539	Tension (needle thread) Screw Stud 50326(803) with 51570(803) (3)	139097	Looper Holder Shaft Collar with 1454(830)	139320	Thread (looper) Thread Guide (front of bed)
64519	Arm Top Cover (front) Stitch Regulator Plunger Spring	139111	Needle Bar Connecting Stud Slide Block		Thread (looper) Thread Guide (front of bed) Thread Retaining Pin (long) (2)
68002	Tension (needle thread) Bracket	139144	Thread (looper) Take-up with two 1266(830)	139321	Thread (looper) Thread Guide (front of bed) Thread Retaining Pin (short)
68008	Thread (needle) Take-up Plate	139145	Thread (looper) Take-up Cover	139322	Thread (looper) Thread Guide (front of bed) Thread Retainer
68164	Thread (needle) Take-up Plate Spring	139146	Thread (looper) Take-up Cover Hinge Pin		Thread (looper) Thread Guide (front of bed) Thread Retainer
121449	Lap Seam Feller Clamping Plate	139147	Thread (looper) Take-up Cover Lock Spring	139323	Thread (looper) Thread Guide (front of bed) complete, Nos. 226(809), 50362(809), 139318, 139319, 139322 and two 50411(809)
		139148	Thread (looper) Take-up Stripper		
		139152	Thread (looper) Take-up Stripper Plate Thread Guard		
		139154	Thread (looper) Take-up Thread Guide (left)		

NUMBER	DESCRIPTION	NUMBER	DESCRIPTION	NUMBER	DESCRIPTION
143445	Bed Rotary Shaft Bushing Flanged (right) Spacing Collar with two 50150(830)	143486	Looper Holder Shaft Bushing (front)	143579	Thread (looper) Take-up Stripper Plate Bracket 143518 with 219(809), 237(809), 240(809), 7071, 51282(809), 139145, 139146, 139147, 139148, 139152, 139154, 139157, 139315, 139316, 139317, 143517, two each 203(809), 207(809), 665(809) and 17022
143446	Bed Rotary Shaft Sprocket Wheel with 202253 and two 140409(869)	143492	Needle Bar Bushing (lower and upper) Oil Wick Guide Tube (arm)	143582	Feed Roll and Presser Bar Lifter
143448	Feed Bar	143494-002	Needle Bar Connecting Link, Connecting Stud and Hinge Stud with 14475 and 139533	143583-001	Feed Roll Bracket Shaft
143449	Feed Eccentric (adjustable) complete Nos. 217(809), 7071, 50328(803), and two 51061(830)	143499	Oil and Lint Guard	143584	Feed Roll Bracket Shaft Bushing (lower)
143450	Feed Eccentric Slide Block	143501	Oil Pipe with 143124 and 143125	143585	Feed Roll Bracket Shaft Bushing (upper)
143451	Feed Lifting Eccentric Forked Connection Slide Block	143503	Oil Pipe for 143504	143586	Feed Roll Bracket Shaft Lifting Lever Guide with 1454(805)
143454-001	Looper Avoiding Eccentric with two 50150(830)	143504	Oil Pipe complete, Nos. 143503 with 143065 and 143066 (for Agents only)	143587	Feed Roll Lifting Bracket with 1057(830)
143455	Looper Avoiding Eccentric Forked Connection	143508	Oil Reservoir Gasket	143589	Presser Bar Bushing (lower)
143456	Looper Avoiding Eccentric Forked Connection Bracket with 456(830)	143509	Oil Reservoir Screen	143590	Presser Bar Guide Bracket with 1057(830)
143457	Looper Avoiding Eccentric Forked Connection Bracket Oil Connection	143510	Presser Bar Lifting Lever	143595	Tension (needle thread) Releasing Shaft Crank Connecting Link
143458	Looper Avoiding Eccentric Forked Connection Slide Block	143511-001	Presser Bar Lifting Lever Spring	143596	Throat Plate, for 1/8"-1/8" and 9/64"-9/64" gauges, for use with 22839 and 139497 Note: No. 143596 is furnished as regular to the machine when called for in standard gauges of 1/8"-1/8" and 9/64"-9/64" Note: For throat plate No. 143596 use looper gates 143469 and 143476. Note: When ordering No. 143596, state gauge required.
143459	Looper Avoiding Eccentric Forked Connection Slide Block Cover (back)	143514	Tension (looper thread) Spring (3)	143597	Throat Plate Screw Hole Cover
143460	Looper Avoiding Eccentric Forked Connection Slide Block Cover (front)	143515	Tension (looper thread) Screw Stud 141002(803) with 1742(803) (3)	143599-001	Needle Guard (movable)
143462	Looper Eccentric Connection with Bushing and 1047(830)	143517	Thread (looper) Take-up Stripper Plate	143601	Oil Reservoir Sight Gauge Background Disc
143463	Looper Eccentric Connection Slide Block Stud	143518	Thread (looper) Take-up Stripper Plate Bracket	143612	Looper Driving Arm Connection with four 175(830) (for Agents only)
143468	Looper Gate (left)	143521	Thread (looper) Thread Guide (front of bed) Cover	143614	Bed Oil Shield (felt, lower)
143469	Looper Gate (left) 143468 with 143470 and 51282(819)	143522	Thread (looper) Thread Guide (front of bed) Cover 143521 with 139171 and two 229(809)	143618	Arm Rotary Shaft Sprocket Wheel and Hub with two each 141146(869) and 202253
143470	Looper Gate (left) Lock Spring	143524	Thread Cutter Support and Thread Guide	143620	Oil Pipe with 143124 and 143125
143475	Looper Gate (right)	143542	Oil Reservoir Screen Frame	143621	Looper Eccentric and Feed Lifting Eccentric with two 1259(830)
143476	Looper Gate (right) 143475 with 143477 and 51282(819)	143548	Looper Thread Guide Bracket	143622	Oil Return Tube
143477	Looper Gate (right) Lock Spring	143551	Looper Holder Shaft Bushing (back) Oil Seal (rubber)	143624	Arm Rotary Shaft Sprocket Wheel Oil Retaining Ring
143478	Looper Gate Hinge Pin (2)	143552	Looper Holder Shaft Bushing (back) 143485 with 143551		
143479	Looper Gate Hinge Screw Stud (2)	143556	Looper (intermediate)		
143480	Looper Gate Position Pin (2)	143557	Looper Holder with 26276 and 141158(869)		
143484	Looper Holder Shaft	143558	Looper Holder Bushing (eccentric)		
143485	Looper Holder Shaft Bushing (back)	143559	Looper Thread Guide		
		143560	Looper Thread Guide Bracket Holder		
		143567	Tension (looper thread) Body		
		143568	Tension (looper thread) complete, Nos. 143567, 143515 and six 10106		
		143569	Tension (needle thread) Thread Guide (center)		
		143570	Thread Guide (front of arm)		
		143571	Thread (needle) Eyelet (side of arm)		

NUMBER	DESCRIPTION	NUMBER	DESCRIPTION	NUMBER	DESCRIPTION
149046	Feed Roll Feed Regulator Locking Slide Ratchet Wheel Retaining Collar with 149598 and two 1259(830)				
149118	Feed Roll Guide Bar				
149119	Feed Roll Guide Bracket				
149203	Feed Roll Clutch Shaft Driving Crank with 50443(803)				
149210-001	Feed Roll Bracket complete, Nos. 22837, 143583-001, 147400, 147426, 147430, 147431, 147432, 147433-001, 147434, 147435, 147437, 147440, 147441, 147442-001 and two each 50470(804), 50579(809) and 141068(819)				
149598	Feed Roll Feed Regulator Locking Slide Ratchet Wheel Pin				
152503	Arm Rotary Shaft Bushing (center)				
156772	Oil Removing Tube (head end)				
158045	Arm Rotary Shaft Sprocket Wheel Spacing Washer				
158240	Oil Removing Tube (head end) Screen (cloth)				
164132	Oil Reservoir Sight Gauge Background Disc Gasket				
164132	Oil Reservoir Sight Gauge Window Gasket				
164133	Oil Reservoir Sight Gauge Window				
164134	Oil Reservoir Sight Gauge Window Retainer				
202253	Arm Rotary Shaft Sprocket Wheel Spring Flange (2)				
202253	Bed Rotary Shaft Sprocket Wheel Spring Flange				
230066	Lap Seam Feller Spring				
264715	Bed Rotary Shaft Belt				
Cat.No. 3651	Needle (Size No. 22)				