

SINGER
300W102,W202,W302,W402

INDEX

LIST OF PARTS



SINGER** MACHINES

Nos. 300w102, 300w202,
300w302 and 300w402

THE SINGER MANUFACTURING COMPANY

	Page
Accessories	33
Accessories for Semi-Submerged Installation	34
Feed Dogs	37
Foot Lifter Treadle	34
Looper Holders	42
Looper Thread Guides (on Bed at Looper)	43
Machine No. 300w102	5
Machine No. 300w202	21
Machine No. 300w302	26
Machine No. 300w402	29
Needle Bar Rock Frame Thread Guides	44
Needle Holders	45
Numerical List of Parts	53
Presser Feet	46
Spreaders	49
Thread Unwinders	34, 35, 36 & 37
Throat Plates	50

INSTRUCTIONS FOR ORDERING

In ordering from this list, use **ONLY** the **PART** number in the **FIRST** column.

The number stamped on a Sewing Machine Part is the number of the **Single Part** only, except when the part includes Set Screws, Clamping Screws, Studs and Rollers Spun on, Small Wires riveted, or Parts soldered together, etc., which it is necessary to furnish in combination.

Every combination of parts sent out has its specific number which, although not stamped on Parts (except in above case), must be used when ordering the combination.

Each number always indicates the **SAME PART** in whatever list it appears, or for whatever Machine.

The letters after some of the numbers indicate the style of finish only, as follows:

- A Hardened, Polished, Nickel Plated and Buffed.
- AL Heat Treated for Toughness.
- B Polished, Nickel Plated and Buffed.
- C Hardened only.
- D Polished only.
- E Soft, Not polished.
- F Hardened and Polished.
- H Blued.
- J Nickel Plated only.
- R Merlized.
- X Black Oxide, for Iron and Steel.
- XC Hardened and Black Oxide, for Iron and Steel.
- Y Black Nickel Plated only.
- Z Chromium Plated.

These letters **MUST BE USED** when they appear in the list and **AFTER** the number, as in the list.

In this series

1 to 1500, 200001 to 201500 and 350001 to 351500 are Screw Numbers.
 1501 to 1800, 201501 to 201800 and 351501 to 351800 are Nut Numbers.
 1801 to 2000, 201801 to 202000 and 351801 to 352000 are Roller Numbers.
 2001 to 50000 and 202001 to 350000 are Numbers of Machine Parts.

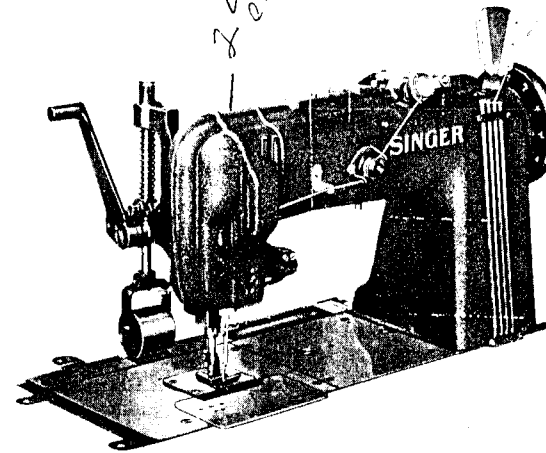
The figures in the second column refer only to the plate in which the illustration of the part is shown and are **NOT TO BE USED** in ordering.

Two or more numbers over a cut indicate that the difference between such parts is not visible in an illustration.

Parts marked with an asterisk (*) are furnished only when repairs are made at the factory.

LIST OF PARTS COMPLETE

FOR



MACHINE No. 300w102

PULLER FEED

TWO THREAD CHAIN STITCH.

ONE NEEDLE. ONE LOOPER.

COMPOUND FEED.

MAXIMUM STITCH 4 TO THE INCH.

FOR WELTING, BINDING MATTRESSES AND

SEAMING MEDIUM AND HEAVY FABRICS

No.	Plate	Name
*268001	-----	Arm with 204235, 268002 and three 200029E
*268002	-----	Arm Head with 202120
204235	18678	" " Position Pin
200029E	18678	" " Screw
8582	18678	" Position Pin (2)
200004E	18678	" Screw (4)
202005	18678	" " Washer (4)
268003	18670	" Shaft with 268009, 268044, 268264, two each 268214 and 350534C
268024	18670	Arm Shaft Ball Bearing (back)

No.	Plate	Name
268004	18670	Arm Shaft Ball Bearing (back) Housing
200047D	18670	" " " " " "
		Screw (3)
268005	18670	Arm Shaft Ball Bearing (front)
268270	18670	" " Connection Belt (reinforced neoprene)
268006	18670	Arm Shaft Connection Belt Pulley with two each 201254C and 202253
201254C	18670	Arm Shaft Connection Belt Pulley Set Screw
202253	18670	Arm Shaft Connection Belt Pulley Spring Flange
268007	18670	Arm Shaft Counter Balance with 200354C and 200362C
200354C	18670	Arm Shaft Counter Balance Position Screw
200362C	18670	Arm Shaft Counter Balance Set Screw
268264	18670	" " Oil Control Rod (wood)
268008	18670	" " " Slinger with 350171C
350171C	18670	" " " " Set Screw
268214	18670	" " " Stop Ball, 5/32 in. diameter
350534C	18670	Arm Shaft Oil Stop Ball Screw
268009	18670	" " " " " Spring (front)
268044	18670	" " " " " " (rear)
268010	18678	" Side Cover
200078H	18678	" " " Screw (3)
268048	18670	Balance Wheel "V" belt groove (outside diam. of belt groove 2.9 in.) with 200327C and 200328C
268049	18670	Balance Wheel 268048 with 268024
200328C	18670	" " Position Screw
200327C	18670	" " Set Screw
*268401	-----	Bed with 268184, two each 200035E and 225887
265307	18678	Bed Hinge Connection (2)
268752	18678	" " " Bracket
268452	18679	" " " " 268752 with 268425 (Needle Bearing on left) (2)
232866	18679	Bed Hinge Connection Bracket Pin (4)
200017C	18679	" " " " " Screw (4)
200570E	18678	Bed Hinge Connection Screw (4)
268402	18678	" Plate (left)
268403	18678	" " (right)
200053H	18678	" " Screw (8)
268017	18678	" " Slide with two 268022 and four 200138D
268022	18678	Bed Plate Slide Spring
200138D	18678	" " " " " Screw
268441	18677	" Shaft with 268044, 268214, 268265 and 350534C

No.	Plate	Name
268024	18677	Bed Shaft Ball Bearing
268028	18677	" " Connection Belt Pulley with two 201254C
268261	18677	Bed Shaft Connection Belt Pulley 268028 with 268024
201254C	18677	Bed Shaft Connection Belt Pulley Set Screw
268007	18677	Bed Shaft Counter Balance with 200354C and 200362C
200354C	18677	Bed Shaft Counter Balance Position Screw
200362C	18677	Bed Shaft Counter Balance Set Screw
268029	18677	" " Needle Bearing (2)
268265	18677	" " Oil Control Rod (wood)
268214	18677	" " " Stop Ball, 5/32 in. diameter
350534C	18677	Bed Shaft Oil Stop Ball Screw
268044	18677	" " " " " Spring
268030	18678	Face Plate with 268033 and two 201416C
268031	18678	Face Plate Hinge Pin (2)
201416C	18678	" " " " " Set Screw
268032	18678	" " Lock Spring
268197	18678	" " " " " Plate
200571XC	18678	" " " " " Screw (2)
268033	18678	" " " Stud
268034	18603	Feed Bar with 200373C and two 200403C
268035	18603	Feed Bar Hinge Pin
202574	18603	" " " " " Collar with 200380C
200380C	18603	Feed Bar Hinge Pin Collar Set Screw
200403C	18603	" " Set Screw
268618	18659	" Dog, 46 needle hole, for needle sizes 20 and 22 (teeth cut 15 to the in.) with 268318 and two 200172D, for 268614
200100C	18659	Feed Dog Screw (2)
268316	18603	" " Shank with 201537H and 350552C
350552C	18603	Feed Dog Shank Adjusting Screw
201537H	18603	" " " " " " Lock Nut
200040AL	18603	Feed Dog Shank Screw
201525E	18603	" " " " " Lock Nut
208636	18603	" " " " " Washer
268060	18603	" Driving Connection
268061	18603	" " " " 268060 with 268063
200123D	18603	Feed Driving Connection Cap Screw
268062	18603	" " " " " Hinge Stud with 268258

No.	Plate	Name
201522E	18603	Feed Driving Connection Hinge Stud Nut
268258	18603	Feed Driving Connection Hinge Stud Oil Packing (wick)
268063	18603	Feed Driving Connection Needle Bearing
268064	18677	Feed Driving Eccentric
268065	18677	" " " Adjusting Disc
268066	18677	" " " " " Spring
268067	18677	Feed Driving Eccentric Adjusting Disc Spring Collar with two 200382C
200382C	18677	Feed Driving Eccentric Adjusting Disc Spring Collar Set Screw
267623	18677	Feed Driving Eccentric Friction Plate
350548C	18677	" " " " " Screw
350477C	18677	Feed Driving Eccentric Friction Plate Screw Set Screw
241763	18677	Feed Driving Eccentric Friction Plate Screw Set Screw Packing (brass)
268315	18677	Feed Driving Flange with 267623, two each 241763, 350467AL, 350477C and 350548C
350467AL	18677	Feed Driving Flange Set Screw
268069	18603	" " Rock Frame with 200354C and 200362C
200354C	18603	Feed Driving Rock Frame Position Screw
200362C	18603	Feed Driving Rock Frame Set Screw
268070	18603	" " " Shaft
268072	18603	" " " " Collar with two 200386C (2)
200386C	18603	Feed Driving Rock Shaft Collar Set Screw
268073	18603	Feed Driving Rock Shaft Crank with 201418C and two 200061C
200061C	18603	Feed Driving Rock Shaft Crank Pinch Screw
201418C	18603	Feed Driving Rock Shaft Crank Position Screw
268071	18603	Feed Driving Rock Shaft Needle Bearing (2)
268074	18603	Feed Lifting Connection
268062	18603	" " " Hinge Stud with 268258
201522E	18603	Feed Lifting Connection Hinge Stud Nut
268258	18603	Feed Lifting Connection Hinge Stud Oil Packing (wick)

No.	Plate	Name
268075	18603	Feed Lifting Crank 200373C and 201256C
201256C	18603	Feed Lifting Crank Pinch Screw
268047	18635	" " Eccentric with 268077 and two 200394C
268077	18635	Feed Lifting Eccentric Lubricating Pad (wood)
200394C	18635	Feed Lifting Eccentric Set Screw
268078	18603	" " Link
268079	18603	" " " Hinge Pin with 268258 (2)
268258	18603	Feed Lifting Link Hinge Pin Oil Packing (wick)
200373C	18603	Feed Lifting Link Hinge Pin Set Screw
268080	18603	Feed Lifting Rock Shaft
268072	18603	" " " " Collar with two 200386C (2)
200386C	18603	Feed Lifting Rock Shaft Collar Set Screw
268198	18603	Feed Lifting Rock Shaft Crank with 201418C and two 200061C
200061C	18603	Feed Lifting Rock Shaft Crank Pinch Screw
201418C	18603	Feed Lifting Rock Shaft Crank Position Screw
268071	18603	Feed Lifting Rock Shaft Needle Bearing (2)
268081	18677	Feed Regulating Stud
240245	18677	" " " Retaining Spring
268082	18677	Feed Regulating Stud Socket
200078F	18677	" " " " Screw (2)
270026	18677	" " " Spring
268083	18678	Foot Lifter Bell Crank
350013C	18678	" " " " Hinge Screw
268085	18678	" " Lever with 238089
201363C	18678	" " " Hinge Screw
268086	18678	" " " Rod
204348	18678	" " " Spring
201160E	18678	" " " " Screw Eye
268087	18678	" " Lifting Link
200934F	18678	" " " " Hinge Screw
202120	18678	" " " " Stop Pin
268318	18659	Loop Deflector
200172D	18659	" " " Screw
268088	18616	Looper
350478C	18616	" Adjusting Screw
268090	18635	" Carrier
268205	18635	" " 268090 with two 268099
268307	18635	" " Crank with 200089C
268308	18635	" " " Clamping Stud

No.	Plate	Name
201524E	18635	Looper Carrier Crank Clamping Stud Nut
67425	18635	Looper Carrier Crank Clamping Stud Washer
268208	18635	Looper Carrier Crank Hinge Pin with 268258
268258	18635	Looper Carrier Crank Hinge Pin Oil Packing (wick)
200089C	18635	Looper Carrier Crank Hinge Pin Pinch Screw
268099	18635	Looper Carrier Needle Bearing
*268093	18635	" " Shaft
268094	18635	" " " 268093 with 268095 and 268097
*268095	18635	Looper Carrier Shaft Bushing (left) (eccentric) with 200354C and 200362C
268096	18635	Looper Carrier Shaft Bushing (left) Position Plate
200085C	18635	Looper Carrier Shaft Bushing (left) Position Plate Screw (2)
*268097	18635	Looper Carrier Shaft Bushing (right) (eccentric) with 200354C and 200362C
200354C	18635	Looper Carrier Shaft Bushing Position Screw
200362C	18635	Looper Carrier Shaft Bushing Set Screw
268098	18635	Looper Driving Connection
268216	18635	" " " 268098 with 268099
268099	18635	Looper Driving Connection Needle Bearing
268277	18635	Looper Driving Crank with 200362C, 200573D and two 200344C
268102	18635	Looper Driving Crank Oil Hole Cover
200303H	18635	" " " " " " Screw
204925	18635	Looper Driving Crank Oil Hole Cover Screw Washer
200573D	18635	Looper Driving Crank Oil Stop Screw
200344C	18635	" " " Position Screw
200362C	18635	" " " Set Screw
268602	18616	" Holder with two 350478C
350267E	18616	" " Screw
208636	18616	" " " Washer
350478C	18616	" Set Screw
268503	18673	" Thread Guide
268296	18616	" " " (on Bed at Looper)
350468E	18616	Looper Thread Guide (on Bed at Looper) Screw

No.	Plate	Name
139158	18673	Looper Thread Guide (top of Arm)
268111	18673	" " " " " " Bracket
268218	18673	Looper Thread Guide (top of Arm) Bracket 268111 with two 139158 and four 50169J
200578XC	18673	Looper Thread Guide (top of Arm) Bracket Screw (2)
50169J	18673	Looper Thread Guide (top of Arm) Screw
200035D	18673	Looper Thread Guide Screw
268114	18677	" " Take-up Driving Connection
268079	18677	Looper Thread Take-up Driving Connection Hinge Stud with 268258
268258	18677	Looper Thread Take-up Driving Connection Hinge Stud Oil Packing (wick)
200098F	18677	Looper Thread Take-up Driving Connection Hinge Stud Set Screw
268113	18677	Looper Thread Take-up Driving Eccentric with 200378C and 201220C
201220C	18677	Looper Thread Take-up Driving Eccentric Position Screw
200378C	18677	Looper Thread Take-up Driving Eccentric Set Screw
268115	18677	Looper Thread Take-up Lever with 200098F and two 201052C
268116	18677	Looper Thread Take-up Lever Hinge Stud
268072	18677	Looper Thread Take-up Lever Hinge Stud Collar with two 200386C
200386C	18677	Looper Thread Take-up Lever Hinge Stud Collar Set Screw
200362C	13677	Looper Thread Take-up Lever Hinge Stud Set Screw (2)
268117	18677	Looper Thread Take-up Rod
201052C	18677	" " " " Set Screw
268507	18673	" " " Thread Guide
350132C	18673	" " " " " Screw
268119	18673	Looper Thread Take-up Thread Guide Support Stud
200394C	18673	Looper Thread Take-up Thread Guide Support Stud Set Screw
268120	18673	Looper Thread Tension Bracket
200564E	18673	" " " " Screw (2)
268121	18673	Looper Thread Tension Bracket Spacing Collar (2)
2455	18673	Looper Thread Tension Disc
10141	18673	" " " Spring

No.	Plate	Name
418D	18673	Looper Thread Tension Stud
268122	18673	" " " Thread Guide
1562J	18673	" " " Thumb Nut
5989	18673	Looper Thread Tension complete, Nos. 418D, 1562J, 10141 and two 2455
268123	18673	Looper Thread Tube with two 268125 (4)
268124	18673	Looper Thread Tube Clamp (2)
200054C	18673	" " " " Screw (4)
268125	18673	" " " Thread Bushing
268126	18635	" Throw-out Gear with two 200362C
268127	18635	Looper Throw-out Gear Locking Plunger
268313	18635	Looper Throw-out Gear Locking Plunger Handle
201477C	18635	Looper Throw-out Gear Locking Plunger Screw Bushing
250265	18635	Looper Throw-out Gear Locking Plunger Spring
200444C	18635	Looper Throw-out Gear Locking Plunger Stop Screw
200364C	18635	Looper Throw-out Gear Locking Plunger Stop Screw Set Screw
201620D	18635	Looper Throw-out Gear Locking Plunger Thumb Nut
200362C	18635	Looper Throw-out Gear Set Screw
268129	18635	" " Rack Rod
268314	18635	" " " " 268129 with 201553D
201553D	18635	Looper Throw-out Rack Rod Thumb Nut
268131	18603	Looper Throw-out Safety Latch
268199	18603	" " " " Collar with two 200386C
200386C	18603	Looper Throw-out Safety Latch Collar Set Screw
268132	18603	Looper Throw-out Safety Latch Spring
268133	18603	" " " " " Bracket
200098F	18603	Looper Throw-out Safety Latch Spring Bracket Screw (2)
228448	18645	Machine Locating Stud (4)
268603	18617	Needle Bar with 200125F
268137	18617	" " Connecting Link
268138	18617	" " " " 268137 with 200379C and two 270266
268139	18617	Needle Bar Connecting Link Cap Washer
200095H	18617	Needle Bar Connecting Link Cap Washer Screw
270266	18617	Needle Bar Connecting Link Needle Bearing

No.	Plate	Name
268141	18617	Needle Bar Connecting Stud with 201188C, 202423 and two 200069C
202423	18617	Needle Bar Connecting Stud Oil Packing (wick)
200069C	18617	Needle Bar Connecting Stud Pinch Screw
268142	18670	Needle Bar Crank with 200346C, 200354C, 200378C and 200379C
268143	18670	Needle Bar Crank 268142 with 268005
200379C	18670	" " " Oil Hole Plug Screw
200354C	18670	" " " Position Screw
200378C	18670	" " " " " Check Screw
200346C	18670	Needle Bar Crank Set Screw
268144	18617	" " Oiling Felt (2)
268278	18617	" " " " Holder (2)
200173D	18617	" " " " " Screw (2)
268279	18617	Needle Bar Rock Frame
268161	18617	" " " " Driving Arm with two 200058C
200058C	18617	Needle Bar Rock Frame Driving Arm Pinch Screw
268060	18670	Needle Bar Rock Frame Driving Connection
268061	18670	Needle Bar Rock Frame Driving Connection 268060 with 268063
200123D	18617	Needle Bar Rock Frame Driving Connection Cap Screw
268062	18617	Needle Bar Rock Frame Driving Connection Hinge Stud with 268258
201522E	18617	Needle Bar Rock Frame Driving Connection Hinge Stud Nut
268063	18670	Needle Bar Rock Frame Driving Connection Needle Bearing
268064	18670	Needle Bar Rock Frame Driving Eccentric
268065	18670	Needle Bar Rock Frame Driving Eccentric Adjusting Disc
268066	18670	Needle Bar Rock Frame Driving Eccentric Adjusting Disc Spring
268067	18670	Needle Bar Rock Frame Driving Eccentric Adjusting Disc Spring Collar with two 200382C
200382C	18670	Needle Bar Rock Frame Driving Eccentric Adjusting Disc Spring Collar Set Screw
267623	18670	Needle Bar Rock Frame Driving Eccentric Friction Plate
350548C	18670	Needle Bar Rock Frame Driving Eccentric Friction Plate Screw
350477C	18670	Needle Bar Rock Frame Driving Eccentric Friction Plate Screw Set Screw

No.	Plate	Name
241763	18670	Needle Bar Rock Frame Driving Eccentric Friction Plate Screw Set Screw Packing (brass)
268315	18670	Needle Bar Rock Frame Driving Flange with 267623, two each 241763, 350467AL, 350477C and 350548C
350467AL	18670	Needle Bar Rock Frame Driving Flange Set Screw
268029	18617	Needle Bar Rock Frame Needle Bearing (2)
268148	18670	Needle Bar Rock Frame Regulating Stud
264709	18670	Needle Bar Rock Frame Regulating Stud Cap with 200364C
200364C	18670	Needle Bar Rock Frame Regulating Stud Cap Set Screw
268149	18670	Needle Bar Rock Frame Regulating Stud Sleeve
200337C	18670	Needle Bar Rock Frame Regulating Stud Sleeve Set Screw
214529	18670	Needle Bar Rock Frame Regulating Stud Spring
268150	18670	Needle Bar Rock Frame Regulating Stud complete, Nos. 214529, 264709, 268148 and 268149
268219	18616	Needle Bar Rock Frame Thread Guide
200583C	18616	" " " " " " " " Screw (2)
200125F	18617	Needle Set Screw
268312	18673	" Thread Guide (on Arm Head)
268513	18673	" " " (on side of Arm)
268512	18617	" " " (on Needle Bar Connecting Stud)
201188C	18617	Needle Thread Guide (on Needle Bar Connecting Stud) Set Screw
200082C	18673	Needle Thread Guide Screw (2)
201733XC	18673	" " Nipper Adjusting Collar with 350101AL
350101AL	18673	Needle Thread Nipper Adjusting Collar Screw
268221	18673	Needle Thread Nipper Bearing
268222	18673	" " " " " Plate
200064D	18673	" " " " " " Screw (2)
268223	18673	Needle Thread Nipper Disc (2)
268224	18673	" " " " " Washer (vellumoid)
268225	18670	Needle Thread Nipper Eccentric with two 200394C
268226	18670	Needle Thread Nipper Eccentric Connection
268228	18670	Needle Thread Nipper Eccentric Connection 268226 with 268227

No.	Plate	Name
268227	18670	Needle Thread Nipper Eccentric Connection Needle Bearing
268259	18670	Needle Thread Nipper Eccentric Flange
201403H	18670	Needle Thread Nipper Eccentric Flange Screw
200394C	18670	Needle Thread Nipper Eccentric Set Screw
268229	18673	Needle Thread Nipper Plunger with 350496C
268230	18673	Needle Thread Nipper Plunger Cap
268231	18673	" " " " " Hinge Pin
350496C	18673	Needle Thread Nipper Plunger Hinge Pin Set Screw
222613	18673	Needle Thread Nipper Spring
268232	18673	" " " " " Plunger
201537H	18673	" " " " " " Nut (2)
350483C	18673	Needle Thread Nipper Spring Plunger Screw Bearing
268167	18673	Needle Thread Tension Bracket
200047E	18673	" " " " " Screw (2)
268121	18673	Needle Thread Tension Bracket Spacing Collar (2)
2102	18673	Needle Thread Tension Disc
268168	18673	" " " " " Releaser
268169	18673	" " " " " " Cap with 201052C
201052C	18673	Needle Thread Tension Releaser Cap Set Screw
204365	18673	Needle Thread Tension Releaser Spring
32572	18673	Needle Thread Tension Releasing Disc
226206	18673	" " " " " Pin
268171	18678	" " " " " Plate (adjustable)
238089	18678	Needle Thread Tension Releasing Plate Pin
200541E	18678	Needle Thread Tension Releasing Plate Screw
203349	18678	Needle Thread Tension Releasing Plate Screw Washer
131741	18673	Needle Thread Tension Spring
59538	18673	" " " " " Bushing (back)
59537	18673	Needle Thread Tension Spring Bushing (front)
50326C	18673	Needle Thread Tension Stud
59539	18673	" " " " " 50326C with 51570C

No.	Plate	Name
54279	18673	Needle Thread Tension Thread Guide (double)
51570C	18673	Needle Thread Tension Thumb Nut
268263	18673	Needle Thread Tension complete, Nos. 32572, 59537 to 59539, 131741 and two 2102
268172	18617	Presser Bar
268173	18617	" " Bushing
268174	18617	" " Guide Bracket with 200572F, 201216C and 351875
200572F	18617	Presser Bar Guide Bracket Adjusting Screw
201216C	18617	Presser Bar Guide Bracket Pinch Screw
351875	18617	Presser Bar Guide Bracket Roller
268175	18617	" " Lifter
201276D	18617	" " " Hinge Screw
222119	18617	" " " Stop Pin
268176	18678	" " Spring
350381C	18678	" " " Adjusting Screw
201485C	18678	" " " " "
		Set Screw
268306	18678	Presser Bar Spring Cushion Spring
200226E	18678	" " " Support Screw
203759	18617	" " Stop Collar with 200380C
200380C	18617	" " " " Set Screw
206335	18659	" Foot Hinge Pin
268611	18659	" " Plate
268612	18659	" " " Heel Spring
226080	18659	" " " Spring
268275	18659	" " Shank with 1454F
1454F	18659	" " " Pinch Screw
268613	18659	Presser Foot (spring hinged) complete, 46 needle hole, Nos. 206335, 226080, 268275, 268611 and 268612
268442	18679	Puller Feed Clutch Driving Connection with 1036AL and 1390C
1390C	18679	Puller Feed Clutch Driving Connection Pinch Screw
1036AL	18679	Puller Feed Clutch Driving Connection Set Screw
131712	18679	Puller Feed Clutch Driving Spider
131713	18679	" " " " "
		131712 with three 131726
268443	18679	Puller Feed Clutch Retaining Flange with two 200362C
200386C	18679	Puller Feed Clutch Retaining Flange Holding Screw
200386C	18679	Puller Feed Clutch Retaining Flange Holding Screw Check Screw
200362C	18679	Puller Feed Clutch Retaining Flange Set Screw
268444	18679	Puller Feed Clutch Retaining Spider

No.	Plate	Name
268445	18679	Puller Feed Clutch Retaining Spider 268444 with three 131726
131717	18679	Puller Feed Clutch Roller
68152	18679	" " " " Plunger
131718	18679	" " " " Spring
131726	18679	" " " " Wear Plate
131724	18679	" " " Sleeve with two 50375F
50375F	18679	Puller Feed Clutch Sleeve Set Screw
131725	18679	" " " Washer
268446	18679	Puller Feed Clutch complete, Nos. 131713, 131724, 131725, 268442, 268443, 268445, six each 68152, 131717 and 131718
268407	18679	Puller Feed Cover Plate (left)
268408	18679	" " " " (right)
200571D	18679	" " " " Screw (6)
268060	18677	" " Driving Connection
268061	18677	" " " " 268060 with 268063
268409	18677	Puller Feed Driving Connection Hinge Pin
200355H	18677	Puller Feed Driving Connection Hinge Pin Set Screw
268063	18677	Puller Feed Driving Connection Needle Bearing
268064	18677	Puller Feed Driving Eccentric
268065	18677	" " " " Adjusting Disc
268066	18677	Puller Feed Driving Eccentric Adjusting Disc Spring
268067	18677	Puller Feed Driving Eccentric Adjusting Disc Spring Collar with two 200382C
200382C	18677	Puller Feed Driving Eccentric Adjusting Disc Spring Collar Set Screw
267623	18677	Puller Feed Driving Eccentric Friction Plate
350548C	18677	Puller Feed Driving Eccentric Friction Plate Screw
350477C	18677	Puller Feed Driving Eccentric Friction Plate Screw Set Screw
241763	18677	Puller Feed Driving Eccentric Friction Plate Screw Set Screw Packing (brass)
268315	18677	Puller Feed Driving Flange with 267623, two each 241763, 350467AL, 350477C and 350548C
350467AL	18677	Puller Feed Driving Flange Set Screw
268410	18677	" " " Lever with two each 200355H and 200397H
268411	18677	Puller Feed Driving Lever Hinge Stud

No.	Plate	Name
203244	18677	Puller Feed Driving Lever Hinge Stud Collar with two 200393C
200393C	18677	Puller Feed Driving Lever Hinge Stud Collar Set Screw
200335C	18677	Puller Feed Driving Lever Hinge Stud Set Screw (2)
268412	18677	Puller Feed Driving Link
268409	18677	" " " " Hinge Pin
200397H	18677	" " " " " "
		Set Screw
1257C	18677	Puller Feed Driving Link Hinge Screw
1620E	18677	" " " " " "
		Nut
268414	18677	Puller Feed Regulating Latch
204648	18677	" " " " Hinge Pin
		Pin
268416	18677	Puller Feed Regulating Stud
208127	18677	" " " " Pin
268418	18677	" " " " Socket
268419	18677	" " " " "
		268418 with 204648, 208127, 268414, 268416 and 270026
200078F	18677	Puller Feed Regulating Stud Socket Screw (2)
270026	18677	Puller Feed Regulating Stud Spring
131979	18679	" " Roll (lower) with two 140279AL
140279AL	18679	Puller Feed Roll (lower) Set Screw
268447	18679	" " " " Shaft with 268426 and 350431E
268448	18679	Puller Feed Roll (lower) Shaft Bracket
268449	18679	" " " " " "
		268448 with 268425
232866	18679	Puller Feed Roll (lower) Shaft Bracket Position Pin (2)
200017C	18679	Puller Feed Roll (lower) Shaft Bracket Screw (2)
268424	18679	Puller Feed Roll (lower) Shaft Collar with two 200378C (4)
200378C	18679	Puller Feed Roll (lower) Shaft Collar Set Screw
268425	18679	Puller Feed Roll (lower) Shaft Needle Bearing
268426	18679	Puller Feed Roll (lower) Shaft Oil Packing (wick)
350431E	18679	Puller Feed Roll (lower) Shaft Oil Stop Screw
131979	18680	Puller Feed Roll (upper) with two 140279AL
268428	18680	Puller Feed Roll (upper) Bar
268429	18680	" " " " " Bracket with 268433
232077	18680	Puller Feed Roll (upper) Bar Bracket Position Pin (2)

No.	Plate	Name
201308E	18680	Puller Feed Roll (upper) Bar Bracket Screw (2)
268430	18680	Puller Feed Roll (upper) Bar Lifter
268431	18680	" " " " " "
		268430 with 268432 and two 200050C
268432	18680	Puller Feed Roll (upper) Bar Lifter Cam Plate
200050C	18680	Puller Feed Roll (upper) Bar Lifter Cam Plate Screw
200062H	18680	Puller Feed Roll (upper) Bar Lifter Cap Screw
201892	18680	Puller Feed Roll (upper) Bar Lifter Roller
200202F	18680	Puller Feed Roll (upper) Bar Lifter Roller Screw Stud
268433	18680	Puller Feed Roll (upper) Bar Lifter Stop Pin
268434	18680	Puller Feed Roll (upper) Bar Position Bracket with 268435 and two 200362C
200362C	18680	Puller Feed Roll (upper) Bar Position Bracket Set Screw
268435	18680	Puller Feed Roll (upper) Bar Position Bracket Stud
200362C	18680	Puller Feed Roll (upper) Bar Position Bracket Stud Set Screw
268436	18680	Puller Feed Roll (upper) Bar Spring
913C	18680	" " " " " "
		Adjusting Thumb Screw
268437	18680	Puller Feed Roll (upper) Bracket with 200354C and 200382C
200354C	18680	Puller Feed Roll (upper) Bracket Position Screw
200382C	18680	Puller Feed Roll (upper) Bracket Set Screw
140279AL	18680	Puller Feed Roll (upper) Set Screw
268438	18680	" " " " Shaft
268606	18616	Spreader with 268162
268181	18605	" Bar
268184	18605	" " Bearing
225887	18605	" " " Position Pin
200035E	18605	" " " Screw
268186	18605	" Driving Connection with two 201020E
268233	18605	Spreader Driving Connection 268186 with 268063 and 351876
201020E	18605	Spreader Driving Connection Cap Screw
268063	18605	" " " Needle Bearing
268187	18605	Spreader Driving Crank with 200373C and 200403C
200373C	18605	Spreader Driving Crank Position Screw

No.	Plate	Name
200403C	18605	Spreader Driving Crank Set Screw
268045	18677	" " Eccentric with two 200364C
268046	18677	Spreader Driving Eccentric Counter Balance with two 200364C
200364C	18677	Spreader Driving Eccentric Counter Balance Set Screw
200364C	18677	Spreader Driving Eccentric Set Screw
268220	18677	" " " Thrust Washer (2)
268190	18605	Spreader Driving Pin
268191	18605	" " Rock Shaft
268072	18605	" " " " Collar with two 200386C (2)
200386C	18605	Spreader Driving Rock Shaft Collar Set Screw
268071	18605	Spreader Driving Rock Shaft Needle Bearing (2)
350466C	18605	Spreader Driving Rock Shaft Screw Stud
351876	18605	Spreader Driving Rock Shaft Screw Stud Ball Roller
201736E	18605	Spreader Driving Rock Shaft Screw Stud Nut
268185	18605	Spreader Holder with two 200380C
200380C	18605	" " Set Screw
268162	18616	" Point
350149C	18605	" Screw
204925	18605	" " Washer
268614	18659	Throat Plate, for 268618
200100E	18659	" " Screw (3)

MACHINE No. 300w202

PULLER FEED

TWO THREAD CHAIN STITCH.

TWO NEEDLES. TWO LOOPERS.

COMPOUND FEED.

MAXIMUM STITCH 4 TO THE INCH.

FOR INSERTING SLEEVES IN SPORT SHIRTS AND
SIMILAR WORK IN MEDIUM AND HEAVY FABRICS

MADE IN GAUGES FROM $\frac{3}{16}$ TO 2 INCHES

Same as Machine No. 300w102 with the following
exceptions:

No.	Plate	Name
268402	18678	Bed Plate (left) for gauges from $\frac{3}{16}$ to 1-1/2 inch
268451	18678	Bed Plate (left) for gauges from 1-17/32 to 2 inches
268017	18678	Bed Plate Slide with two 268022 and four 200138D, for gauges from $\frac{3}{16}$ to 1-1/2 inch
268021	18678	Bed Plate Slide with two 268022 and four 200138D, for gauges 1-17/32 to 2 inches
267800	18660	Feed Dog, 46 needle hole, for needle sizes 20 and 22, in gauges $\frac{3}{16}$ and $\frac{7}{32}$ in. (teeth cut 15 to the inch) with two 268317 and four 200172D, for 267850
267802	18660	Feed Dog, 46 needle hole, for needle sizes 20 and 22, in gauges $\frac{1}{4}$, $\frac{9}{32}$ and $\frac{5}{16}$ in. (teeth cut 15 to the inch) with two 268318 and four 200172D, for 267851

No.	Plate	Name
267804	18660	Feed Dog, 46 needle hole, for needle sizes 20 and 22, in gauges 11/32, 3/8 and 13/32 in. (teeth cut 15 to the inch) with two 268318 and four 200172D, for 267853
267812	18660	Feed Dog, 46 needle hole, for needle sizes 20 and 22, in gauges 7/16, 15/32 and 1/2 in. (teeth cut 15 to the inch) with two 268318 and four 200172D, for 267855
267817	18660	Feed Dog, 46 needle hole, for needle sizes 20 and 22, in gauges 17/32, 9/16, 19/32, 5/8 and 21/32 in. (teeth cut 15 to the inch) with two 268318 and four 200172D, for 267857
267821	18660	Feed Dog, 46 needle hole, for needle sizes 20 and 22, in gauges from 11/16 to 31/32 in., in steps of 1/32 in. (teeth cut 15 to the inch) with two 268318 and four 200172D, for 267858
267825	18660	Feed Dog, 46 needle hole, for needle sizes 20 and 22, in gauges from 1 to 1-1/4 in., in steps of 1/32 in. (teeth cut 15 to the inch) with two 268318 and four 200172D, for 267859
267829	18660	Feed Dog, 46 needle hole, for needle sizes 20 and 22, in gauges from 1-9/32 to 1-1/2 in., in steps of 1/32 in. (teeth cut 15 to the inch) with two 268318 and four 200172D, for 267860
267830	18660	Feed Dog, 46 needle hole, for needle sizes 20 and 22, in gauges from 1-17/32 to 1-11/16 in., in steps of 1/32 in. (teeth cut 15 to the inch) with two 268318 and four 200172D, for 267862
267833	18660	Feed Dog, 46 needle hole, for needle sizes 20 and 22, in gauges from 1-23/32 to 1-29/32 in., in steps of 1/32 in. (teeth cut 15 to the inch) with two 268318 and four 200172D, for 267861
267839	18660	Feed Dog, 46 needle hole, for needle sizes 20 and 22, in gauges 1-15/16 and 2 in. (teeth cut 15 to the inch) with two 268318 and four 200172D, for 267863
268317	18660	Loop Deflector
268088	18610	Looper (2)
268103	18610	" Holder, in gauges from 3/16 to 11/32 in., in steps of 1/32 in., with four 350478C

No.	Plate	Name
268104	18610	Looper Holder, in gauges from 3/8 to 5/8 in., in steps of 1/32 in., with four 350478C
268105	18610	Looper Holder, in gauges from 21/32 to 7/8 in., in steps of 1/32 in., with four 350478C
268106	18610	Looper Holder, in gauges from 29/32 to 1-1/8 in., in steps of 1/32 in., with four 350478C
268107	18610	Looper Holder, in gauges from 1-5/32 to 1-1/2 in., in steps of 1/32 in., with four 350478C
268282	18610	Looper Holder, in gauges from 1-17/32 to 2 in., in steps of 1/32 in., with four 350478C
268296	18610	Looper Thread Guide (on Bed at Looper) for gauges from 3/16 to 15/32 inch
268297	18610	Looper Thread Guide (on Bed at Looper) for gauges from 1/2 to 25/32 inch
268298	18610	Looper Thread Guide (on Bed at Looper) for gauges from 13/16 to 1-3/32 inch
268299	18610	Looper Thread Guide (on Bed at Looper) for gauges from 1-1/8 to 1-13/32 inch
268300	18610	Looper Thread Guide (on Bed at Looper) for gauges 1-7/16 to 1-23/32 inch
268301	18610	Looper Thread Guide (on Bed at Looper) for gauges from 1-3/4 to 2 inches
268122	18674	Looper Thread Tension Thread Guide (2)
5989	18674	Looper Thread Tension complete, Nos. 418D, 1562J, 10141 and two 2455 (2)
268136	18620	Needle Bar
268219	18610	" " Rock Frame Thread Guide, in gauges from 3/16 to 11/32 in., in steps of 1/32 inch
268254	18610	Needle Bar Rock Frame Thread Guide, in gauges from 3/8 to 5/8 in., in steps of 1/32 inch
268255	18610	Needle Bar Rock Frame Thread Guide, in gauges from 21/32 to 7/8 in., in steps of 1/32 inch
268256	18610	Needle Bar Rock Frame Thread Guide, in gauges from 29/32 to 1-1/8 in., in steps of 1/32 inch
268268	18610	Needle Bar Rock Frame Thread Guide, in gauges from 1-5/32 to 1-1/2 in., in steps of 1/32 inch

No.	Plate	Name
268304	18610	Needle Bar Rock Frame Thread Guide, in gauges from 1-17/32 to 2 in., in steps of 1/32 inch
268151	18610	Needle Holder, in gauges from 3/16 to 11/32 in., in steps of 1/32 in., with two 50014C
268152	18610	Needle Holder, in gauges from 3/8 to 5/8 in., in steps of 1/32 in., with two 50014C
268154	18610	Needle Holder, in gauges from 21/32 to 7/8 in., in steps of 1/32 in., with two 50014C
268156	18610	Needle Holder, in gauges from 29/32 to 1-1/8 in., in steps of 1/32 in., with two 50014C
268157	18610	Needle Holder, in gauges from 1-5/32 to 1-1/2 in., in steps of 1/32 in., with two 50014C
268158	18610	Needle Holder, in gauges from 1-17/32 to 2 in., in steps of 1/32 in., with two 50014C
50014C	18610	Needle Set Screw
226206	18674	" Thread Tension Releasing Pin (2)
54279	18674	Needle Thread Tension Thread Guide (double) (2)
268263	18674	Needle Thread Tension complete, Nos. 32572, 59537 to 59539, 131741 and two 2102 (2)
202090	18660	Presser Foot Hinge Pin
230795	18660	" " " Pin
267871	18660	" " Plate
267873	18660	" " Plate
267875	18660	" " Plate
267877	18660	" " Plate
267879	18660	" " Plate
267880	18660	Presser Foot (spring hinged) complete, 46 needle hole, in gauges 3/16 and 7/32 in., Nos. 202090, 226080, 267879, 268275 and 268612
267872	18660	Presser Foot (spring hinged) complete, 46 needle hole, in gauges from 1/4 to 3/4 in., in steps of 1/32 in., Nos. 206335, 226080, 267871, 268275 and 268612
267874	18660	Presser Foot (spring hinged) complete, 46 needle hole, in gauges from 25/32 to 1-1/4 in., in steps of 1/32 in., Nos. 226080, 230795, 267873, 268275 and 268612

No.	Plate	Name
267876	18660	Presser Foot (spring hinged) complete, 46 needle hole, in gauges from 1-9/32 to 1-3/4 in., in steps of 1/32 in., Nos. 226080, 230795, 267875, 268275 and 268612
267878	18660	Presser Foot (spring hinged) complete, 46 needle hole, in gauges from 1-25/32 to 2 in., in steps of 1/32 in., Nos. 226080, 230795, 267877, 268275 and 268612
268177	18610	Spreader, in gauges from 3/16 to 11/32 in., with two 268162
268178	18610	Spreader, in gauges from 3/8 to 5/8 in., in steps of 1/32 in., with two 268162
268179	18610	Spreader, in gauges from 21/32 to 7/8 in., in steps of 1/32 in., with two 268162
268180	18610	Spreader, in gauges from 29/32 to 1-1/8 in., in steps of 1/32 in., with two 268162
268207	18610	Spreader, in gauges from 1-5/32 to 1-1/2 in., in steps of 1/32 in., with two 268162
268284	18610	Spreader, in gauges from 1-17/32 to 2 in., in steps of 1/32 in., with two 268162
267850	18660	Throat Plate, for 267800, in gauges 3/16 and 7/32 inch
267851	18660	Throat Plate, for 267802, in gauges 1/4, 9/32 and 5/16 inch
267853	18660	Throat Plate, for 267804, in gauges 11/32, 3/8 and 13/32 inch
267855	18660	Throat Plate, for 267812, in gauges 7/16, 15/32 and 1/2 inch
267857	18660	Throat Plate, for 267817, in gauges 17/32, 9/16, 19/32, 5/8 and 21/32 inch
267858	18660	Throat Plate, for 267821, in gauges from 11/16 to 31/32 in., in steps of 1/32 inch
267859	18660	Throat Plate, for 267825, in gauges from 1 to 1-1/4 in., in steps of 1/32 inch
267860	18660	Throat Plate, for 267829, in gauges from 1-9/32 to 1-1/2 in., in steps of 1/32 inch
267862	18660	Throat Plate, for 267830, in gauges from 1-17/32 to 1-11/16 in., in steps of 1/32 inch
267861	18660	Throat Plate, for 267835, in gauges from 1-23/32 to 1-29/32 in., in steps of 1/32 inch
267863	18660	Throat Plate, for 267839, in gauges 1-15/16 and 2 inches

MACHINE No. 300w302

PULLER FEED

TWO THREAD CHAIN STITCH.

THREE NEEDLES. THREE LOOPERS.

COMPOUND FEED.

MAXIMUM STITCH 4 TO THE INCH.

FOR AWNING SEAMING AND SIMILAR WORK

IN MEDIUM AND HEAVY FABRICS

MADE IN GAUGES FROM 1/2 TO 2 INCHES

BETWEEN OUTSIDE NEEDLES

Same as Machine No. 300w102 with the following exceptions:

No.	Plate	Name
268402	18678	Bed Plate (left) for gauges between outside needles up to 3/4 in. each side of center of Needle Bar
268451	18678	Bed Plate (left) for gauges between outside needles from 25/32 to 1 in. each side of center of Needle Bar
268017	18678	Bed Plate Slide with two 268022 and four 200138D, for gauges between outside needles up to 3/4 in. each side of center of Needle Bar
268021	18678	Bed Plate Slide with two 268022 and four 200138D, for gauges between outside needles from 25/32 to 1 in. each side of center of Needle Bar
268807	18661	Feed Dog, 46 needle hole, for needle sizes 20 and 22, with three 268317 and six 200172D (standard feed surface) distance between outside needles from 1/2 to 1-1/2 in. Spacing between any two adjacent needles 3/16 or 7/32 in. (teeth cut 15 to the inch) for 268974

No.	Plate	Name
268811	18661	Feed Dog, 46 needle hole, for needle sizes 20 and 22, with three 268318 and six 200172D (standard feed surface) distance between outside needles from 1/2 to 1-1/2 in. Least distance between any two adjacent needles 1/4 in. (teeth cut 15 to the inch) for 268976
268809	18661	Feed Dog, 46 needle hole, for needle sizes 20 and 22, with three 268317 and six 200172D (standard feed surface) distance between outside needles from 1-17/32 to 2 in. Spacing between any two adjacent needles 3/16 or 7/32 in. (teeth cut 15 to the inch) for 268975
268813	18661	Feed Dog, 46 needle hole, for needle sizes 20 and 22, with three 268318 and six 200172D (standard feed surface) distance between outside needles from 1-17/32 to 2 in. Least distance between any two adjacent needles 1/4 in. (teeth cut 15 to the inch) for 268977
268317	18661	Loop Deflector
268088	18657	Looper (3)
268836	18657	" Holder with six 350478C, in gauges from 1/2 to 2 in., between outside needles. Least distance between any two adjacent needles 3/16 inch
268857	18657	Looper Thread Guide (on Bed at Looper) in gauges from 1/2 to 2 in. Least distance between any two adjacent needles 3/16 inch
268505	18675	Looper Thread Guide (top of Arm)
268506	18675	" " " " " " Bracket 268111 with 268505 and two 50169J
268122	18675	Looper Thread Tension Thread Guide (3)
5989	18675	Looper Thread Tension complete, Nos. 418D, 1562J, 10141 and two 2455 (3)
268136	18620	Needle Bar
268876	18657	" " Rock Frame Thread Guide, in gauges from 1/2 to 2 in., between outside needles. Least distance between any two adjacent needles 3/16 inch
268896	18657	Needle Holder with three 50014C, in gauges from 1/2 to 7/8 in. Least distance between any two adjacent needles 3/16 inch

No.	Plate	Name
268897	18657	Needle Holder with three 50014C, in gauges from 29/32 to 1-1/8 in. Least distance between any two adjacent needles 3/16 inch
268898	18657	Needle Holder with three 50014C, in gauges from 1-5/32 to 1-1/2 in. Least distance between any two adjacent needles 3/16 inch
268899	18657	Needle Holder with three 50014C, in gauges from 1-17/32 to 2 in. Least distance between any two adjacent needles 3/16 inch
50014C	18657	Needle Set Screw
268514	18675	" Thread Tension Bracket
268515	18675	" " " Releaser
226206	18675	" " " Releasing Pin (3)
54279	18675	Needle Thread Tension Thread Guide (double) (3)
268263	18675	Needle Thread Tension complete, Nos. 32572, 59537 to 59539, 131741 and two 2102 (3)
230795	18661	Presser Foot Hinge Pin
268920	18661	" " Plate
268921	18661	Presser Foot (spring hinged) complete, 46 needle hole, in gauges from 1/2 to 2 in. Least distance between any two adjacent needles 3/16 in., Nos. 226080, 230795, 268275, 268612 and 268920
268956	18657	Spreader with three 268162, in gauges from 1/2 to 2 in. Least distance between any two adjacent needles 3/16 inch
268974	18661	Throat Plate, for 268807, in gauges from 1/2 to 1-1/2 in., between outside needles. Spacing between any two adjacent needles 3/16 or 7/32 inch
268976	18661	Throat Plate, for 268811, in gauges from 1/2 to 1-1/2 in., between outside needles. Least distance between any two adjacent needles 1/4 inch
268975	18661	Throat Plate, for 268809, in gauges from 1-17/32 to 2 in., between outside needles. Spacing between any two adjacent needles 3/16 or 7/32 inch
268977	18661	Throat Plate, for 268813, in gauges from 1-17/32 to 2 in., between outside needles. Least distance between any two adjacent needles 1/4 inch

MACHINE No. 300w402

PULLER FEED

TWO THREAD CHAIN STITCH.

FOUR NEEDLES. FOUR LOOPERS.

COMPOUND FEED.

MAXIMUM STITCH 4 TO THE INCH.

FOR BANDING OPERATIONS ON WORK
CLOTHING AND SIMILAR WORK

MADE IN GAUGES FROM 3/4 TO 2 INCHES
BETWEEN OUTSIDE NEEDLES

Same as Machine No. 300w102 with the following exceptions:

No.	Plate	Name
268402	18678	Bed Plate (left) for gauges between outside needles up to 3/4 in. each side of center of Needle Bar
268451	18678	Bed Plate (left) for gauges between outside needles from 25/32 to 1 in. each side of center of Needle Bar
268017	18678	Bed Plate Slide with two 268022 and four 200138D, for gauges between outside needles up to 3/4 in. each side of center of Needle Bar
268021	18678	Bed Plate Slide with two 268022 and four 200138D, for gauges between outside needles from 25/32 to 1 in. each side of center of Needle Bar
269002	18662	Feed Dog, 46 needle hole, for needle sizes 20 and 22, with four 268317 and eight 200172D (standard feed surface) distance between outside needles from 3/4 to 1-1/2 in. Spacing between any two adjacent needles 3/16 or 7/32 in. (teeth cut 15 to the inch) for 269377

No.	Plate	Name
269006	18662	Feed Dog, 46 needle hole, for needle sizes 20 and 22, with four 268318 and eight 200172D (standard feed surface) distance between outside needles from 3/4 to 1-1/2 in. Least distance between any two adjacent needles 1/4 in. (teeth cut 15 to the inch) for 269379
269003	18662	Feed Dog, 46 needle hole, for needle sizes 20 and 22, with four 268317 and eight 200172D (standard feed surface) distance between outside needles from 1-17/32 to 2 in. Spacing between any two adjacent needles 3/16 or 7/32 in. (teeth cut 15 to the inch) for 269378
269007	18662	Feed Dog, 46 needle hole, for needle sizes 20 and 22, with four 268318 and eight 200172D (standard feed surface) distance between outside needles from 1-17/32 to 2 in. Least distance between any two adjacent needles 1/4 in. (teeth cut 15 to the inch) for 269380
268317	18662	Loop Deflector
268088	18658	Looper (4)
269065	18658	" Holder with eight 350478C, in gauges from 3/4 to 2 in., between outside needles. Least distance between any two adjacent needles 3/16 inch
269110	18658	Looper Thread Guide (on Bed at Looper) in gauges from 3/4 to 2 in. Least distance between any two adjacent needles 3/16 inch
268505	18676	Looper Thread Guide (top of Arm)
268506	18676	" " " " " " " Bracket 268111 with 268505 and two 50169J
268122	18676	Looper Thread Tension Thread Guide (4)
5989	18676	Looper Thread Tension complete, Nos. 418D, 1562J, 10141 and two 2455 (4)
268136	18620	Needle Bar
269138	18658	" " Rock Frame Thread Guide, in gauges from 3/4 to 2 in. Least distance between any two adjacent needles 3/16 inch
269191	18658	Needle Holder with four 50014C, in gauges from 3/4 to 7/8 in. Least distance between any two adjacent needles 3/16 inch

No.	Plate	Name
269192	18658	Needle Holder with four 50014C, in gauges from 29/32 to 1-1/8 in. Least distance between any two adjacent needles 3/16 inch
269193	18658	Needle Holder with four 50014C, in gauges from 1-5/32 to 1-1/2 in. Least distance between any two adjacent needles 3/16 inch
269194	18658	Needle Holder with four 50014C, in gauges from 1-17/32 to 2 in. Least distance between any two adjacent needles 3/16 inch
50014C	18658	Needle Set Screw
268514	18676	" Thread Tension Bracket
268515	18676	" " " Releaser
226206	18676	" " " Releasing Pin (4)
54279	18676	Needle Thread Tension Thread Guide (double) (4)
268263	18676	Needle Thread Tension complete, Nos. 32572, 59537 to 59539, 131741 and two 2102 (4)
269234	18663	Presser Foot Bracket with 350089C
269511	18663	" " " " 350089C
271115	18663	" " " Cover Plate
200583H	18663	" " " " " " Screw
350089C	18663	Presser Foot Bracket Pinch Screw
269512	18663	" " Connection Lever
271116	18663	" " " Lever
350068D	18663	" " " " Hinge Screw
350515C	18663	Presser Foot Connection Lever Hinge Screw
269235	18663	Presser Foot Plate (left)
269238	18663	" " " (left)
269236	18663	" " " (right)
269239	18663	" " " (right)
206335	18663	" " " Hinge Pin
213910	18663	" " " " Pin
26231	18663	" " " Spring
269515	18663	" " Shank
271117	18663	" " " (left)
271119	18663	" " " (right)
269516	18663	" " " Guide Plate
200581H	18663	" " " " " Screw
350122H	18663	" " " " " " Screw
269237	18663	Presser Foot (hinged, compensating) complete, 46 needle hole, in gauges from 3/4 to 1-7/32 in. Least distance between any two adjacent needles 3/16 in., Nos. 269234 to 269236, 271115 to 271117, 271119, 350515C, two each 26231, 200583H and 213910

No.	Plate	Name
269240	18663	Presser Foot (hinged, compensating) complete, 46 needle hole, in gauges from 1-1/4 to 2 in. Least distance between any two adjacent needles 3/16 in., Nos. 269238, 269239, 269511, 269512, 269516, 350068D, 350122H, two each 200581H, 206335, 226080 and 269515
269340	18658	Spreader with four 268162, in gauges from 3/4 to 2 in. Least distance between any two adjacent needles 3/16 inch
269377	18662	Throat Plate, for 269002, in gauges from 3/4 to 1-1/2 in., between outside needles. Spacing between any two adjacent needles 3/16 or 7/32 inch
269379	18662	Throat Plate, for 269006, in gauges from 3/4 to 1-1/2 in., between outside needles. Least distance between any two adjacent needles 1/4 inch
269378	18662	Throat Plate, for 269003, in gauges from 1-17/32 to 2 in., between outside needles. Spacing between any two adjacent needles 3/16 or 7/32 inch
269380	18662	Throat Plate, for 269007, in gauges from 1-17/32 to 2 in., between outside needles. Least distance between any two adjacent needles 1/4 inch

ACCESSORIES

FOR MACHINE No. 300w102

No.	Plate	Name
62x57	----	Needles, six, size 22
228443	18612	Drip Pan
200019E	18612	" " Screw (2)
210805	18612	" " " Washer (2)
52843	18612	" " " " (leather) (4)
268280	18611	Looper and Needle Bar Setting Gauge
268276	18611	" Threading Wire
131961	18612	Machine Base Oil Drain Jar (glass)
131962	18612	" " " " " Cap
131188	18612	" " " " " Clamp
131217	18612	" " " " " "
		131188 with 131189
131189	18612	Machine Base Oil Drain Jar Clamp Lever
1247C	18612	Machine Base Oil Drain Jar Clamp Screw
131266	18612	Machine Base Oil Drain Jar Nipple
228452	18612	Machine Base Oil Drain Jar complete, Nos. 131217, 131266, 131961, 131962 and two 1247C
228320	18645	Machine Cushion (felt) (4)
228444	18645	" " (neoprene) (4)
41400	18611	" Rest Pin (wood) (for use with all regular tables)
228449	18645	Machine Support (left) with two wood screws 1-1/4 in., No. 12, F. H. B.
228450	18645	Machine Support (right) with two wood screws 1-1/4 in., No. 12, F. H. B.
228491	18611	Pressure Oiler
228476	18611	Screw Driver
225498	18611	" " (7-1/4 in. long)
255542	18611	" " (8 in. blade)
27739	18611	Thread Cone (wood) (2)
228451	18611	Tweezers
202511	18611	Wrench
249820	18611	Wrench
255540	18611	" (steel)

FURNISHED ONLY WITH MACHINES

ORDERED FOR SEMI-SUBMERGED INSTALLATION

No.	Plate	Name
41401	-----	Machine Rest Pin (wood) (in place of 41400)
228460	-----	Machine Support (left) with two wood screws 1-1/4 in., No. 12, F. H. B. (in place of 228449)
228461	-----	Machine Support (right) with two wood screws 1-1/4 in., No. 12, F. H. B. (in place of 228450)

FOOT LIFTER TREADLE

14372	18614	Treadle
228474	18614	" Chain, 34 in. long, with two 202784
202784	18614	Treadle Chain Hook
14373	18614	" Extension
50581R	18614	" " Screw
2718	18614	" " " Washer
17881	18614	" Shaft
14374	18614	" Spring
14375	18614	" Stand
14376	18614	Foot Lifter Treadle complete, Nos. 2718, 14372 to 14375, 17881, 50581R and two wood screws 1-1/4 in., No. 12, F. H.

(Other Foot Lifter parts are listed with parts of Machine Head)

THREAD UNWINDER

FOR TWO SPOOLS

228647	18627	Base with two 200341C
228692	18627	Spool Pin
201528H	18627	" " Nut
228693	18627	" " Washer
225257	18627	" Rest (for two spools) (flat) with 201018C, two each 201528H, 228692 and 228693
150203	18627	Spool Rest Cushion (felt)
228648	18627	" " Rod
200341C	18627	" " " Set Screw
201018C	18627	" " Set Screw
228649	18627	Thread Tube with two 268125
268125	18627	" " Bushing

No.	Plate	Name
350101AL	18627	Thread Tube Set Screw
228658	18627	" " Support with 201129H and four 350101AL
201129H	18627	Thread Tube Support Set Screw
228650	18627	Thread Unwinder complete, for two spools, Nos. 225257, 228647, 228648, 228658, two each 150203, 228649 and three wood screws 1-1/4 in., No. 14, F. H. B.

FOR MACHINE No. 300w202

Same as for Machine No. 300w102 with the following exceptions:

62x57	-----	Needles, twelve, size 22
27739	18611	Thread Cone (wood) (4)

THREAD UNWINDER

FOR FOUR SPOOLS

228647	18628	Base with two 200341C
228692	18628	Spool Pin
201528H	18628	" " Nut
228693	18628	" " Washer
225257	18628	" Rest (for two spools) (flat) with 201018C, two each 201528H, 228692 and 228693
150203	18628	Spool Rest Cushion (felt)
228648	18628	" " Rod
200341C	18628	" " " Set Screw
201018C	18628	" " Set Screw
228652	18628	" " Stud
228651	18628	" " Support with 201129H, two 228652 and eight 350101AL
201129H	18628	Spool Rest Support Set Screw
228649	18628	Thread Tube with two 268125
268125	18628	" " Bushing
350101AL	18628	" " Set Screw
228653	18628	Thread Unwinder complete, for four spools, Nos. 228647, 228648, 228651, two 225257, four each 150203, 228649 and three wood screws 1-1/4 in., No. 14, F. H. B.

FOR MACHINE No. 300w302

Same as for Machine No. 300w102 with the following exceptions:

No.	Plate	Name
62x57	-----	Needles, eighteen, size 22
27739	18611	Thread Cone (wood) (6)

THREAD UNWINDER

FOR SIX SPOOLS

228647	18629	Base with two 200341C
228692	18629	Spool Pin
201528H	18629	" " Nut
228693	18629	" " Washer
225257	18629	" Rest (for two spools) (flat) with 201018C, two each 201528H, 228692 and 228693
150203	18629	Spool Rest Cushion (felt)
228648	18629	" " Rod
200341C	18629	" " " Set Screw
201018C	18629	" " Set Screw
228652	18629	" " Stud
228654	18629	" " Support with 201129H, two 228652 and twelve 350101AL
201129H	18629	Spool Rest Support Set Screw
228649	18629	Thread Tube with two 268125
268125	18629	" " Bushing
350101AL	18629	" " Set Screw
228655	18629	Thread Unwinder complete, for six spools, Nos. 228647, 228648, 228654, three 225257, six each 150203, 228649 and three wood screws 1-1/4 in., No. 14, F. H. B.

FOR MACHINE No. 300w402

Same as for Machine No. 300w102 with the following exceptions:

62x57	-----	Needles, twenty-four, size 22
27739	18611	Thread Cone (wood) (8)

THREAD UNWINDER

FOR EIGHT SPOOLS

No.	Plate	Name
228647	18630	Base with two 200341C
228692	18630	Spool Pin
201528H	18630	" " Nut
228693	18630	" " Washer
225257	18630	" Rest (for two spools) (flat) with two 201018C, two each 201528H, 228692 and 228693
150203	18630	Spool Rest Cushion (felt)
228648	18630	" " Rod
200341C	18630	" " " Set Screw
201018C	18630	" " Set Screw
228652	18630	" " Stud
228656	18630	" " Support with 201129H, four 228652 and sixteen 350101AL
201129H	18630	Spool Rest Support Set Screw
228649	18630	Thread Tube with two 268125
268125	18630	" " Bushing
350101AL	18630	" " Set Screw
228657	18630	Thread Unwinder complete, for eight spools, Nos. 228647, 228648, 228656, four 225257, eight each 150203, 228649 and three wood screws 1-1/4 in., No. 14, F. H. B.

FEED DOGS

FOR MACHINE No. 300w102

268618	18659	Feed Dog, 46 needle hole, for needle sizes 20 and 22 (teeth cut 15 to the inch) with 268318 and two 200172D, for 268614
268619	18659	Feed Dog, 40 needle hole, for needle sizes 23 and 24 (teeth cut 15 to the inch) with 268318 and two 200172D, for 268614

FOR MACHINE No. 300w202		
No.	Plate	Name
267800	18660	Feed Dog, 46 needle hole, for needle sizes 20 and 22, in gauges 3/16 and 7/32 in. (teeth cut 15 to the inch) with two 268317 and four 200172D, for 267850
267802	18660	Feed Dog, 46 needle hole, for needle sizes 20 and 22, in gauges 1/4, 9/32 and 5/16 in. (teeth cut 15 to the inch) with two 268318 and four 200172D, for 267851
267804	18660	Feed Dog, 46 needle hole, for needle sizes 20 and 22, in gauges 11/32, 3/8 and 13/32 in. (teeth cut 15 to the inch) with two 268318 and four 200172D, for 267853
267812	18660	Feed Dog, 46 needle hole, for needle sizes 20 and 22, in gauges 7/16, 15/32 and 1/2 in. (teeth cut 15 to the inch) with two 268318 and four 200172D, for 267855
267817	18660	Feed Dog, 46 needle hole, for needle sizes 20 and 22, in gauges 17/32, 9/16, 19/32, 5/8 and 21/32 in. (teeth cut 15 to the inch) with two 268318 and four 200172D, for 267857
267821	18660	Feed Dog, 46 needle hole, for needle sizes 20 and 22, in gauges from 11/16 to 31/32 in., in steps of 1/32 in. (teeth cut 15 to the inch) with two 268318 and four 200172D, for 267858
267825	18660	Feed Dog, 46 needle hole, for needle sizes 20 and 22, in gauges from 1 to 1-1/4 in., in steps of 1/32 in. (teeth cut 15 to the inch) with two 268318 and four 200172D, for 267859
267829	18660	Feed Dog, 46 needle hole, for needle sizes 20 and 22, in gauges from 1-9/32 to 1-1/2 in., in steps of 1/32 in. (teeth cut 15 to the inch) with two 268318 and four 200172D, for 267860
267830	18660	Feed Dog, 46 needle hole, for needle sizes 20 and 22, in gauges from 1-17/32 to 1-11/16 in., in steps of 1/32 in. (teeth cut 15 to the inch) with two 268318 and four 200172D, for 267862

No.	Plate	Name
267833	18660	Feed Dog, 46 needle hole, for needle sizes 20 and 22, in gauges from 1-23/32 to 1-29/32 in., in steps of 1/32 in. (teeth cut 15 to the inch) with two 268318 and four 200172D, for 267861
267839	18660	Feed Dog, 46 needle hole, for needle sizes 20 and 22, in gauges 1-15/16 and 2 in. (teeth cut 15 to the inch) with two 268318 and four 200172D, for 267863
267815	18660	Feed Dog, 40 needle hole, for needle sizes 23 and 24, in gauges 11/32, 3/8 and 13/32 in. (teeth cut 15 to the inch) with two 268318 and four 200172D, for 267853
267819	18660	Feed Dog, 40 needle hole, for needle sizes 23 and 24, in gauges 11/32, 3/8 and 13/32 in. (teeth cut 8 to the inch) with two 268318 and four 200172D, for 267853
267826	18660	Feed Dog, 40 needle hole, for needle sizes 23 and 24, in gauges 7/16, 15/32 and 1/2 in. (teeth cut 15 to the inch) with two 268318 and four 200172D, for 267855
267831	18660	Feed Dog, 40 needle hole, for needle sizes 23 and 24, in gauges 7/16, 15/32 and 1/2 in. (teeth cut 8 to the inch) with two 268318 and four 200172D, for 267855
267834	18660	Feed Dog, 40 needle hole, for needle sizes 23 and 24, in gauges 17/32, 9/16, 19/32, 5/8 and 21/32 in. (teeth cut 8 to the inch) with two 268318 and four 200172D, for 267857
267835	18660	Feed Dog, 40 needle hole, for needle sizes 23 and 24, in gauges from 11/16 to 31/32 in., in steps of 1/32 in. (teeth cut 15 to the inch) with two 268318 and four 200172D, for 267858
267837	18660	Feed Dog, 40 needle hole, for needle sizes 23 and 24, in gauges from 11/16 to 31/32 in., in steps of 1/32 in. (teeth cut 8 to the inch) with two 268318 and four 200172D, for 267858
267838	18660	Feed Dog, 40 needle hole, for needle sizes 23 and 24, in gauges from 1 to 1-1/4 in., in steps of 1/32 in. (teeth cut 8 to the inch) with two 268318 and four 200172D, for 267859

FOR MACHINE No. 300w302

No.	Plate	Name
268807	18661	Feed Dog, 46 needle hole, for needle sizes 20 and 22, with three 268317 and six 200172D (standard feed surface) distance between outside needles from 1/2 to 1-1/2 in. Spacing between any two adjacent needles 3/16 or 7/32 in. (teeth cut 15 to the inch) for 268974
268811	18661	Feed Dog, 46 needle hole, for needle sizes 20 and 22, with three 268318 and six 200172D (standard feed surface) distance between outside needles from 1/2 to 1-1/2 in. Least distance between any two adjacent needles 1/4 in. (teeth cut 15 to the inch) for 268976
268809	18661	Feed Dog, 46 needle hole, for needle sizes 20 and 22, with three 268317 and six 200172D (standard feed surface) distance between outside needles from 1-17/32 to 2 in. Spacing between any two adjacent needles 3/16 or 7/32 in. (teeth cut 15 to the inch) for 268975
268813	18661	Feed Dog, 46 needle hole, for needle sizes 20 and 22, with three 268318 and six 200172D (standard feed surface) distance between outside needles from 1-17/32 to 2 in. Least distance between any two adjacent needles 1/4 in. (teeth cut 15 to the inch) for 268977
268808	18661	Feed Dog, 40 needle hole, for needle sizes 23 and 24, with three 268317 and six 200172D (standard feed surface) distance between outside needles from 1/2 to 1-1/2 in. Spacing between any two adjacent needles 3/16 or 7/32 in. (teeth cut 8 to the inch) for 268974
268812	18661	Feed Dog, 40 needle hole, for needle sizes 23 and 24, with three 268318 and six 200172D (standard feed surface) distance between outside needles from 1/2 to 1-1/2 in. Least distance between any two adjacent needles 1/4 in. (teeth cut 8 to the inch) for 268976

No.	Plate	Name
268810	18661	Feed Dog, 40 needle hole, for needle sizes 23 and 24, with three 268317 and six 200172D (standard feed surface) distance between outside needles from 1-17/32 to 2 in. Spacing between any two adjacent needles 3/16 or 7/32 in. (teeth cut 8 to the inch) for 268975
268814	18661	Feed Dog, 40 needle hole, for needle sizes 23 and 24, with three 268318 and six 200172D (standard feed surface) distance between outside needles from 1-17/32 to 2 in. Least distance between any two adjacent needles 1/4 in. (teeth cut 8 to the inch) for 268977

FOR MACHINE No. 300w402

269002	18662	Feed Dog, 46 needle hole, for needle sizes 20 and 22, with four 268317 and eight 200172D (standard feed surface) distance between outside needles from 3/4 to 1-1/2 in. Spacing between any two adjacent needles 3/16 or 7/32 in. (teeth cut 15 to the inch) for 269377
269006	18662	Feed Dog, 46 needle hole, for needle sizes 20 and 22, with four 268318 and eight 200172D (standard feed surface) distance between outside needles from 3/4 to 1-1/2 in. Least distance between any two adjacent needles 1/4 in. (teeth cut 15 to the inch) for 269379
269003	18662	Feed Dog, 46 needle hole, for needle sizes 20 and 22, with four 268317 and eight 200172D (standard feed surface) distance between outside needles from 1-17/32 to 2 in. Spacing between any two adjacent needles 3/16 or 7/32 in. (teeth cut 15 to the inch) for 269378
269007	18662	Feed Dog, 46 needle hole, for needle sizes 20 and 22, with four 268318 and eight 200172D (standard feed surface) distance between outside needles from 1-17/32 to 2 in. Least distance between any two adjacent needles 1/4 in. (teeth cut 15 to the inch) for 269380

LOOPER HOLDERS

FOR MACHINE No. 300w102

No.	Plate	Name
268602	18616	Looper Holder with two 350478C

FOR MACHINE No. 300w202

268103	18610	Looper Holder, in gauges from $3/16$ to $11/32$ in., in steps of $1/32$ in., with four 350478C
268104	18610	Looper Holder, in gauges from $3/8$ to $5/8$ in., in steps of $1/32$ in., with four 350478C
268105	18610	Looper Holder, in gauges from $21/32$ to $7/8$ in., in steps of $1/32$ in., with four 350478C
268106	18610	Looper Holder, in gauges from $29/32$ to $1-1/8$ in., in steps of $1/32$ in., with four 350478C
268107	18610	Looper Holder, in gauges from $1-5/32$ to $1-1/2$ in., in steps of $1/32$ in., with four 350478C
268282	18610	Looper Holder, in gauges from $1-17/32$ to 2 in., in steps of $1/32$ in., with four 350478C

FOR MACHINE No. 300w302

268836	18657	Looper Holder with six 350478C, in gauges from $1/2$ to 2 in., between outside needles. Least distance between any two adjacent needles $3/16$ inch
--------	-------	---

FOR MACHINE No. 300w402

269065	18658	Looper Holder with eight 350478C, in gauges from $3/4$ to 2 in., between outside needles. Least distance between any two adjacent needles $3/16$ inch
--------	-------	---

LOOPER THREAD GUIDES

(ON BED AT LOOPER)

FOR MACHINE No. 300w102

No.	Plate	Name
268296	18616	Looper Thread Guide (on Bed at Looper)

FOR MACHINE No. 300w202

268296	18610	Looper Thread Guide (on Bed at Looper) for gauges from $3/16$ to $15/32$ inch
268297	18610	Looper Thread Guide (on Bed at Looper) for gauges from $1/2$ to $25/32$ inch
268298	18610	Looper Thread Guide (on Bed at Looper) for gauges from $13/16$ to $1-3/32$ inch
268299	18610	Looper Thread Guide (on Bed at Looper) for gauges from $1-1/8$ to $1-13/32$ inch
268300	18610	Looper Thread Guide (on Bed at Looper) for gauges from $1-7/16$ to $1-23/32$ inch
268301	18610	Looper Thread Guide (on Bed at Looper) for gauges from $1-3/4$ to 2 inches

FOR MACHINE No. 300w302

268857	18657	Looper Thread Guide (on Bed at Looper) in gauges from $1/2$ to 2 in. Least distance between any two adjacent needles $3/16$ inch
--------	-------	--

FOR MACHINE No. 300w402

269110	18658	Looper Thread Guide (on Bed at Looper) in gauges from $3/4$ to 2 in. Least distance between any two adjacent needles $3/16$ inch
--------	-------	--

NEEDLE BAR ROCK FRAME

THREAD GUIDES

FOR MACHINE No. 300w102

No.	Plate	Name
268219	18616	Needle Bar Rock Frame Thread Guide

FOR MACHINE No. 300w202

268219	18610	Needle Bar Rock Frame Thread Guide, in gauges from $3/16$ to $11/32$ in., in steps of $1/32$ inch
268254	18610	Needle Bar Rock Frame Thread Guide, in gauges from $3/8$ to $5/8$ in., in steps of $1/32$ inch
268255	18610	Needle Bar Rock Frame Thread Guide, in gauges from $21/32$ to $7/8$ in., in steps of $1/32$ inch
268256	18610	Needle Bar Rock Frame Thread Guide, in gauges from $29/32$ to $1-1/8$ in., in steps of $1/32$ inch
268268	18610	Needle Bar Rock Frame Thread Guide, in gauges from $1-5/32$ to $1-1/2$ in., in steps of $1/32$ inch
268304	18610	Needle Bar Rock Frame Thread Guide, in gauges from $1-17/32$ to 2 in., in steps of $1/32$ inch

FOR MACHINE No. 300w302

268876	18657	Needle Bar Rock Frame Thread Guide, in gauges from $1/2$ to 2 in., between outside needles. Least distance between any two adjacent needles $3/16$ inch
--------	-------	---

FOR MACHINE No. 300w402

269138	18658	Needle Bar Rock Frame Thread Guide, in gauges from $3/4$ to 2 in. Least distance between any two adjacent needles $3/16$ inch
--------	-------	---

NEEDLE HOLDERS

FOR MACHINE No. 300w202

No.	Plate	Name
268151	18610	Needle Holder, in gauges from $3/16$ to $11/32$ in., in steps of $1/32$ in., with two 50014C
268152	18610	Needle Holder, in gauges from $3/8$ to $5/8$ in., in steps of $1/32$ in., with two 50014C
268154	18610	Needle Holder, in gauges from $21/32$ to $7/8$ in., in steps of $1/32$ in., with two 50014C
268156	18610	Needle Holder, in gauges from $29/32$ to $1-1/8$ in., in steps of $1/32$ in., with two 50014C
268157	18610	Needle Holder, in gauges from $1-5/32$ to $1-1/2$ in., in steps of $1/32$ in., with two 50014C
268158	18610	Needle Holder, in gauges from $1-17/32$ to 2 in., in steps of $1/32$ in., with two 50014C

FOR MACHINE No. 300w302

268896	18657	Needle Holder with three 50014C, in gauges from $1/2$ to $7/8$ in. Least distance between any two adjacent needles $3/16$ inch
268897	18657	Needle Holder with three 50014C, in gauges from $29/32$ to $1-1/8$ in. Least distance between any two adjacent needles $3/16$ inch
268898	18657	Needle Holder with three 50014C, in gauges from $1-5/32$ to $1-1/2$ in. Least distance between any two adjacent needles $3/16$ inch
268899	18657	Needle Holder with three 50014C, in gauges from $1-17/32$ to 2 in. Least distance between any two adjacent needles $3/16$ inch

FOR MACHINE No. 300w402

No.	Plate	Name
269191	18658	Needle Holder with four 50014C, in gauges from 3/4 to 7/8 in. Least distance between any two adjacent needles 3/16 inch
269192	18658	Needle Holder with four 50014C, in gauges from 29/32 to 1-1/8 in. Least distance between any two adjacent needles 3/16 inch
269193	18658	Needle Holder with four 50014C, in gauges from 1-5/32 to 1-1/2 in. Least distance between any two adjacent needles 3/16 inch
269194	18658	Needle Holder with four 50014C, in gauges from 1-17/32 to 2 in. Least distance between any two adjacent needles 3/16 inch

PRESSER FEET

FOR MACHINE No. 300w102

206335	18659	Presser Foot Hinge Pin
268611	18659	" " Plate
268616	18659	" " Plate
268612	18659	" " " Heel Spring
226080	18659	" " " Spring
268275	18659	" " Shank with 1454F
1454F	18659	" " " Pinch Screw
268613	18659	Presser Foot (spring hinged) complete, 46 needle hole, Nos. 206335, 226080, 268275, 268611 and 268612
268617	18659	Presser Foot (spring hinged) complete, 40 needle hole, Nos. 206335, 226080, 268275, 268612 and 268616

FOR MACHINE No. 300w202

202090	18660	Presser Foot Hinge Pin
206335	18660	" " " Pin
230795	18660	" " " Pin
267871	18660	" " Plate
267873	18660	" " Plate
267875	18660	" " Plate

No.	Plate	Name
267877	18660	Presser Foot Plate
267879	18660	" " Plate
267881	18660	" " Plate
267883	18660	" " Plate
268612	18660	" " " Heel Spring
226080	18660	" " " Spring
268275	18660	" " Shank with 1454F
1454F	18660	" " " Pinch Screw
267880	18660	Presser Foot (spring hinged) complete, 46 needle hole, in gauges 3/16 and 7/32 in., Nos. 202090, 226080, 267879, 268275 and 268612
267872	18660	Presser Foot (spring hinged) complete, 46 needle hole, in gauges from 1/4 to 3/4 in., in steps of 1/32 in., Nos. 206335, 226080, 267871, 268275 and 268612
267882	18660	Presser Foot (spring hinged) complete, 40 needle hole, in gauges from 1/4 to 3/4 in., in steps of 1/32 in., Nos. 206335, 226080, 267881, 268275 and 268612
267874	18660	Presser Foot (spring hinged) complete, 46 needle hole, in gauges from 25/32 to 1-1/4 in., in steps of 1/32 in., Nos. 226080, 230795, 267873, 268275 and 268612
267884	18660	Presser Foot (spring hinged) complete, 40 needle hole, in gauges from 25/32 to 1-1/4 in., in steps of 1/32 in., Nos. 226080, 230795, 267883, 268275 and 268612
267876	18660	Presser Foot (spring hinged) complete, 46 needle hole, in gauges from 1-9/32 to 1-3/4 in., in steps of 1/32 in., Nos. 226080, 230795, 267875, 268275 and 268612
267878	18660	Presser Foot (spring hinged) complete, 46 needle hole, in gauges from 1-25/32 to 2 in., in steps of 1/32 in., Nos. 226080, 230795, 267877, 268275 and 268612

FOR MACHINE No. 300w302

230795	18661	Presser Foot Hinge Pin
268920	18661	" " Plate
268922	18661	" " Plate
268612	18661	" " " Heel Spring
226080	18661	" " " Spring
268275	18661	" " Shank with 1454F

No.	Plate	Name
1454F	18661	Presser Foot Shank Pinch Screw
268921	18661	Presser Foot (spring hinged) complete, 46 needle hole, in gauges from 1/2 to 2 in. Least distance between any two adjacent needles 3/16 in., Nos. 226080, 230795, 268275, 268612 and 268920
268923	18661	Presser Foot (spring hinged) complete, 40 needle hole, in gauges from 1/2 to 2 in. Least distance between any two adjacent needles 3/16 in., Nos. 226080, 230795, 268275, 268612 and 268922

FOR MACHINE No. 300w402

269234	18663	Presser Foot Bracket with 350089C
269511	18663	" " " " 350089C
271115	18663	" " " " Cover Plate
200583H	18663	" " " " " "
		Screw
350089C	18663	Presser Foot Bracket Pinch Screw
269512	18663	" " Connection Lever
271116	18663	" " " " Lever
350068D	18663	" " " " " Hinge
		Screw
350515C	18663	Presser Foot Connection Lever Hinge
		Screw
230795	18662	Presser Foot Hinge Pin
269230	18662	" " Plate
269235	18663	" " " (left)
269238	18663	" " " (left)
269236	18663	" " " (right)
269239	18663	" " " (right)
268612	18662	" " " Heel Spring
206335	18663	" " " Hinge Pin
213910	18663	" " " " Pin
26231	18663	" " " Spring
226080	18662	" " " Spring
269515	18663	" " Shank
271117	18663	" " " (left)
271119	18663	" " " (right)
268275	18662	" " " with 1454F
269516	18663	" " " Guide Plate
200581H	18663	" " " " " Screw
350122H	18663	" " " " " Screw
1454F	18662	" " " Pinch Screw

No.	Plate	Name
269231	18662	Presser Foot (spring hinged) complete, 46 needle hole, in gauges from 3/4 to 2 in. Least distance between any two adjacent needles 3/16 in., Nos. 226080, 230795, 268275, 268612 and 269230
269237	18663	Presser Foot (hinged, compensating) complete, 46 needle hole, in gauges from 3/4 to 1-7/32 in. Least distance between any two adjacent needles 3/16 in., Nos. 269234 to 269236, 271115 to 271117, 271119, 350515C, two each 26231, 200583H and 213910
269240	18663	Presser Foot (hinged, compensating) complete, 46 needle hole, in gauges from 1-1/4 to 2 in. Least distance between any two adjacent needles 3/16 in., Nos. 269238, 269239, 269511, 269512, 269516, 350068D, 350122H, two each 200581H, 206335, 226080 and 269515

SPREADERS

FOR MACHINE No. 300w102

268606	18616	Spreader with 268162
--------	-------	----------------------

FOR MACHINE No. 300w202

268177	18610	Spreader, in gauges from 3/16 to 11/32 in., in steps of 1/32 in., with two 268162
268178	18610	Spreader, in gauges from 3/8 to 5/8 in., in steps of 1/32 in., with two 268162
268179	18610	Spreader, in gauges from 21/32 to 7/8 in., in steps of 1/32 in., with two 268162
268180	18610	Spreader, in gauges from 29/32 to 1-1/8 in., in steps of 1/32 in., with two 268162
268207	18610	Spreader, in gauges from 1-5/32 to 1-1/2 in., in steps of 1/32 in., with two 268162
268284	18610	Spreader, in gauges from 1-17/32 to 2 in., in steps of 1/32 in., with two 268162

FOR MACHINE No. 300w302

No.	Plate	Name
268956	18657	Spreader with three 268162, in gauges from 1/2 to 2 in. Least distance between any two adjacent needles 3/16 inch

FOR MACHINE No. 300w402

269340	18658	Spreader with four 268162, in gauges from 3/4 to 2 in. Least distance between any two adjacent needles 3/16 inch
--------	-------	--

THROAT PLATES

FOR MACHINE No. 300w102

268614	18659	Throat Plate, for 268618 and 268619
--------	-------	-------------------------------------

FOR MACHINE No. 300w202

267850	18660	Throat Plate, for 267800, in gauges 3/16 and 7/32 inch
267851	18660	Throat Plate, for 267802, in gauges 1/4, 9/32 and 5/16 inch
267853	18660	Throat Plate, for 267804, 267815 and 267819, in gauges 11/32, 3/8 and 13/32 inch
267855	18660	Throat Plate, for 267812, 267826 and 267831, in gauges 7/16, 15/32 and 1/2 inch
267857	18660	Throat Plate, for 267817 and 267834, in gauges 17/32, 9/16, 19/32, 5/8 and 21/32 inch
267858	18660	Throat Plate, for 267821, 267835 and 267837, in gauges from 11/16 to 31/32 in., in steps of 1/32 inch
267859	18660	Throat Plate, for 267825 and 267838, in gauges from 1 to 1-1/4 in., in steps of 1/32 inch

No.	Plate	Name
267860	18660	Throat Plate, for 267829, in gauges from 1-9/32 to 1-1/2 in., in steps of 1/32 inch
267862	18660	Throat Plate, for 267830, in gauges from 1-17/32 to 1-11/16 in., in steps of 1/32 inch
267861	18660	Throat Plate, for 267833, in gauges from 1-23/32 to 1-29/32 in., in steps of 1/32 inch
267863	18660	Throat Plate, for 267839, in gauges 1-15/16 and 2 inches

FOR MACHINE No. 300w302

268974	18661	Throat Plate, for 268807 and 268808, in gauges from 1/2 to 1-1/2 in., between outside needles. Spacing between any two adjacent needles 3/16 or 7/32 inch
268976	18661	Throat Plate, for 268811 and 268812, in gauges from 1/2 to 1-1/2 in., between outside needles. Least distance between any two adjacent needles 1/4 inch
268975	18661	Throat Plate, for 268809 and 268810, in gauges from 1-17/32 to 2 in., between outside needles. Spacing between any two adjacent needles 3/16 or 7/32 inch
268977	18661	Throat Plate, for 268813 and 268814, in gauges from 1-17/32 to 2 in., between outside needles. Least distance between any two adjacent needles 1/4 inch

FOR MACHINE No. 300w402

269377	18662	Throat Plate, for 269002, in gauges from 3/4 to 1-1/2 in., between outside needles. Spacing between any two adjacent needles 3/16 or 7/32 inch
269379	18662	Throat Plate, for 269006, in gauges from 3/4 to 1-1/2 in., between outside needles. Least distance between any two adjacent needles 1/4 inch

No.	Plate	Name
269378	18662	Throat Plate, for 269003, in gauges from 1-17/32 to 2 in., between outside needles. Spacing between any two adjacent needles 3/16 or 7/32 inch
269380	18662	Throat Plate, for 269007, in gauges from 1-17/32 to 2 in., between outside needles. Least distance between any two adjacent needles 1/4 inch

NUMERICAL LIST OF PARTS

No.	Plate	Name
418D	18673	Looper Thread Tension Stud, for 5989
913C	18680	Puller Feed Roll (upper) Bar Spring Adjusting Thumb Screw
1036AL	18679	Puller Feed Clutch Driving Connection Set Screw, for 268442
1247C	18612	Machine Base Oil Drain Jar Clamp Screw, for 228452
1257C	18677	Puller Feed Driving Link Hinge Screw
1390C	18679	" " Clutch Driving Connection Pinch Screw, for 268442
1454F	18659	Presser Foot Shank Pinch Screw, for 268275
1562J	18673	Looper Thread Tension Thumb Nut, for 5989
1620E	18677	Puller Feed Driving Link Hinge Screw Nut
2102	18673	Needle Thread Tension Disc, for 268263
2718	18614	Foot Lifter Treadle Extension Screw Washer, for 14376
2455	18673	Looper Thread Tension Disc, for 5989
5989	18673	Looper Thread Tension complete, Nos. 418D, 1562J, 10141 and two 2455
8582	18678	Arm Position Pin
10141	18673	Looper Thread Tension Spring, for 5989
		Nos. 14372 to 14375, for 14376
14372	18614	Foot Lifter Treadle
14373	18614	" " " Extension
14374	18614	" " " Spring
14375	18614	" " " Stand
14376	18614	Foot Lifter Treadle complete, Nos. 2718, 14372 to 14375, 17881, 50581R and two wood screws 1-1/4 in., No. 12, F. H.
17881	18614	Foot Lifter Treadle Shaft, for 14376
26231	18663	Presser Foot Plate Spring, for 269237
27739	18611	Thread Cone (wood)
32572	18673	Needle Thread Tension Releasing Disc, for 268263
41400	18611	Machine Rest Pin (wood) (for use with all regular tables)
41401	-----	Machine Rest Pin (wood) (in place of 41400) for Semi-Submerged Install- ation

NUMERICAL LIST OF PARTS

No.	Plate	Name
50014C	18610	Needle Set Screw, for 268151, 268152, 268154, 268156 to 268158, 268896 to 268899 and 269191 to 269194
50169J	18673	Looper Thread Guide (top of Arm) Screw, for 268218 and 268506
50326C	18673	Needle Thread Tension Stud, for 59539
50375F	18679	Puller Feed Clutch Sleeve Set Screw, for 131724
50581R	18614	Foot Lifter Treadle Extension Screw, for 14376
51570C	18673	Needle Thread Tension Thumb Nut, for 59539
52843	18612	Drip Pan Screw Washer (leather)
54279	18673	Needle Thread Tension Thread Guide (double)
		Nos. 59537 to 59539, for 268263
59537	18673	Needle Thread Tension Spring Bushing (front)
59538	18673	Needle Thread Tension Spring Bushing (back)
59539	18673	Needle Thread Tension Stud 50326C with 51570C
67425	18635	Looper Carrier Crank Clamping Stud Washer
68152	18679	Puller Feed Clutch Roller Plunger, for 268446
131188	18612	Machine Base Oil Drain Jar Clamp, for 131217
131189	18612	Machine Base Oil Drain Jar Clamp Lever, for 131217
131217	18612	Machine Base Oil Drain Jar Clamp 131188 with 131189, for 228452
131266	18612	Machine Base Oil Drain Jar Nipple, for 228452
131712	18679	Puller Feed Clutch Driving Spider, for 131713
131713	18679	Puller Feed Clutch Driving Spider 131712 with three 131726, for 268446
131717	18679	Puller Feed Clutch Roller, for 268446
131718	18679	" " " " Spring, for 268446
131724	18679	Puller Feed Clutch Sleeve with two 50375F, for 268446
131725	18679	Puller Feed Clutch Washer, for 268446
131726	18679	" " " Roller Wear Plate, for 131713 and 268445
131741	18673	Needle Thread Tension Spring, for 268263
131961	18612	Machine Base Oil Drain Jar (glass) for 228452
131962	18612	Machine Base Oil Drain Jar Cap, for 228452

NUMERICAL LIST OF PARTS

No.	Plate	Name
131979	18679	Puller Feed Roll (lower) with two 140279AL
131979	18680	Puller Feed Roll (upper) with two 140279AL
139158	18673	Looper Thread Guide (top of Arm) for 268218
140279AL	18679	Puller Feed Roll (lower) Set Screw, for 131979
140279AL	18680	Puller Feed Roll (upper) Set Screw, for 131979
150203	18627	Thread Unwinder Spool Rest Cushion (felt) for 228650, 228653, 228655 and 228657
200004E	18678	Arm Screw
200017C	18679	Bed Hinge Connection Bracket Screw
200017C	18679	Puller Feed Roll (lower) Shaft Bracket Screw
200019E	18612	Drip Pan Screw
200029E	18678	Arm Head Screw, for 268001
200035D	18673	Looper Thread Guide Screw
200035E	18605	Spreader Bar Bearing Screw, for 268401
200040AL	18603	Feed Dog Shank Screw
200047D	18670	Arm Shaft Ball Bearing (back) Housing Screw
200047E	18673	Needle Thread Tension Bracket Screw
200050C	18680	Puller Feed Roll (upper) Bar Lifter Cam Plate Screw, for 268431
200053H	18678	Bed Plate Screw
200054C	18673	Looper Thread Tube Clamp Screw
200058C	18617	Needle Bar Rock Frame Driving Arm Pinch Screw, for 268161
200061C	18603	Feed Driving Rock Shaft Crank Pinch Screw, for 268073
200061C	18603	Feed Lifting Rock Shaft Crank Pinch Screw, for 268198
200062H	18680	Puller Feed Roll (upper) Bar Lifter Cap Screw
200064D	18673	Needle Thread Nipper Bearing Plate Screw
200069C	18617	Needle Bar Connecting Stud Pinch Screw, for 268141
200078H	18678	Arm Side Cover Screw
200078F	18677	Feed Regulating Stud Socket Screw
200078F	18677	Puller Feed Regulating Stud Socket Screw
200082D	18673	Needle Thread Guide Screw
200085C	18635	Looper Carrier Shaft Bushing (left) Position Plate Screw
200089C	18635	Looper Carrier Crank Hinge Pin Pinch Screw, for 268307
200095H	18617	Needle Bar Connecting Link Cap Washer Screw

No.	Plate	Name
200098F	18677	Looper Thread Take-up Driving Connection Hinge Stud Set Screw, for 268115
200098F	18603	Looper Throw-out Safety Latch Spring Bracket Screw
200100C	18659	Feed Dog Screw
200100E	18659	Throat Plate Screw
200123D	18603	Feed Driving Connection Cap Screw
200123D	18617	Needle Bar Rock Frame Driving Connection Cap Screw
200125F	18617	Needle Set Screw, for 268603
200138D	18678	Bed Plate Slide Spring Screw, for 268017 and 268021
200172D	18659	Loop Deflector Screw, for 267800, 267802, 267804, 267812, 267815, 267817, 267819, 267821, 267825, 267826, 267829 to 267831, 267833 to 267835, 267837 to 267839, 268618, 268619, 268807 to 268814, 269002, 269003, 269006 and 269007
200173D	18617	Needle Bar Oiling Felt Holder Screw
200202F	18680	Puller Feed Roll (upper) Bar Lifter Roller Screw Stud
200226E	18678	Presser Bar Spring Support Screw
200303H	18635	Looper Driving Crank Oil Hole Cover Screw
200327C	18670	Balance Wheel Set Screw, for 268048
200328C	18670	" " Position Screw, for 268048
200335C	18677	Puller Feed Driving Lever Hinge Stud Set Screw
200337C	18670	Needle Bar Rock Frame Regulating Stud Sleeve Set Screw
200341C	18627	Thread Unwinder Spool Rest Rod Set Screw, for 228647
200344C	18635	Looper Driving Crank Position Screw, for 268277
200346C	18670	Needle Bar Crank Set Screw, for 268142
200354C	18670	Arm Shaft Counter Balance Position Screw, for 268007
200354C	18677	Bed Shaft Counter Balance Position Screw, for 268007
200354C	18603	Feed Driving Rock Frame Position Screw, for 268069
200354C	18635	Looper Carrier Shaft Bushing Position Screw, for 268095 and 268097
200354C	18670	Needle Bar Crank Position Screw, for 268142
200354C	18680	Puller Feed Roll (upper) Bracket Position Screw, for 268437
200355H	18677	Puller Feed Driving Connection Hinge Pin Set Screw, for 268410

No.	Plate	Name
200362C	18670	Arm Shaft Counter Balance Set Screw, for 268007
200362C	18677	Bed Shaft Counter Balance Set Screw, for 268007
200362C	18603	Feed Driving Rock Frame Set Screw, for 268069
200362C	18635	Looper Carrier Shaft Bushing Set Screw, for 268095 and 268097
200362C	18635	Looper Driving Crank Set Screw, for 268277
200362C	18677	Looper Thread Take-up Lever Hinge Stud Set Screw
200362C	18635	Looper Throw-out Gear Set Screw, for 268126
200362C	18679	Puller Feed Clutch Retaining Flange Set Screw, for 268443
200362C	18680	Puller Feed Roll (upper) Bar Position Bracket Set Screw, for 268434
200362C	18680	Puller Feed Roll (upper) Bar Position Bracket Stud Set Screw, for 268434
200364C	18635	Looper Throw-out Gear Locking Plunger Stop Screw Set Screw
200364C	18670	Needle Bar Rock Frame Regulating Stud Cap Set Screw, for 264709
200364C	18677	Spreader Driving Eccentric Counter Balance Set Screw, for 268046
200364C	18677	Spreader Driving Eccentric Set Screw, for 268045
200373C	18603	Feed Lifting Link Hinge Pin Set Screw, for 268034 and 268075
200373C	18605	Spreader Driving Crank Position Screw, for 268187
200378C	18677	Looper Thread Take-up Driving Eccentric Set Screw, for 268113
200378C	18670	Needle Bar Crank Position Screw Check Screw, for 268142
200378C	18679	Puller Feed Roll (lower) Shaft Collar Set Screw, for 268424
200379C	18670	Needle Bar Crank Oil Hole Plug Screw, for 268142
200380C	18603	Feed Bar Hinge Pin Collar Set Screw, for 202574
200380C	18617	Presser Bar Stop Collar Set Screw, for 203759
200380C	18605	Spreader Holder Set Screw, for 268185
200382C	18677	Feed Driving Eccentric Adjusting Disc Spring Collar Set Screw, for 268067
200382C	18670	Needle Bar Rock Frame Driving Eccentric Adjusting Disc Spring Collar Set Screw, for 268067
200382C	18677	Puller Feed Driving Eccentric Adjusting Disc Spring Collar Set Screw, for 268067

No.	Plate	Name
200382C	18680	Puller Feed Roll (upper) Bracket Set Screw, for 268437
200386C	18603	Feed Driving Rock Shaft Collar Set Screw, for 268072
200386C	18603	Feed Lifting Rock Shaft Collar Set Screw, for 268072
200386C	18677	Looper Thread Take-up Lever Hinge Stud Collar Set Screw, for 268072
200386C	18603	Looper Throw-out Safety Latch Collar Set Screw, for 268199
200386C	18679	Puller Feed Clutch Retaining Flange Holding Screw
200386C	18679	Puller Feed Clutch Retaining Flange Holding Screw Check Screw
200386C	18605	Spreader Driving Rock Shaft Collar Set Screw, for 268072
200393C	18677	Puller Feed Driving Lever Hinge Stud Collar Set Screw, for 203244
200394C	18635	Feed Lifting Eccentric Set Screw, for 268047
200394C	18673	Looper Thread Take-up Thread Guide Support Stud Set Screw
200394C	18670	Needle Thread Nipper Eccentric Set Screw, for 268225
200397H	18677	Puller Feed Driving Link Hinge Pin Set Screw, for 268410
200403C	18603	Feed Bar Set Screw, for 268034
200403C	18605	Spreader Driving Crank Set Screw, for 268187
200444C	18635	Looper Throw-out Gear Locking Plunger Stop Screw
200541E	18678	Needle Thread Tension Releasing Plate Screw
200564E	18673	Looper Thread Tension Bracket Screw
200570E	18678	Bed Hinge Connection Screw
200571XC	18678	Face Plate Lock Spring Screw
200571D	18679	Puller Feed Cover Plate Screw
200572F	18617	Presser Bar Guide Bracket Adjusting Screw, for 268174
200573D	18635	Looper Driving Crank Oil Stop Screw, for 268277
200578XC	18673	Looper Thread Guide (top of Arm) Bracket Screw
200581H	18663	Presser Foot Shank Guide Plate Screw, for 269240
200583C	18616	Needle Bar Rock Frame Thread Guide Screw
200583H	18663	Presser Foot Bracket Cover Plate Screw, for 269237
200934F	18678	Foot Lifter Lifting Link Hinge Screw
201018C	18627	Thread Unwinder Spool Rest Set Screw, for 225257
201020E	18605	Spreader Driving Connection Cap Screw, for 268186

No.	Plate	Name
201052C	18677	Looper Thread Take-up Rod Set Screw, for 268115
201052C	18673	Needle Thread Tension Releaser Cap Set Screw, for 268169
201129H	18628	Thread Unwinder Spool Rest Support Set Screw, for 228651, 228654 and 228656
201129H	18627	Thread Unwinder Thread Tube Support Set Screw, for 228658
201160E	18678	Foot Lifter Lever Spring Screw Eye
201188C	18617	Needle Thread Guide (on Needle Bar Connecting Stud) Set Screw, for 268141
201216C	18617	Presser Bar Guide Bracket Pinch Screw, for 268174
201220C	18677	Looper Thread Take-up Driving Eccentric Position Screw, for 268113
201254C	18670	Arm Shaft Connection Belt Pulley Set Screw, for 268006
201254C	18677	Bed Shaft Connection Belt Pulley Set Screw, for 268028
201256C	18603	Feed Lifting Crank Pinch Screw, for 268075
201276D	18617	Presser Bar Lifter Hinge Screw
201308E	18680	Puller Feed Roll (upper) Bar Bracket Screw
201363C	18678	Foot Lifter Lever Hinge Screw
201403H	18670	Needle Thread Nipper Eccentric Flange Screw
201416C	18678	Face Plate Hinge Pin Set Screw, for 268030
201418C	18603	Feed Driving Rock Shaft Crank Position Screw, for 268078
201418C	18603	Feed Lifting Rock Shaft Crank Position Screw, for 268198
201477C	18635	Looper Throw-out Gear Locking Plunger Screw Bushing
201485C	18678	Presser Bar Spring Adjusting Screw Set Screw
201522E	18603	Feed Driving Connection Hinge Stud Nut
201522E	18603	Feed Lifting Connection Hinge Stud Nut
201522E	18617	Needle Bar Rock Frame Driving Connection Hinge Stud Nut
201524E	18635	Looper Carrier Crank Clamping Stud Nut
201525E	18603	Feed Dog Shank Screw Lock Nut
201528H	18627	Thread Unwinder Spool Pin Nut, for 225257
201537H	18603	Feed Dog Shank Adjusting Screw Lock Nut, for 268316
201537H	18673	Needle Thread Nipper Spring Plunger Nut

No.	Plate	Name
201553D	18635	Looper Throw-out Rack Rod Thumb Nut, for 268314
201620D	18635	Looper Throw-out Gear Locking Plunger Thumb Nut
201733XC	18673	Needle Thread Nipper Adjusting Collar with 350101AL
201736E	18605	Spreader Driving Rock Shaft Screw Stud Nut
201892	18680	Puller Feed Roll (upper) Bar Lifter Roller
202005	18678	Arm Screw Washer
202090	18660	Presser Foot Hinge Pin, for 267880
202120	18678	Foot Lifter Lifting Link Stop Pin, for 268002
202253	18670	Arm Shaft Connection Belt Pulley Spring Flange, for 268006
202423	18617	Needle Bar Connecting Stud Oil Packing (wick) for 268141
202511	18611	Wrench
202574	18603	Feed Bar Hinge Pin Collar with 200380C
202784	18614	Foot Lifter Treadle Chain Hook, for 228474
203244	18677	Puller Feed Driving Lever Hinge Stud Collar with two 200393C
203349	18678	Needle Thread Tension Releasing Plate Screw Washer
203759	18617	Presser Bar Stop Collar with 200380C
204235	18678	Arm Head Position Pin, for 268001
204348	18678	Foot Lifter Lever Spring
204365	18673	Needle Thread Tension Releaser Spring
204648	18677	Puller Feed Regulating Latch Hinge Pin, for 268419
204925	18635	Looper Driving Crank Oil Hole Cover Screw Washer
204925	18605	Spreader Screw Washer
206335	18659	Presser Foot Hinge Pin, for 267872, 267882, 268613 and 268617
206335	18663	Presser Foot Plate Hinge Pin, for 269240
208127	18677	Puller Feed Regulating Stud Pin, for 268419
208636	18603	Feed Dog Shank Screw Washer
208636	18616	Looper Holder Screw Washer
210805	18612	Drip Pan Screw Washer
213910	18663	Presser Foot Plate Hinge Pin, for 269237
214529	18670	Needle Bar Rock Frame Regulating Stud Spring, for 268150
222119	18617	Presser Bar Lifter Stop Pin
222613	18673	Needle Thread Nipper Spring

No.	Plate	Name
225257	18627	Thread Unwinder Spool Rest (for two spools) (flat) with 201018C, two each 201528H, 228692 and 228693, for 228650, 228653, 228655 and 228657
225498	18611	Screw Driver (7-1/4 in. long)
225887	18605	Spreader Bar Bearing Position Pin, for 268401
226080	18659	Presser Foot Plate Spring, for 267872, 267874, 267876, 267878, 267880, 267882, 267884, 268613, 268617, 268921, 268923, 269231 and 269240
226206	18673	Needle Thread Tension Releasing Pin
228320	18645	Machine Cushion (felt)
228443 228443	18612	Drip Pan 2 2 8 7 3 1
228444	18645	Machine Cushion (neoprene)
228448	18645	" Locating Stud
228449	18645	" Support (left) with two wood screws 1-1/4 in., No. 12, F. H. B.
228450	18645	Machine Support (right) with two wood screws 1-1/4 in., No. 12, F. H. B.
228451	18611	Tweezers
228452	18612	Machine Base Oil Drain Jar complete, Nos. 131217, 131266, 131961, 131962 and two 1247C
228460	-----	Machine Support (left) with two wood screws 1-1/4 in., No. 12, F. H. B. (in place of 228449) for Semi-Submerged Installation
228461	-----	Machine Support (right) with two wood screws 1-1/4 in., No. 12, F. H. B. (in place of 228450) for Semi-Submerged Installation
228474	18614	Foot Lifter Treadle Chain, 34 in. long, with two 202784
228476	18611	Screw Driver
228491	18611	Pressure Oiler Nos. 228647 to 228649, for 228650, 228653, 228655 and 228657
228647	18627	Thread Unwinder Base with two 200341C
228648	18627	Thread Unwinder Spool Rest Rod
228649	18627	" " Thread Tube with two 268125
228650	18627	Thread Unwinder complete, for two spools, Nos. 225257, 228647, 228648, 228658, two each 150203, 228649 and three wood screws 1-1/4 in., No. 14, F. H. B., for Machine No. 300w102
228651	18628	Thread Unwinder Spool Rest Support with 201129H, two 228652 and eight 350101AL, for 228653

No.	Plate	Name
228652	18628	Thread Unwinder Spool Rest Stud, for 228651, 228654 and 228656
228653	18628	Thread Unwinder complete, for four spools, Nos. 228647, 228648, 228651, two 225257, four each 150203, 228649 and three wood screws 1-1/4 in., No. 14, F. H. B., for Machine No. 300w202
228654	18629	Thread Unwinder Spool Rest Support with 201129H, two 228652 and twelve 350101AL, for 228655
228655	18629	Thread Unwinder complete, for six spools, Nos. 228647, 228648, 228654, three 225257, six each 150203, 228649 and three wood screws 1-1/4 in., No. 14, F. H. B., for Machine No. 300w302
228656	18630	Thread Unwinder Spool Rest Support with 201129H, four 228652 and sixteen 350101AL, for 228657
228657	18630	Thread Unwinder complete, for eight spools, Nos. 228647, 228648, 228656, four 225257, eight each 150203, 228649 and three wood screws 1-1/4 in., No. 14, F. H. B., for Machine No. 300w402
228658	18627	Thread Unwinder Thread Tube Support with 201129H and four 350101AL, for 228650
228692	18627	Thread Unwinder Spool Pin, for 225257
228693	18627	Thread Unwinder Spool Pin Washer, for 225257
230795	18660	Presser Foot Hinge Pin, for 267874, 267876, 267878, 267884, 268921, 268923 and 269231
232077	18680	Puller Feed Roll (upper) Bar Bracket Position Pin
232866	18679	Bed Hinge Connection Bracket Pin
232866	18679	Puller Feed Roll (lower) Shaft Bracket Position Pin
238089	18678	Needle Thread Tension Releasing Plate Pin, for 268085
240245	18677	Feed Regulating Stud Retaining Spring
241763	18677	" Driving Eccentric Friction Plate Screw Set Screw Packing (brass) for 268315
241763	18670	Needle Bar Rock Frame Driving Eccentric Friction Plate Screw Set Screw Packing (brass) for 268315
241763	18677	Puller Feed Driving Eccentric Friction Plate Screw Set Screw Packing (brass) for 268315

No.	Plate	Name
249820	18611	Wrench
250265	18635	Looper Throw-out Gear Locking Plunger Spring
255540	18611	Wrench (steel)
255542	18611	Screw Driver (8 in. blade)
264709	18670	Needle Bar Rock Frame Regulating Stud Cap with 200364C, for 268150
265307	18678	Bed Hinge Connection
267623	18677	Feed Driving Eccentric Friction Plate, for 268315
267623	18670	Needle Bar Rock Frame Driving Eccentric Friction Plate, for 268315
267623	18677	Puller Feed Driving Eccentric Friction Plate, for 268315
267800	18660	Feed Dog, 46 needle hole, for needle sizes 20 and 22, in gauges 3/16 and 7/32 in. (teeth cut 15 to the inch) with two 268317 and four 200172D, for 267850
267802	18660	Feed Dog, 46 needle hole, for needle sizes 20 and 22, in gauges 1/4, 9/32 and 5/16 in. (teeth cut 15 to the inch) with two 268318 and four 200172D, for 267851
267804	18660	Feed Dog, 46 needle hole, for needle sizes 20 and 22, in gauges 11/32, 3/8 and 13/32 in. (teeth cut 15 to the inch) with two 268318 and four 200172D, for 267853
267812	18660	Feed Dog, 46 needle hole, for needle sizes 20 and 22, in gauges 7/16, 15/32 and 1/2 in. (teeth cut 15 to the inch) with two 268318 and four 200172D, for 267855
267815	18660	Feed Dog, 40 needle hole, for needle sizes 23 and 24, in gauges 11/32, 3/8 and 13/32 in. (teeth cut 15 to the inch) with two 268318 and four 200172D, for 267853
267817	18660	Feed Dog, 46 needle hole, for needle sizes 20 and 22, in gauges 17/32, 9/16, 19/32, 5/8 and 21/32 in. (teeth cut 15 to the inch) with two 268318 and four 200172D, for 267857
267819	18660	Feed Dog, 40 needle hole, for needle sizes 23 and 24, in gauges 11/32, 3/8 and 13/32 in. (teeth cut 8 to the inch) with two 268318 and four 200172D, for 267853
267821	18660	Feed Dog, 46 needle hole, for needle sizes 20 and 22, in gauges from 11/16 to 31/32 in., in steps of 1/32 in. (teeth cut 15 to the inch) with two 268318 and four 200172D, for 267858

NUMERICAL LIST OF PARTS

No.	Plate	Name
267825	18660	Feed Dog, 46 needle hole, for needle sizes 20 and 22, in gauges from 1 to 1-1/4 in., in steps of 1/32 in. (teeth cut 15 to the inch) with two 268318 and four 200172D, for 267859
267826	18660	Feed Dog, 40 needle hole, for needle sizes 23 and 24, in gauges 7/16, 15/32 and 1/2 in. (teeth cut 15 to the inch) with two 268318 and four 200172D, for 267855
267829	18660	Feed Dog, 46 needle hole, for needle sizes 20 and 22, in gauges from 1-9/32 to 1-1/2 in., in steps of 1/32 in. (teeth cut 15 to the inch) with two 268318 and four 200172D, for 267860
267830	18660	Feed Dog, 46 needle hole, for needle sizes 20 and 22, in gauges from 1-17/32 to 1-11/16 in., in steps of 1/32 in. (teeth cut 15 to the inch) with two 268318 and four 200172D, for 267862
267831	18660	Feed Dog, 40 needle hole, for needle sizes 23 and 24, in gauges 7/16, 15/32 and 1/2 in. (teeth cut 8 to the inch) with two 268318 and four 200172D, for 267855
267833	18660	Feed Dog, 46 needle hole, for needle sizes 20 and 22, in gauges from 1-23/32 to 1-29/32 in., in steps of 1/32 in. (teeth cut 15 to the inch) with two 268318 and four 200172D, for 267861
267834	18660	Feed Dog, 40 needle hole, for needle sizes 23 and 24, in gauges 17/32, 9/16, 19/32, 5/8 and 21/32 in. (teeth cut 8 to the inch) with two 268318 and four 200172D, for 267857
267835	18660	Feed Dog, 40 needle hole, for needle sizes 23 and 24, in gauges from 11/16 to 31/32 in., in steps of 1/32 in. (teeth cut 15 to the inch) with two 268318 and four 200172D, for 267858
267837	18660	Feed Dog, 40 needle hole, for needle sizes 23 and 24, in gauges from 11/16 to 31/32 in., in steps of 1/32 in. (teeth cut 8 to the inch) with two 268318 and four 200172D, for 267858
267838	18660	Feed Dog, 40 needle hole, for needle sizes 23 and 24, in gauges from 1 to 1-1/4 in., in steps of 1/32 in. (teeth cut 8 to the inch) with two 268318 and four 200172D, for 267859

NUMERICAL LIST OF PARTS

No.	Plate	Name
267839	18660	Feed Dog, 46 needle hole, for needle sizes 20 and 22, in gauges 1-15/16 and 2 in. (teeth cut 15 to the inch) with two 268318 and four 200172D, for 267863
267850	18660	Throat Plate, for 267800, in gauges 3/16 and 7/32 in., for Machine No. 300w202
267851	18660	Throat Plate, for 267802, in gauges 1/4, 9/32 and 5/16 in., for Machine No. 300w202
267853	18660	Throat Plate, for 267804, 267815 and 267819, in gauges 11/32, 3/8 and 13/32 in., for Machine No. 300w202
267855	18660	Throat Plate, for 267812, 267826 and 267831, in gauges 7/16, 15/32 and 1/2 in., for Machine No. 300w202 Nos. 267857 to 267863, for Machine No. 300w202
267857	18660	Throat Plate, for 267817 and 267834, in gauges 17/32, 9/16, 19/32, 5/8 and 21/32 inch
267858	18660	Throat Plate, for 267821, 267835 and 267837, in gauges from 11/16 to 31/32 in., in steps of 1/32 inch
267859	18660	Throat Plate, for 267825 and 267838, in gauges from 1 to 1-1/4 in., in steps of 1/32 inch
267860	18660	Throat Plate, for 267829, in gauges from 1-9/32 to 1-1/2 in., in steps of 1/32 inch
267861	18660	Throat Plate, for 267833, in gauges from 1-23/32 to 1-29/32 in., in steps of 1/32 inch
267862	18660	Throat Plate, for 267830, in gauges from 1-17/32 to 1-11/16 in., in steps of 1/32 inch
267863	18660	Throat Plate, for 267839, in gauges 1-15/16 and 2 inches Nos. 267871 to 267884, for Machine No. 300w202
267871	18660	Presser Foot Plate, for 267872
267872	18660	Presser Foot (spring hinged) complete, 46 needle hole, in gauges from 1/4 to 3/4 in., in steps of 1/32 in., Nos. 206335, 226080, 267871, 268275 and 268612
267873	18660	Presser Foot Plate, for 267874
267874	18660	Presser Foot (spring hinged) complete, 46 needle hole, in gauges from 25/32 to 1-1/4 in., in steps of 1/32 in., Nos. 226080, 230795, 267873, 268275 and 268612

No.	Plate	Name
267875	18660	Presser Foot Plate, for 267876
267876	18660	Presser Foot (spring hinged) complete, 46 needle hole, in gauges from 1-9/32 to 1-3/4 in., in steps of 1/32 in., Nos. 226080, 230795, 267875, 268275 and 268612
267877	18660	Presser Foot Plate, for 267878
267878	18660	Presser Foot (spring hinged) complete, 46 needle hole, in gauges from 1-25/32 to 2 in., in steps of 1/32 in., Nos. 226080, 230795, 267877, 268275 and 268612
267879	18660	Presser Foot Plate, for 267880
267880	18660	Presser Foot (spring hinged) complete, 46 needle hole, in gauges 3/16 and 7/32 in., Nos. 202090, 226080, 267879, 268275 and 268612
267881	18660	Presser Foot Plate, for 267882
267882	18660	Presser Foot (spring hinged) complete, 40 needle hole, in gauges from 1/4 to 3/4 in., in steps of 1/32 in., Nos. 206335, 226080, 267881, 268275 and 268612
267883	18660	Presser Foot Plate, for 267884
267884	18660	Presser Foot (spring hinged) complete, 40 needle hole, in gauges from 25/32 to 1-1/4 in., in steps of 1/32 in., Nos. 226080, 230795, 267883, 268275 and 268612
*268001	-----	Arm with 204235, 268002 and three 200029E
*268002	-----	Arm Head with 202120, for 268001
268003	18670	" Shaft with 268009, 268044, 268264, two each 268214 and 350534C
268004	18670	Arm Shaft Ball Bearing (back) Housing
268005	18670	" " " " (front) for 268143
268006	18670	Arm Shaft Connection Belt Pulley with two each 201254C and 202253
268007	18670	Arm Shaft Counter Balance with 200354C and 200362C
268007	18677	Bed Shaft Counter Balance with 200354C and 200362C
268008	18670	Arm Shaft Oil Slinger with 350171C
268009	18670	" " " Stop Ball Spring (front) for 268003
268010	18678	Arm Side Cover
268017	18678	Bed Plate Slide with two 268022 and four 200138D, for gauges from 3/16 to 1-1/2 inch
268021	18678	Bed Plate Slide with two 268022 and four 200138D, for gauges from 1-17/32 to 2 in., for Machines Nos. 300w202, 300w302 and 300w402

No.	Plate	Name
268022	18678	Bed Plate Slide Spring, for 268017 and 268021
268024	18670	Arm Shaft Ball Bearing (back) for 268049
268024	18677	Bed Shaft Ball Bearing, for 268261
268028	18677	" " Connection Belt Pulley with two 201254C, for 268261
268029	18677	Bed Shaft Needle Bearing
268029	18617	Needle Bar Rock Frame Needle Bearing
268030	18678	Face Plate with 268033 and two 201416C
268031	18678	Face Plate Hinge Pin
268032	18678	" " Lock Spring
268033	18678	" " " Stud, for 268030
268034	18603	Feed Bar with 200373C and two 200403C
268035	18603	Feed Bar Hinge Pin
268044	18670	Arm Shaft Oil Stop Ball Spring (rear) for 268003
268044	18677	Bed Shaft Oil Stop Ball Spring, for 268441
268045	18677	Spreader Driving Eccentric with two 200364C
268046	18677	Spreader Driving Eccentric Counter Balance with two 200364C
268047	18635	Feed Lifting Eccentric with 268077 and two 200394C
268048	18670	Balance Wheel "V" belt groove (outside diam. of belt groove 2.9 in.) with 200327C and 200328C, for 268049
268049	18670	Balance Wheel 268048 with 268024
268060	18603	Feed Driving Connection, for 268061
268060	18670	Needle Bar Rock Frame Driving Connection, for 268061
268060	18677	Puller Feed Driving Connection, for 268061
268061	18603	Feed Driving Connection 268060 with 268063
268061	18670	Needle Bar Rock Frame Driving Connection 268060 with 268063
268061	18677	Puller Feed Driving Connection 268060 with 268063
268062	18603	Feed Driving Connection Hinge Stud with 268258
268062	18603	Feed Lifting Connection Hinge Stud with 268258
268062	18617	Needle Bar Rock Frame Driving Connection Hinge Stud with 268258
268063	18603	Feed Driving Connection Needle Bearing, for 268061
268063	18670	Needle Bar Rock Frame Driving Connection Needle Bearing, for 268061

NUMERICAL LIST OF PARTS

No.	Plate	Name
268063	18677	Puller Feed Driving Connection Needle Bearing, for 268061
268063	18605	Spreader Driving Connection Needle Bearing, for 268233
268064	18677	Feed Driving Eccentric
268064	18670	Needle Bar Rock Frame Driving Eccentric
268064	18677	Puller Feed Driving Eccentric
268065	18677	Feed Driving Eccentric Adjusting Disc
268065	18670	Needle Bar Rock Frame Driving Eccentric Adjusting Disc
268065	18677	Puller Feed Driving Eccentric Adjusting Disc
268066	18677	Feed Driving Eccentric Adjusting Disc Spring
268066	18670	Needle Bar Rock Frame Driving Eccentric Adjusting Disc Spring
268066	18677	Puller Feed Driving Eccentric Adjusting Disc Spring
268067	18677	Feed Driving Eccentric Adjusting Disc Spring Collar with two 200382C
268067	18670	Needle Bar Rock Frame Driving Eccentric Adjusting Disc Spring Collar with two 200382C
268067	18677	Puller Feed Driving Eccentric Adjusting Disc Spring Collar with two 200382C
268069	18603	Feed Driving Rock Frame with 200354C and 200362C
268070	18603	Feed Driving Rock Shaft
268071	18603	" " " " Needle Bearing
268071	18603	Feed Lifting Rock Shaft Needle Bearing
268071	18605	Spreader Driving Rock Shaft Needle Bearing
268072	18603	Feed Driving Rock Shaft Collar with two 200386C
268072	18603	Feed Lifting Rock Shaft Collar with two 200386C
268072	18677	Looper Thread Take-up Lever Hinge Stud Collar with two 200386C
268072	18605	Spreader Driving Rock Shaft Collar with two 200386C
268073	18603	Feed Driving Rock Shaft Crank with 201418C and two 200061C
268074	18603	Feed Lifting Connection
268075	18603	" " Crank with 200373C and 201256C
268077	18635	Feed Lifting Eccentric Lubricating Pad (wood) for 268047
268078	18603	Feed Lifting Link

NUMERICAL LIST OF PARTS

No.	Plate	Name
268079	18603	Feed Lifting Link Hinge Pin with 268258
268079	18677	Looper Thread Take-up Driving Connection Hinge Stud with 268258
268080	18603	Feed Lifting Rock Shaft
268081	18677	" Regulating Stud
268082	18677	" " " Socket
268083	18678	Foot Lifter Bell Crank
268085	18678	" " Lever with 238089
268086	18678	" " " Rod
268087	18678	" " Lifting Link
268088	18616	Looper
268090	18635	" Carrier, for 268205
*268093	18635	" " Shaft, for 268094
268094	18635	" " " 268093 with 268095 and 268097
*268095	18635	Looper Carrier Shaft Bushing (left) (eccentric) with 200354C and 200362C, for 268094
268096	18635	Looper Carrier Shaft Bushing (left) Position Plate
*268097	18635	Looper Carrier Shaft Bushing (right) (eccentric) with 200354C and 200362C, for 268094
268098	18635	Looper Driving Connection, for 268216
268099	18635	" Carrier Needle Bearing, for 268205
268099	18635	Looper Driving Connection Needle Bearing, for 268216
268102	18635	Looper Driving Crank Oil Hole Cover Nos. 268103 to 268107, for Machine No. 300w202
268103	18610	Looper Holder, in gauges from 3/16 to 11/32 in., in steps of 1/32 in., with four 350478C
268104	18610	Looper Holder, in gauges from 3/8 to 5/8 in., in steps of 1/32 in., with four 350478C
268105	18610	Looper Holder, in gauges from 21/32 to 7/8 in., in steps of 1/32 in., with four 350478C
268106	18610	Looper Holder, in gauges from 29/32 to 1-1/8 in., in steps of 1/32 in., with four 350478C
268107	18610	Looper Holder, in gauges from 1-5/32 to 1-1/2 in., in steps of 1/32 in., with four 350478C
268111	18673	Looper Thread Guide (top of Arm) Bracket, for 268218 and 268506
268113	18677	Looper Thread Take-up Driving Eccentric with 200378C and 201220C
268114	18677	Looper Thread Take-up Driving Connection

NUMERICAL LIST OF PARTS

No.	Plate	Name
268115	18677	Looper Thread Take-up Lever with 200098F and two 201052C
268116	18677	Looper Thread Take-up Lever Hinge Stud
268117	18677	Looper Thread Take-up Rod
268119	18673	" " " Thread Guide Support Stud
268120	18673	Looper Thread Tension Bracket
268121	18673	" " " " Spacing Collar
268121	18673	Needle Thread Tension Bracket Spacing Collar
268122	18673	Looper Thread Tension Thread Guide
268123	18673	" " Tube with two 268125
268124	18673	" " " Clamp
268125	18673	" " " Thread Bushing, for 268123
268125	18627	Thread Unwinder Thread Tube Bushing, for 228649
268126	18635	Looper Throw-out Gear with two 200362C
268127	18635	Looper Throw-out Gear Locking Plunger
268129	18635	Looper Throw-out Rack Rod, for 268314
268131	18603	Looper Throw-out Safety Latch
268132	18603	" " " " Spring
268133	18603	" " " " " Bracket
268136	18620	Needle Bar, for Machines Nos. 300w202, 300w302 and 300w402
268137	18617	Needle Bar Connecting Link, for 268138
268138	18617	Needle Bar Connecting Link 268137 with 200379C and two 270266
268139	18617	Needle Bar Connecting Link Cap Washer
268141	18617	Needle Bar Connecting Stud with 201188C, 202423 and two 200069C
268142	18670	Needle Bar Crank with 200346C, 200354C, 200378C and 200379C, for 268143
268143	18670	Needle Bar Crank 268142 with 268005
268144	18617	" " Oiling Felt
268148	18670	" " Rock Frame Regulating Stud, for 268150
268149	18670	Needle Bar Rock Frame Regulating Stud Sleeve, for 268150
268150	18670	Needle Bar Rock Frame Regulating Stud complete, Nos. 214529, 264709, 268148 and 268149
268151	18610	Needle Holder, in gauges from 3/16 to 11/32 in., in steps of 1/32 in., with two 50014C, for Machine No. 300w202

NUMERICAL LIST OF PARTS

No.	Plate	Name
268152	18610	Needle Holder, in gauges from 3/8 to 5/8 in., in steps of 1/32 in., with two 50014C, for Machine No. 300w202
268154	18610	Needle Holder, in gauges from 21/32 to 7/8 in., in steps of 1/32 in., with two 50014C, for Machine No. 300w202
		Nos. 268156 to 268158, for Machine No. 300w202
268156	18610	Needle Holder, in gauges from 29/32 to 1-1/8 in., in steps of 1/32 in., with two 50014C
268157	18610	Needle Holder, in gauges from 1-5/32 to 1-1/2 in., in steps of 1/32 in., with two 50014C
268158	18610	Needle Holder, in gauges from 1-17/32 to 2 in., in steps of 1/32 in., with two 50014C
268161	18617	Needle Bar Rock Frame Driving Arm with two 200058C
268162	18616	Spreader Point, for 268177 to 268180, 268207, 268284, 268606, 268956 and 269340
268167	18673	Needle Thread Tension Bracket, for Machines Nos. 300w102 and 300w202
268168	18673	Needle Thread Tension Releaser, for Machines Nos. 300w102 and 300w202
268169	18673	Needle Thread Tension Releaser Cap with 201052C
268171	18678	Needle Thread Tension Releasing Plate (adjustable)
268172	18617	Presser Bar
268173	18617	" " Bushing
268174	18617	" " Guide Bracket with 200572F, 201216C and 351875
268175	18617	Presser Bar Lifter
268176	18678	" " Spring
		Nos. 268177 to 268180, for Machine No. 300w202
268177	18610	Spreader, in gauges from 3/16 to 11/32 in., in steps of 1/32 in., with two 268162
268178	18610	Spreader, in gauges from 3/8 to 5/8 in., in steps of 1/32 in., with two 268162
268179	18610	Spreader, in gauges from 21/32 to 7/8 in., in steps of 1/32 in., with two 268162
268180	18610	Spreader, in gauges from 29/32 to 1-1/8 in., in steps of 1/32 in., with two 268162
268181	18605	Spreader Bar

NUMERICAL LIST OF PARTS

No.	Plate	Name
268184	18605	Spreader Bar Bearing, for 268401
268185	18605	" Holder with two 200380C
268186	18605	" Driving Connection with two 201020E, for 268233
268187	18605	Spreader Driving Crank with 200373C and 200403C
268190	18605	Spreader Driving Pin
268191	18605	" " Rock Shaft
268197	18678	Face Plate Lock Spring Plate
268198	18603	Feed Lifting Rock Shaft Crank with 201418C and two 200061C
268199	18603	Looper Throw-out Safety Latch Collar with two 200386C
268205	18635	Looper Carrier 268090 with two 268099
268207	18610	Spreader, in gauges from 1-5/32 to 1-1/2 in., in steps of 1/32 in., with two 268162, for Machine No. 300w202
268208	18635	Looper Carrier Crank Hinge Pin with 268258
268214	18670	Arm Shaft Oil Stop Ball, 5/32 in. diam., for 268003
268214	18677	Bed Shaft Oil Stop Ball, 5/32 in. diam., for 268441
268216	18635	Looper Driving Connection 268098 with 268099
268218	18673	Looper Thread Guide (top of Arm) Bracket 268111 with two 139158 and four 50169J, for Machines Nos. 300w102 and 300w202
268219	18616	Needle Bar Rock Frame Thread Guide, in gauges from 3/16 to 11/32 in., in steps of 1/32 in., for Machines Nos. 300w102 and 300w202
268220	18677	Spreader Driving Eccentric Thrust Washer
268221	18673	Needle Thread Nipper Bearing
268222	18673	" " " " Plate
268223	18673	" " " Disc
268224	18673	" " " Washer (vellumoid)
268225	18670	Needle Thread Nipper Eccentric with two 200394C
268226	18670	Needle Thread Nipper Eccentric Con- nection, for 268228
268227	18670	Needle Thread Nipper Eccentric Con- nection Needle Bearing, for 268228
268228	18670	Needle Thread Nipper Eccentric Con- nection 268226 with 268227
268229	18673	Needle Thread Nipper Plunger with 350496C
268230	18673	Needle Thread Nipper Plunger Cap

NUMERICAL LIST OF PARTS

No.	Plate	Name
268231	18673	Needle Thread Nipper Plunger Hinge Pin
268232	18673	Needle Thread Nipper Spring Plunger
268233	18605	Spreader Driving Connection 268186 with 268063 and 351876 Nos. 268254 to 268256, for Machine No. 300w202
268254	18610	Needle Bar Rock Frame Thread Guide, in gauges from 3/8 to 5/8 in., in steps of 1/32 inch
268255	18610	Needle Bar Rock Frame Thread Guide, in gauges from 21/32 to 7/8 in., in steps of 1/32 inch
268256	18610	Needle Bar Rock Frame Thread Guide, in gauges from 29/32 to 1-1/8 in., in steps of 1/32 inch
268258	18603	Feed Driving Connection Hinge Stud Oil Packing (wick) for 268062
268258	18603	Feed Lifting Connection Hinge Stud Oil Packing (wick) for 268062
268258	18603	Feed Lifting Link Hinge Pin Oil Pack- ing (wick) for 268079
268258	18635	Looper Carrier Crank Hinge Pin Oil Packing (wick) for 268208
268258	18677	Looper Thread Take-up Driving Con- nection Hinge Stud Oil Packing (wick) for 268079
268259	18670	Needle Thread Nipper Eccentric Flange
268261	18677	Bed Shaft Connection Belt Pulley 268028 with 268024
268263	18673	Needle Thread Tension complete, Nos. 32572, 59537 to 59539, 131741 and two 2102
268264	18670	Arm Shaft Oil Control Rod (wood) for 268003
268265	18677	Bed Shaft Oil Control Rod (wood) for 268441
268268	18610	Needle Bar Rock Frame Thread Guide, in gauges from 1-5/32 to 1-1/2 in., in steps of 1/32 in., for Machine No. 300w202
268270	18670	Arm Shaft Connection Belt (reinforced neoprene)
268275	18659	Presser Foot Shank with 1454F, for 267872, 267874, 267876, 267878, 267880, 267882, 267884, 268613, 268617, 268921, 268923 and 269231
268276	18611	Looper Threading Wire
268277	18635	" Driving Crank with 200362C, 200573D and two 200344C
268278	18617	Needle Bar Oiling Felt Holder
268279	18617	" " Rock Frame
268280	18611	Looper and Needle Bar Setting Gauge

NUMERICAL LIST OF PARTS

No.	Plate	Name
268282	18610	Looper Holder, in gauges from 1-17/32 to 2 in., in steps of 1/32 in., with four 350478C, for Machine No. 300w202
268284	18610	Spreader, in gauges from 1-17/32 to 2 in., in steps of 1/32 in., with two 268162, for Machine No. 300w202 Nos. 268296 to 268301, for Machine No. 300w202
268296	18616	Looper Thread Guide (on Bed at Looper) for gauges from 3/16 to 15/32 in., also for Machine No. 300w102
268297	18610	Looper Thread Guide (on Bed at Looper) for gauges from 1/2 to 25/32 inch
268298	18610	Looper Thread Guide (on Bed at Looper) for gauges from 13/16 to 1-3/32 inch
268299	18610	Looper Thread Guide (on Bed at Looper) for gauges from 1-1/8 to 1-13/32 inch
268300	18610	Looper Thread Guide (on Bed at Looper) for gauges from 1-7/16 to 1-23/32 inch
268301	18610	Looper Thread Guide (on Bed at Looper) for gauges from 1-3/4 to 2 inches
268304	18610	Needle Bar Rock Frame Thread Guide, in gauges from 1-17/32 to 2 in., in steps of 1/32 in., for Machine No. 300w202
268306	18678	Presser Bar Spring Cushion Spring
268307	18635	Looper Carrier Crank with 200089C
268308	18635	" " " Clamping Stud
268312	18673	Needle Thread Guide (on Arm Head)
268313	18635	Looper Throw-out Gear Locking Plunger Handle
268314	18635	Looper Throw-out Rack Rod 268129 with 201553D
268315	18677	Feed Driving Flange with 267623, two each 241763, 350467AL, 350477C and 350548C
268315	18670	Needle Bar Rock Frame Driving Flange with 267623, two each 241763, 350467AL, 350477C and 350548C
268315	18677	Puller Feed Driving Flange with 267623, two each 241763, 350467AL, 350477C and 350548C
268316	18603	Feed Dog Shank with 201537H and 350552C

NUMERICAL LIST OF PARTS

No.	Plate	Name
268317	18660	Loop Deflector, for 267800, 268807 to 266810, 269002 and 269003
268318	18659	Loop Deflector, for 267802, 267804, 267812, 267815, 267817, 267819, 267821, 267825, 267826, 267829 to 267831, 267833 to 267835, 267837 to 267839, 268618, 268619, 268811 to 268814, 269006 and 269007
*268401	-----	Bed with 268184, two each 200035E and 225887
268402	18678	Bed Plate (left) for gauges from 3/16 to 1-1/2 inch
268403	18678	Bed Plate (right)
268407	18679	Puller Feed Cover Plate (left)
268408	18679	" " " " (right)
268409	18677	" " Driving Connection Hinge Pin
268409	18677	Puller Feed Driving Link Hinge Pin
268410	18677	" " " Lever with two each 200355H and 200397H
268411	18677	Puller Feed Driving Lever Hinge Stud
268412	18677	" " " Link
268414	18677	" " Regulating Latch, for 268419
268416	18677	Puller Feed Regulating Stud, for 268419
268418	18677	Puller Feed Regulating Stud Socket, for 268419
268419	18677	Puller Feed Regulating Stud Socket 268418 with 204648, 208127, 268414, 268416 and 270026
268424	18679	Puller Feed Roll (lower) Shaft Collar with two 200378C
268425	18679	Puller Feed Roll (lower) Shaft Needle Bearing, for 268449 and 268452
268426	18679	Puller Feed Roll (lower) Shaft Oil Packing (wick) for 268447
268428	18680	Puller Feed Roll (upper) Bar
268429	18680	" " " " " Bracket with 268433
268430	18680	Puller Feed Roll (upper) Bar Lifter, for 268431
268431	18680	Puller Feed Roll (upper) Bar Lifter 268430 with 268432 and two 200050C
268432	18680	Puller Feed Roll (upper) Bar Lifter Cam Plate, for 268431
268433	18680	Puller Feed Roll (upper) Bar Lifter Stop Pin, for 268429
268434	18680	Puller Feed Roll (upper) Bar Position Bracket 268435 and two 200362C
268435	18680	Puller Feed Roll (upper) Bar Position Bracket Stud, for 268434

No.	Plate	Name
268436	18680	Puller Feed Roll (upper) Bar Spring
268437	18680	" " " " Bracket with 200354C and 200382C
268438	18680	Puller Feed Roll (upper) Shaft
268441	18677	Bed Shaft with 268044, 268214, 268265 and 350534C
268442	18679	Puller Feed Clutch Driving Connection with 1036AL and 1390C, for 268446
268443	18679	Puller Feed Clutch Retaining Flange with two 200362C, for 268446
268444	18679	Puller Feed Clutch Retaining Spider, for 268445
268445	18679	Puller Feed Clutch Retaining Spider 268444 with three 131726, for 268446
268446	18679	Puller Feed Clutch complete, Nos. 131713, 131724, 131725, 268442, 268443, 268445, six each 68152, 131717 and 131718
268447	18679	Puller Feed Roll (lower) Shaft with 268426 and 350431E
268448	18679	Puller Feed Roll (lower) Shaft Bracket, for 268449
268449	18679	Puller Feed Roll (lower) Shaft Bracket 268448 with 268425
268451	18678	Bed Plate (left) for gauges from 1-17/32 to 2 in., for Machines Nos. 300w202, 300w302 and 300w402
268452	18679	Bed Hinge Connection Bracket 268752 with 268425 (Needle Bearing on left)
268503	18673	Looper Thread Guide
268505	18675	" " " (top of Arm) for 268506
268506	18675	Looper Thread Guide (top of Arm) Bracket 268111 with 268505 and two 50169J, for Machines Nos. 300w302 and 300w402
268507	18673	Looper Thread Take-up Thread Guide
268512	18617	Needle Thread Guide (on Needle Bar Connecting Stud)
268513	18673	Needle Thread Guide (on side of Arm)
268514	18675	" " Tension Bracket, for Machines Nos. 300w302 and 300w402
268515	18675	Needle Thread Tension Releaser, for Machines Nos. 300w302 and 300w402
268602	18616	Looper Holder with two 350478C, for Machine No. 300w102
268603	18617	Needle Bar with 200125F, for Machine No. 300w102
268606	18616	Spreader with 268162, for Machine No. 300w102
268611	18659	Presser Foot Plate, for 268613

No.	Plate	Name
268612	18659	Presser Foot Plate Heel Spring, for 267872, 267874, 267876, 267878, 267880, 267882, 267884, 268613, 268617, 268921, 268923 and 269231
268613	18659	Presser Foot (spring hinged) com- plete, 46 needle hole, Nos. 206335, 226080, 268275, 268611 and 268612, for Machine No. 300w102
268614	18659	Throat Plate, for 268618 and 268619, for Machine No. 300w102
268616	18659	Presser Foot Plate, for 268617
268617	18659	Presser Foot (spring hinged) com- plete, 40 needle hole, Nos. 206335, 226080, 268275, 268612 and 268616, for Machine No. 300w102
268618	18659	Feed Dog, 46 needle hole, for needle sizes 20 and 22 (teeth cut 15 to the inch) with 268318 and two 200172D, for 268614
268619	18659	Feed Dog, 40 needle hole, for needle sizes 23 and 24 (teeth cut 15 to the inch) with 268318 and two 200172D, for 268614
268752	18679	Bed Hinge Connection Bracket, for 268452
268807	18661	Feed Dog, 46 needle hole, for needle sizes 20 and 22, with three 268317 and six 200172D (standard feed sur- face) distance between outside needles from 1/2 to 1-1/2 in. Spacing between any two adjacent needles 3/16 or 7/32 in. (teeth cut 15 to the inch) for 268974
268808	18661	Feed Dog, 40 needle hole, for needle sizes 23 and 24, with three 268317 and six 200172D (standard feed sur- face) distance between outside needles from 1/2 to 1-1/2 in. Spac- ing between any two adjacent Needles 3/16 or 7/32 in. (teeth cut 8 to the inch) for 268974
268809	18661	Feed Dog, 46 needle hole, for needle sizes 20 and 22, with three 268317 and six 200172D (standard feed surface) distance between outside needles from 1-17/32 to 2 in. Spacing between any two adjacent needles 3/16 or 7/32 in. (teeth cut 15 to the inch) for 268975

No.	Plate	Name
268810	18661	Feed Dog, 40 needle hole, for needle sizes 23 and 24, with three 268317 and six 200172D (standard feed surface) distance between outside needles from 1-17/32 to 2 in. Spacing between any two adjacent needles 3/16 or 7/32 in. (teeth cut 8 to the inch) for 268975
268811	18661	Feed Dog, 46 needle hole, for needle sizes 20 and 22, with three 268318 and six 200172D (standard feed surface) distance between outside needles from 1-2 to 1-1/2 in. Least distance between any two adjacent needles 1/4 in. (teeth cut 15 to the inch) for 268976
268812	18661	Feed Dog, 40 needle hole, for needle sizes 23 and 24, with three 268318 and six 200172D (standard feed surface) distance between outside needles from 1-2 to 1-1/2 in. Least distance between any two adjacent needles 1/4 in. (teeth cut 8 to the inch) for 268976
268813	18661	Feed Dog, 46 needle hole, for needle sizes 20 and 22, with three 268318 and six 200172D (standard feed surface) distance between outside needles from 1-1-7/32 to 2 in. Least distance between any two adjacent needles 1/4 in. (teeth cut 15 to the inch) for 268977
268814	18661	Feed Dog, 40 needle hole, for needle sizes 23 and 24, with three 268318 and six 200172D (standard feed surface) distance between outside needles from 1-1-7/32 to 2 in. Least distance between any two adjacent needles 1/4 in. (teeth cut 8 to the inch) for 268977
268836	18657	Looper Holder with six 350478C, in gauges from 1/2 to 2 in., between outside needles. Least distance between any two adjacent needles 3/16 in., for Machine No. 300w302
268857	18657	Looper Thread Guide (on Bed at Looper) in gauges from 1/2 to 2 in. Least distance between any two adjacent needles 3/16 in., for Machine No. 300w302

No.	Plate	Name
268876	18657	Needle Bar Rock Frame Thread Guide, in gauges from 1/2 to 2 in., between outside needles. Least distance between any two adjacent needles 3/16 in., for Machine No. 300w302 Nos. 268896 to 268899, for Machine No. 300w302
268896	18657	Needle Holder with three 50014C, in gauges from 1/2 to 7/8 in. Least distance between any two adjacent needles 3/16 inch
268897	18657	Needle Holder with three 50014C, in gauges from 29/32 to 1-1/8 in. Least distance between any two adjacent needles 3/16 inch
268898	18657	Needle Holder with three 50014C, in gauges from 1-5/32 to 1-1/2 in. Least distance between any two adjacent needles 3/16 inch
268899	18657	Needle Holder with three 50014C, in gauges from 1-17/32 to 2 in. Least distance between any two adjacent needles 3/16 inch Nos. 268920 to 268923, for Machine No. 300w302
268920	18661	Presser Foot Plate, for 268921
268921	18661	Presser Foot (spring hinged) complete, 46 needle hole, in gauges from 1/2 to 2 in. Least distance between any two adjacent needles 3/16 in., Nos. 226080, 230795, 268275, 268612 and 268920
268922	18661	Presser Foot Plate, for 268923
268923	18661	Presser Foot (spring hinged) complete, 40 needle hole, in gauges from 1/2 to 2 in. Least distance between any two adjacent needles 3/16 in., Nos. 226080, 230795, 268275, 268612 and 268922
268956	18657	Spreader with three 268162, in gauges from 1/2 to 2 in. Least distance between any two adjacent needles 3/16 in., for Machine No. 300w302 Nos. 268974 to 268977, for Machine No. 300w302
268974	18661	Throat Plate, for 268807 and 268808, in gauges from 1/2 to 1-1/2 in., between outside needles. Spacing between any two adjacent needles 3/16 or 7/32 inch

No.	Plate	Name
268810	18661	Feed Dog, 40 needle hole, for needle sizes 23 and 24, with three 268317 and six 200172D (standard feed surface) distance between outside needles from 1-17/32 to 2 in. Spacing between any two adjacent needles 3/16 or 7/32 in. (teeth cut 8 to the inch) for 268975
268811	18661	Feed Dog, 46 needle hole, for needle sizes 20 and 22, with three 268318 and six 200172D (standard feed surface) distance between outside needles from 1/2 to 1-1/2 in. Least distance between any two adjacent needles 1/4 in. (teeth cut 15 to the inch) for 268976
268812	18661	Feed Dog, 40 needle hole, for needle sizes 23 and 24, with three 268318 and six 200172D (standard feed surface) distance between outside needles from 1/2 to 1-1/2 in. Least distance between any two adjacent needles 1/4 in. (teeth cut 8 to the inch) for 268976
268813	18661	Feed Dog, 46 needle hole, for needle sizes 20 and 22, with three 268318 and six 200172D (standard feed surface) distance between outside needles from 1-17/32 to 2 in. Least distance between any two adjacent needles 1/4 in. (teeth cut 15 to the inch) for 268977
268814	18661	Feed Dog, 40 needle hole, for needle sizes 23 and 24, with three 268318 and six 200172D (standard feed surface) distance between outside needles from 1-17/32 to 2 in. Least distance between any two adjacent needles 1/4 in. (teeth cut 8 to the inch) for 268977
268836	18657	Looper Holder with six 350478C, in gauges from 1/2 to 2 in., between outside needles. Least distance between any two adjacent needles 3/16 in., for Machine No. 300w302
268857	18657	Looper Thread Guide (on Bed at Looper) in gauges from 1/2 to 2 in. Least distance between any two adjacent needles 3/16 in., for Machine No. 300w302

No.	Plate	Name
268876	18657	Needle Bar Rock Frame Thread Guide, in gauges from 1/2 to 2 in., between outside needles. Least distance between any two adjacent needles 3/16 in., for Machine No. 300w302 Nos. 268896 to 268899, for Machine No. 300w302
268896	18657	Needle Holder with three 50014C, in gauges from 1/2 to 7/8 in. Least distance between any two adjacent needles 3/16 inch
268897	18657	Needle Holder with three 50014C, in gauges from 29/32 to 1-1/8 in. Least distance between any two adjacent needles 3/16 inch
268898	18657	Needle Holder with three 50014C, in gauges from 1-5/32 to 1-1/2 in. Least distance between any two adjacent needles 3/16 inch
268899	18657	Needle Holder with three 50014C, in gauges from 1-17/32 to 2 in. Least distance between any two adjacent needles 3/16 inch Nos. 268920 to 268923, for Machine No. 300w302
268920	18661	Presser Foot Plate, for 268921
268921	18661	Presser Foot (spring hinged) complete, 46 needle hole, in gauges from 1/2 to 2 in. Least distance between any two adjacent needles 3/16 in., Nos. 226080, 230795, 268275, 268612 and 268920
268922	18661	Presser Foot Plate, for 268923
268923	18661	Presser Foot (spring hinged) complete, 40 needle hole, in gauges from 1/2 to 2 in. Least distance between any two adjacent needles 3/16 in., Nos. 226080, 230795, 268275, 268612 and 268922
268956	18657	Spreader with three 268162, in gauges from 1/2 to 2 in. Least distance between any two adjacent needles 3/16 in., for Machine No. 300w302 Nos. 268974 to 268977, for Machine No. 300w302
268974	18661	Throat Plate, for 268807 and 268808, in gauges from 1/2 to 1-1/2 in., between outside needles. Spacing between any two adjacent needles 3/16 or 7/32 inch

No.	Plate	Name
268975	18661	Throat Plate, for 268809 and 268810, in gauges from 1-17/32 to 2 in., between outside needles. Spacing between any two adjacent needles 3/16 or 7/32 inch
268976	18661	Throat Plate, for 268811 and 268812, in gauges from 1/2 to 1-1/2 in., between outside needles. Least distance between any two adjacent needles 1/4 inch
268977	18661	Throat Plate, for 268813 and 268814, in gauges from 1-17/32 to 2 in., between outside needles. Least distance between any two adjacent needles 1/4 inch
269002	18662	Feed Dog, 46 needle hole, for needle sizes 20 and 22, with four 268317 and eight 200172D (standard feed surface) distance between outside needles from 3/4 to 1-1/2 in. Spacing between any two adjacent needles 3/16 or 7/32 in. (teeth cut 15 to the inch) for 269377
269003	18662	Feed Dog, 46 needle hole, for needle sizes 20 and 22, with four 268317 and eight 200172D (standard feed surface) distance between outside needles from 1-17/32 to 2 in. Spacing between any two adjacent needles 3/16 or 7/32 in. (teeth cut 15 to the inch) for 269378
269006	18662	Feed Dog, 46 needle hole, for needle sizes 20 and 22, with four 268318 and eight 200172D (standard feed surface) distance between outside needles from 3/4 to 1-1/2 in. Least distance between any two adjacent needles 1/4 in. (teeth cut 15 to the inch) for 269379
269007	18662	Feed Dog, 46 needle hole, for needle sizes 20 and 22, with four 268318 and eight 200172D (standard feed surface) distance between outside needles from 1-17/32 to 2 in. Least distance between any two adjacent needles 1/4 in. (teeth cut 15 to the inch) for 269380
269065	18658	Looper Holder with eight 350478C, in gauges from 3/4 to 2 in., between outside needles. Least distance between any two adjacent needles 3/16 in., for Machine No. 300w402

No.	Plate	Name
269110	18658	Looper Thread Guide (on Bed at Looper) in gauges from 3/4 to 2 in. Least distance between any two adjacent needles 3/16 in., for Machine No. 300w402
269138	18658	Needle Bar Rock Frame Thread Guide, in gauges from 3/4 to 2 in. Least distance between any two adjacent needles 3/16 in., for Machine No. 300w402
		Nos. 269191 to 269194, for Machine No. 300w402
269191	18658	Needle Holder with four 50014C, in gauges from 3/4 to 7/8 in. Least distance between any two adjacent needles 3/16 inch
269192	18658	Needle Holder with four 50014C, in gauges from 29/32 to 1-1/8 in. Least distance between any two adjacent needles 3/16 inch
269193	18658	Needle Holder with four 50014C, in gauges from 1-5/32 to 1-1/2 in. Least distance between any two adjacent needles 3/16 inch
269194	18658	Needle Holder with four 50014C, in gauges from 1-17/32 to 2 in. Least distance between any two adjacent needles 3/16 inch
269230	18662	Presser Foot Plate, for 269231
269231	18662	Presser Foot (spring hinged) complete, 46 needle hole, in gauges from 3/4 to 2 in. Least distance between any two adjacent needles 3/16 in., Nos. 226080, 230795, 268275, 268612 and 269230, for Machine No. 300w402
		Nos. 269234 to 269240, for Machine No. 300w402
269234	18663	Presser Foot Bracket with 350089C, for 269237
269235	18663	Presser Foot Plate (left) for 269237
269236	18663	" " " (right) for 269237
269237	18663	Presser Foot (hinged, compensating) complete, 46 needle hole, in gauges from 3/4 to 1-7/32 in. Least distance between any two adjacent needles 3/16 in., Nos. 269234 to 269236, 271115 to 271117, 271119, 350515C, two each 26231, 200583H and 213910
269238	18663	Presser Foot Plate (left) for 269240
269239	18663	" " " (right) for 269240

NUMERICAL LIST OF PARTS

No.	Plate	Name
269240	18663	Presser Foot (hinged, compensating) complete, 46 needle hole, in gauges from 1-1/4 to 2 in. Least distance between any two adjacent needles 3/16 in., Nos. 269238, 269239, 269511, 269512, 269516, 350068D, 350122H, two each 200581H, 206335, 226080 and 269515
269340	18658	Spreader with four 268162, in gauges from 3/4 to 2 in. Least distance between any two adjacent needles 3/16 in., for Machine No. 300w402 Nos. 269377 to 269380, for Machine No. 300w402
269377	18662	Throat Plate, for 269002, in gauges from 3/4 to 1-1/2 in., between outside needles. Spacing between any two adjacent needles 3/16 or 7/32 inch
269378	18662	Throat Plate, for 269003, in gauges from 1-17/32 to 2 in., between outside needles. Spacing between any two adjacent needles 3/16 or 7/32 inch
269379	18662	Throat Plate, for 269006, in gauges from 3/4 to 1-1/2 in., between outside needles. Least distance between any two adjacent needles 1/4 inch
269380	18662	Throat Plate, for 269007, in gauges from 1-17/32 to 2 in., between outside needles. Least distance between any two adjacent needles 1/4 inch
269511	18663	Presser Foot Bracket with 350089C, for 269240
269512	18663	Presser Foot Connection Lever, for 269240
269515	18663	Presser Foot Shank, for 269240
269516	18663	" " " Guide Plate, for 269240
270026	18677	Feed Regulating Stud Spring
270026	18677	Puller Feed Regulating Stud Spring, for 268419
270266	18617	Needle Bar Connecting Link Needle Bearing, for 268138 Nos. 271115 to 271117, for 269237
271115	18663	Presser Foot Bracket Cover Plate
271116	18663	" " Connection Lever
271117	18663	" " Shank (left)
271119	18663	" " " (right) for 269237
350013C	18678	Foot Lifter Bell Crank Hinge Screw

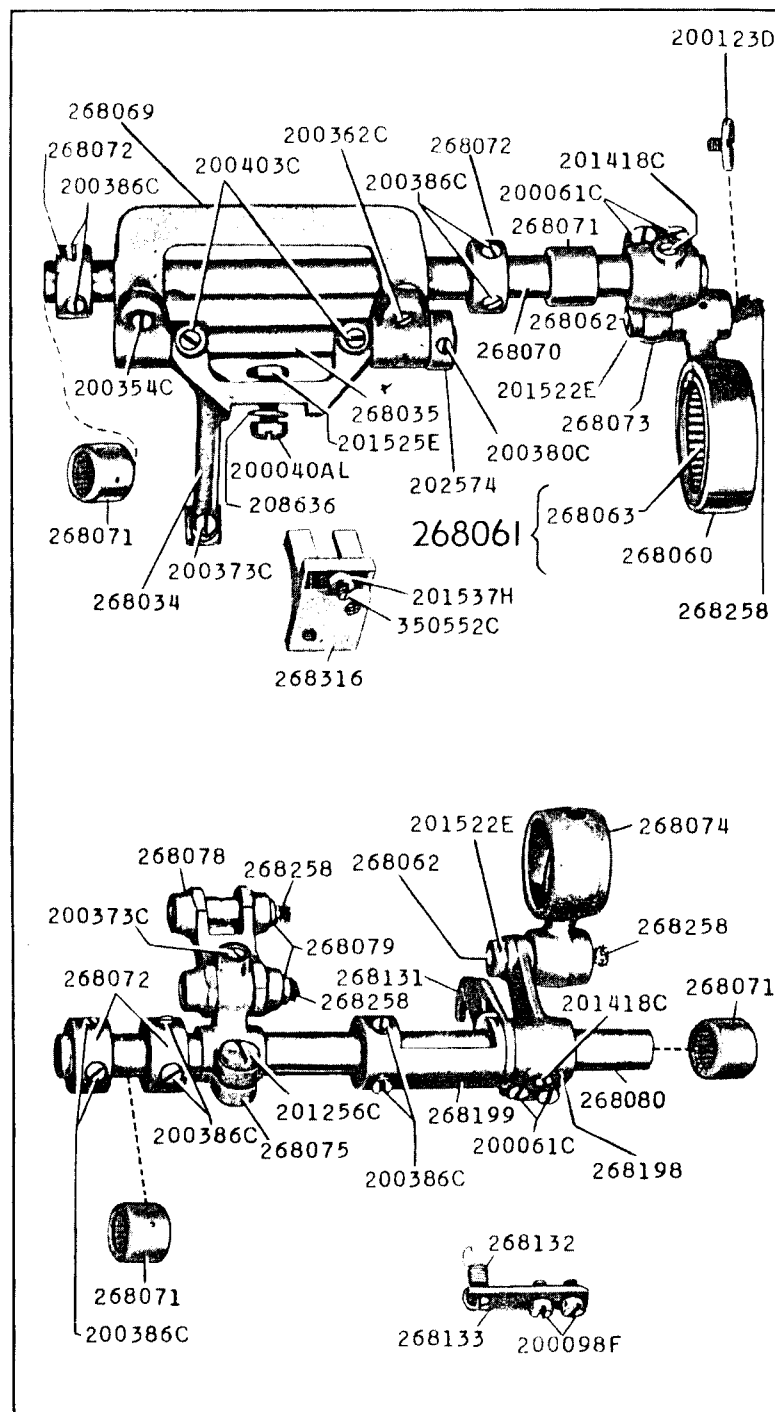
NUMERICAL LIST OF PARTS

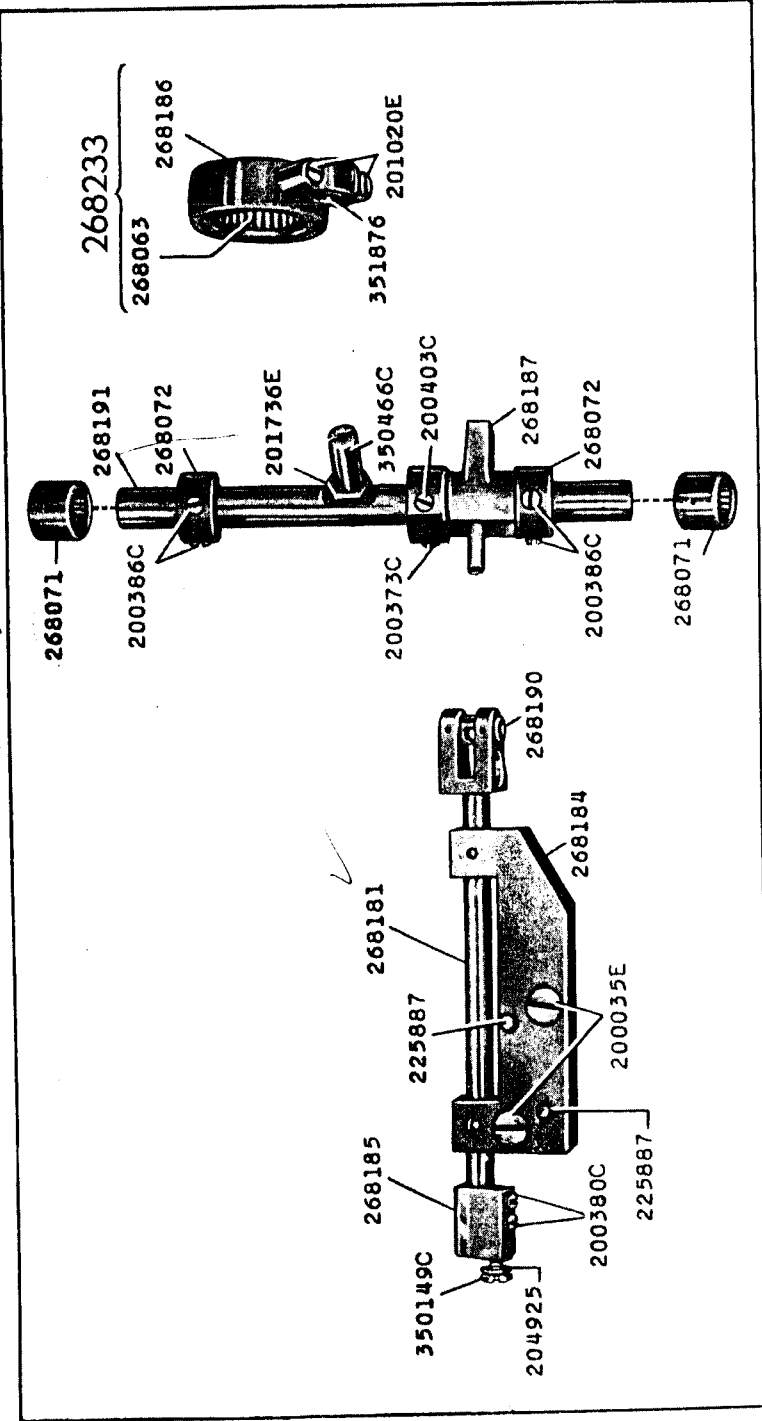
No.	Plate	Name
350068D	18663	Presser Foot Connection Lever Hinge Screw, for 269240
350089C	18663	Presser Foot Bracket Pinch Screw, for 269234 and 269511
350101AL	18673	Needle Thread Nipper Adjusting Collar Screw, for 201733XC
350101AL	18627	Thread Unwinder Thread Tube Set Screw, for 228651, 228654, 228656 and 228658
350122H	18663	Presser Foot Shank Guide Plate Screw, for 269240
350132C	18673	Looper Thread Take-up Thread Guide Screw
350149C	18605	Spreader Screw
350171C	18670	Arm Shaft Oil Slinger Set Screw, for 268008
350267E	18616	Looper Holder Screw
350381C	18678	Presser Bar Spring Adjusting Screw
350431E	18679	Puller Feed Roll (lower) Shaft Oil Stop Screw, for 268447
350466C	18605	Spreader Driving Rock Shaft Screw Stud
350467AL	18677	Feed Driving Flange Set Screw, for 268315
350467AL	18670	Needle Bar Rock Frame Driving Flange Set Screw, for 268315
350467AL	18677	Puller Feed Driving Flange Set Screw, for 268315
350468E	18616	Looper Thread Guide (on Bed at Looper) Screw
350477C	18677	Feed Driving Eccentric Friction Plate Screw Set Screw, for 268315
350477C	18670	Needle Bar Rock Frame Driving Eccentric Friction Plate Screw Set Screw, for 268315
350477C	18677	Puller Feed Driving Eccentric Friction Plate Screw Set Screw, for 268315
350478C	18616	Looper Adjusting Screw, for 268103 to 268107, 268282, 268602, 268836 and 269065
350478C	18616	Looper Set Screw, for 268103 to 268107, 268282, 268602, 268836 and 269065
350483C	18673	Needle Thread Nipper Spring Plunger Screw Bearing
350496C	18673	Needle Thread Nipper Plunger Hinge Pin Set Screw, for 268229
350515C	18663	Presser Foot Connection Lever Hinge Screw, for 269237
350534C	18670	Arm Shaft Oil Stop Ball Screw, for 268003

NUMERICAL LIST OF PARTS

No.	Plate	Name
350534C	18677	Bed Shaft Oil Stop Ball Screw, for 268441
350548C	18677	Feed Driving Eccentric Friction Plate Screw, for 268315
350548C	18670	Needle Bar Rock Frame Driving Eccentric Friction Plate Screw, for 268315
350548C	18677	Puller Feed Driving Eccentric Friction Plate Screw, for 268315
350552C	18603	Feed Dog Shank Adjusting Screw, for 268316
351875	18617	Presser Bar Guide Bracket Roller, for 268174
351876	18605	Spreader Driving Rock Shaft Screw Stud Ball Roller, for 268233

18603-1/2





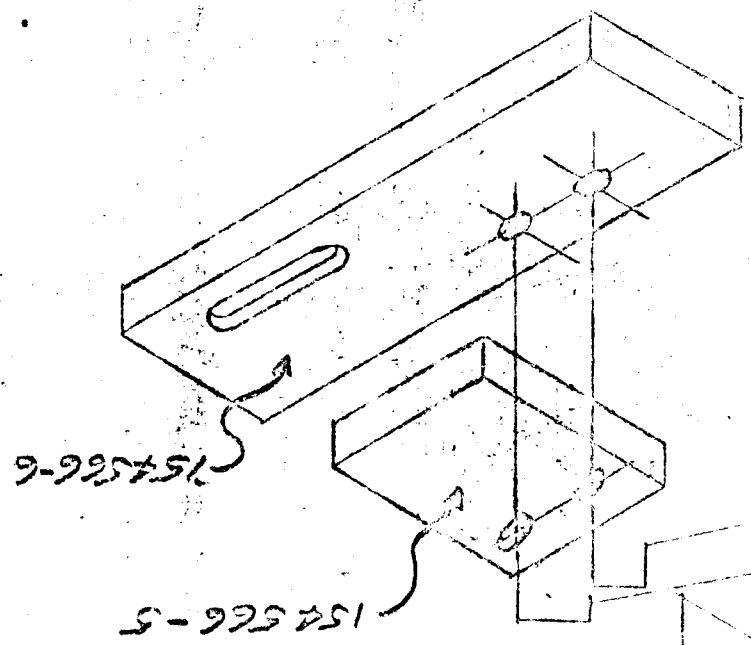
154566-9

Spring Brake Jockey

DATE 12-13-78 NO SCALE RA

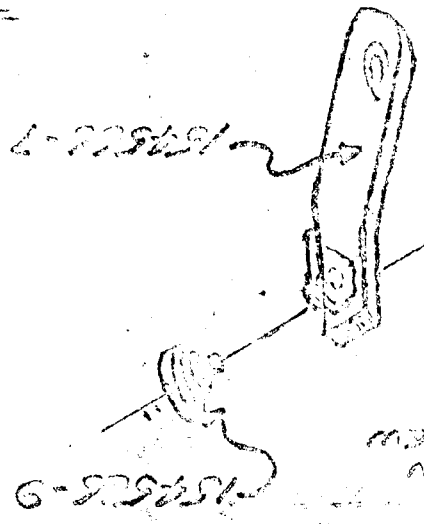
ENGINEERING DEPT. AIRPORT CORP.

CEM ATTACHMENTS



1/4-20 RD HD SCREW (2)
x 5/8 LG.

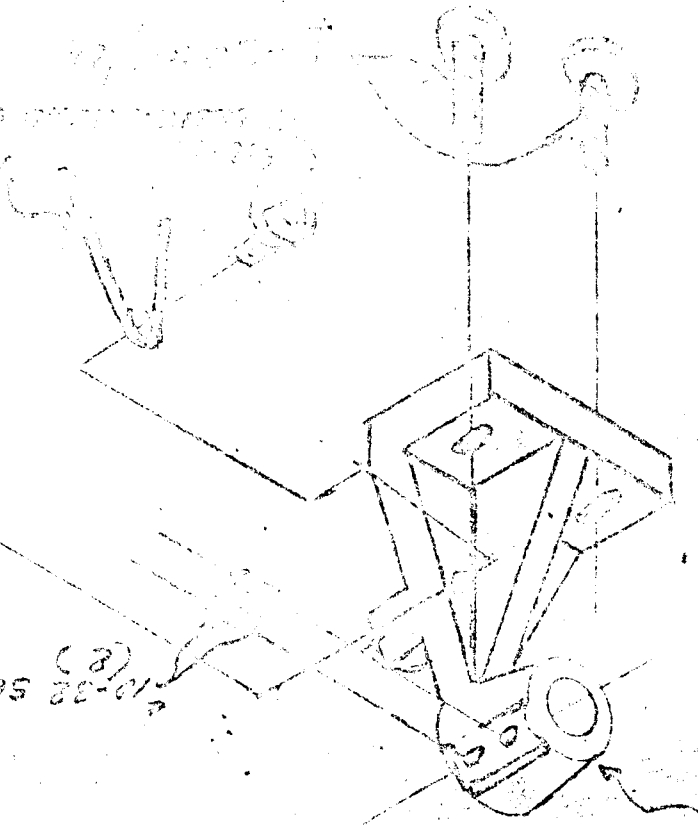
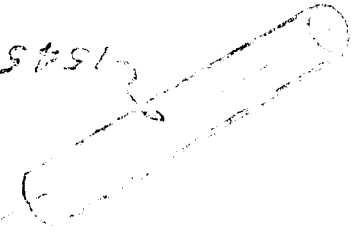
PART NO.
154566



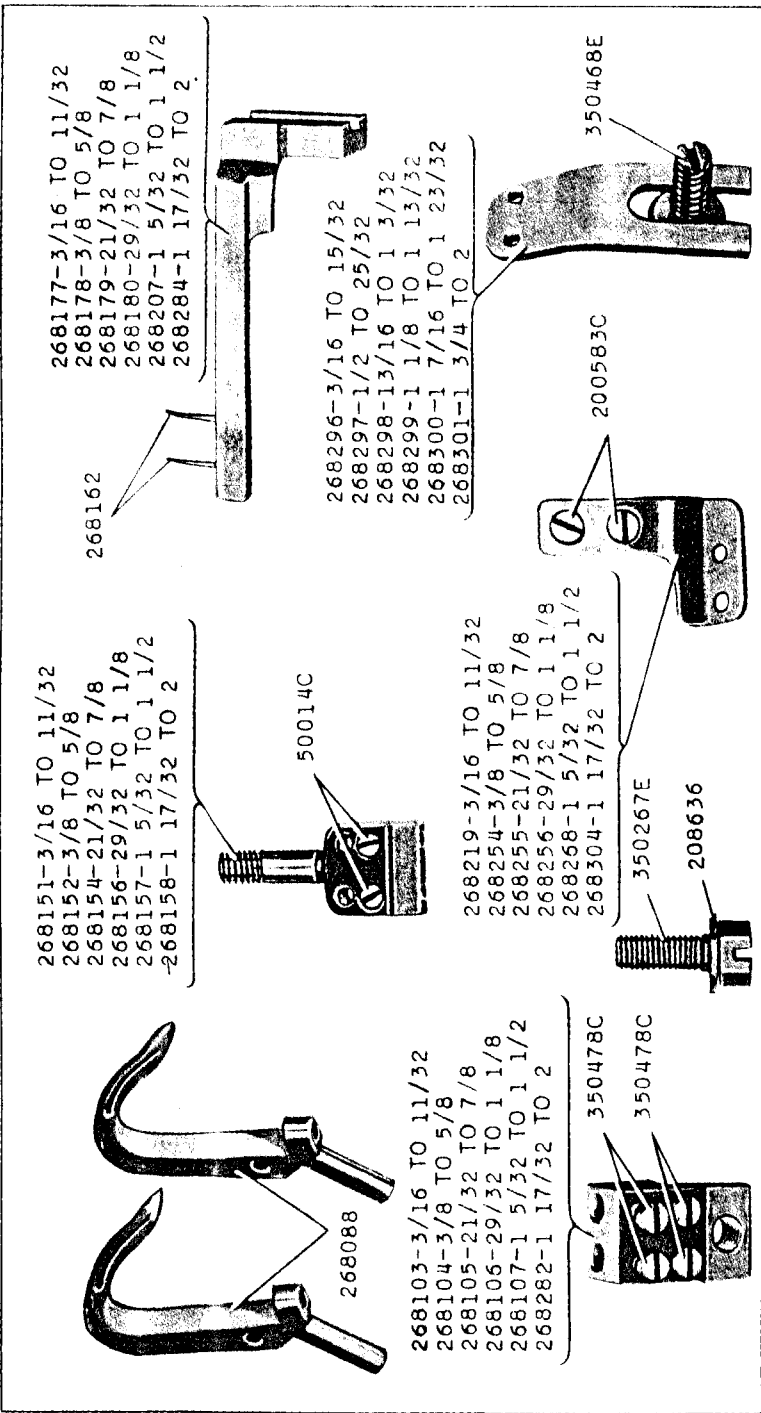
1/2-32 SET SCREW
ALLEN (2)

154566-2

154566-3

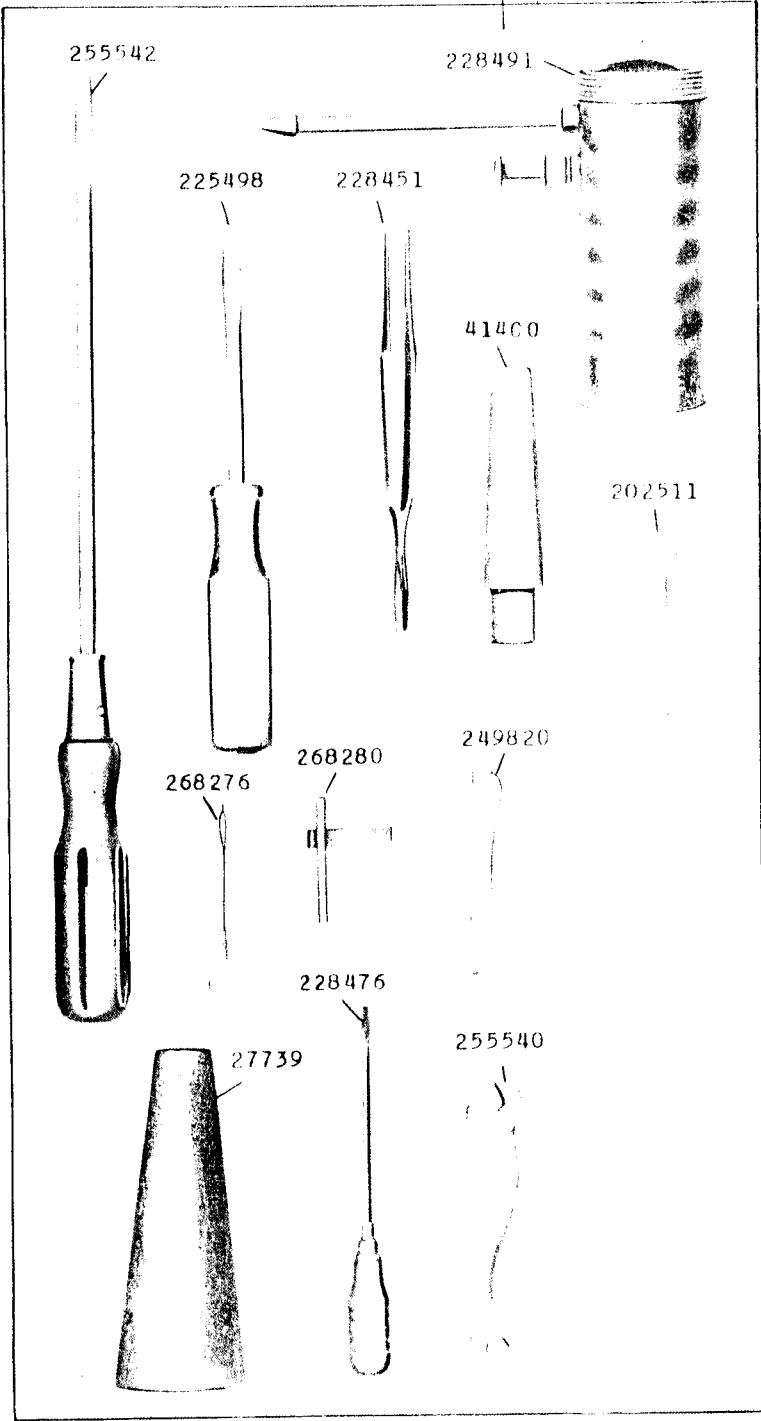


154566-4

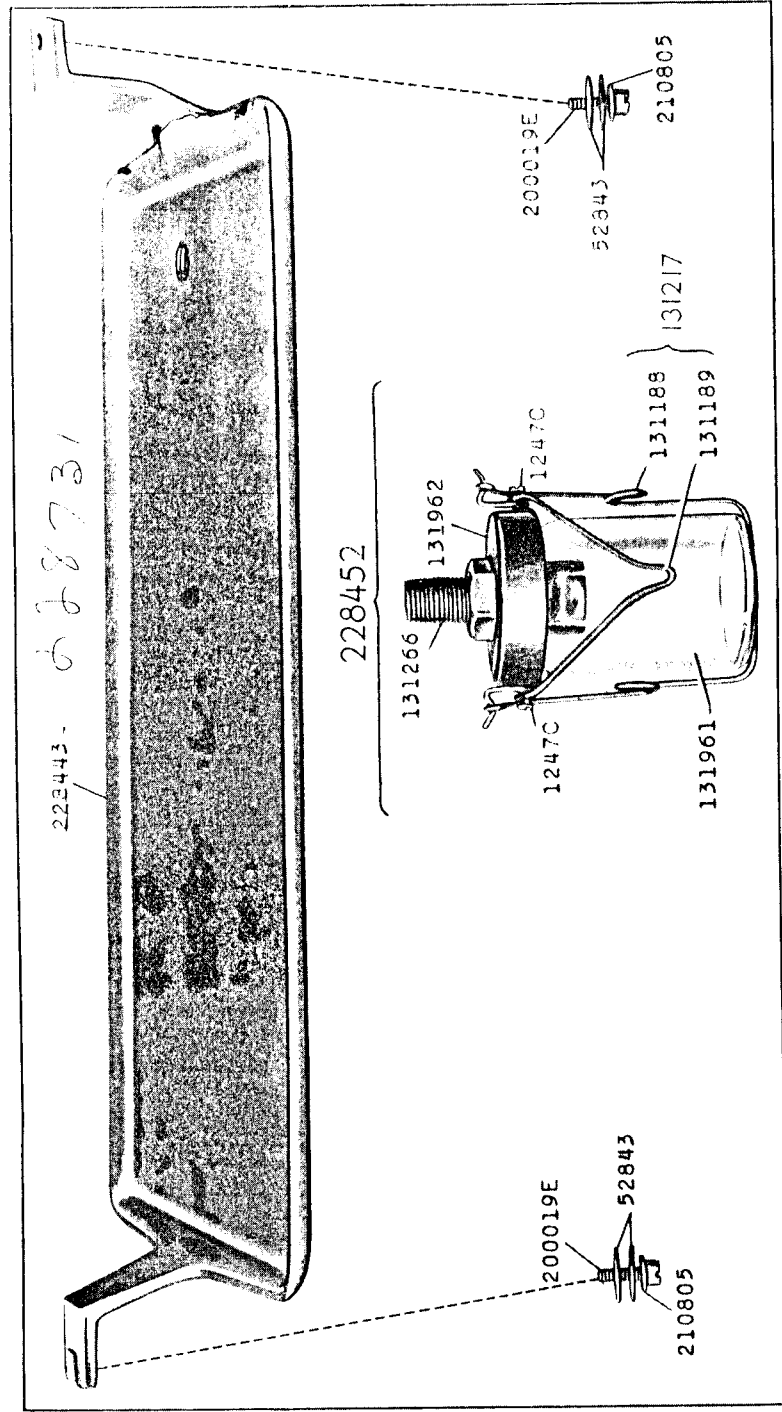


18611 - 3/8

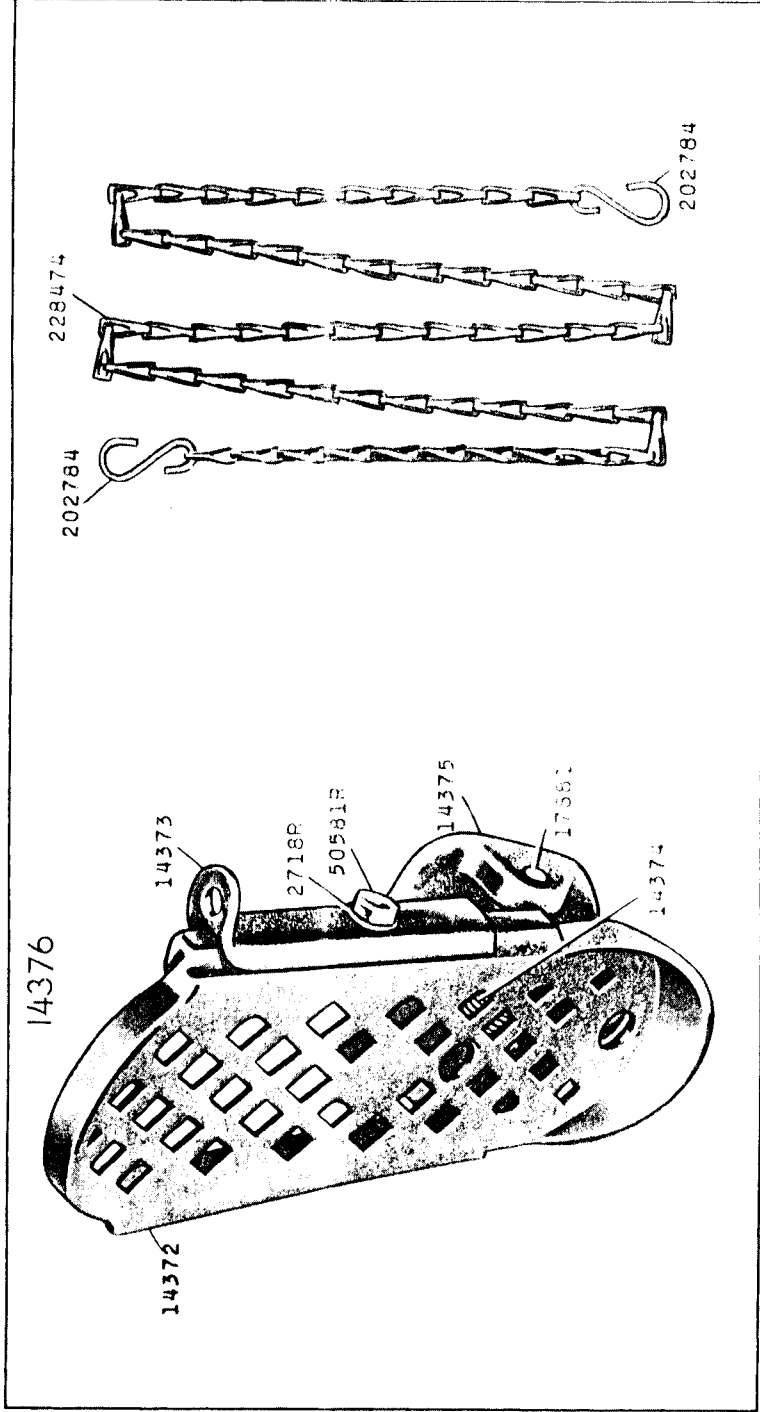
Handwritten: 18611-3/8



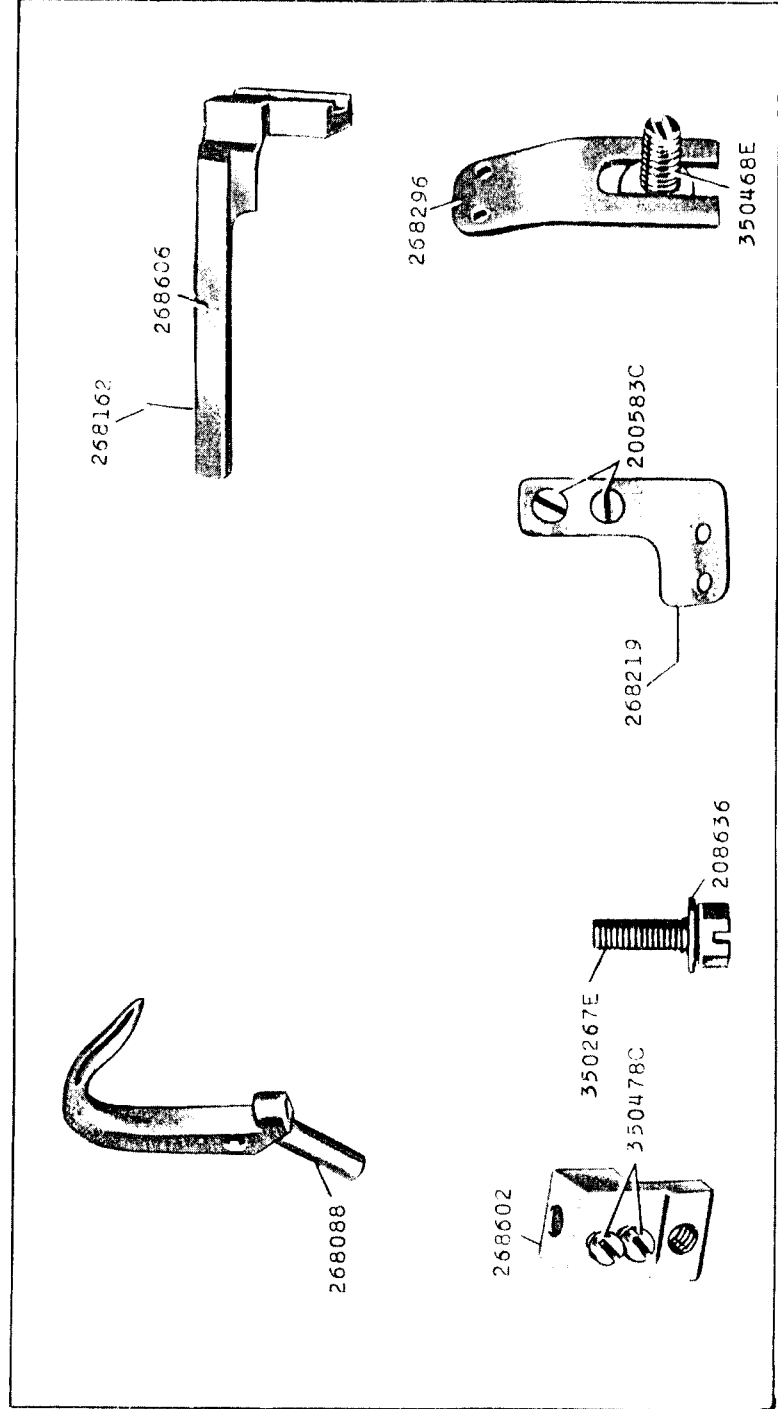
18612 - 1/3



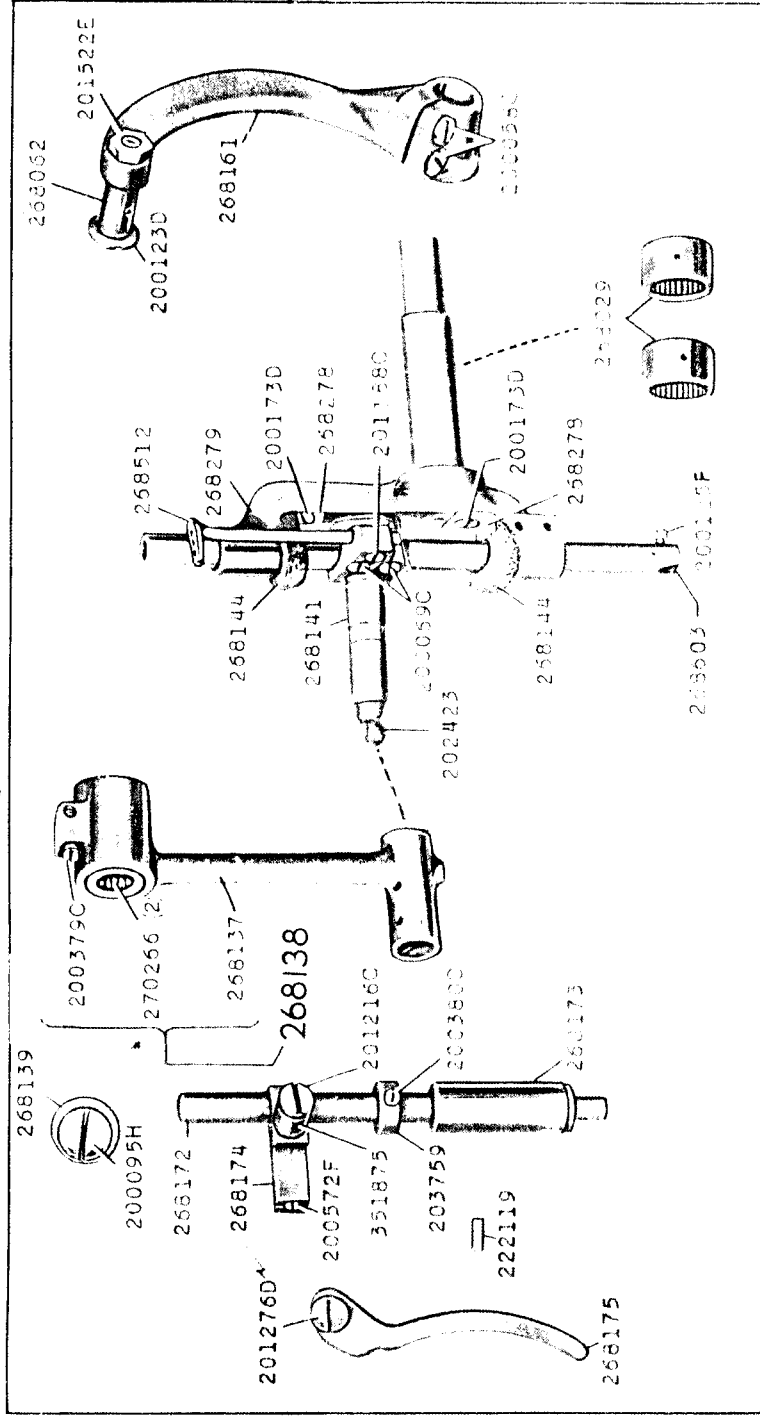
18614 - 1/2



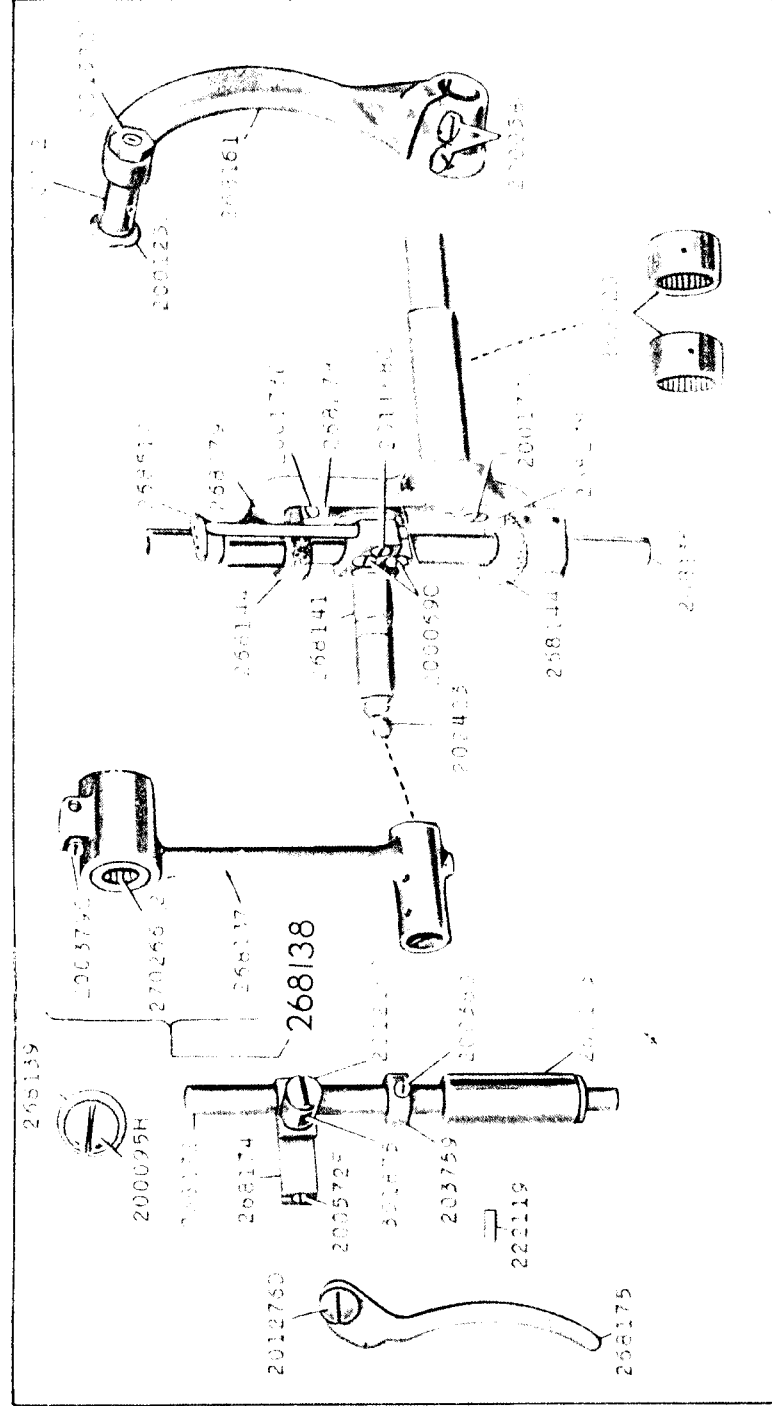
18616



18617 - 1/2

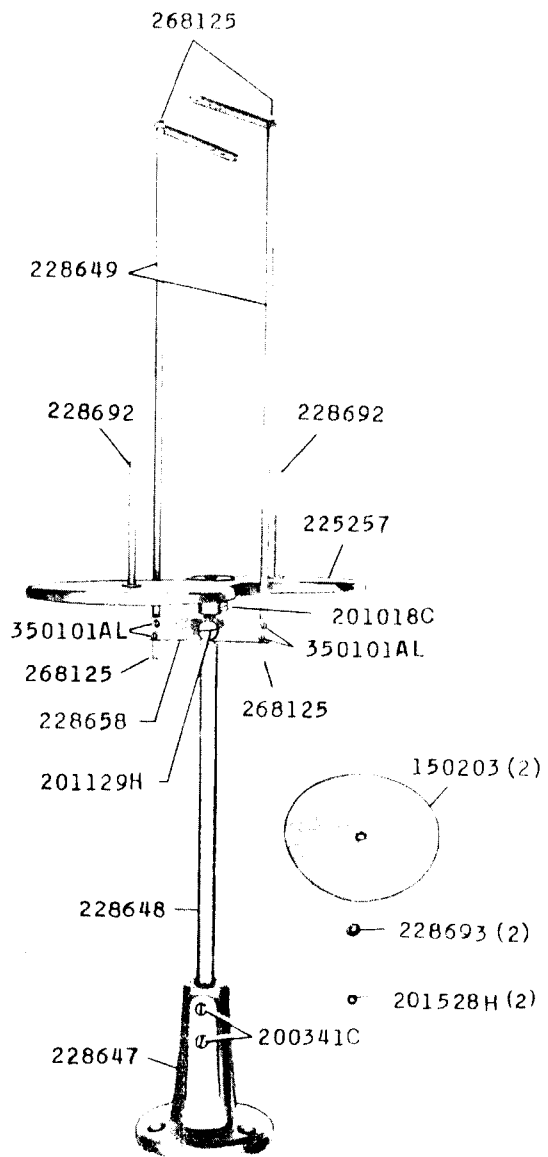


18620 - 1/2



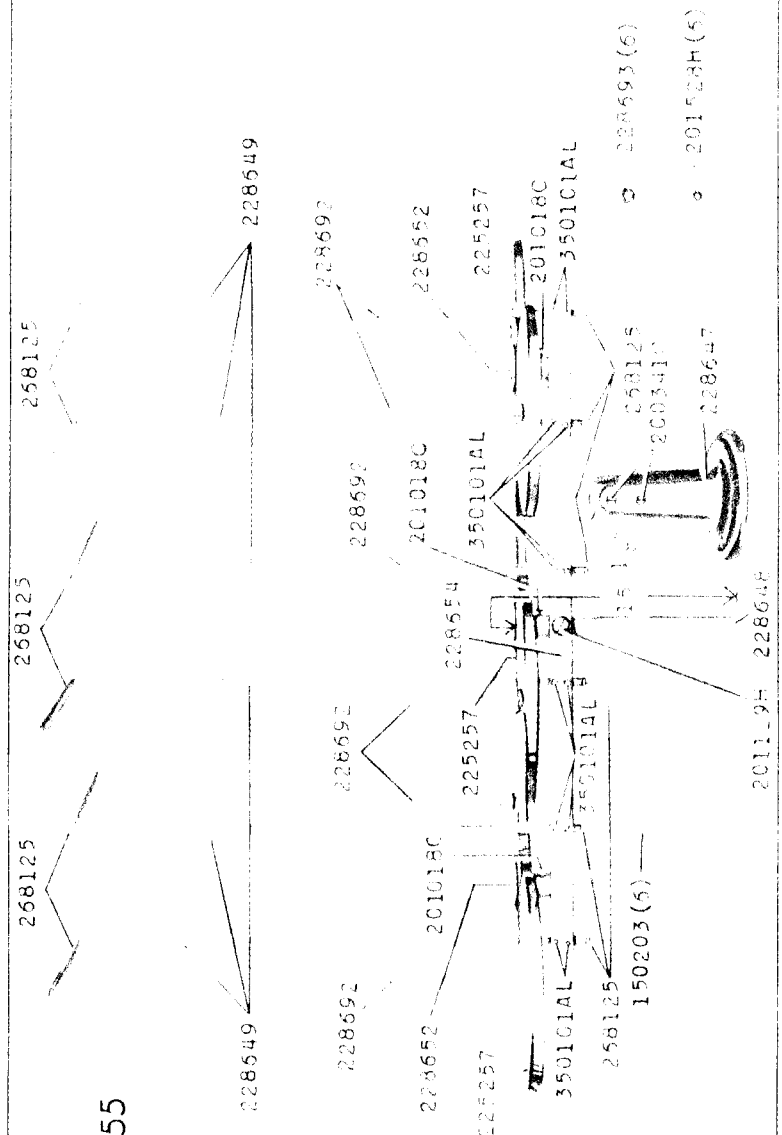
18627 - 1/6

228650



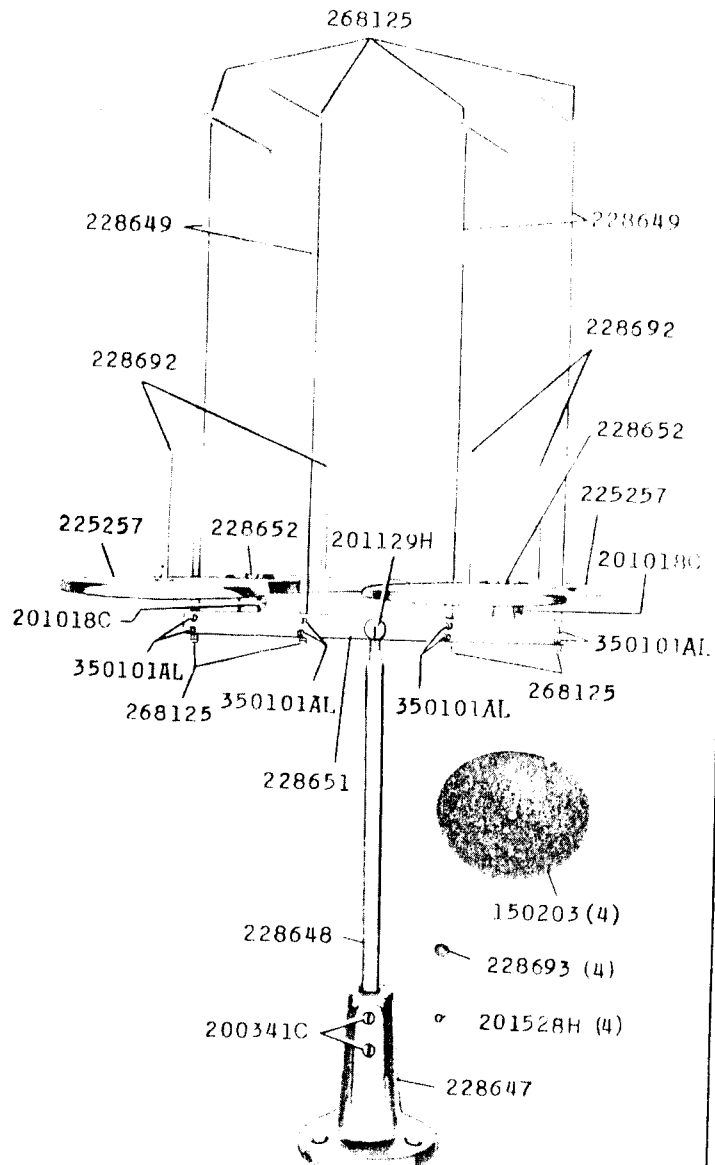
18629-1/6

228655

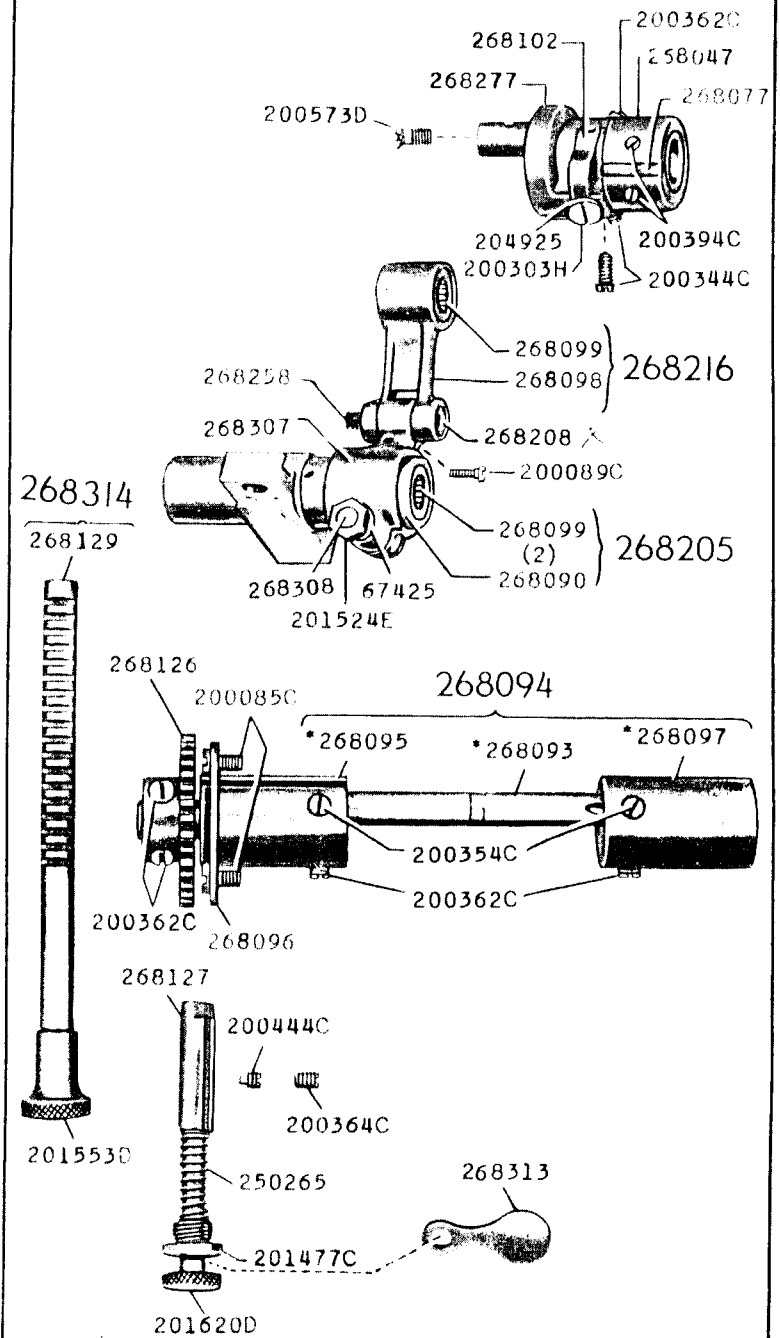


18628 - 1/6

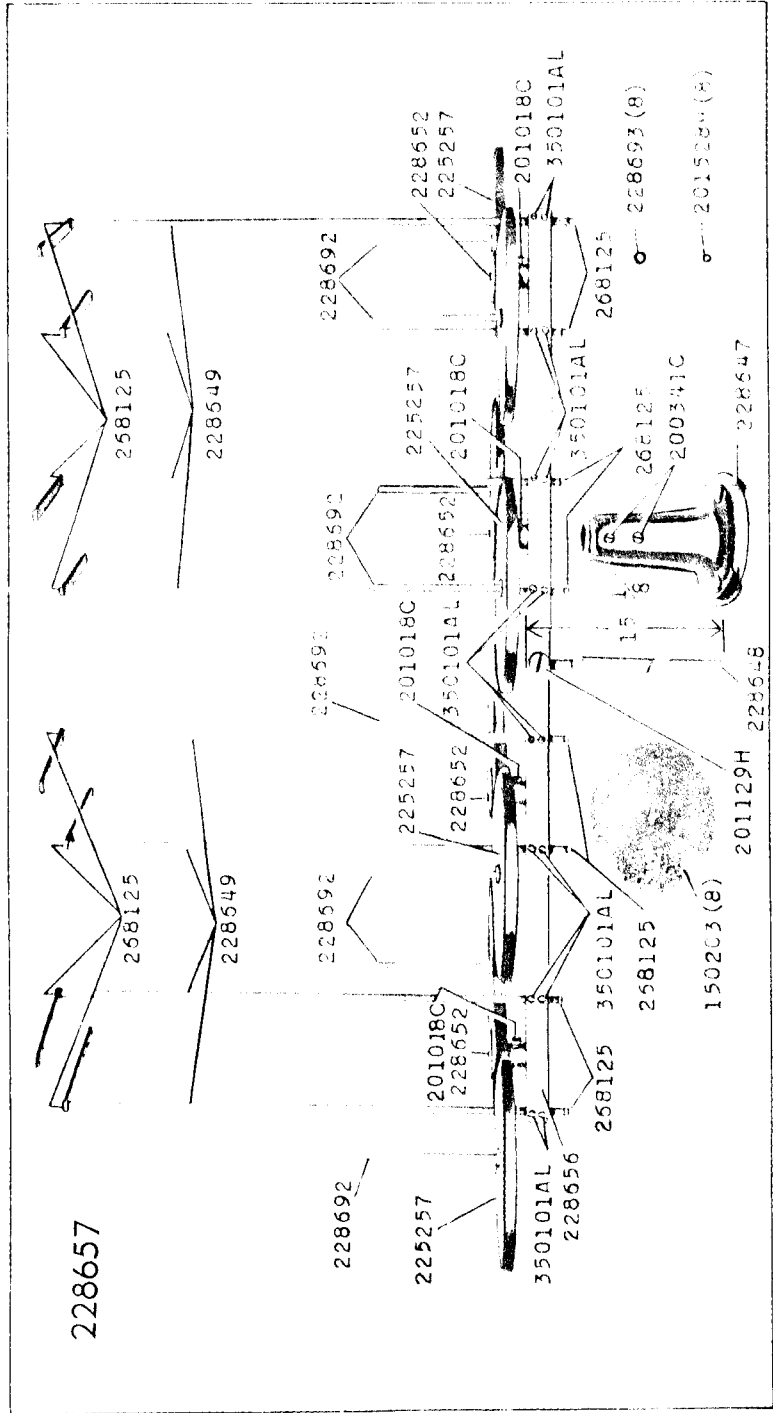
228653



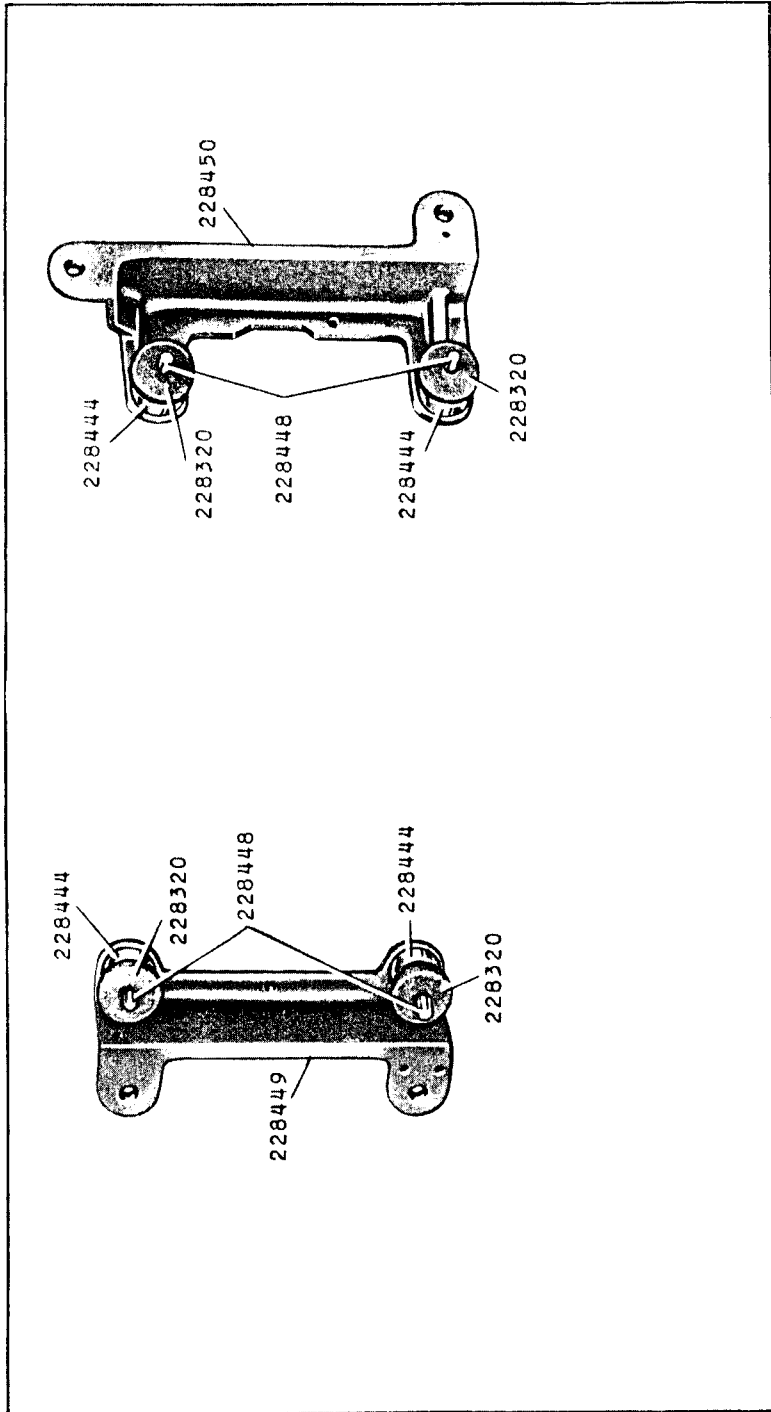
18635 - 1/2

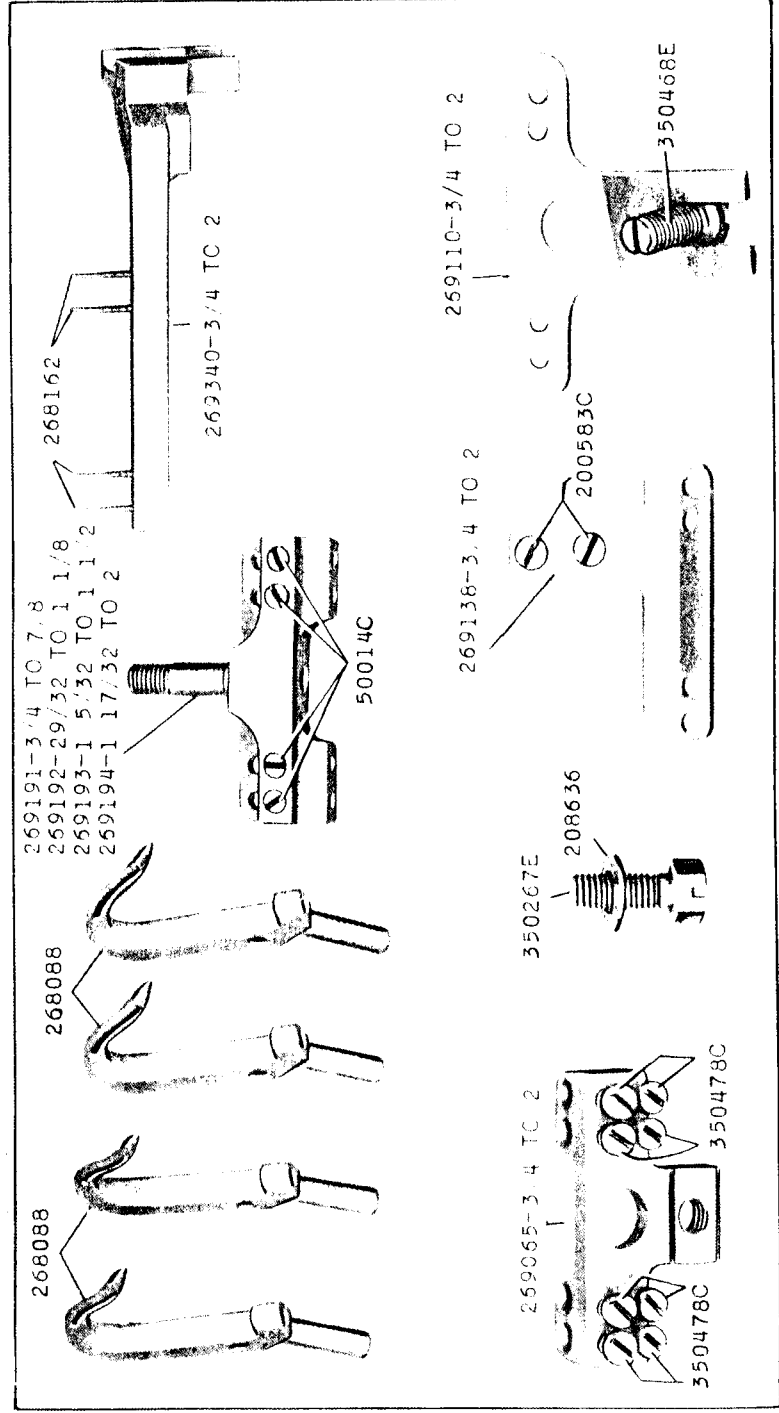
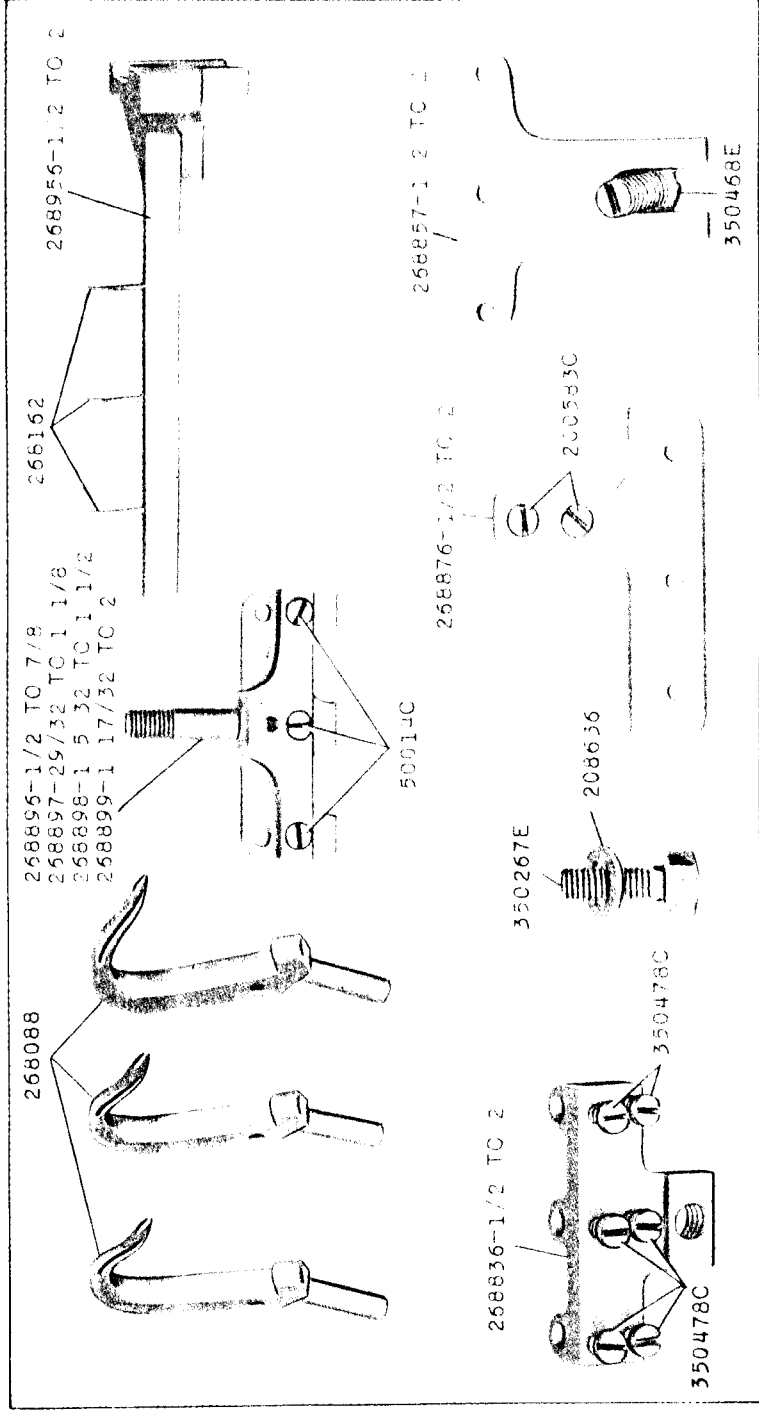


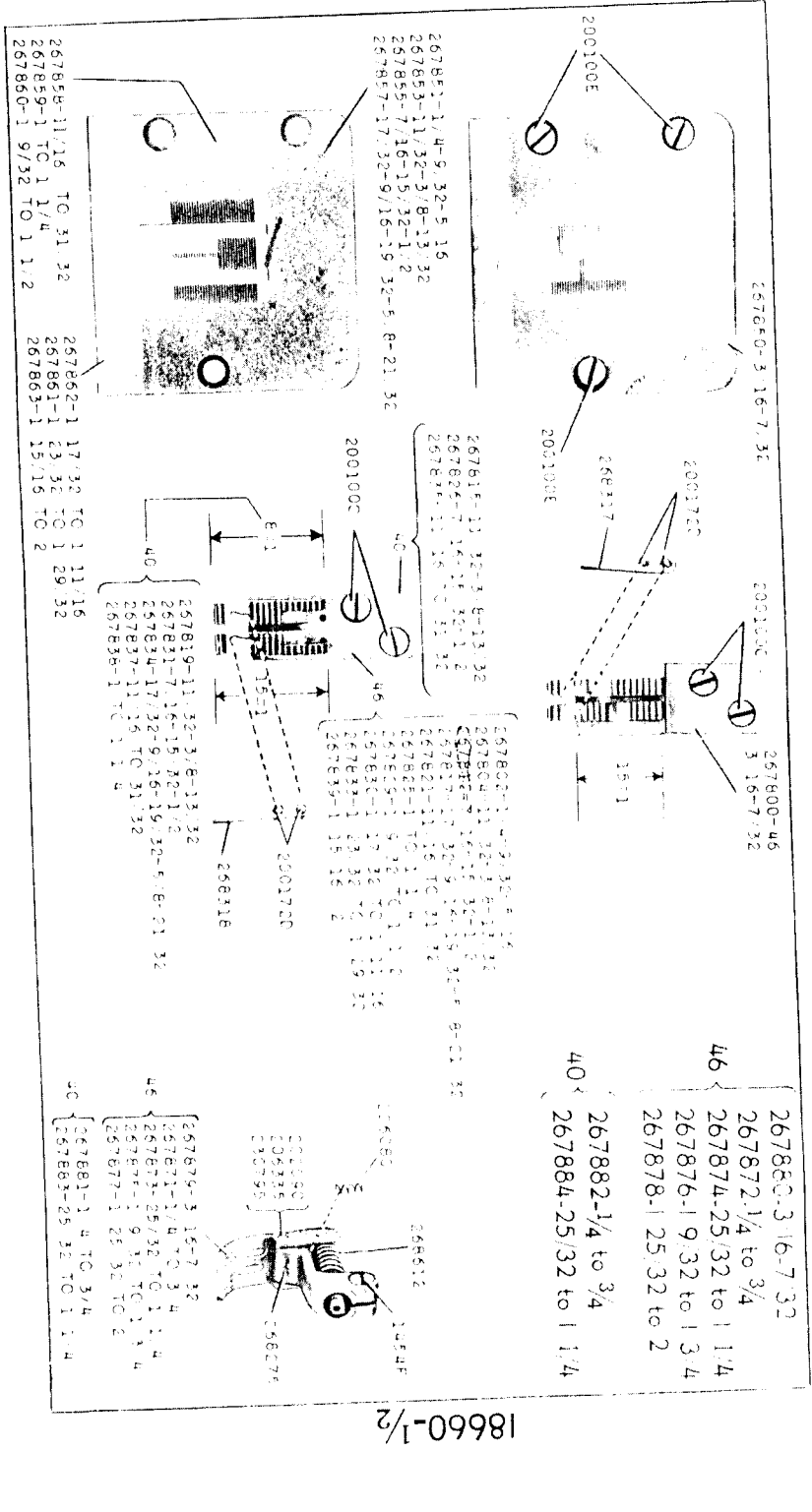
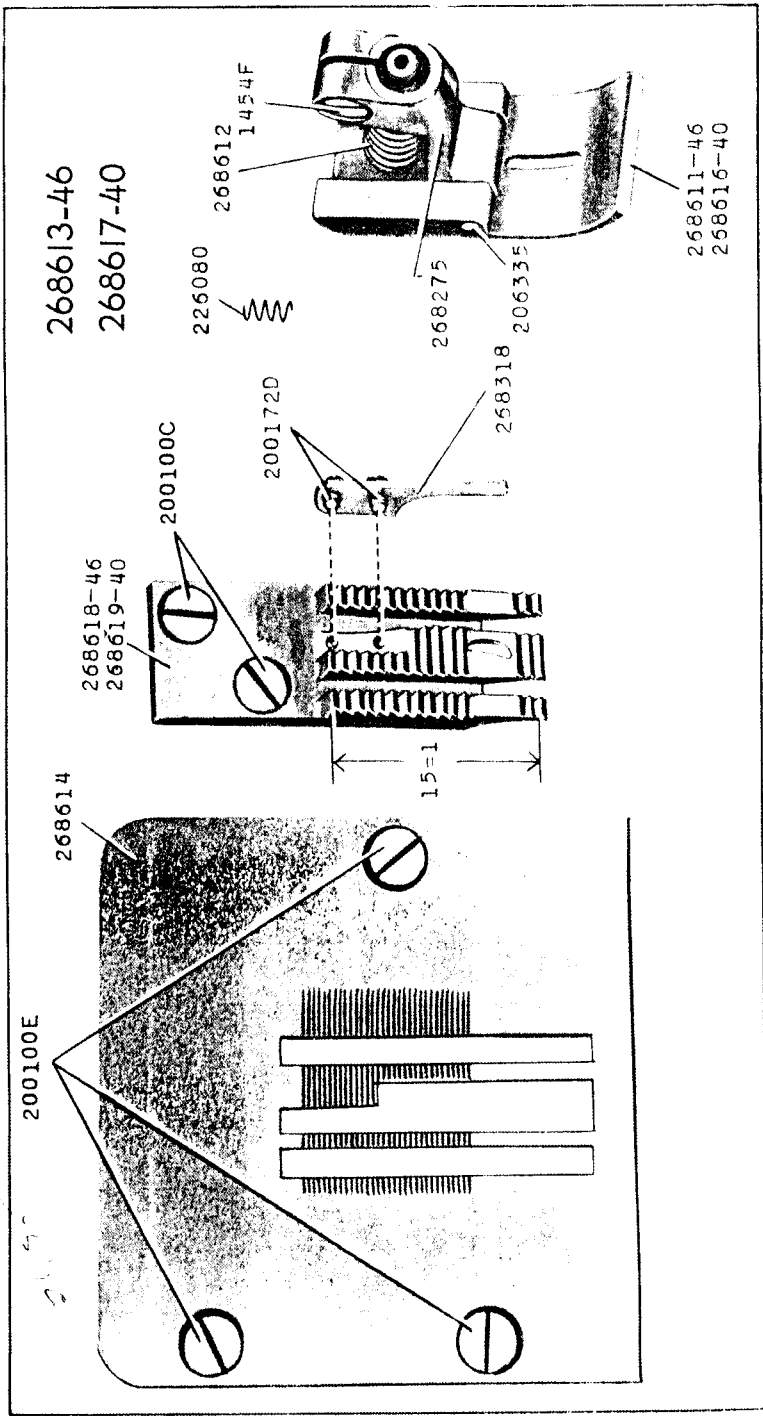
18630-1/6



18645 - 1/4

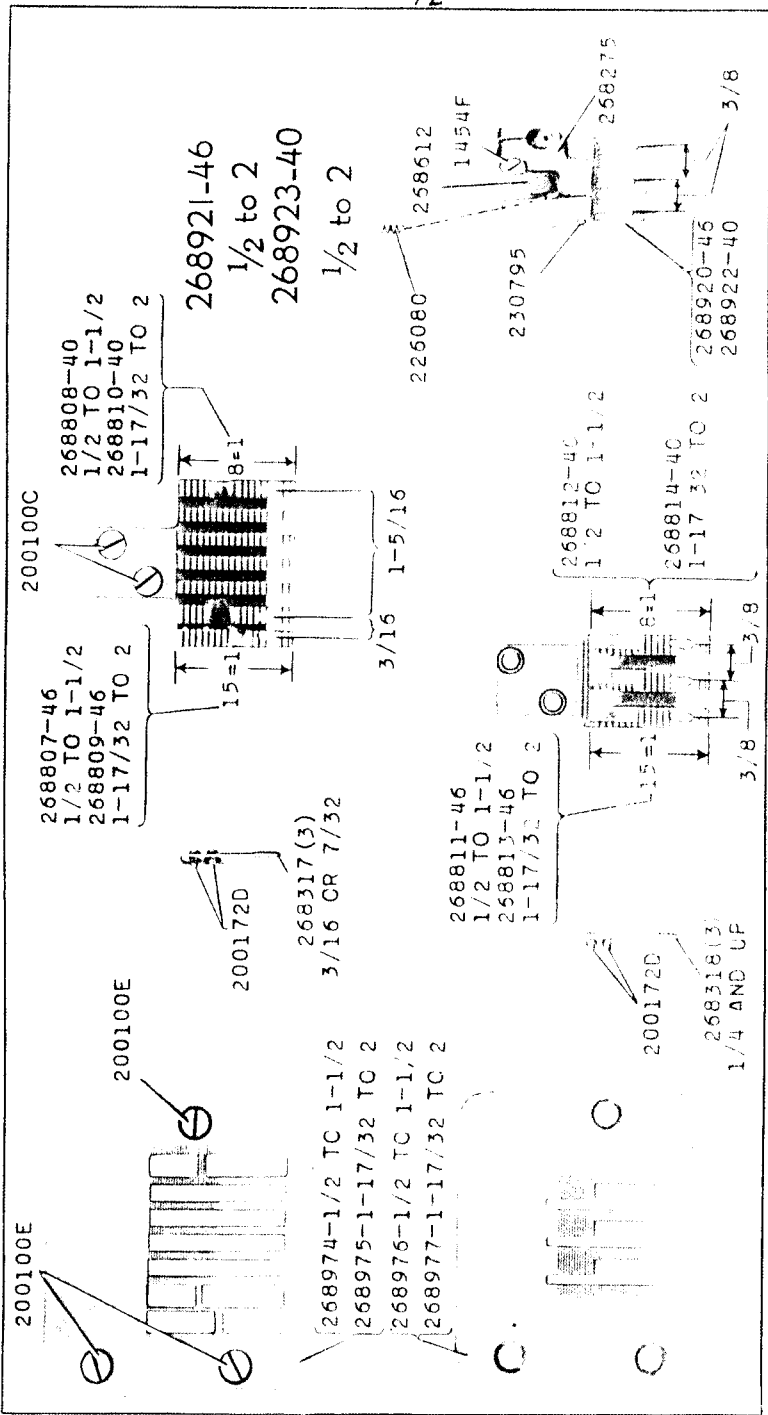




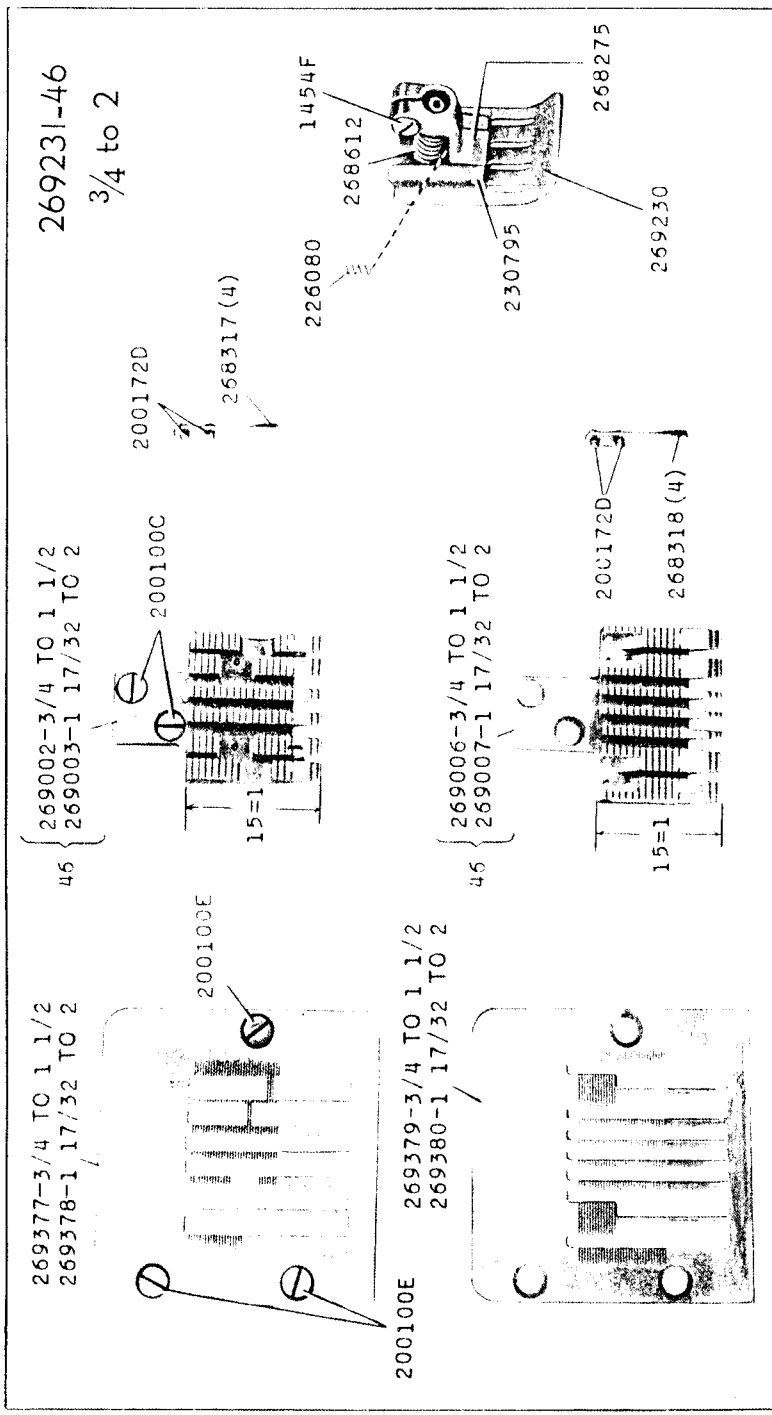


18660-1/2

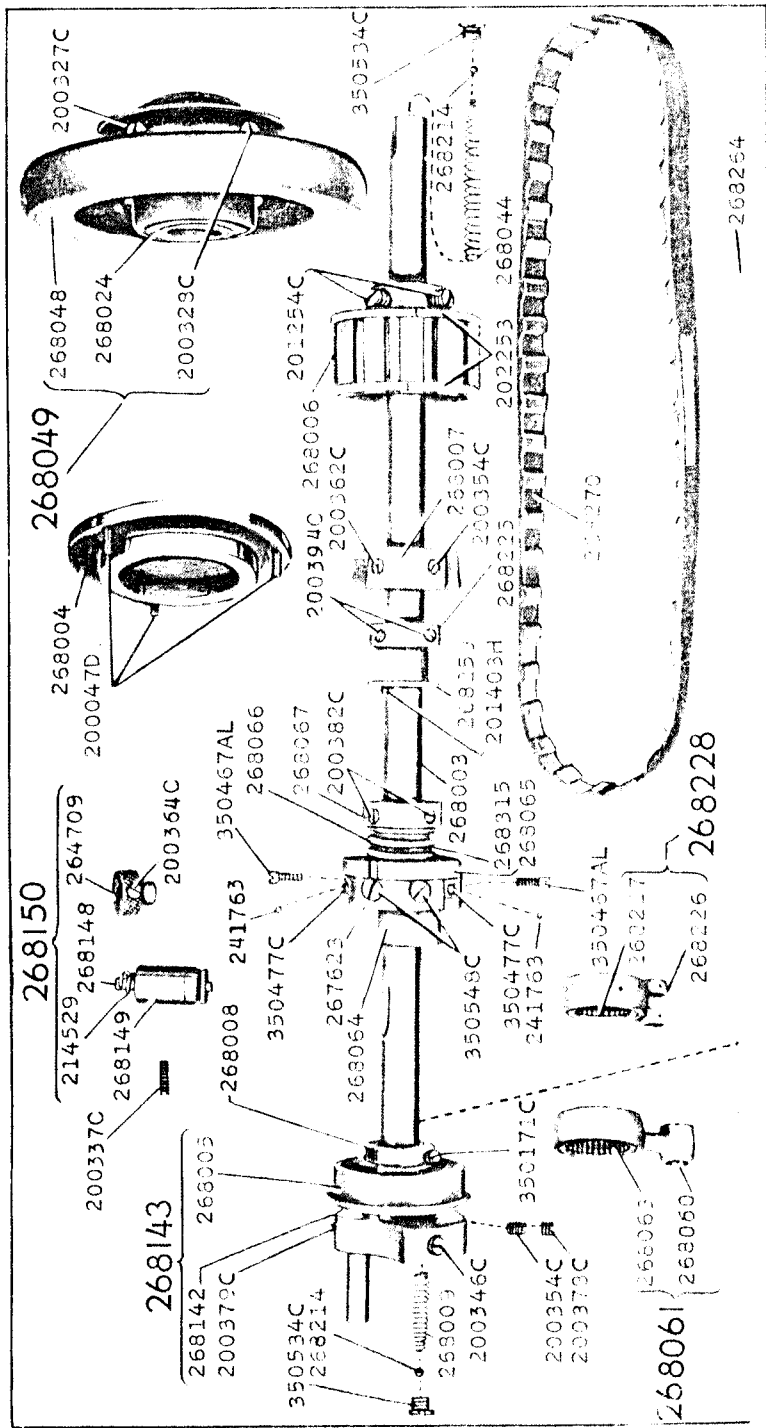
18661-1/2



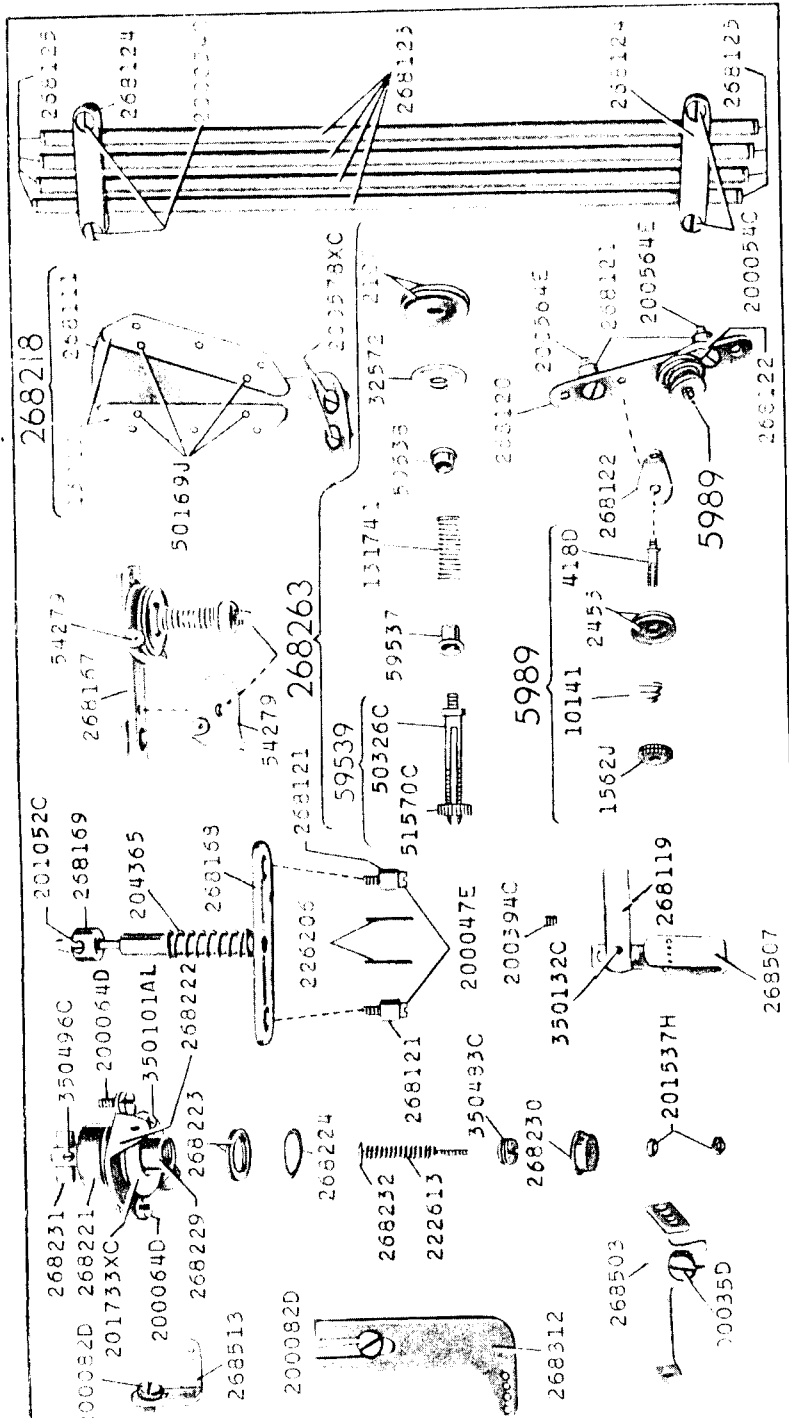
18662-1/2



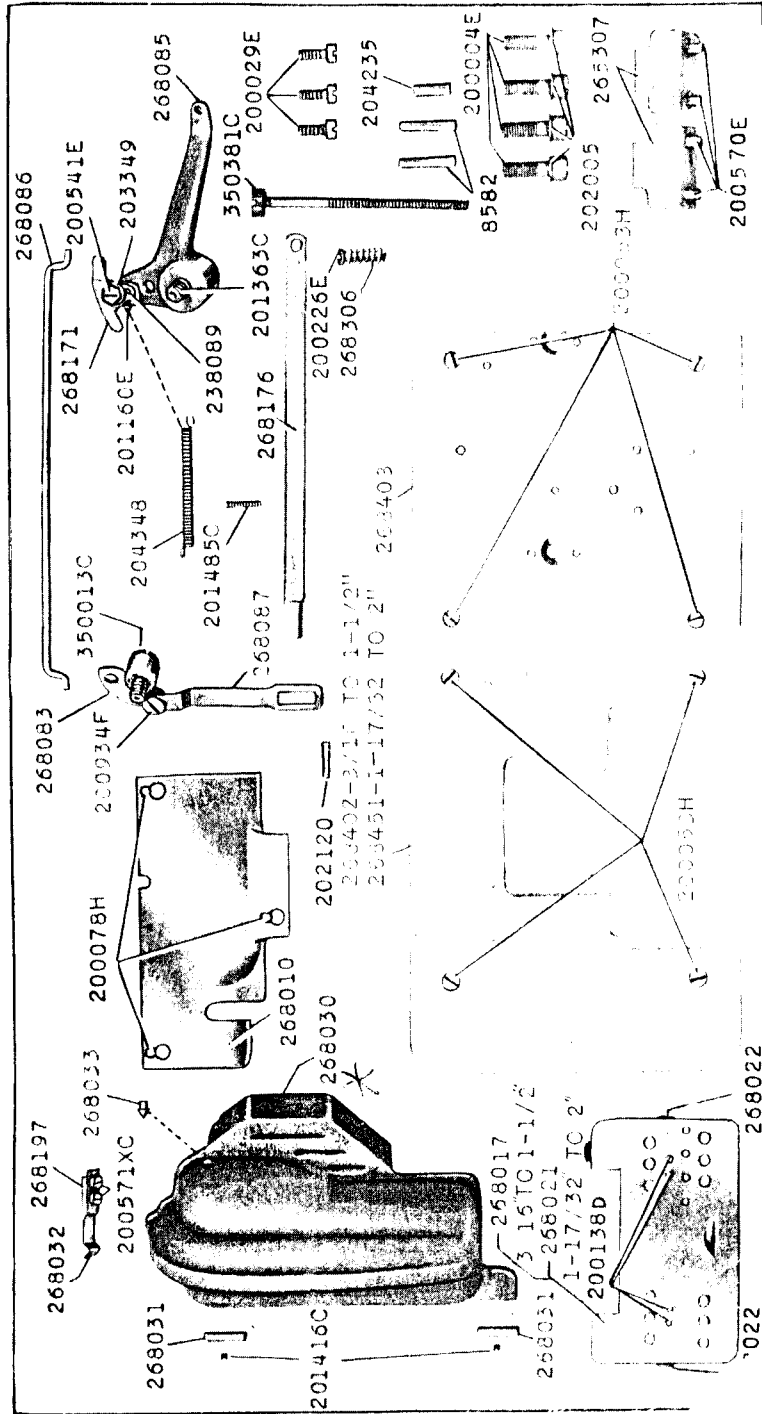
18670-1/3



18674-3/8



18678-1/4



268022
* INSIDE GRM 268022

18680-1/2

