

Singer 71-3

Singer 71-4

FORM 1582w
REVISED
JULY, 1921

LIST OF PARTS



MACHINES
Nos. 71-3 and 71-4

THE SINGER MANUFACTURING COMPANY

COPYRIGHT, U. S. A., 1915, 1916 AND 1918
BY
THE SINGER MANUFACTURING CO.
ALL RIGHTS RESERVED FOR ALL COUNTRIES

INDEX

	PAGE
ACCESSORIES	23
BOBBIN WINDER	23
GUIDES	27
IRON BASE	24
KNIVES	27
KNIFE GRINDER	30
MACHINE No. 71-3	7
" " 71-4	22
MISCELLANEOUS PARTS	28
NUMERICAL LIST OF PARTS	33
OBSOLETE PARTS	32
PARTS REQUIRED FOR MACHINES WHEN SET IN PAIRS ..	28
TABLE BELT GUIDES	25
THREAD UNWINDER	25
TREADLE	26

INSTRUCTIONS FOR ORDERING

In ordering from this list, use **ONLY** the **PART** number in the **FIRST** column.

The number stamped on a Sewing Machine part is in every case the number of the single part only.

Every combination of parts sent out as such has its specific number, which, although not stamped on the parts, must be used when ordering the combination.

Each number always indicates the **SAME PART** in whatever list it appears, or for whatever machine.

The letters after some of the numbers indicate the style of finish only, as follows:

- A. Hardened, Polished and Plated.
- B. Polished and Plated.
- C. Hardened only.
- D. Polished only.
- E. Soft, not Polished.
- F. Hardened and Polished.
- G.
- H. Blued.
- J. Plated only.
- K. Hardened and Plated.
- L. Brass or Gilt
- M. Oxidized.
- P. Japanned.
- R. Parkerized.

These letters **MUST BE USED** when they appear in the list, and **AFTER** the number as in the list.

In this series

- 1 to 1500 and 50001 to 51500 are Screw Numbers.
- 1501 to 1800 are Nut Numbers.
- 1801 to 2000 are Roller Numbers.
- 2001 to 50000 and 52001 and upward are numbers of Machine Parts.

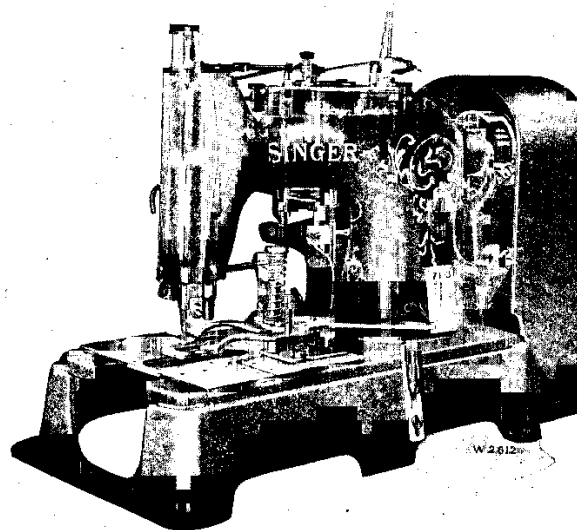
The figures in the second column refer only to the plates illustrating the parts, and are **NOT TO BE USED** in ordering

Parts marked with an asterisk (*) are furnished only when repairs are made at factory.

When ordering parts which differ as to **GAUGE** (the distance between seams) the **GAUGE** as well as the **NUMBER MUST BE GIVEN** on order.

LIST OF PARTS COMPLETE

FOR



MACHINE No. 71-3

Makes Purl Stitch, Barred Ends, Knives from $\frac{1}{2}$ to $1\frac{1}{2}$ in. Long. Cuts After Stitching.

No.	Plate	Name
*23351	—	Arm with 24081
8582	4013	" Dowel Pin (2)
748E	4025	" Screw (back) (2)
868E	4025	" " (front) (2)
23352	4030	" Shaft
*24081	—	" Bushing (front)
12357	4000	" " Flanged Bushing (back) ..
435c	4096	" " " " " " Set Screw
4784	4013	Arm Shaft Oil Pad
1069D	4025	" " Screw
12193	4000	" Side Cover
703D	4025	" " " Thumb Screw
39640	4095	" Top Cover
808F	4025	" " " Screw (3)

Parts for Machine No. 71-3

No.	Plate	Name
23562	4002	Barring Cam with two 858c
858c	4002	" " Set Screw
39844	4096	" Indicator
1223c	4003	" " Stud
1589c	4003	" " " Thumb Nut
23563	4002	" Lever
23564	4002	" " Catch with 1226c
1276c	4002	" " " Hinge Screw
1226c	4002	" " " Position Stud
23565	4002	" " " Spring
805c	4002	" " " " Screw
8905	4002	" " " " " Washer
39616	4004	" " " Stud
39617	4004	" " " " Rivet (long) ..
39618	4004	" " " " " (short) ..
1227c	4002	" " Hinge Screw
1655c	4002	" " " " Nut
23566	4002	" " Spring
124f	4002	" " Stop Screw
1518E	4002	" " " " Nut
23361	4003	" Ratchet Pawl
1248c	4003	" " " Hinge Screw
23362	4003	" " " Spring
93H	4003	" " " " Screw
15072	4003	" " " " Stop Pin ..
23544	4003	" " Retaining Pawl (hinge screw end)
23545	4003	Barring Ratchet Retaining Pawl (wheel end)
203c	4003	Barring Ratchet Retaining Pawl Ad- justing Screw
23546	—	Barring Ratchet Retaining Pawl (ad- justable) complete, Nos. 203c, 23544 and 23545
999F	4003	Barring Ratchet Retaining Pawl Hinge Screw
23364	4003	Barring Ratchet Retaining Pawl Spring
240D	4003	Barring Ratchet Retaining Pawl Spring Screw
23664	4003	Barring Ratchet Wheel
23665	4003	" " " Spring
1286c	4003	" " " " Screw
23666	4003	" " " " Washer
23367	4003	" " " Tripping Point
193F	4003	" " " " " "
		Screw
7071	4003	Barring Ratchet Wheel Tripping Point Screw Washer

Parts for Machine No. 71-3

No.	Plate	Name
23369	4001	Barring Stop Arm
23370	4003	" Tripping Lever
856c	4003	" " " Hinge Screw ..
*39535	—	Bed
39538	4032	" Oil Guard
1235F	4009	" " " Screw (2)
39539	4039	Clamp Arm
625F	4009	" " Adjusting Screw
1547D	4009	" " " " Nut ..
39540	4039	" " Bracket with 196F
191c	4022	" " " Screw
39541	4040	" " " " Washer ..
23379	4007	" " Hinge Block
23380	4007	" " " " Pin
196F	4007	" " " " " Set Screw
402D	4007	Clamp Arm Screw
39542	4039	" Carrier
40006	4004	" " Block with 40007 and four 404D
40007	4004	Clamp Carrier Block Plate
404D	4007	" " " " Screw
23384	4007	" " Connecting Rod
52c	4007	" " " " Hinge Screw
39591	4004	Clamp Carrier Guide (left)
756D	4004	" " " " " Screw (long)
23385	4007	Clamp Carrier Guide (right)
1230F	4007	" " " " " Screw (3)
23386	4006	" " Plate
1231F	4007	" " " Screw (back) (2)
404D	4007	" " " " (front) (2)
39543	4039	" " Regulator with 233D and 201895
1232c	4007	Clamp Carrier Regulator Hinge Screw
201894	4096	" " " Roller
201895	4096	" " " " 201894 with 1520E, 201426c and 201427c
201427c	4096	Clamp Carrier Regulator Roller Cap Screw
201426c	4096	Clamp Carrier Regulator Roller Screw Stud
1520E	4012	Clamp Carrier Regulator Roller Screw Stud Nut
39544	4042	Clamp Carrier Regulator Slide
1347c	4009	" " " Stud (to regu- late length of buttonhole)

Parts for Machine No. 71-3

No.	Plate	Name
1671c	4009	Clamp Carrier Regulator Stud Nut
39532	4009	" " " " Sleeve
233D	4007	" " " " Stop Screw
39614	4095	Clamp Carrier Slide with 39591 and three 756D
23392	4008	Clamp Carrier Slide Guide (left)
914F	4008	" " " " Screw (2)
23393	4008	Clamp Carrier Slide Guide (right)
914F	4008	" " " " Screw (2)
23394	4005	Clamp Carrier Slide Lever with 201895
23395	4005	Clamp Carrier Slide Lever Regulator
23396	4008	" " " " Cap
223D	4008	Clamp Carrier Slide Lever Regulator Cap Screw (4)
67D	4008	Clamp Carrier Slide Lever Regulator Screw
201894	4096	Clamp Carrier Slide Lever Roller
201895	4096	" " " " " 201894 with 1520E, 201426c and 201427c
201427C	4096	Clamp Carrier Slide Lever Roller Cap Screw
201426C	4096	Clamp Carrier Slide Lever Roller Screw Stud
1520E	4012	Clamp Carrier Slide Lever Roller Screw Stud Nut
7278	4008	Clamp Carrier Slide Lever Socket Joint
1234C	4008	Clamp Carrier Slide Regulating Stud
23397	4008	" " " " Bushing
1658C	4008	Clamp Carrier Slide Regulating Stud Thumb Nut
1256D	4008	Clamp Carrier Slide Screw (2)
39546	4040	" Check, for 1 1/2 in. buttonhole
39547	4040	" " Adjusting Plate
219F	4008	" " " " Screw
109D	4008	" " Hinge Screw
39548	4040	" " Holder
1297F	4045	" " " Screw
39717	4039	" Lifting Arm
1235F	4009	" " " Screw
39550	4042	" Plate
1235F	4009	" " Screw (4)
23573	4005	" " Support

Parts for Machine No. 71-3

No.	Plate	Name
402D	4007	Clamp Plate Support Screw (2)
23574	4009	" Post
1659C	4009	" Pressure Regulating Thumb Nut
39514	4020	" Spring
23693	4009	" " Bushing
1294C	4009	" " " Position Stud
1550H	4009	" " " " " Nut
39551	—	Clamp complete, Nos. 1294C, 1550H, 1659C, 23379, 23380, 23574, 23693 to 23695, 39514, 39539, 39540, 39546 to 39548, 39550, 39717, two each 109D, 625F, 1297F, 1547D, three each 219F, 402D, 1235F, four each 191C and 39541
24023	4000	Crank Connecting Rod with 24085 and two 896E
*24085	—	Crank Connecting Rod Cap
896E	4025	" " " " Screw
908C	4025	" " " " Hinge Screw
1619E	4025	" " " " " Nut
23406	4000	Face Plate
217F	4025	" " Screw (2)
23407	4001	Feed Connecting Rod (lower)
375C	4025	" " " " Hinge Screw
1518E	4002	Feed Connecting Rod (lower) Hinge Screw Nut
23408	4001	Feed Connecting Rod (upper) with 12204 and two 966E
*12204	—	Feed Connecting Rod (upper) Cap
966E	4025	" " " " " Screw
23409	4001	Feed Disengaging Lever
1275C	4003	" " " " Hinge Screw
1521E	4003	" " " " " Nut
23557	4001	Feed Disengaging Lever Spring
23412	4013	" Eccentric with 448C
448C	4015	" " Set Screw
23413	4000	" Hand Ratchet Lever with 214D and 1049C
23414	4013	Feed Hand Ratchet Lever Collar with two 453C
453C	4013	Feed Hand Ratchet Lever Collar Set Screw
39567	—	Feed Hand Ratchet Lever Pawl Body with 214D

Parts for Machine No. 71-3

No.	Plate	Name
1257c	4012	Feed Wheel Tripping Lever Hinge Screw
23587	4012	Feed Wheel Tripping Lever Point
203c	4003	" " " " " "
		Screw (2)
23435	4013	Feed Wheel Tripping Lever Spring
190d	4013	" " " " " "
		Screw
179f	4004	Feed Wheel Tripping Lever Stop Screw
23432	4012	Feed Wheel Tripping Point
220d	4012	" " " " Screw
23447	—	Knife, $\frac{1}{2}$ inch
23448	—	" $\frac{3}{8}$ inch
23449	—	" $\frac{1}{2}$ inch
23450	—	" $\frac{1}{2}$ inch
23451	4014	" $\frac{3}{4}$ inch
23452	—	" $\frac{1}{2}$ inch
23453	—	" $\frac{3}{4}$ inch
23454	—	" $\frac{1}{2}$ inch
23455	—	" 1 inch
23456	—	" $1\frac{1}{16}$ inch
23457	—	" $1\frac{1}{8}$ inch
23458	—	" $1\frac{1}{8}$ inch
23459	—	" $1\frac{1}{4}$ inch
39555	—	" $1\frac{1}{8}$ inch
39556	—	" $1\frac{1}{8}$ inch
39557	—	" $1\frac{1}{8}$ inch
39558	—	" $1\frac{1}{2}$ inch
23460	4010	" Bar
23461	4015	" " Connecting Link
1239f	4015	" " " " Hinge Cap Screw
1240c	4015	Knife Bar Connecting Link Hinge Screw
23462	4015	Knife Bar Connecting Stud with 1319f
1319f	4015	Knife Bar Connecting Stud Clamping Screw
23463	4015	Knife Bar Disengaging Lever
23464	4015	" " " " Catch with 1963
23465	4015	Knife Bar Disengaging Lever Catch Bracket
157d	4015	Knife Bar Disengaging Lever Catch Bracket Screw (2)
90c	4013	Knife Bar Disengaging Lever Catch Hinge Screw

Parts for Machine No. 71-3

No.	Plate	Name
1963	4015	Knife Bar Disengaging Lever Catch Roller and Stud
23468	4015	Knife Bar Disengaging Lever Catch Spring
1241E	4015	Knife Bar Disengaging Lever Catch Spring Screw Stud (2)
23466	4015	Knife Bar Disengaging Lever Catch Tripping Point
23467	4015	Knife Bar Disengaging Lever Catch Tripping Point Collar with two 448c
448c	4015	Knife Bar Disengaging Lever Catch Tripping Point Collar Set Screw
175d	4015	Knife Bar Disengaging Lever Catch Tripping Point Screw
90c	4013	Knife Bar Disengaging Lever Hinge Screw
23606	4015	Knife Bar Disengaging Lever Spring
1242E	4015	" " " " " " Screw (2)
240d	4003	Knife Bar Disengaging Lever Stop Screw
23469	4010	Knife Bar Driving Lever
1290c	4014	" " " " Hinge Screw
1428c	4014	" " " " Screw Stud
1520E	4012	" " " " " " Nut
23681	4014	Knife Bar Driving Lever Spring
805c	4002	" " " " " Screw
23470	4010	" " " " (intermediate)
23471	4014	" " " " " " Connecting Link
54c	4014	Knife Bar Driving Lever (intermediate) Connecting Link Hinge Screw
1222c	4014	Knife Bar Driving Lever (intermediate) Hinge Screw
1959	4014	Knife Bar Driving Lever (intermediate) Roller and Screw Stud with 229d and 12424
229d	4014	Knife Bar Driving Lever ((intermediate) Roller Cap Screw
12424	4014	Knife Bar Driving Lever (intermediate) Roller Cap Screw Washer
23682	4014	Knife Bar Spring
39566	4014	" " Stop
39565	—	Knife Bar Stop complete, Nos. 1673c, 23548 and 39566
1673c	4014	Knife Bar Stop Lock Nut
23548	4014	" " " Plug (fibre)

Parts for Machine No. 71-3*

No.	Plate	Name
4784	4013	Oscillating Rock Shaft Oil Pad
39655	4051	" Shaft
39656	4023	" " Bushing (back)
24047	4013	" " " (front)
39657	—	" " Crank
39692	4023	Oscillating Shaft Crank complete, Nos. 1636E, 15171, 39657 and two 1253C
1253C	4023	Oscillating Shaft Crank Set Screw ..
15170	4023	" " " Slide Block
229D	4014	" " " " " "
		Cap Screw
12424	4014	Oscillating Shaft Crank Slide Block Cap Screw Washer
1035C	4017	Oscillating Shaft Crank Slide Block Screw Stud
1636E	4017	Oscillating Shaft Crank Slide Block Screw Stud Nut
15171	4023	Oscillating Shaft Crank Slide Block complete, Nos. 229D, 1035C, 12424 and 15170
23497	4019	Pulley (loose)
40024	4035	" (tight)
39927	—	" 40024 with 40025
23499	4019	" (tight) Counterbalance
28034	4020	" " " Rivet
40025	4004	" " Pin
23500	4017	Shuttle Bobbin
15140	4017	" " Case Latch
2973	4017	" " " " Lever
2974	4017	" " " " " Ful- crum Pin
15141	—	Shuttle Bobbin Case Hinge, Nos. 2973, 2974 and 15140
2975	4017	Shuttle Bobbin Case Latch Spring ...
592E	4017	" " " " Stop Screw
23501	4017	" " " Position Finger
2523	4017	" " " " "
		Rivet
23502	4017	Shuttle Bobbin Case complete, Nos. 591F, 592E, 2523, 2975, 15141, 23501 and 23680
23503	4017	Shuttle Body
591F	4017	" Tension Regulating Screw
23680	4017	" " Spring
23504	4017	" 1 1/8 in. diam., Nos. 23500, 23502 and 23503
23505	4017	Shuttle Driver with 462C
2269	4017	" " Pin

Parts for Machine No. 71-3

No.	Plate	Name
462C	4017	Shuttle Driver Set Screw
39969	4018	" Race Back
2532	4018	" " " Position Pin
2533	4018	" " " Spring
648D	4018	" " " Screw
*23506	—	" " Body
39904	—	" " " 23506 with 7326 and two 662D
7326	4018	Shuttle Race Cap
662D	4018	" " " Screw
39970	4018	Shuttle Race complete, Nos. 648D, 2533, 39904, 39969 and two 2532 ..
145F	4018	Shuttle Race Screw (2)
23509	4019	Starting Lever
717C	4020	" " Adjusting Screw
1520E	4012	" " " " Nut ..
23556	4007	" " Belt Shifter
159F	4020	" " " " Screw
23510	4019	" " Bracket
8582	4013	" " " Dowel Pin (2)
123E	4020	" " " Screw
23511	4019	" " Rod
61C	4020	" " Hinge Screw
564C	4020	" " Screw Center (2)
1508E	4020	" " " " Nut (2) ..
14174	4020	" " Spring
124F	4002	" " Stop Screw
1518E	4002	" " " " Nut
39628	4096	Stop Cam with 39629
39580	4019	" " Interlocking Rod
23514	4020	" " " " Guide with 1070C and 1959
1070C	4020	Stop Cam Interlocking Rod Guide Set Screw
21650	4021	Stop Cam Interlocking Rod Guide Washer (rawhide)
21651	4021	Stop Cam Interlocking Rod Spring ..
913C	4021	" " " " " Reg- ulating Thumb Screw
1638E	4021	Stop Cam Interlocking Rod Spring Regulating Thumb Screw Nut
39629	4096	Stop Cam Pin
23515	4021	" " Spring (long)
23516	4021	" " " (short)
23517	4019	" " " Cover with 23499, two each 9780 and 28034
9780	4021	Stop Cam Spring Cover Position Pin
997E	4021	" " " " Screw (2) ..
39637	4021	" " " Stop Block
1349C	4004	" " " " Screw

Parts for Machine No. 71-3

No.	Plate	Name
39638	4021	Stop Cam Spring Stop Screw Block
457c	4012	" " " " " Set
		Screw
23518	4010	Stop Lever
78D	4004	" " Hinge Screw
9540	4021	" " Spring
2102	4022	Tension (side of arm) Disc (2)
1560c	4022	" " " " " Regulating
		Thumb Nut
23519	4022	Tension (side of arm) Releaser with
		200F
39901	—	Tension (side of arm) Releaser 23519
		with 2269, 23520 and 39560
200F	4022	Tension (side of arm) Releaser Set
		Screw
23520	4022	Tension (side of arm) Releaser Shaft
23641	4020	" " " " " " "
		Arm
23694	4022	Tension (side of arm) Releaser Shaft
		Arm Connection
23695	4022	Tension (side of arm) Releaser Shaft
		Arm Connection Bracket
191c	4022	Tension (side of arm) Releaser Shaft
		Arm Connection Screw
39541	4040	Tension (side of arm) Releaser Shaft
		Arm Connection Screw Washer ...
39560	4040	Tension (side of arm) Releaser Shaft
		Arm Hub
2269	4017	Tension (side of arm) Releaser Shaft
		Arm Hub Pin
413D	4022	Tension (side of arm) Screw Stud ..
8238	4052	" " " " " Spring
23669	4022	" " " " " Thread Guard
460c	4013	" " " " " " "
		Set Screw
32012	4052	Tension (top cover) Disc (2)
1560c	4022	" " " " " Regulating Thumb
		Nut
39641	4052	Tension (top cover) Releaser
1387c	4052	" " " " " Guide
		Screw Stud
1521E	4003	Tension (top cover) Releaser Guide
		Screw Stud Nut
39632	4052	Tension (top cover) Releaser Holder
		with 201F
999F	4003	Tension (top cover) Releaser Holder
		Hinge Screw
201F	4052	Tension (top cover) Releaser Set
		Screw

Parts for Machine No. 71-3

No.	Plate	Name
32572	4052	Tension (top cover) Releasing Disc
39642	4052	" " " " " Lever
68D	4052	" " " " " " "
		Hinge Screw
39635	4052	Tension (top cover) Releasing Pin ..
1388F	4052	" " " " " Screw Stud
2103	4022	" " " " " Spring
39636	4052	" " " " " Thread Eyelet
		(double)
217F	4025	Tension (top cover) Thread Eyelet
		Screw
39711	4007	Thread Guiding Stud (side of arm) ..
460c	4013	" " " " " Set Screw
39712	4007	" " Retainer Holder with 462c
1664D	4007	" " " " " Nut
12400	4022	" " " " " Sleeve
39713	4007	" " " " " Spring
12402	4022	" " " " " Stud
462c	4017	" " " " " Set Screw
39714	—	Thread Retainer complete, Nos. 1664D,
		12400, 12402, 39712 and 39713
23523	4023	Thread Take-up Crank
1036c	4023	" " " " " Position Screw
1253c	4023	" " " " " Set Screw
23524	4023	" " " " " Lever
12166	4023	" " " " " Hinge Pin
23543	4023	" " " " " Link
11204	4023	" " " " " Hinge Pin
435c	4096	" " " " " " " "
		Set Screw
23525	—	Thread Take-up Lever complete, Nos.
		12166, 23524 and 23543
4784	4013	Thread Take-up Lever Oil Pad
7335	4022	" " " " " Spring
23526	4022	" " " " " Regulator
446c	4025	" " " " " Set Screw

No.	Plate	Name
27302	4029	Frame
32D	4025	" Hinge Screw
27917	4024	" Spring
27918	4029	Pulley
27538	4029	Spindle with 15072
27919	4029	Stop Latch
35D	4025	" " Hinge Screw
27920	4029	Tension Bracket with 452c
27921	4029	Tension Bracket complete, Nos. 5989, 10145, 27920 and 27922
135D	4025	Tension Bracket Screw
2455	4024	" Disc
1562J	4024	" Regulating Thumb Nut
418D	4024	" Screw Stud
10141	4024	" Spring
10145	4024	" Thread Guide
5989	—	Tension complete, Nos. 418D, 1562J, 10141 and two 2455
27922	4029	Thread Eyelet Rod
452c	4025	" " " Set Screw
27923	4029	Bobbin Winder, Nos. 32D, 35D, 27302, 27538, 27914 and 27917 to 27919 ..
27924	—	Bobbin Winder (swinging automatic, right hand) complete, Nos. 135D, 27915, 27921, 27923 and four 389F

IRON BASE

39910	4082	Bed Frame with two each 16555, 19398, four each 158E, 24106, six 14010 and four wood screws 1½ in., No. 12
24106	4024	Bed Frame Cushion (felt)
158E	4024	" " " Screw
19226	4024	" " Hinge Connection
19398	—	" " " " 19226 with 211F and 19397
19397	4024	Bed Frame Hinge Connection Cap
211F	4024	" " " " " " " Screw
16555	4024	Bed Frame Hinge Plate
14010	4024	" " " " " Rivet
39911	4084	Splash Guard with 201655
39912	4083	" " Hinge
200574E	11658	" " " Screw
201655	11658	" " Locking Screw Wing Nut
39913	—	Bed Frame and Splash Guard com- plete, Nos. 39910, 39911, two 39912 and eight 200574E

TABLE BELT GUIDES

No.	Plate	Name
23536	4031	Belt Guide with two 168E
168E	4025	" " Set Screw
14229	4047	Bracket with 448c
23538	4031	Pulley
39708	4047	" Shaft with 853c
858c	4002	" " Oil Hole Plug Screw
448c	4015	" " Set Screw
39716	4047	Table Belt Guide (single, left) com- plete, Nos. 14229, 23536, 23538, 39708 and four wood screws 1¼ in., No. 12, R.H.B.
39709	4047	Table Belt Guide (single, right) com- plete, Nos. 14229, 23536, 23538, 39708 and four wood screws 1¼ in., No. 12, R.H.B.

THREAD UNWINDER

For Two Large Spools or Two Large Cones of Thread.

27623	2837	Spool Pin
155c	4016	" " Set Screw
41530	2837	" Rest
41531	—	" " 41530 with 1149c, two each 155c and 27623
1149c	4096	Spool Rest Set Screw
27940	2837	" Stand with 453c
41514	2837	" Weight, 4 in. diam., with 41515
41515	4024	" " Center Pin
27739	2837	Thread Cone (wood)
41631	2837	" Guard with 208E and two 41569
41569	—	" " Eyelet
41637	2837	" " Rod (lower)
41638	2837	" " " (upper)
41639	2837	" " " Coupling with two 456c
456c	4096	Thread Guard Rod Coupling Set Screw
453c	4013	Thread Guard Rod Set Screw
41640	—	Thread Guard Rod complete, 30 in. long, Nos. 41637 to 41639
208E	4083	Thread Guard Set Screw
41533	2837	Thread Unwinder complete, Nos. 27940, 41531, 41631, 41640, two each 27739, 41514 and three wood screws 1 in., No. 12

TREADLE

No.	Plate	Name
14209	4030	Treadle
39569	—	" Chain, 45 in. long, with 39575 and 39576
39570	4047	Treadle Chain Guide Bracket
39571	4047	" " " Pulley
1064D	4025	" " " " Screw
39575	4024	" " " Hook (lower)
39576	4024	" " " (upper)
39572	4047	Treadle Chain Guide complete, Nos. 39570, two each 1064D, 39571 and wood screws 1½ in., No. 12, R.H.B.
23551	4024	Treadle Chain Screw Eye
7585	4010	" Shaft
14210	4030	" Stand
14211	4030	Treadle complete, Nos. 7585, 14209, 14210 and four wood screws 1½ in., No. 12

GUIDES

No.	Plate	Name
23436	4026	Guide (back), for cuffs
23550	4027	" " for shirt hands
23549	4027	" " " bosoms
23441	4026	" (corner), for collars
23439	4026	" (left), for collars
23437	4026	" " " cuffs
23440	4026	" (right), for collars
23438	4026	" " " cuffs

KNIVES

23447	—	Knife, ½ inch
23448	—	" ¾ inch
23449	—	" 1 inch
23450	—	" 1¼ inch
23451	4014	" 1½ inch
23452	—	" 1¾ inch
23453	—	" 2 inch
23454	—	" 2¼ inch
23455	—	" 2½ inch
23456	—	" 2¾ inch
23457	—	" 3 inch
23458	—	" 3¼ inch
23459	—	" 3½ inch
39555	—	" 3¾ inch
39556	—	" 4 inch
39557	—	" 4¼ inch
39558	—	" 4½ inch

MISCELLANEOUS PARTS

No.	Plate	Name
39562	4096	Clamp Check, for 1½ in. buttonhole ..
39563	4096	" " Adjusting Plate
39564	4096	" " Holder
23679	4032	Drip Pan, ¾ in. deep
39518	4007	Needle Plate, for collar and cuff work

PARTS REQUIRED FOR MACHINES WHEN SET IN PAIRS

39808	4080	Clamp Check Lifting Chain Guide Pulley
39570	4047	Clamp Check Lifting Chain Guide Pulley Bracket
39809	—	Clamp Check Lifting Chain Guide Pulley Bracket complete, Nos. 39570, two each 1064D, 39808 and wood screws 1½ in., No. 12, R.H.B.
1064D	4025	Clamp Check Lifting Chain Guide Pulley Screw
39810	4080	Rock Shaft
7539	4080	" " Hanger (back) with two wood screws 1 in., No. 10
20093	4080	Rock Shaft Hanger (front) with two wood screws 1 in., No. 10
6335	4080	Rock Shaft Knee Arm
6336	4080	" " " " 6335 with 2766 and 2767
2766	4080	Rock Shaft Knee Arm Hub with 356c
356c	4080	" " " " " Set Screw
2767	4080	" " " Plate with 356c
356c	4080	" " " " Set Screw
39813	4080	" " Starting Hook (left hand) with 39576
39811	4080	Rock Shaft Starting Hook (right hand) with 39576
6337	4080	Rock Shaft Starting Hook Bracket with two 356c
356c	4080	Rock Shaft Starting Hook Bracket Set Screw

Miscellaneous Parts

No.	Plate	Name
39815	4080	Rock Shaft Starting Hook Chain, 14½ in. long (left), with 39575
39816	4080	Rock Shaft Starting Hook Chain, 5½ in. long (right), with 39575
39571	4047	Rock Shaft Starting Hook Chain Guide Pulley
39570	4047	Rock Shaft Starting Hook Chain Guide Pulley Bracket
39572	4047	Rock Shaft Starting Hook Chain Guide Pulley Bracket complete, Nos. 39570, two each 1064D, 39571 and wood screws 1½ in., No. 12, R.H.B.
1064D	4025	Rock Shaft Starting Hook Chain Guide Pulley Screw
39575	4024	Rock Shaft Starting Hook Chain Hook (lower)
39576	4024	Rock Shaft Starting Hook Chain Hook (upper)
2770	4080	Rock Shaft Stop Dog with 356c
356c	4080	" " " " Set Screw
39814	—	Rock Shaft complete (left hand), Nos. 2770, 6336, 6337, 7539, 20093, 39810 and 39813
39812	—	Rock Shaft complete (right hand), Nos. 2770, 6336, 6337, 7539, 20093, 39810 and 39811
39817	—	Rock Shaft and Treadle Chain Guide Combination complete, for left hand machines when set in pairs, Nos. 39572, 39814 and 39815
39818	—	Rock Shaft and Treadle Chain Guide Combination complete, for right hand machines when set in pairs, Nos. 39809, 39812 and 39816

KNIFE GRINDER

No.	Plate	Name
39886	—	Emery Wheel, 4 in. diameter
39887	4083	" " Driving Shaft
201510D	11658	" " " " Nut
204101	11658	" " " " Washer
39888	4083	Emery Wheel Driving Shaft Oil Hole Cover
200283c	11658	Emery Wheel Driving Shaft Oil Hole Cover Screw
206963	11658	Emery Wheel Driving Shaft Pulley with two 200403c
200403c	11658	Emery Wheel Driving Shaft Pulley Set Screw
206969	—	Emery Wheel Washer (paper)
39889	4082	Knife Grinder Frame
39890	4086	" Holder (adjustable)
57c	4083	" " Hinge Screw
39891	4083	" " Indicator
203094	11658	" " " Position Pin
200165H	11658	" " " Screw
39892	4086	" " Slide Bracket with 200386c
201298c	11658	" " " Adjusting Screw
39893	4086	Knife Holder Slide Bracket Adjusting Screw Slide Plate
200577H	11658	Knife Holder Slide Bracket Adjusting Screw Slide Plate Screw
10249	4083	Knife Holder Slide Bracket Adjusting Screw Tension Spring
219F	4008	Knife Holder Slide Bracket Adjusting Screw Tension Spring Screw
200386c	11658	Knife Holder Slide Bracket Set Screw
39894	4086	Knife Holder Slide Bracket Shaft ..
206232	11658	" " " " " Collar with 201052c
201052c	11658	Knife Holder Slide Bracket Shaft Collar Set Screw
771D	4083	Knife Holder Thumb Screw
9525	4083	" " " " Washer ..
39895	4083	" Holding Spring
39896	4083	" " Bracket
204264	11658	" " " " Position Pin

No.	Plate	Name
176D	4083	Knife Holding Spring Bracket Screw
204264	11658	" " " Position Pin
793D	4083	" " " Thumb Screw ..
39897	4083	" Stop (adjustable)
208D	4083	" " Screw
39898	—	Knife Grinder complete, Nos. 57c, 176D, 208D, 219F, 771D, 793D, 9525, 10249, 39886 to 39897, 200165H, 200283c, 201298c, 201510D, 203094, 204101, 206963, two each 200577H, 204264, 206232, 206969 and three wood screws 1½ in., No. 12

OBSOLETE PARTS

No.	Plate	Name
23630	4003	Barring Indicator
23529	4031	Bed Frame with two each 16555, 19398, four each 153E, 24106, six 14010 and four wood screws 1½ in., No. 12
23373	4030	Belt Cover
39582	4095	" " Bracket
23374	4000	" " "
23375	4000	" " Hinge Block with 460c ...
23376	4000	" " " " Pin
39531	4095	Clamp Carrier
39534	4023	Knife Holder, for Machine No. 71-4 ..
24043	4006	Oscillating Rock Shaft
23493	—	Oscillating Rock Shaft complete, Nos. 4784, 23494 and 24043
23417	4005	Oscillating Shaft
24046	4013	" " Bushing (back)
23495	—	" " Crank
23496	4017	Oscillating Shaft Crank complete, Nos. 231c, 1636E, 23495 and 24050
19448	4017	Oscillating Shaft Crank Slide Block
24050	4017	Oscillating Shaft Crank Slide Block complete, Nos. 229D, 1035c, 12424 and 19448
40032	4004	Stop Cam Spring Stop Screw Block
23537	4031	Table Belt Guide Bracket with 448c
23539	4031	" " " Pulley Shaft with 436c
23540	4031	Table Belt Guide (double) complete, Nos. 23537, 23539, two each 23536, 23538 and four wood screws 1½ in., No. 12, R.H.B.

NUMERICAL LIST OF PARTS

No.	Plate	Name
32D	4025	Bobbin Winder Frame Hinge Screw, for 27923
35D	4025	Bobbin Winder Stop Latch Hinge Screw, for 27923
52c	4007	Clamp Carrier Connecting Rod Hinge Screw
54c	4014	Knife Bar Driving Lever (intermedi- ate) Connecting Link Hinge Screw
57c	4083	Knife Grinder Knife Holder Hinge Screw, for 39898
61c	4020	Starting Lever Rod Hinge Screw ...
67D	4008	Clamp Carrier Slide Lever Regulator Screw
68D	4052	Tension (top cover) Releasing Lever Hinge Screw
78c	4004	Needle Bar Frame Connection Hinge Screw, for 39926
78D	4004	Stop Lever Hinge Screw
90D	4013	Feed Hand Ratchet Lever Pawl Hinge Screw
90c	4013	Knife Bar Disengaging Lever Catch Hinge Screw
90c	4013	Knife Bar Disengaging Lever Hinge Screw
93H	4003	Barring Ratchet Pawl Spring Screw
109D	4008	Clamp Check Hinge Screw, for 39551
123E	4020	Starting Lever Bracket Screw
124F	4002	Barring Lever Stop Screw
124F	4002	Starting Lever Stop Screw
135D	4025	Bobbin Winder Tension Bracket Screw, for 27924
145F	4018	Shuttle Race Screw
150c	4012	Feed Wheel Cap Screw
155c	4016	Thread Unwinder Spool Pin Set Screw, for 41531
157D	4015	Knife Bar Disengaging Lever Catch Bracket Screw
157c	4015	Knife Holder Screw
158E	4024	Bed Frame Cushion Screw, for 23529 and 39910
159F	4020	Starting Lever Belt Shifter Screw
162D	4025	Bed Frame Clamp Lifting Arm Stop Screw
168E	4025	Table Belt Guide Set Screw, for 23536

Numerical List of Parts

No.	Plate	Name
175D	4015	Knife Bar Disengaging Lever Catch Tripping Point Screw
176D	4083	Knife Grinder Knife Holding Spring Bracket Screw, for 39898
179E	4004	Feed Wheel Tripping Lever Stop Screw
181D	4013	Feed Rock Shaft Spring Screw
185H	4045	" Wheel Driving Lever Block Adjusting Screw Bracket Screw
190D	4013	Feed Wheel Tripping Lever Spring Screw
190C	4013	Needle Bar Frame Pitman Adjusting Screw, for 23611
191C	4022	Clamp Arm Bracket Screw, for 39551
191C	4022	Knife Screw
191C	4022	Tension (side of arm) Releaser Shaft Arm Connection Screw
193F	4003	Barring Ratchet Wheel Tripping Point Screw
196F	4007	Clamp Arm Hinge Block Pin Set Screw, for 39540 and 39554
196F	4007	Feed Wheel Driving Lever Pitman Cap Screw, for 39554
196F	4007	Needle Bar Frame Connection Stud Set Screw
200F	4022	Tension (side of arm) Releaser Set Screw, for 23519
201F	4052	Tension (top cover) Releaser Set Screw, for 39632
203C	4003	Barring Ratchet Retaining Pawl Adjusting Screw, for 23546
203C	4003	Feed Wheel Tripping Lever Point Screw
207C	4012	Feed Hand Ratchet Lever Pawl Point Screw, for 39522
208D	4083	Knife Grinder Knife Stop Screw, for 39898
208E	4083	Thread Unwinder Thread Guard Set Screw, for 41631
211F	4024	Bed Frame Hinge Connection Cap Screw, for 19398
214D	4013	Feed Hand Ratchet Lever Pawl Spring Screw, for 23413 and 39567
217F	4025	Face Plate Screw
217F	4025	Tension (top cover) Thread Eyelet Screw
219F	4008	Clamp Check Adjusting Plate Screw, for 39551

Numerical List of Parts

No.	Plate	Name
219F	4008	Knife Grinder Knife Holder Slide Bracket Adjusting Screw Tension Spring Screw, for 39898
220D	4012	Feed Wheel Tripping Point Screw, for 23698
223D	4008	Clamp Carrier Slide Lever Regulator Cap Screw
229D	4014	Knife Bar Driving Lever (intermediate) Roller Cap Screw, for 1959 ..
229D	4014	Needle Bar Frame Bell Crank Roller Cap Screw, for 1956
229D	4014	Oscillating Shaft Crank Slide Block Cap Screw, for 15171 and 24050 ..
233D	4007	Clamp Carrier Regulator Stud Stop Screw, for 39543
233D	4007	Feed Wheel Retaining Clutch Spring Screw
240D	4003	Barring Ratchet Retaining Pawl Spring Screw
240D	4003	Knife Bar Disengaging Lever Stop Screw
356C	4080	Rock Shaft Knee Arm Hub Set Screw, for 2766
356C	4080	Rock Shaft Knee Plate Screw, for 2767
356C	4080	Rock Shaft Starting Hook Bracket Set Screw, for 6337
356C	4080	Rock Shaft Stop Dog Set Screw, for 2770
375C	4025	Feed Connecting Rod (lower) Hinge Screw
389F	4025	Bobbin Winder Base Plate Screw, for 27924
389F	4025	Bobbin Winder Base Screw, for 27924
402D	4007	Clamp Arm Screw, for 39551
402D	4007	" Plate Support Screw
404D	4007	" Carrier Block Plate Screw, for 40006
404D	4007	Clamp Carrier Plate Screw (front) ..
404D	4007	Feed Wheel Driving Lever Plate Screw
413F	4022	Tension (side of arm) Screw Stud ..
418D	4024	Bobbin Winder Tension Screw Stud, for 5989
435C	4096	Arm Shaft Flanged Bushing (back) Set Screw
435C	4096	Thread Take-up Lever Link Hinge Pin Set Screw

Numerical List of Parts

No.	Plate	Name
446c	4025	Thread Take-up Spring Regulator Set Screw
448c	4015	Feed Eccentric Set Screw, for 23412
448c	4015	" Rock Shaft Hinge Pin Set Screw
448c	4015	Knife Bar Disengaging Lever Catch Tripping Point Collar Set Screw, for 23467
448c	4015	Oscillating Rock Shaft Hinge Pin Set Screw
448c	4015	Table Belt Guide Pulley Shaft Set Screw, for 14229 and 23537
452c	4025	Bobbin Winder Thread Eyelet Rod Set Screw, for 27920
453c	4013	Feed Hand Ratchet Lever Collar Set Screw, for 23414
453c	4013	Needle Bar Frame Driving Bevel Pinion Set Screw, for 23486
453c	4013	Thread Unwinder Thread Guard Rod Set Screw, for 27940
456c	4096	Thread Unwinder Thread Guard Rod Coupling Set Screw, for 41639 ..
457c	4012	Feed Wheel Shaft Oil Hole Plug Screw
457c	4012	Stop Cam Spring Stop Screw Set Screw
460c	4013	Belt Cover Hinge Block Pin Set Screw, for 23375
460c	4013	Feed Hand Ratchet Wheel Set Screw, for 23416
460c	4013	Tension (side of arm) Thread Guard Set Screw
460c	4013	Thread Guiding Stud Set Screw
462c	4017	Shuttle Driver Set Screw, for 23505
462c	4017	Thread Retainer Stud Set Screw, for 39712
564c	4020	Starting Lever Screw Center
591F	4017	Shuttle Tension Regulating Screw, for 23502
592E	4017	Shuttle Bobbin Case Latch Stop Screw, for 23502
602D	4045	Feed Wheel Driving Lever Block Lock Spring Screw, for 39597
625F	4009	Clamp Arm Adjusting Screw, for 39551
648D	4018	Shuttle Race Back Spring Screw, for 39970
662D	4018	Shuttle Race Cap Screw, for 39904 ..
673F	4016	Needle Bar Frame Screw Center
703D	4025	Arm Side Cover Thumb Screw

Numerical List of Parts

No.	Plate	Name
717C	4020	Starting Lever Adjusting Screw
721D	4045	Feed Wheel Retaining Clutch Spring Stop Screw
748E	4025	Arm Screw (back)
756D	4004	Clamp Carrier Guide (left) Screw (long), for 39614
769C	4045	Feed Wheel Driving Lever Block Adjusting Screw, for 39594
771D	4083	Knife Grinder Knife Holder Thumb Screw, for 39898
793D	4083	Knife Grinder Knife Holding Spring Thumb Screw, for 39898
794E	4016	Needle Bar Connecting Link Adjusting Screw, for 23476
805c	4002	Barring Lever Catch Spring Screw ..
805c	4002	Knife Bar Driving Lever Spring Screw
808F	4025	Arm Top Cover Screw
856c	4003	Barring Tripping Lever Hinge Screw
858c	4002	" Cam Set Screw, for 23562
858c	4002	Needle Bar Crank Set Screw, for 23477
858c	4002	Table Belt Guide Pulley Shaft Oil Hole Plug Screw, for 39708
868E	4025	Arm Screw (front)
873D	4013	Oscillating Rock Shaft Hinge Pin Oil Hole Stop Screw
896E	4025	Crank Connecting Rod Cap Screw, for 24028
898c	4045	Feed Wheel Driving Lever Block Adjusting Screw Clamping Screw, for 39594
898c	4045	Feed Wheel Retaining Clutch Cap Screw
904F	4004	Needle Set Screw, for 39600
908c	4025	Crank Connecting Rod Hinge Screw
913c	4021	Stop Cam Interlocking Rod Spring Regulating Thumb Screw
914F	4008	Clamp Carrier Slide Guide (left) Screw
914F	4008	Clamp Carrier Slide Guide (right) Screw
966E	4025	Feed Connecting Rod (upper) Cap Screw, for 23408
997E	4021	Stop Cam Spring Cover Screw
999F	4003	Barring Ratchet Retaining Pawl Hinge Screw
999F	4003	Tension (top cover) Releaser Holder Hinge Screw

Numerical List of Parts

No.	Plate	Name
1021E	4016	Needle Bar Connection Link Cap Screw
1035c	4017	Oscillating Shaft Crank Slide Block Screw Stud, for 15171 and 24050
1036c	4023	Thread Take-up Crank Position Screw, for 23477
1038c	4004	Needle Bar Frame Regulator Adjusting Screw
1042F	4016	Needle Bar Frame Pitman Hinge Screw
1049c	4013	Feed Hand Ratchet Lever Pawl Point Position Screw, for 39522
1049c	4013	Feed Hand Ratchet Lever Pawl Stop Screw, for 23413
1064D	4025	Clamp Check Lifting Chain Guide Pulley Screw, for 39809
1064D	4025	Treadle Chain Guide Pulley Screw, for 39572
1064D	4025	Rock Shaft Starting Hook Chain Guide Pulley Screw, for 39572 ...
1065c	4025	Needle Bar Crank Position Screw, for 23477
1069D	4025	Arm Shaft Screw
1070c	4020	Stop Cam Interlocking Rod Guide Set Screw, for 23514
1149c	4096	Thread Unwinder Spool Rest Set Screw, for 41531
1222c	4014	Knife Bar Driving Lever (intermediate) Hinge Screw
1226c	4002	Barring Lever Catch Position Stud, for 23564
1226F	4002	Needle Bar Frame Connection Spring Screw Stud, for 39926
1227c	4002	Barring Lever Hinge Screw
1228c	4003	" Indicator Stud
1230E	4007	Clamp Carrier Guide (right) Screw
1231F	4007	" " Plate Screw (back) ..
1232c	4007	" " Regulator Hinge Screw
1234c	4008	" " Slide Regulating Stud
1235F	4009	Bed Oil Guard Screw
1235F	4009	Clamp Lifting Arm Screw
1235F	4009	" Plate Screw, for 39551
1236c	4012	Feed Wheel Driving Lever Regulating Stud
1237c	4012	Feed Wheel Friction Ring Screw
1239F	4015	Knife Bar Connecting Link Hinge Cap Screw
1240c	4015	Knife Bar Connecting Link Hinge Screw

Numerical List of Parts

No.	Plate	Name
1241E	4015	Knife Bar Disengaging Lever Catch Spring Screw Stud
1242E	4015	Knife Bar Disengaging Lever Spring Screw
1243c	4014	Knife Holder Guide Stud
1244c	4016	Needle Bar Frame Cam and Bevel Gear Screw
1245c	4004	Needle Bar Frame Regulator Hinge Screw, for 39900
1248c	4003	Barring Ratchet Pawl Hinge Screw
1253c	4023	Oscillating Shaft Crank Set Screw, for 39692
1256D	4008	Clamp Carrier Slide Screw
1257c	4012	Feed Wheel Tripping Lever Hinge Screw
1258c	4023	Thread Take-up Crank Set Screw, for 23477
1275c	4003	Feed Disengaging Lever Hinge Screw
1276c	4002	Barring Lever Catch Hinge Screw ..
1286c	4003	" Ratchet Wheel Spring Screw
1290c	4014	Knife Bar Driving Lever Hinge Screw
1294c	4009	Clamp Spring Bushing Position Stud, for 39551
1297F	4045	Clamp Check Holder Screw, for 39551
1319F	4015	Knife Bar Connecting Stud Clamping Screw, for 23462
1341c	4004	Needle Bar Connecting Stud Set Screw, for 39601
1347c	4009	Clamp Carrier Regulator Stud (to regulate length of buttonhole) ..
1349c	4004	Stop Cam Spring Stop Screw
1387c	4052	Tension (top cover) Releaser Guide Screw Stud
1388F	4052	Tension (top cover) Screw Stud
1428c	4014	Knife Bar Driving Lever Screw Stud
1508E	4020	Starting Lever Screw Center Nut ..
1517E	4016	Needle Bar Frame Screw Center Nut
1518E	4002	Barring Lever Stop Screw Nut
1518E	4002	Feed Connecting Rod (lower) Hinge Screw Nut
1518E	4002	Starting Lever Stop Screw Nut
1520E	4012	Clamp Carrier Regulator Roller Screw Stud Nut, for 201895
1520E	4012	Clamp Carrier Slide Lever Roller Screw Stud Nut, for 201895
1520E	4012	Feed Wheel Friction Ring Screw Nut
1520E	4012	Knife Bar Driving Lever Screw Stud Nut
1520E	4012	Starting Lever Adjusting Screw Nut

Numerical List of Parts

No.	Plate	Name
1521E	4003	Feed Disengaging Lever Hinge Screw Nut
1521E	4003	Tension (top cover) Releaser Guide Screw Stud Nut
1547D	4009	Clamp Arm Adjusting Screw Nut, for 39551
1547C	4009	Knife Holder Screw Nut
1547D	4009	Needle Bar Frame Pitman Hinge Screw Nut
1550H	4009	Clamp Spring Bushing Position Stud Nut, for 39551
1560C	4022	Tension (side of arm) Regulating Thumb Nut
1560C	4022	Tension (top cover) Regulating Thumb Nut
1562J	4024	Bobbin Winder Tension Regulating Thumb Nut, for 5989
1589C	4003	Barring Indicator Stud Thumb Nut ..
1589C	4003	Needle Bar Frame Regulator Adjusting Screw Thumb Nut
1608C	4014	Knife Holder Guide Stud Nut
1619E	4025	Crank Connecting Rod Hinge Screw Nut
1636E	4017	Oscillating Shaft Crank Slide Block Screw Stud Nut, for 23496 and 39692
1638E	4021	Stop Cam Interlocking Rod Spring Regulating Thumb Screw Nut ..
1655E	4002	Barring Lever Hinge Screw Nut ..
1655E	4002	Needle Bar Frame Bell Crank Roller and Screw Stud Nut, for 1956 ..
1658C	4008	Clamp Carrier Slide Regulating Stud Thumb Nut
1658A	4008	Feed Wheel Driving Lever Regulating Stud Thumb Nut
1659C	4009	Clamp Pressure Regulating Thumb Nut, for 39551
1664D	4007	Thread Retainer Holder Nut, for 39714
1671C	4009	Clamp Carrier Regulator Stud Nut ..
1673C	4014	Knife Bar Stop Lock Nut, for 39565
1956	4016	Needle Bar Frame Bell Crank Roller and Screw Stud with 229D, 1655E and 23389, for 23558 and 23632 ..
1959	4014	Knife Bar Driving Lever (Intermediate) Roller and Screw Stud with 229D and 12424, for 23514
1963	4015	Knife Bar Disengaging Lever Catch Roller and Stud, for 23464

Numerical List of Parts

No.	Plate	Name
1963	4015	Needle Bar Frame Connection Roller and Stud, for 39622 and 39643 ...
2102	4022	Tension (side of arm) Disc
2103	4022	" (top cover) Spring
2117	4012	Feed Wheel Pin
2254	4045	" " Retaining Clutch
2256	4045	" " " " Spring ...
2269	4017	Shuttle Driver Pin
2269	4017	Tension (side of arm) Releaser Shaft Arm Hub Pin, for 39901
2455	4024	Bobbin Winder Tension Disc, for 5989
2523	4017	Shuttle Bobbin Case Position Finger Rivet, for 23502
2532	4018	Shuttle Race Back Position Pin, for 39970
2533	4018	Shuttle Race Back Spring, for 39970
2766	4080	Rock Shaft Knee Arm Hub with 356c, for 6336
2767	4080	Rock Shaft Knee Plate with 356c, for 6336
2770	4080	Rock Shaft Stop Dog with 356c, for 39812 and 39814
2973	4017	Shuttle Bobbin Case Latch Lever, for 15141
2974	4017	Shuttle Bobbin Case Latch Lever Fulcrum Pin, for 15141
2975	4017	Shuttle Bobbin Case Latch Spring, for 23502
3012	4013	Feed Hand Ratchet Wheel Pin
4784	4013	Arm Shaft Oil Pad
4784	4013	Oscillating Rock Shaft Oil Pad, for 23493 and 39654
4784	4013	Thread Take-up Lever Oil Pad, for 23478
5989	—	Bobbin Winder Tension complete, Nos. 418D, 1562J, 10141 and two 2455, for 27921
6335	4080	Rock Shaft Knee Arm, for 6336
6336	4080	" " " " 6335 with 2766 and 2767, for 39812 and 39814
6337	4080	Rock Shaft Starting Hook Bracket with two 356c, for 39812 and 39814
7070	4007	Feed Wheel Driving Lever Regulating Stud Sleeve
7070	4007	Needle Bar Frame Regulator Adjusting Screw Sleeve
7071	4003	Barring Ratchet Wheel Tripping Point Screw Washer

No.	Plate	Name
7071	4003	Needle Bar Frame Pitman Adjusting Screw Washer, for 23611
7278	4008	Clamp Carrier Slide Lever Socket Joint
7326	4018	Shuttle Race Cap, for 39904
7335	4022	Thread Take-up Spring
7539	4080	Rock Shaft Hanger (back) with two wood screws 1 in., No. 10, for 39812 and 39814
7585	4010	Treadle Shaft, for 14211
8238	4052	Tension (side of arm) Spring
8582	4013	Arm Dowel Pin
8582	4013	Starting Lever Bracket Dowel Pin ..
8905	4002	Barring Lever Catch Spring Screw Washer
9525	4083	Knife Grinder Knife Holder Thumb Screw Washer, for 39898
9540	4021	Stop Lever Spring
9780	4021	" Cam Spring Cover Position Pin, for 23517
10141	4024	Bobbin Winder Tension Spring, for 5989
10145	4024	Bobbin Winder Tension Thread Guide, for 27921
10249	4083	Knife Grinder Knife Holder Slide Bracket Adjusting Screw Tension Spring, for 39898
10875	4028	Wrench, for 1518 and 1520
11204	4023	Thread Take-up Lever Link Hinge Pin
11831	4028	Screw Driver, 5 in. blade (machine, large)
12166	4023	Thread Take-up Lever Hinge Pin, for 23525
12193	4000	Arm Side Cover
*12204	—	Feed Connecting Rod (upper) Cap, for 23408
12357	4000	Arm Shaft Flanged Bushing (back)
12400	4022	Thread Retainer Sleeve, for 39714 ..
12402	4022	" " Stud, for 39714
12424	4014	Knife Bar Driving Lever (intermediate) Roller Cap Screw Washer, for 1959
12424	4014	Oscillating Shaft Crank Slide Block Cap Screw Washer, for 15171 and 24050
12459	4013	Oscillating Rock Shaft Hinge Pin Oil Hole Stop Screw Washer (leather)
13218	4013	Feed Hand Ratchet Lever Pawl Spring

No.	Plate	Name
14010	4024	Bed Frame Hinge Plate Rivet, for 23529 and 39910
14017	4012	Feed Wheel Friction Ring Screw Washer
14174	4020	Starting Lever Spring
14209	4030	Treadle, for 14211
14210	4030	" Stand, for 14211
14211	4030	Treadle complete, Nos. 7585, 14209, 14210 and four wood screws 1¼ in., No. 12
14229	4047	Table Belt Guide Bracket with 448c, for 39709 and 39716
15072	4003	Barring Ratchet Pawl Spring Stop Pin
15072	4003	Bobbin Winder Bobbin Position Pin, for 27538
15140	4017	Shuttle Bobbin Case Latch, for 15141
15141	—	" " " Hinge, Nos. 2973, 2974 and 15140, for 23502
15170	4023	Oscillating Shaft Crank Slide Block, for 15171
15171	4023	Oscillating Shaft Crank Slide Block complete, Nos. 229d, 1035c, 12424 and 15170, for 39692
16555	4024	Bed Frame Hinge Plate, for 23529 and 39910
19226	4024	Bed Frame Hinge Connection, for 19398
19397	4024	Bed Frame Hinge Connection Cap, for 19398
19398	—	Bed Frame Hinge Connection 19226 with 211f and 19397, for 23529 and 39910
19448	4017	Oscillating Shaft Crank Slide Block (obsolete), for 24050
20093	4080	Rock Shaft Hanger (front) with two wood screws 1 in., No. 10, for 39812 and 39814
21650	4021	Stop Cam Interlocking Rod Guide Washer (rawhide)
21651	4021	Stop Cam Interlocking Rod Spring ..
21654	4028	Wrench, for 1508 and 1638
*23351	—	Arm with 24081
23352	4030	" Shaft
23361	4003	Barring Ratchet Pawl
23362	4003	" " " Spring
23364	4003	" " Retaining Pawl Spring
23367	4003	" " Wheel Tripping Point

Numerical List of Parts

No.	Plate	Name
23369	4001	Barring Stop Arm
23370	4003	" Tripping Lever
Nos. 23373 to 23376 (obsolete).		
23373	4030	Belt Cover
23374	4000	" " Bracket
23375	4000	" " Hinge Block with 460c ..
23376	4000	" " " " Pin
23379	4007	Clamp Arm Hinge Block, for 39551
23380	4007	" " " " Pin, for 39551
23384	4007	Clamp Carrier Connecting Rod
23385	4007	" " Guide (right)
23386	4006	" " Plate
23389	4016	Needle Bar Frame Bell Crank Roller Cap Screw Washer, for 1956
23390	4014	Knife Screw Washer
23392	4008	Clamp Carrier Slide Guide (left) ...
23393	4008	" " " " (right) ..
23394	4005	" " " Lever with 201895
23395	4005	" " " Regulator
23396	4008	" " " " Cap
23397	4008	" " " Regulating Stud Bushing
23406	4000	Face Plate
23407	4001	Feed Connecting Rod (lower)
23408	4001	" " " (upper) with 12204 and two 966E
23409	4001	Feed Disengaging Lever
23412	4013	" Eccentric with 448c
23413	4000	" Hand Ratchet Lever with 214D and 1049c
23414	4013	Feed Hand Ratchet Lever Collar with two 453c
23416	4013	Feed Hand Ratchet Wheel with 460c
23417	4005	Oscillating Shaft (obsolete)
23418	4000	Feed Rock Shaft, for 23419
23419	—	Feed Rock Shaft complete, Nos. 23418 and 23420
23420	4000	Feed Rock Shaft Hinge Pin with 23421, for 23419
23421	4013	Feed Rock Shaft Hinge Pin Plug (leather), for 23420
23421	4013	Oscillating Rock Shaft Hinge Pin Oil Hole Plug (leather), for 23494
23422	4013	Feed Rock Shaft Spring
23427	4010	" Wheel Driving Lever Plate
*23429	—	" " " " Pitman Cap, for 39554

Numerical List of Parts

No.	Plate	Name
23431	4010	Feed Wheel Shaft
23432	4012	" " Tripping Point, for 23698
23433	4010	" " " Lever
23435	4013	" " " " Spring
23436	4026	Guide (back), for cuffs
23437	4026	" (left), for cuffs
23438	4026	" (right), for cuffs
23439	4026	" (left), for collars
23440	4026	" (right), for collars
23441	4026	" (corner), for collars
23447	—	Knife, $\frac{1}{2}$ inch
23448	—	" $\frac{3}{8}$ inch
23449	—	" $\frac{5}{8}$ inch
23450	—	" $\frac{1}{2}$ inch
23451	4014	" $\frac{3}{4}$ inch
23452	—	" $\frac{1}{2}$ inch
23453	—	" $\frac{7}{8}$ inch
23454	—	" $\frac{1}{2}$ inch
23455	—	" 1 inch
23456	—	" $1\frac{1}{8}$ inch
23457	—	" $1\frac{1}{4}$ inch
23458	—	" $1\frac{3}{8}$ inch
23459	—	" $1\frac{1}{2}$ inch
23460	4010	" Bar
23461	4015	" " Connecting Link
23462	4015	" " " Stud with 1319F
23463	4015	" " Disengaging Lever
23464	4015	" " " Catch with 1963
23465	4015	Knife Bar Disengaging Lever Catch Bracket
23466	4015	Knife Bar Disengaging Lever Catch Tripping Point
23467	4015	Knife Bar Disengaging Lever Catch Tripping Point Collar with two 448c
23468	4015	Knife Bar Disengaging Lever Catch Spring
23469	4010	Knife Bar Driving Lever
23470	4010	" " " " (intermedi- ate)
23471	4014	Knife Bar Driving Lever (Intermedi- ate) Connecting Link
23473	4014	Knife Holder
23476	4016	Needle Bar Connecting Link with 794E
23477	4010	Needle Bar Crank with 858c, 1036c, 1065c and 1258c

Numerical List of Parts

No.	Plate	Name
23478	4006	Needle Bar Frame with 4784
23481	4001	" " " Cam and Bevel Gear
23483	4004	" " " Connection Spring
23484	4004	" " " " " "
		Hook
23485	4004	Needle Bar Frame Connection Stud
23486	4016	" " " Driving Bevel Pin- ion with two 453c
23491	4004	Needle Bar Frame Regulator, for 39900
23493	—	Oscillating Rock Shaft complete, Nos. 4784, 23494 and 24043 (obsolete)
23494	4006	Oscillating Rock Shaft Hinge Pin with 23421, for 23493 and 39654
23495	—	Oscillating Shaft Crank (obsolete), for 23496
23496	4017	Oscillating Shaft Crank complete, Nos. 231c, 1636E, 23495 and 24050 (obsolete)
23497	4019	Pulley (loose)
23499	4019	" (tight) Counterbalance, for 23517
23500	4017	Shuttle Bobbin, for 23504
23501	4017	" " Case Position Finger, for 23502
23502	4017	Shuttle Bobbin Case complete, Nos. 591F, 592E, 2523, 2975, 15141, 23501 and 23680, for 23504
23503	4017	Shuttle Body, for 23504
23504	4017	" 1 $\frac{1}{4}$ in. diam., Nos. 23500, 23502 and 23503
23505	4017	Shuttle Driver with 462c
*23506	—	" Race Body, for 39904
23509	4019	Starting Lever
23510	4019	" " Bracket
23511	4019	" " Rod
23514	4020	Stop Cam Interlocking Rod Guide, with 1070c and 1959
23515	4021	Stop Cam Spring (long)
23516	4021	" " " (short)
23517	4019	" " " Cover with 23499, two each 9780 and 28034
23518	4010	Stop Lever
23519	4022	Tension (side of arm) Releaser with 200r, for 39901
23520	4022	Tension (side of arm) Releaser Shaft for 39901
23523	4023	Thread Take-up Crank
23524	4023	" " Lever, for 23525 ...

Numerical List of Parts

No.	Plate	Name
23525	—	Thread Take-up Lever complete, Nos. 12166, 23524 and 23543
23526	4022	Thread Take-up Lever Spring Regu- lator
23527	4030	Drip Pan with two wood screws $\frac{1}{2}$ in., No. 5, R.H.B.
23528	4005	Bed Frame Clamp Lifting Arm Stop
23529	4031	" " with two each 16555, 19398, four each 158E, 24106, six 14010 and four wood screws 1 $\frac{1}{4}$ in., No. 12 (ob- solete)
23535	4028	Wrench, for 1671, for regulating length of buttonhole
		Nos. 23536 to 23539, for 23540.
23536	4031	Table Belt Guide with two 168E; also for 39709 and 39716
23537	4031	Table Belt Guide Bracket with 448c (obsolete)
23538	4031	Table Belt Guide Pulley; also for 39709 and 39716
23539	4031	Table Belt Guide Pulley Shaft with 436c (obsolete)
23540	4031	Table Belt Guide (double) complete, Nos. 23537, 23539, two each 23536, 23538 and four wood screws 1 $\frac{1}{4}$ in., No. 12, R.H.B. (obsolete)
23543	4023	Thread Take-up Lever Link, for 23525
23544	4003	Barring Ratchet Retaining Pawl, (hinge screw end), for 23546 ...
23545	4003	Barring Ratchet Retaining Pawl (wheel end), for 23546
23546	—	Barring Ratchet Retaining Pawl (ad- justable) complete, Nos. 203c, 23544 and 23545
23548	4014	Knife Bar Stop Plug (fibre), for 39565
23549	4027	Guide, for shirt bosoms
23550	4027	" " " bands
23551	4024	Treadle Chain Screw Eye
		Nos. 23552 to 23554, for 23555.
23552	4010	Feed Wheel Friction Ring Section (long)
23553	4010	Feed Wheel Friction Ring Section (short)
23554	4012	Feed Wheel Friction Ring Spring ..
23555	—	Feed Wheel Friction Ring complete, Nos. 23552 to 23554

Numerical List of Parts

No.	Plate	Name
23556	4007	Starting Lever Belt Shifter
23557	4001	Feed Disengaging Lever Spring
23558	4001	Needle Bar Frame Bell Crank with 1956
23562	4002	Barring Cam with two 858c
23563	4002	" Lever
23564	4002	" " Catch with 1226c
23565	4002	" " Spring
23566	4002	" " Spring
23573	4005	Clamp Plate Support
23574	4009	" Post, for 39551
23587	4012	Feed Wheel Tripping Lever Point ..
23606	4015	Knife Bar Disengaging Lever Spring
23609	—	Needle Bar Frame Pitman (regulator end), for 23611
23610	—	Needle Bar Frame Pitman (hinge screw end), for 23611
23611	4016	Needle Bar Frame Pitman (adjust- able) complete, Nos. 23609, 23610, two each 190c and 7071
23630	4003	Barring Indicator (obsolete)
23632	4035	Needle Bar Frame Bell Crank with 1956, for Machine No. 71-4
23641	4020	Tension (side of arm) Releaser Shaft Arm
23664	4003	Barring Ratchet Wheel
23665	4003	" " Spring
23666	4003	" " Washer
23667	4016	Needle Bar Frame Bell Crank Stud ..
23669	4022	Tension (side of arm) Thread Guard
23679	4032	Drip Pan, $\frac{3}{4}$ in. deep
23680	4017	Shuttle Tension Spring, for 23502 ..
23681	4014	Knife Bar Driving Lever Spring
23682	4014	" " Spring
Nos. 23693 to 23695, for 39551.		
23693	4009	Clamp Spring Bushing
23694	4022	Tension (side of arm) Releaser Shaft Arm Connection
23695	4022	Tension (side of arm) Releaser Shaft Arm Connection Bracket
23698	4035	Feed Wheel with 23432 and two 220D, for wide bight and wide cutting space, for overall work, etc.
24028	4000	Crank Connecting Rod with 24085 and two 896E
24043	4006	Oscillating Rock Shaft (obsolete), for 23493

Numerical List of Parts

No.	Plate	Name
24046	4013	Oscillating Shaft Bushing (back) (ob- solete)
24047	4013	Oscillating Shaft Bushing (front) ...
24050	4017	Oscillating Shaft Crank Slide Block complete, Nos. 229D, 1035c, 12424 and 19448 (obsolete), for 23496 ..
*24081	—	Arm Shaft Bushing (front), for 23351
*24085	—	Crank Connecting Rod Cap, for 24028
24106	4024	Bed Frame Cushion (felt), for 23529 and 39910
26026	4028	Screw Driver (machine, small), Nos. 120088 and 120090
26485	4028	Screw Driver (shuttle tension), Nos. 120092 and 120094
27302	4029	Bobbin Winder Frame, for 27923 ..
27538	4029	" " Spindle with 15072, for 27923
27623	2837	Thread Unwinder Spool Pin, for 41531
27739	2837	" " Thread Cone (wood), for 41533
27914	4029	Bobbin Winder Base with 27916 and two 28084, for 27923
27915	4029	Bobbin Winder Base Plate, for 27924
27916	4024	" " Brake (leather), for 27914
Nos. 27917 to 27919, for 27923.		
27917	4024	Bobbin Winder Frame Spring
27918	4029	" " Pulley
27919	4029	" " Stop Latch
27920	4029	" " Tension Bracket with 452c, for 27921
27921	4029	Bobbin Winder Tension Bracket com- plete, Nos. 5989, 10145, 27920 and 27922 for 27924
27922	4029	Bobbin Winder Thread Eyelet Rod, for 27921
27923	4029	Bobbin Winder, Nos. 32D, 35D, 27302 27538, 27914 and 27917 to 27919, for 27924
27924	—	Bobbin Winder (swinging automatic, right hand) complete, Nos. 135D, 27915, 27921, 27923 and four 389F
27940	2837	Thread Unwinder Spool Stand with 453c for 41533
28034	4020	Pulley (tight) Counterbalance Rivet, for 23517
28084	4024	Bobbin Winder Brake Rivet for 27914
32012	4052	Tension (top cover) Disc

Numerical List of Parts

No.	Plate	Name
32572	4052	Tension (top cover) Releasing Disc
36565	4079	Oiler (copper plated) with 36566
36566	4079	" Spout, 9 in. long, with 120117 for 36565
39504	4096	Feed Wheel Driving Lever Block Adjusting Screw Clamping Screw Washer, for 39594
39504	4096	Feed Wheel Retaining Clutch Cap Screw Washer
39514	4020	Clamp Spring for 39551
39518	4007	Needle Plate, for collar and cuff work
39522	4000	Feed Hand Ratchet Lever Pawl complete, Nos. 207c, 39523, 39567 and two 1049c
39523	4012	Feed Hand Ratchet Lever Pawl Point, for 39522
39531	4095	Clamp Carrier (obsolete)
39532	4009	" " Regulator Stud Sleeve
39534	4023	Knife Holder (obsolete), for Machine No. 71-4
*39535	—	Bed
39538	4032	" Oil Guard
		Nos. 39539 to 39541, for 39551.
39539	4039	Clamp Arm
39540	4039	" " Bracket with 196r
39541	4040	" " " Screw Washer
39541	4040	Tension (side of arm) Releaser Shaft Arm Connection Screw Washer
39542	4039	Clamp Carrier
39543	4039	" " Regulator with 233d and 201895
39544	4042	Clamp Carrier Regulator Slide
		Nos. 39546 to 39548, for 39551.
39546	4040	Clamp Check, for 1½ in. buttonhole
39547	4040	" " Adjusting Plate
39548	4040	" " Holder
39550	4042	" Plate, for 39551
39551	—	Clamp complete, Nos. 1294c, 1550h, 1659c, 23379, 23380, 23574, 23693 to 23695, 39514, 39539, 39540, 39546 to 39548, 39550, 39717, two each 109d, 625f, 1297f, 1547d, three each 219f, 402d, 1235f, four each 191c and 39541
39553	4042	Feed Wheel Driving Lever
39554	4042	" " " Pitman with 23429, 50088c and two 196r

Numerical List of Parts

No.	Plate	Name
39555	—	Knife, 1½ inch
39556	—	" 1½ inch
39557	—	" 1½ inch
39558	—	" 1½ inch
39560	4040	Tension (side of arm) Releaser Shaft Arm Hub, for 39901
39561	4042	Gauge, for ¾ to 1½ in., for setting length of buttonhole
39562	4096	Clamp Check, for 1½ in. buttonhole
39563	4096	" " Adjusting Plate
39564	4096	" " Holder
39565	—	Knife Bar Stop complete, Nos. 1673c, 23548 and 39566
39566	4014	Knife Bar Stop, for 39565
39567	—	Feed Hand Ratchet Lever Pawl Body with 214d, for 39522
39569	—	Treadle Chain, 45 in. long, with 39575 and 39576
39570	4047	Treadle Chain Guide Bracket, for 39572
39570	4047	Clamp Check Lifting Chain Guide Pulley Bracket, for 39809
39570	4047	Rock Shaft Starting Hook Chain Guide Pulley Bracket, for 39572
39571	4047	Rock Shaft Starting Hook Chain Guide Pulley, for 39572
39571	4047	Treadle Chain Guide Pulley, for 39572
39572	4047	Rock Shaft Starting Hook Chain Guide Pulley Bracket complete, Nos. 39570, two each 1064d, 39571 and wood screws 1½ in., No. 12, R.H.B.
39572	4047	Treadle Chain Guide complete, Nos. 39570, two each 1064d, 39571 and wood screws 1½ in., No. 12, R.H.B., for 39817
39575	4024	Rock Shaft Starting Hook Chain Hook (lower), for 39815 and 39816
39575	4024	Treadle Chain Hook (lower), for 39569
39576	4024	Rock Shaft Starting Hook Chain Hook (upper), for 39811 and 39813
39576	4024	Treadle Chain Hook (upper), for 39569
39579	4004	Needle Bar Frame Connection Stud (eccentric), for Machine No. 71-4
39580	4019	Stop Cam Interlocking Rod
39582	4095	Belt Cover Bracket (obsolete)
39590	4004	Feed Rock Shaft Spring Plate

Numerical List of Parts

No.	Plate	Name
39591	4004	Clamp Carrier Guide (left), for 39614
39594	4045	Feed Wheel Driving Lever Block Adjusting Screw Bracket with 769c, 898c and 39504
39595	4045	Feed Wheel Retaining Clutch Cap ..
39596	4045	" " " " Stud ..
39597	4045	" " Driving Lever Block with 602d and 39598
39598	4045	Feed Wheel Driving Lever Block Lock Spring, for 39597
39600	4048	Needle Bar with 904F
39601	4004	" " Connecting Stud with 1341c
39614	4095	Clamp Carrier Slide with 39591 and three 756D
Nos. 39616 to 39618, for 39622 and 39643.		
39616	4004	Barring Lever Catch Stud
39617	4004	" " " " Rivet (long)
39618	4004	" " " " (short)
39622	4048	Needle Bar Frame Connection with 1963 and 39616 to 39618, for 39926
39628	4096	Stop Cam with 39629
39629	4096	" " Pin, for 39628
39632	4052	Tension (top cover) Releaser Holder with 201F
39635	4052	Tension (top cover) Releasing Pin ..
39636	4052	" " Thread Eyelet (double)
39637	4021	Stop Cam Spring Stop Block
39638	4021	" " " " Screw Block
39640	4095	Arm Top Cover
39641	4052	Tension (top cover) Releaser
39642	4052	" " " Releasing Lever ..
39643	4051	Needle Bar Frame Connection with 1963 and 39616 to 39618
39653	4048	Oscillating Rock Shaft, for 39654 ..
39654	—	Oscillating Rock Shaft complete, Nos. 4784, 23494 and 39653
39655	4051	Oscillating Shaft
39656	4023	" " Bushing (back)
39657	—	" " Crank, for 39692 ...
39692	4023	Oscillating Shaft Crank complete, Nos. 1636E, 15171, 39657 and two 1253c
39708	4047	Table Belt Guide Pulley Shaft with 858c, for 39709 and 39716

Numerical List of Parts

No.	Plate	Name
39709	4047	Table Belt Guide (single, right) complete, Nos. 14229, 23536, 23538, 39708 and four wood screws 1½ in., No. 12, R.H.B.
39711	4007	Thread Guiding Stud (side of arm) ..
39712	4007	" Retainer Holder with 462c, for 39714
39713	4007	Thread Retainer Spring, for 39714 ..
39714	—	Thread Retainer complete, Nos. 1664D, 12400, 12402, 39712 and 39713
39716	4047	Table Belt Guide (single, left) complete, Nos. 14229, 23536, 23538, 39708 and four wood screws 1½ in., No. 12, R.H.B.
39717	4039	Clamp Lifting Arm, for 39551
39808	4080	" Check Lifting Chain Guide Pulley, for 39809
39809	—	Clamp Check Lifting Chain Guide Pulley Bracket complete, Nos. 39570, two each 1064D, 39808 and wood screws 1½ in., No. 12, R.H.B., for 39818
39810	4080	Rock Shaft, for 39812 and 39814 ..
39811	4080	" " Starting Hook (right hand) with 39576, for 39812
39812	—	Rock Shaft complete (right hand), Nos. 2770, 6336, 6337, 7539, 20093, 39810 and 39811, for 39818
39813	4080	Rock Shaft Starting Hook (left hand) with 39576, for 39814
39814	—	Rock Shaft complete (left hand), Nos. 2770, 6336, 6337, 7539, 20093, 39810 and 39813, for 39817
39815	4080	Rock Shaft Starting Hook Chain, 14½ in. long (left), with 39575, for 39817
39816	4080	Rock Shaft Starting Hook Chain, 5½ in. long (right), with 39575, for 39818
39817	—	Rock Shaft and Treadle Chain Guide Combination complete, for left hand machines when set in pairs. Nos. 39572, 39814 and 39815
39818	—	Rock Shaft and Treadle Chain Guide Combination complete, for right hand machines when set in pairs. Nos. 39809, 39812 and 39816
39844	4096	Barring Indicator
Nos. 39886 to 39897, for 39898.		
39886	—	Knife Grinder Emery Wheel, 4 in. diameter

Numerical List of Parts

No.	Plate	Name
39887	4083	Knife Grinder Emery Wheel Driving Shaft
39888	4083	Knife Grinder Emery Wheel Driving Shaft Oil Hole Cover
39889	4082	Knife Grinder Frame
39890	4086	" " Knife Holder (adjustable)
39891	4083	Knife Grinder Knife Holder Indicator
39892	4086	" " " " Slide Bracket with 200386c
39893	4086	Knife Grinder Knife Holder Slide Bracket Adjusting Screw Slide Plate
39894	4086	Knife Grinder Knife Holder Slide Bracket Shaft
39895	4083	Knife Grinder Knife Holding Spring
39896	4083	" " " " " Bracket
39897	4083	Knife Grinder Knife Stop (adjustable)
39898	—	Knife Grinder complete, Nos. 57c, 176d, 208d, 219f, 771d, 793d, 9525, 10249, 39886 to 39897, 200165h, 200283c, 201298c, 201510d, 203094, 204101, 206963, two each 200577h, 204264, 206232, 206969 and three wood screws 1½ in., No. 12
39900	—	Needle Bar Frame Regulator 23491 with 1245c
39901	—	Tension (side of arm) Releaser 23519 with 2269, 23520 and 39560
39904	—	Shuttle Race Body 23506 with 7326 and two 662d, for 39970
		Nos. 39910 to 39912, for 39913.
39910	4082	Bed Frame with two each 16555, 19398, four each 158E, 24106, six 14010 and four wood screws 1½ in., No. 12
39911	4084	Splash Guard with 201655
39912	4083	" " Hinge
39913	—	Bed Frame and Splash Guard complete, Nos. 39910, 39911, two 39912 and eight 200574E
39926	—	Needle Bar Frame Connection 39622 with 78c and 1226E
39927	—	Pulley 40024 with 40025
39969	4018	Shuttle Race Back, for 39970
39970	4018	Shuttle Race complete, Nos. 648d, 2533, 39904, 39969 and two 2532 ..

Numerical List of Parts

No.	Plate	Name
40006	4004	Clamp Carrier Block with 40007 and four 404d
40007	4004	Clamp Carrier Block Plate, for 40006
40024	4035	Pulley (tight), for 39927
40025	4004	" " Pin, for 39927
40032	4004	Stop Cam Spring Stop Screw Block (obsolete)
41401	4032	Machine Rest Pin (wood), 5½ in. long
41514	2837	Thread Unwinder Spool Weight, 4 in. diam., with 41515, for 41533
41515	4024	Thread Unwinder Spool Weight Center Pin, for 41514
41530	2837	Thread Unwinder Spool Rest, for 41531
41531	—	Thread Unwinder Spool Rest 41530 with 1149c, two each 155c and 27623, for 41533
41533	2837	Thread Unwinder complete, for two large spools or two large cones of thread, Nos. 27940, 41531, 41631, 41640, two each 27739, 41514 and three wood screws 1 in., No. 12 ..
41569	—	Thread Unwinder Thread Guard Eyelet, for 41631
41631	2837	Thread Unwinder Thread Guard with 208E and two 41569, for 41533
		Nos. 41637 to 41639, for 41640.
41637	2837	Thread Unwinder Thread Guard Rod (lower)
41638	2837	Thread Unwinder Thread Guard Rod (upper)
41639	2837	Thread Unwinder Thread Guard Rod Coupling with two 456c
41640	—	Thread Unwinder Thread Guard Rod complete, 30 in. long, Nos. 41637 to 41639, for 41533
50088c	—	Feed Wheel Driving Lever Pitman Ball Joint Screw, for 39554
*120088	—	Screw Driver Blade, for 26026
*120089	—	" " Ferrule, for 120090
*120090	—	" " Handle with 120089, for 26026
*120092	—	Screw Driver Blade, for 26485
*120093	—	" " Ferrule, for 120094
*120094	—	" " Handle with 120093, for 26485
120117	—	Oiler Spout Washer (leather), for 36566

Numerical List of Parts

No.	Plate	Name
200165H	11658	Knife Grinder Knife Holder Indicator Screw, for 39898
200283c	11658	Knife Grinder Emery Wheel Driving Shaft Oil Hole Cover Screw, for 39898
200386c	11658	Knife Grinder Knife Holder Slide Bracket Set Screw, for 39892
200403c	11658	Knife Grinder Emery Wheel Driving Shaft Pulley Set Screw, for 206963
200574E	11658	Splash Guard Hinge Screw, for 39913
200577H	11658	Knife Grinder Knife Holder Slide Bracket Adjusting Screw Slide Plate Screw, for 39898
201052c	11658	Knife Grinder Knife Holder Slide Bracket Shaft Collar Set Screw, for 206232
201298c	11658	Knife Grinder Knife Holder Slide Bracket Adjusting Screw, for 39898
201426c	4096	Clamp Carrier Regulator Roller Screw Stud, for 201895
201426c	4096	Clamp Carrier Slide Lever Roller Screw Stud, for 201895
201427c	4096	Clamp Carrier Regulator Roller Cap Screw, for 201895
201427c	4096	Clamp Carrier Slide Lever Roller Cap Screw, for 201895
201510D	11658	Knife Grinder Emery Wheel Driving Shaft Nut, for 39898
201655	11658	Splash Guard Locking Screw Wing Nut, for 39911
201894	4096	Clamp Carrier Regulator Roller, for 201895
201894	4096	Clamp Carrier Slide Lever Roller, for 201895
201895	4096	Clamp Carrier Regulator Roller 201894 with 1520E, 201426c and 201427c, for 39543
201895	4096	Clamp Carrier Slide Lever Roller 201894 with 1520E, 201426c and 201427c, for 23394
203094	11658	Knife Grinder Knife Holder Indicator Position Pin, for 39898
204101	11658	Knife Grinder Emery Wheel Driving Shaft Nut Washer, for 39898
204264	11658	Knife Grinder Knife Holding Spring Bracket Position Pin, for 39898 ..

Numerical List of Parts

No.	Plate	Name
204264	11658	Knife Grinder Knife Holding Spring Position Pin, for 39898
206232	11658	Knife Grinder Knife Holder Slide Bracket Shaft Collar with 201052c, for 39898
206963	11658	Knife Grinder Emery Wheel Driving Shaft Pulley with two 200403c, for 39898
206969	—	Knife Grinder Emery Wheel Washer (paper), for 39898

PLATE 2837—ONE-FOURTH SIZE

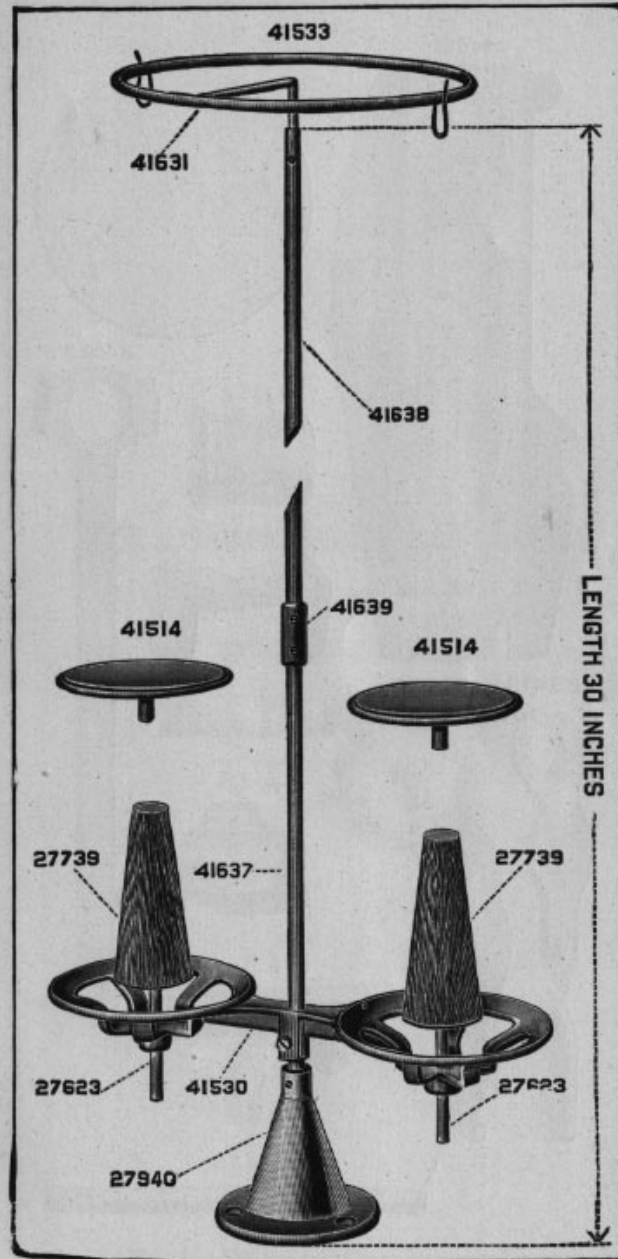


PLATE 4000—ONE-HALF SIZE

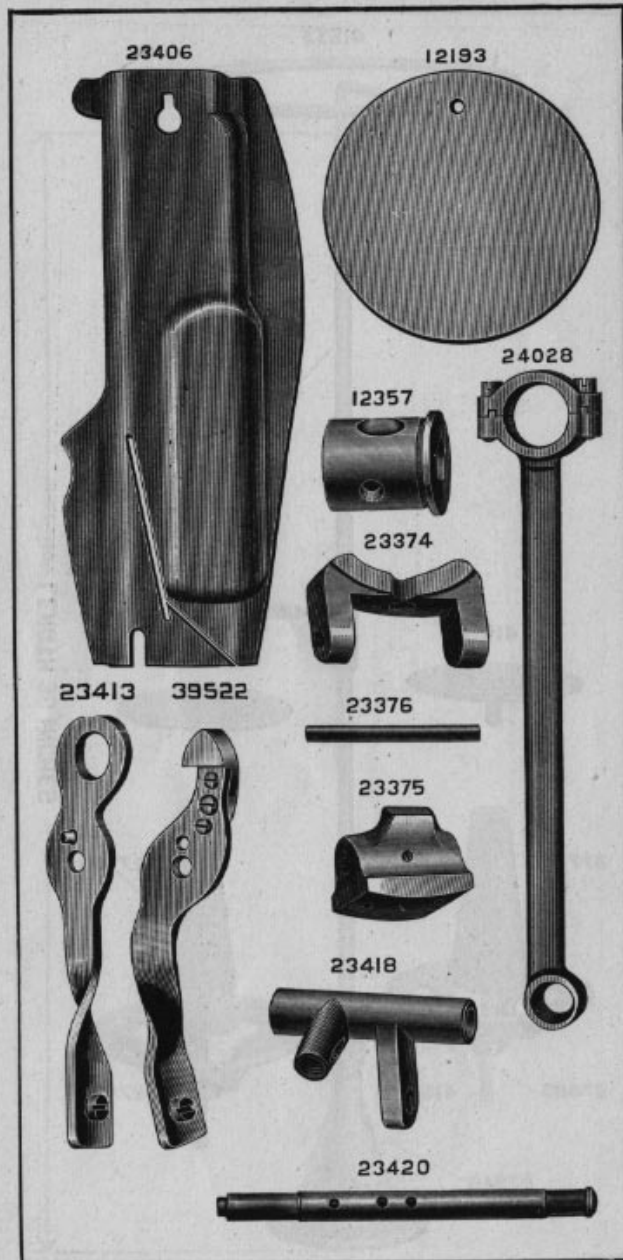


PLATE 4001—ONE-HALF SIZE

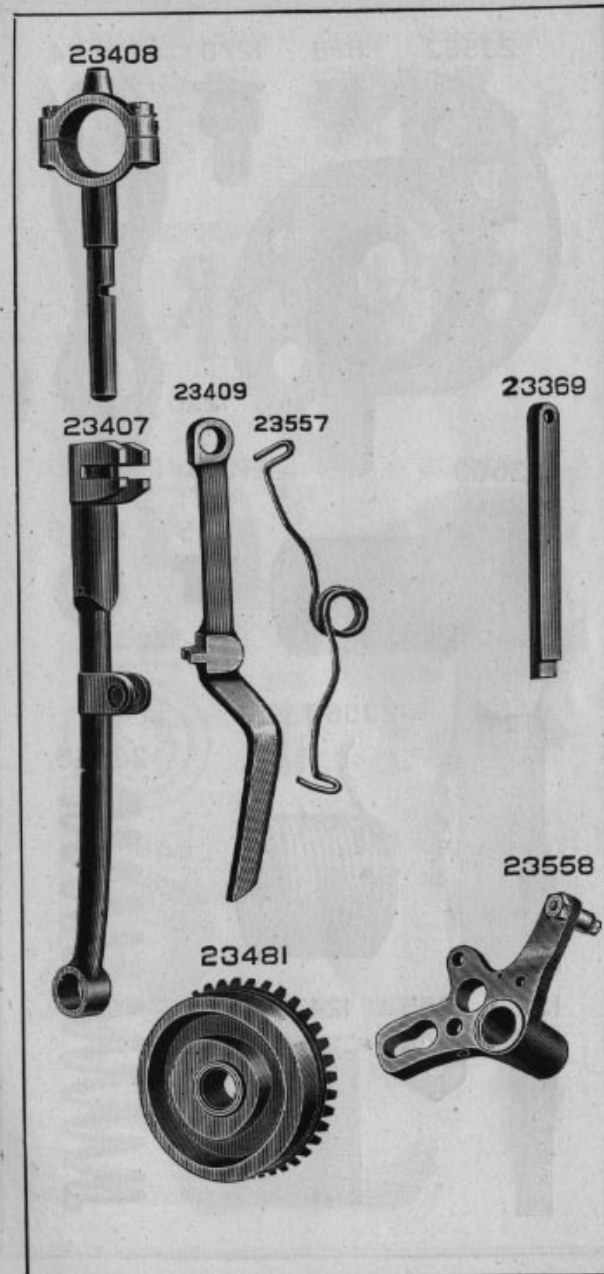


PLATE 4002—FULL SIZE

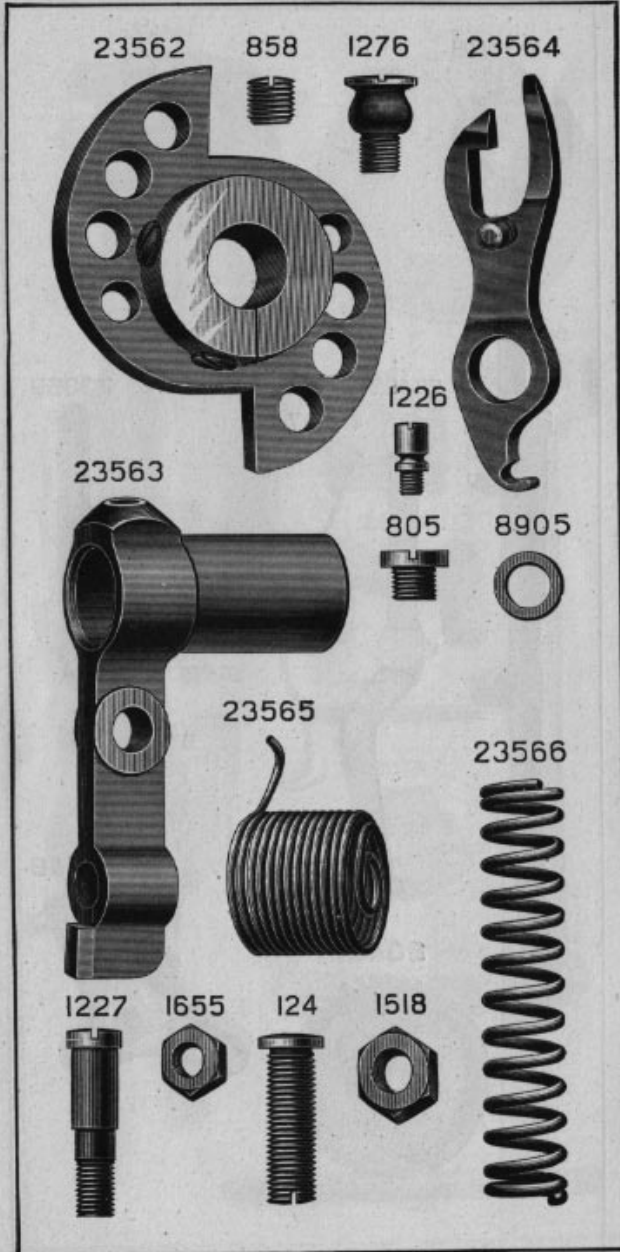


PLATE 4003—FULL SIZE

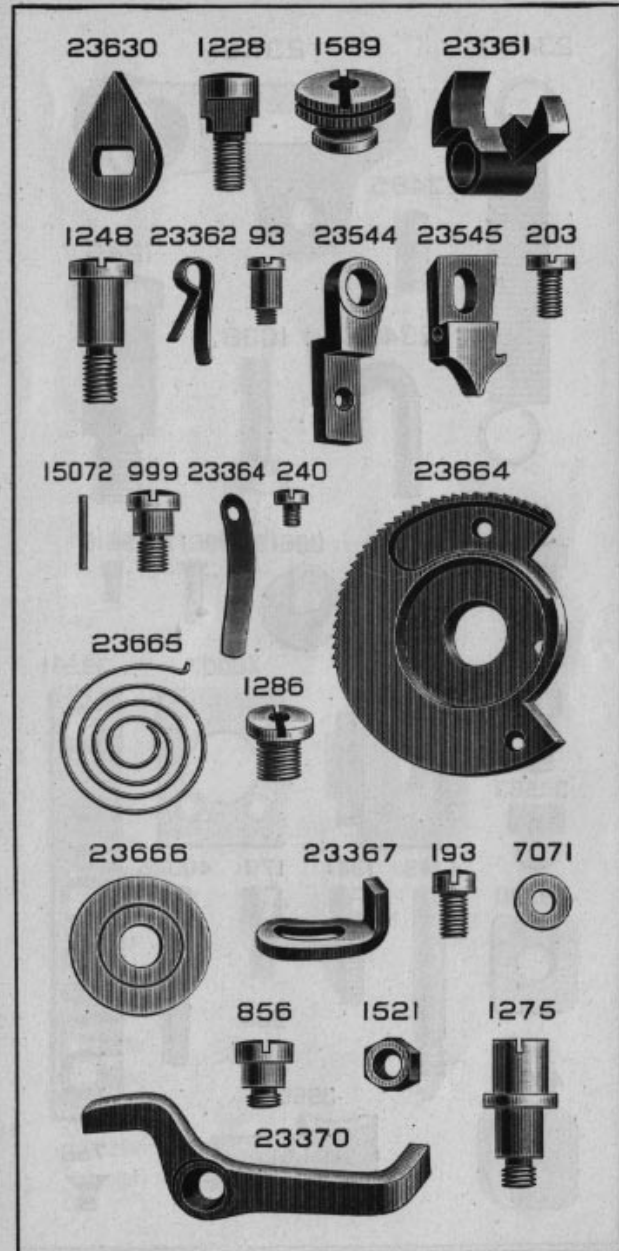


PLATE 4004—FULL SIZE

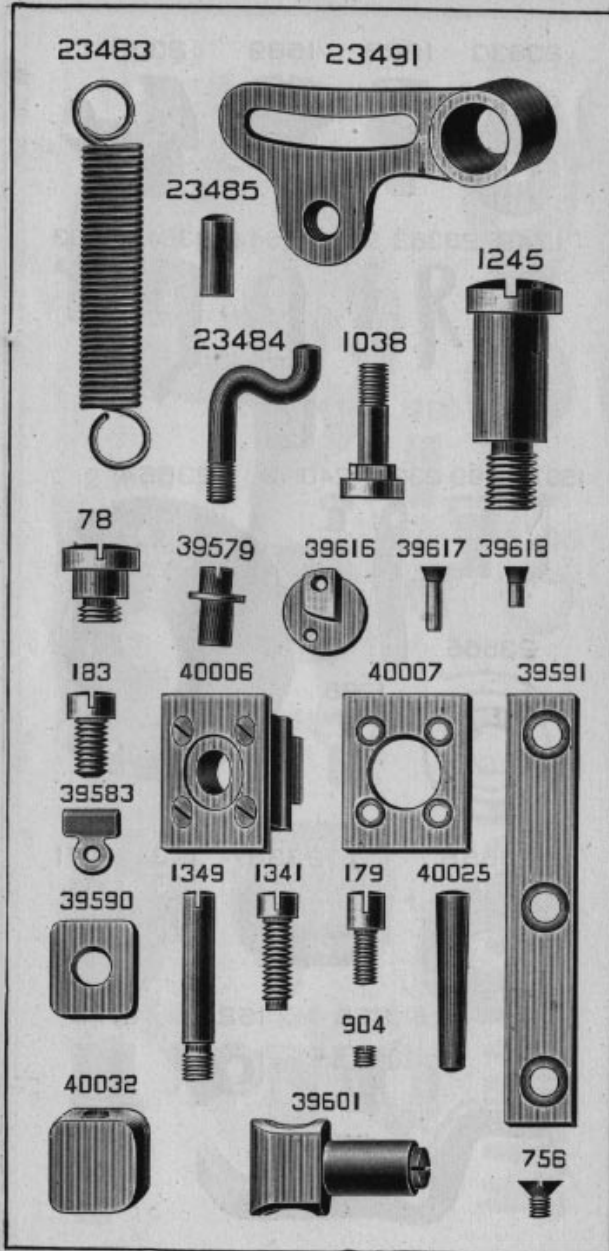


PLATE 4005—ONE-HALF SIZE

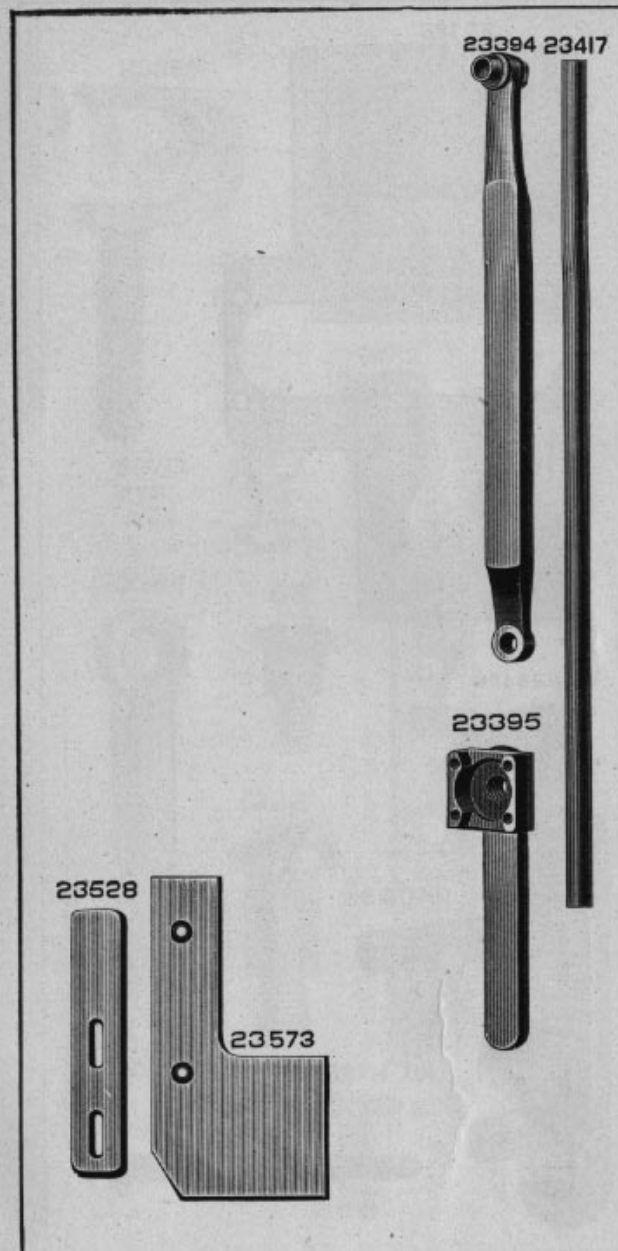


PLATE 4006—ONE-HALF SIZE

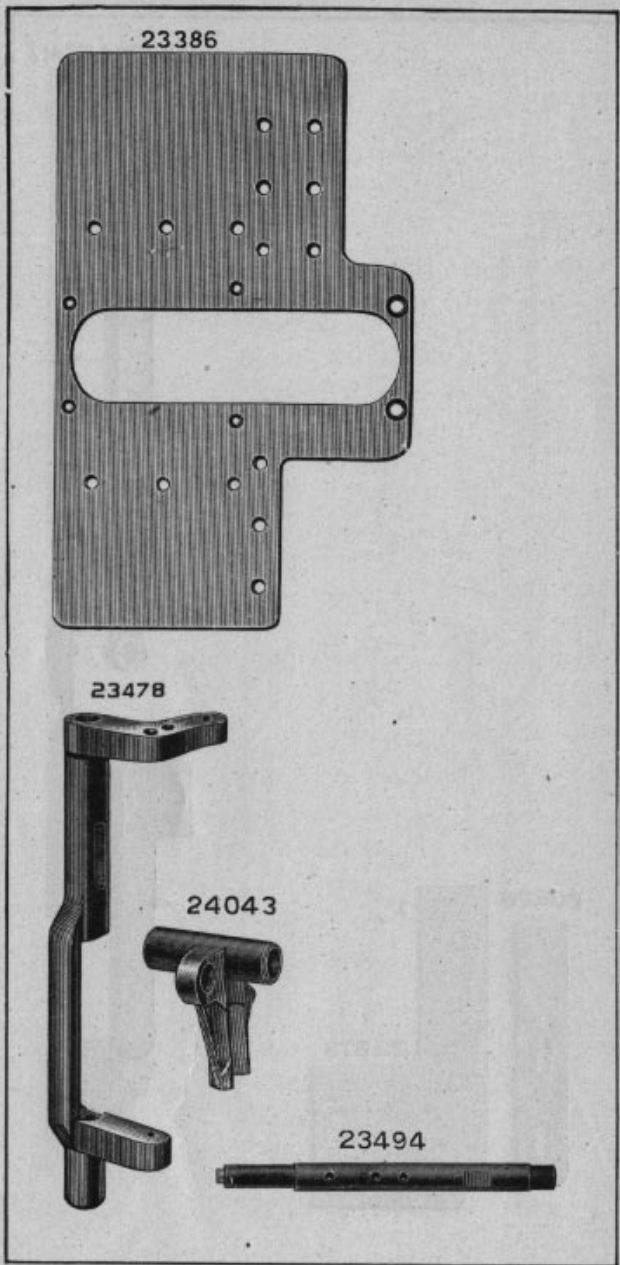


PLATE 4007—FULL SIZE

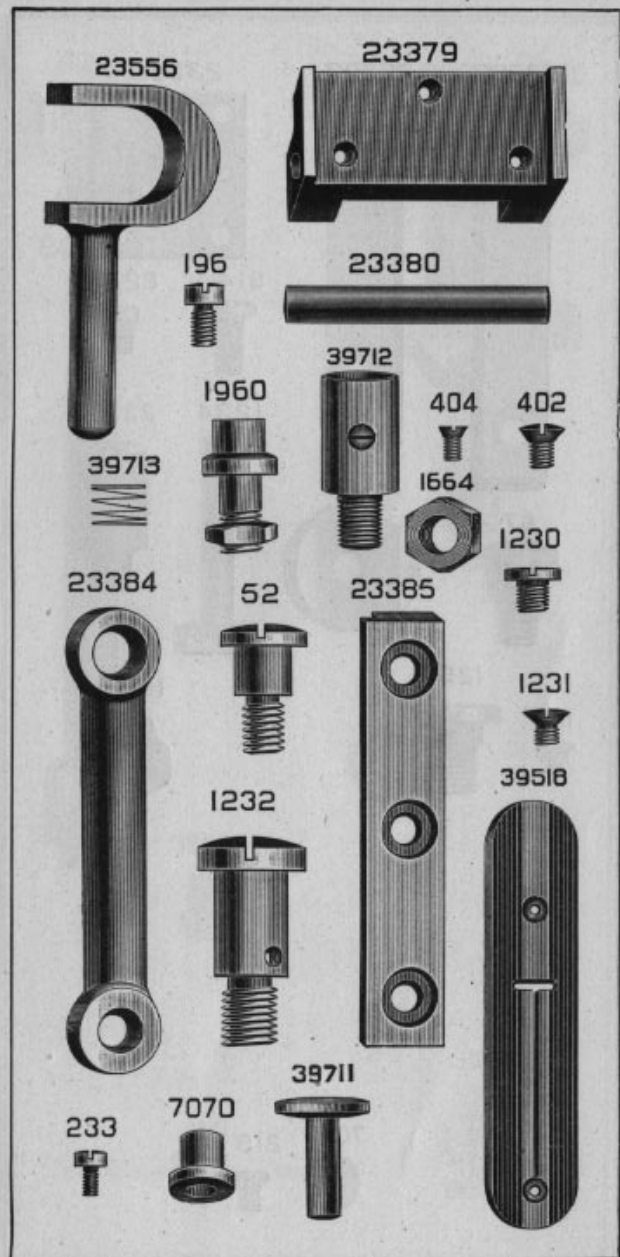


PLATE 4008—FULL SIZE

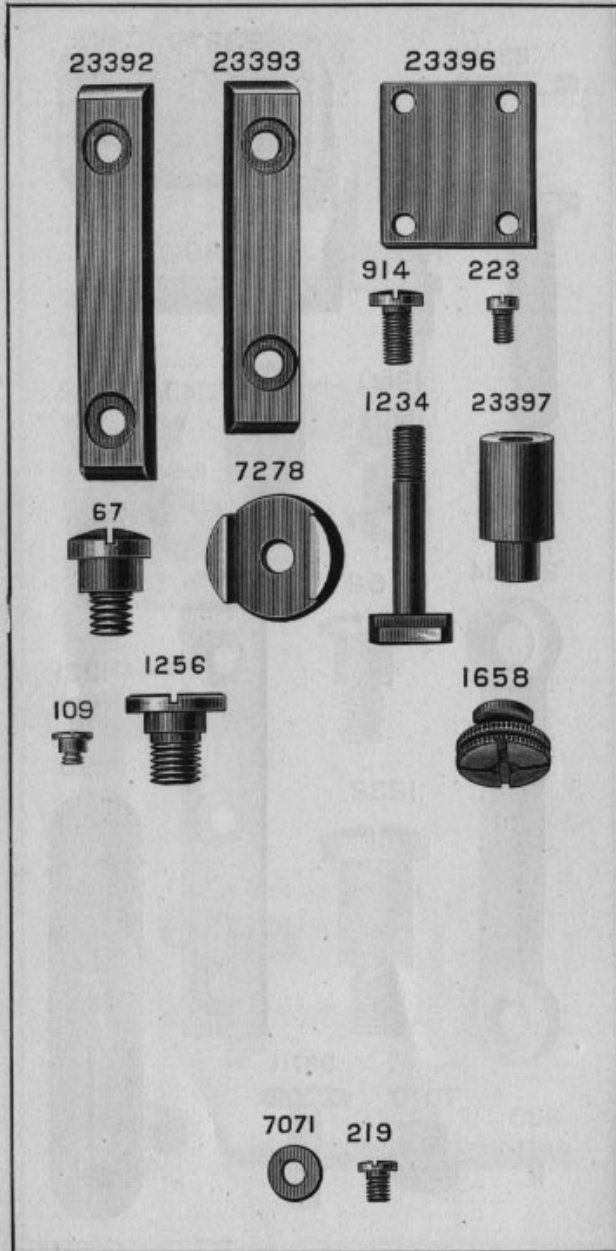


PLATE 4009—FULL SIZE

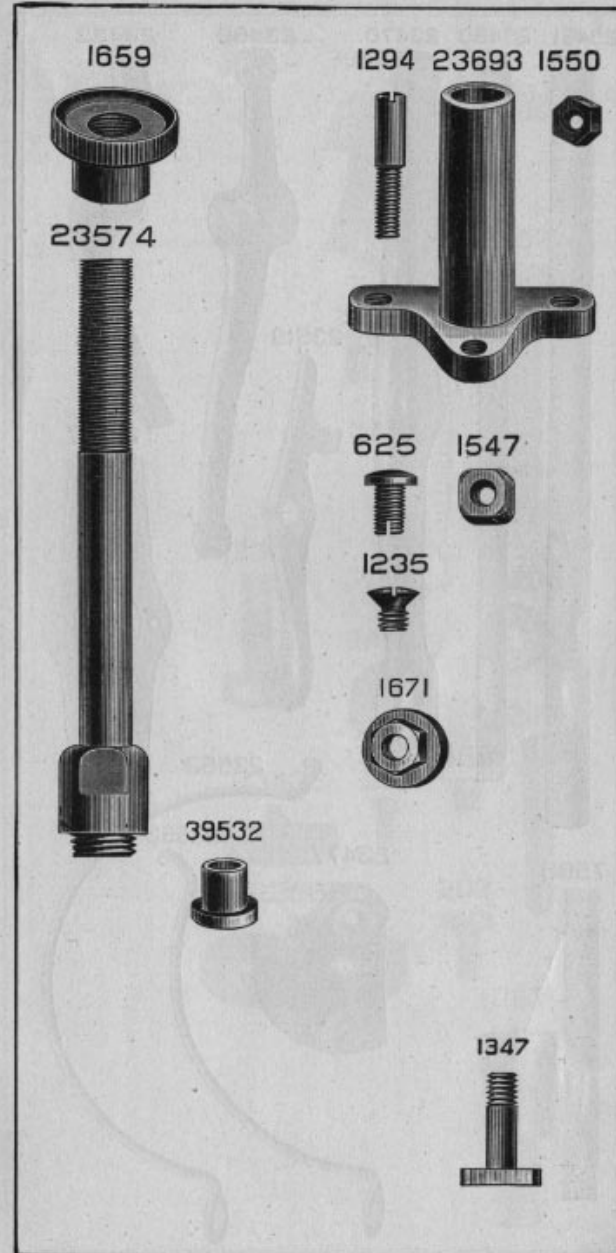


PLATE 4010—ONE-HALF SIZE

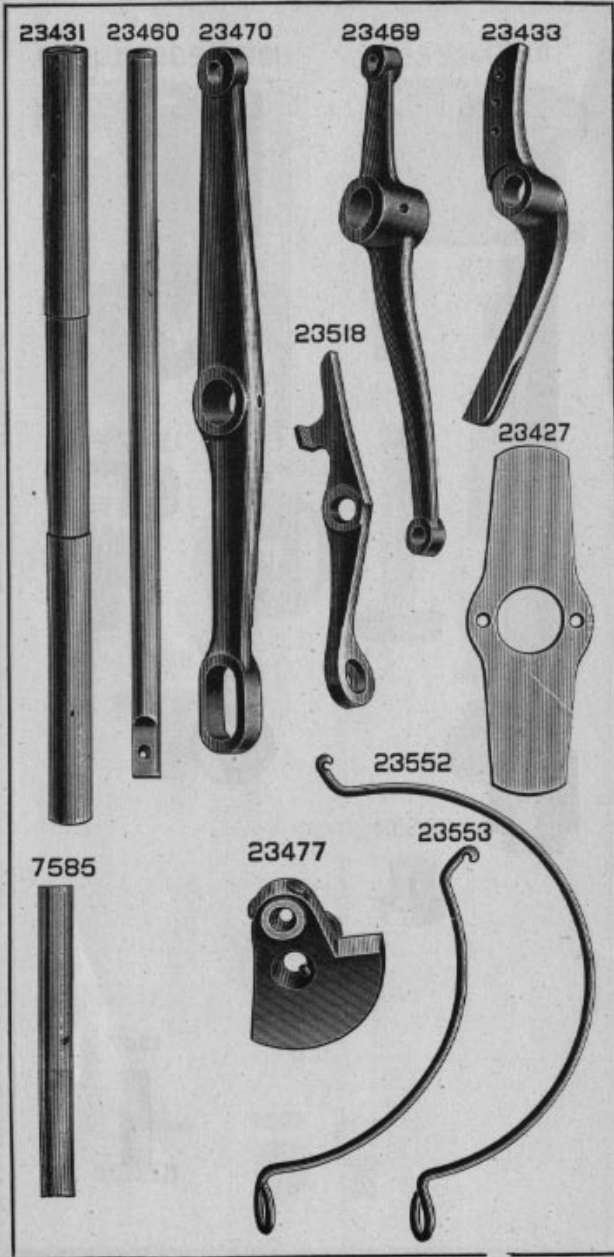


PLATE 4012—FULL SIZE

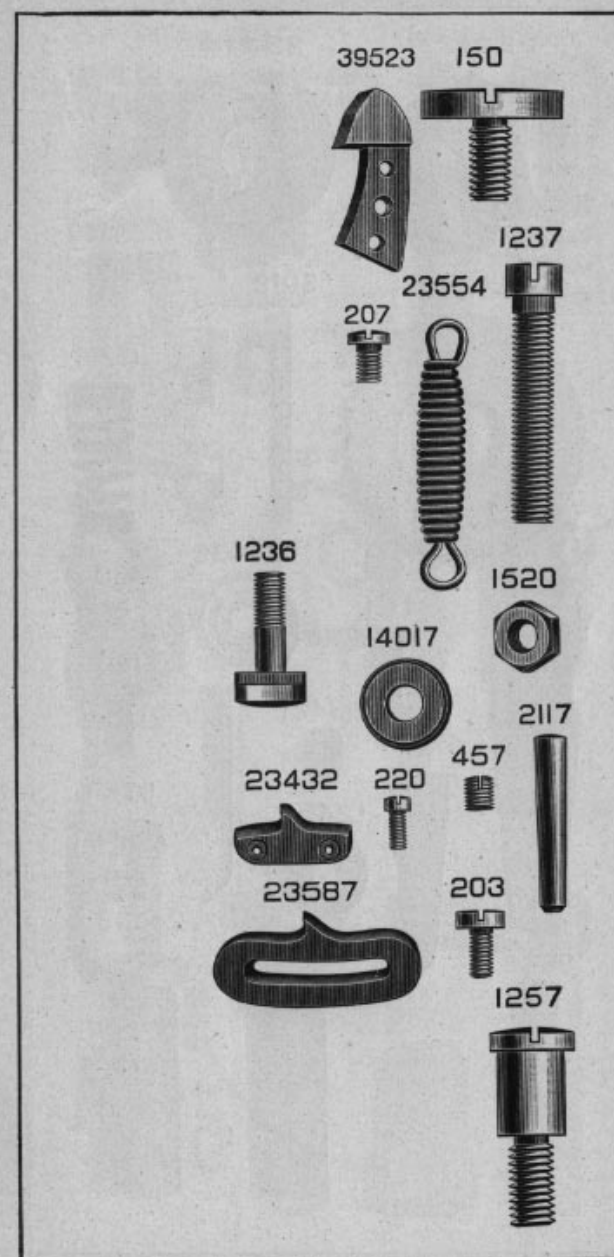


PLATE 4013—FULL SIZE

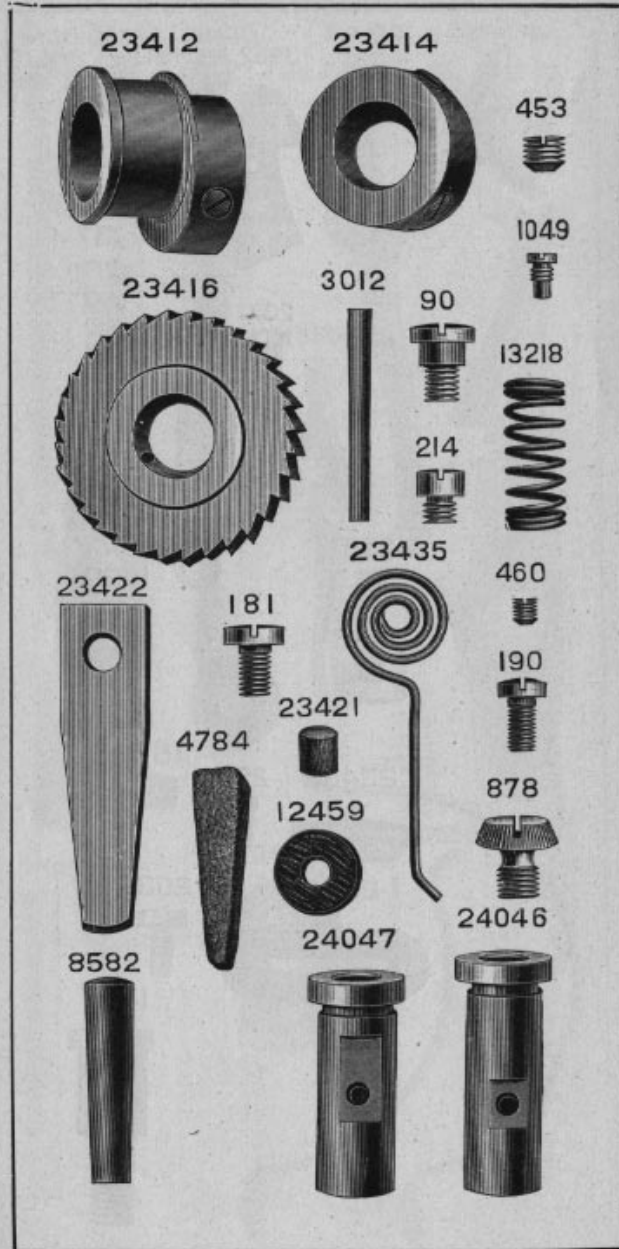


PLATE 4014—FULL SIZE

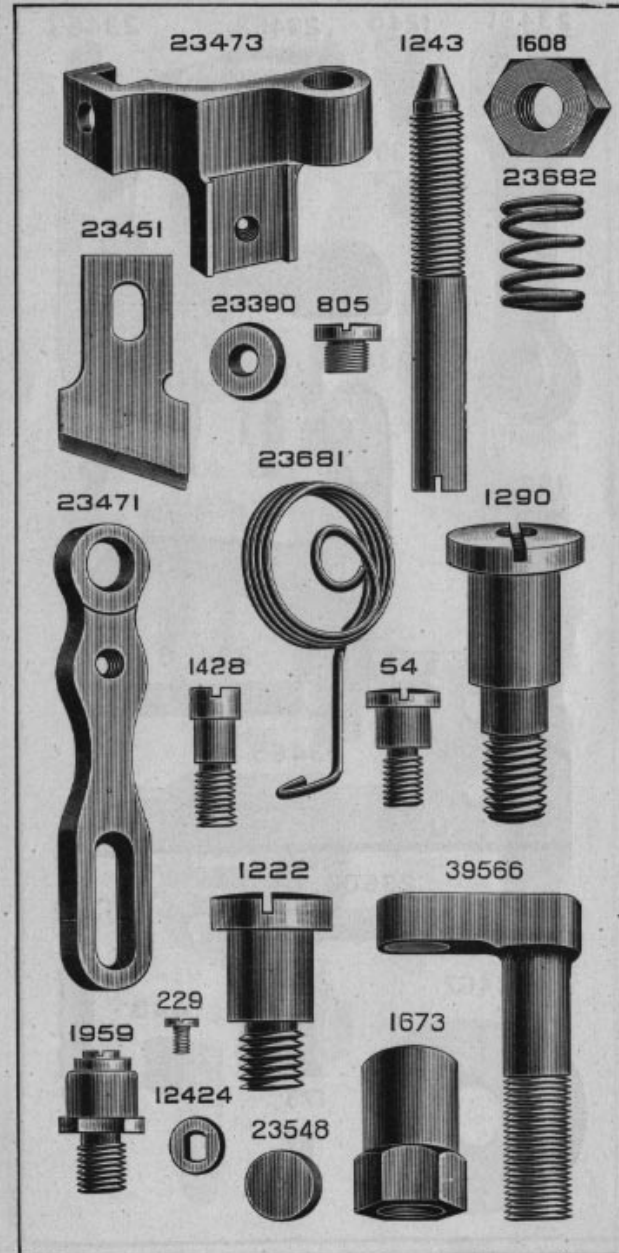


PLATE 4015—FULL SIZE

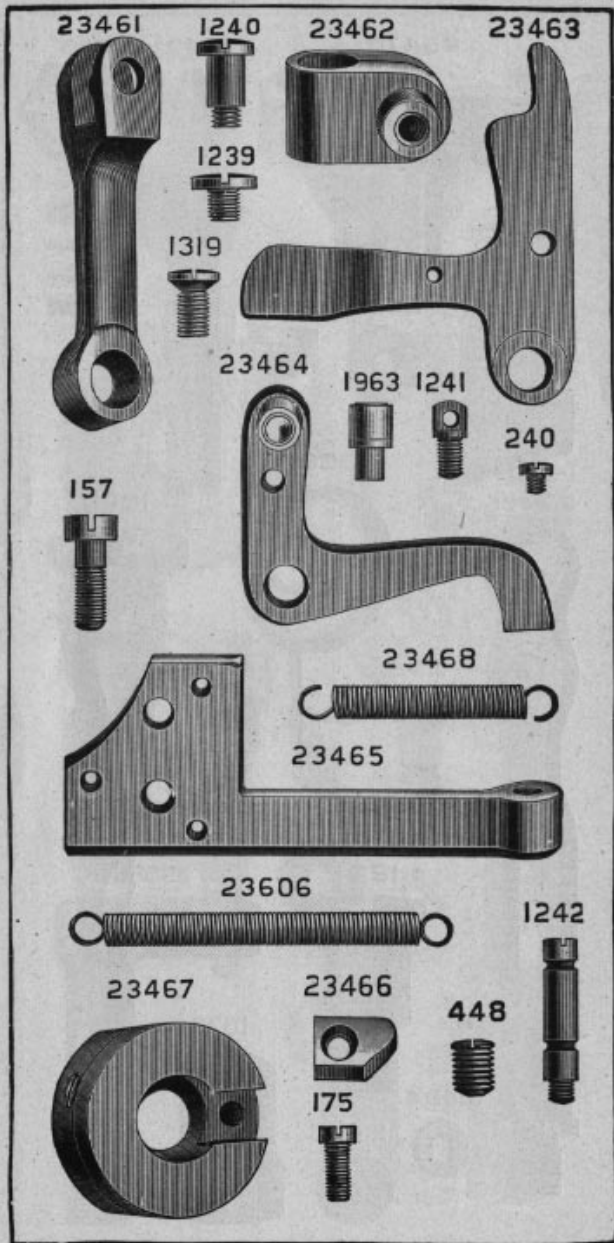


PLATE 4016—FULL SIZE

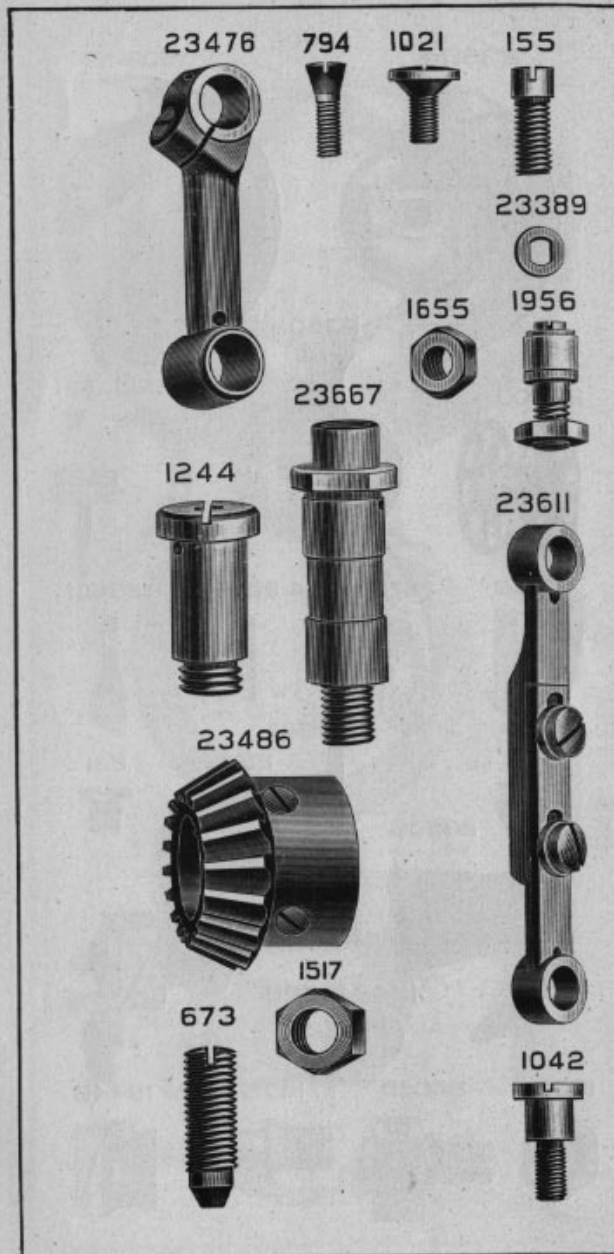


PLATE 4017—FULL SIZE

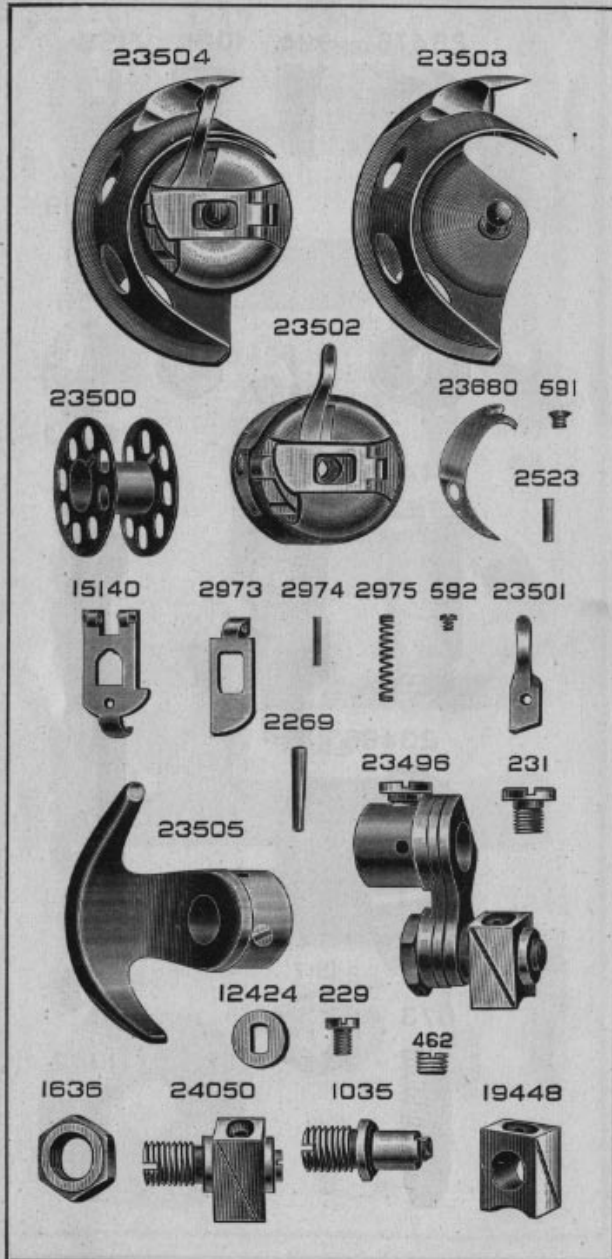


PLATE 4018—FULL SIZE

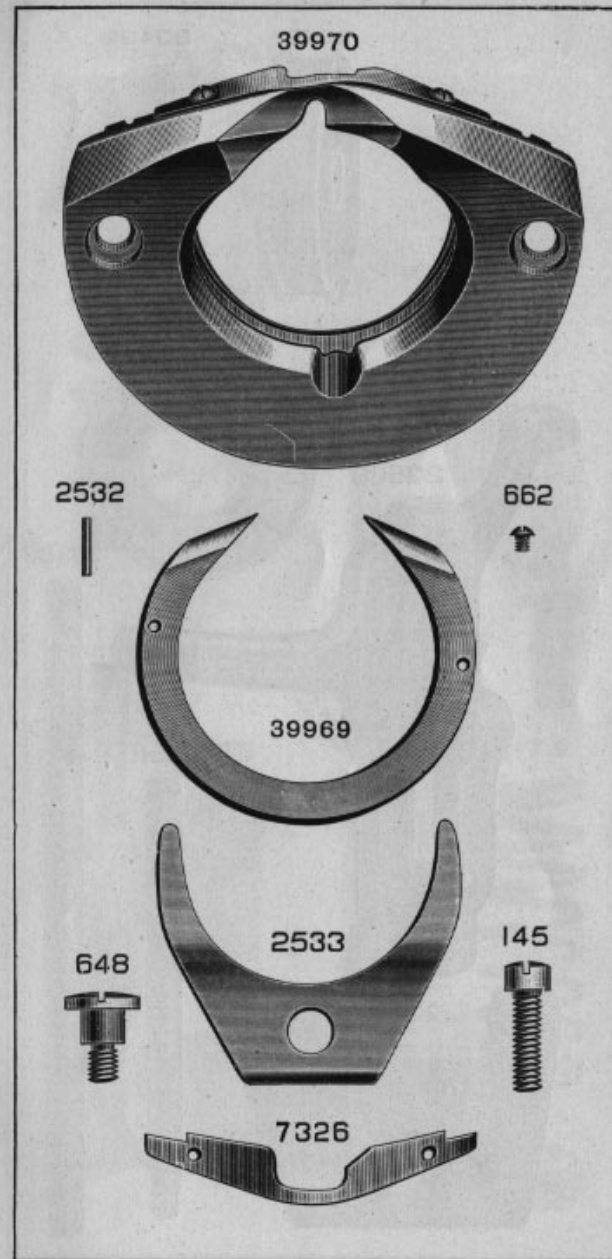


PLATE 4019—ONE-HALF SIZE

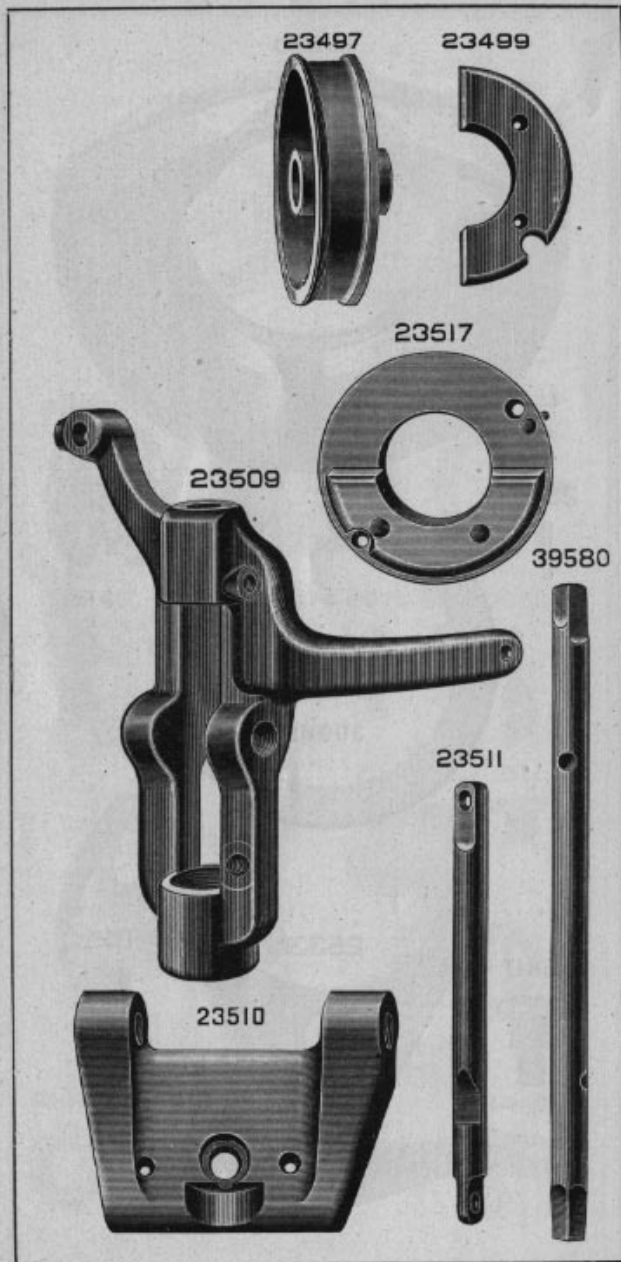


PLATE 4020—FULL SIZE

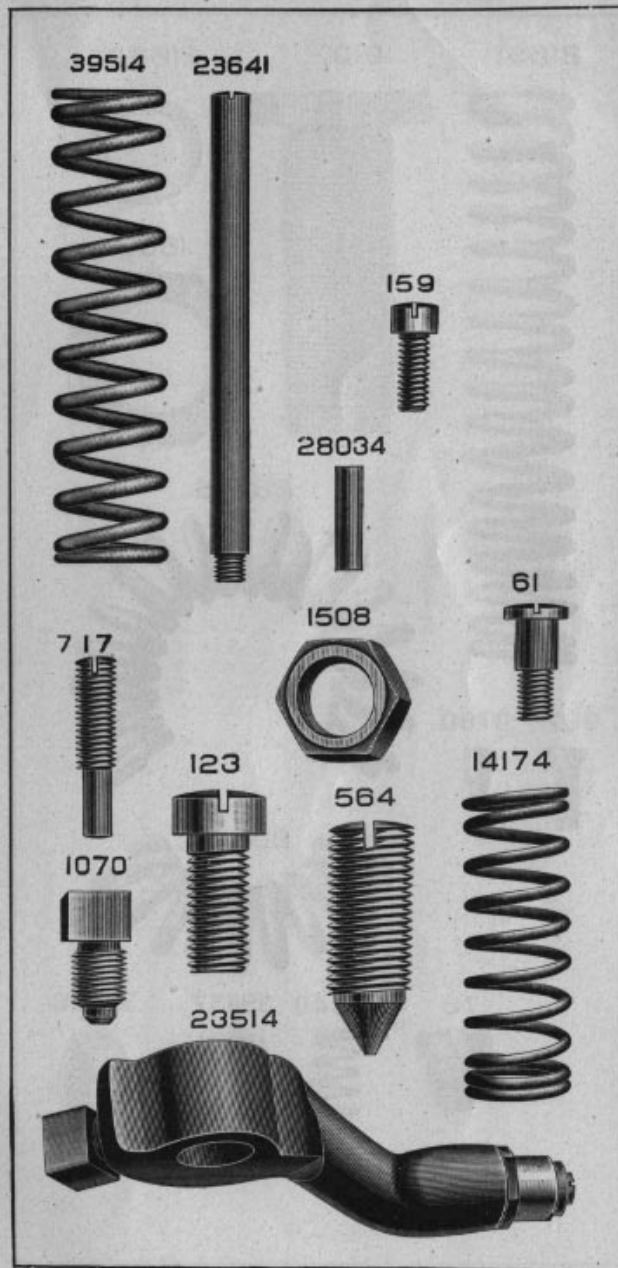


PLATE 4021—FULL SIZE

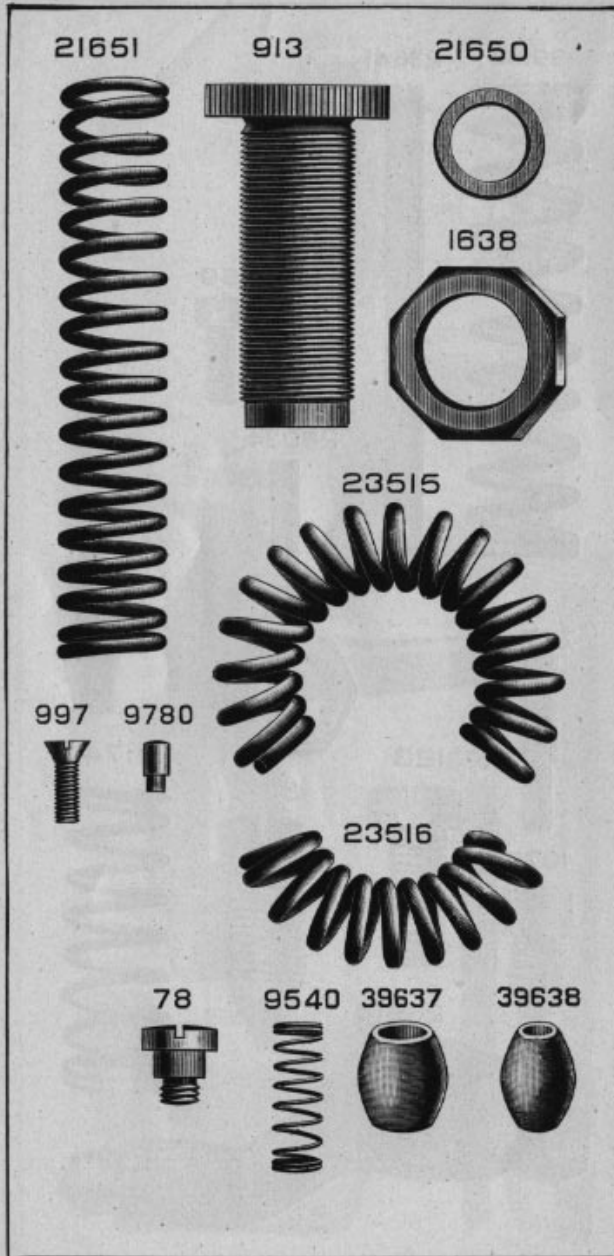


PLATE 4022—FULL SIZE

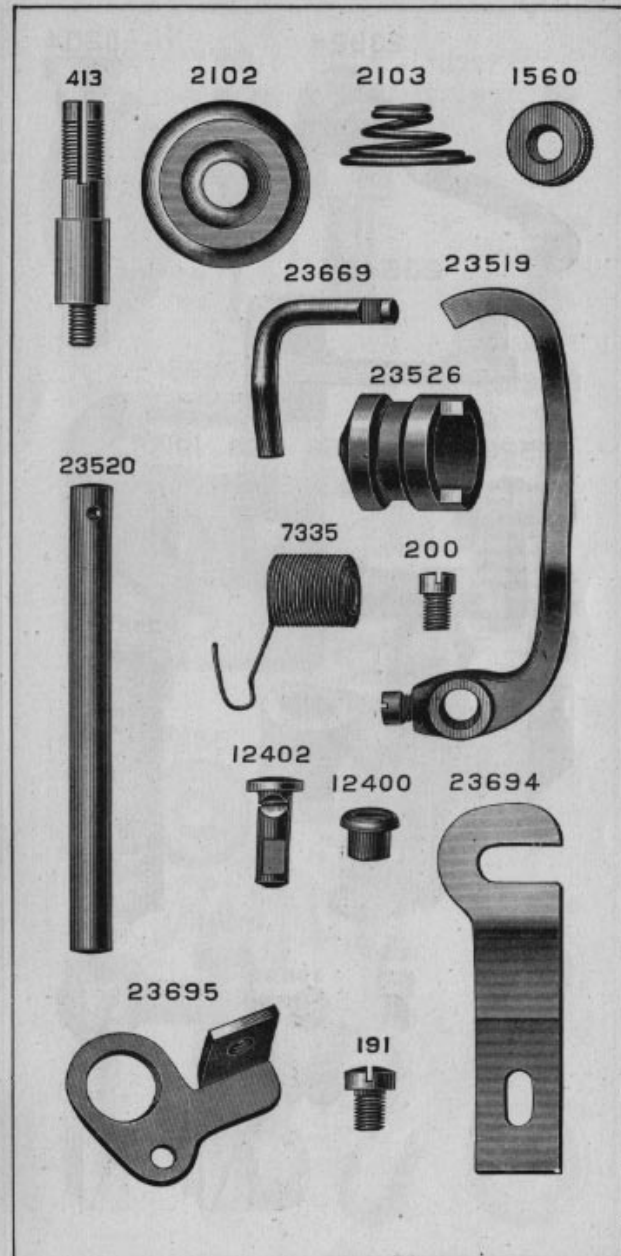


PLATE 4023—FULL SIZE

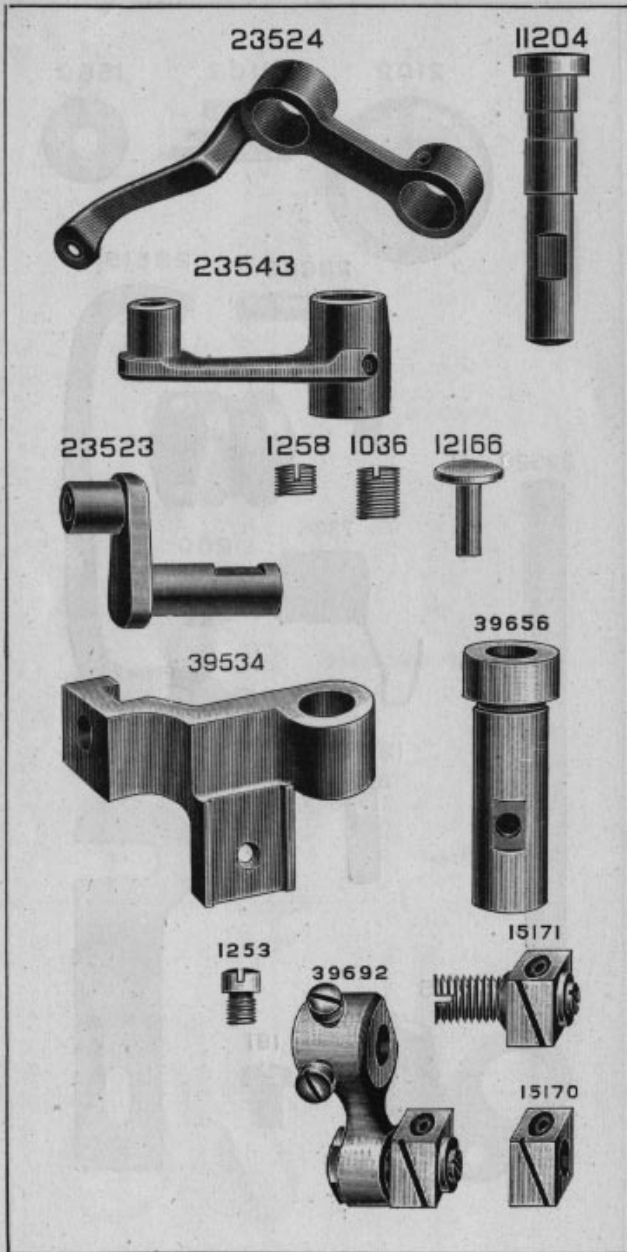


PLATE 4024—FULL SIZE

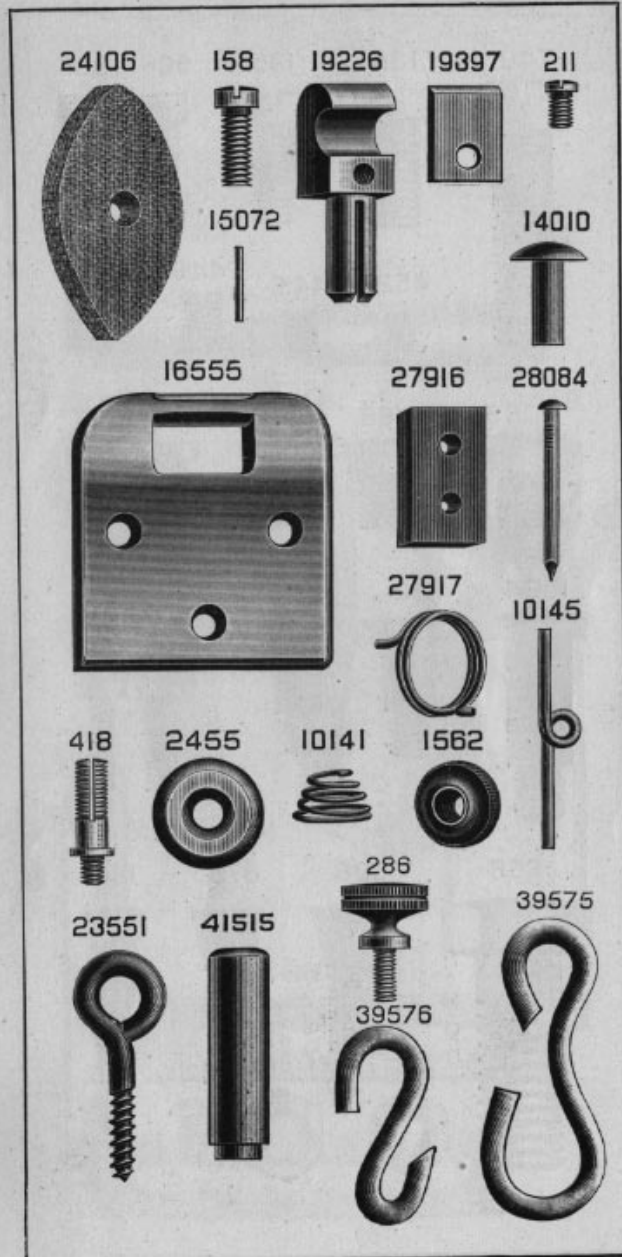


PLATE 4025—FULL SIZE

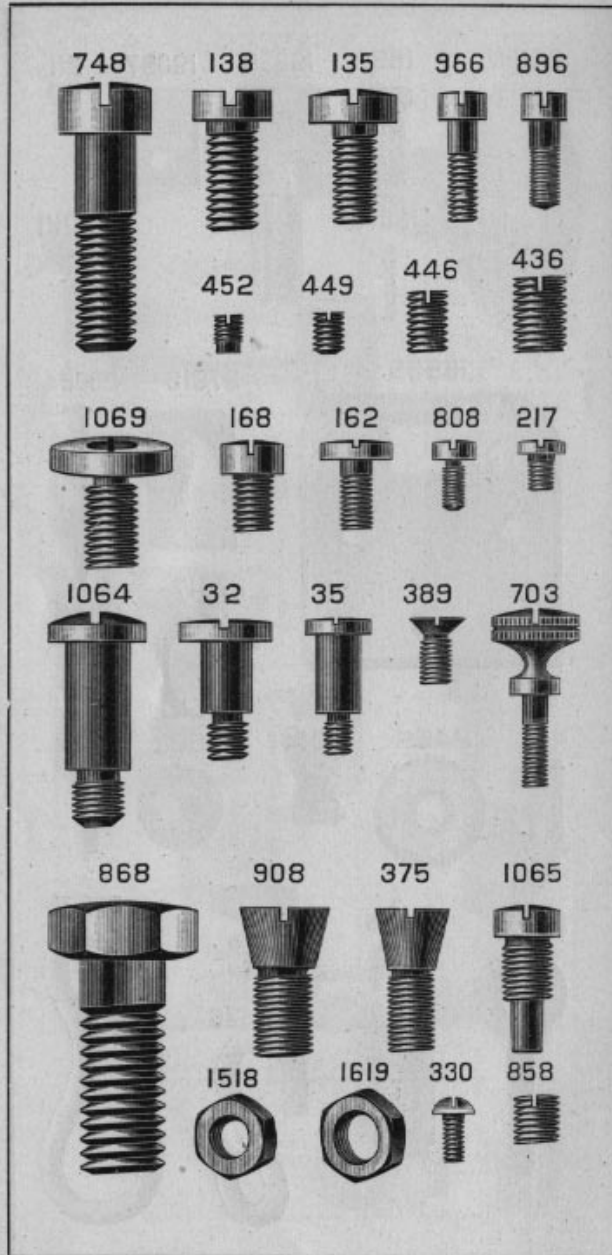


PLATE 4026 —FULL SIZE

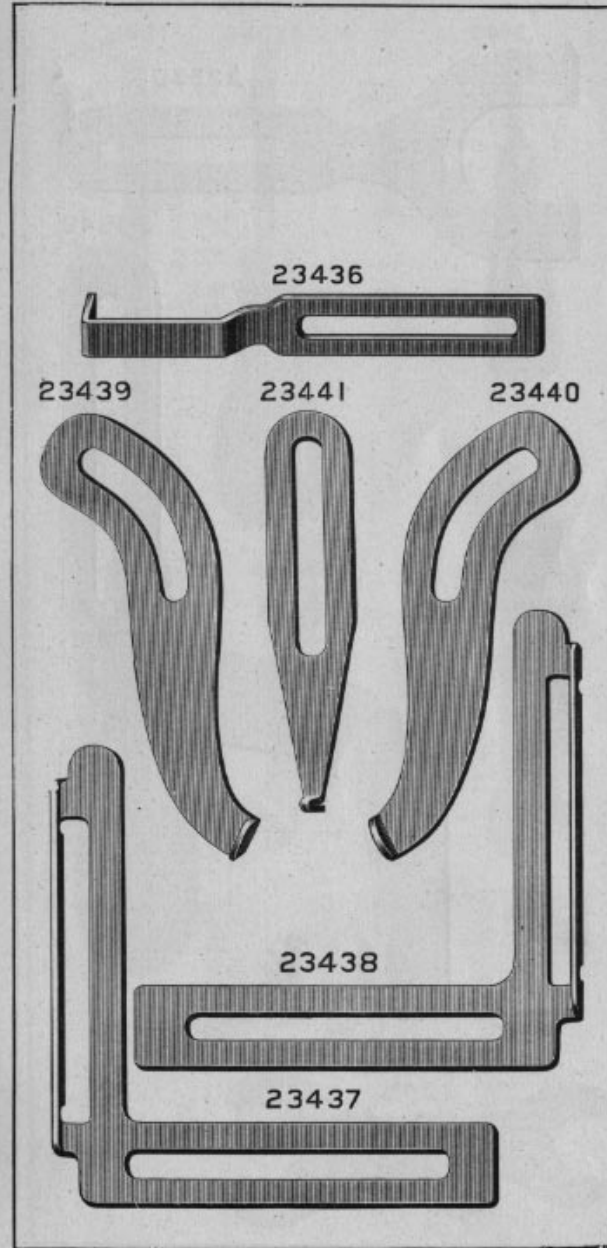


PLATE 4027- FULL SIZE

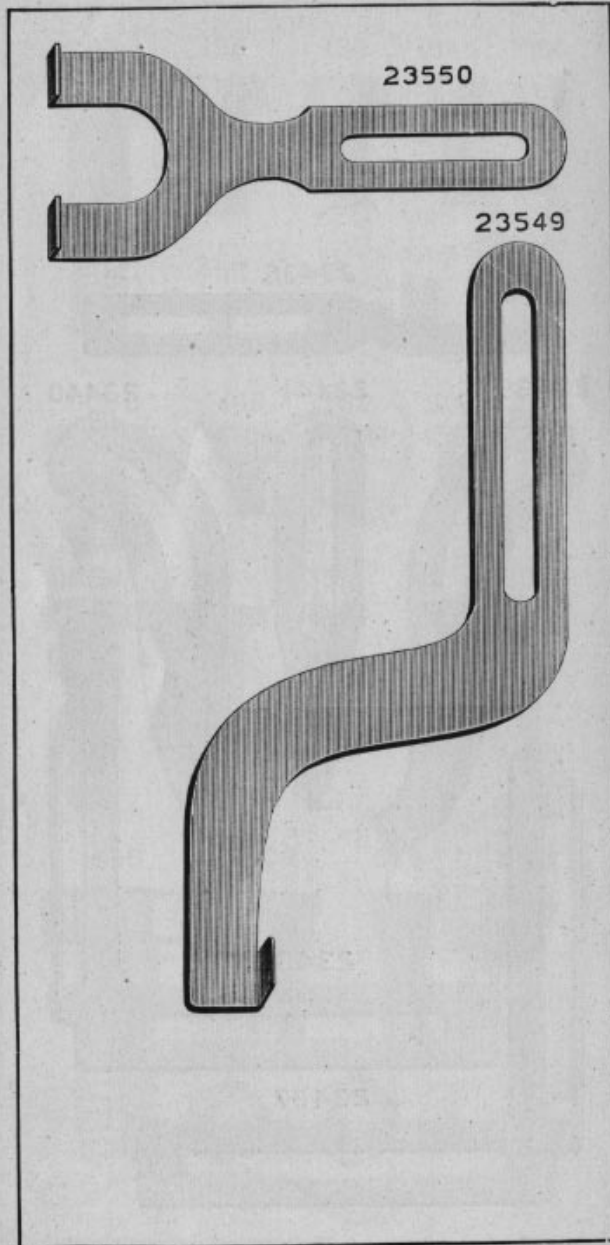


PLATE 4028-ONE-HALF SIZE

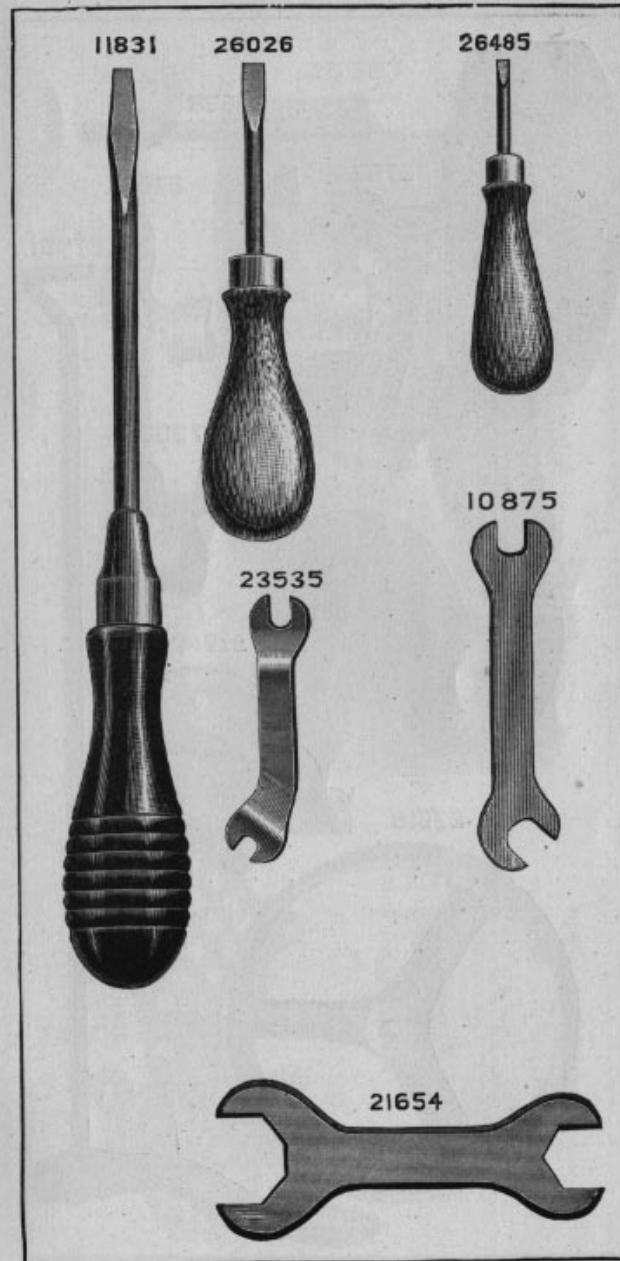


PLATE 4029 - ONE-HALF SIZE

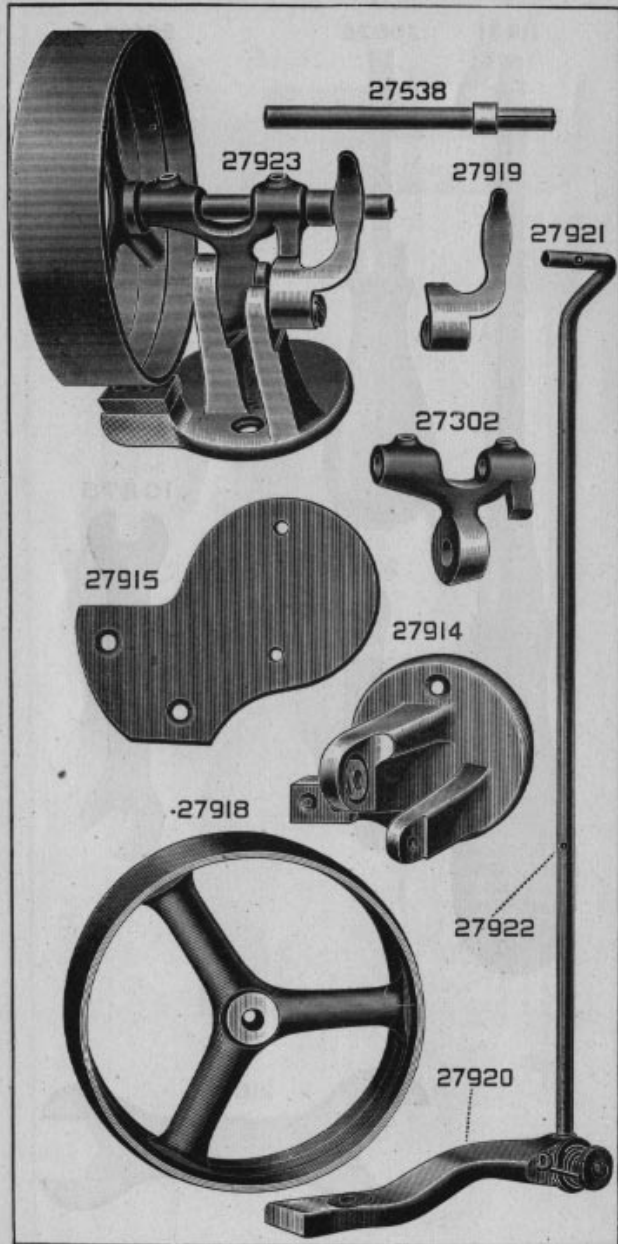


PLATE 4030 - ONE-FOURTH SIZE

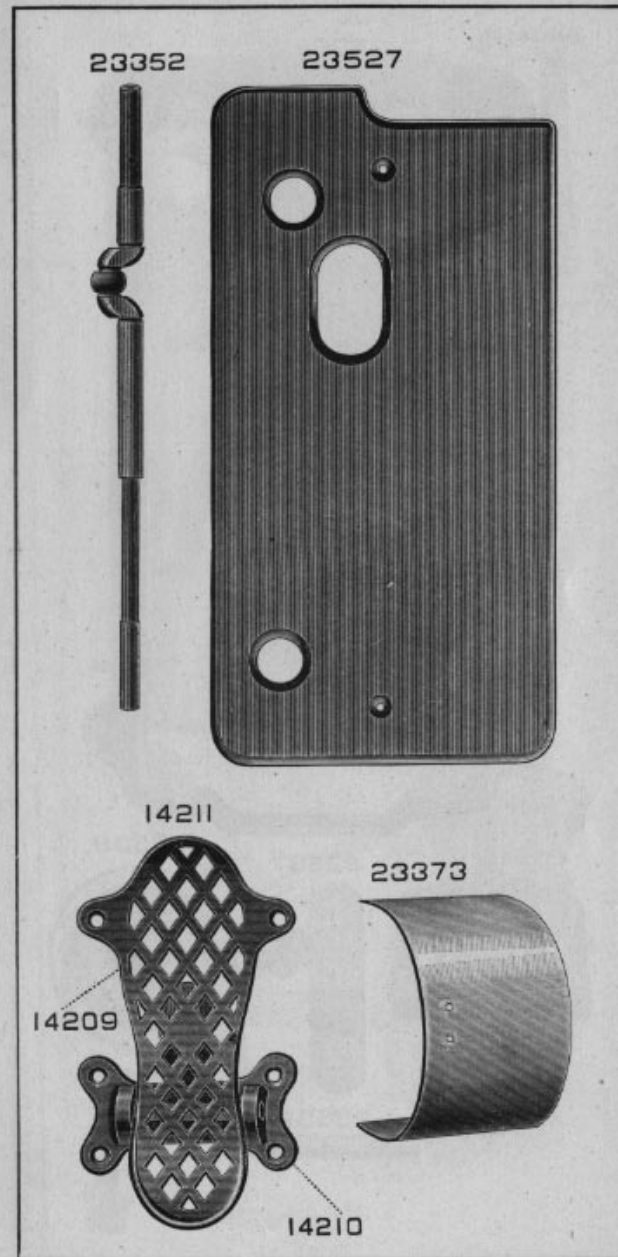


PLATE 4031—ONE-FOURTH SIZE

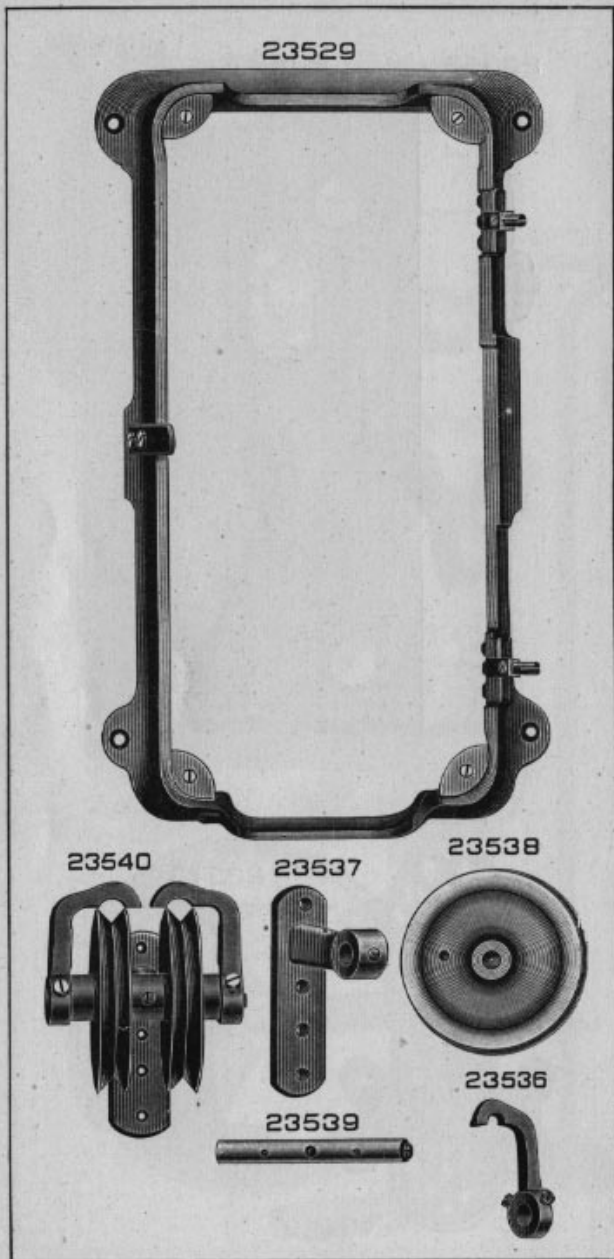


PLATE 4032—ONE-FOURTH SIZE

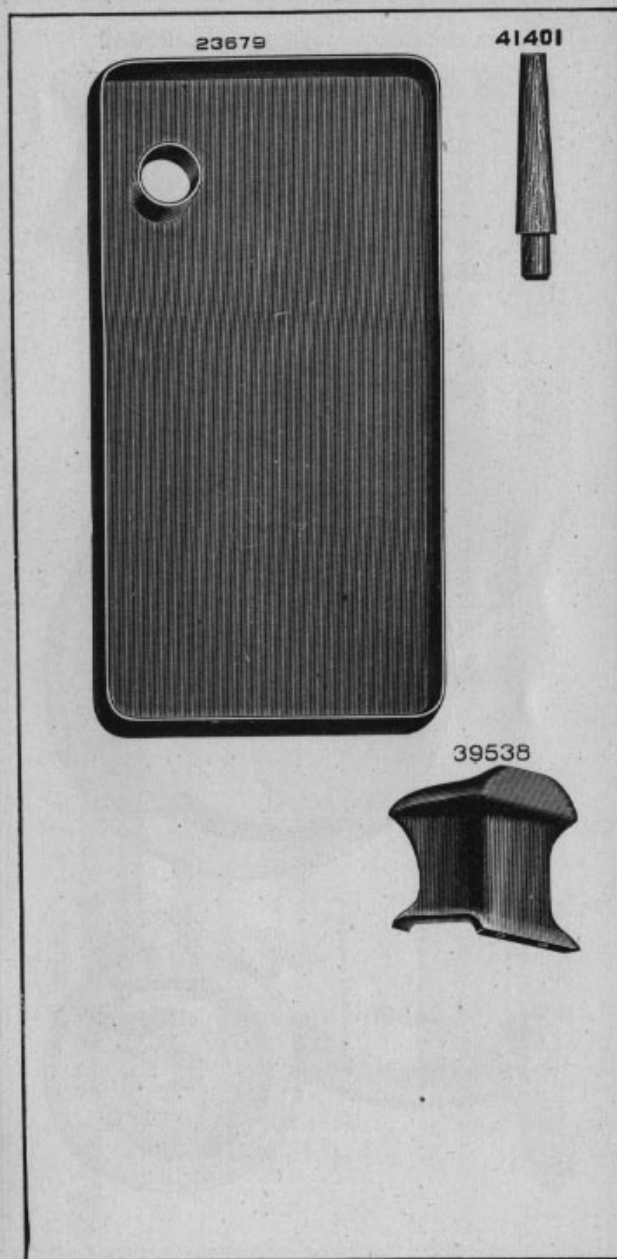
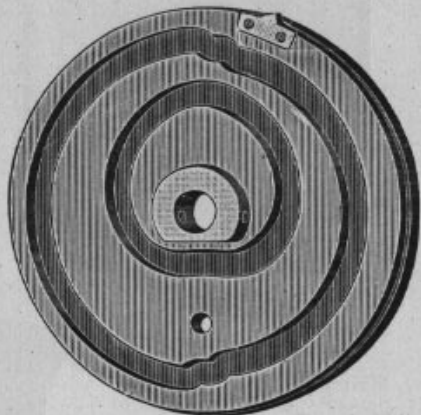


PLATE 4035—ONE-HALF SIZE

23632



23698



40024

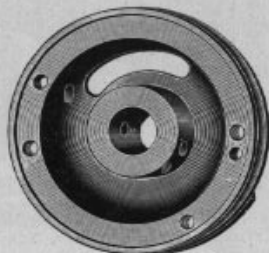
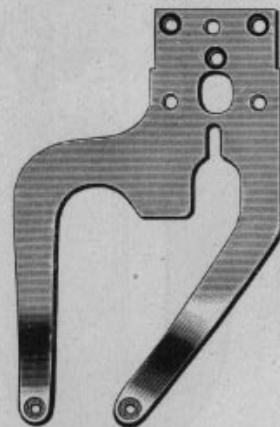
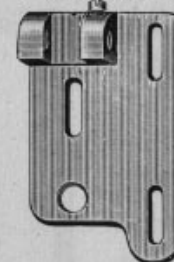


PLATE 4039—ONE-HALF SIZE

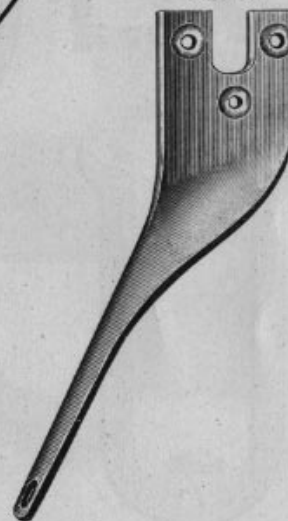
39539



39540



39717



39542



39543



PLATE 4040—FULL SIZE

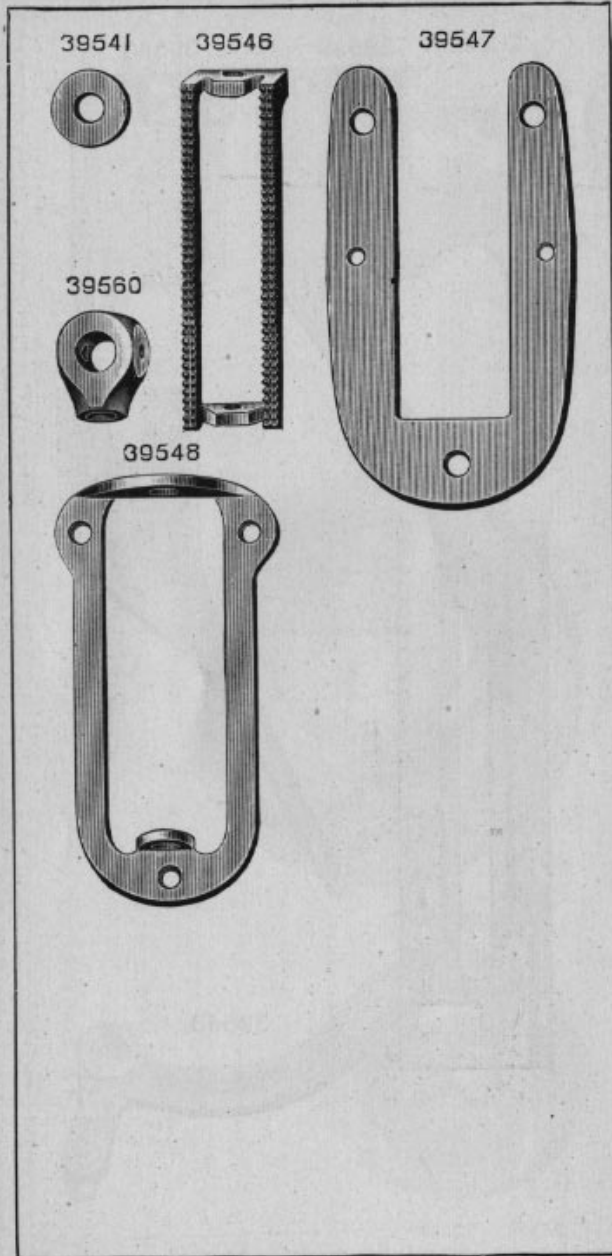


PLATE 4042—ONE-HALF SIZE

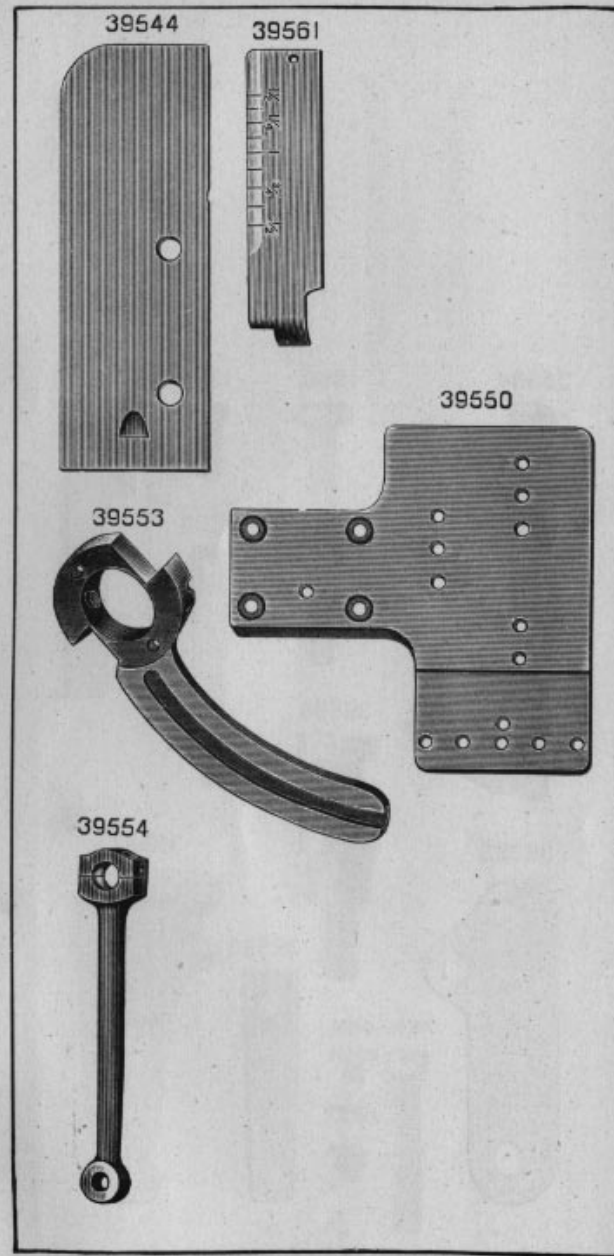


PLATE 4045—FULL SIZE

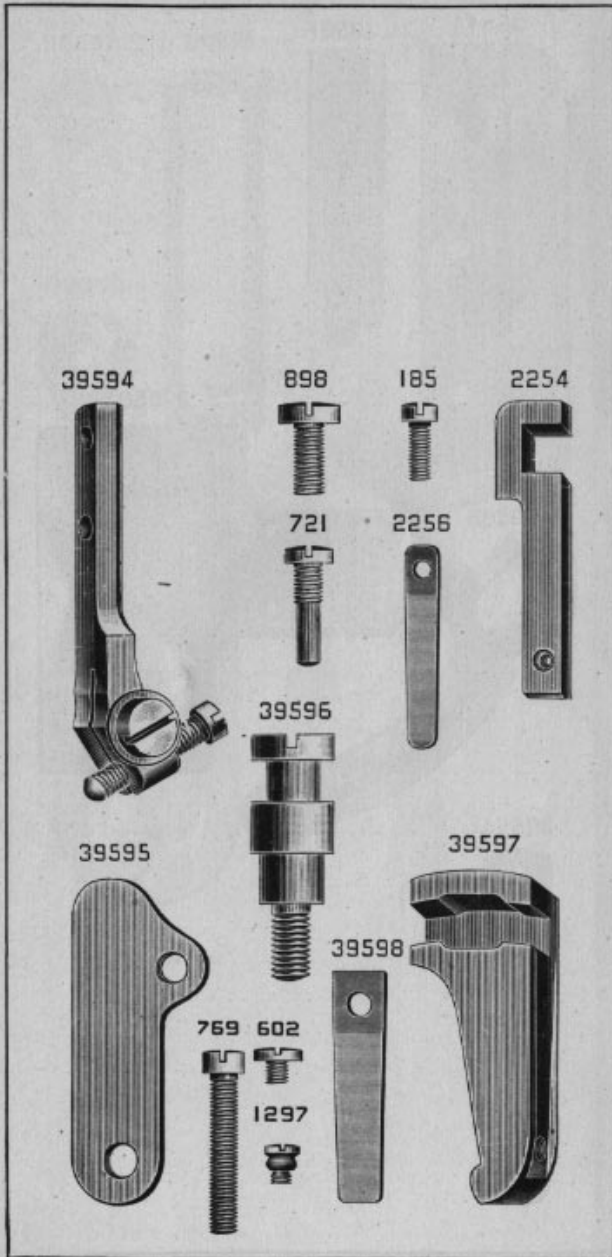


PLATE 4047—ONE-FOURTH SIZE

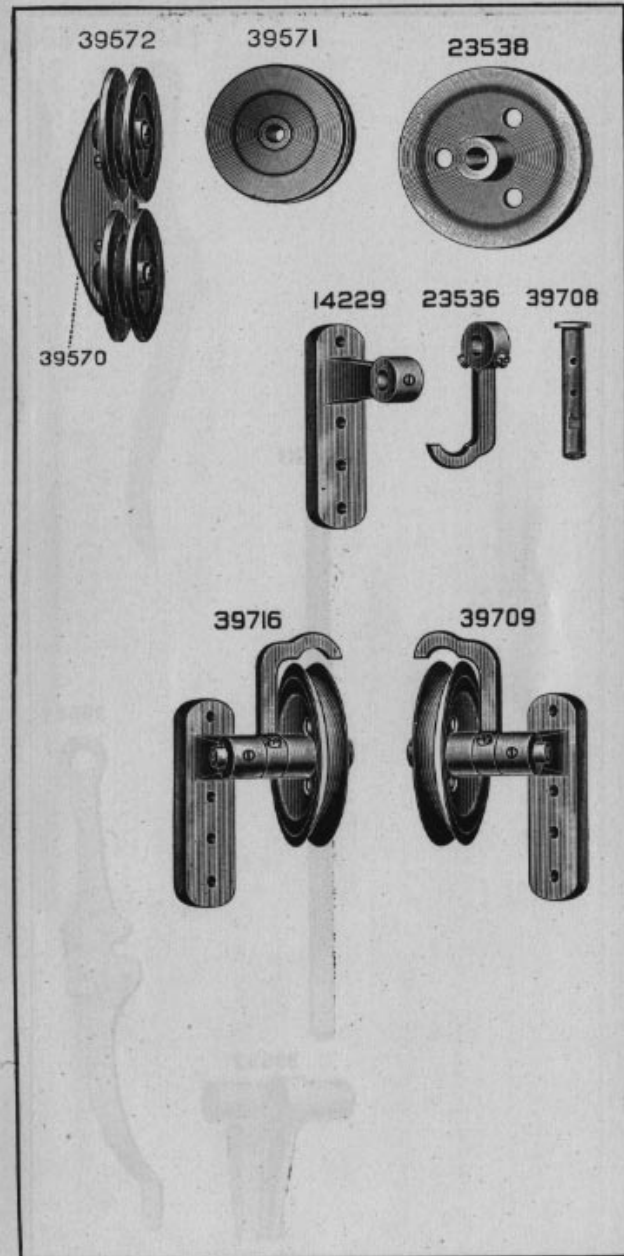


PLATE 4048—ONE-HALF SIZE

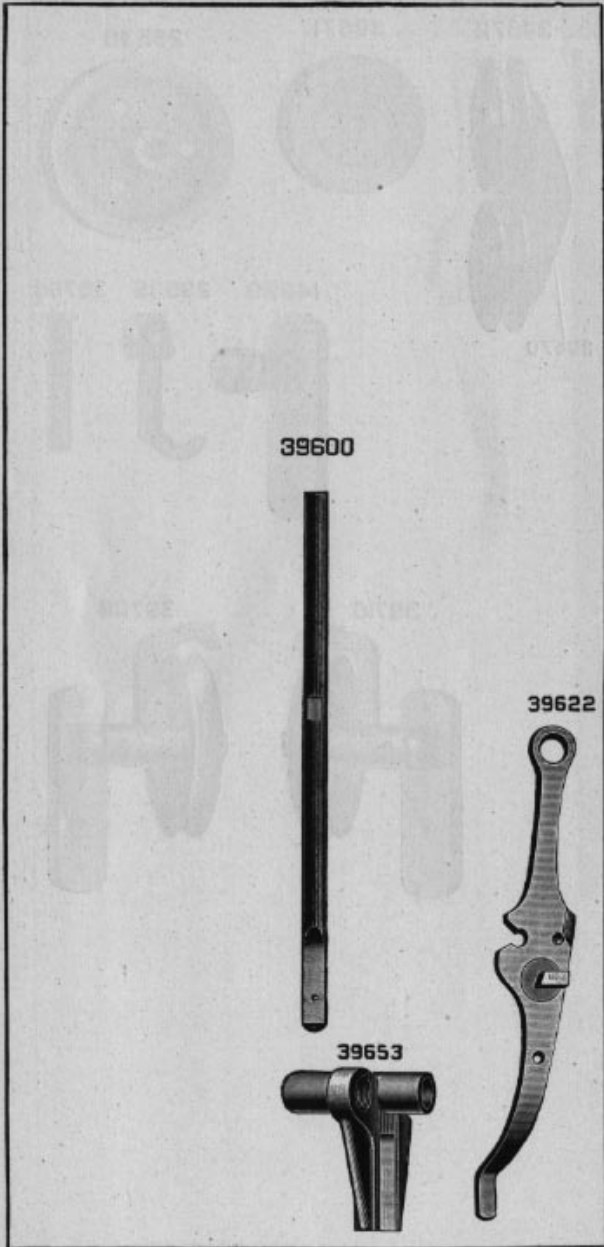


PLATE 4051—ONE-HALF SIZE



PLATE 4052—FULL SIZE

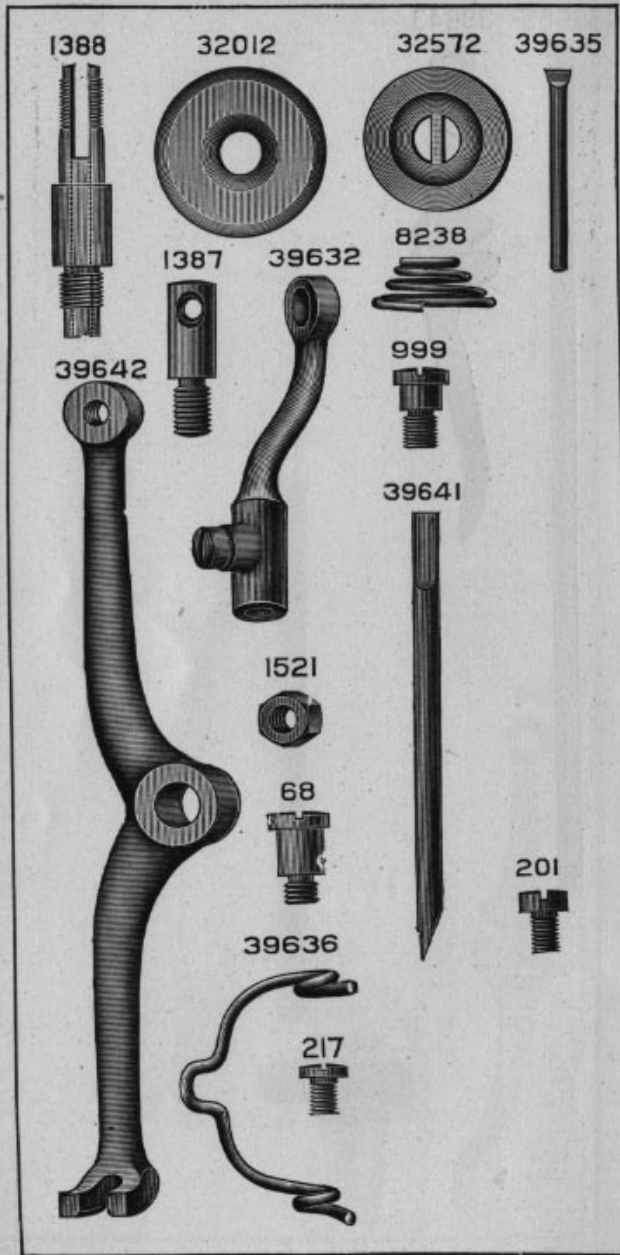


PLATE 4079—ONE-HALF SIZE

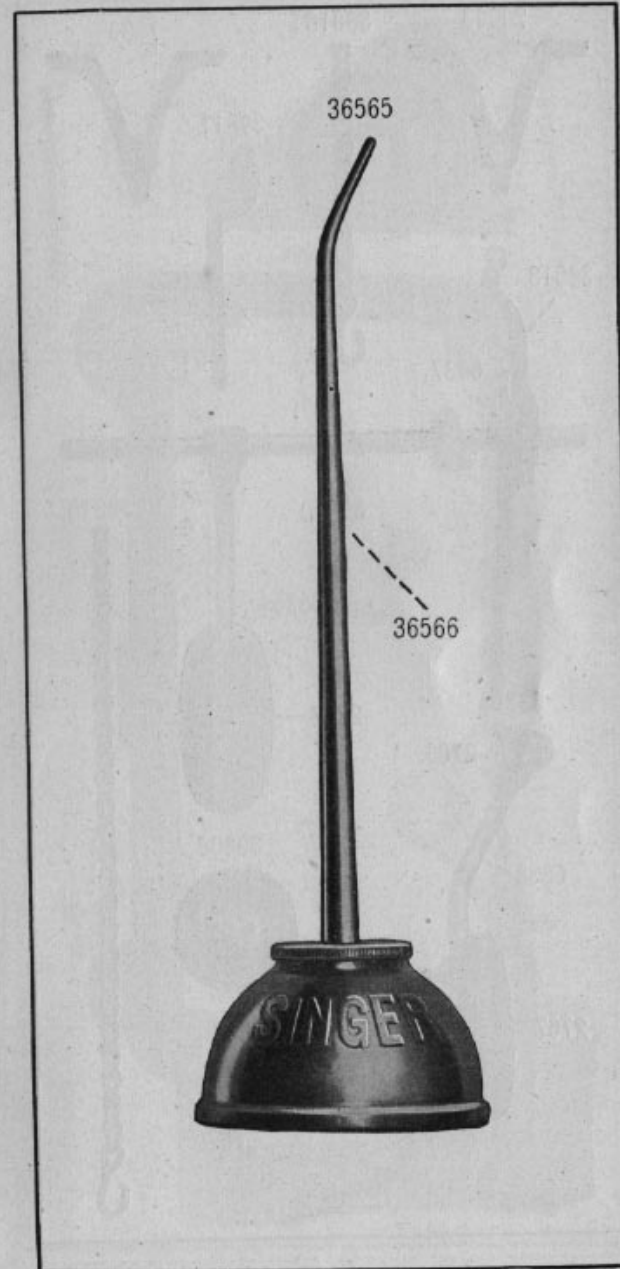


PLATE 4080—ONE-FOURTH SIZE

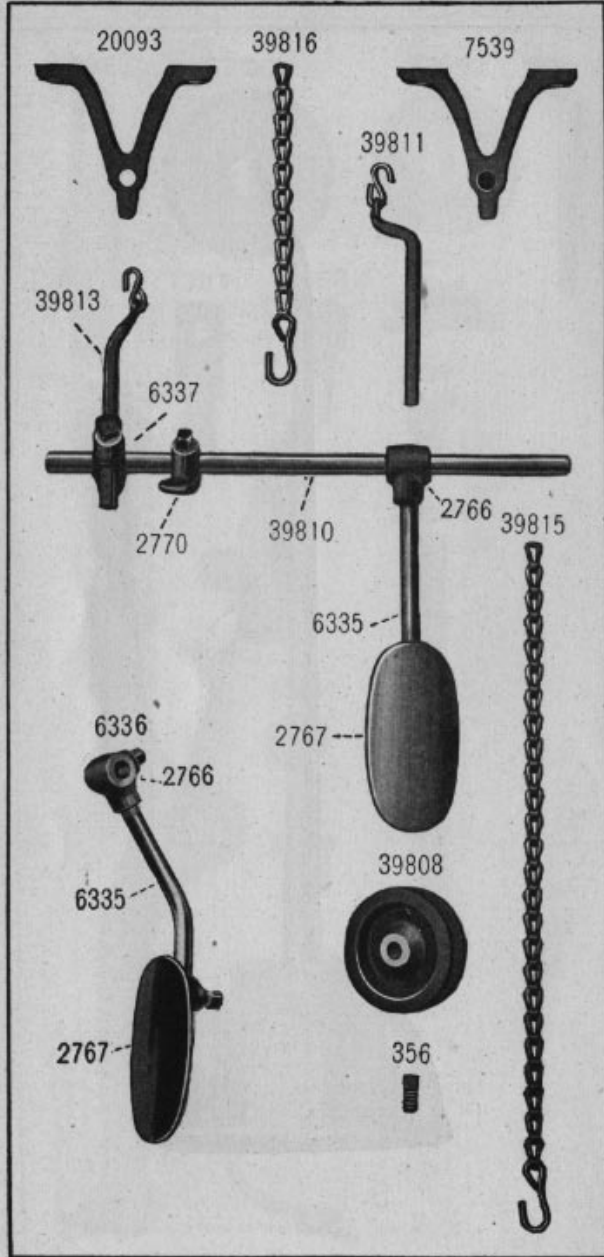


PLATE 4082—ONE-FOURTH SIZE

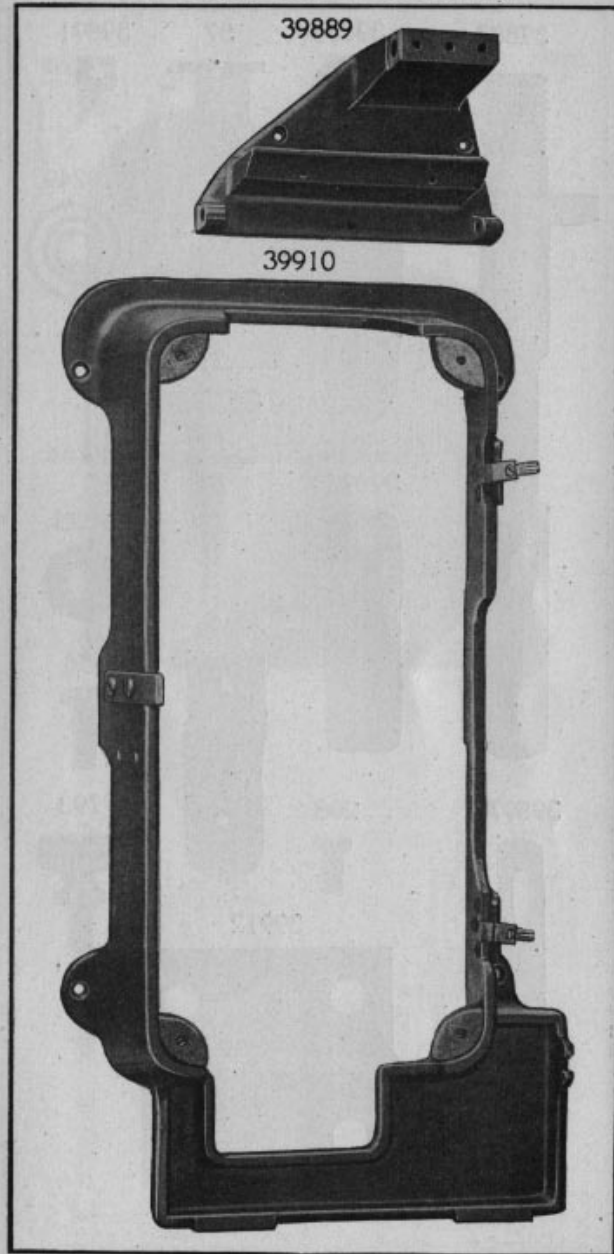


PLATE 4083—FULL SIZE

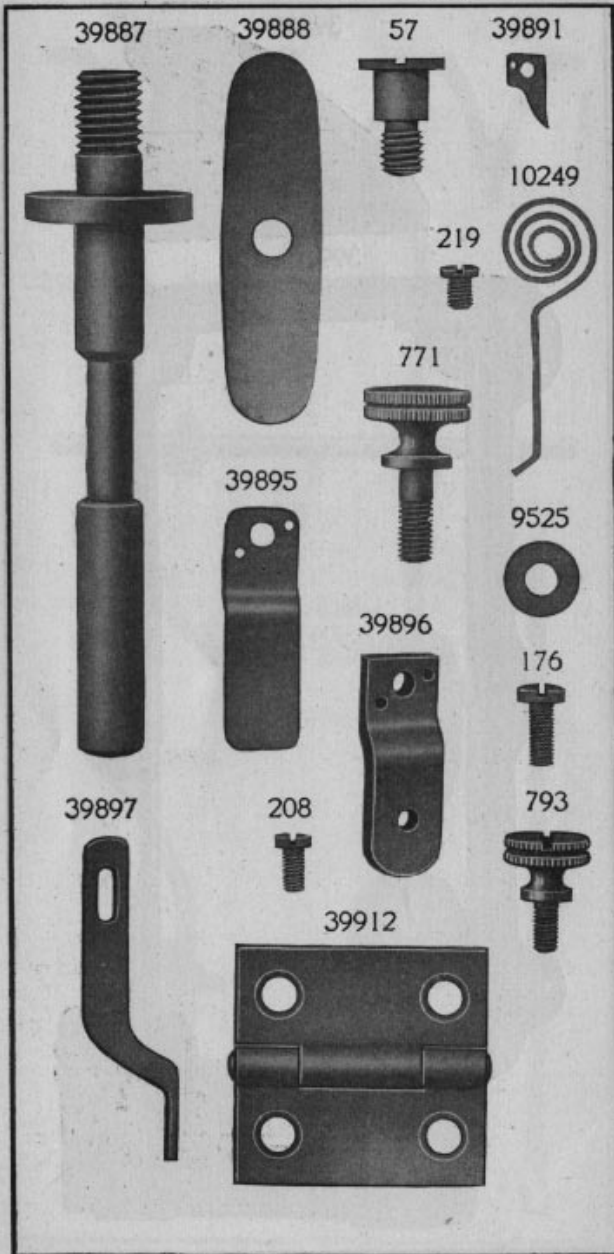


PLATE 4084—ONE-FOURTH SIZE

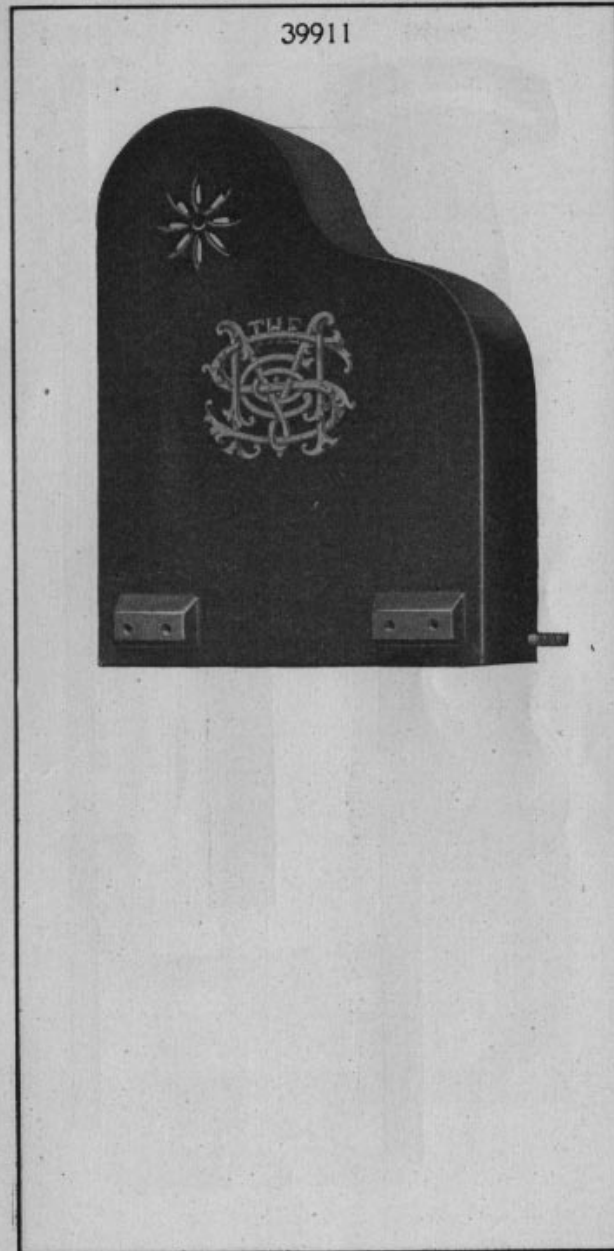
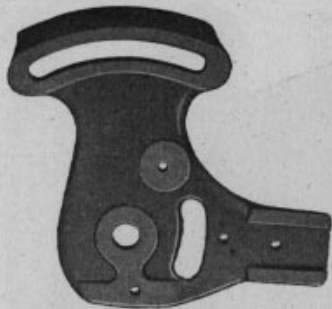


PLATE 4086—ONE-HALF SIZE

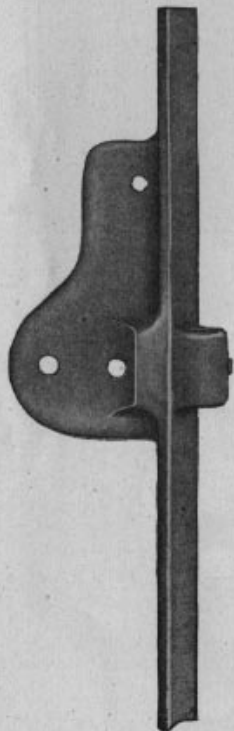
39890



39894



39892

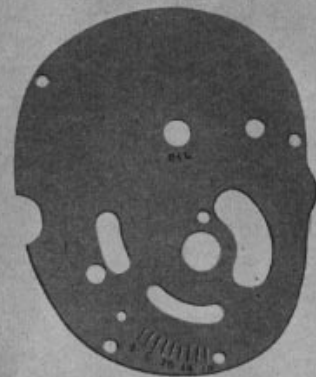


39893



PLATE 4095—ONE-HALF SIZE

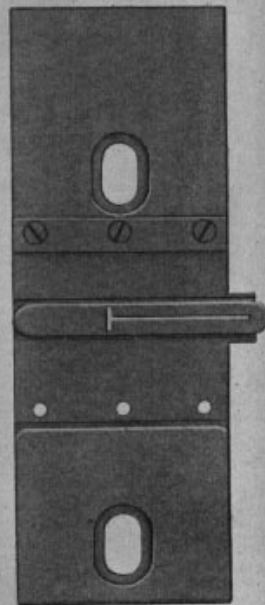
39640



39531



39614



39582

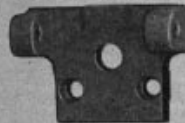


PLATE 4096—FULL SIZE

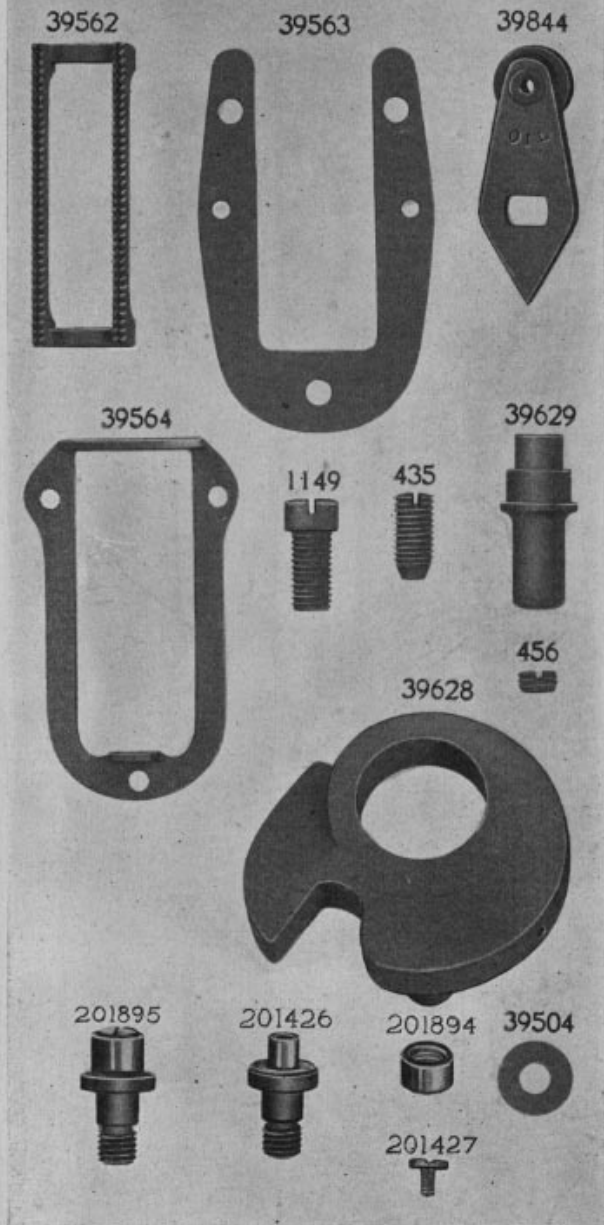


PLATE 11658—FULL SIZE

