

SINGER
491D

MACHINE PARTS CHART
for
SINGER*

491_D

NUMERICAL LIST OF PARTS FOR MACHINE 491D200AA

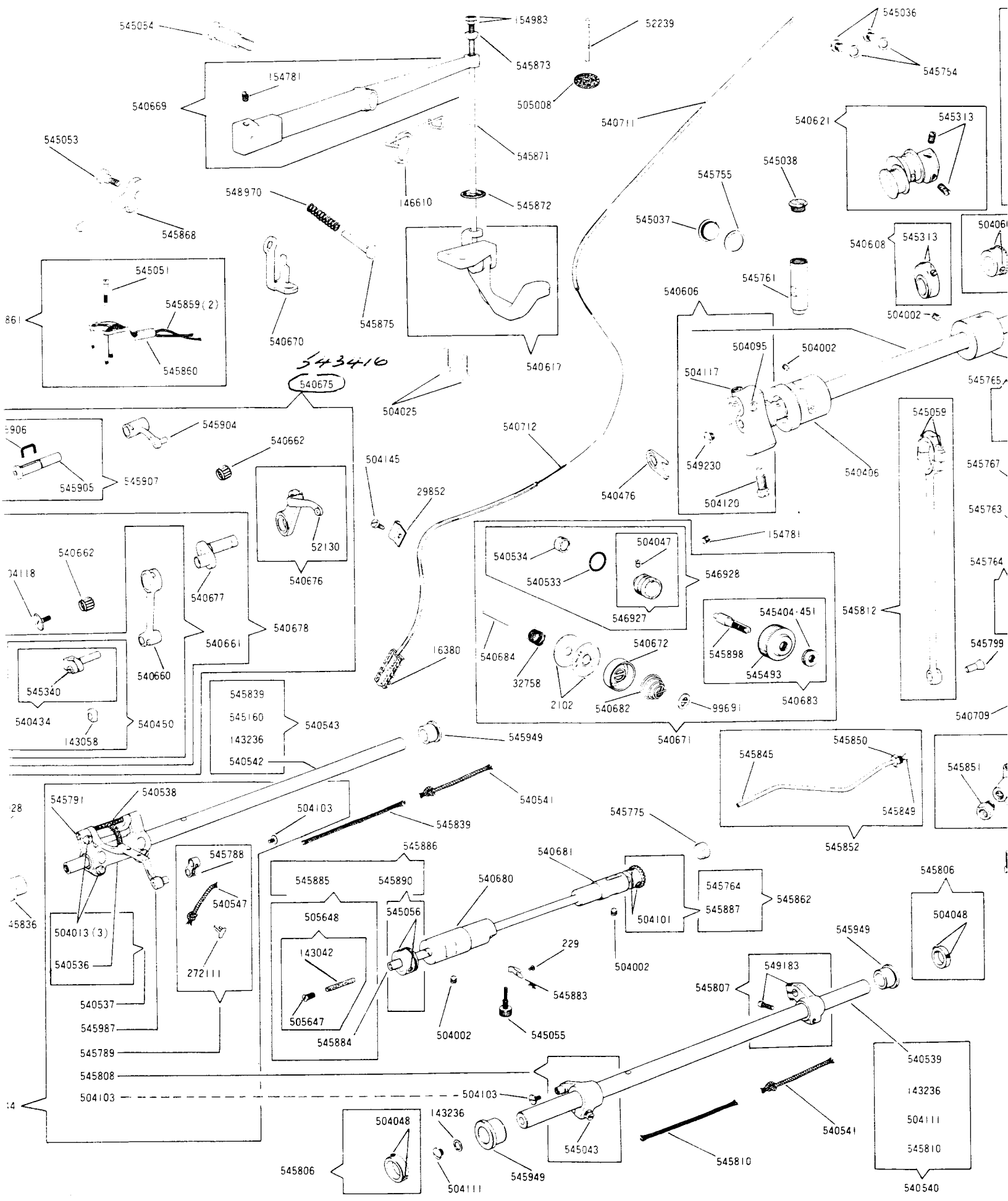
<u>PART NO.</u>	<u>DESCRIPTION</u>	<u>PART NO.</u>	<u>DESCRIPTION</u>
229 (805)	Rotating Hook Oil Flow Regulating Thumb Screw Spring Screw	504129 (850)	Needle Bar Bushing (lower) Set Screw
691 (850)	Throat Plate Screw (2)	504129 (850)	Needle Bar Bushing (upper) Set Screw
2102	Tension Disc (2)	504129 (850)	Presser Bar Bushing (lower) Set Screw
12431	Bed Slide	504134 (850)	Feed Regulating Dial Set Screw
16380	Oil Removing Lint Screen	504134 (850)	Feed Reverse Lever Hinge Stud Collar Set Screw
29852	Oil Removing Tube Retaining Clamp	504145 (809)	Oil Removing Tube Retaining Clamp Screw
32390	Rotating Hook Bobbin Case Holder Position Bracket	505001	Arm Dowel Pin (2)
32758	Thread Take-up Spring	505008	Arm Spool Pin Washer
40394	Rotating Hook Bobbin Case Tension Spring	505151	Tension Releasing Lever Hinge Pin
52033	Throat Plate (small needle hole) for 149031	505152	Tension Releasing Lever Spring
52130	Thread Take-up Lever Thread Eyelet Bushing	505317	Bed Slide complete, Nos. 12431, 154884 and two 154789
52171	Needle Bar Bushing (lower) Thread Eyelet	505349	Rotating Hook Bobbin Case
52239	Arm Spool Pin and Thread Eyelet	505350	Rotating Hook Bobbin Case 505349 with 40394, 504086 and 504087
52454	Thread Retainer	505351	Rotating Hook Bobbin Case Hinge, Nos. 505353, 505354 and 505355
55623	Rotating Hook Bobbin	505353	Rotating Hook Bobbin Case Latch
99691	Tension Regulating Thumb Nut Washer	505354	Rotating Hook Bobbin Case Latch Lever
140411 (802)	Arm Shaft (horizontal) Screw (back)	505355	Rotating Hook Bobbin Case Latch Lever Fulcrum Pin
143042	Rotating Hook Shaft Oil Filter Wick (felt)	505356	Rotating Hook Bobbin Case Latch Spring
143058	Needle Bar Connecting Stud Slide Block	505358	Rotating Hook Bobbin Case complete, Nos. 504032, 505350, 505351 and 505356
143236	Feed Lifting Rock Shaft Oil Plug Screw Washer	505575	Presser Bar Spring
143236	Feed Rock Shaft Oil Plug Screw Washer	505643	Presser Foot (spring hinged) complete
146610	Presser Bar Lifting Lever Spring	505647	Rotating Hook Shaft Oil Filter Wick Holder
149031	Feed Dog 19 teeth (22 teeth per inch)	505648	Rotating Hook Shaft Oil Filter complete, Nos. 143042 and 505647
149111	Face Plate Plug	505649	Presser Bar Bushing (lower)
154781 (850)	Presser Bar Lifting Lever Pin Set Screw	540406	Arm Shaft (horizontal) Flanged Bushing (front)
154781 (850)	Thread Take-up Spring Regulator Set Screw	540434	Needle Bar Connecting Stud with 545340
154789 (809)	Bed Slide Spring Screw (2)	540450	Needle Bar Connecting Stud 540434 with 143058
154884	Bed Slide Spring	540476	Thread Take-up Crank Wearing Plate
154983 (819)	Presser Bar Lifting Lever Connecting Rod Nut (2)	540524	Needle Bar Bushing (lower)
272111	Feed Bar Connecting Link Oil Wick Clamp	540528	Needle Bar Bushing (lower) Felt
504002 (850)	Arm Shaft (horizontal) Bushing (center) Set Screw	540533	Thread Take-up Spring Regulator O-ring
504002 (850)	Arm Shaft (horizontal) Flanged Bushing (back) Set Screw	540534	Thread Take-up Spring Regulator Rubber Cap
504002 (850)	Arm Shaft (horizontal) Flanged Bushing (front) Set Screw	540536	Feed Bar Carrier
504002 (850)	Rotating Hook Shaft Bushing (back) Set Screw	540537	Feed Bar Carrier 540536 with three 504013
504002 (850)	Rotating Hook Shaft Bushing (front) Set Screw	540538	Feed Bar Carrier Oil Wick (felt)
504002 (850)	Thread Take-up Lever Link Hinge Stud Set Screw	540539	Feed Lifting Rock Shaft
504010 (829)	Arm Side Shield Screw	540540	Feed Lifting Rock Shaft complete, Nos. 143236, 504111, 540539 and 545810
504010 (829)	Thread Take-up Lever Guard Screw	540541	Feed Lifting Rock Shaft Oil Wick (outer) (cotton)
504010 (829)	Thread Take-up Lever Oil Guard Screw	540541	Feed Rock Shaft Oil Wick (outer) (cotton)
504013 (850)	Feed Bar Carrier Clamping Screw (2)	540542	Feed Rock Shaft
504013 (850)	Feed Bar Hinge Pin Clamping Screw	540543	Feed Rock Shaft complete, Nos. 143236, 540542, 545160 and 545839
504025 (850)	Bell Crank Bracket Set Screw (2)	540544	Feed Bar complete, Nos. 540537, 540538, 545789, 545791, 545808, 545987 and two 504103
504025 (850)	Feed Reverse Lever Hinge Stud Crank Clamping Screw	540547	Feed Bar Connecting Link Oil Wick (cotton)
504028 (850)	Feed Rock Shaft Flanged Bushing (front) Set Screw	540549	Thread Guard (side of arm)
504029 (833)	Feed Rock Shaft Driving Frame Hinge Pin Set Screw (2)	540606	Arm Shaft (horizontal) and Needle Bar Crank with 504095, 504117, 504120 and 549230
504032 (805)	Rotating Hook Bobbin Case Latch Stop Screw	540608	Arm Shaft (horizontal) Thrust Collar with two 545313
504047 (833)	Tension Stud Set Screw	540610	Arm Side Shield with 545770 and 545771
504048	Feed Lifting Rock Shaft Collar Set Screw	540612	Arm Top Cover with 540665 and 545773
504048	(Spec. No. 1050) (4)	540617	Bell Crank complete
504048	Feed Rock Shaft Collar Set Screw (Spec. No. 1050) (2)	540619	Face Plate with 149111 and 546925
504051 (850)	Feed Dog Screw (2)	540621	Feed and Feed Lifting Eccentric with two 545313
504051 (850)	Feed Regulating Dial Stopper Screw	540623	Feed Regulating Dial with 545492, 540689 and 504134
504063 (809)	Presser Foot Screw	540624	Feed Regulating Dial Lock Pin
504063 (809)	Slack Thread Regulator Screw	540625	Feed Regulating Dial Lock Pin Spring
504064 (805)	Arm Screw (intermediate)	540626	Feed Regulating Plate
504066 (833)	Arm Shaft (horizontal) Bevel Gear Set Screw (2)	540628	Feed Reverse Lever with 504071
504071 (810)	Feed Reverse Lever Clamping Screw	540629	Feed Reverse Lever complete, Nos. 504051, 540623, 540624, 540625, 540628, 540690, 549382 and 549383
504071 (810)	Oil Pump (centrifugal) (body) Screw (3)	540630	Feed Reverse Lever Hinge Stud
504084 (810)	Rotating Hook Bobbin Case Holder Position Bracket Screw	540631	Feed Reverse Lever Hinge Stud 540630 with 545047 and 545825
504086 (806)	Rotating Hook Bobbin Case Tension Regulating Screw	540633	Feed Reverse Lever Hinge Stud Collar with 504134
504087 (806)	Rotating Hook Bobbin Case Tension Spring Screw	540635	Feed Reverse Lever Hinge Stud Crank with 504025
504094 (833)	Thread Retainer Set Screw	540636	Feed Reverse Lever Hinge Stud Crank Connecting Link
504095 (850)	Thread Take-up Crank Set Screw	540637	Feed Reverse Lever Hinge Stud Flanged Bushing
504099 (809)	Arm Top Cover Screw (4)	540638	Feed Reverse Lever Hinge Stud Crank Connecting Link Washer (2)
504101 (850)	Arm Shaft (upright) Bevel Gear (lower) Set Screw (2)	540639	Feed Reverse Lever Spring
504101 (850)	Rotating Hook Shaft Bevel Gear Set Screw (2)	540641	Feed Reverse Lever Spring Retainer
504102 (833)	Arm Shaft (upright) Bevel Gear (upper) Set Screw (2)	540642	Feed Reverse Lever Spring Screw Collar
504103 (803)	Feed Bar Connecting Link Cap Screw (2)	540644	Feed Rock Shaft Crank with 549183 and 545181
504111 (809)	Feed Lifting Rock Shaft Oil Plug Screw		
504112 (850)	Needle Set Screw		
504117 (850)	Thread Take-up Crank Clamping Screw		
504118 (803)	Needle Bar Connecting Link Cap Screw		
504119 (850)	Machine Pulley Set Screw (2)		
504120 (850)	Needle Bar Crank Position Screw		

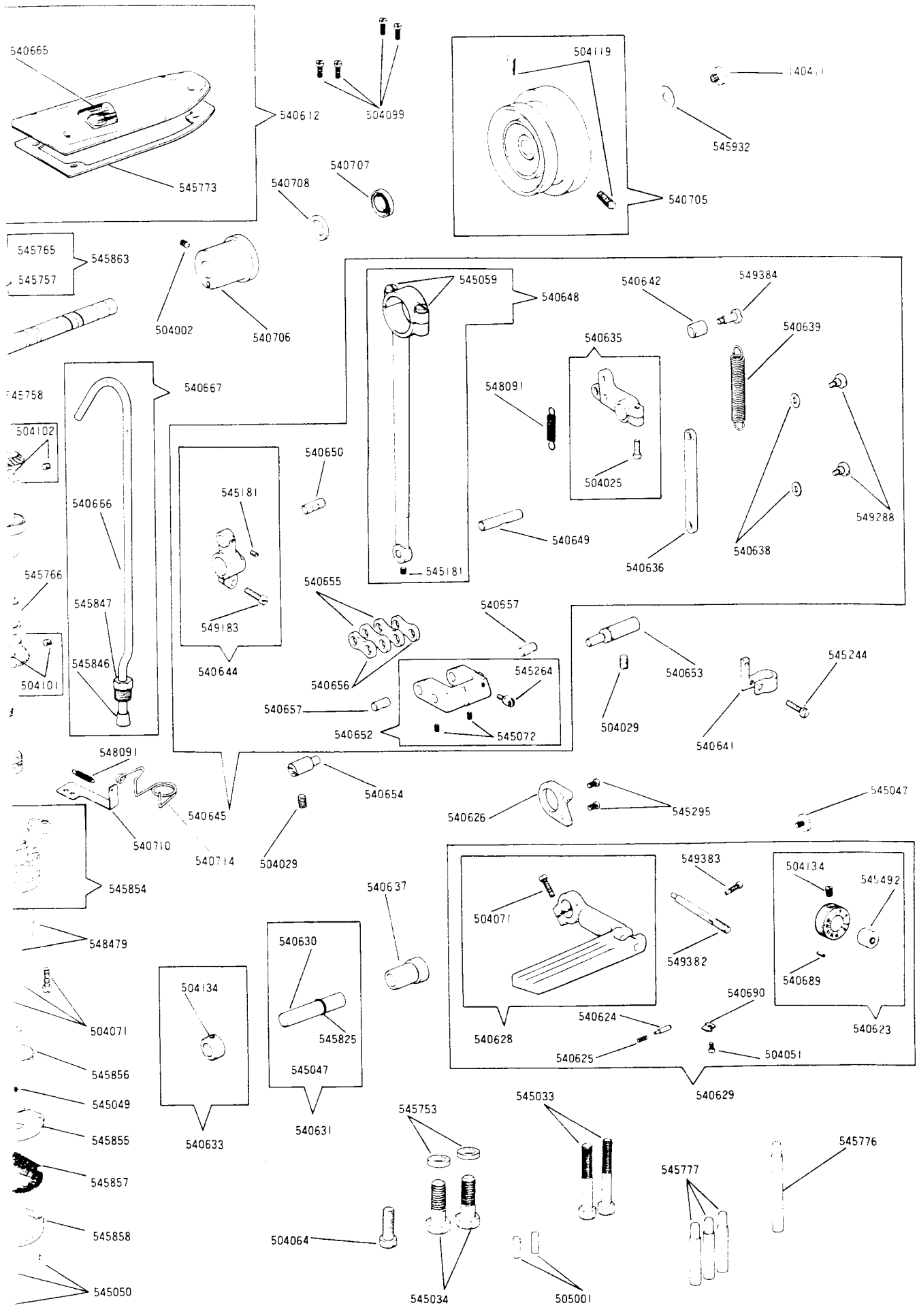
NUMERICAL LIST OF PARTS FOR MACHINE 491D200AA

<u>PART NO.</u>	<u>DESCRIPTION</u>	<u>PART NO.</u>	<u>DESCRIPTION</u>
540645	Feed Rock Shaft Driving Frame complete, Nos. 540635, 540636, 540639, 540642, 540644, 540648, 540649, 540650, 540652, 548091, 549384, two each 540638, 540655, 540656, 540657 and 549288	545160 (809)	Feed Rock Shaft Oil Plug Screw
		545181 (803)	Feed Rock Shaft Crank Connecting Rod Pin Set Screw
540648	Feed Rock Shaft Crank Connecting Rod with 545181 and two 545059	545181 (803)	Feed Rock Shaft Crank Pin Set Screw
540649	Feed Rock Shaft Crank Connecting Rod Pin	545244 (805)	Feed Reverse Lever Spring Retainer Screw
540650	Feed Rock Shaft Crank Pin	545264 (804)	Feed Rock Shaft Driving Frame Spring Stud
540652	Feed Rock Shaft Driving Frame with 545264 and two 545072	545295 (805)	Feed Regulating Plate Screw (2)
540653	Feed Rock Shaft Driving Frame Hinge Pin (back)	545313 (803)	Arm Shaft (horizontal) Thrust Collar Set Screw (2)
540654	Feed Rock Shaft Driving Frame Hinge Pin (front)	545313 (803)	Feed and Feed Lifting Eccentric Set Screw (2)
540655	Feed Rock Shaft Driving Link (large) (2)	545340 (806)	Needle Bar Connecting Stud Clamping Screw
540656	Feed Rock Shaft Driving Link (small) (2)	545403 (819)	Presser Bar Guide and Pressure Regulating Thumb Screw Lock Nut
540657	Feed Rock Shaft Driving Link (small) Pin (2)	545404 (451)	Tension Regulating Thumb Nut Lock Nut (Spec. No. 1019)
540660	Needle Bar Connecting Link	545492	Feed Regulating Nut (Spec. No. 1050)
540661	Needle Bar Connecting Link 540660 with 540450	545493	Tension Regulating Thumb Nut (Spec. No. 1019)
540662	Needle Bar Connecting Link Roller Bearing	545753	Arm Screw (front) Washer (2)
540662	Thread Take-up Lever Roller Bearing	545754	Arm Shaft (upright) Bevel Gear (upper) Set Screw Hole Plug Screw Gasket (2)
540663	Needle Bar Thread Guard	545755	Thread Take-up Crank Clamping Screw Hole Plug Screw Gasket
540665	Oil Flow Window	545757	Arm Shaft (horizontal) Bevel Gear with two 504066
540666	Oil Pipe	545758	Arm Shaft (horizontal) Bushing (center)
540667	Oil Pipe complete, Nos. 540666, 545846 and 545847	545761	Arm Shaft (horizontal) Flanged Bushing (front) Oil Tube
540669	Presser Bar Lifting Lever with 154781	545763	Arm Shaft (upright)
540670	Presser Bar Lifting Lever Link	545764	Arm Shaft (upright) Bevel Gear (lower) Right Hand Spiral with two 504101
540671	Tension complete, Nos. 32758, 99691, 540672, 540682, 540683, 540684, 546928 and two 2102	545765	Arm Shaft (upright) Bevel Gear (upper) Left Hand Spiral with two 504102
540672	Tension Releasing Disc	545766	Arm Shaft (upright) Bushing (lower)
540673	Tension Releasing Lever (body) 545894 with 545057 and 540674	545767	Arm Shaft (upright) Bushing (upper)
540674	Tension Releasing Lever Segment	545770	Arm Side Shield Wick Spring Holder
540675	Thread Take-up complete, Nos. 540662, 540676, 540678, 545904 and 545907	545771	Arm Side Shield Wick
540676	Thread Take-up Lever with 52130	545773	Arm Top Cover Gasket
540677	Thread Take-up Crank	545775	Bed Hole Plug
540678	Thread Take-up Crank 540677 with 504118, 540661 and 540662	545776	Bed Leg (long)
540680	Rotating Hook Shaft Bushing (front)	545777	Bed Leg (short) (3)
540681	Rotating Hook Shaft Bushing (back)	545788	Feed Bar Connecting Link
540682	Tension Spring	545789	Feed Bar Connecting Link 545788 with 272111 and 540547
540683	Tension Stud 545898 with 545493 and 545404-451	545791	Feed Bar Hinge Pin
540684	Tension Releasing Pin	545799	Feed Lifting Rock Shaft Crank (back) Connecting Rod Hinge Stud
540689	Feed Regulating Dial Pin	545806	Feed Lifting Rock Shaft Collar with two 504048 (2)
540690	Feed Regulating Dial Stopper	545807	Feed Lifting Rock Shaft Crank (back) with two 549183
540702	Needle Bar (hollow) with 504112	545808	Feed Lifting Rock Shaft Crank (front) with 545043
540703	Needle Bar Bushing (upper) Felt	545810	Feed Lifting Rock Shaft Oil Wick (cotton)
540705	Machine Pulley with two 504119	545812	Feed Lifting Rock Shaft Crank (back) Connecting Rod with two 545059
540706	Arm Shaft (horizontal) Flanged Bushing (back)	545817	Presser Bar (hollow) O-ring
540707	Arm Shaft (horizontal) Flanged Bushing (back) Oil Seal	545825	Feed Reverse Lever Hinge Stud O-ring
540708	Arm Shaft (horizontal) Flanged Bushing (back) Ring	545836	Feed Rock Shaft Flanged Bushing (front)
540709	Oil Removing Pump	545837	Feed Rock Shaft Collar with two 504048
540710	Oil Removing Pump Spring Bracket	545839	Feed Rock Shaft Oil Wick (cotton)
540711	Oil Removing Tube	545841	Needle Bar Bushing (upper)
540712	Oil Removing Tube Retaining Wire	545845	Oil Pipe
540714	Oil Removing Tube Retaining Spring	545846	Oil Pipe Clamping Sleeve
545033 (805)	Arm Screw (back) (2)	545847 (805)	Oil Pipe Clamping Sleeve Nut
545034 (805)	Arm Screw (front) (2)	545849	Oil Pipe Clamping Sleeve
545036 (819)	Arm Shaft (upright) Bevel Gear (upper) Set Screw Hole Plug Screw (2)	545850 (805)	Oil Pipe Clamping Sleeve Nut
545037 (819)	Thread Take-up Crank Clamping Screw Hole Plug Screw	545851	Oil Pipe Clamping Sleeve Nut Adapter
545038 (819)	Arm Shaft (horizontal) Flanged Bushing (front) Oil Tube Cap Screw	545852	Oil Pipe 545845 with 545849 and 545850 for Oiling Rotating Hook Shaft Bearing (front) 540680
545040 (809)	Face Plate Screw (short) (3)	545854	Oil Pump (centrifugal) (body) with 545851
545043 (819)	Feed Lifting Rock Shaft Crank (front) Clamping Screw	545855	Oil Pump (centrifugal) Cover
545047 (850)	Feed Reverse Lever Hinge Stud Cap Screw	545856	Oil Pump (centrifugal) Impeller
545049 (805)	Oil Pump (centrifugal) Impeller Locking Screw	545857	Oil Pump (centrifugal) Screen
545050 (805)	Oil Pump (centrifugal) Screen Frame Screw (3)	545858	Oil Pump (centrifugal) Screen Frame
545051 (850)	Oil Wick Holder Screw	545859	Oil Wick (cotton) (2)
545053 (850)	Presser Bar Lifter Hinge Screw	545860	Oil Wick Holder
545054 (850)	Presser Bar Lifting Lever Hinge Screw	545861	Oil Wick Holder complete, Nos. 545051, 545860 and two 545859
545055 (805)	Rotating Hook Oil Flow Regulating Thumb Screw	545862	Pair of Gears Nos. 545764 and 545887
545056 (803)	Rotating Hook Shaft Oil Retaining Collar Set Screw (2)	545863	Pair of Gears Nos. 545757 and 545765
545057 (819)	Tension Releasing Lever Screw	545864	Presser Bar (hollow)
545059 (810)	Feed Lifting Rock Shaft Crank (back) Connecting Rod Cap Screw (2)	545868	Presser Bar Lifter
545059 (810)	Feed Rock Shaft Crank Connecting Rod Cap Screw (2)	545871	Presser Bar Lifting Lever Connecting Rod
545072 (833)	Feed Rock Shaft Driving Link (small) Pin Set Screw (2)	545872	Presser Bar Lifting Lever Connecting Rod Oil Retaining Disc (felt)
545099 (803)	Presser Bar Guide Bracket Clamping and Tension Releaser Screw	545873	Presser Bar Lifting Lever Connecting Rod Swivel

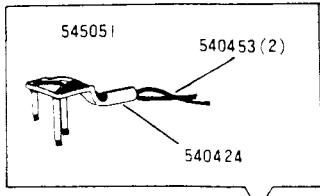
NUMERICAL LIST OF PARTS FOR MACHINE 491D200AA

<u>PART NO.</u>	<u>DESCRIPTION</u>	<u>PART NO.</u>	<u>DESCRIPTION</u>
545875	Presser Bar Lifting Lever Pin	540688	Thread Take-up Crank 540685 with 504118, 540661 and 540662, in place of 540678
545876	Presser Bar Guide and Pressure Regulating Thumb Screw 549363 with 545403	540696	Tension complete, Nos. 32758, 99691, 125314, 540672, 540683, 540684, 546928 and two 2102, in place of 540671
545883	Rotating Hook Oil Flow Regulating Thumb Screw Spring	540698	Needle Bar (hollow) with 504112, in place of 540702
545884	Rotating Hook Shaft	545935	Needle Bar Bushing (lower) Thread Eyelet, in place of 52171
545885	Rotating Hook Shaft 545884 with 505648	CAT.1901	Needle (135 x 7 #16)
545886	Rotating Hook Shaft 545885 with 545890		<u>ACCESSORIES AND ATTACHMENTS</u>
545887	Rotating Hook Shaft Bevel Gear (left hand spiral) with two 504101	41400	Machine Rest Pin (wood)
545890	Rotating Hook Shaft Oil Retaining Collar with two 545056	55623	Rotating Hook Bobbin (3)
545892	Slack Thread Regulator	505655-001	Universal Bobbin Winder complete (include two wood screws) (purchased assembly)
545894	Tension Releasing Lever (body)	505656-001	Thread Unwinder (for two spools) complete (include three wood screws) (purchased assembly)
545898	Tension Stud	540520	Machine Base and Oil Reservoir Cushion (front) (with two wire nails) (2)
545901	Thread Eyelet (side of arm)	540521	Machine Base and Oil Reservoir Cushion (back) (with two wire nails) (2)
545902	Thread Take-up Lever Guard	540522	Machine Hinge Connection (2)
545904	Thread Take-up Lever Link	540523	Machine Hinge Connection Cushion (2)
545905	Thread Take-up Lever Link Hinge Stud	541513	Screw Driver (large)
545906	Thread Take-up Lever Link Hinge Stud Oil Wick (cotton)	541514	Screw Driver (small)
545907	Thread Take-up Lever Link Hinge Stud 545905 with 545906	541515-001	Cloth Guide (purchased part)
545908	Thread Take-up Lever Oil Guard with 545909	545927	Oil Can (950 cc, filled with Singer Type "C" Oil)
545909	Thread Take-up Lever Oil Guard wick (cotton)	548701	Screw Driver (long)
545932	Arm Shaft (horizontal) Screw (back) Gasket	549184-001	Cloth Guide Screw (purchased part)
545949	Feed Lifting Rock Shaft Flanged Bushing (2)	CAT.1901	Needle (135 x 7 #14) (for 491D200AA) (3)
545949	Feed Rock Shaft Flanged Bushing (back)	CAT.1901	Needle (135 x 7 #16) (for 491D300AA) (3)
545950	Rotating Hook (body) with two 549182		<u>MACHINE BASE AND OIL RESERVOIR</u>
545951	Rotating Hook complete, Nos. 545950, 545954, 545955, three 549187 and four 549186	540471	Machine Base and Oil Reservoir Plug (2)
545954	Rotating Hook Section	540500	Machine Base and Oil Reservoir Gasket (rubber)
545955	Rotating Hook Thread Guard	545036 (819)	Machine Base and Oil Reservoir Oil Drain Plug Screw
545983	Presser Bar Guide Bracket with 545099	545064 (805)	Machine and Machine Base and Oil Reservoir Screw Hole Plug Screw
545987	Feed Bar	545754	Machine Base and Oil Reservoir Oil Drain Plug Screw Gasket (4)
545990	Rotating Hook and Rotating Hook Bobbin Case Holder complete, Nos. 545951 and 545994	545925	Machine and Machine Base and Oil Reservoir Screw with Washer (for shipping purposes only)
545991	Rotating Hook, Rotating Hook Bobbin Case Holder and Rotating Hook Bobbin Case complete, Nos. 505358 and 545990	545938	Machine Base and Oil Reservoir
545994	Rotating Hook Bobbin Case Holder		<u>KNEE LIFTER PARTS</u>
546925	Face Plate Gasket	505402	Rock Shaft Knee Arm Plate
546927	Thread Take-up Spring Regulator with 504047	540686	Rock Shaft Spring (coil)
546928	Thread Take-up Spring Regulator 546927 with 540533 and 540534	545912	Bell Crank Plunger
546933	Needle Bar Bushing (lower) 540524 with 52171	545913	Rock Shaft
548091	Feed Rock Shaft Driving Frame Spring	545915	Rock Shaft Crank
548091	Oil Removing Pump Spring	545917	Rock Shaft Knee Arm
548479	Oil Pump (centrifugal) (body) Position Pin (2)	545918	Rock Shaft Knee Arm Hub
548970	Presser Bar Lifting Lever Pin Spring	545921	Rock Shaft Spring
549128	Thread Eyelet (side of arm) Screw (Spec. No. 1003)	545922	Rock Shaft Stop Dog
549182 (803)	Rotating Hook Screw (2)	545923	Rock Shaft complete, Nos. 505402, 540686, 545913, 545915, 545917, 545918, 545921, 545922 and 546736
549183 (850)	Feed Lifting Rock Shaft Crank (back) Clamping Screw (2)	546736	Rock Shaft Spring (coil) Washer
549183 (850)	Feed Rock Shaft Crank Clamping Screw		<u>AVAILABLE AT EXTRA CHARGE</u>
549186 (806)	Rotating Hook Thread Guard Screw (4)	12481	Feed Dog for 12482 (for heavy material sewing)
549187 (803)	Rotating Hook Section Screw (3)	12482	Throat Plate for 12481 (for heavy material sewing)
549230 (805)	Arm Shaft (horizontal) Screw Plug (front)	52032	Throat Plate (large needle hole) for 149031
549288 (830)	Feed Reverse Lever Hinge Stud Crank Connecting Link Screw (2)	142060	Throat Plate (small needle hole) for 149057
549336 (825)	Thread Guard (side of arm) Screw	540695	Machine Pulley with two 504119 (part for trimmer device)
549363 (819)	Presser Bar Guide and Pressure Regulating Thumb Screw	545945	Box Wrench
549382	Feed Regulating Screw (Spec. No. 1050)	549230	Arm Shaft (horizontal) Screw Plug (back) (part for trimmer device)
549383	Feed Regulating Screw Guide Screw (Spec. No. 1003)		
549384	Feed Reverse Lever Spring Screw (Spec. No. 1019)		
CAT.1901	Needle (135 x 7 #14)		
	<u>PARTS FOR 491D300AA MACHINE WHICH DIFFER FROM 491D200AA MACHINE</u>		
125314	Tension Spring, in place of 540682		
142061	Throat Plate (large needle hole) for 149057, in place of 52033		
149057	Feed Dog, 21 teeth (22 teeth per inch), in place of 149031		
540424	Oil Wick Holder, in place of 545860		
540453	Oil Wick (cotton) (2), in place of 545859		
540525	Needle Bar Bushing (lower), in place of 540524		
540546	Needle Bar Bushing (lower) 540525 with 545935, in place of 546933		
540664	Oil Wick Holder complete, Nos. 540424, 545051 and two 540453, in place of 545861		
540685	Thread Take-up Crank, in place of 540677		
540687	Thread Take-up complete, Nos. 540662, 540676, 540688, 545904 and 545907, in place of 540675		

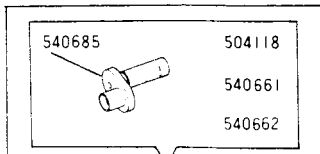




**PARTS FOR 491D300AA MACHINE
WHICH DIFFER FROM
491D200AA MACHINE**



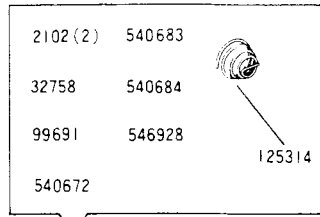
540664



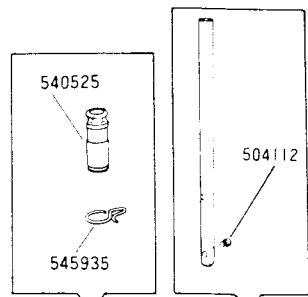
540688

540662 545904
540676 545907

540687



540696



540546

540698

CAT.1901

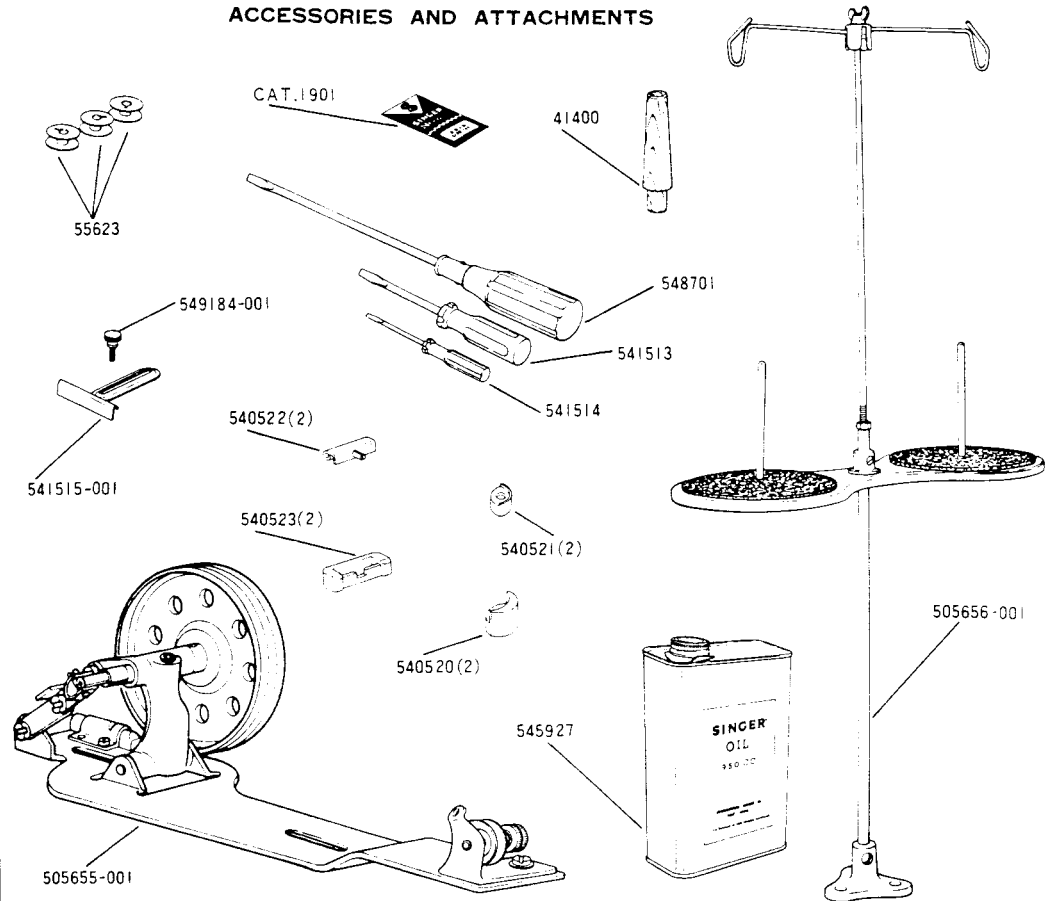


142061



149057

ACCESSORIES AND ATTACHMENTS



CAT.1901

41400

55623

549184-001

548701

541513

541514

540522(2)

541515-001

540521(2)

540523(2)

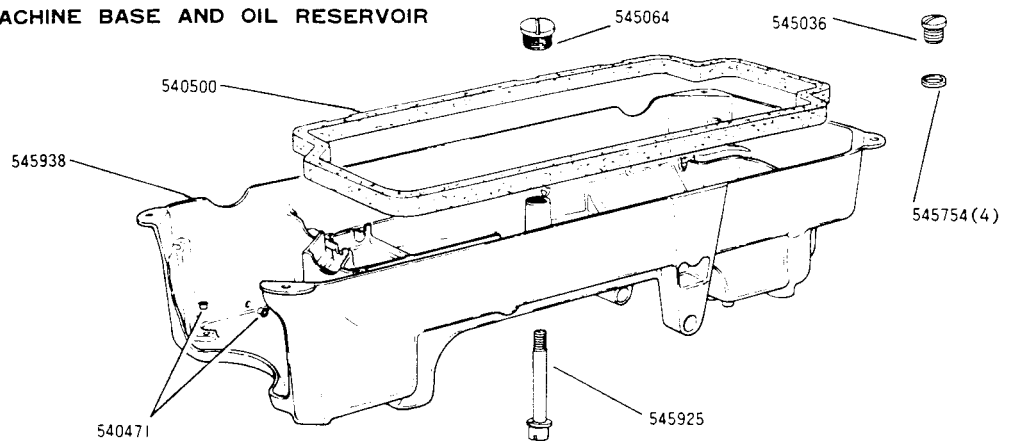
540520(2)

545927

505655-001

505656-001

MACHINE BASE AND OIL RESERVOIR



545064

545036

540500

545938

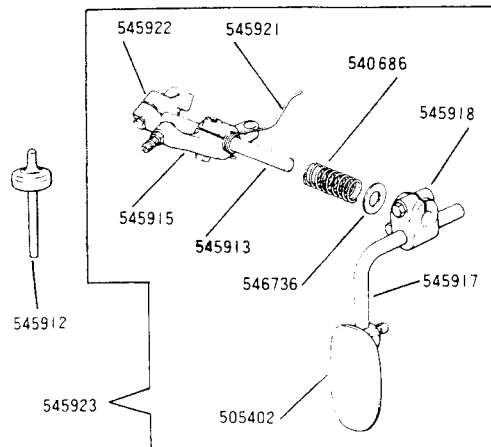
545754(4)

540471



545925

KNEE LIFTER PARTS



545922

545921

540686

545918

545915

545913

546736

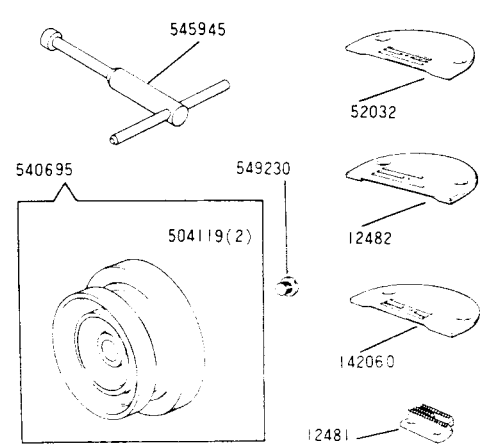
545917

545912

545923

505402

AVAILABLE AT EXTRA CHARGE



545945

52032

540695

549230

504119(2)

12482

142060

12481