

ILLUSTRATED PARTS LIST

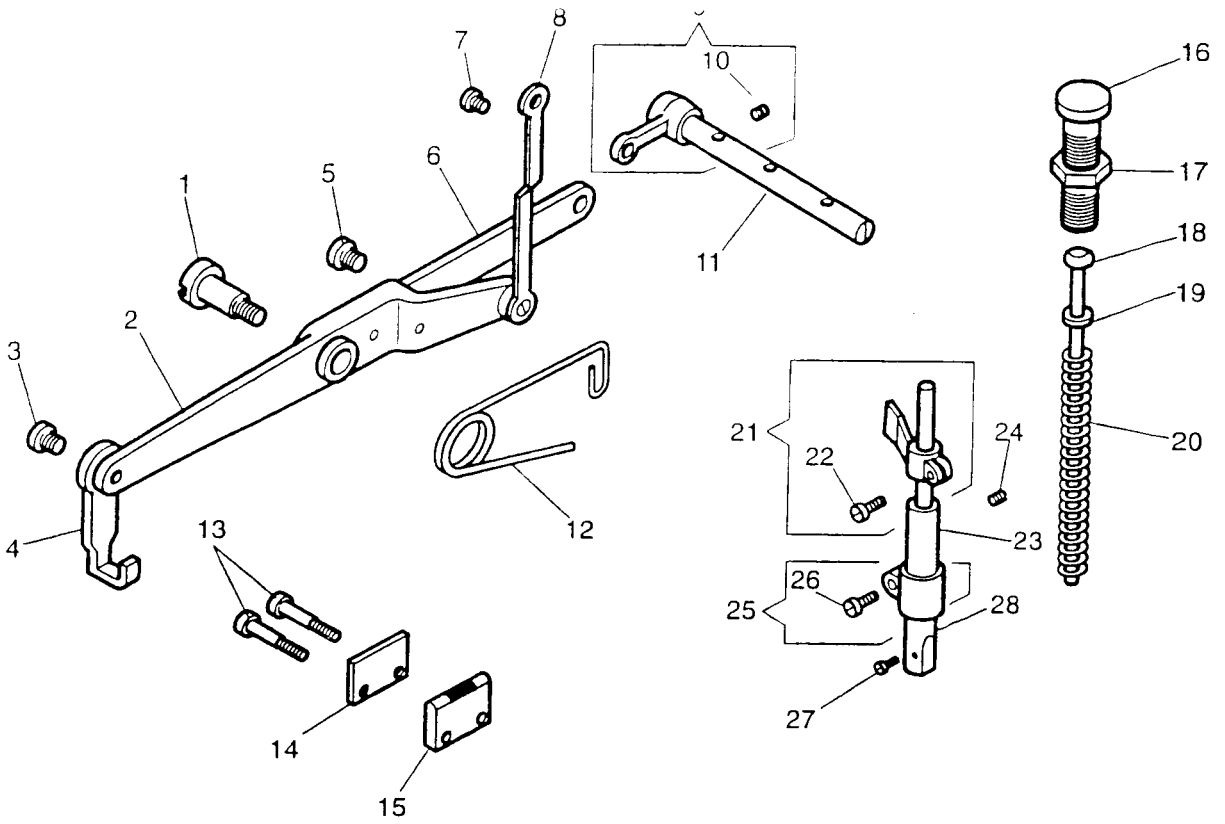
FOR
SINGER®

MACHINE

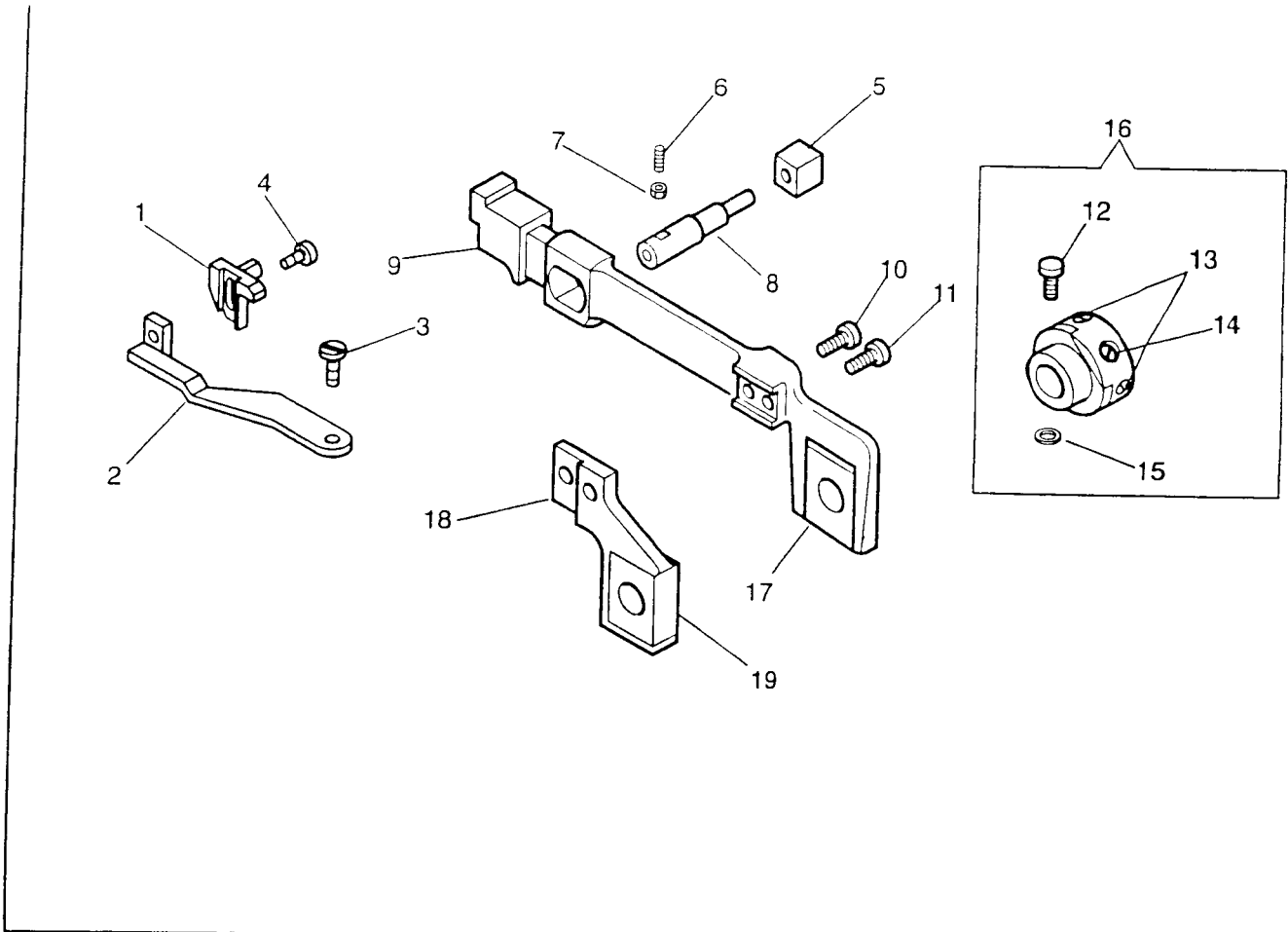
261U 21A
23A

CONTENTS

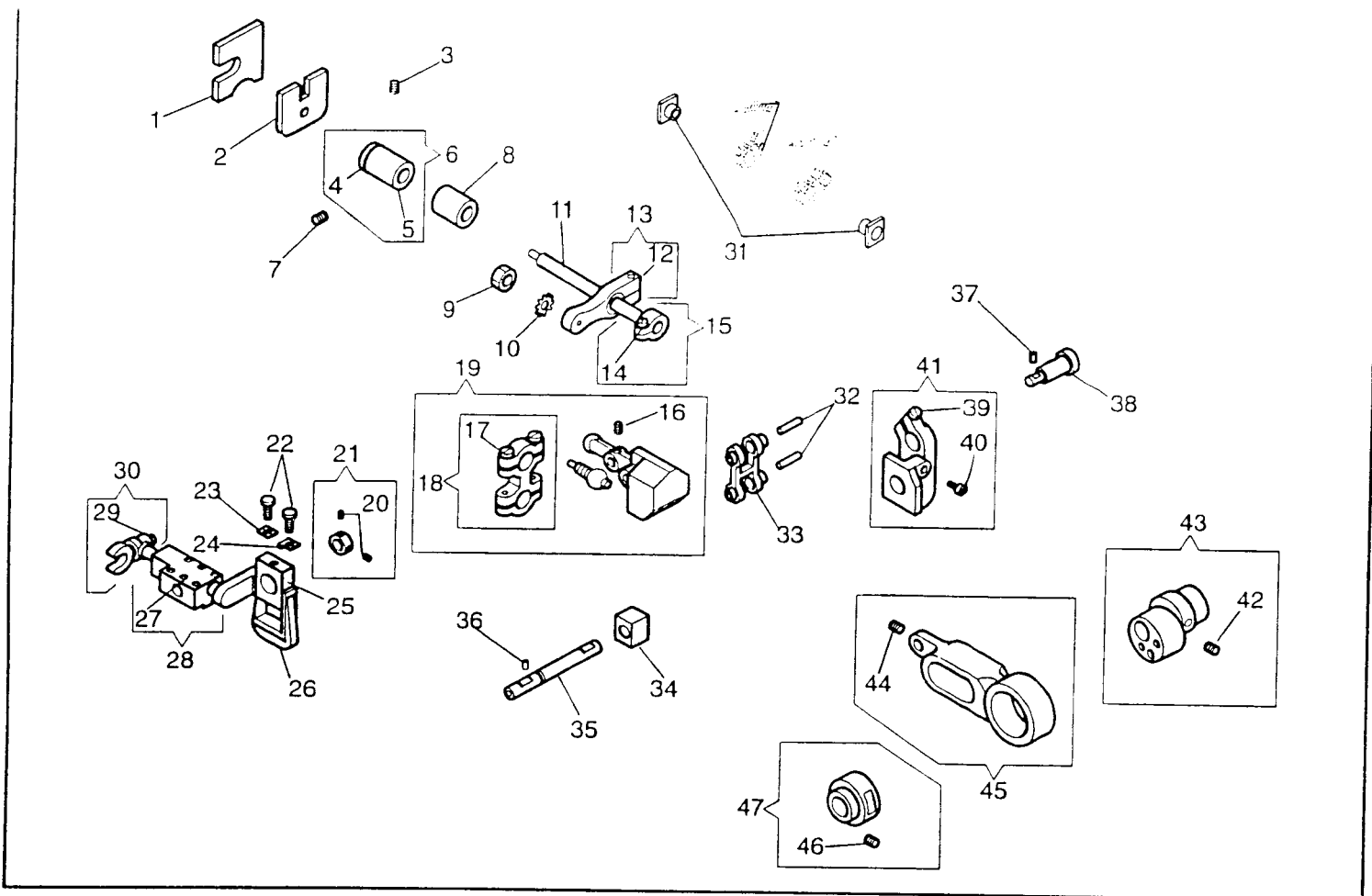
1. Presser Bar and Thread Cutter	1
2. Feed Mechanism and Needle Guard	2
3. Looper Mechanism	3
4. Upright Shaft and Lubrication System	4
5. Arm Shaft and Machine Pulley	5
6. Needle Bar and Take-up Lever	6
7. Bed Rotary Shaft	7
8-1. Looper Thread Guide	8
8-2. Looper Thread Guide and Belt Guard	9
9. Needle Thread Guide and Tension	10
10-1. Covers	11
10-2. Covers	12
11. Oil Reservoir and Arm Screw	13
12. Others	14
13. Gauge parts	15



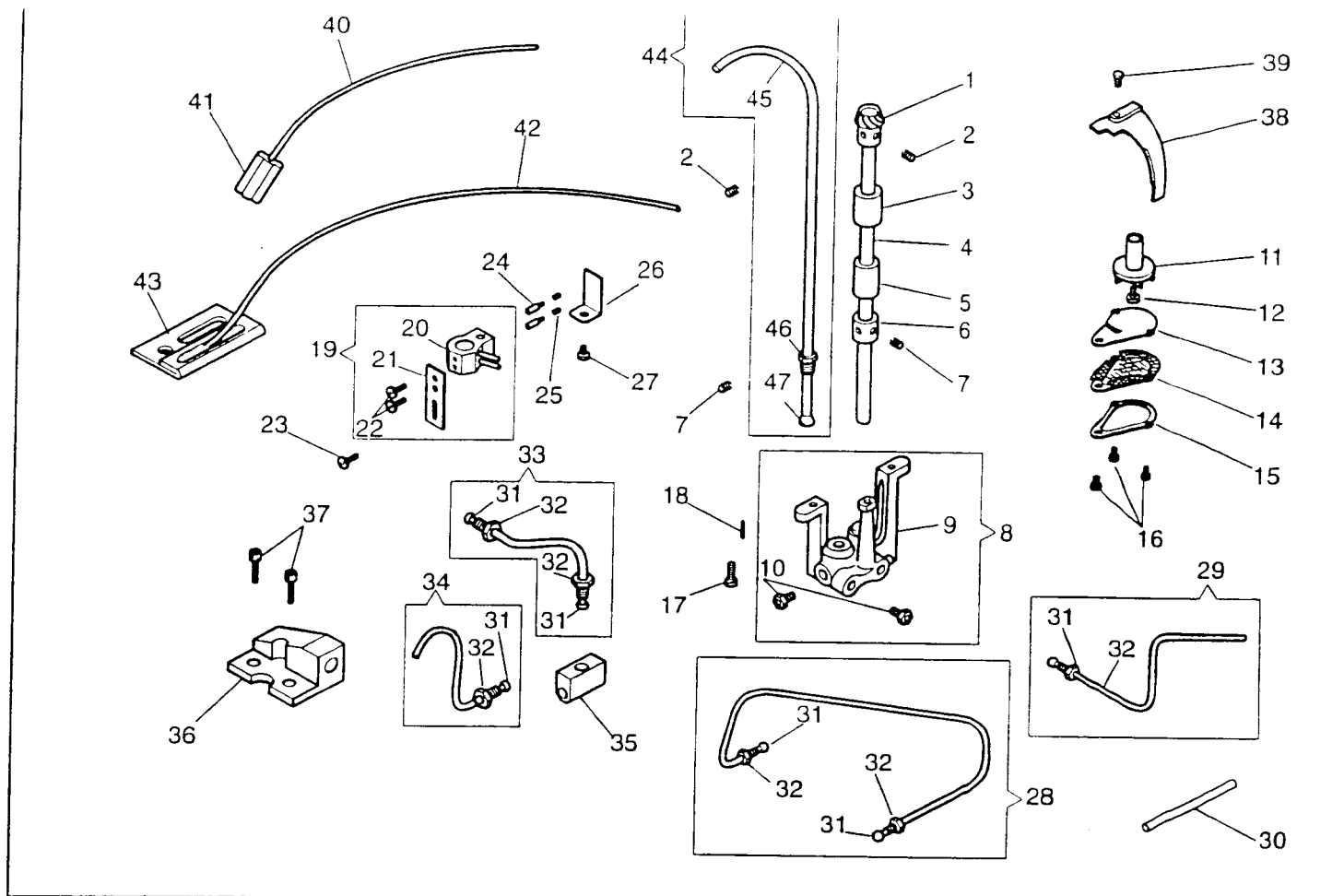
PART NO.	DESCRIPTION	21A	23A	PART NO.	DESCRIPTION	21A	23A
1	802 Hinge Screw	*	*				
2	416081 -469 Presser Bar Lifting Lever	*	*				
3	807 Hinge Screw	*	*				
4	146676 Presser Bar Lifting Bracket Lifter	*	*				
5	504076 Screw (2)	*	*				
6	146609 Presser Bar Lifting Lever Extension	*	*				
7	416130 Screw (2)	*	*				
8	146620 Connecting Link	*	*				
9	416024 Tension (needle thread) Releasing Shaft Crank Assembly	*	*				
10	504134 Set Screw	*	*				
11	68003 Releasing Shaft	*	*				
12	143511 -001 Spring	*	*				
13	50225 Screw (2)	*	*				
14	139181 Thread Cutter (Knife)	*	*				
15	143524 Thread Cutter Support and Guide	*	*				
16	416052 Thumb Screw	*	*				
17	416021 Nut	*	*				
18	32833 Guide Pin	*	*				
19	175032 Washer	*	*				
20	146159 Presser Bar Spring	*	*				
21	416115 Presser Bar Lifting Bracket Assembly	*	*				
22	416005 Screw	*	*				
23	146751 Presser Bar Bushing (lower)	*	*				
24	1133 Set Screw	*	*				
25	416116 Presser Bar Stop Assembly	*	*				
26	416134 Screw	*	*				
27	416134 Screw	*	*				
28	416041 Presser Bar	*	*				



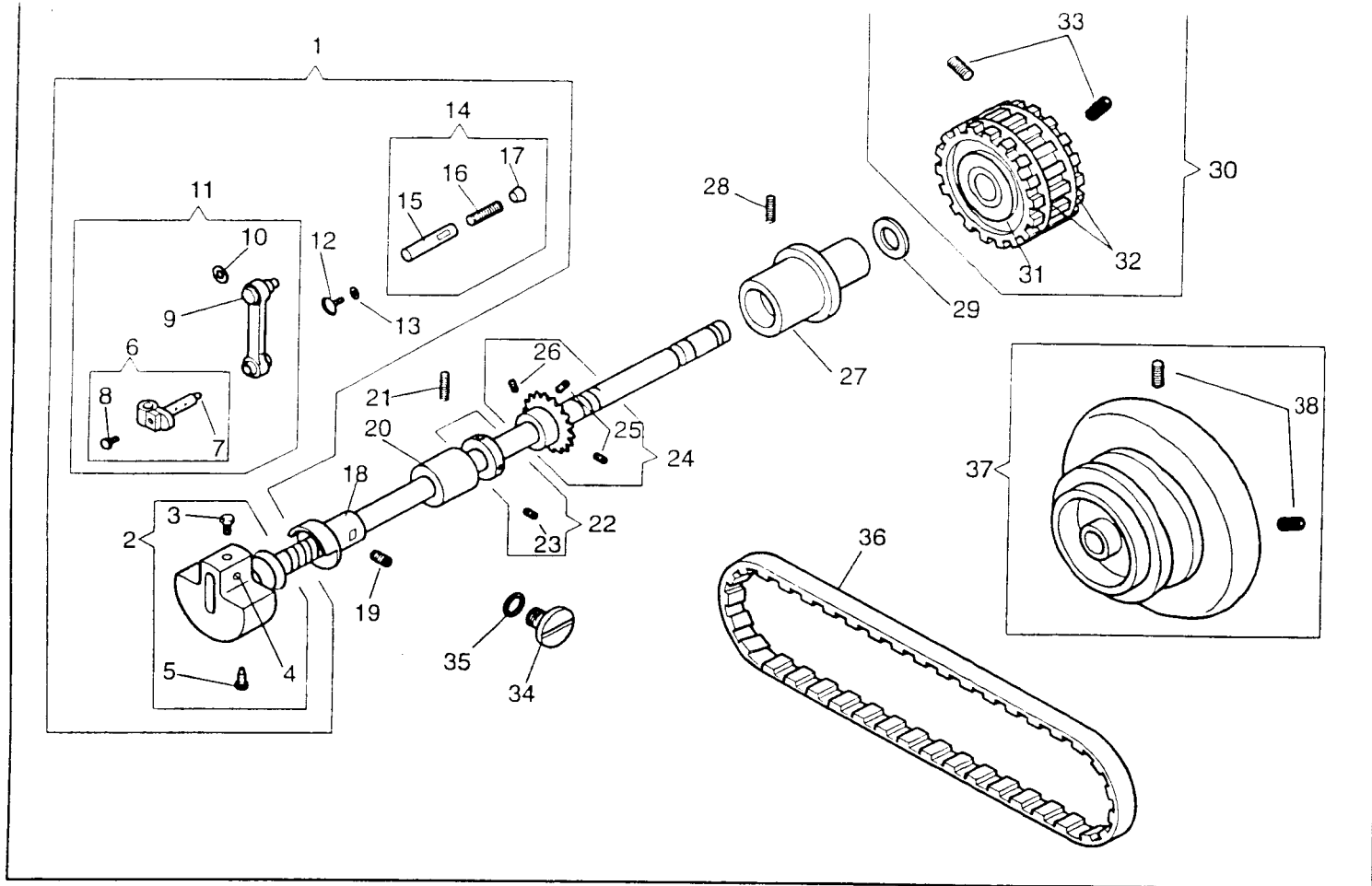
PART NO.	DESCRIPTION	21A	23A	PART NO.	DESCRIPTION	21A
1	32381 Needle Guard	*	*			
2	416014 Needle Guard Holder	*	*			
3	416135 Screw	*	*			
4	416141 Screw	*	*			
5	139046 Slide Block	*	*			
6	443 Set Screw	*	*			
7	545407 Nut	*	*			
8	416145 Feed Bar Hinge Pin (eccentric)	*	*			
9	143448 Feed Bar	*	*			
10	504084 Screw	*	*			
11	545385 Screw	*	*			
12	416018 Feed Regulating Screw	*	*			
13	51061 Set Screw (2)	*	*			
14	416139 Screw	*	*			
15	7071 Washer	*	*			
16	416071 Feed Eccentric (adjustable) Assembly	*	*			
17	143450 Slide Block	*	*			
18	416040 Feed Lifting Eccentric Forked Connection	*	*			
19	143451 Slide Block	*	*			



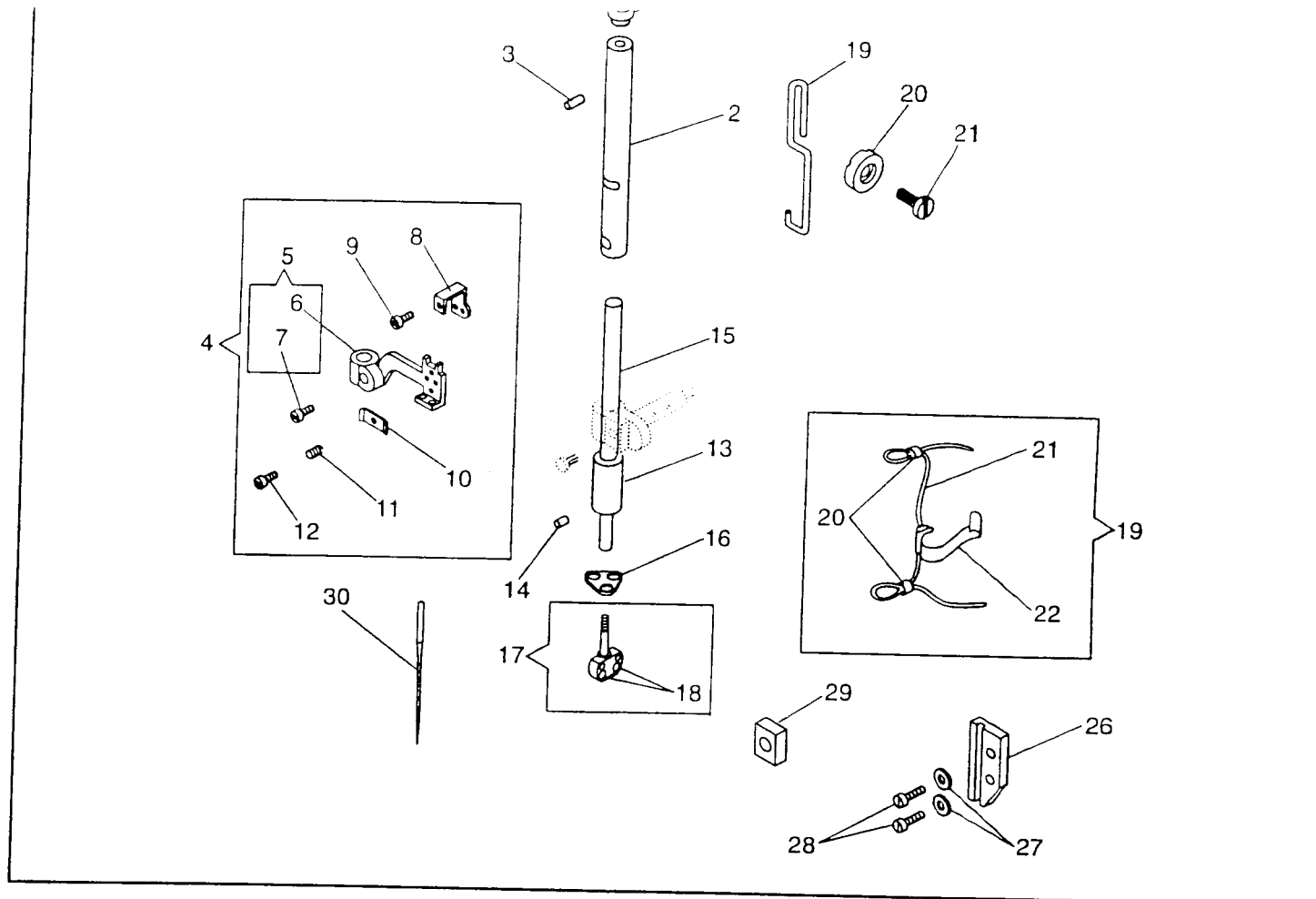
PART NO.		DESCRIPTION	21A	23A	PART NO.		DESCRIPTION	21A	23A
1	143646	Gasket	*	*	32	139065	Hinge Pin (2)	*	*
2	143614	Bed Oil Shield (felt, lower)	*	*	33	139064	Connecting Link	*	*
3	454	Set Screw	*	*	34	139074	Slide Block	*	*
4	143551	Oil Seal (rubber)	*	*	35	416148	Slide Block Stud	*	*
5	143485	Bushing (back)	*	*	36	446	Set Screw	*	*
6	143552	Looper Holder Shaft Bushing (back)	*	*	37	446	Set Screw	*	*
7	443	Set Screw	*	*	38	139534	Hinge Stud	*	*
8	143486	Bushing (front)	*	*	39	416020	Screw	*	*
9	545407	Nut	*	*	40	545390	Screw (2)	*	*
10	128551	Washer	*	*	41	416043	Looper Eccentric Collar and Support	*	*
11	143484	Looper Holder Shaft	*	*	42	545068	Set Screw (2)	*	*
12	416005	Screw	*	*	43	416091	Looper Eccentric and Feed Lifting Eccentric	*	*
13	416026	Looper Driving Arm Connection Crank	*	*	44	1047	Set Screw	*	*
14	416005	Screw	*	*	45	143462	Looper Eccentric Connection Assembly	*	*
15	416027	Looper Holder Shaft Collar Assembly	*	*	46	416044	Set Screw	*	*
16	1047	Set Screw	*	*	47	143644	Bed Rotary Shaft Bushing (left)	*	*
17	416132	Screw (4)	*	*					
18	416127	Looper Driving Arm Connection Assembly	*	*					
19	32355	Looper Driving Arm Assembly	*	*					
20	504048	Set Screw (2)	*	*					
21	416072	Looper Avoiding Eccentric Assembly	*	*					
22	226	Screw (2)	*	*					
23	143459	Slide Block Cover (back)	*	*					
24	143460	Slide Block Cover (front)	*	*					
25	143458	Slide Block	*	*					
26	143455	Forked Connection	*	*					
27	456	Set Screw	*	*					
28	416074	Forked Connection Bracket Assembly	*	*					
29	549030	Screw	*	*					
30	416075	Forked Connection Crank Assembly	*	*					
31	143483	Looper Holder Bushing Eccentric (2)	*	*					



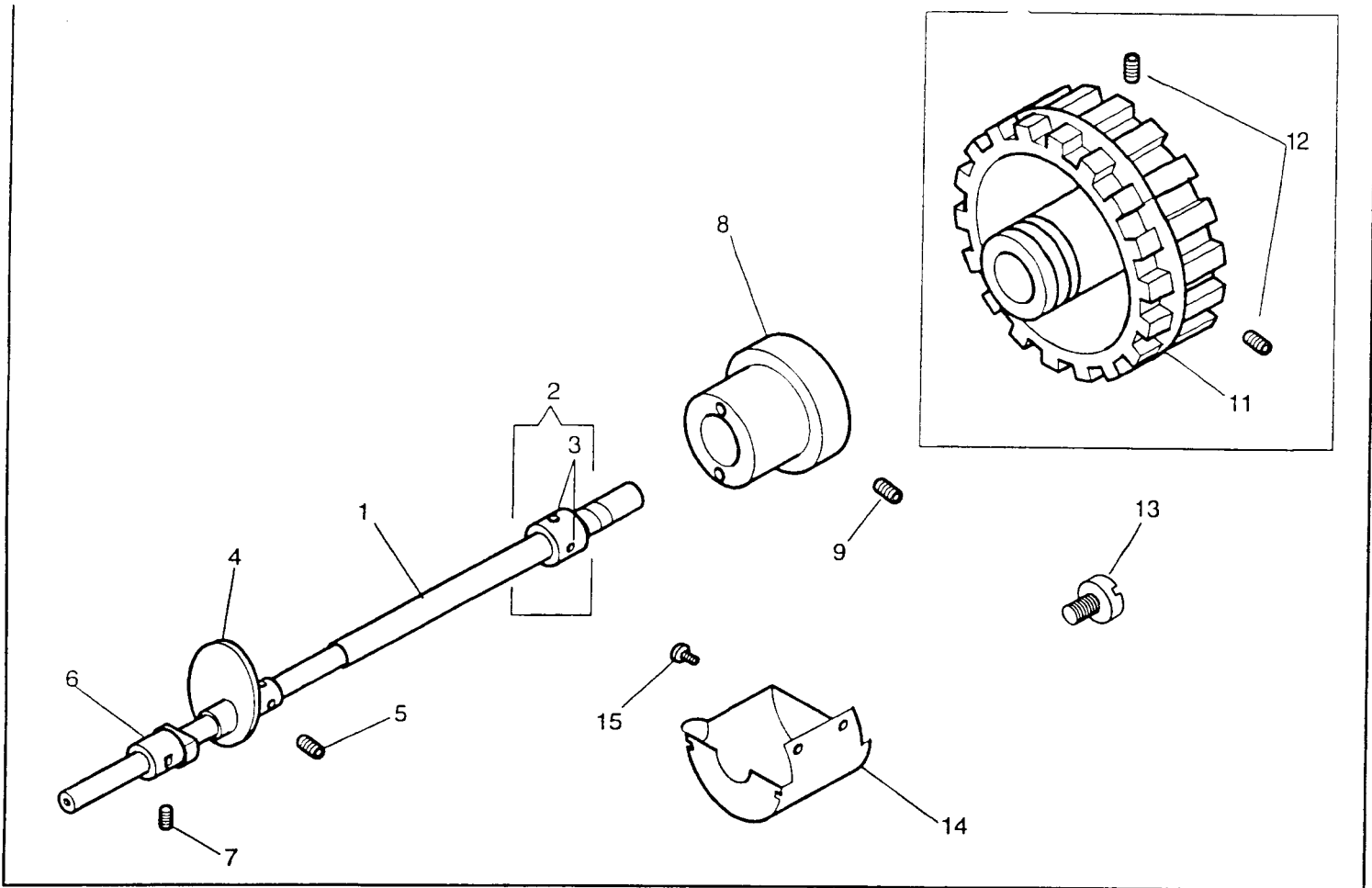
	PART NO.	DESCRIPTION	21A	23A		PART NO.	DESCRIPTION	21A
1	416061	Bevel Gear Assembly	*	*	34	416103	Oil Tube Assembly	*
2	545068	Set Screw (2)	*	*	35	416101	Oil Tube Connection	*
3	147111 -001	Arm Shaft (upright) Bushing (upper)	*	*	36	416078	Oil Connection	*
4	372829	Arm Shaft (upright)	*	*	37	416001	Screw (2)	*
5	146505	Arm Shaft (upright) Bushing (lower)	*	*	38	143370	Oil Lead	*
6	416067	Arm Shaft (upright) Collar Assembly	*	*	39	416020	Screw	*
7	545068	Set Screw (2)	*	*	40	415930	Oil Removing Tube	*
8	372803	Oil Pump Body Assembly	*	*	41	16380	Oil Removing Lint Screen	*
9	372801	Oil Pump Body	*	*	42	376425	Oil Removing Tube • Wire Assembly	*
10	416065	Oil Pipe Clamping Sleeve Adapter (2)	*	*	43	158240	Oil Removing Tube (head end) Screen	*
11	416063	Oil Pump Impeller	*	*	44	416125	Oil Pipe Assembly	*
12	545252	Screw	*	*	45	143503	Oil Pipe	*
13	146600	Oil Pump (centrifugal) Cover	*	*	46	416062	Oil Pipe Clamping Sleeve Nut	*
14	146657	Oil Pump Screen	*	*	47	143065	Oil Pipe Clamping Sleeve	*
15	146658	Oil Pump Screen Frame	*	*				*
16	545193	Screw (3)	*	*				*
17	545183	Screw (3)	*	*				*
18	143071	Position Pin (2)	*	*				*
19	375065	Oil Removing Pump Assembly	*	*				*
20	375066	Oil Removing Pump (body)	*	*				*
21	540555	Oil Removing Pump Bracket	*	*				*
22	545239	Set Screw (2)	*	*				*
23	545239	Set Screw	*	*				*
24	540556	Oil Removing Pump Piston (2)	*	*				*
25	540625	Piston Spring (2)	*	*				*
26	375068	Piston Spring Bracket	*	*				*
27	504010 -451	Screw	*	*				*
28	416100	Oil Pipe Assembly	*	*				*
29	416126	Oil Pipe Assembly	*	*				*
30	143622	Oil Return Tube	*	*				*
31	143124	Oil Pipe Clamping Sleeve (6)	*	*				*
32	416064	Oil Pipe Clamping Sleeve Nut (6)	*	*				*
33	416102	Oil Pipe Assembly	*	*				*



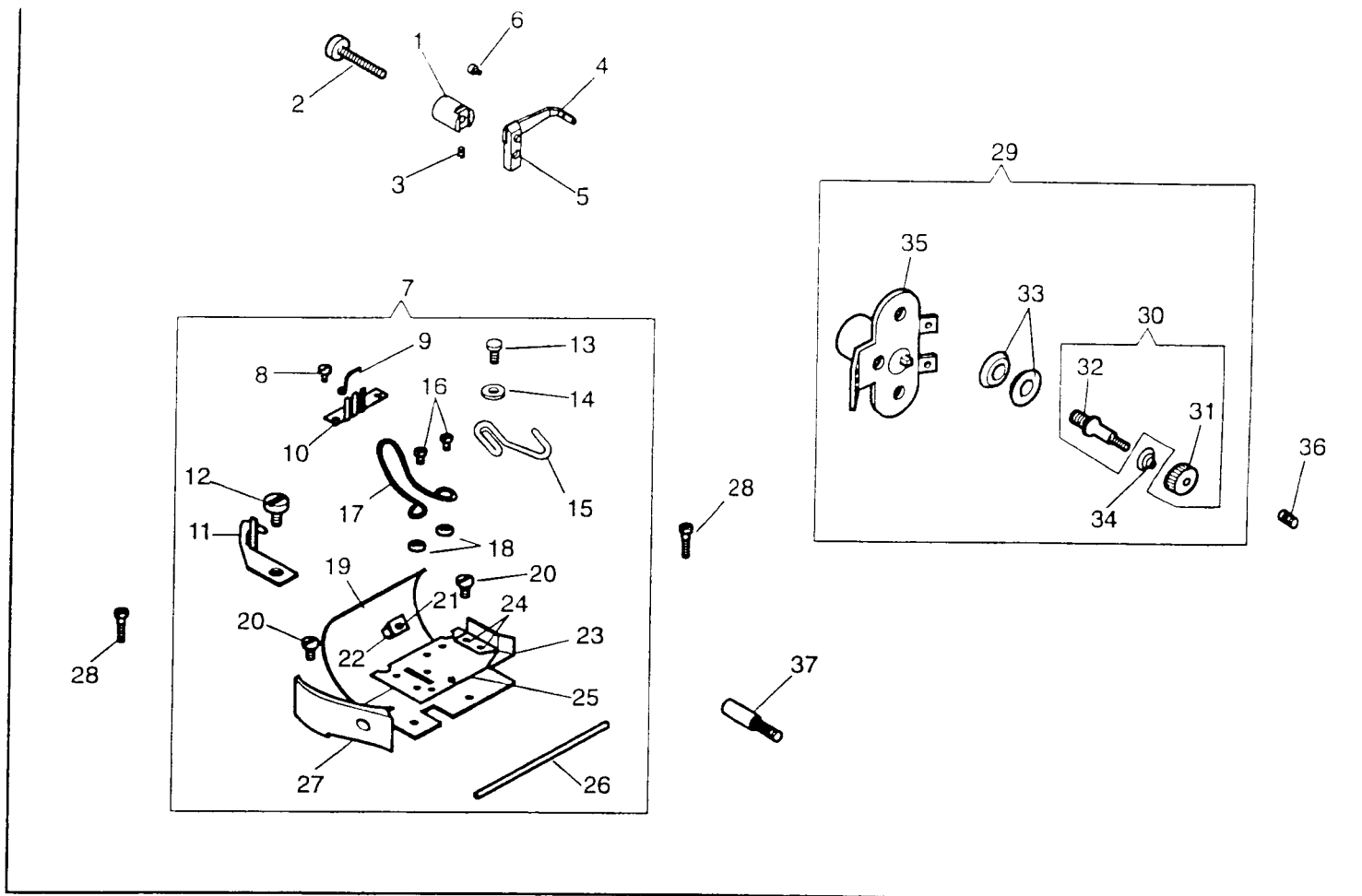
PART NO.	DESCRIPTION	21A	23A	PART NO.	DESCRIPTION	21A	23A
1	416105 Arm Rotary Shaft Assembly	*	*	30	375143 Arm Rotary Shaft Sprocket Wheel Assembly	*	*
	416107 Arm Rotary Shaft Assembly	*	*	31	372796 Ball Bearing (2)	*	*
2	416097 Arm Rotary Shaft and Crank	*	*	32	202253 Sprocket Wheel Spring Flange (2)	*	*
	416099 Arm Rotary Shaft and Crank	*	*	33	416054 Set Screw (2)	*	*
3	416048 Screw	*	*	34	416058 Screw	*	*
4	504095 Set Screw	*	*	35	147070 Washer	*	*
5	504120 Position Screw	*	*	36	264715 Bed Rotary Shaft Belt	*	*
6	416123 Needle Bar Connecting Stud Assembly	*	*	37	416121 -467 Machine Pulley Assembly	*	*
7	143619 Oil Wick	*	*		416039 -467 Machine Pulley Assembly	*	*
8	140061 Screw	*	*	38	51283 Set Screw (2)	*	*
9	139533 Screw Cap	*	*				
10	14475 Needle Bar Connecting Link Screw Cap Disc	*	*				
11	416122 Needle Bar Connecting Link Assembly	*	*				
12	416045 Arm Rotary Shaft Screw Plug (front)	*	*				
13	143236 Washer	*	*				
14	372827 Needle Bar Connecting Link Hinge Stud Assembly	*	*				
15	20810 Needle Bar Connecting Link Hinge Stud	*	*				
16	372828 Oil Wick	*	*				
17	156190 Hinge Stud Plug	*	*				
18	146672 Arm Rotary Shaft Flanged Bushing (front) Assembly	*	*				
19	416044 Set Screw	*	*				
20	152503 Arm Rotary Shaft Bushing (center)	*	*				
21	416124 Set Screw	*	*				
22	416119 Arm Rotary Shaft Thrust Collar Assembly	*	*				
23	504134 Set Screw (2)	*	*				
24	416118 Bevel Gear Assembly	*	*				
25	545068 Set Screw (2)	*	*				
26	549084 Screw	*	*				
27	372797 Arm Rotary Shaft Flanged Bushing (back)	*	*				
28	416124 Set Screw	*	*				
29	543871 -012 Oil Retaining Ring	*	*				



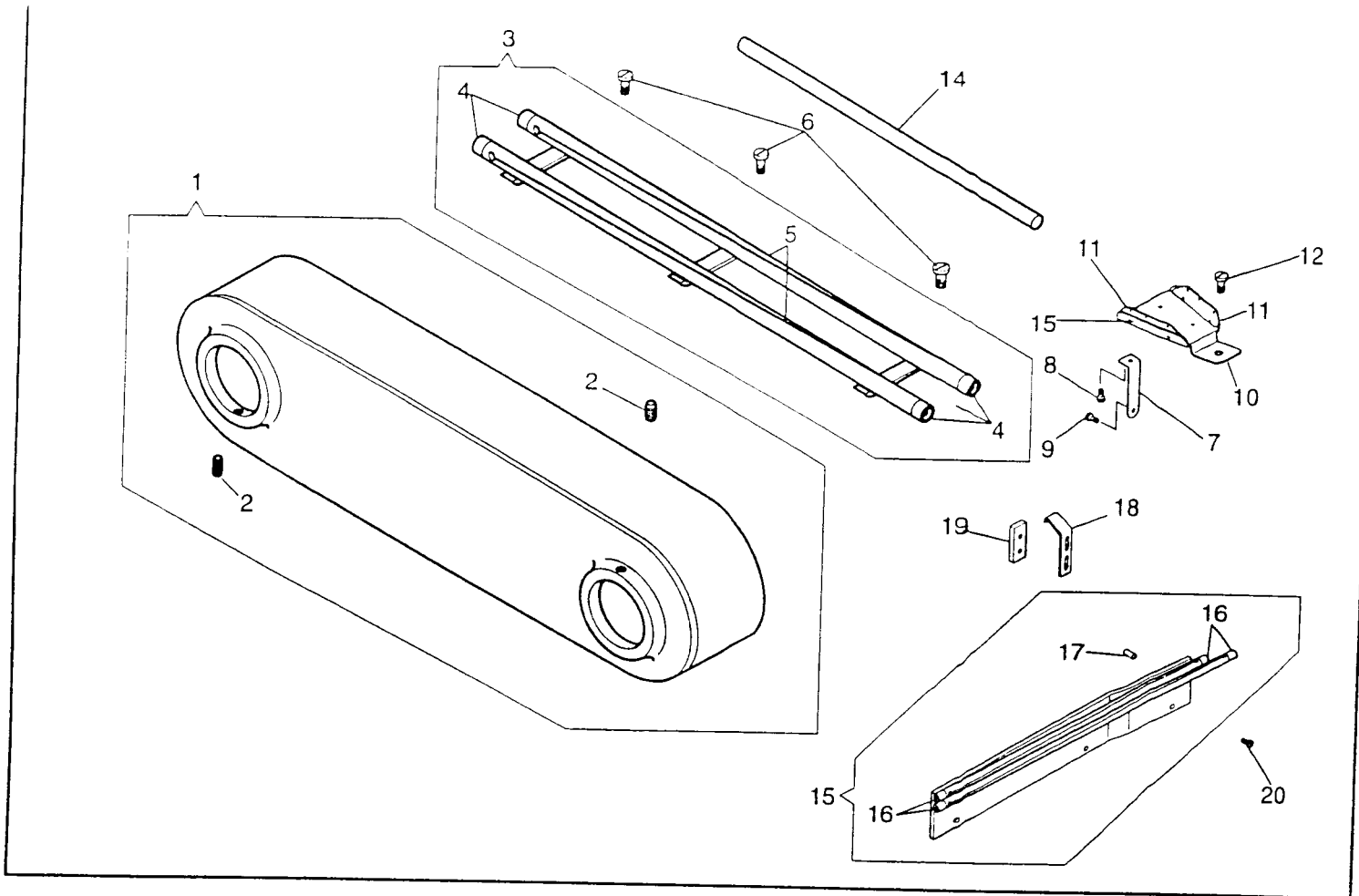
PART NO.		DESCRIPTION	21A	23A	PART NO.	DESCRIPTION	21A
1	140440	Screw	*	*			
2	416112	Needle Bar Bushing (upper)	*	*			
3	1133	Set Screw	*	*			
4	416128	Thread (needle) Take-up Assembly	*	*			
5	416033	Thread (needle) Take-up with 51460	*	*			
6	416031	Thread (needle) Take-up	*	*			
7	51460	Screw	*	*			
8	139196	Thread (needle) Take-up Extension	*	*			
9	337	Screw	*	*			
10	416037	Thread (needle) Take-up Plate	*	*			
11	68164	Spring	*	*			
12	416007	Screw	*	*			
13	372799	Needle Bar Bushing (lower)	*	*			
14	1133	Set Screw	*	*			
15	146473	Needle Bar	*	*			
16	143497	Needle Clamp Thread Guide	*	*			
17	-----	Needle Clamp Assembly	*	*			
18	-----	Set Screw (2)	*	*			
19	146805	Needle Bar Bushing Oil Wick Assembly	*	*			
20	146580	Oil Wick Clip (2)	*	*			
21	146804	Needle Bar Bushing Oil Wick	*	*			
22	146703	Oil Wick Clamp and Retainer	*	*			
23	139198	Slack Thread Controller	*	*			
24	54242	Slack Thread Controller Clamp	*	*			
25	416133	Screw	*	*			
26	146908	Slide Block Guide	*	*			
27	59456	Washer (2)	*	*			
28	416008	Screw (2)	*	*			
29	139111	Slide Block	*	*			
30	Cat.2774 -05	Needle (2)	*				
	Cat.3651 -05	Needle (2)		*			



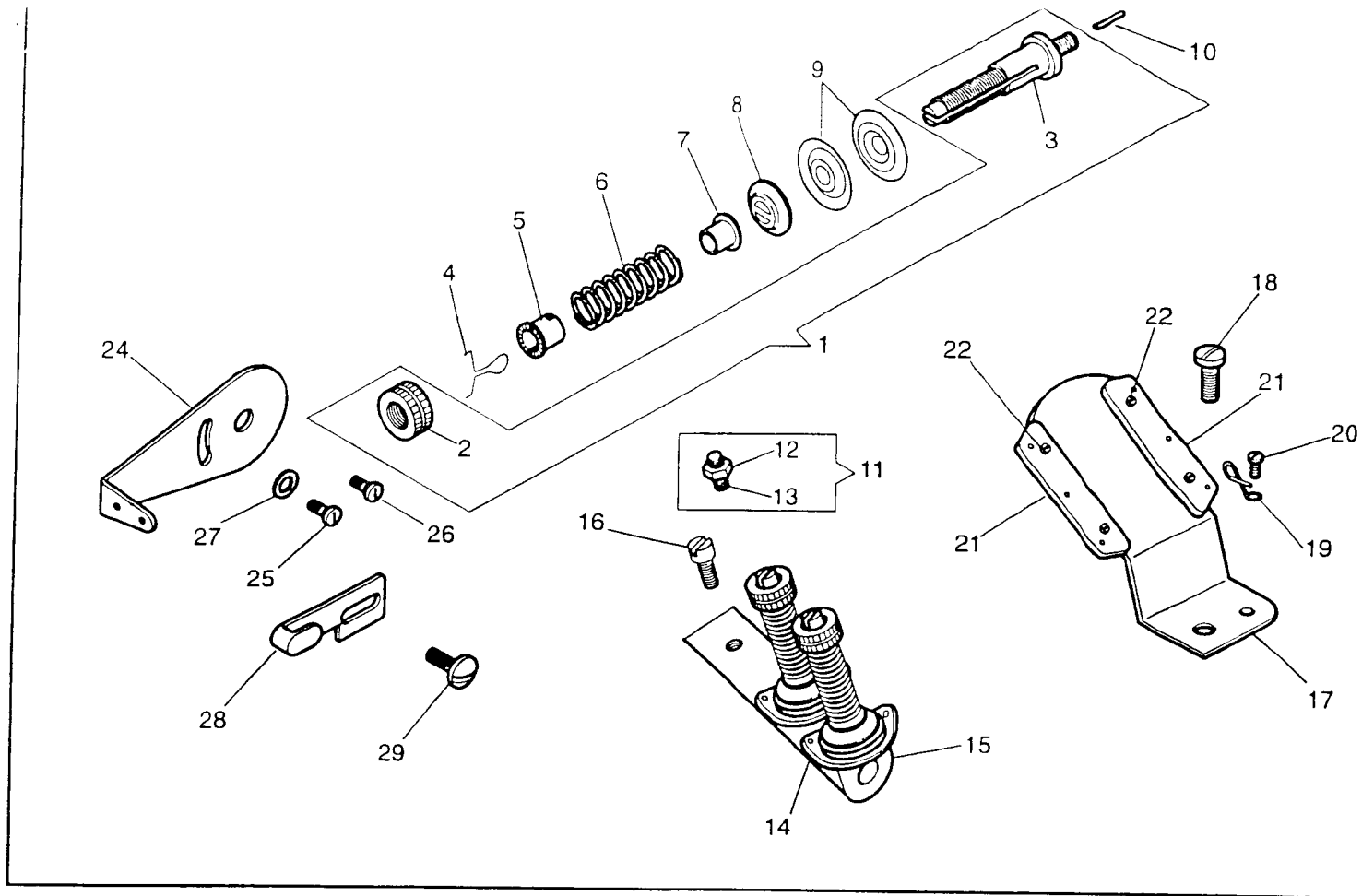
	PART NO.	DESCRIPTION			PART NO.	DESCRIPTION		
			21A	23A			21A	23A
1	143659	Bed Rotary Shaft	*	*				
2	416070	Bed Rotary Shaft Collar Assembly	*	*				
3	504048	Set Screw (2)	*	*				
4	416028	Thread (looper) Take-up Assembly	*	*				
5	544306	Set Screw (2)	*	*				
6	143645	Bed Rotary Shaft Bushing (intermediate)	*	*				
7	416044	Set Screw	*	*				
8	143444	Bed Rotary Shaft Bushing Flanged (right) Assembly	*	*				
9	50422	Set Screw	*	*				
10	143675	Bed Rotary Shaft Sprocket Wheel Assembly	*	*				
11	202253	Sprocket Wheel Spring Flange	*	*				
12	416046	Set Screw (2)	*	*				
13	416016	Screw	*	*				
14	143499	Oil and Lint Guard	*	*				
15	416136	Screw (2)	*	*				



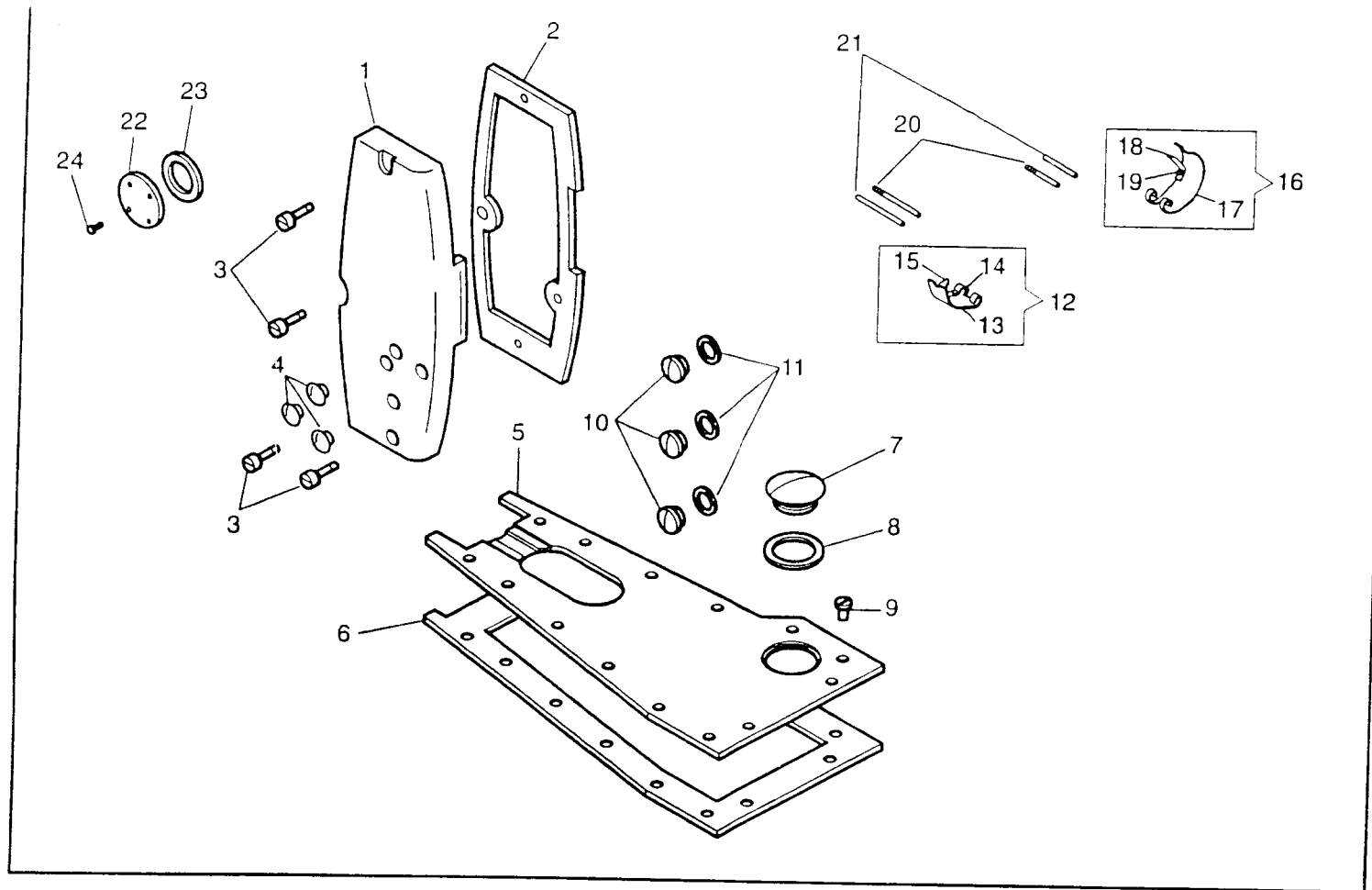
PART NO.	DESCRIPTION	21A	23A	PART NO.	DESCRIPTION	21A	23A
1	139120	*	*	31	416009	*	*
2	416144	*	*	32	416051	*	*
3	456	*	*	33	10106	*	*
4	143487	*	*	34	143514	*	*
5	416086	*	*	35	416087	*	*
6	154795	*	*	36	430	*	*
7	416085 -469	*	*	37	416006	*	*
	Bracket Assembly						
8	240	*	*				
	Screw						
9	139157	*	*				
	Thread Retainer						
10	139317	*	*				
	Thread Separator						
11	139154	*	*				
	Thread Guide						
12	416142	*	*				
	Screw						
13	416140	*	*				
	Screw						
14	7071	*	*				
	Washer						
15	139155	*	*				
	Thread Guide (right)						
16	416137	*	*				
	Screw (2)						
17	139148	*	*				
	Thread (looper) Take-up Stripper						
18	17022	*	*				
	Washer (2)						
19	139145 -469	*	*				
	Cover						
20	416138	*	*				
	Screw (2)						
21	51282	*	*				
	Screw						
22	139147	*	*				
	Lock Spring						
23	139152	*	*				
	Thread Guard						
24	665	*	*				
	Screw (2)						
25	143517	*	*				
	Thread (looper) Take-up Stripper Plate						
26	139146	*	*				
	Hinge Pin						
27	416084	*	*				
	Thread (looper) Take-up Stripper Plate						
	Bracket						
28	416132	*	*				
	Screw (2)						
29	416088	*	*				
	Tension (looper thread) Assembly						
30	416082	*	*				
	Tension (looper thread) Screw Stud						
	Assembly (2)						



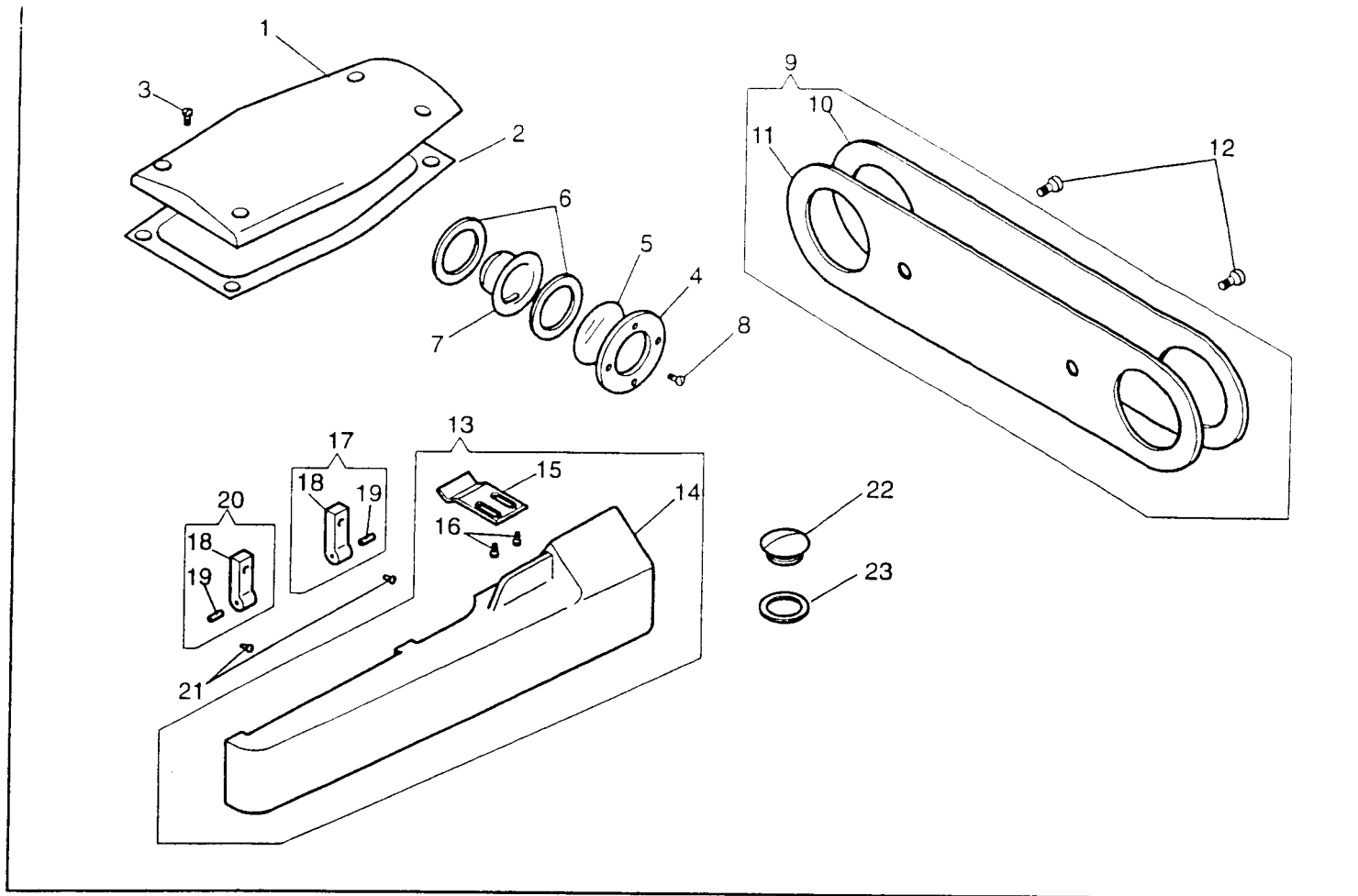
PART NO.	DESCRIPTION	21A	23A	PART NO.	DESCRIPTION	21A	23A
1	416069 -469 Belt Guard Assembly	*	*				
2	544322 Set Screw (2)	*	*				
3	143544 -469 Thread Tube Assembly	*	*				
4	139162 Thread Tube Bushing (4)	*	*				
5	139161 -469 Thread Tube (2)	*	*				
6	416137 Set Screw (3)	*	*				
7	139325 -469 Thread Guide Bracket Support	*	*				
8	416142 Screw	*	*				
9	416136 Screw	*	*				
10	416034 -469 Thread (looper) Guide Bracket	*	*				
11	139158 Thread Guide (2)	*	*				
12	416133 Screw	*	*				
13	50342 Screw (4)	*	*				
14	139281 Thread Tube	*	*				
15	416029 -469 Thread (looper) Tube Assembly	*	*				
16	139167 Thread (looper) Tube Bushing (4)	*	*				
17	20995 Position Pin	*	*				
18	139173 Cover Lock Spring	*	*				
19	416030 Reinforcing Plate	*	*				
20	416136 Screw	*	*				



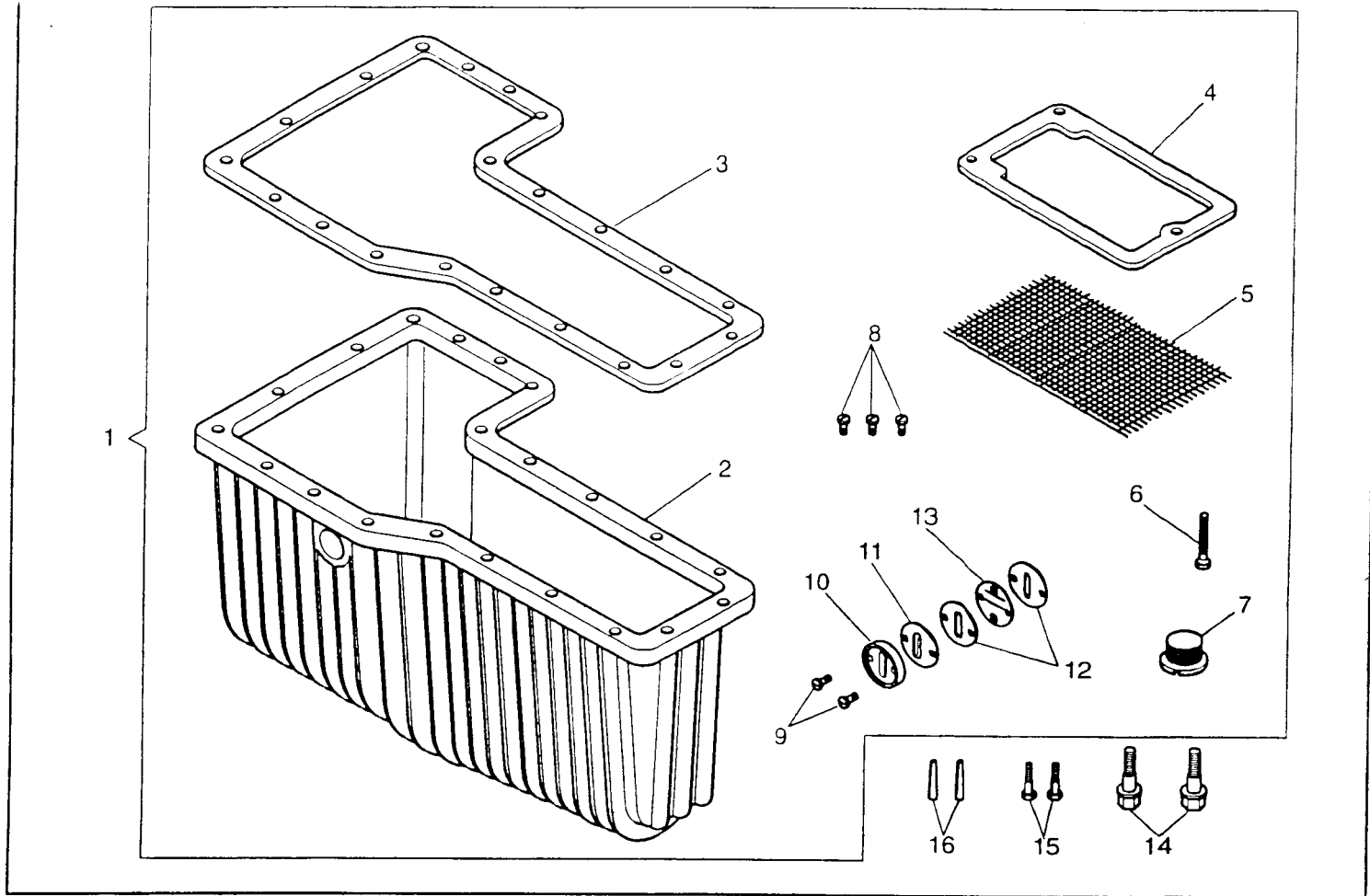
PART NO.	DESCRIPTION	21A	23A	PART NO.	DESCRIPTION	21A	23A
1	416104 Tension (needle thread) Screw Stud Assembly (2)	*	*				
2	416023 Thumb Nut (2)	*	*				
3	416017 Tension (needle thread) Screw Stud (2)	*	*				
4	143658 Locking Spring (2)	*	*				
5	143657 Tension Spring Bushing (large) (2)	*	*				
6	143656 Tension (needle thread) Spring (2)	*	*				
7	131741 Tension (needle thread) Spring (2)	*	*				
8	59538 Tension Spring Bushing (small) (2)	*	*				
9	32572 Tension (needle thread) Releasing Disc (2)	*	*				
10	2102 Tension (needle thread) Disc (4)	*	*				
11	54988 Releasing Pin (2)	*	*				
12	416010 Screw and Nut	*	*				
13	374614 Nut	*	*				
14	416003 Screw	*	*				
15	131696 Thread Guide (2)	*	*				
16	416025 -469 Tension (needle thread) Bracket	*	*				
17	504091 Plug Screw	*	*				
18	416032 -467 Thread (needle) Guide Bracket	*	*				
19	416047 Screw	*	*				
20	139177 Thread (needle) Eyelet	*	*				
21	416138 Screw	*	*				
22	139158 Thread Guide (2)	*	*				
23	229 Screw (4)	*	*				
24	50342 Screw (2)	*	*				
25	146633 Thread (needle) Eyelet	*	*				
26	416133 Screw	*	*				
27	416004 Screw	*	*				
28	7071 Washer	*	*				
29	143570 Thread Guide	*	*				
	140180 Screw	*	*				



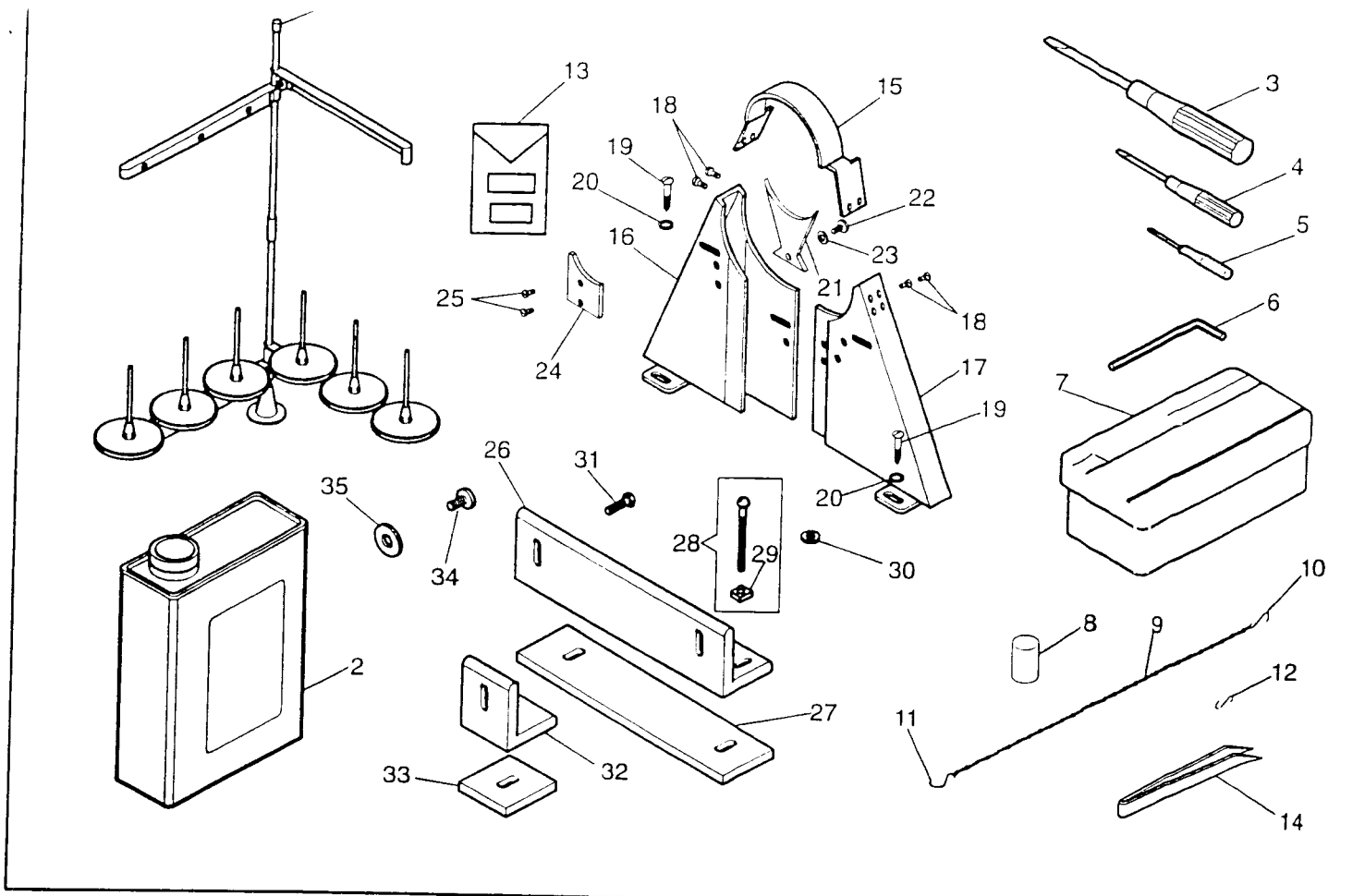
PART NO.	DESCRIPTION			PART NO.	DESCRIPTION		
		21A	23A			21A	23A
1	143447 -467 Face Plate	*	*				
2	143543 Gasket	*	*				
3	140061 Screw (4)	*	*				
4	544782 Face Plate Plug (3)	*	*				
5	416068 -469 Bed Cover Assembly	*	*				
6	143434 Gasket	*	*				
7	416049 Screw	*	*				
8	143435 Gasket	*	*				
9	140295 Screw (14)	*	*				
10	416042 Oil Plug	*	*				
11	139509 Gasket	*	*				
12	143467 Looper Gate (left) Assembly	*	*				
	143469 Looper Gate (left) Assembly	*	*				
13	143466 Looper Gate (left)	*	*				
	143468 Looper Gate (left)	*	*				
14	51282 Screw	*	*				
15	143470 Looper Gate (left) Lock Spring	*	*				
16	143474 Looper Gate (right) Assembly	*	*				
	143476 Looper Gate (right) Assembly	*	*				
17	143473 Looper Gate (right)	*	*				
	143475 Looper Gate (right)	*	*				
18	143477 Looper Gate (right) Lock Spring	*	*				
19	51282 Screw	*	*				
20	416149 Hinge Screw Stud (2)	*	*				
21	143480 Position Pin (2)	*	*				
22	139030 Cover	*	*				
23	143643 "O" Ring	*	*				
24	416136 Screw (4)	*	*				



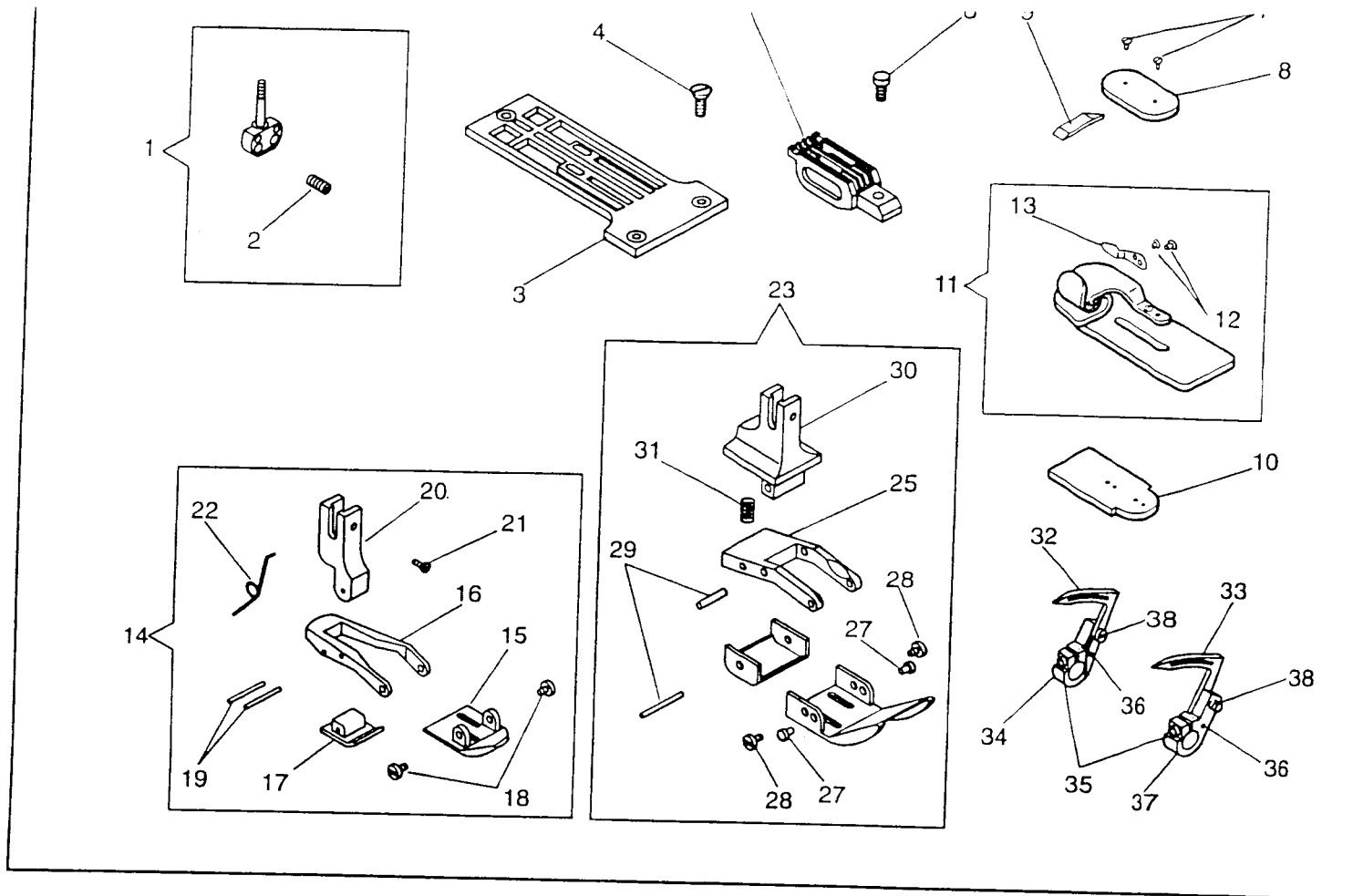
	PART NO.	DESCRIPTION	21A	23A	PART NO.	DESCRIPTION	21A	23A
1	416117 -469	Arm Top Cover	*	*				
		Gasket	*	*				
3	416020	Screw (4)	*	*				
4	145408 -469	Oil Flow Window Cap	*	*				
5	143062	Oil Flow Window	*	*				
6	143061	Gasket (2)	*	*				
7	146591	Oil Flow Body	*	*				
8	416136	Screw (4)	*	*				
9	139036 -469	Belt Guard Cover Assembly	*	*				
10	139035 -469	Belt Guard Cover	*	*				
11	139037	Gasket	*	*				
12	545361	Screw (2)	*	*				
13	143522 -469	Thread (looper) Guide Cover Assembly	*	*				
14	143521 -469	Thread (looper) Guide Cover	*	*				
15	139171	Cover Catch	*	*				
16	229	Screw (2)	*	*				
17	139520 -469	Hinge Plate (right) Assembly	*	*				
18	139172 -469	Hinge Plate (2)	*	*				
19	12162	Hinge Pin (2)	*	*				
20	139519 -469	Hinge Plate (left) Assembly	*	*				
21	140061	Screw (2)	*	*				
22	50608	Screw	*	*				
23	139017	Washer	*	*				



PART NO.	DESCRIPTION	21A	23A	PART NO.	DESCRIPTION	21A	23A
1	416093 -467 Oil Reservoir Assembly	*	*				
2	416092 -467 Oil Reservoir	*	*				
3	143508 Oil Reservoir Gasket	*	*				
4	143542 Oil Reservoir Screen Frame	*	*				
5	143509 Oil Reservoir Screen	*	*				
6	966 Screw (21)	*	*				
7	416053 Oil Reservoir Drain Plug	*	*				
8	545109 Screw (3)	*	*				
9	416008 Screw (2)	*	*				
10	164134 Oil Reservoir Sight Gauge Window Retainer	*	*				
11	164133 Oil Reservoir Sight Gauge Window	*	*				
12	164132 Gasket(2)	*	*				
13	143601 Sight Gauge Background Disc	*	*				
14	416111 Arm Screw (right) (2)	*	*				
15	416019 Arm Screw (left) (2)	*	*				
16	16532 Arm Dowel Pin (2)	*	*				



PART NO.	DESCRIPTION	21A	23A	PART NO.	DESCRIPTION	21A	23A
1	416077 -469 Thread Unwinder Assembly	*	*	32	Machine Mounting Bracket (short)	*	*
2	121741 Oil (Singer "C" Type Oil) (2)	*	*	33	Bracket (short) Pad	*	*
3	11831 Screw Driver (large)	*	*	34	Screw	*	*
4	225498 Screw Driver (middle)	*	*	35	Washer	*	*
5	228476 Screw Driver (small)	*	*				
6	167260 Wrench	*	*				
7	417035 -901 Accessories Box	*	*				
8	139190 Machine Cushion (2)	*	*				
9	6439 Foot Lever Chain (107 mm)	*	*				
10	56864 Foot Lever Chain Hook	*	*				
11	56865 Foot Lever Chain Hook	*	*				
12	4879 Chain Connecting Link	*	*				
13	Cat2774 -05 Needle (6)	*	*				
	Cat3651 -05 Needle (6)	*	*				
14	120341 Tweezers	*	*				
15	372833 -467 Belt Guard (upper)	*	*				
	372834 -467 Belt Guard (upper)	*	*				
16	372832 -467 Belt Guard (right)	*	*				
17	372831 -467 Belt Guard (left)	*	*				
18	544211 -003 Screw (4)	*	*				
19	375124 Set Screw (4)	*	*				
20	375123 Washer (4)	*	*				
21	372835 -467 Belt Guard Plate	*	*				
22	544212 -002 Screw	*	*				
23	375122 Washer	*	*				
24	372209 -467 Belt Guard Plate	*	*				
25	544212 -002 Screw (2)	*	*				
26	22794 -469 Machine Mounting Bracket (long)	*	*				
27	22796 Bracket (long) Pad	*	*				
28	51069 Bolt (3)	*	*				
29	51581 Nut (3)	*	*				
30	2807 Washer (3)	*	*				
31	416059 Bolt (2)	*	*				



PART NO.	DESCRIPTION	21A	23A	PART NO.	DESCRIPTION	21A	23A
1	Needle Clamp	*	*	30	Presser Foot Shank	*	*
2	1498 -830 Screw (2)	*	*	31	Spring	*	*
3	Throat Plate	*	*	32	Looper (back)	*	*
4	691 Screw (3)	*	*	33	Looper (front)	*	*
5	Feed Dog	*	*	34	416079 Looper Holder (back)	*	*
6	1255 Screw	*	*	35	416055 Screw (2)	*	*
7	1443 Screw (2)	*	*	36	26276 Position Pin (2)	*	*
8	121449 Clamping Plate	*	*	37	416080 Looper Holder (front)	*	*
9	22957 Lap Seam Feller Slide Filler Plate	*	*	38	140393 Clamping Screw (2)	*	*
10	416036 Lap Seam Feller Slide	*	*				
11	Lap Seam Feller Assembly	*	*				
12	662 Screw (2)	*	*				
13	230066 Lap Seam Feller Spring	*	*				
14	Presser Foot Assembly	*	*				
15	21487 -008 Presser Foot Plate (front), for 1/8 inch.	*	*				
	-010 Presser Foot Plate (front), for 5/32 inch.	*	*				
	-012 Presser Foot Plate (front), for 3/16 inch.	*	*				
	-016 Presser Foot Plate (front), for 1/4 inch.	*	*				
16	21488 Presser Foot Plate Connection	*	*				
17	21491 Presser Foot Plate (back)	*	*				
18	141219 Screw (2)	*	*				
19	26276 Hinge Pin (2)	*	*				
20	21490 Presser Foot Shank	*	*				
21	51282 Screw	*	*				
22	21489 Spring	*	*				
23	Presser Foot Plate Assembly	*	*				
24	139383 -012 Presser Foot Plate (front), for 3/16 inch.	*	*				
	-016 Presser Foot Plate (front), for 1/4 inch.	*	*				
25	131707 Presser Foot Plate Connection	*	*				
26	131706 Presser Foot Plate (back)	*	*				
27	128390 Hinge Stud (2)	*	*				
28	665 Screw (2)	*	*				
29	18055 Hinge Pin (2)	*	*				

	inch mm	Needle Clamp	Throat Plate	Feed Dog	Presser Foot	Lap Seam Feller	Looper (back)	Looper (front)
21A	1/ 8 (3.2)	372805 -008	139538 -008	139537 -008	21492 -008	121586 -503	32819	32822
	5/32 (4.0)	372805 -010	139538 -010	139537 -010	21492 -010	121586 -504	32820	32823
	3/16 (4.8)	372805 -012	22572 -012	22571 -012	21492 -012	121586 -506	32820	32823
	1/ 4 (6.4)	372805 -016	139541 -016	139540 -016	21492 -016	121586 -509	32821	32824
23A	3/16 (4.8)	372805 -012	139385 -012	139414 -012	139420 -012	121629 -502	32820	32823
	1/ 4 (6.4)	372805 -016	139385 -016	139414 -016	139420 -016	121629 -505	32821	32824