

MITSUBISHI

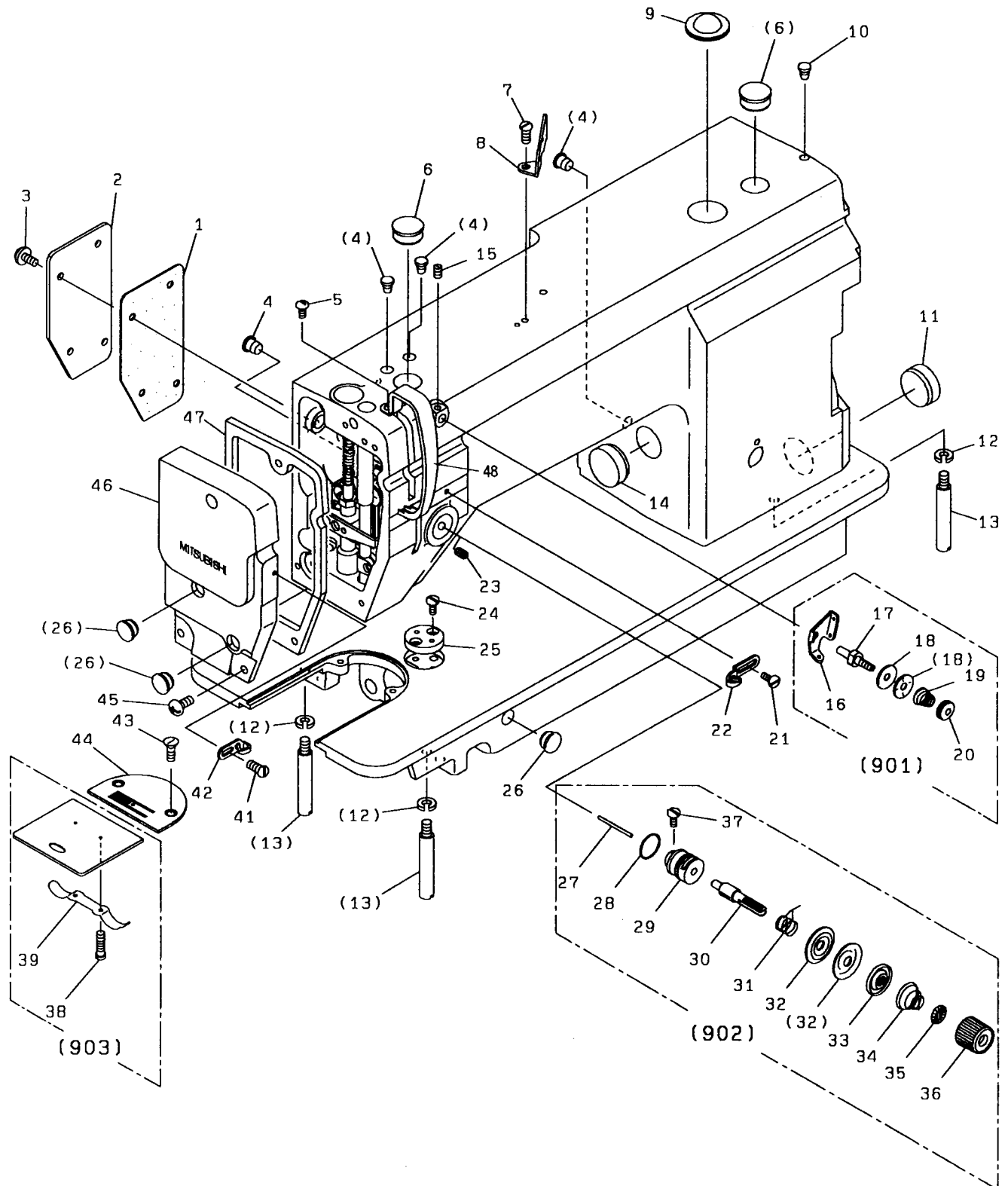
三菱工業用ミシン部品カタログ

Industrial Sewing Machine Parts Catalog

Model LG2-3370

| 目次 | INDEX | Page |
|-------------|---------------------------------------------------------------|------|
| ① 本体関係 | Arm bed & it's accessories | 2 |
| ② 縫い機構 (I) | Sewing mechanism (I) | 4 |
| ③ 縫い機構 (II) | | |
| および下送り機構 | Sewing mechanism (II) & feed rock lower shaft mechanism | 6 |
| ④ 送り調節機構 | Stitch length mechanism | 8 |
| ⑤ 上送り調節機構 | Top feed rock shaft mechanism | 10 |
| ⑥ 押え機構 | Presser foot mechanism | 12 |
| ⑦ 上送り機構 | Top feed mechanism | 14 |
| ⑧ 糸切り機構 | Knife actuating mechanism | 16 |
| ⑨ タッチバック機構 | | |
| および検出器機構 | Touch back mechanism & detector mechanism | 18 |
| ⑩ 給油機構 | Oil lubrication mechanism | 20 |
| ⑪ 付属品 (I) | Accessories (I) | 22 |
| ⑫ 付属品 (II) | Accessories (II) | 24 |
| ⑬ ゲージ | Gauges | 26 |

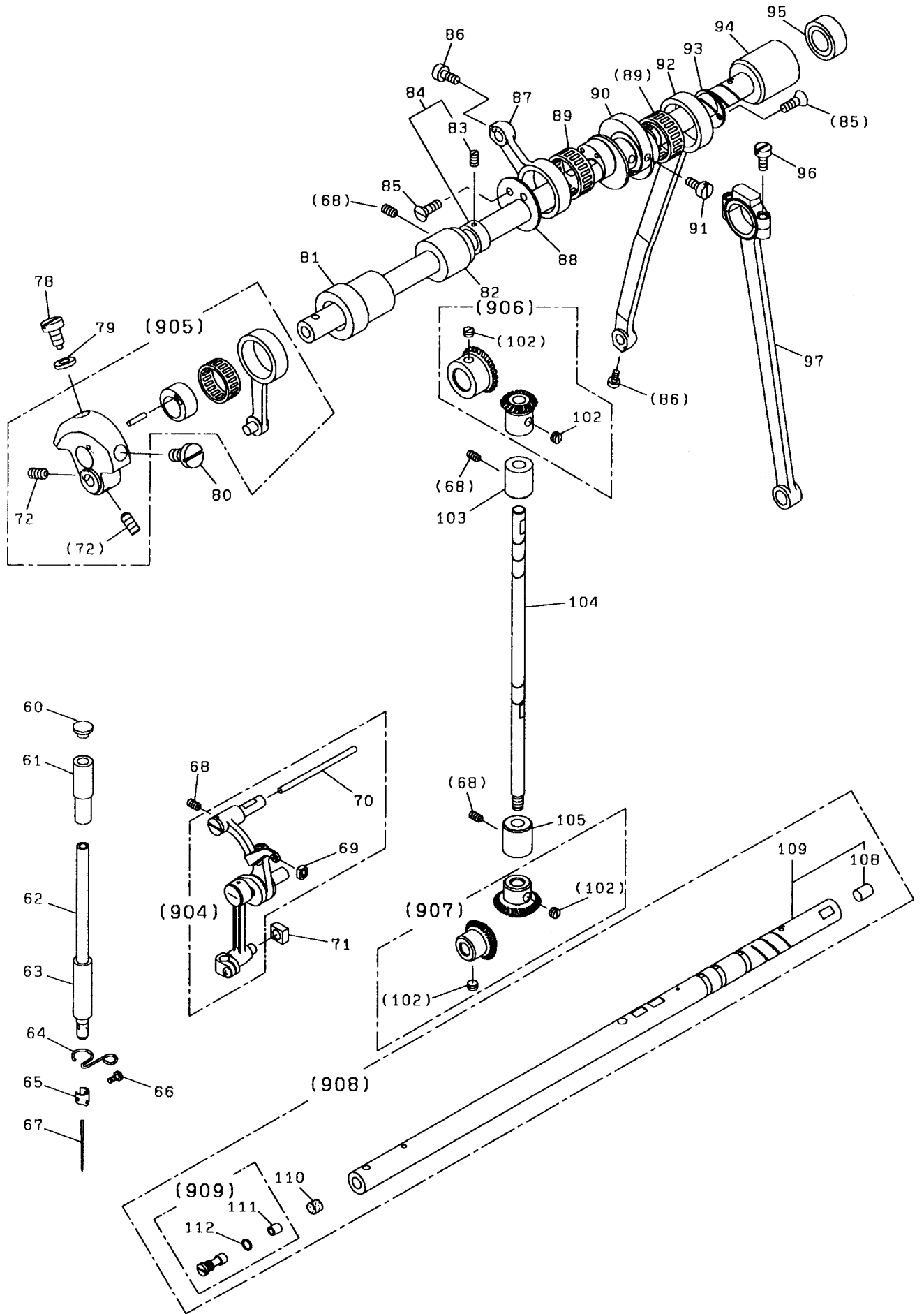
1 本体関係
 ARM BED & IT'S ACCESSORIES



1 本体関係 ARM BED & IT'S ACCESSORIES

| Fig. No. | 部品コード Parts. No. | 部 品 名 | Description | 使用個数 Amt. Req. | |
|----------|---------------------|-----------|-----------------------|-------------------------------------|---|
| * | 01 MH 00A0 691 | ガスケット | Arm side cover gasket | 1 | |
| * | 02 MH 00A0 880 | ヨコプラ | Arm side cover | 1 | |
| | 03 M9 1109 004 | PW付ブラマイネジ | 11/64(40)X8 | Screw 11/64(40)X8 | 4 |
| | 04 M9 0883 080 | ゴム栓 | φ8.8 | Rubber plug φ8.8 | 5 |
| | 05 M9 1110 004 | ブラマイネジ | 11/64(40)X8 | Screw 11/64(40)X8 | 1 |
| | 06 M9 1910 080 | ゴム栓 | φ19 | Rubber plug φ19 | 2 |
| | 07 M9 1116 002 | 平ネジ | 11/64(40)X8 | Screw 11/64(40)X8 | 1 |
| | 08 MF 36A1 180 | アーム糸案内 | (上) | Thread guide(Arm top) | 1 |
| | 09 MF 20A0 135 | 油窓 | | Oil check window | 1 |
| | 10 M9 0573 080 | ゴム栓 | φ5.7 | Rubber plug φ5.7 | 1 |
| | 11 M9 2701 080 | ゴム栓 | φ27 | Rubber plug φ27 | 1 |
| | 12 M9 0106 053 | バネ座金 | 6 | Spring washer 6 | 3 |
| | 13 MF 10A0 151 | 脚 | | Leg | 3 |
| | 14 M9 2004 080 | ゴム栓 | φ20 | Rubber plug φ20 | 1 |
| | 15 M9 1108 001 | 止メネジ | 11/64(40)X5.5 | Screw 11/64(40)X5.5 | 1 |
| | 16 MF 00A0 181 | 糸案内 | | Thread guide | 1 |
| | 17 MF 90A0 553 | 糸案内調子棒 | | Pre-tension stud | 1 |
| | 18 MF 10A1 553 | 調子皿 | | Thread tension disc | 2 |
| | 19 MF 36A0 245 | 円錐バネ | | Pre-tension spring | 1 |
| | 20 M9 1101 046 | ツマミナット | 11/64(40) | Pre-tension adjusting nut 11/64(40) | 1 |
| | 21 M9 0943 003 | 丸平ネジ | 9/64(40)X6 | Screw 9/64(40)X6 | 1 |
| | 22 MF 80A0 181 | アーム糸案内 | (右) | Thread guide (Right) | 1 |
| | 23 M9 1508 001 | 止メネジ | 15/64(28)X6 | Set screw 15/64(28)X6 | 1 |
| | 24 M9 1107 002 | 平ネジ | 11/64(40)X5.5 | Screw 11/64(40)X5.5 | 2 |
| * | 25 MH 00A0 601 | 定規取付板 | | Cloth guide plate | 1 |
| | 26 M9 1182 080 | ゴム栓 | φ11.8 | Rubber plug φ11.8 | 3 |
| * | 27 M9 0234 060 | ピン | | Thread releasing pin | 1 |
| | 28 M9 1501 085 | Oリング | S15 | O-ring S15 | 1 |
| | 29 MF 10A0 709 | ブッシュ | | Thread tension regulator bushing | 1 |
| | 30 MF 10A0 553 | 調子棒 | | Thread tension stud | 1 |
| | 31 MF 10A0 187 | 糸取りバネ | | Thread take-up spring | 1 |
| | 32 MF 10A0 555 | 調子皿 | | Thread tension disc | 2 |
| | 33 MM 11A0 556 | 調子皿押エ | | Thread tension reledsing disc | 1 |
| | 34 MF 11D0 245 | 円錐バネ | | Thread tension spring | 1 |
| | 35 MT 60A0 802 | 回り止メ | | Thumb nut revolution stopper | 1 |
| | 36 M9 1605 045 | 調節ナット | 1/4(40) | Thumb nut 1/4(40) | 1 |
| | 37 M9 0901 002 | 平ネジ | 9/64(40)X4 | Screw 9/64(40)X4 | 1 |
| | 38 M9 0604 002 | 平ネジ | 3/32(56)X2.2 | Screw 3/32(56)X2.2 | 2 |
| | 39 MF 10A0 471 | 板バネ | | Plate spring for slide plate | 1 |
| | 41 M9 0909 003 | 丸平ネジ | 9/64(40)X6 | Screw 9/64(40)X6 | 1 |
| | 42 MF 10A0 181 | 糸案内 | (左) | Thread guide(Left) | 1 |
| | 43 M9 1106 011 | 丸皿ネジ | 11/64(40)X7 | Screw 11/64(40)X7 | 2 |
| * | 44 MH 00B1 101 | 針板 | | Throate plate | 1 |
| | 45 M9 1111 004 | ブラマイネジ | 11/64(40)X10 | Screw 11/64(40)X10 | 3 |
| * | 46 MH 00A0 830 | 面板 | | Face plate | 1 |
| * | 47 MH 00A1 691 | ガスケット | | Face plate gasket | 1 |
| | 48 MF 01A0 584 | 天ビンカバー | | Thread take-up cover | 1 |
| | 901 MF 00E0 550 | プリテンション | (組) | Pre-tension assy. | 1 |
| * | 902 MH 00E0 210 | 上糸調節器 | (組) | Thread tension regulator assy. | 1 |
| | 903 MF 10E0 470 | 滑り板 | (組) | Slide plate assy. | 1 |

2 縫い機構 (I)
SEWING MECHANISM (I)

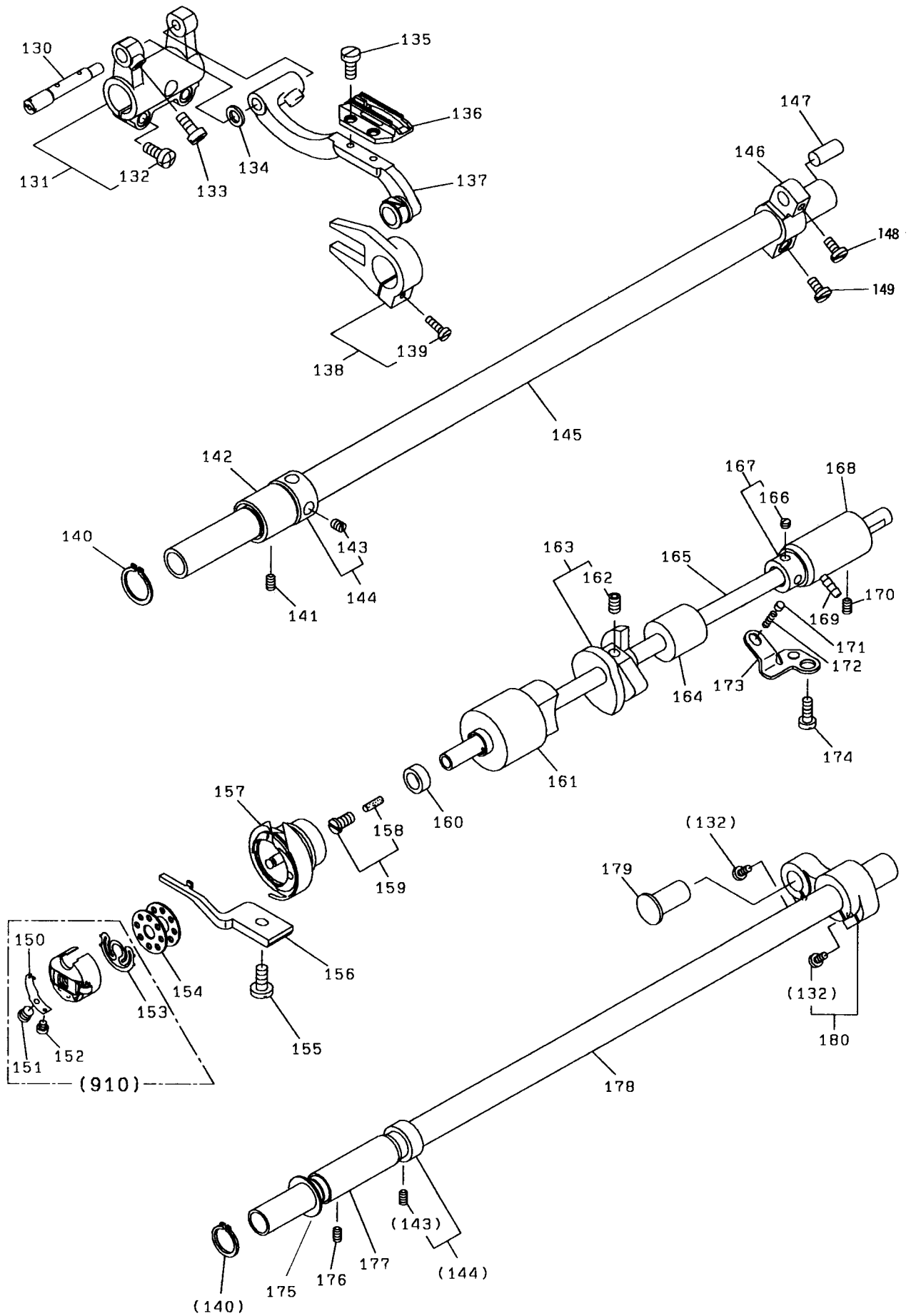


② 縫い機構 (I) SEWING MECHANISM (I)

| Fig. No. | 部品コード Parts. No. | 部 品 名 | Description | 使用個数 Amt. Req. |
|----------|---------------------|-------------|---------------------------------------|-------------------|
| | 60 M9 0883 080 | ゴム栓 | φ8.8 Rubber plug φ8.8 | 1 |
| | 61 MF 70A0 663 | 針棒メタル | (上) Needle bar bushing(Upper) | 1 |
| * | 62 MH 00A0 660 | 針棒 | Needle bar | 1 |
| * | 63 MH 00A0 664 | 針棒メタル | (下) Needle bar bushing(Lower) | 1 |
| * | 64 MH 00A0 180 | 糸案内(針棒メタル下) | Thread guide | 1 |
| * | 65 MH 00A1 180 | 糸案内(針棒) | Thread guide | 1 |
| | 66 M9 0815 002 | 平ネジ | 1/8(44)X4.5 Screw 1/8(44)X4.5 | 1 |
| | 67 MF 70A0 128 | 針 | DBX1-2#14 Needle DBX1-2#14 | 1 |
| | 68 M9 1513 001 | 止メネジ | 15/64(28)X9.5 Set screw 15/64(28)X9.5 | 4 |
| | 69 MF 01A0 417 | 油防キャップ | Oil shield cap | 1 |
| * | 70 MF 01A0 740 | フェルト | Felt | 1 |
| * | 71 MH 00A0 325 | 角駒 | Slide block | 1 |
| | 72 M9 1606 001 | 止メネジ | 1/4(40)X6 Set screw 1/4(40)X6 | 2 |
| | 78 M9 1802 006 | 棒先平ネジ | 9/32(28)X14 Screw 9/32(28)X14 | 1 |
| | 79 M9 0700 085 | Oリング | 1AP7 O-ring 1AP7 | 1 |
| | 80 M9 1801 002 | 平ネジ | 9/32(28)X13 Screw 9/32(28)X13 | 1 |
| * | 81 MH 00A0 232 | 上軸メタル | (左) Upper shaft bushing(Left) | 1 |
| | 82 MF 05A0 234 | 上軸メタル | (中) Upper shaft bushing(Middle) | 1 |
| | 83 M9 1602 001 | 止メネジ | 1/4(40)X4 Set screw 1/4(40)X4 | 2 |
| | 84 MF 80A0 352 | カラーネジ付 | Thrust collar with screw | 1 |
| | 85 M9 0902 011 | 丸皿ネジ | 3/16(28)X13 Screw 3/16(28)X13 | 6 |
| | 86 M9 1521 002 | 平ネジ | 11/64(40)X7 Screw 11/64(40)X7 | 2 |
| * | 87 MH 00A0 384 | 連接桿 | Crank rod | 1 |
| * | 88 M9 4007 052 | 座金 | Thrust washer | 1 |
| | 89 MN 35A0 628 | ペアリング | Needle bearing | 2 |
| * | 90 MH 00A0 492 | 偏心輪 | Feed drive eccentric cam | 1 |
| | 91 M9 1502 002 | 平ネジ | 15/64(28)X12 Screw 15/64(28)X12 | 2 |
| * | 92 MH 00A1 384 | 連接桿 | Crank rod | 1 |
| | 93 M9 3008 050 | 座金 | Thrust washer | 1 |
| | 94 MF 01A0 233 | 上軸メタル | (右) Upper shaft bushing(Right) | 1 |
| | 95 M9 1472 086 | オイルシール | Oil seal | 1 |
| | 96 M9 1203 002 | 平ネジ | 3/16(28)X15 Screw 3/16(28)X15 | 2 |
| * | 97 MH 00A2 384 | 連接桿 | Crank rod | 1 |
| | 102 M9 1606 001 | 止メネジ | 1/4(40)X7 Set screw 1/4(40)X7 | 8 |
| | 103 MG 75A0 521 | 堅軸メタル | (上) Vertical shaft bushing(Upper) | 1 |
| | 104 MF 10A0 520 | 堅軸 | Vertical shaft | 1 |
| | 105 MF 70A0 522 | 堅軸メタル | (下) Vertical shaft bushing(Lower) | 1 |
| | 108 M9 0740 080 | ゴム栓 | Rubber plug | 1 |
| * | 109 MH 00A0 230 | 上軸 | Upper shaft | 1 |
| | 110 MF 01A1 740 | フェルト | Felt | 1 |
| | 111 MG 75A0 417 | ゴム輪 | Rubber bushing | 1 |
| | 112 M9 0402 085 | Oリング | S4 O-ring S4 | 1 |
| * | 904 MH 00E0 580 | 天秤・針棒クランプ | (組) Thread take-up lever assy. | 1 |
| * | 905 MH 00E0 383 | クランク | (組) Crank assy. | 1 |
| | 906 MF 01E0 331 | カサ歯車上 | (組) Bevel gear upper assy. | 1 |
| | 907 MF 01E0 332 | カサ歯車下 | (組) Bevel gear lower assy. | 1 |
| * | 908 MH 00E0 230 | 上軸組立 | Upper shaft assy. | 1 |
| | 909 M9 7006 060 | 給油調節ピン | (組) Oil amount adjusting pin assy. | 1 |

*印は、LG2-3370 専用部品を示します。

③ 縫い機構 (II) および下送り機構
 SEWING MECHANISM (II) & FEED ROCK LOWER SHAFT MECHANISM

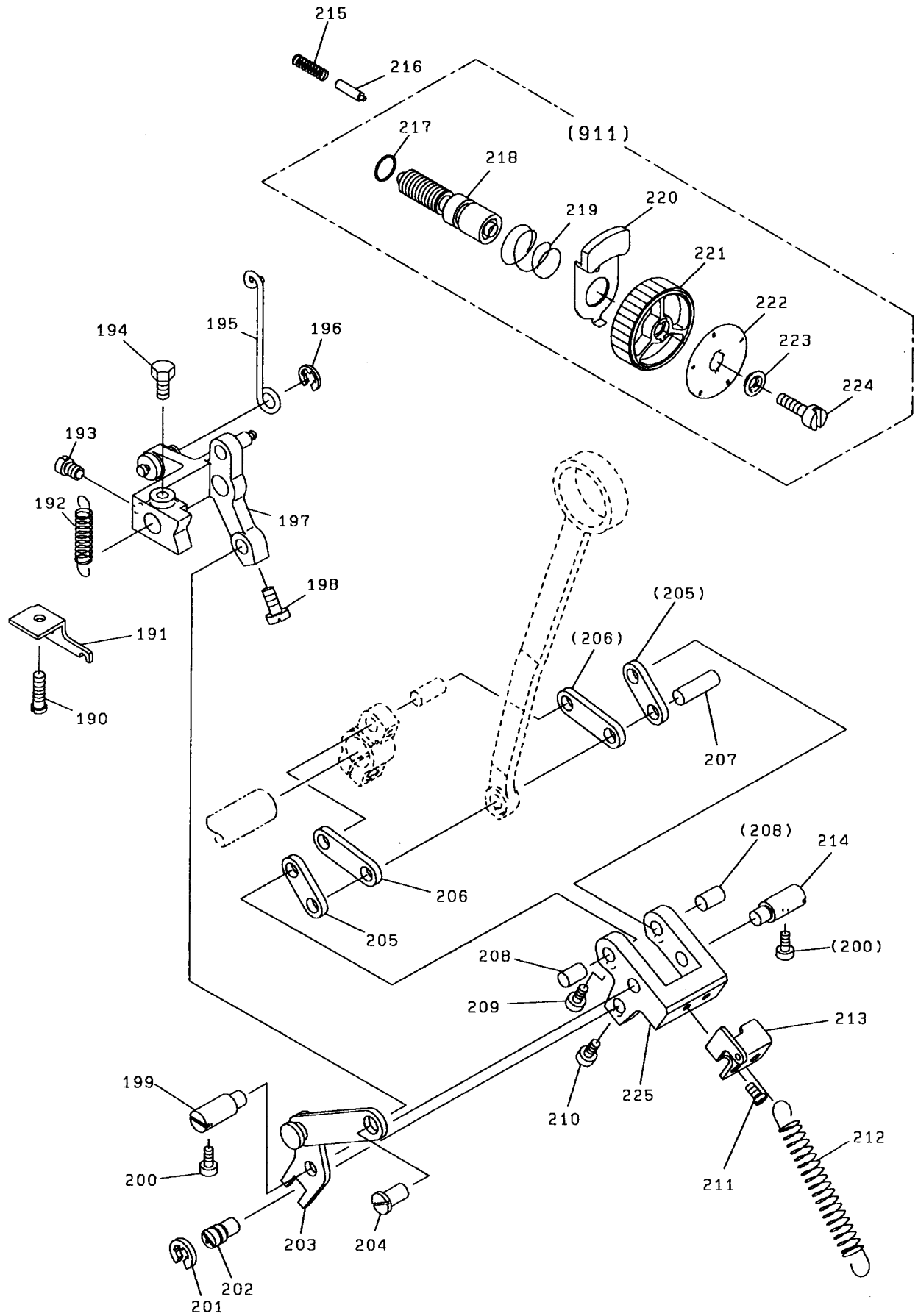


③ 縫い機構 (II) および下送り機構 SEWING MECHANISM (II) & FEED ROCK LOWER SHAFT MECHANISM

| Fig. No. | 部品コード Parts. No. | 部 品 名 | Description | 使用個数 Amt. Req. |
|----------|---------------------|--------------|----------------------------------------------------|-------------------|
| 130 | MF 90A0 283 | 偏心輪 | Shaft for feed bar(Eccentric) | 1 |
| 131 | MF 90A0 278 | 水平送り腕左ネジ付 | Feed rock shaft crank(Left) | 1 |
| 132 | M9 1204 002 | 丸平ネジ | 3/16(28)X12 Screw 3/16(28)X12 | 4 |
| 133 | M9 1106 004 | ブラマイネジ | 11/64(40)X8 Screw 11/64(40)X8 | 1 |
| 134 | M9 0619 050 | 座金 | Washer | 1 |
| 135 | M9 0806 002 | 平ネジ | 1/8(44)X6 Screw 1/8(44)X6 | 2 |
| * 136 | MH 00B1 104 | 送り | Drop feed dog | 1 |
| 137 | MF 00E0 281 | 送り台 (組) | Feed bar assy. | 1 |
| 138 | MF 01E0 276 | 上下送り二又ネジ付 | Feed lifting rock shaft fork | 1 |
| 139 | M9 1112 002 | 平ネジ | 11/64(40)X12 Screw 11/64(40)X12 | 1 |
| 140 | M9 0315 065 | C形止メ輪軸用 | 15 Retaining ring C-type 15 | 2 |
| 141 | M9 1502 001 | 止メネジ | 15/64(28)X3.5 Screw 15/64(28)X3.5 | 1 |
| 142 | MF 00A0 286 | 水平送り軸メタル (左) | Bushing for feed rock shaft(Left) | 1 |
| 143 | M9 1602 001 | 止メネジ | 1/4(40)X4 Set screw 1/4(40)X4 | 4 |
| 144 | MF 80A0 352 | カラーネジ付 | Thrust collar with screw | 2 |
| 145 | MF 70A0 491 | 水平送り軸 | Feed rock shaft | 1 |
| 146 | MF 00A0 279 | 水平送り腕 (右) | Feed rock shaft crank(Right) | 1 |
| 147 | MF 00A0 454 | 水平送り腕軸 | Feed rock shaft crank pin | 1 |
| 148 | M9 1521 002 | 平ネジ | 11/64(40)X7 Screw 11/64(40)X7 | 1 |
| 149 | M9 1113 002 | 平ネジ | 11/64(40)X15 Screw 11/64(40)X15 | 1 |
| 150 | MF 01A0 557 | 糸調子バネ | Bobbin thread tension spring | 1 |
| 151 | M9 7085 030 | 糸調子ネジ | 3/32(100)X1.6 Tension spring screw 3/32(100)X1.6 | 1 |
| 152 | M9 7087 030 | 糸調子バネ止メネジ | 1/16(80)X1.2 Tension regulating screw 1/16(80)X1.2 | 1 |
| 153 | MF 01A0 245 | 空転防止バネ | Bobbin tension spring | 1 |
| 154 | ME 00A0 123 | ボビン | Bobbin | 1 |
| 155 | M9 1118 002 | 平ネジ | 11/64(40)X10 Screw 11/64(40)X10 | 1 |
| 156 | MF 10A0 229 | 内蓋止メ | Hook positioner | 1 |
| 157 | MF 00A0 120 | 釜組 | Rotary hook assy. | 1 |
| 158 | MF 05A0 740 | フィルター | Oil felt for lower shaft | 1 |
| 159 | M9 1259 030 | 特殊ネジ (組) | 3/16(32)X9 Oil cap screw assy. 3/16(32)X9 | 1 |
| 160 | M9 0800 086 | オイルシール | 8X12X3 Oil seal 8X12X3 | 1 |
| 161 | MF 00A0 451 | 下軸メタル (左) | Lower shaft bushing(Left) | 1 |
| 162 | M9 1602 020 | 六角穴付止メネジ | 1/4(40)X10 Socket set screw 1/4(40)X10 | 2 |
| 163 | MF 01E0 350 | 糸切りカムネジ付 | Thread trimmer cam with screw | 1 |
| 164 | MF 00A0 453 | 下軸メタル (中) | Lower shaft bushing(Middle) | 1 |
| 165 | MF 00A0 450 | 下軸 | Lower shaft | 1 |
| 166 | M9 1106 001 | 止メネジ | 11/64(40)X3.7 Set screw 11/64(40)X3.7 | 2 |
| 167 | MF 01E0 352 | カラーネジ付 | Thrust collar with screw | 1 |
| 168 | MF 00A0 452 | 下軸メタル (右) | Lower shaft bushing(Right) | 1 |
| 169 | MF 80A0 688 | パイプ | Oil pipe for lower shaft bushing | 1 |
| 170 | M9 1513 001 | 止メネジ | 15/64(28)X9.5 Set screw 15/64(28)X9.5 | 1 |
| 171 | MF 00A0 753 | プランジャ | Plunger | 1 |
| 172 | MF 00A0 572 | ツルマキバネ | Coil spring | 1 |
| 173 | MF 80A0 154 | 案内板 | Guide plate | 1 |
| 174 | M9 1515 002 | 平ネジ | 15/64(28)X10 Screw 15/64(28)X10 | 1 |
| 175 | M9 1502 050 | スラスト座金 | Thrust washer | 1 |
| 176 | M9 1513 001 | 止メネジ | 15/64(28)X9.5 Set screw 15/64(28)X9.5 | 1 |
| 177 | MF 70A0 286 | 上下送り軸メタル (左) | Bushing for feed lifting rock shaft | 1 |
| 178 | MF 70A0 460 | 上下送り軸 | Feed lifting rock shaft | 1 |
| 179 | M9 0904 060 | ツバ付軸 | Pin | 1 |
| * 180 | MH 00E0 277 | 上下送り腕右ネジ付 | Feed lifting rock shaft crank(Right) | 1 |
| 910 | MF 40E0 125 | ボビンケース (組) | Bobbin case assy. | 1 |

*印は、LG2-3370 専用部品を示します。

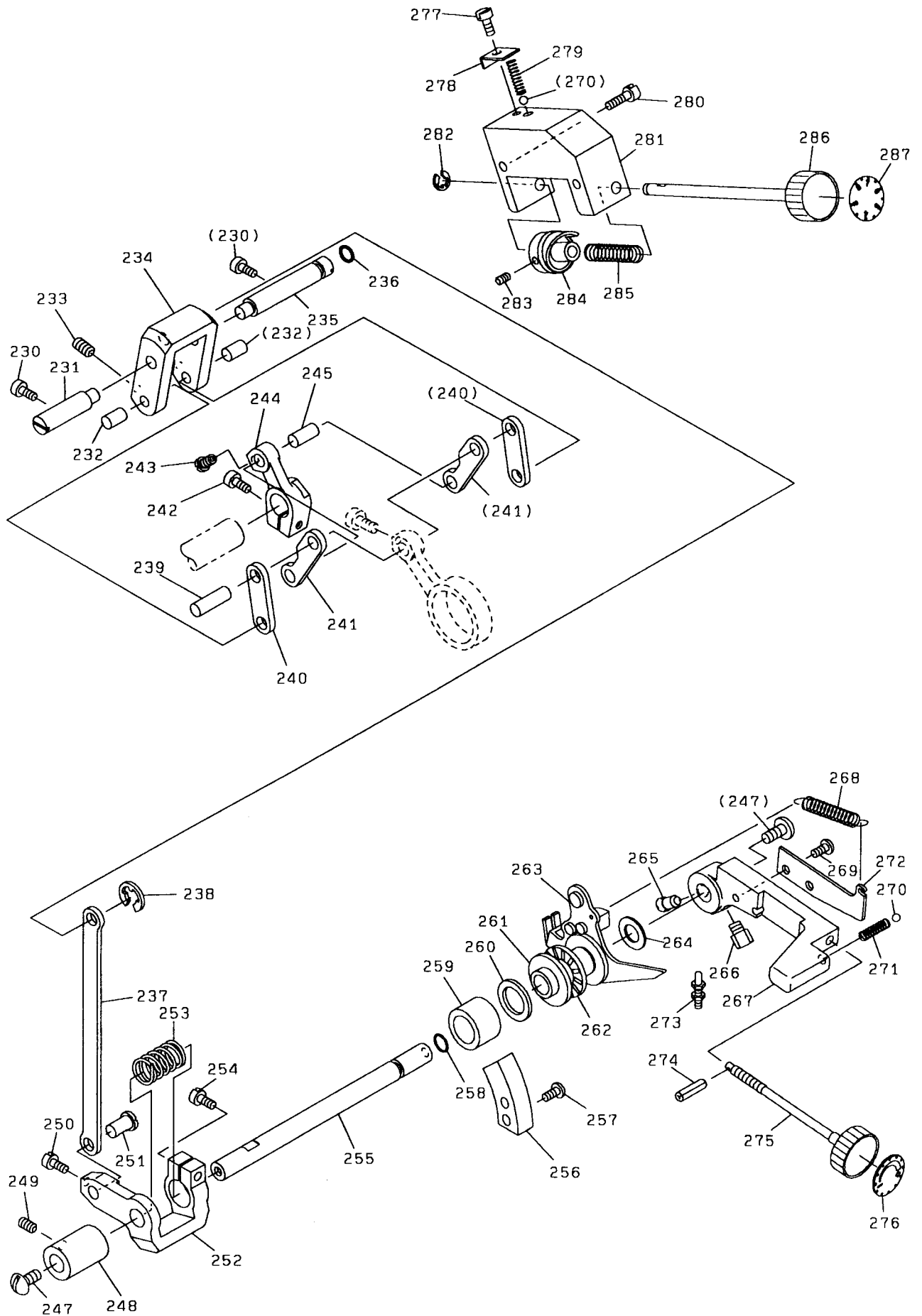
4 送り調節機構
STITCH LENGTH MECHANISM



4 送り調節機構 STITCH LENGTH MECHANISM

| Fig. No. | 部品コード Parts. No. | 部 品 名 | Description | 使用個数 Amt. Req. |
|----------|---------------------|--------|----------------------------------------------|-------------------|
| 190 | M9 1106 004 | ブラマイネジ | 11/64(40)X8..... Screw 11/64(40)X8..... | 1 |
| * 191 | MH 00A1 708 | バネ掛け | Spring holder..... | 1 |
| * 192 | MH 00A1 572 | ツルマキバネ | Coil spring..... | 1 |
| 193 | M9 1505 007 | 棒先丸平ネジ | 15/64(28)X12 Screw 15/64(28)X12 | 1 |
| 194 | M9 1509 022 | ボルト | 15/64(28)X12.5 ... Bolt 15/64(28)X12.5 | 1 |
| * 195 | MH 00A0 738 | 返し引棒 | Reverse pull bar | 1 |
| 196 | M9 0705 065 | E形止メ輪 | 5 Retaining ring E-type 5..... | 1 |
| * 197 | MH 00E0 291 | 送り調節カム | (組)..... Feed adjusting cam..... | 1 |
| 198 | M9 1521 002 | 平ネジ | 11/64(40)X7..... Screw 11/64(40)X7..... | 1 |
| * 199 | MH 00A0 530 | 段付軸 | Feed regulator stud | 1 |
| 200 | M9 1112 002 | 平ネジ | 11/64(40)X12 Screw 11/64(40)X12 | 2 |
| 201 | M9 0706 065 | E形止メ輪 | 6 Retaining ring E-type 6 | 1 |
| * 202 | MH 00A0 761 | 偏心軸 | Eccentric stud | 1 |
| * 203 | MH 00E0 953 | 送り連結板 | (組)..... Feed regulator link assy. ... | 1 |
| * 204 | MH 00A1 530 | 段付軸 | Pin | 1 |
| 205 | MF 00A2 910 | リンク | Link..... | 2 |
| 206 | MF 00A3 910 | リンク | Link..... | 2 |
| 207 | MF 00A1 454 | 軸 | Link stud | 1 |
| 208 | MF 00A2 454 | 軸 | Link stud | 2 |
| 209 | M9 1102 002 | 平ネジ | 11/64(40)X8.5..... Screw 11/64(40)X8.5 | 2 |
| 210 | M9 1521 002 | 平ネジ | 11/64(40)X7..... Screw 11/64(40)X7..... | 1 |
| 211 | M9 1109 002 | 平ネジ | 11/64(40)X7..... Screw 11/64(40)X7..... | 2 |
| * 212 | MH 00A2 572 | ツルマキバネ | Coil spring..... | 1 |
| * 213 | MH 00A0 708 | 掛け金 | Spring holder..... | 1 |
| * 214 | MH 00A3 572 | 段付軸 | Feed regulator shaft..... | 1 |
| 215 | MF 05A0 572 | ツルマキバネ | Coil spring..... | 1 |
| 216 | MF 00A0 852 | 位置決めピン | Stopper pin..... | 1 |
| 217 | M9 1000 085 | Oリング | 1AP10A..... O-ring 1AP10A..... | 1 |
| 218 | MF 85A0 640 | 送り調節ネジ | Screw bar..... | 1 |
| 219 | MF 02A0 245 | 円錐バネ | Coil spring..... | 1 |
| 220 | MF 00A0 950 | レバー | Stopper pin releasing lever... | 1 |
| 221 | MF 01A0 631 | ダイヤル | Dial | 1 |
| 222 | MN 82A0 841 | 目盛板 | Stitch length indicating plate | 1 |
| 223 | MF 00A0 257 | 押工金 | Bushing | 1 |
| 224 | M9 1215 002 | 平ネジ | 3/16(28)X12..... Screw 3/16(28)X12 | 1 |
| * 225 | MH 00A0 289 | 送り調節腕 | Stitch length adjusting crank | 1 |
| * 911 | MH 00E0 640 | 送り調節ネジ | (組)..... Screw bar assy. | 1 |

5 上送り調節機構
TOP FEED ROCK SHAFT MECHANISM

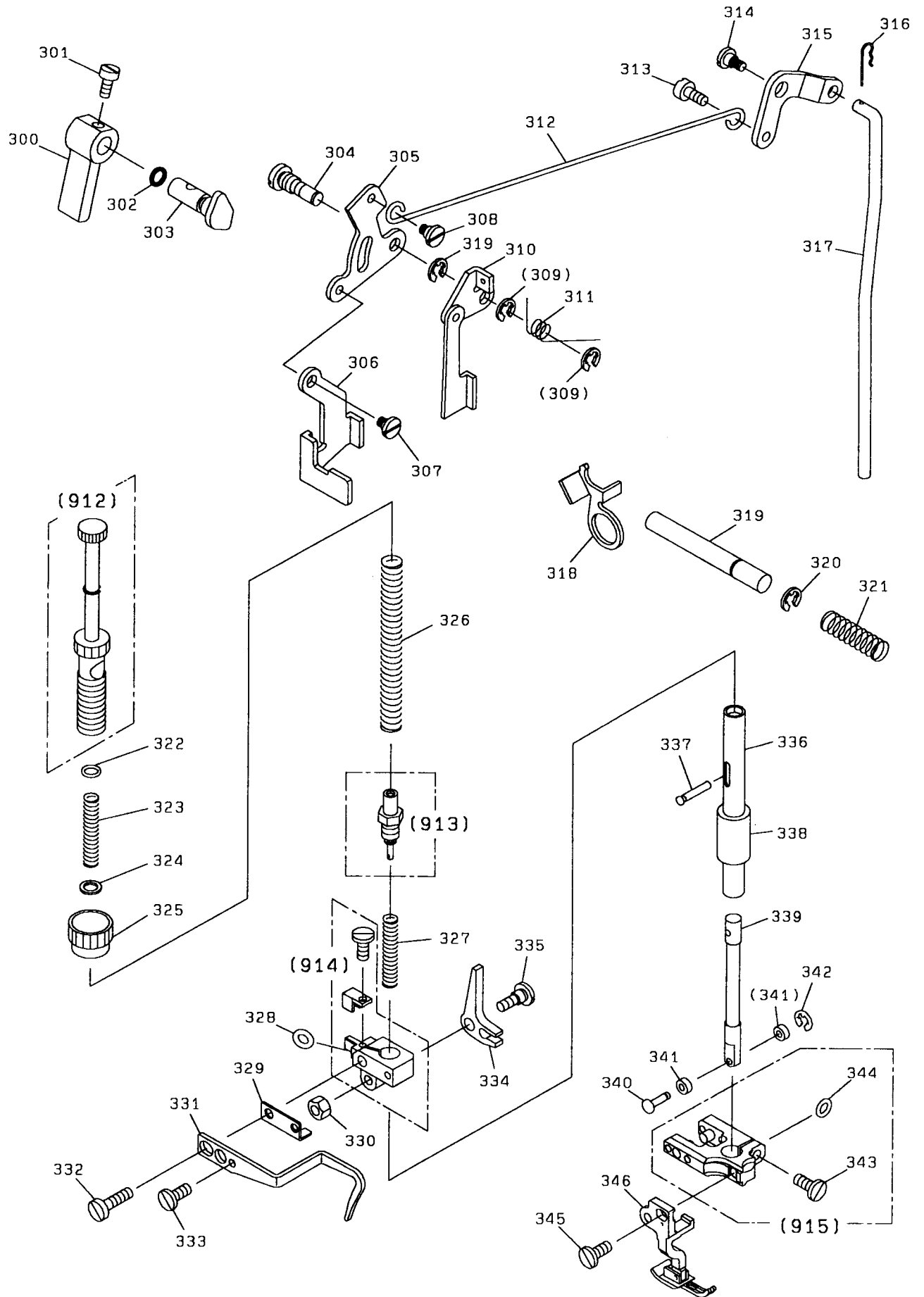


5 上送り調節機構 TOP FEED ROCK SHAFT MECHANISM

| Fig. No. | 部品コード Parts. No. | 部 品 名 | Description | 使用個数 Amt. Req. |
|----------|---------------------|---------------|--------------------------------------------------------|-------------------|
| | 230 M9 1112 002 | 平ネジ | 11/64(40)X12 Screw 11/64(40)X12 | 2 |
| * | 231 MH 00A3 530 | 段付軸 | Feed regulator stud..... | 1 |
| | 232 MF 00A2 454 | 軸 | Link stud | 2 |
| | 233 M9 1001 020 | 六角穴付止メネジ | 11/64(40)X5..... Socket screw 11/64(40)X5..... | 2 |
| * | 234 MH 00E1 289 | 上送り調節腕 | (組) Top stitch length adjusting crank assy. | 1 |
| * | 235 MH 00A4 530 | 段付軸 | Feed regulator stud..... | 1 |
| | 236 M9 0700 085 | Oリング | 1AP7 O-ring 1AP7 | 1 |
| * | 237 MH 00A0 910 | リンク | Link | 1 |
| | 238 M9 0705 065 | E形止メ輪 | 5 Retaining ring E-type 5 | 1 |
| | 239 MF 00A1 454 | 軸 | Link stud | 1 |
| | 240 MF 00A3 910 | リンク | Link | 2 |
| | 241 MF 02A0 910 | リンク | Link | 2 |
| | 242 M9 1203 002 | 平ネジ | 3/16(28)X15..... Screw 3/16(28)X15..... | 1 |
| | 243 M9 1521 002 | 平ネジ | 11/64(40)X7..... Screw 11/64(40)X7..... | 1 |
| * | 244 MH 00A0 465 | 上水平送り腕 | Top feed rock shaft crank ... | 1 |
| | 245 MF 00A0 454 | 軸 | feed rock shaft crank pin ... | 1 |
| | 247 M9 1207 003 | 丸平ネジ | 3/16(28)X6.5 Screw 3/16(28)X6.5 | 2 |
| * | 248 MH 00A0 833 | 返し縫い軸メタル | Feed reverse shaft bushing... | 1 |
| | 249 M9 1108 001 | 止メネジ | 11/64(40)X5.5 Screw 11/64(40)X5.5..... | 1 |
| | 250 M9 1102 002 | 平ネジ | 11/64(40)X8.5..... Screw 11/64(40)X8.5..... | 1 |
| * | 251 MH 00A1 530 | 段付軸 | Pin..... | 1 |
| * | 252 MH 00A0 257 | 上送り腕 | Top feed arm..... | 1 |
| * | 253 MH 00A1 729 | 捻りバネ | coil spring | 1 |
| | 254 M9 1203 002 | 平ネジ | 3/16(28)X15..... Screw 3/16(28)X15..... | 1 |
| * | 255 MH 00A0 320 | 返し縫い軸 | Feed reverse shaft | 1 |
| * | 256 MH 00A0 841 | 上送り目盛板 | Top feeding scale plate..... | 1 |
| | 257 M9 1107 002 | 平ネジ | 11/64(40)X5.5 Screw 11/64(40)X5.5..... | 2 |
| | 258 M9 0600 085 | Oリング | 1AP6 O-ring 1AP6 | 1 |
| * | 259 MH 00A0 628 | ベアリング | Needle bearing..... | 1 |
| * | 260 M9 1501 086 | オイルシール | 15X22X3 Oil seal 15X22X3 | 1 |
| * | 261 M9 8013 050 | 座金 | Thrust washer | 1 |
| * | 262 M9 4007 070 | スラストニードルベアリング | Thrust bearing | 1 |
| * | 263 MH 00E0 750 | 上送りブッシュ | (組) Top feed lever | 1 |
| * | 264 M9 1015 050 | 座金 | Washer..... | 1 |
| | 265 M9 1505 007 | 棒先丸平ネジ | 15/64(28)X12 Screw 15/64(28)X12 | 1 |
| | 266 M9 1509 022 | ボルト | 15/64(28)X12.5 ... Bolt 15/64(28)X12.5 | 1 |
| * | 267 MH 00A0 632 | 縫目加減レバー | Stitch adjusting lever..... | 1 |
| * | 268 MH 00A3 572 | ツルマキバネ | Coil spring | 1 |
| | 269 M9 1110 002 | 平ネジ | 11/64(40)X8..... Screw 11/64(40)X8..... | 2 |
| * | 270 M9 8012 070 | 鋼球 | 5 Ball 5..... | 2 |
| * | 271 MH 00A4 572 | ツルマキバネ | Spring..... | 1 |
| * | 272 MH 00A3 708 | バネ掛け | Spring holder..... | 1 |
| * | 273 MH 00E0 477 | ストッパー | (組) Stopper assy..... | 1 |
| * | 274 M9 0104 064 | スプリングピン | φ1.6X6 Spring pin φ1.6X6 | 1 |
| * | 275 MH 00A0 631 | 上送りダイヤル | Top feeding dial | 1 |
| * | 276 MH 00A0 645 | ネーマ | Top indicating plate..... | 1 |
| | 277 M9 1109 002 | 平ネジ | 11/64(40)X7..... Screw 11/64(40)X7 | 1 |
| * | 278 MH 00A0 702 | バネ受け板 | Spring holder | 1 |
| * | 279 MH 00A5 572 | ツルマキバネ | Coil spring..... | 1 |
| | 280 M9 1126 002 | 平ネジ | 11/64(40)X27 Screw 11/64(40)X27 | 2 |
| * | 281 MH 00A0 477 | ストッパーダイ | Ruffling stopper base | 1 |
| | 282 M9 0504 065 | E形止メ輪 | 4 Retaining ring E-type 4 | 1 |
| * | 283 M9 1109 001 | 止メネジ | 11/64(40)X6..... Set screw 11/64(40)X6 | 2 |
| * | 284 MH 00A0 350 | ストッパーカム | Ruffling stopper cam | 1 |
| * | 285 MH 00A6 572 | ツルマキバネ | Coil spring | 1 |
| * | 286 MH 00A1 631 | ストッパーダイヤル | Ruffling stopper dial | 1 |
| * | 287 MH 00A1 645 | ネーマ | Ruffling indicating plate ... | 1 |

*印は、LG2-3370 専用部品を示します。

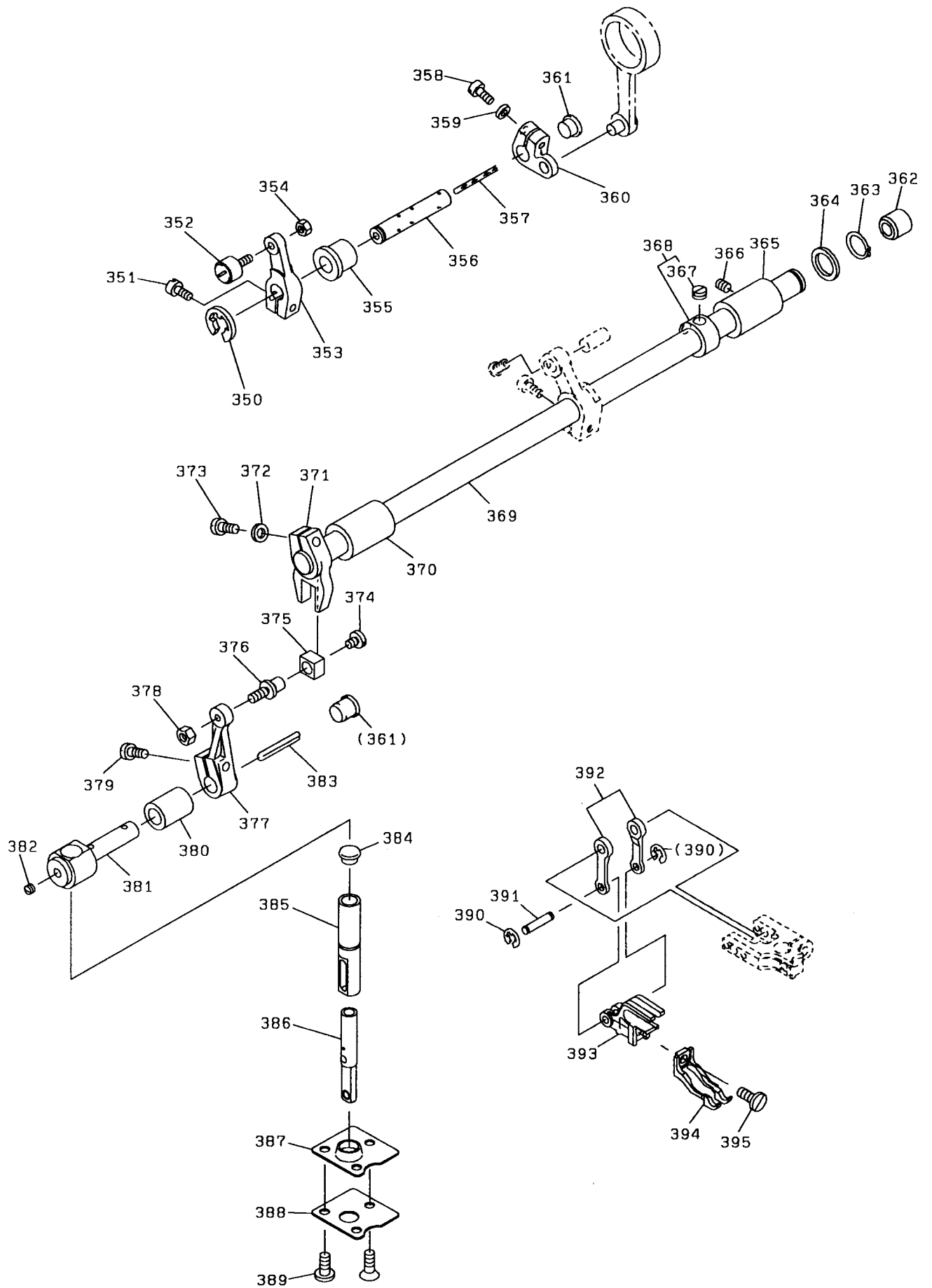
6 押え機構
PRESSER FOOT MECHANISM



6 押え機構 PRESSER FOOT MECHANISM

| Fig. No. | 部品コード Parts. No. | 部 品 名 | Description | 使用個数 Amt. Req. |
|----------|---------------------|-----------|--------------------------------|-------------------|
| * 300 | MH 00A0 252 | 押工上ゲレバー | Presser foot lifter lever | 1 |
| 301 | M9 1111 003 | 丸平ネジ | 11/64(40)X10 | 1 |
| * 302 | M9 0600 085 | Oリング | 1AP5 | 1 |
| * 303 | MH 00A0 253 | 押工上ゲカム | Lifter cam | 1 |
| * 304 | M9 2002 015 | 段付平ネジ | 5/16(24)X8 | 1 |
| * 305 | MH 00A1 252 | 押工上ゲレバー | (左) | 1 |
| * 306 | MH 00A0 720 | 引き上げ板 | Pullup plate | 1 |
| * 307 | M9 1114 015 | 段付平ネジ | 11/64(40)X2.6 | 1 |
| * 308 | M9 1113 015 | 段付平ネジ | 11/64(40)X3.5 | 1 |
| 309 | M9 0705 065 | E形止メ輪 | 5 | 3 |
| * 310 | MH 00E1 720 | 糸緩メ引き上げ板 | (組) | 1 |
| * 311 | MH 00A0 700 | 糸緩メレバーバネ | Spring | 1 |
| 312 | MF 70A0 738 | 引棒 | Knee lifter rod | 1 |
| 313 | M9 1219 015 | 段付平ネジ | 3/16(28)X3.5 | 1 |
| 314 | M9 1503 031 | 段付ボルト | 15/64(28)X6.5 | 1 |
| * 315 | MH 00A2 252 | 押工上ゲレバー | (右) | 1 |
| * 316 | M9 0601 065 | スナップピン | 6 | 1 |
| * 317 | MH 00A0 511 | 操作棒 | Knee lifter connecting rod | 1 |
| * 318 | MH 00A0 221 | 糸緩メ板 | Tension release plate | 1 |
| * 319 | M9 0525 060 | 糸緩メピン | Tension release pin | 1 |
| 320 | M9 0707 065 | E形止メ輪 | 3 | 1 |
| * 321 | MH 00A0 223 | 糸緩メバネ | Tension release pin spring | 1 |
| * 322 | M9 0624 050 | 案内棒バネ受け座金 | Washer | 1 |
| * 323 | MH 00A1 700 | 案内棒バネ | Top feed adjusting knob spring | 1 |
| * 324 | M9 0625 050 | 押工バネ受け座金 | Washer | 1 |
| 325 | M9 3202 047 | ツマミナット | 1/2(28) | 1 |
| * 326 | MH 00A0 259 | 押工バネ | Presser spring | 1 |
| * 327 | MH 00A2 700 | 上送りバネ | Top feed spring | 1 |
| * 328 | M9 0513 050 | 座金 | 5 | 1 |
| * 329 | MH 00A0 161 | 当て板 | Bracket plate | 1 |
| 330 | M9 1252 045 | ナット | 3/16(32) | 1 |
| * 331 | MH 00A0 216 | 上糸案内 | Upper thread guide | 1 |
| 332 | M9 1113 002 | 平ネジ | 11/64(40)X15 | 1 |
| 333 | M9 0922 002 | 平ネジ | 9/64(40)X6 | 1 |
| * 334 | MH 00A0 763 | ベルクランク | Bellcrank | 1 |
| * 335 | M9 1265 015 | 段付平ネジ | 3/16(32)X10 | 1 |
| * 336 | MH 00A0 262 | 押工棒 | Presser bar | 1 |
| * 337 | M9 0326 060 | 上下ピン | Top feed lifting pin | 1 |
| * 338 | MH 00A0 267 | 押工棒メタル | Presser bar bushing | 1 |
| * 339 | MH 00A0 784 | 上下棒 | Top feed lifting bar | 1 |
| * 340 | MH 00A0 412 | 上下棒コロ軸 | Roller pin | 1 |
| * 341 | MH 00A0 411 | 上下棒コロ | Roller | 2 |
| * 342 | M9 9002 065 | クリセント形止メ輪 | Snap ring | 1 |
| 343 | M9 1206 003 | 丸平ネジ | 3/16(28)X10 | 1 |
| * 344 | M9 5014 050 | 座金 | 5 | 1 |
| 345 | M9 1204 003 | 丸平ネジ | 3/16(28)X12 | 1 |
| * 346 | MH 00B1 105 | 押工 | (組) | 1 |
| * 912 | MH 00E0 261 | 押工調節ネジ | (組) | 1 |
| * 913 | MH 00E0 366 | 押工棒キャップネジ | (組) | 1 |
| * 914 | MH 00E0 265 | 押工棒抱キガイド | (組) | 1 |
| * 915 | MH 00E0 263 | 押工棒台 | (組) | 1 |

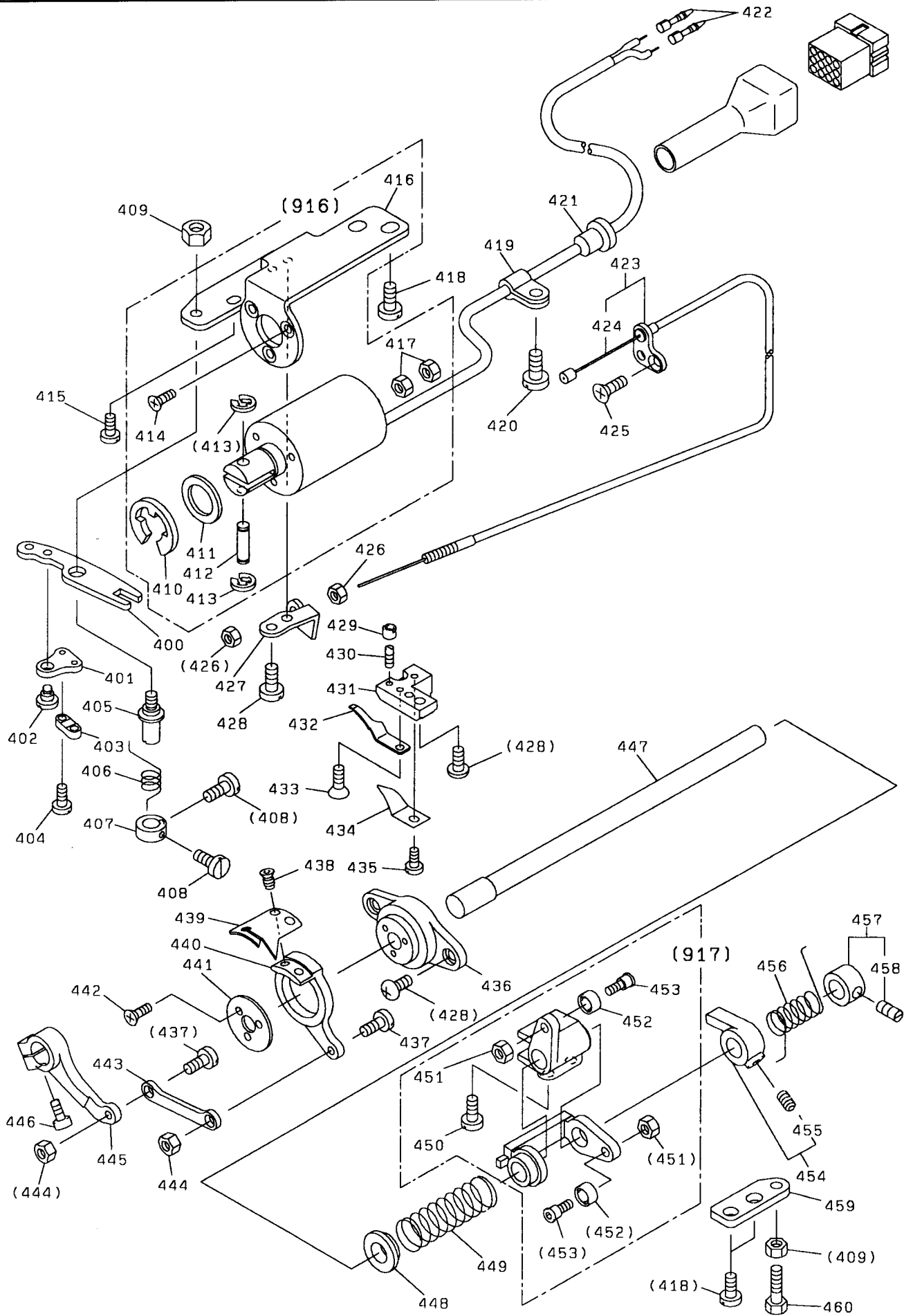
7 上送り機構
TOP FEED MECHANISM



7 上送り機構 TOP FEED MECHANISM

| Fig. No. | 部品コード Parts. No. | 部 品 名 | Description | 使用個数 Amt. Req. |
|----------|---------------------|-----------|------------------------------------------------|-------------------|
| * 350 | M9 0708 065 | E形止メ輪 | 7 Retaining ring E-type 7..... | 1 |
| 351 | M9 1204 003 | 丸平ネジ | 3/16(28)X12..... Screw 3/16(28)X12 | 1 |
| * 352 | M9 7001 070 | カムフォロアー | Cam follower | 1 |
| * 353 | MH 00A0 463 | 上送り上下腕 | (前) Top feed vertical arm (Front)... | 1 |
| * 354 | M9 1003 045 | ナット | M4 Nut M4 | 1 |
| * 355 | MH 00A0 285 | 上送り上下軸メタル | Top feed vertical shaft bushing ... | 1 |
| * 356 | MH 00A0 460 | 上部上下軸 | Top feed vertical shaft | 1 |
| 357 | MN 70E0 148 | 綿芯 | Oil wick | 1 |
| 358 | M9 1206 003 | 丸平ネジ | 3/16(28)X10..... Screw 3/16(28)X10 | 1 |
| 359 | M9 0501 050 | 座金 | Washer | 1 |
| * 360 | MH 00A0 462 | 上送り上下腕 | (後) Top feed vertical arm (Year) ... | 1 |
| * 361 | M9 1005 080 | ゴム栓 | φ10.5..... Rubber plug φ10.5 | 2 |
| 362 | M9 2005 080 | ゴム栓 | φ21.5..... Rubber plug φ21.5 | 1 |
| 363 | M9 0312 065 | C形止メ輪用 | 12 Retaining ring C-type 12..... | 1 |
| 364 | M9 1402 050 | 座金 | Washer | 1 |
| * 365 | MH 00A0 287 | 上送り水平軸メタル | (右) Upper horizontal bushing (Right) ... | 1 |
| 366 | M9 1111 001 | 止メネジ | 11/64(40)X10 Set screw 11/64(40)X10..... | 1 |
| 367 | M9 1601 001 | 止メネジ | 1/4(40)X3..... Set screw 1/4(40)X3 | 2 |
| 368 | MH 00A1 352 | カラーネジ付 | Thrust collar with screw | 1 |
| * 369 | MH 00A0 491 | 上送り水平軸 | Upper horizontal rocker shaft... | 1 |
| * 370 | MH 00A0 286 | 上送り水平軸メタル | (左) Upper horizontal bushing (Left) ... | 1 |
| * 371 | MH 00A0 744 | 上水平二又 | Upper horizontal forked arm... | 1 |
| 372 | M9 0501 050 | 座金 | Washer | 1 |
| 373 | M9 1204 003 | 丸平ネジ | 3/16(28)X12..... Screw 3/16(28)X12 | 1 |
| * 374 | M9 1134 002 | 平ネジ | 11/64(40)X5.5..... Screw 11/64(40)X5.5 | 1 |
| * 375 | MH 00A1 325 | 角駒 | Square block..... | 1 |
| * 376 | MH 00A1 412 | コ口軸 | Square block stud..... | 1 |
| * 377 | MH 00A0 228 | 上水平腕 | Upper rocker crank..... | 1 |
| 378 | M9 1202 045 | ナット | 3/16(28)..... Nut 3/16(28)..... | 1 |
| 379 | M9 1203 002 | 平ネジ | 3/16(28)X15..... Screw 3/16(28)X15 | 1 |
| * 380 | MH 00A1 833 | 上水平軸メタル | Upper rocker shaft bushing... | 1 |
| * 381 | MH 00A1 491 | 上水平軸 | Upper rocker shaft | 1 |
| 382 | M9 1503 001 | 止メネジ | Set screw | 1 |
| 383 | MF 10E2 148 | アブラヒモ | Oil wick..... | 1 |
| 384 | M9 0883 080 | ゴム栓 | φ8.8 Rubber plug φ8.8 | 1 |
| * 385 | MH 00A2 833 | 水平棒メタル | Top feed bar bushing | 1 |
| * 386 | MH 00E1 784 | 水平棒 | (組) Top feed bar..... | 1 |
| * 387 | MH 00A2 691 | パッキン | Gasket | 1 |
| * 388 | MH 00A0 257 | パッキン押工 | Gasket plate..... | 1 |
| * 389 | M9 1103 010 | 皿ネジ | 11/64(40)X8.2..... Screw 11/64(40)X8.2..... | 3 |
| * 390 | M9 9003 065 | 軸用CE形リング | 4 Retaining ring CE type 4..... | 2 |
| * 391 | MH 00A0 454 | 軸 | Pin | 1 |
| * 392 | MH 00A1 910 | リンク | (組) Link assy..... | 1 |
| * 393 | MH 00A0 281 | 上送り台 | Top feed dog base | 1 |
| * 394 | MH 00B1 294 | 上送り | Top feed dog | 1 |
| 395 | M9 1116 002 | 平ネジ | 11/64(40)X8..... Screw 11/64(40)X8 | 1 |

8 糸切り機構
KNIFE ACTUATING MECHANISM

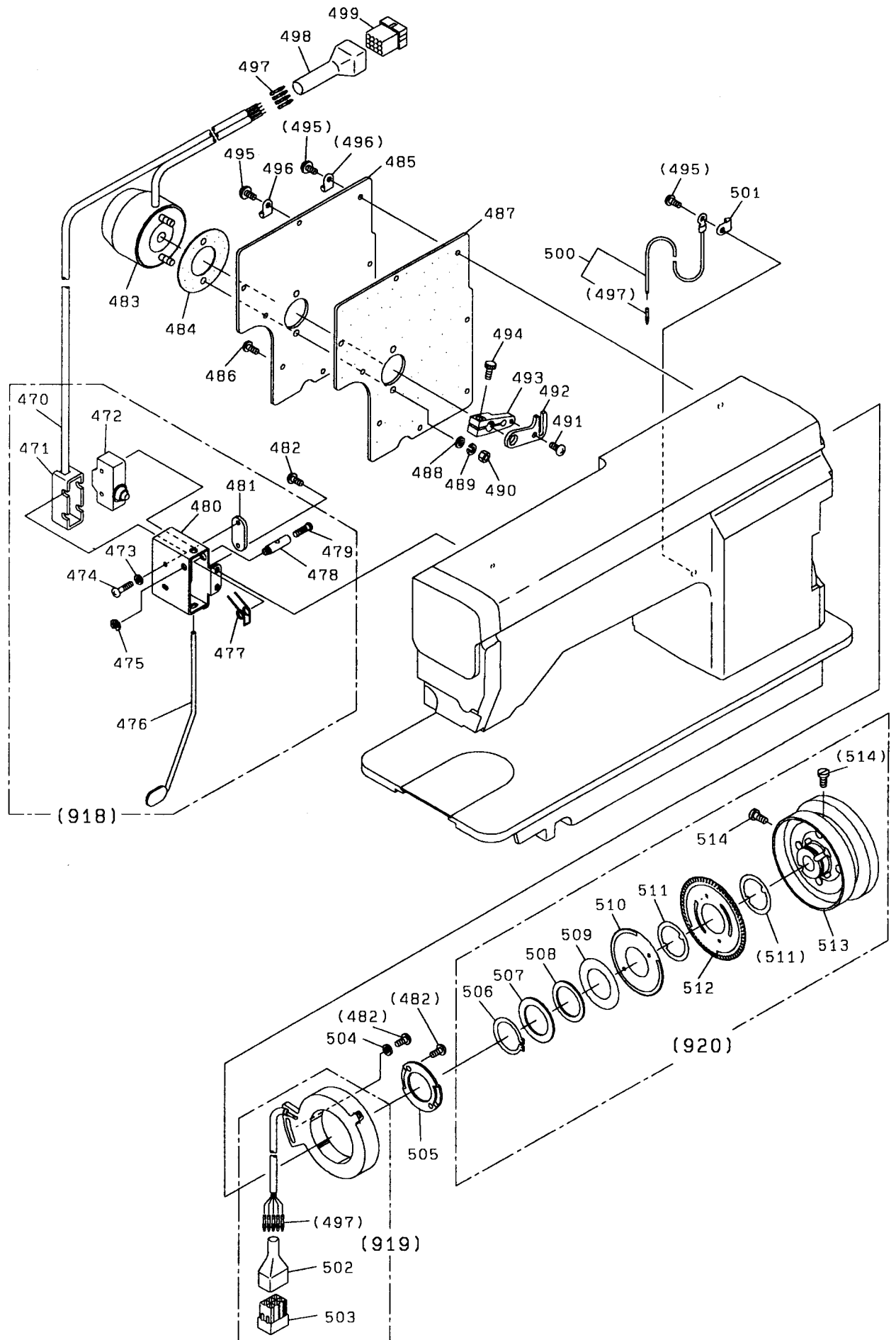


8 糸切り機構 KNIFE ACTUATING MECHANISM

| Fig. No. | 部品コード Parts. No. | 部 品 名 | Description | 使用個数 Amt. Req. |
|----------|---------------------|------------------|------------------------------|-------------------|
| * 400 | MH 00A0 391 | 駆動板 | Thread trimmer driving lever | 1 |
| 401 | MF 90A0 361 | 掛ケ金 | Flexible wire holder | 1 |
| * 402 | M9 1141 015 | 段付平ネジ | 11/64(40)X3.3 | 1 |
| 403 | MF 36A0 750 | ブッシュ | Flexible wire presser | 1 |
| 404 | M9 0802 002 | 平ネジ | 1/8(44)X7 | 2 |
| 405 | M9 7082 030 | 特殊ネジ | 15/64(28)X7.5 | 1 |
| 406 | MF 00A1 729 | ヒネリバネ | Trimming lever spring | 1 |
| 407 | MF 00A1 352 | カラー | Spring support collar | 1 |
| 408 | M9 0903 002 | 平ネジ | 9/64(40)X6.5 | 2 |
| 409 | M9 1502 045 | ナット | 15/64(28) | 2 |
| 410 | M9 0703 065 | E形止メ輪 | 12 | 1 |
| 411 | MF 01A0 397 | クッション | Cushion | 1 |
| 412 | M9 0516 063 | ピン | Pin | 1 |
| 413 | M9 0504 065 | E形止メ輪 | 4 | 2 |
| 414 | M9 4008 037 | P皿ネジ | M4X6 | 3 |
| 415 | M9 1118 002 | 平ネジ | 11/64(40)X10 | 1 |
| 416 | MF 00A1 509 | ソレノイド取付板 | Solenoid bracket | 1 |
| 417 | M9 2074 075 | 止メナット | M5 | 2 |
| 418 | M9 1510 002 | 平ネジ | 15/64(28)X12 | 4 |
| 419 | M9 4003 099 | コードホルダー | Cord holder | 1 |
| 420 | M9 1109 004 | PW付ブラマイネジ | 11/64(40)X8 | 1 |
| 421 | M9 1003 080 | ゴムブッシュ | Rubber bushing | 1 |
| 422 | M9 3003 099 | ピンターミナル (オス) | Termindl pin(Male) | 2 |
| * 423 | MH 00E0 746 | フレキシブルワイヤ (組) | Flexible wire assy. | 1 |
| 424 | MF 00A0 746 | フレキシブルワイヤ | Flexible wire | 1 |
| 425 | M9 1103 011 | 丸皿ネジ | 11/64(40)X7 | 1 |
| 426 | M9 1373 045 | ナット | M5 | 2 |
| 427 | MG 52E0 780 | ホルダー | Holder | 1 |
| 428 | M9 1106 004 | ブラマイネジ | 11/64(40)X8 | 5 |
| 429 | M9 1110 045 | ナット | 11/64(40) | 1 |
| 430 | M9 0913 001 | 止メネジ | 9/64(40)X8.5 | 1 |
| 431 | MF 00A1 603 | 取付台 | Bracket for fixed blade | 1 |
| 432 | MF 00A0 838 | 固定メス | Fixed blade | 1 |
| 433 | M9 1102 010 | 皿ネジ | 11/64(40)X9 | 1 |
| 434 | MF 00A0 180 | 糸案内 | Thread finger | 1 |
| 435 | M9 0921 002 | 平ネジ | 9/64(40)X8 | 1 |
| 436 | MF 00A1 527 | 台座 | Knife holding bracket saddle | 1 |
| 437 | M9 1111 015 | 段付平ネジ | 11/64(40)X6.2 | 2 |
| 438 | M9 1151 010 | 皿ネジ | 11/64(40)X7 | 2 |
| 439 | MF 00A0 834 | メス (左) | Movable knife(Left) | 1 |
| 440 | MF 00A0 836 | メス台 (左) | Knife base(Left) | 1 |
| 441 | M9 4006 052 | 座金 | Thrust washer | 1 |
| 442 | M9 0803 010 | 皿ネジ | 1/8(44)X6 | 3 |
| 443 | MF 00A8 910 | リンク | Link | 1 |
| 444 | M9 1107 045 | ナット | 11/64(40) | 2 |
| 445 | MF 00A1 392 | 駆動腕 | Knife driving crank | 1 |
| 446 | M9 1117 002 | 丸平ネジ | 11/64(40)X13 | 1 |
| 447 | MF 00A5 454 | メス揺動軸 | Knife driving shaft | 1 |
| 448 | MF 00A0 750 | ブッシュ | Bushing | 1 |
| 449 | MF 00A9 572 | ツルマキバネ | Coil spring | 1 |
| 450 | M9 1516 002 | 平ネジ | 15/64(28)X8.5 | 2 |
| 451 | M9 1201 045 | ナット | 3/16(28) | 2 |
| 452 | MF 00A0 411 | コロ | Roller | 2 |
| 453 | MF 00A0 412 | コロ軸 | Roller stud | 2 |
| 454 | MG 52A0 477 | ストッパーネジ付 | Stopper screw | 1 |
| 455 | M9 1606 001 | 止メネジ | 1/4(40)X7 | 1 |
| 456 | MF 00A0 729 | ヒネリバネ | Coil spring | 1 |
| 457 | MF 01E1 352 | カラーネジ付 | Collar with screw | 1 |
| 458 | M9 1602 001 | 止メネジ | 1/4(40)X4 | 1 |
| 459 | MF 00A1 477 | ストッパー板 | Lever stopper plate | 1 |
| 460 | M9 1512 022 | ボルト | 15/64(28)X23 | 1 |
| 916 | MF 00E3 519 | 糸切りソレノイド (組) | Thread trimming solenoid | 1 |
| 917 | MF 01E0 351 | カム追従腕 (組) | Cam follower crank assy. | 1 |

*印は、LG2-3370 専用部品を示します。

⑨ タッチバック機構および検出器機構
TOUCH BACK MECHANISM & DETECTOR MECHANISM

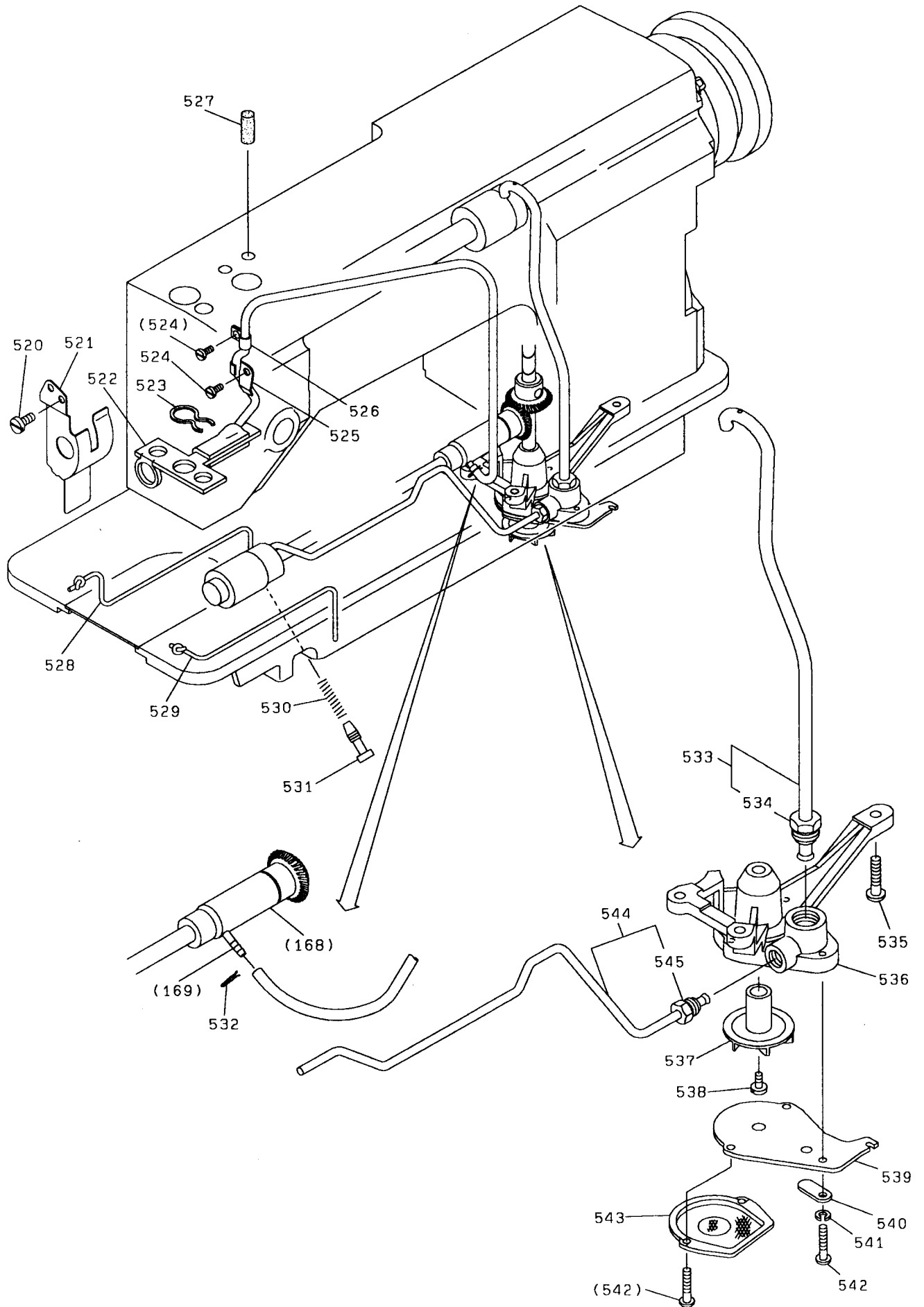


⑨ タッチバック機構および検出器機構 TOUCH BACK MECHANISM & DETECTOR MECHANISM

| Fig. No. | 部品コード Parts. No. | 部 品 名 | Description | 使用個数 Amt. Req. |
|----------|---------------------|------------|---------------------------------------------|-------------------|
| 470 | M9 7104 099 | コード | (組)..... Cable assy. | 1 |
| 471 | MF 40A4 339 | 端子保護カバー | (AA8000)..... Switch cover (AA8000)..... | 1 |
| 472 | M9 0204 099 | スイッチ | (AM1306)..... Switch (AM1306) | 1 |
| 473 | M9 0450 050 | 座金 | 4..... Washer 4 | 2 |
| 474 | M9 0412 037 | Pナベネジ | M4X30..... Screw M4X30 | 2 |
| 475 | M9 0505 065 | Eガタ止メ輪 | 5..... E-ring 5 | 1 |
| * 476 | MH 00A3 950 | レバークミタテ | Touch lever | 1 |
| 477 | MF 40A0 729 | ヒネリバネ | Touch lever spring..... | 1 |
| 478 | MF 40A1 530 | 段付軸 | Stopped shaft | 1 |
| 479 | M9 1117 002 | 丸平ネジ | 11/64(40)X11.5... Screw 11/64(40)X11.5..... | 1 |
| 480 | MN 35A0 339 | カバー | Switch cover..... | 1 |
| 481 | MF 40A3 601 | 取付板 | Set plate | 1 |
| 482 | M9 1106 004 | ブラマイネジ | 11/64(40)X8..... Screw 11/64(40)X8 | 5 |
| * 483 | MH 00E0 519 | ソレノイド | Solenoid | 1 |
| * 484 | MH 00A3 691 | ガスケット | Gasket | 1 |
| * 485 | MH 00A1 880 | 横蓋 | Arm side cover..... | 1 |
| 486 | M9 1109 004 | PW付ブラマイネジ | 11/64(40)X8..... Screw 11/64(40)X8 | 4 |
| * 487 | MH 00A4 691 | ガスケット | Gasket | 1 |
| 488 | M9 0607 050 | ミガキ座金 | 6..... Washer 6 | 2 |
| 489 | M9 0601 053 | バネ座金 | 6..... Spring washer | 2 |
| 490 | M9 1571 045 | ナット | M6..... Nut M6 | 2 |
| 491 | M9 1118 002 | 平ネジ | 11/64(40)X10..... Screw 11/64(40)X10..... | 1 |
| * 492 | MH 00A0 321 | 返し板 | Reverse plate | 1 |
| * 493 | MH 00A0 392 | 返し駆動腕 | Reverse driving crank..... | 1 |
| 494 | M9 1502 022 | ボルト | 15/64(28)X13..... Bolt 15/64(28)X13 | 1 |
| 495 | M9 1111 004 | ブラマイネジ | 11/64(40)X10..... Screw 11/64(40)X10..... | 4 |
| 496 | MN 60A0 620 | ナイロクリップ | HP-5N..... Cord holder | 2 |
| 497 | M9 3003 099 | ピンターミナル | (オス)..... Terminal pin (Male) | 11 |
| 498 | MF 01A0 366 | コネクターキャップ | Connector cap | 1 |
| 499 | M9 1018 099 | コネクター | 12P..... Nylon connector 12-pole..... | 1 |
| 500 | M9 7003 095 | アースコード | (組)..... Ground wire assy. | 1 |
| 501 | M9 4008 099 | ナイロクリップ | HP-8N..... Cord holder | 2 |
| 502 | MF 01A1 366 | コネクターキャップ | Connector cap | 1 |
| 503 | M9 1020 099 | コネクター | 6P..... Connector 6-pole | 1 |
| 504 | M9 3002 050 | 座金 | Washer | 1 |
| 505 | MF 01A0 257 | 押工板 | Detector bracket supporter... | 1 |
| 506 | M9 0330 065 | C型止メ輪 | 30..... Retaining ring C-type 30..... | 1 |
| 507 | M9 3001 050 | 座金 | 30..... Washer 30 | 1 |
| 508 | MF 01A0 259 | 反射板押エスプリング | Supporter spring | 1 |
| 509 | MF 01A1 476 | スペーサ | B..... Spacer B | 1 |
| 510 | MF 01A1 694 | 反射板 | B21(上)..... Speed command disc B21(Up) ... | 1 |
| 511 | MF 01A0 476 | スペーサ | A..... Spacer A | 2 |
| 512 | MF 01A0 694 | 反射板 | B11(下)..... Speed command disc B11(Down)... | 1 |
| 513 | MF 01A0 682 | プーリ | Pulley | 1 |
| 514 | M9 1502 002 | 平ネジ | 15/64(28)X12..... Screw 15/64(28)X12..... | 2 |
| * 918 | MH 00E0 534 | タッチスイッチ | (組)..... Touch switch assy. | 1 |
| 919 | MF 01E0 406 | 検出器 | (組)..... Detector bracket assy. | 1 |
| 920 | MF 01E0 682 | プーリ | (組)..... Pulley assy. | 1 |

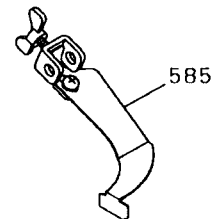
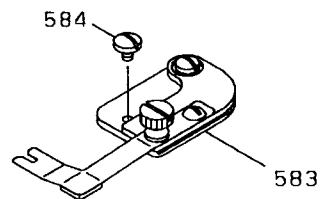
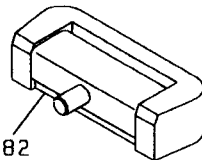
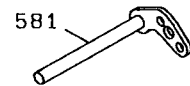
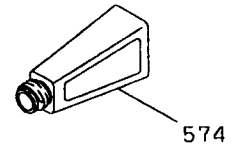
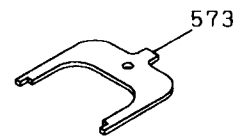
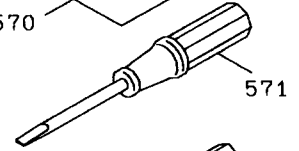
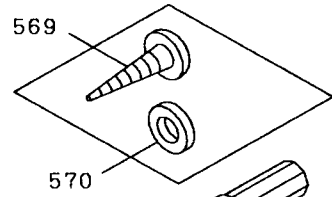
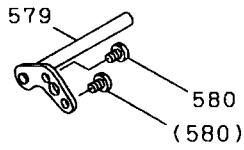
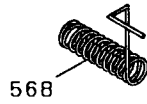
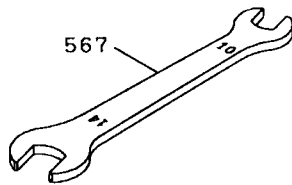
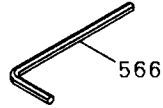
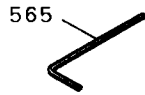
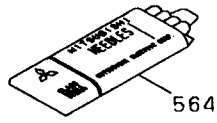
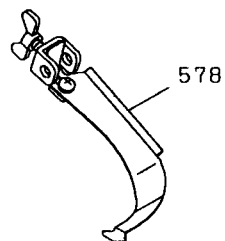
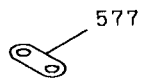
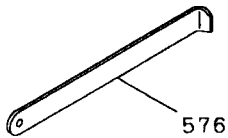
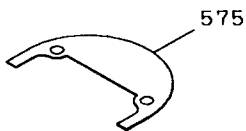
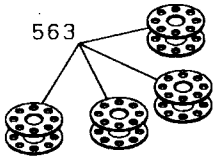
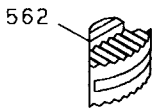
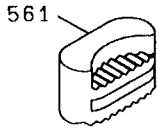
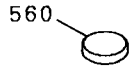
*印は、LG2-3370 専用部品を示します。

10 給油機構
OIL LUBRICATION MECHANISM



| Fig. No. | 部品コード Parts. No. | 部 品 名 | Description | 使用個数 Amt. Req. |
|----------|---------------------|-----------|-----------------------------------------------------|-------------------|
| | 520 M9 1106 004 | ブラマイネジ | 11/64(40)X8..... Screw 11/64(40)X8 | 2 |
| * | 521 MH 00A0 873 | 油防板 | (組)..... Arm oil shield assy. | 1 |
| * | 522 MH 00E0 740 | 還油フェルト | (組)..... Oil return felt assy. | 1 |
| * | 523 MH 00A0 741 | フェルト押エ | Felt holder | 1 |
| | 524 M9 1109 002 | 平ネジ | 11/64(40)X7..... Screw 11/64(40)X7 | 2 |
| * | 525 MH 00A0 780 | ホルダー | Holder | 1 |
| * | 526 MH 00A1 780 | ホルダー | Holder | 1 |
| | 527 MF 01A2 740 | 給油フェルト | φ 8X30 Oil felt | 1 |
| | 528 MF 95A0 148 | 給油紐 | Oil wick | 1 |
| | 529 MF 00A0 148 | 給油紐 | Oil wick | 1 |
| | 530 MF 80A1 572 | ツルマキバネ | Coil spring | 1 |
| | 531 M9 7084 030 | 油量調節ネジ | 15/64(28) Oil adjusting screw 15/64(28) | 1 |
| | 532 MF 01A0 378 | 還油パイプクリップ | Oil return tube clip..... | 1 |
| | 533 MF 80A1 688 | 給油パイプ | (組)(上)..... Upper shaft oil tube assy. ... | 1 |
| | 534 MF 40A1 750 | パイプ接続ブッシュ | 1/2(28) Oil tube lock bushing 1/2(28) | 1 |
| | 535 M9 1103 004 | ブラマイネジ | 11/64(40)X13 Screw 11/64(40)X13..... | 3 |
| | 536 MF 80A0 783 | ポンプケース | Oil pump | 1 |
| | 537 MF 10A0 685 | 羽根車 | Oil pump impeller..... | 1 |
| | 538 M9 0810 002 | 平ネジ | 1/8(44)X8..... Screw 1/8(44)X8 | 1 |
| | 539 MF 00A2 601 | 羽根車カバー | Oil pump impeller cover..... | 1 |
| | 540 MF 10A1 742 | 油量調節弁 | Oil adjusting plate | 1 |
| | 541 M9 0304 053 | バネ座金 | 3.5 Spring washer 3.5 | 1 |
| | 542 M9 0801 004 | ブラマイネジ | 1/8(44)X13 Screw 1/8(44)X13..... | 3 |
| | 543 MF 10E0 337 | ポンプフィルター | Oil pump filter | 1 |
| | 544 MF 00E0 142 | 給油パイプ | (組)(下)..... Lower shaft oil tube assy. ... | 1 |
| | 545 M9 2201 047 | パイプ接続ブッシュ | 11/32(28) Oil tube lock bushing 11/32(28) ... | 1 |

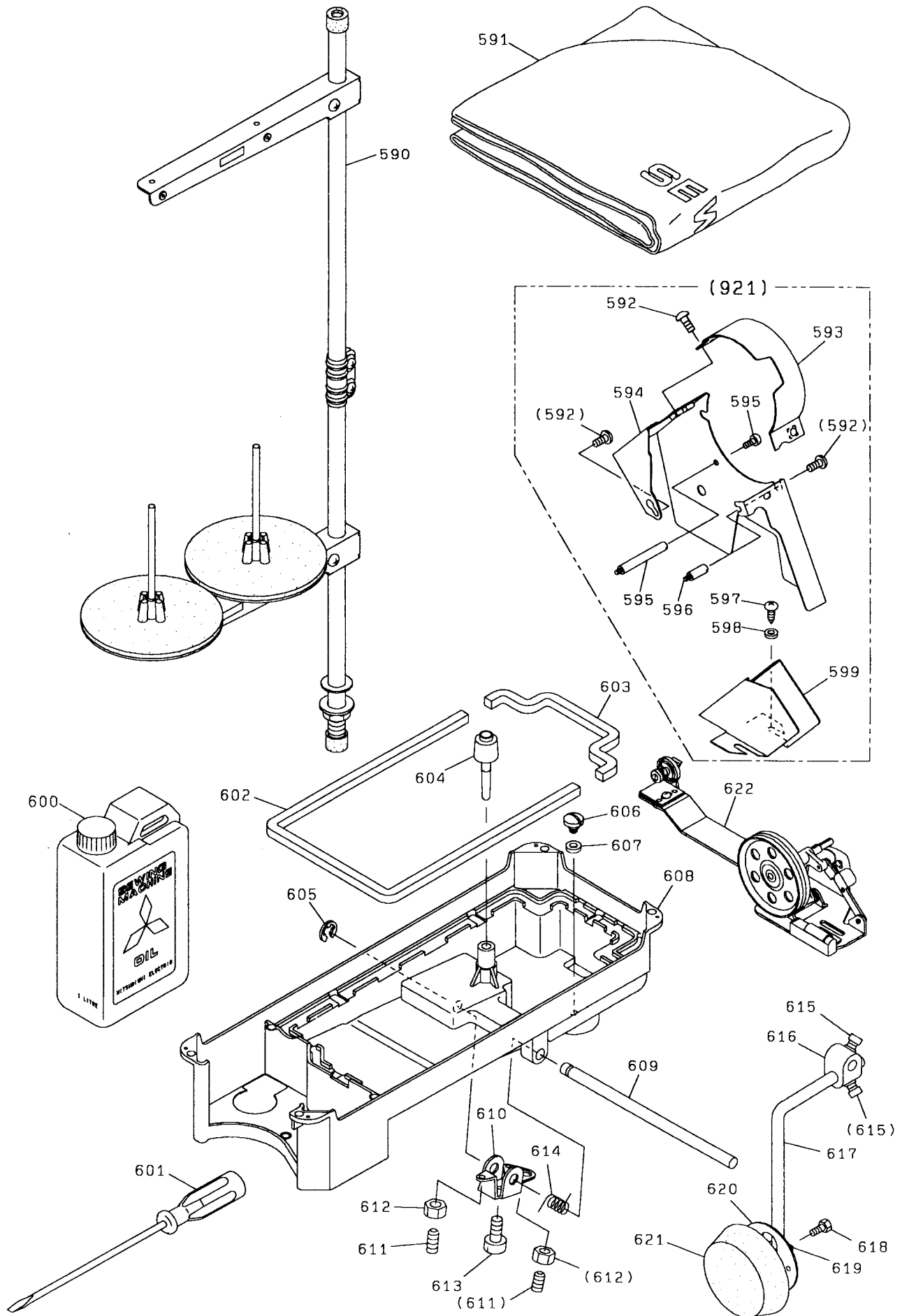
11 付属品 (I)
ACCESSORIES (I)



11 付属品 (I)
ACCESSORIES (I)

| Fig. No. | 部品コード Parts. No. | 部 品 名 | Description | 使用個数 Amt. Req. |
|----------|---------------------|-----------------|-------------------------------------|-------------------|
| 560 | M9 0701 099 | 集塵マグネット | Magnet block | 1 |
| 561 | MF 01A0 419 | 防振ゴム (大) | Head cushion (Large) | 2 |
| 562 | MF 01A0 419 | 防振ゴム (小) | Head cushion (Small) | 2 |
| 563 | MF 00A0 123 | ボビン | Bobbin | 4 |
| 564 | MF 70A0 128 | ミシン針 DBX1-2#14 | Needle DBX1-2#14 | 4 |
| 565 | MF 90A2 976 | 六角棒スパナ 2 | Hexagon socket screw key 2 | 1 |
| 566 | MS 02A2 976 | 六角棒スパナ 3 | Hexagon socket screw key 3 | 1 |
| 567 | MM 10A1 479 | スパナ | Spanner | 1 |
| 568 | MF 10A0 187 | 糸取りバネ | Thread take-up spring | 1 |
| 569 | M9 0401 041 | 丸木ネジ 4.5X20 | Wood screw for bobbin winder 4.5X20 | 2 |
| 570 | M9 0550 050 | 座金 5 | Washer for bobbin winder 5 | 2 |
| 571 | MB 02A0 608 | ネジ回シ (中) | Screw driver (Middle) | 1 |
| 572 | MB 02A1 608 | ネジ回シ (小) | Screw driver (Small) | 1 |
| 573 | MF 01A0 565 | 反射板調整具 | Speed command disc adjusting plate | 1 |
| 574 | MF 60A0 137 | 油差シ | Oil with oiler | 1 |
| * 575 | MH 00A0 476 | スペーサ (針板用) | Throat plate spacer | 1 |
| * 576 | MH 00A0 610 | ドライバー板 | Driver plate | 1 |
| * 577 | MF 95A0 476 | スペーサ (送り歯用) | Drop feed dog spacer | 1 |
| * 578 | MH 00A0 469 | ステッチ定規 (組) | Edge guide assy. | 1 |
| * 579 | MH 00A1 601 | ステッチ定規取付棒 (組) | Edge guide holder | 1 |
| 580 | M9 0909 003 | 丸平ネジ 9/64(40)X6 | Screw 9/64(40)X6 | 2 |
| * 581 | MH 00A2 601 | ステッチ定規取付棒 (組) | Edge guide holder | 1 |
| 582 | MF 01E0 418 | 頭部ヒンジ (組) | Hinge with rubber cushion | 2 |
| * 583 | MH 00A0 743 | 分離板 (組) | Separator assy. | 1 |
| 584 | M9 0915 003 | 丸平ネジ 9/64(40)X6 | Screw 9/64(40)X6 | 2 |
| * 585 | MH 00A1 469 | ステッチ定規 (組) | Edge guide assy. | 1 |

12 付属品 (II)
ACCESSORIES (II)

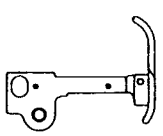


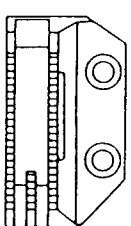
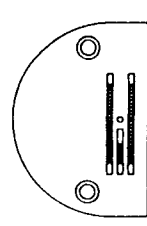
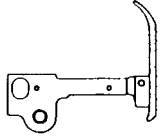


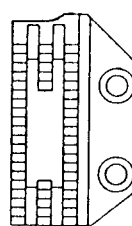
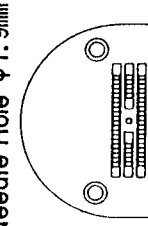
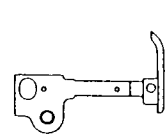


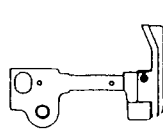


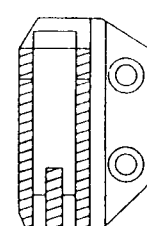
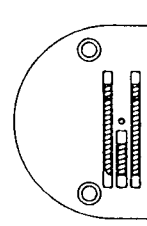


12 付属品 (II)
ACCESSORIES (II)

| Fig. No. | 部品コード Parts. No. | 部 品 名 | Description | 使用個数 Amt. Req. |
|----------|---------------------|-----------------------|----------------------------|----------------------|
| 590 | MF 40E0 193 | 糸立装置 (組) | Thread stand assy. | 1 |
| 591 | MF 60A0 734 | ビニールカバー | Vinyl cover | 1 |
| 592 | M9 1109 004 | 座金付ブラマイネジ 11/64(40)X8 | Screw 11/64(40)X8 | 6 |
| * 593 | MH 00A0 776 | ベルトカバー | Belt cover | 1 |
| * 594 | MH 00A1 776 | ベルトカバー | Belt cover | 1 |
| * 595 | MH 00A3 601 | 取付脚 11/64(40)X6 | Stud screw 11/64(40)X6 | 1 |
| * 596 | MH 00A4 601 | 取付脚 11/64(40)X6 | Stud screw 11/64(40)X6 | 1 |
| 597 | M9 0401 041 | 丸木ネジ 4.5X20 | Wood screw 4.5X20 | 2 |
| 598 | M9 0550 050 | 座金 5 | Washer 5 | 2 |
| * 599 | MH 00A2 776 | ベルトカバー | Belt cover | 1 |
| 600 | MF 10E0 149 | オイルタンク | Oil tank | 1 |
| 601 | MF 00A0 608 | ネジ回シ (大) | Screw driver (Large) | 1 |
| 602 | MF 20A3 691 | オイルパッキン 1 | Gasket for oil reservoir | 1 |
| 603 | MF 20A2 691 | オイルパッキン 2 | Gasket for oil reservoir | 1 |
| 604 | MF 70A0 578 | 膝上ゲビン | Knee lifter lifting rod | 1 |
| 605 | M9 0515 065 | E型止メ輪 9 | Retaining ring E-type 9 | 1 |
| 606 | M9 2002 002 | 平ネジ 5/16(28)X10 | Screw 5/16(28)X10 | 1 |
| 607 | M9 7001 052 | シールワッシャー 8 | Seal washer 8 | 1 |
| 608 | MF 01A1 139 | 油槽 | Oil reservoir | 1 |
| 609 | MG 75A0 723 | 膝上ゲ軸 | Knee lifter shaft | 1 |
| 610 | MF 20A1 724 | 膝上ゲレバー | Knee lifter | 1 |
| 611 | M9 1520 001 | 止メネジ 15/64(28)X27 | Set screw 15/64(28)X27 | 2 |
| 612 | M9 1501 045 | ナット 15/64(28) | Nut 15/64(28) | 2 |
| 613 | M9 1501 007 | 棒先丸平ネジ 15/64(28)X14.5 | Screw 15/64(28)X14.5 | 1 |
| 614 | MF 20A1 729 | ヒネリバネ | Coil spring | 1 |
| 615 | M9 2001 031 | 四角ボルト 5/16(18)X13 | Bolt 5/16(18)X13 | 2 |
| 616 | MF 40A0 784 | 膝継手 | Knee lifter coupling joint | 1 |
| 617 | MF 01A0 728 | 操作棒 | Knee lifter shaft | 1 |
| 618 | M9 1510 022 | ボルト 15/64(28)X8 | Bolt 15/64(28)X8 | 1 |
| 619 | MF 40A0 477 | ストッパー | Knee lifter plate stopper | 1 |
| 620 | MF 40A0 737 | 膝当て板 | Knee lifter plate | 1 |
| 621 | MF 40A1 737 | 膝当て | Knee lifter cover | 1 |
| 622 | MF 01E0 193 | 糸巻装置 (組) | Bobbin winder assy. | 1 |
| * 921 | MH 00E0 776 | ベルトカバーセット | Belt cover assy. | 1 |

*印は、LG2-3370 専用部品を示します。

13 ゲージ
GAUGES

| ゲージタイプ Gauge Set Type | 押え金 Presser Foot | 上送り歯 Top Feed Dog | 送り歯 Drop Feed Dog | 針板 Throat Plate | 用途 Usage |
|-----------------------------|----------------------------------------------------------------------------------------------------|------------------------------------------------------------------------------------------------------------------------------------------------------------------------------------------------------------------------|---------------------------------------------------------------------------------------------------------------|-----------------------------------------------------------------------------------------------------------------------------------|------------------------------------------------------------------------------------------------------------------------------------------------------------------------------------------------------------------------|
| GOM |  MH00B1105 | (かき込み型) (Pusher type)   MH00B1294 |  (p=1.15mm) MH00B1104 | 針穴 φ1.9mm Needle Hole φ1.9mm  MH00B1101 | 標準仕様 いせ込縫い用 中厚素材用 Standard type for ruf- fling prevention of un- even material feed. |
| |  MH00B2105 |  (先引き型) (Puller type)  MH00B3294 |  (p=1.15mm) MH00B2104 | 針穴 φ1.9mm Needle Hole φ1.9mm  MH00B2101 | 伸縮性素材、ブラッシン グ素材用 いせ込縫い用 Suited for stretchy material and plushy materials. |
| SOM |  MH00B3105 |  (先引き型) (Puller type)  MH00B3294 | (p=1.15mm) | 針穴 φ1.6mm Needle Hole φ1.6mm | スカート、スラックスの ベルトステッチ他、各種 ステッチ縫い用 Various types of top- stitching, including top- stitching of skirt and slacks belts. (Stitch width : 2mm) |
| |  MH00B4105 |  (先引き型) (Puller type)  MH00B4294 |  MH00B3104 |  MH00B3101 | ワイシャツ、ブラウス、 ドレス、ジャケット等の コバステッチ伏せ縫い用 (ステッチ幅1.5mm右段押 え) Edge welt seam top- stitching of men's shirts, blouses, dres- ses, jackets, etc. (Stitch width : 1.5mm right compensating foot) |