

SINGER
111W106

Form 2676w

(940)

Printed in U. S. A.

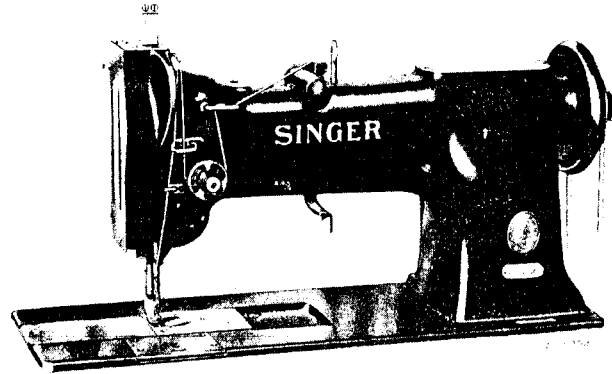
SINGER

III w 106

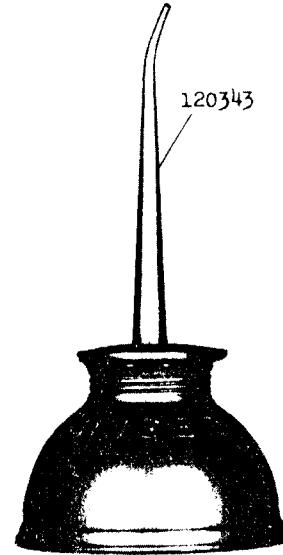


THE SINGER MANUFACTURING COMPANY

13067 - 1/2



120342



225498



225497



41400

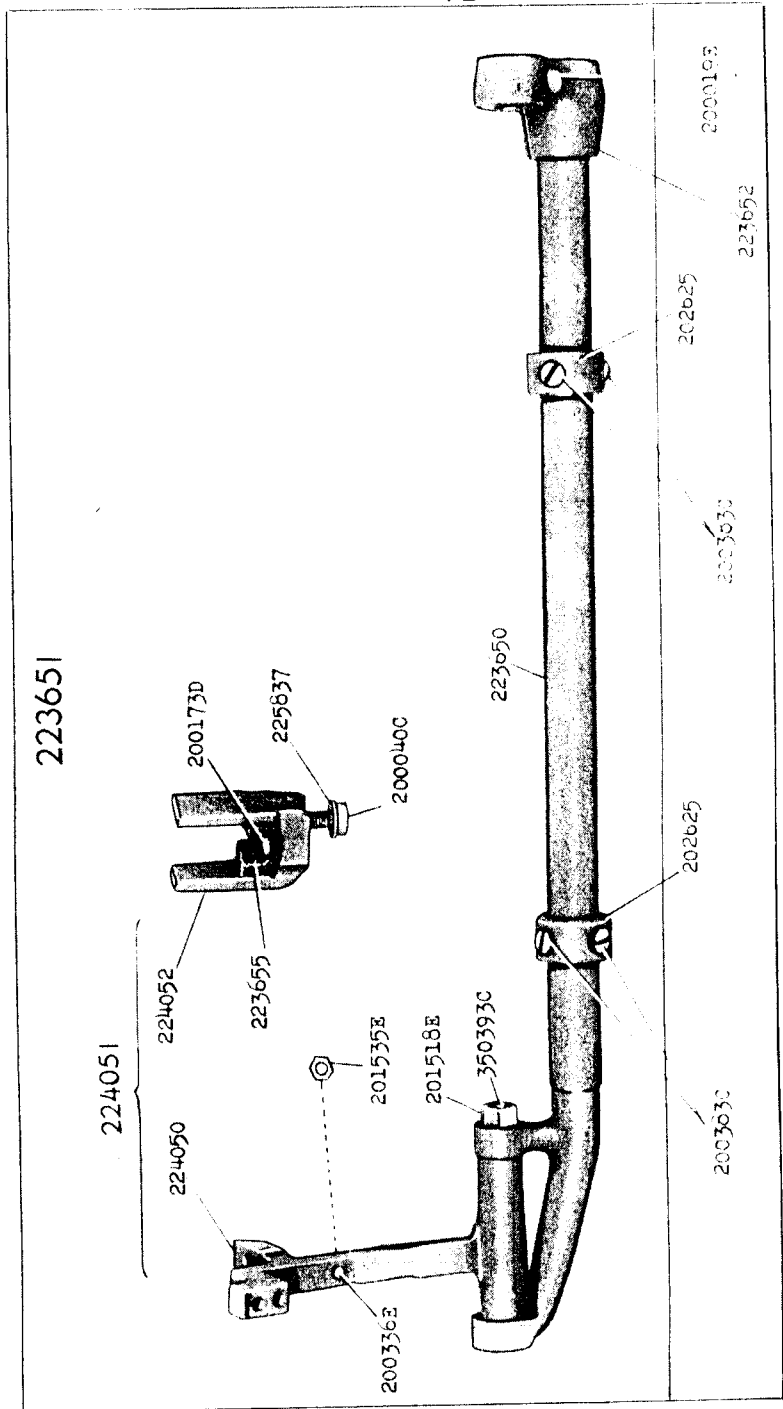


225554



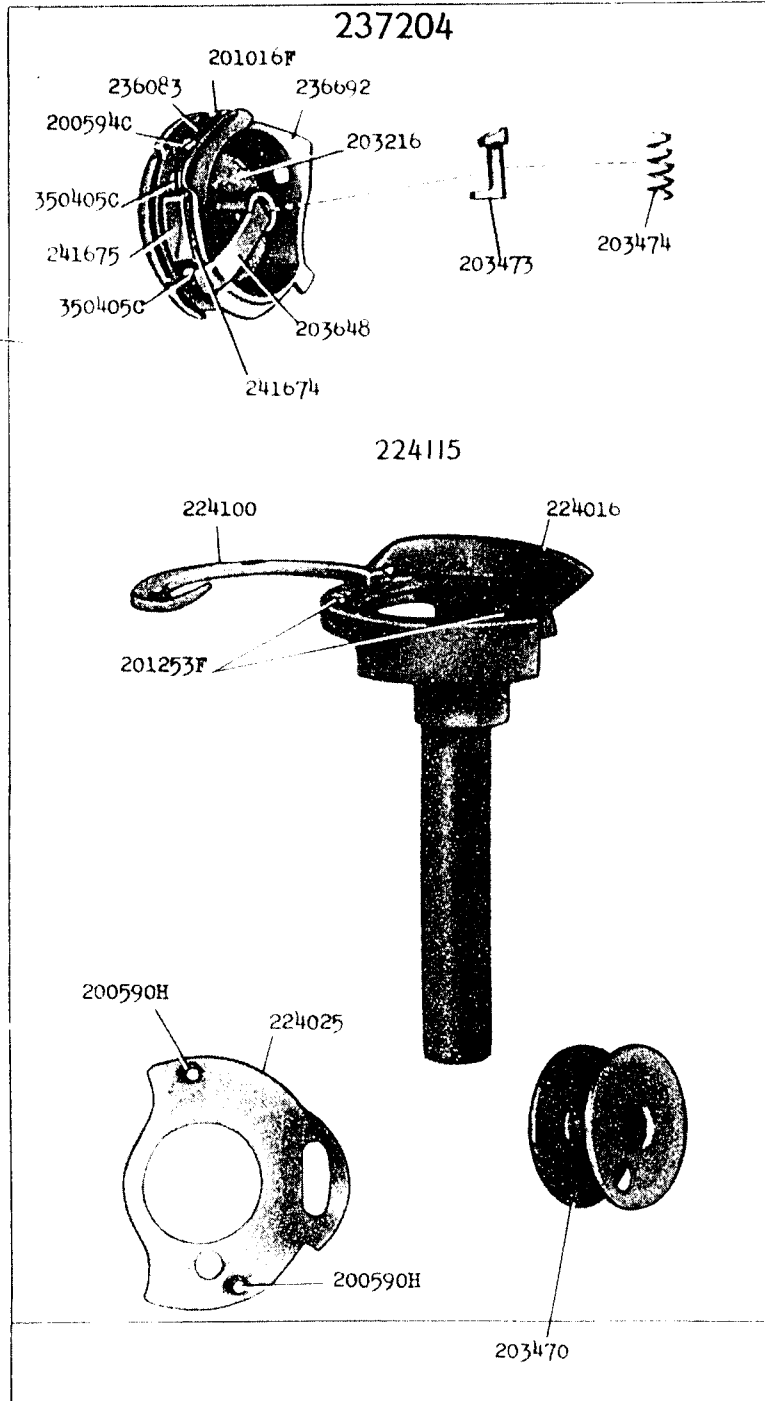
Copyright, U. S. A., 1934, 1939 and 1940
by The Singer Manufacturing Co.
All Rights Reserved for all Countries

16245 - 1/2



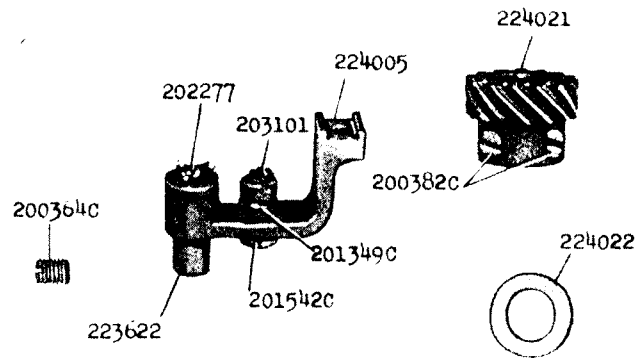
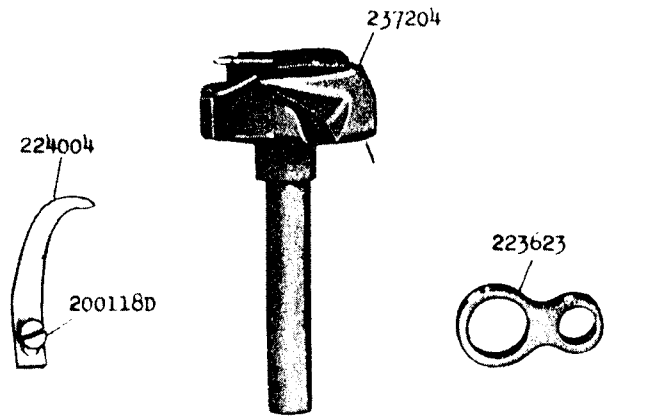
16247

237204

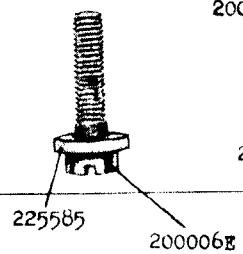
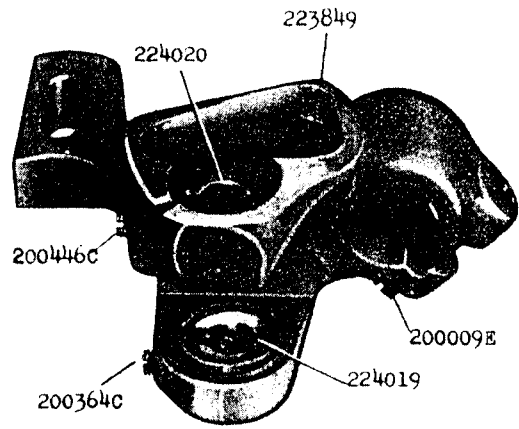


16248 - 2/3

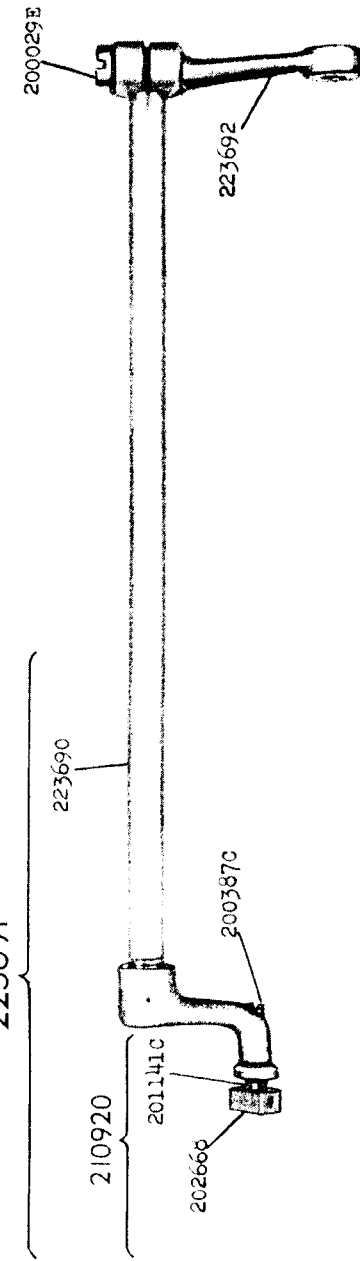
237193



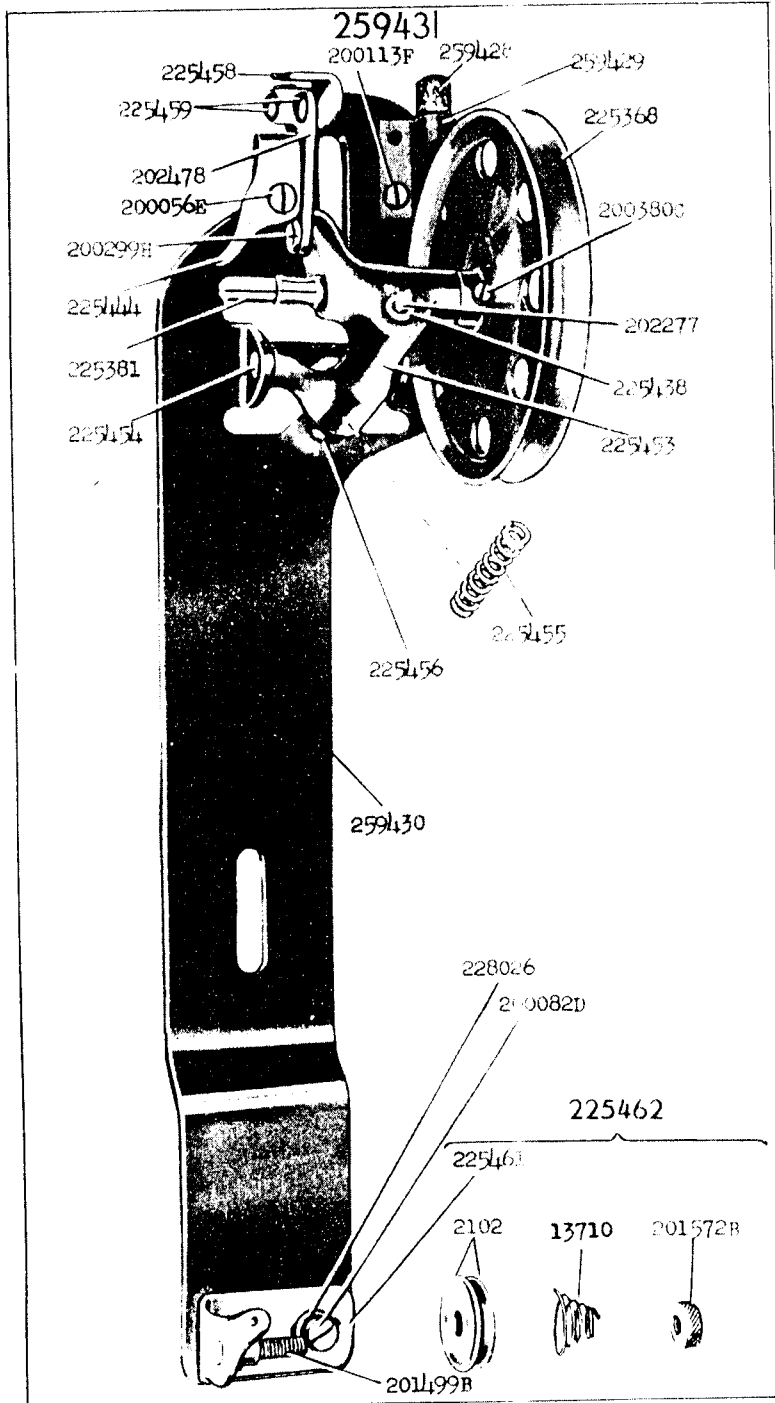
224023



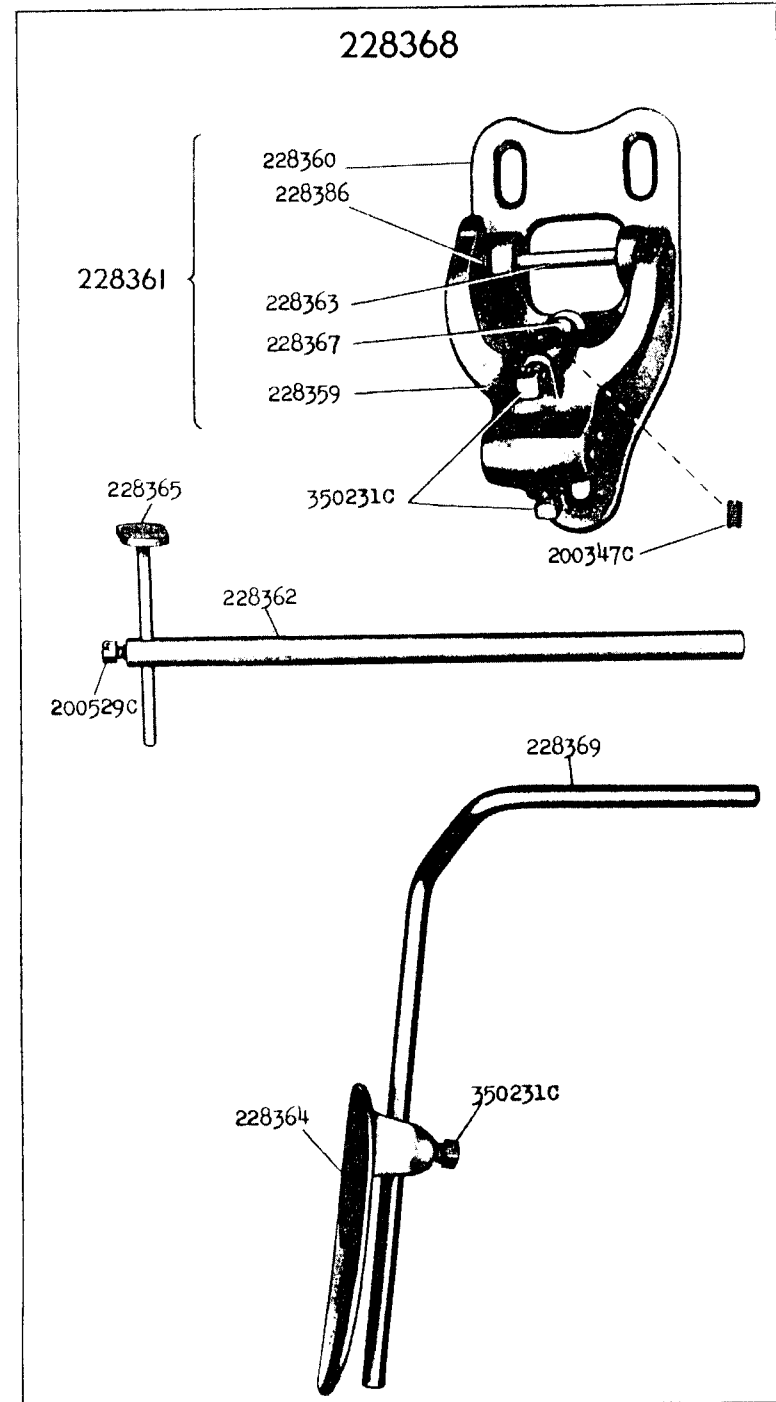
16609 - 1/2



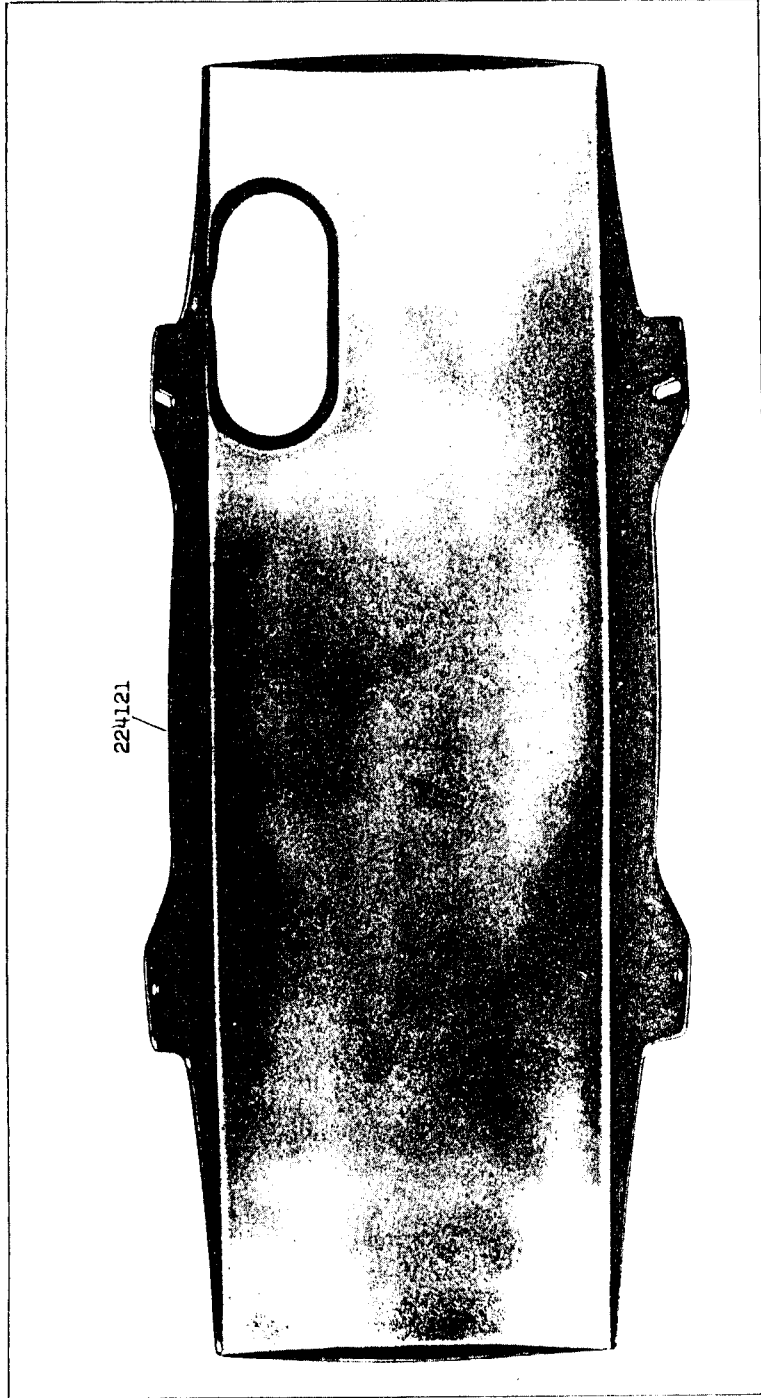
16615 - 1/2



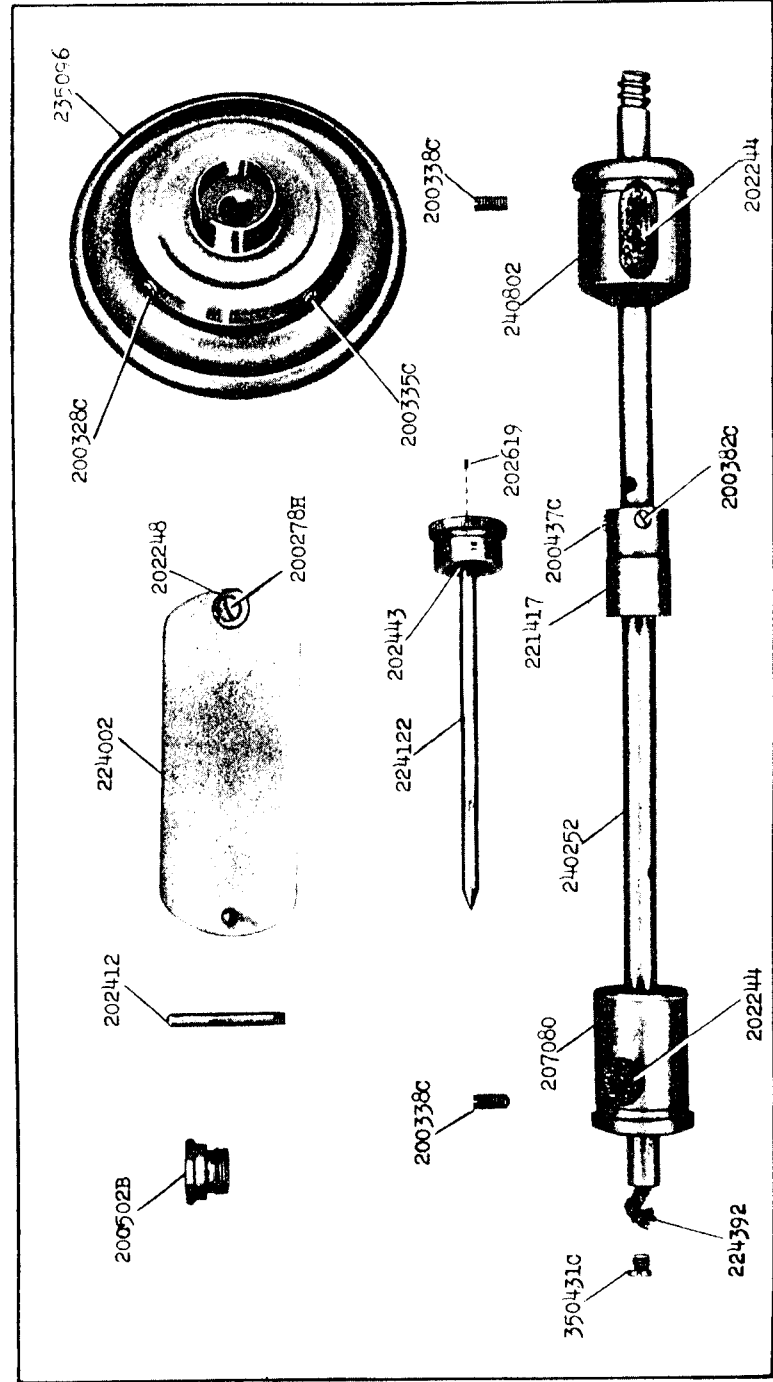
16643 - 3/8



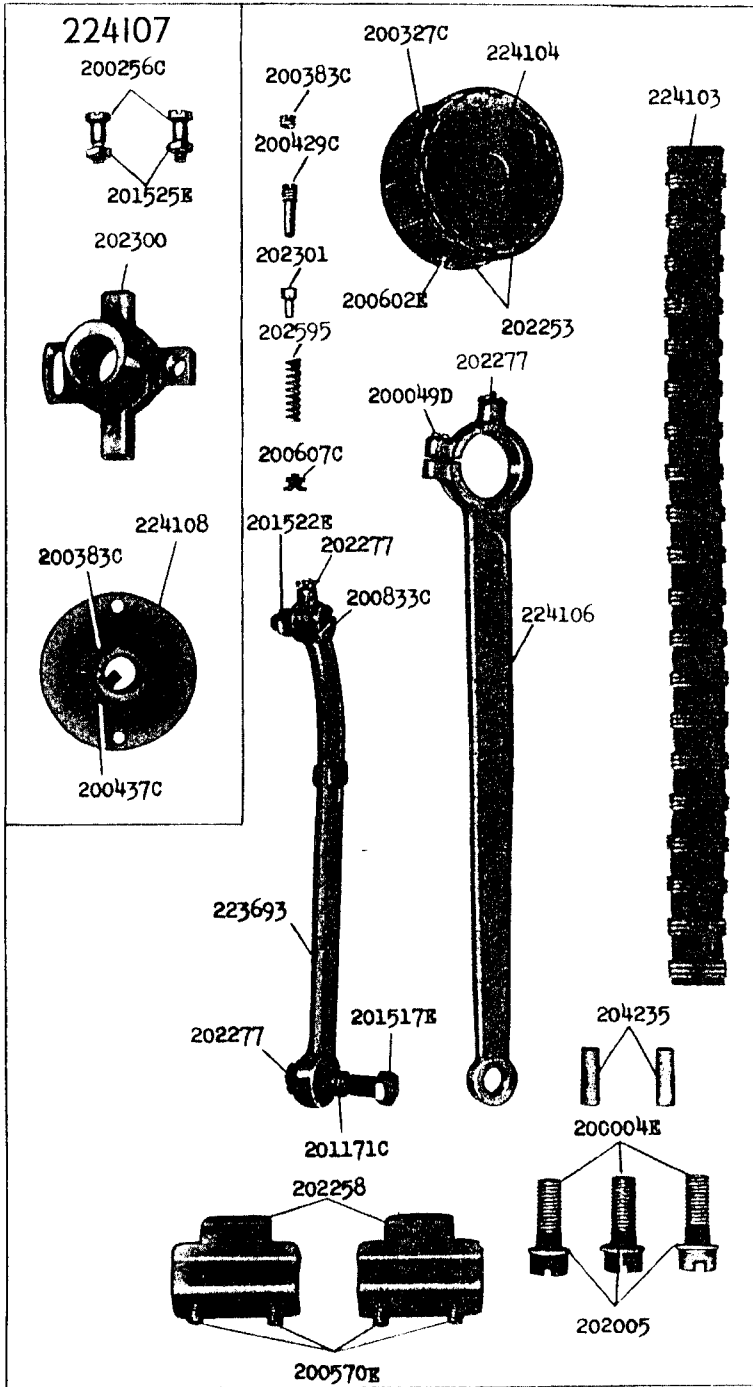
16644 - 1/3



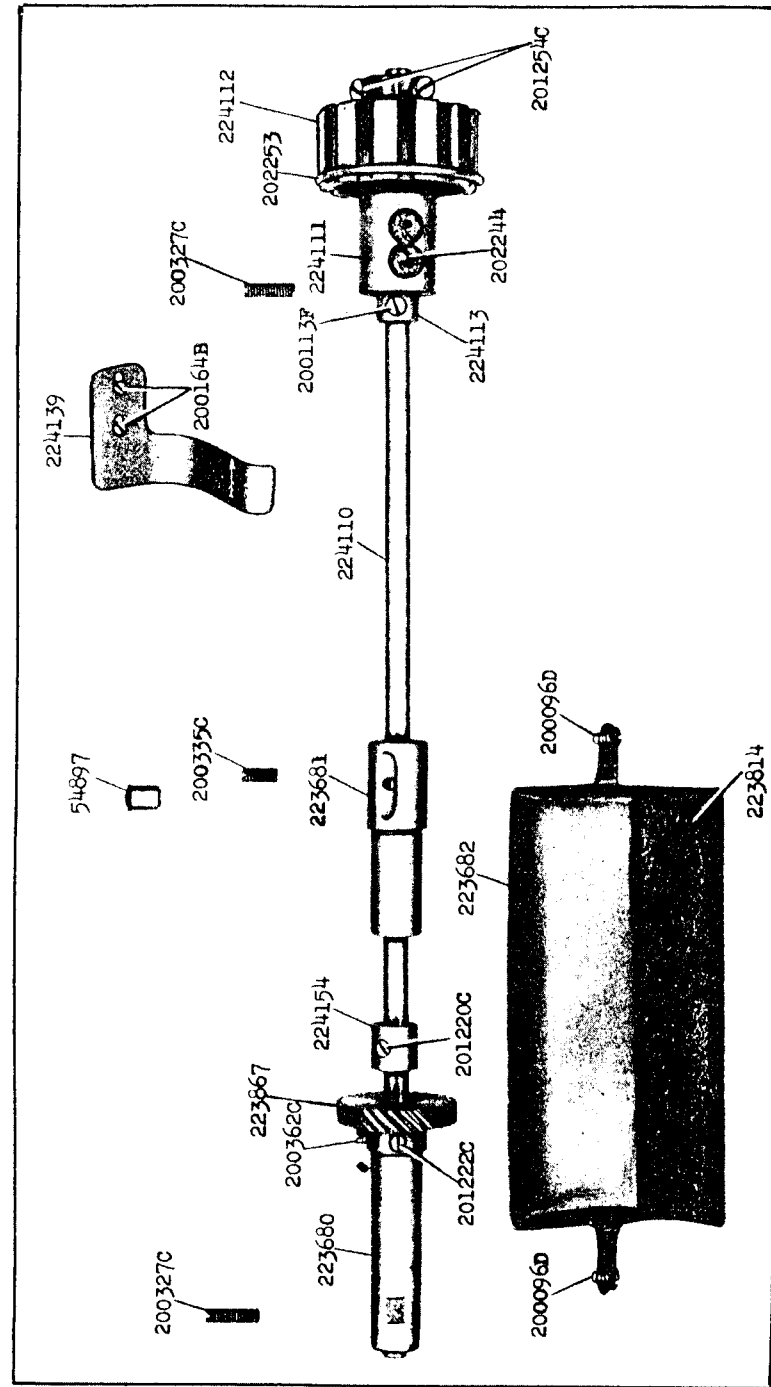
16645 - 3/8



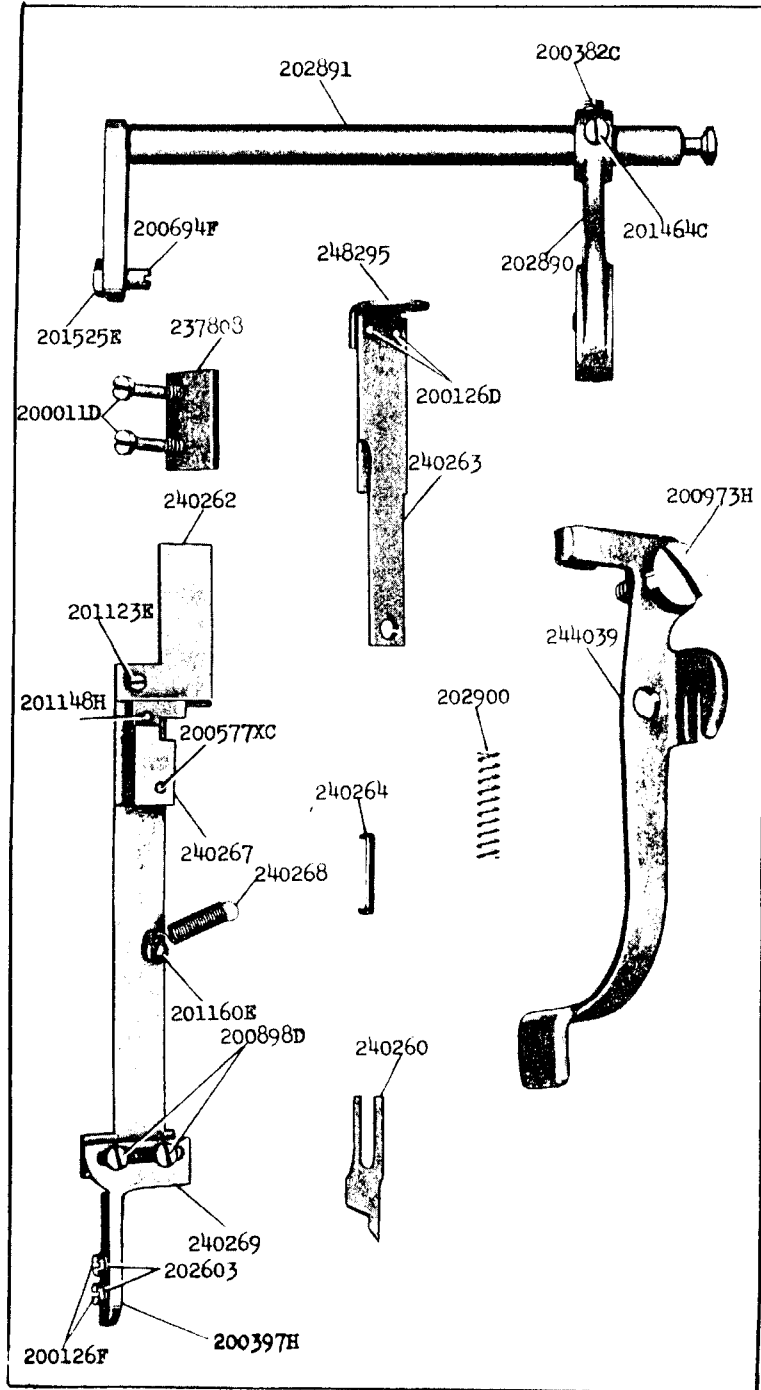
16646 - 3/8



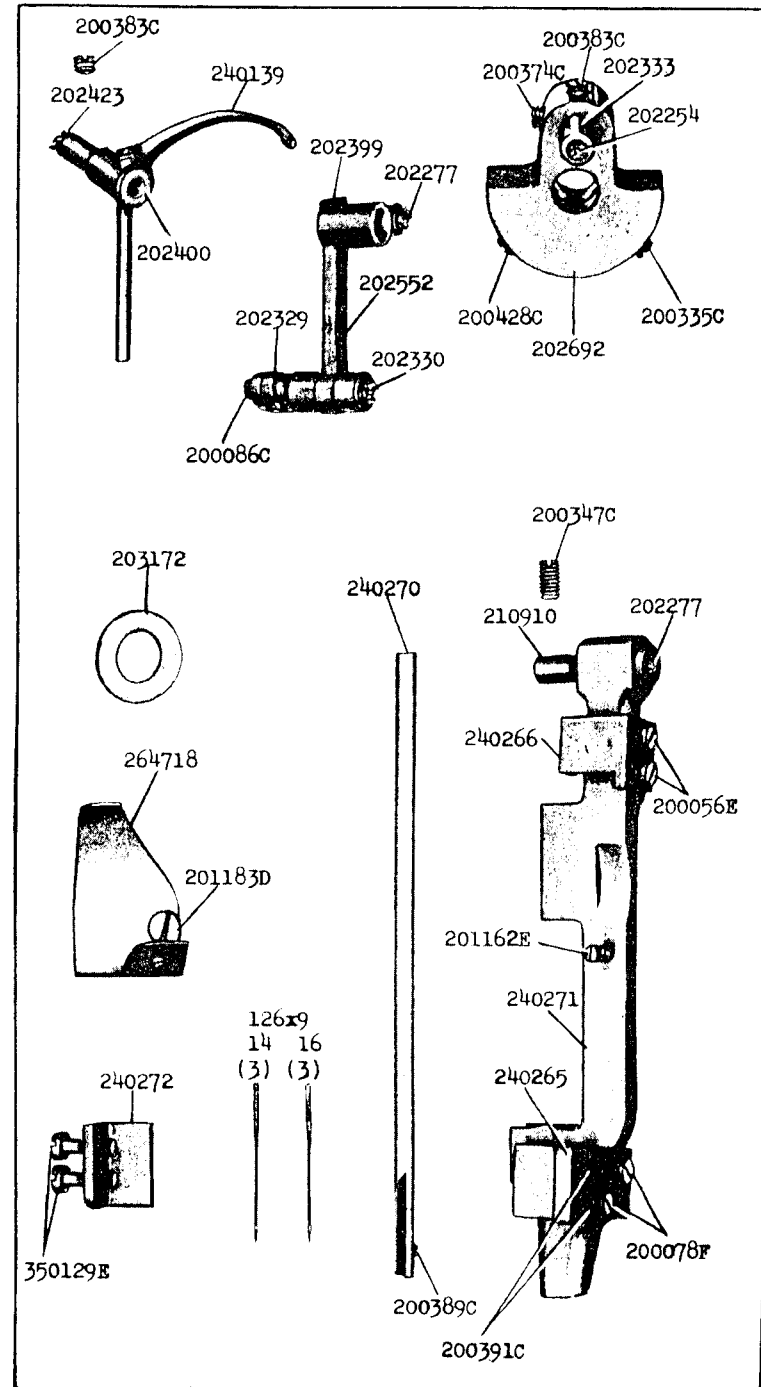
16647 - 3/8



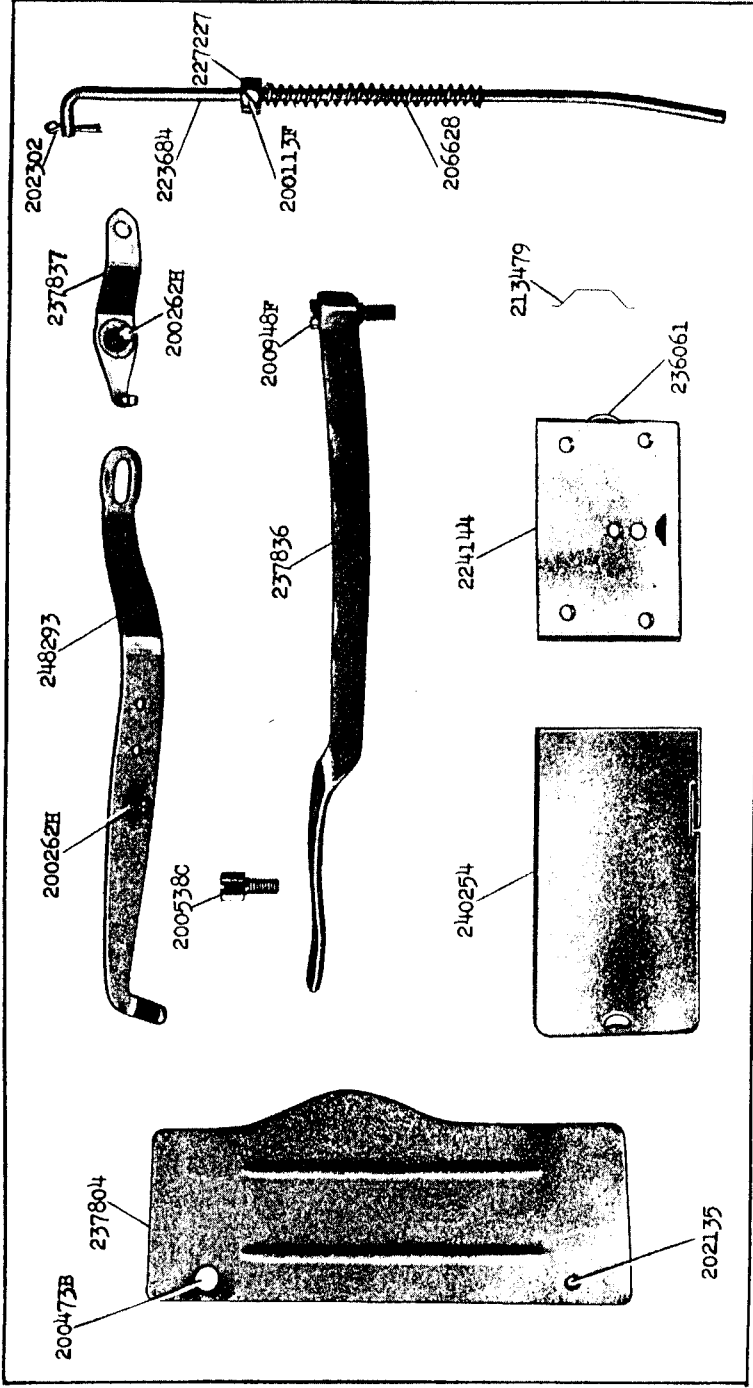
16648 - 1/2



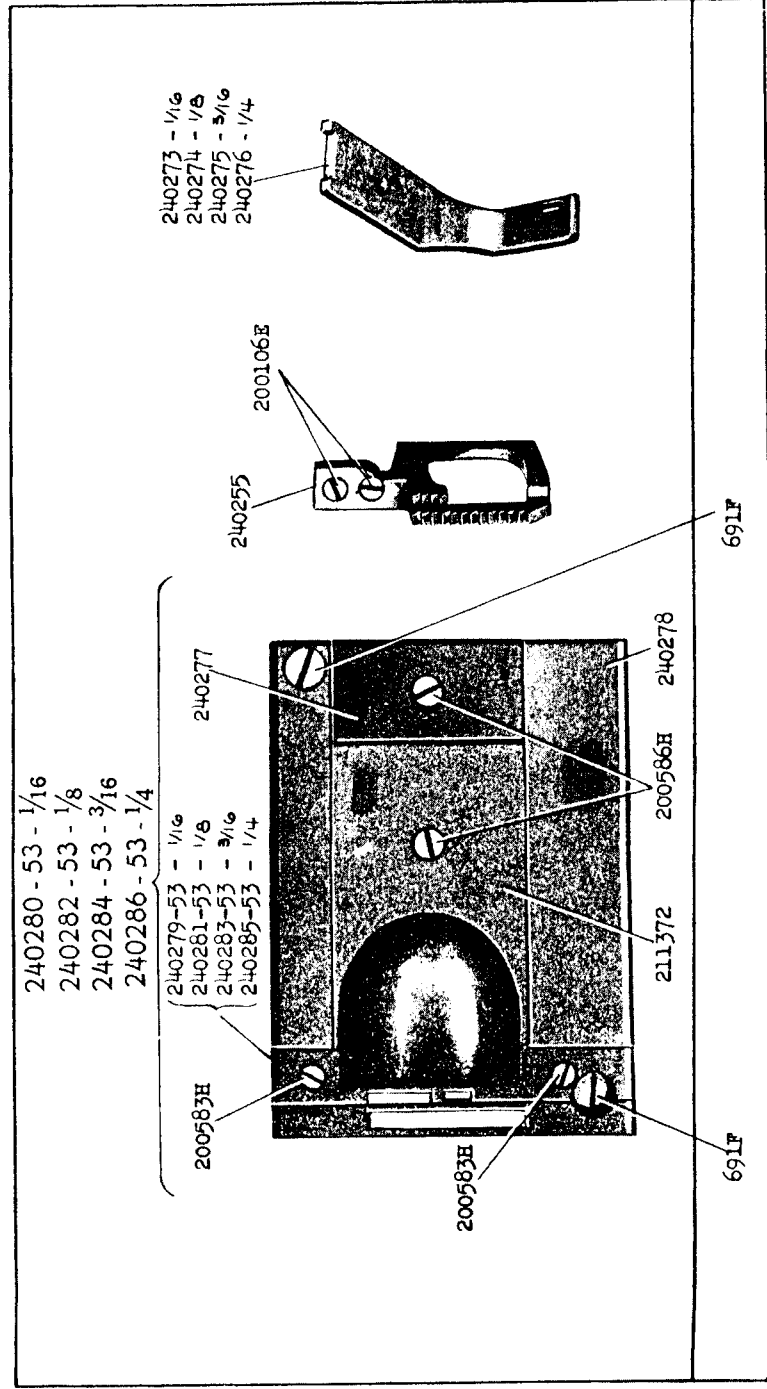
16649 - 1/2



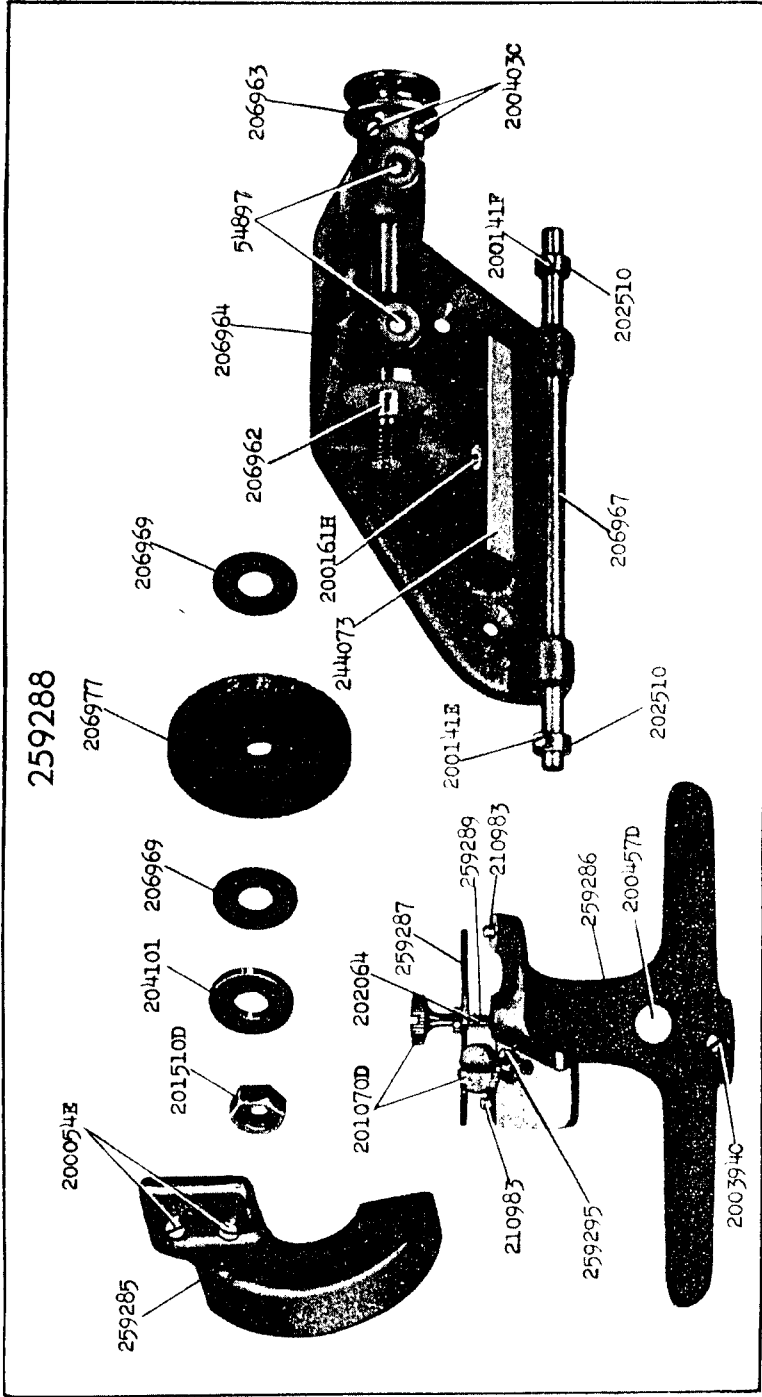
16652 - 3/8



16653 - 3/4



16660 - 1/2



Z 676 w 1 A 2