

**PFAFF**

**Spare Parts Catalogue**

**PFAFF 3335**

**G. M. PFAFF AG KAISERSLAUTERN BRANCH**

## Preface

This parts catalogue contains the front parts, arm parts, cylinder bed parts, machine base parts and accessory parts of the Pfaff 3335-0-1 as well as the organizational parts of Pfaff machines 3335-0-5, 3335-0-317/1 and 3335-300. Also included are two tables of organizational parts for Pfaff machines 3335-0-317/1 through /32 and 3335-300 through -309 as well as a list of obsolete parts.

Parts which differ according to the model (A, B or C), such as take-up lever and needle bar, are compiled in a table on page 4.

Wherever feasible, the individual parts which make up an assembly have been grouped on the illustration pages as they are arranged in the machine.

All underlined part numbers signify assemblies which are made up of several component parts.

An asterisk preceding the part number indicates that this part is available in an obsolete version also. Whenever this part needs replacement in an older machine, the obsolete version must be reordered.

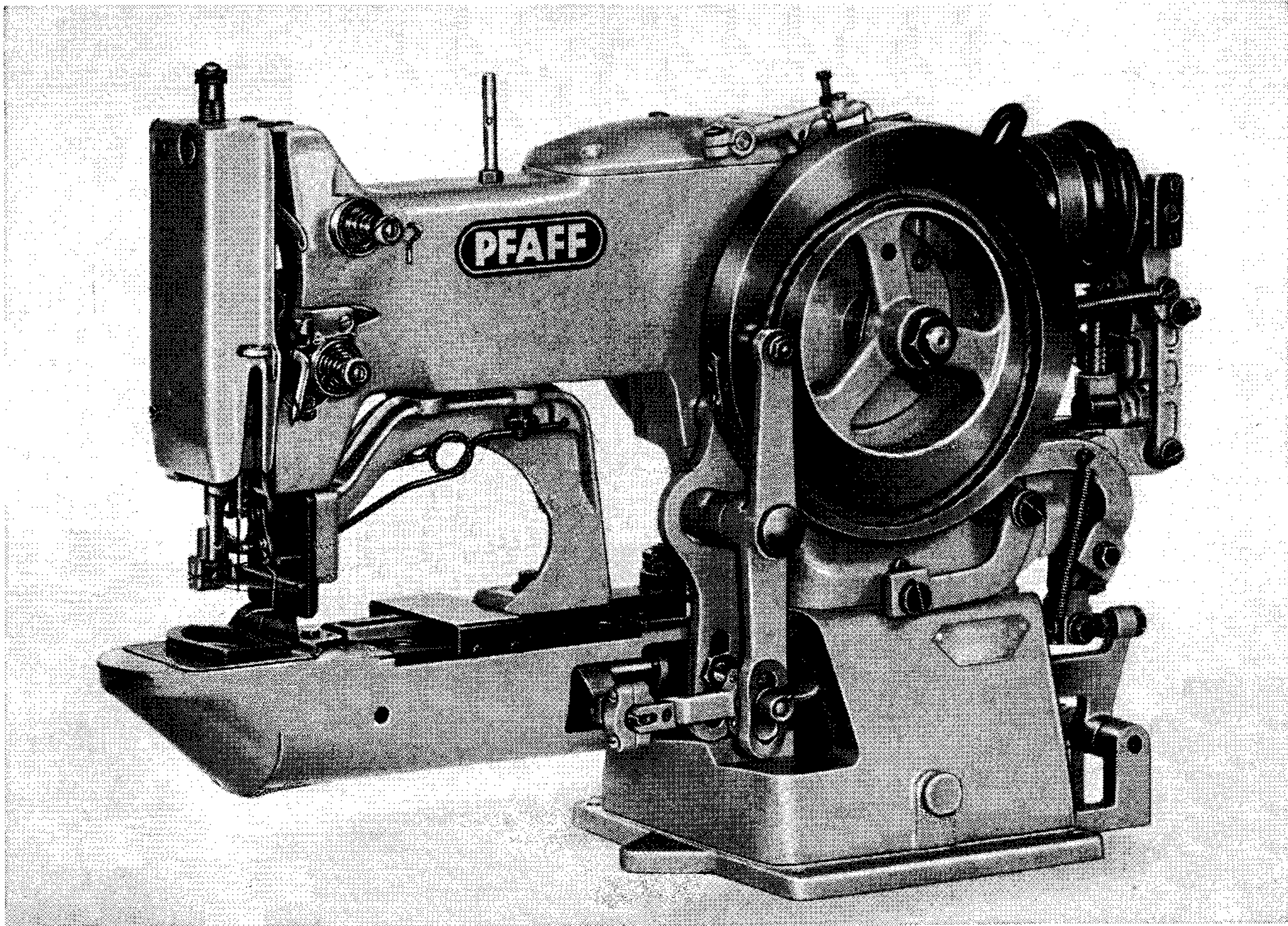
A numerical index of all parts listed is included on the last pages of this catalogue.

Part number changes will be published on correction sheets and disseminated with our circulars.

Subject to alterations in design.

August 1964

**G. M. PFAFF AG**  
**Kaiserslautern Branch**



### **Automatic Bartackers**

**PFAFF 3335-0-1**

Automatic lockstitch bartacker fitted with link take-up, central bobbin shuttle, tack length and width adjustment, positive thread nipper, needle and bobbin thread trimmer, work clamp lifter locking device, and automatic stop motion.

**PFAFF 3335-0-5**

Same as Pfaff 3335-0-1, but fitted with special work clamp.

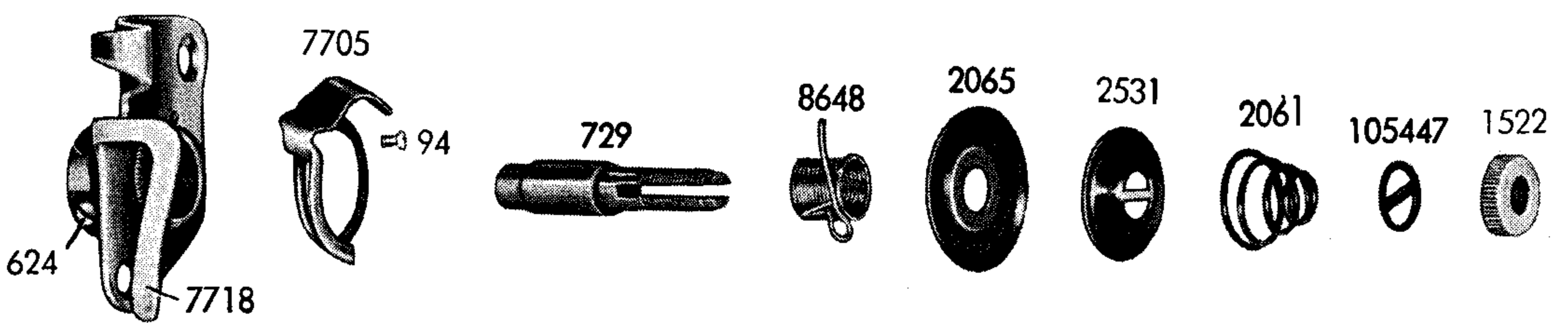
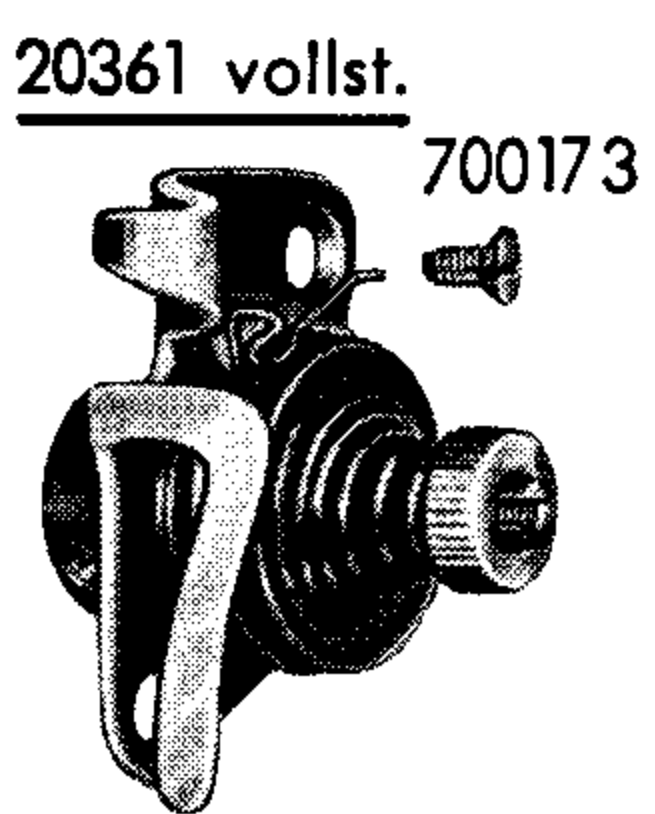
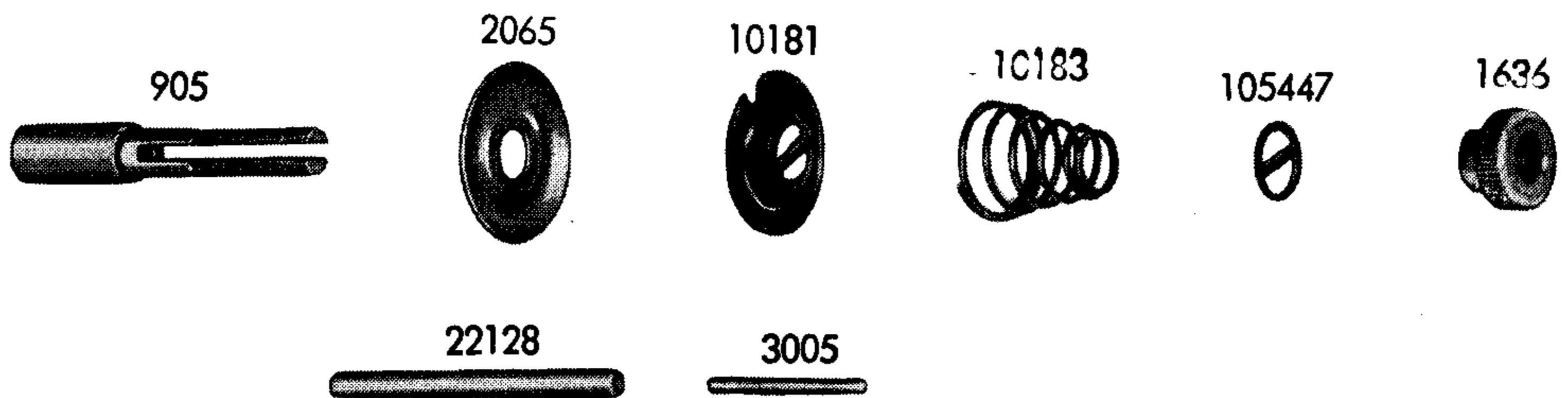
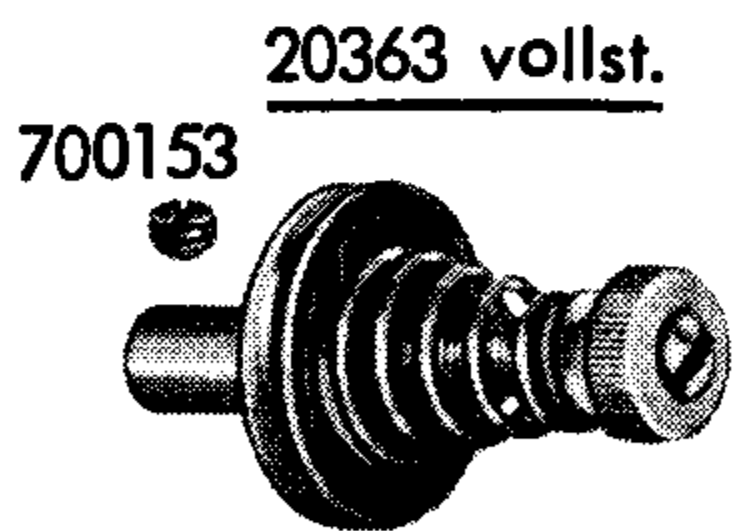
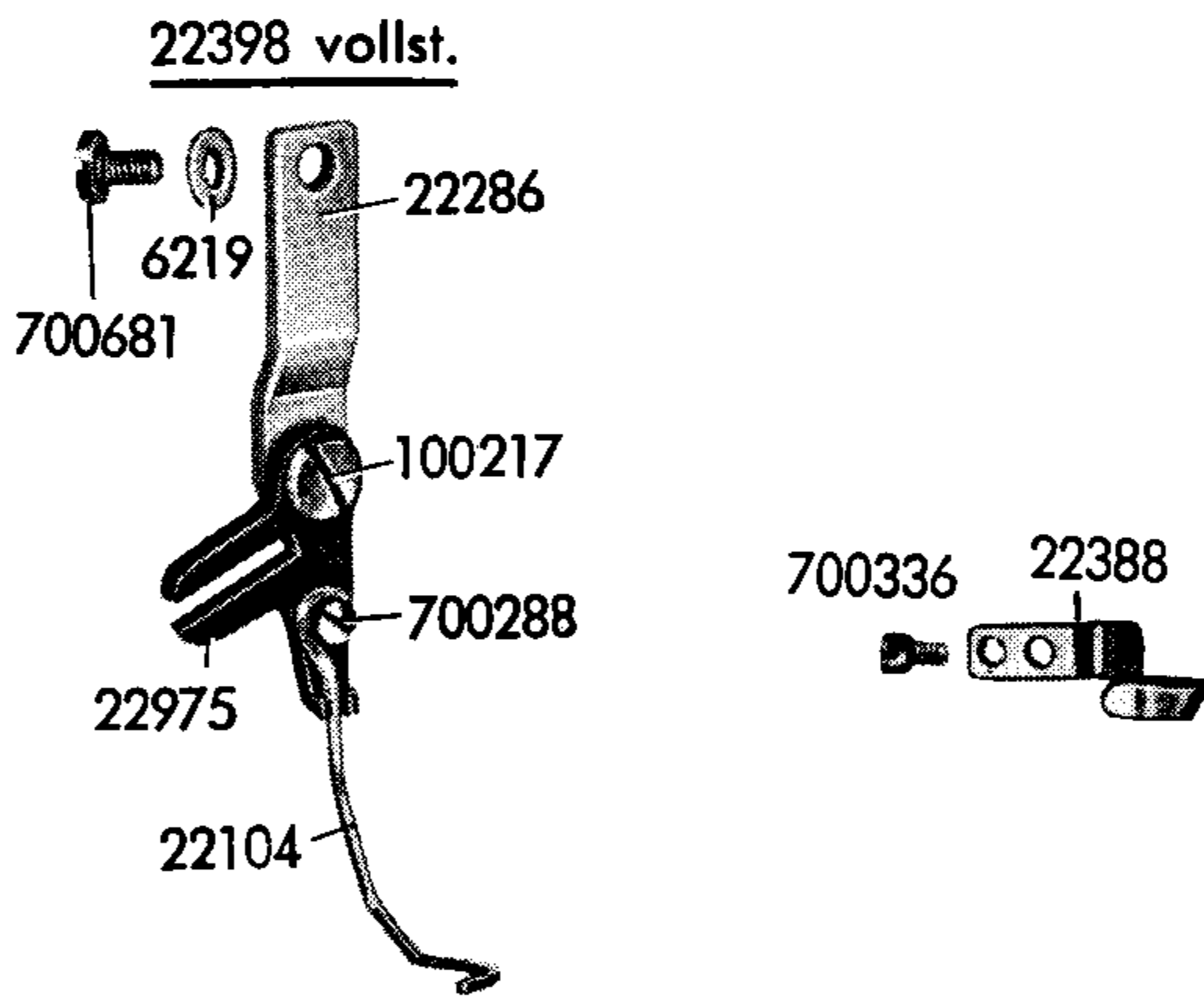
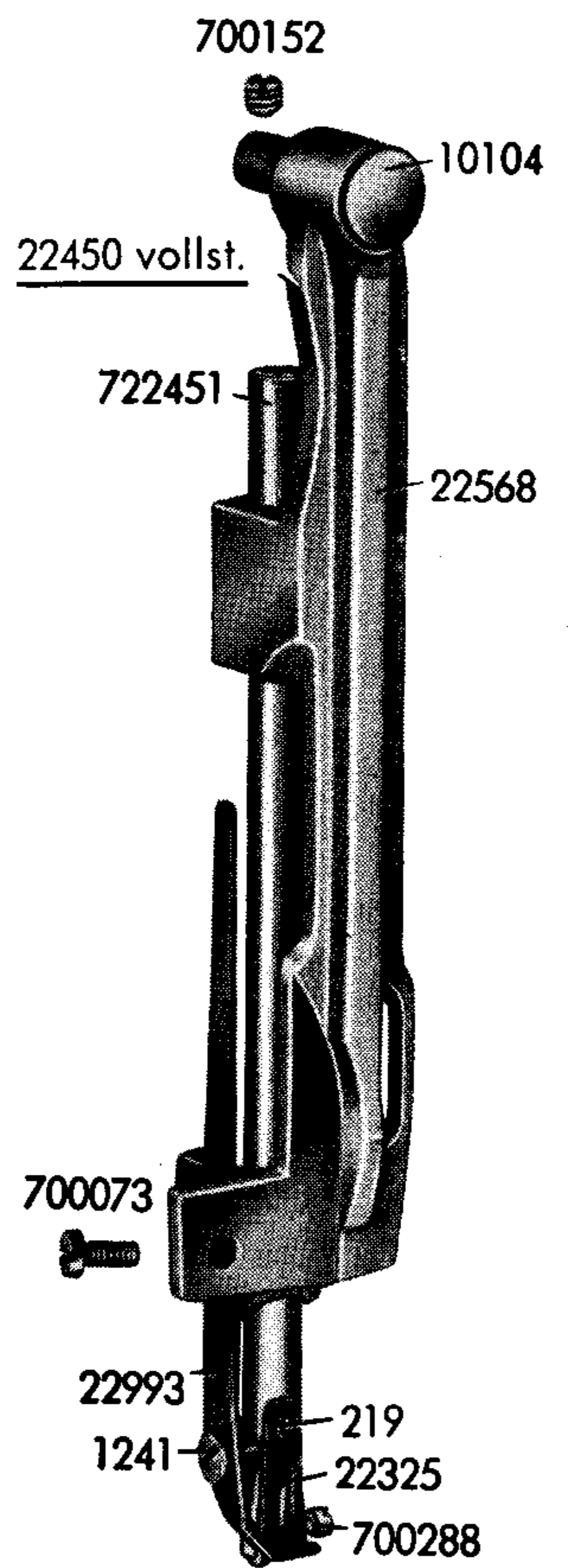
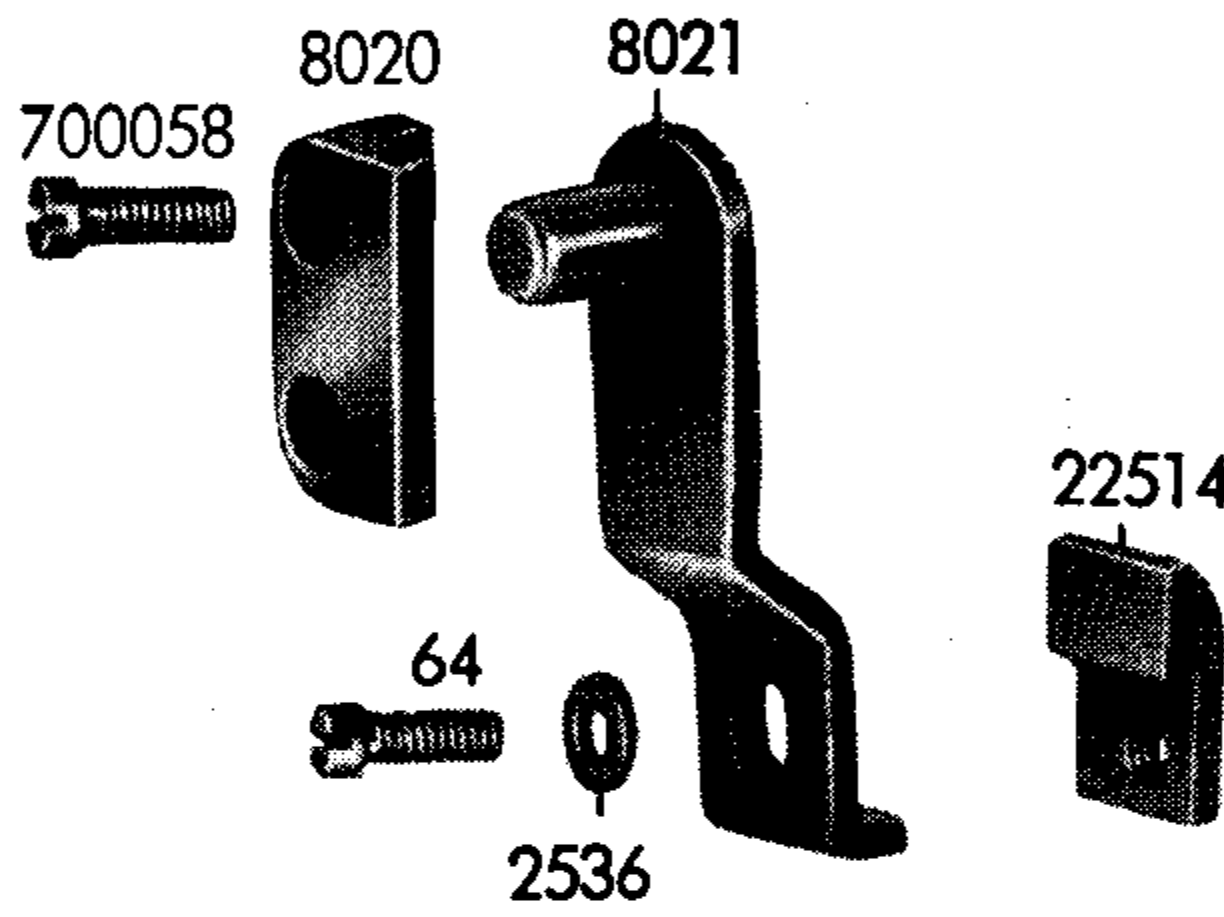
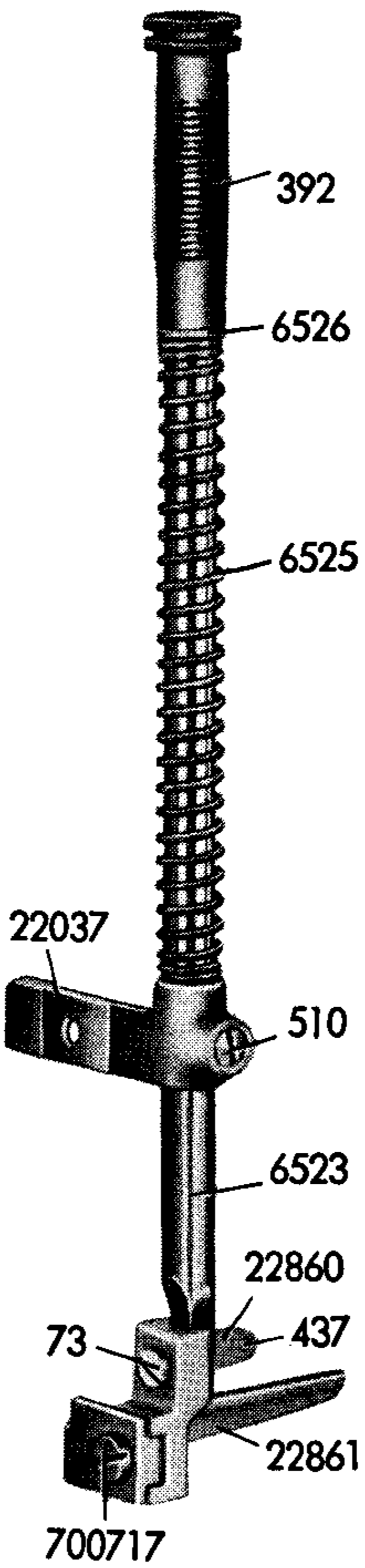
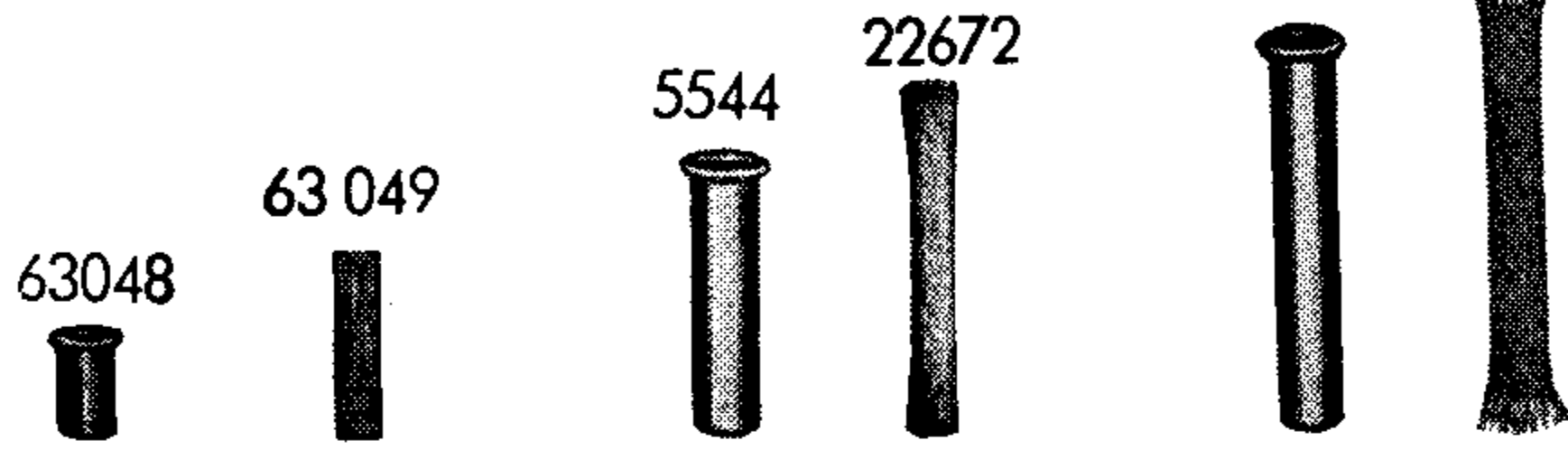
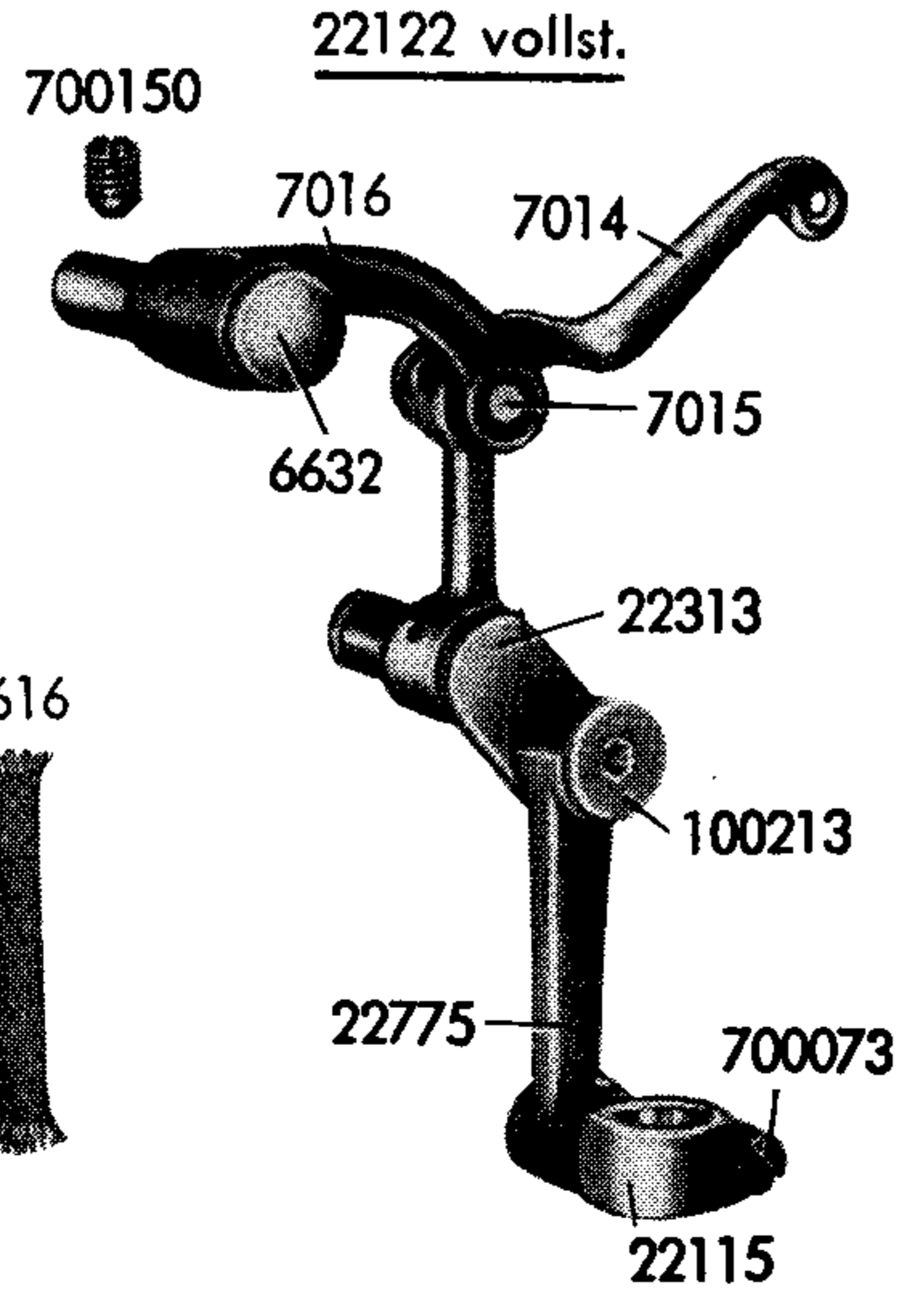
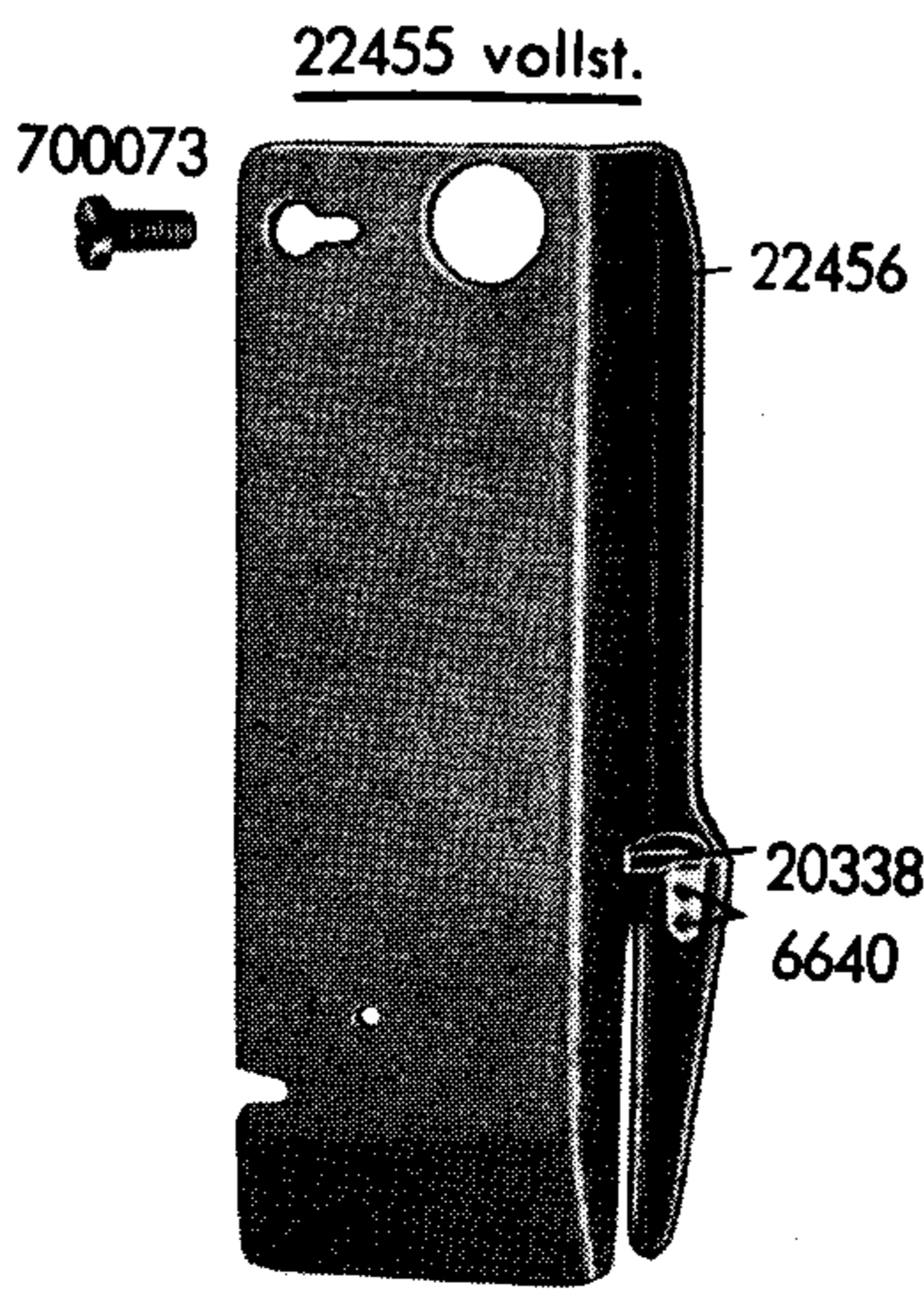
**PFAFF 3335-0-317**

Same as Pfaff 3335-0-1, but fitted with special work clamp and larger needle plate.

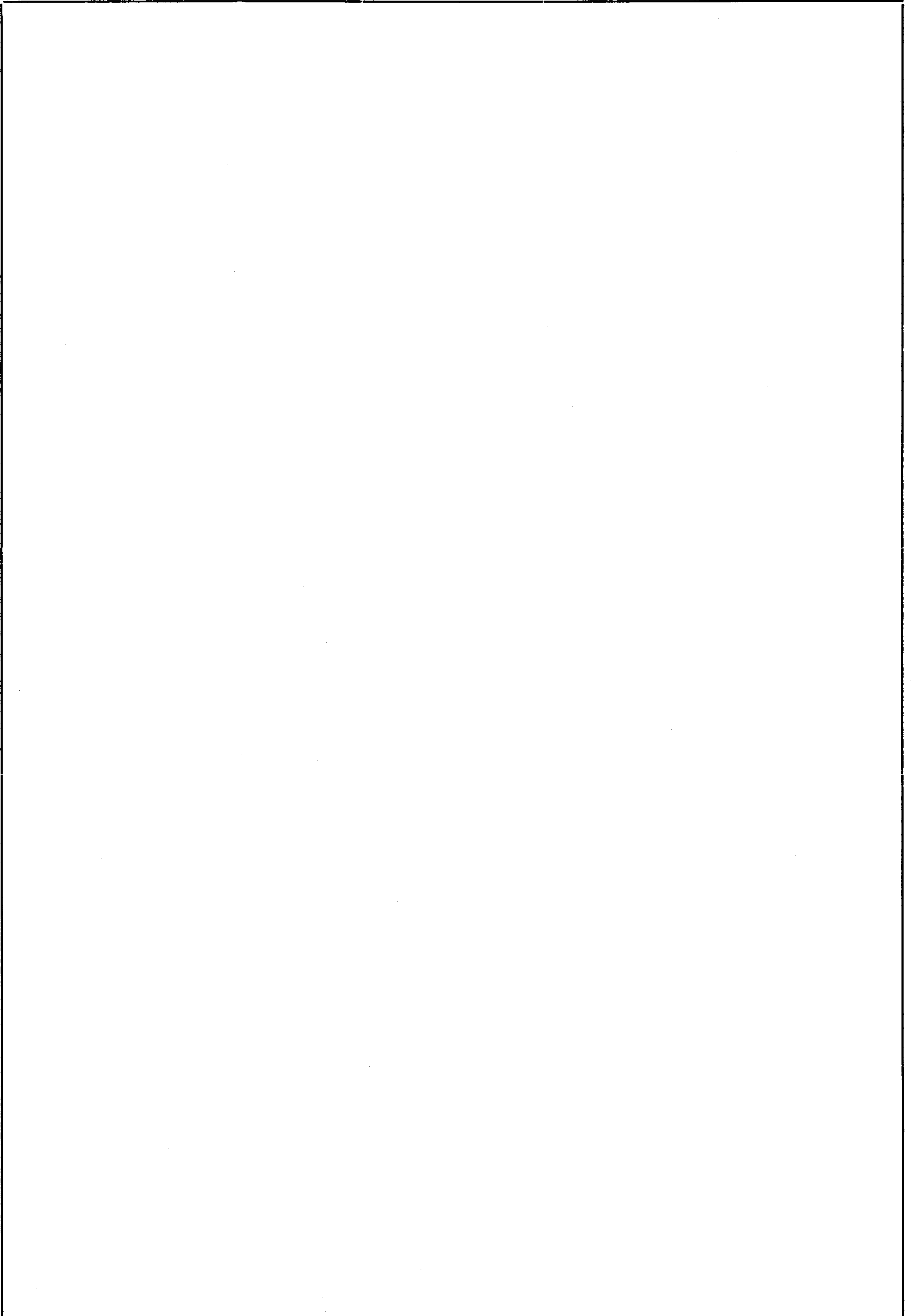
**Component Parts of Pfaff Machines 3335 and 3335-0 in Models A, B and C**

Part Name	Model		
	A	B	C
Needle bar crank	22312	22312	22539
Take-up lever, complete	22122	22122	22542
Take-up lever link	7016	7016	22776
Take-up crank	22313	22313	22541
Needle bar frame, complete	22450	22450	22569
Needle bar	722451	722451	722567
Needle plate, complete	24557 ----- 48666 (for -317)	124347	124348
Needle plate	24515 ----- 48668 (for -317)	24515	24515
Needle plate insert	22111	65543	65546

# Front Parts



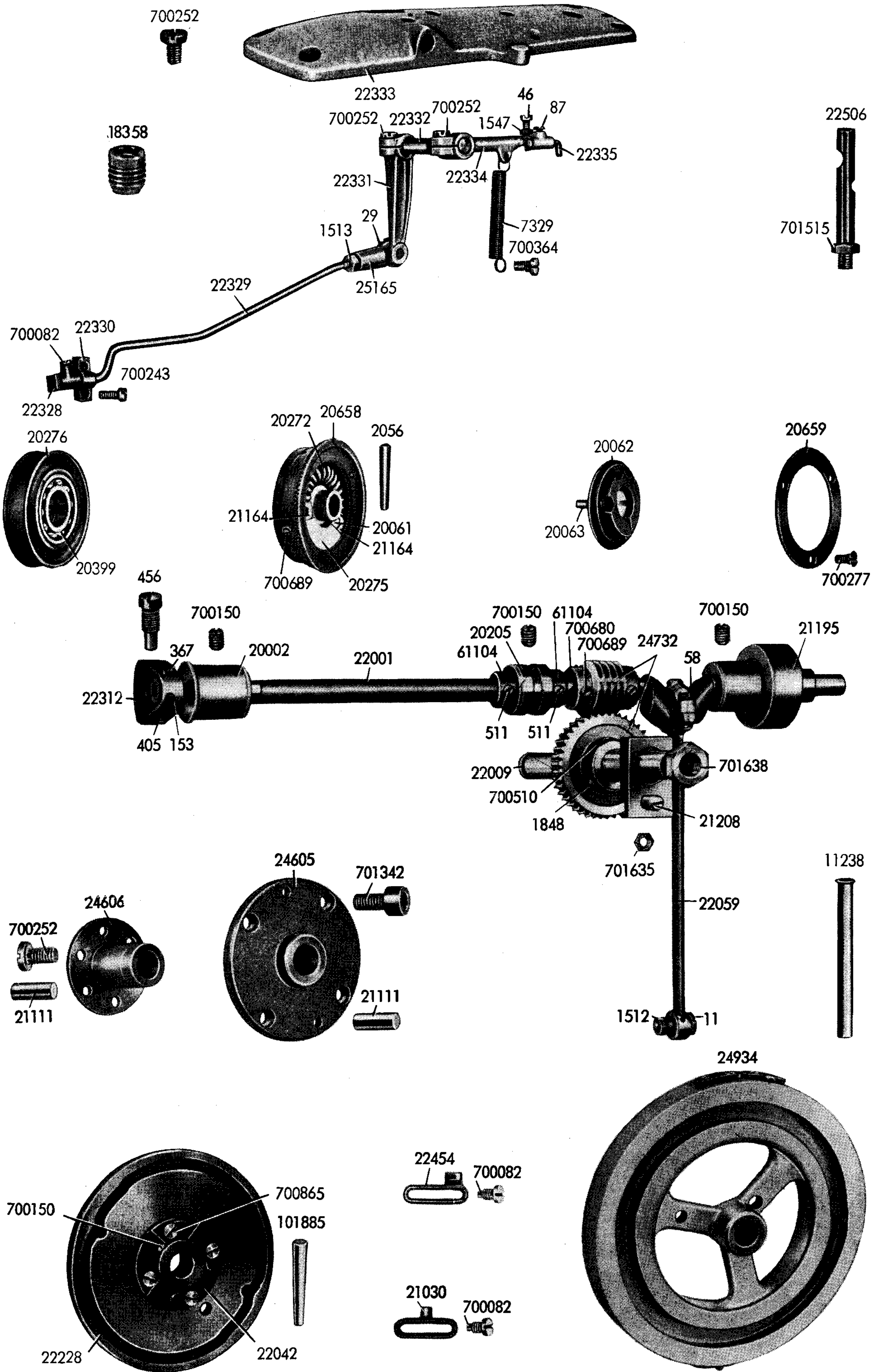
- 700058** Fastening screw for No. 8020
- 64** Fastening screw for Nos. 8021; 22514
- 73** Fastening screw for No. 22860
- 700073** Fastening screw for Nos. 22455; 22568 and binding screw for No. 22115
- 94** Fastening screw for No. 7705
- 700150** Fastening screw for No. 6632
- 700152** Fastening screw for No. 10104
- 700153** Fastening screw for No. 20363
- 700173** Fastening screw for No. 20361
- 219** Fastening screw for No. 22325
- 700288** Fastening screw for No. 22104 and needle set screw
- 700336** Fastening screw for No. 22388
- 392** Regulating screw for No. 6525
- 437** Driving screw for No. 22860
- 510** Fastening screw for No. 22037
- 624** Fastening screw for No. 729
- 700681** Fastening screw for No. 22286
- 700717** Fastening screw for No. 22861
- 729** Tension stud for No. 20361
- 905** Tension stud for No. 20363
- 1241** Hinge screw for No. 22993
- 1522** Nut for No. 729
- 1636** Nut for No. 905
- 2061** Tension spring for No. 20361
- 2065** Tension disc for Nos. 20361; 20363
- 2531** Tension release washer for No. 20361
- 2536** Washer for No. 64
- 3005** Tension release pin for No. 20361
- 5544** Oil tube, 1" long, for No. 7016
- 6219** Washer for No. 700681
- 6523** Presser bar
- 6525** Presser bar spring
- 6526** Washer for No. 392
- 6611** Thread guide
- 6616** Oil wick for No. 8618
- 6632** Hinge stud for No. 7016
- 6640** Rivet for No. 20338
- 7014** Take-up lever
- 7015** Hinge pin for Nos. 7014; 7016
- 7016** Take-up lever link (Models A & B)
- 7705** Thread check spring stop for No. 20361
- 7718** Tension bracket, with fastening screw No. 624, for No. 729
- 8020** Lifting bracket guide for No. 22037
- 8021** Lifting bracket guide for No. 22037
- 8618** Oil tube, 1½" long, for No. 22775
- 8648** Thread check spring
- 10104** Hinge stud for No. 22568
- 10181** Tension release washer for No. 20363
- 10183** Tension spring for No. 20363
- 20338** Thread guide for No. 22455
- 20361** Thread tension, lower, complete, consisting of Nos. 94; 729; 1522; 2061; 2065; 2531; 7705; 7718; 8648; 105447
- 20363** Thread tension, upper, complete, consisting of Nos. 905; 1636; 2065; 10181; 10183; 105447
- 22037** Presser bar lifting bracket
- 22104** Thread wiper wire for No. 22398
- 22115** Needle bar connecting stud
- 22122** Take-up lever (Models A & B) complete, consisting of Nos. 700073; 6632; 7014; 7015; 7016; 22115; 22313; 22775; 100213
- 22128** Tension release plunger for No. 20361
- 22286** Thread wiper wire bracket for No. 22398
- 22313** Take-up crank (Models A & B)
- 22325** Thread nipper spring for No. 722451
- 22388** Thread guide
- 22398** Thread wiper, complete, consisting of Nos. 700288; 22104; 22286; 22975; 100217
- 22450** Needle bar frame (Models A & B), complete consisting of Nos. 219; 700288; 10104; 22325; 722451; 22568
- 722451** Needle bar (Models A & B)
- 22455** Face plate, complete, consisting of Nos. 6640; 20338; 22456
- 22456** Face plate
- 22514** Tension release bracket for No. 22037
- 22568** Needle bar frame
- 22672** Oil Wick for No. 5544
- 22775** Needle bar connecting link
- 22860** Thread wiper lever for No. 22975
- 22861** Clamp foot lifting lever
- 22975** Thread wiper wire holder for No. 22398
- 22993** Thread nipper lever for No. 22325
- 63048** Oil tube, 1³/₃₂" long, for No. 7014
- 63049** Oil wick for No. 63048
- ★ **100213** End screw for No. 22313
- ★ **100217** Hinge screw for No. 22975
- 105447** Washer for Nos. 1522; 1636



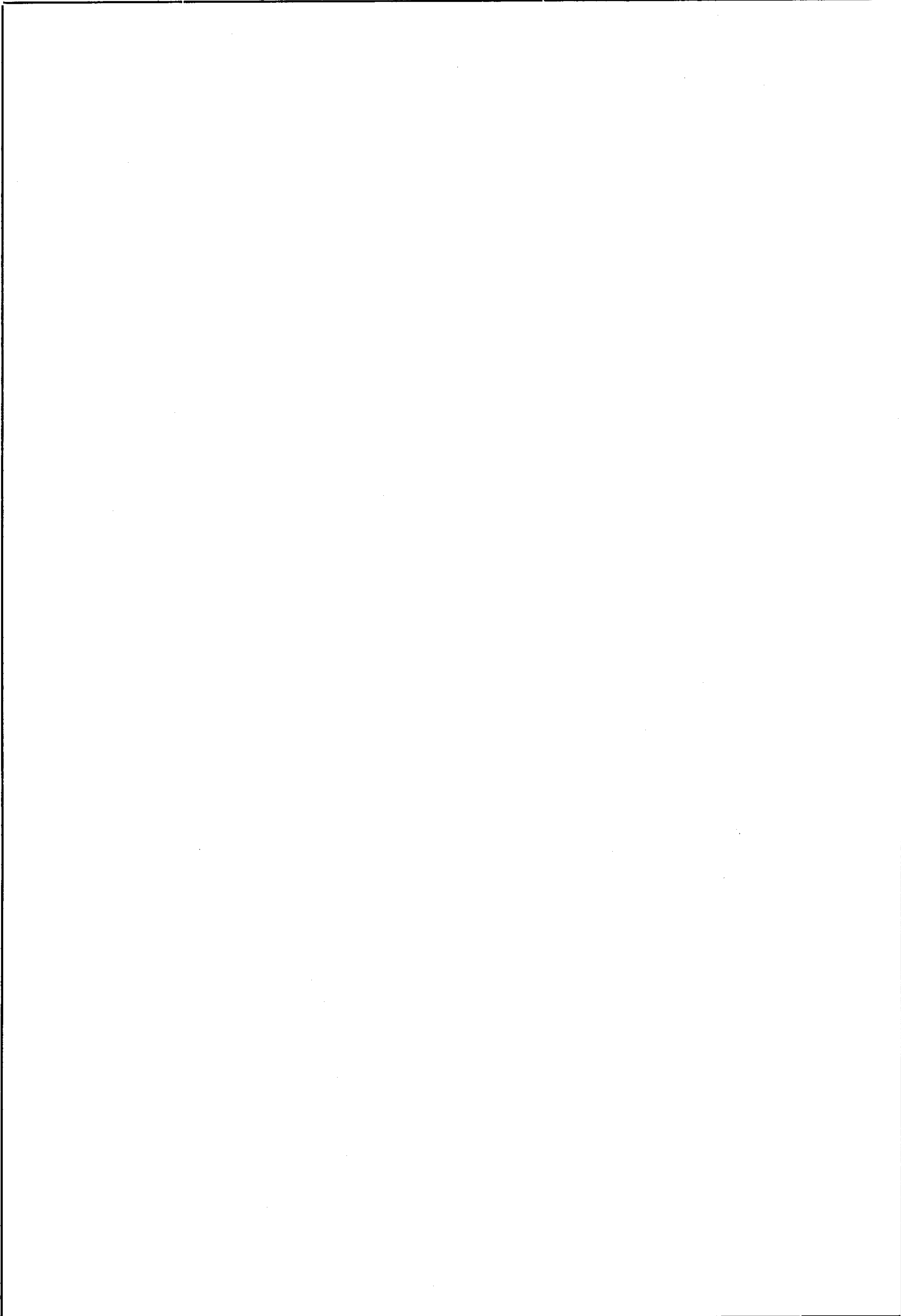




## Arm Parts

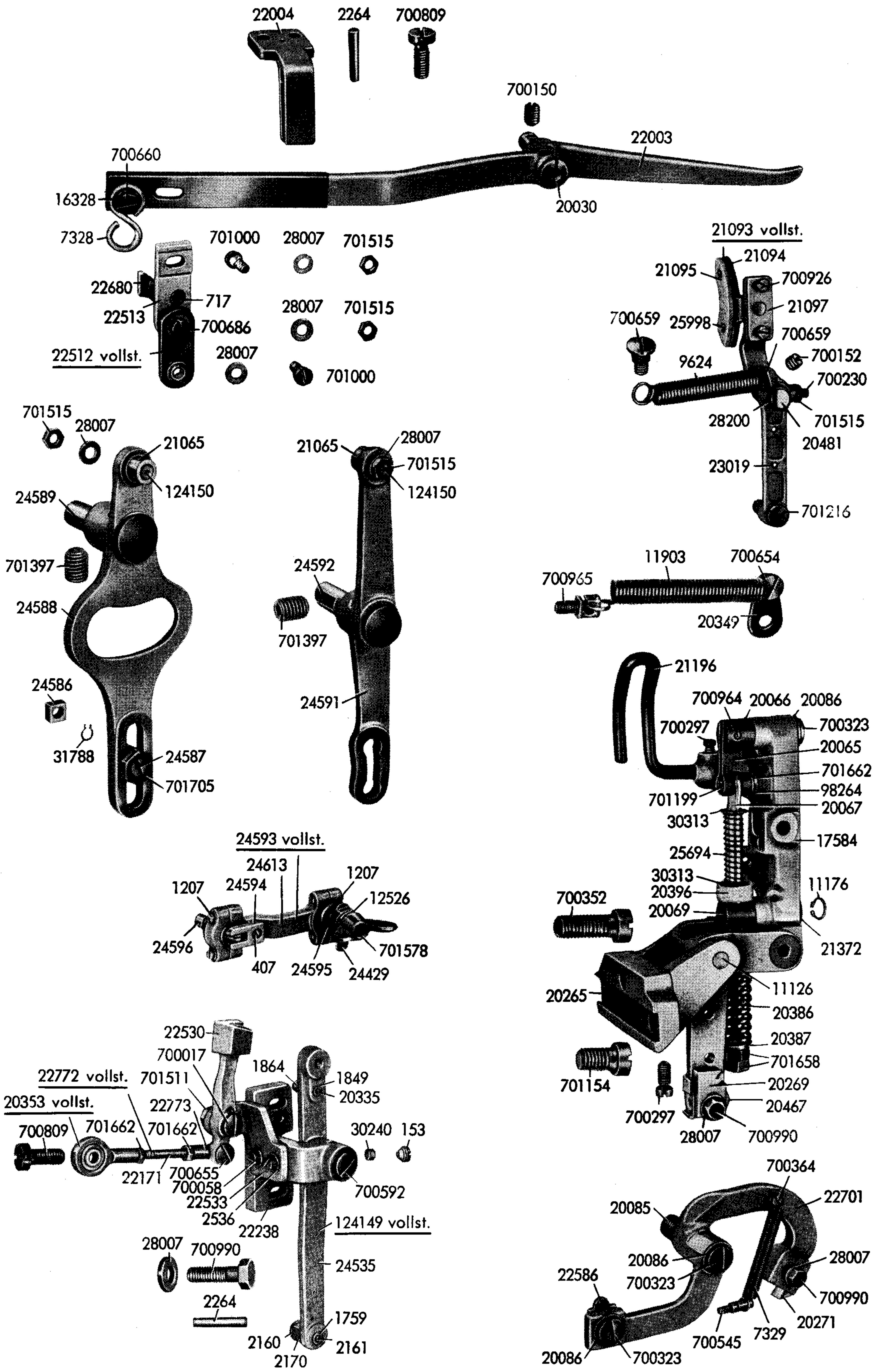


- |  |   |
|--|---|
| <b>11</b> Hinge screw for No. 22059  | <b>20272</b> Stop cam spring for No. 20658  |
| <b>29</b> Hinge screw for No. 25165  | <b>20275</b> Novotex segment for No. 20658  |
| <b>46</b> Set screw for No. 22334  | <b>20276</b> Idler pulley   |
| <b>58</b> Fastening screw for cap of No. 22059   | <b>20399</b> Ball bearing for No. 20276   |
| <b>700082</b> Fastening screw for Nos. 21030; 22328; 22454   | <b>★ 20658</b> Driving pulley w/<br>No. 700689 Fastening screw for No. 20658<br>No. 20061 Position pin for No. 21164  |
| <b>87</b> Fastening screw for No. 22335  | <b>★ 20659</b> Cap ring for No. 20658   |
| <b>700150</b> Fastening screw for Nos. 20002; 20205;<br>21195; 22042   | <b>21030</b> Stop tripping segment for No. 24934  |
| <b>153</b> Fastening screw for No. 22313 (see page 1)  | <b>21111</b> Positioning pin for Nos. 24605; 24606  |
| <b>700243</b> Fastening screw for No. 22330  | <b>21164</b> Check block for No. 20272  |
| <b>700252</b> Fastening screw for Nos. 22333; 24606<br>and binding screw for Nos. 22331; 22334   | <b>21195</b> Arm shaft bushing, rear, w/oil wick No. 10198  |
| <b>700277</b> Fastening screw for No. 20659  | <b>21208</b> Feed cam position stud for No. 22009   |
| <b>700364</b> Spring suspension screw for No. 7329   | <b>22001</b> Arm shaft  |
| <b>367</b> Fastening screw for No. 22313 (see page 1)  | <b>22009</b> Worm wheel shaft   |
| <b>405</b> Fastening screw for No. 22312   | <b>22042</b> Knife cam positioning flange for No. 22228   |
| <b>456</b> Fastening screw for No. 22312   | <b>22059</b> Shuttle drive connecting rod<br>w/fastening screw No. 58   |
| <b>700510</b> Fastening screw for<br>worm wheel of No. 24732   | <b>22228</b> Knife cam  |
| <b>511</b> Fastening screw for No. 61104   | <b>22312</b> Needle bar crank (Models A & B)  |
| <b>700680</b> Fastening screw, pointed,<br>for worm of No. 24732   | <b>22328</b> Thread nipper rod extension for No. 22329  |
| <b>700689</b> Fastening screw, blunt,<br>for No. 20658 and worm of No. 24732   | <b>22329</b> Thread nipper rod  |
| <b>700865</b> Fastening screw for No. 22228  | <b>22330</b> Bearing bracket for No. 22329  |
| <b>701342</b> Fastening screw for No. 24605  | <b>22331</b> Thread nipper crank  |
| <b>1512</b> Nut for No. 11   | <b>22332</b> Thread nipper hinge stud   |
| <b>1513</b> Nut for No. 22329  | <b>22333</b> Top cover  |
| <b>701515</b> Nut for No. 22506  | <b>22334</b> Thread nipper tripping lever   |
| <b>1547</b> Nut for No. 46   | <b>22335</b> Finger for No. 22334   |
| <b>701635</b> Nut for No. 21208  | <b>22454</b> Thread nipper tripping segment for No. 24934   |
| <b>701638</b> Nut for No. 22009  | <b>22506</b> Thread guide   |
| <b>1848</b> Positioning pin<br>for worm wheel of No. 24732   | <b>24605</b> Worm wheel shaft bearing bracket, front  |
| <b>2056</b> Positioning pin for No. 20658  | <b>24606</b> Worm wheel shaft bearing bracket, rear   |
| <b>7329</b> Tension spring for No. 22334   | <b>24732</b> Worm gear assembly, w/<br>No. 700510 Fastening screw<br>for worm wheel<br>No. 700680 Fastening screw, pointed,<br>for worm<br>No. 700689 Fastening screw, blunt,<br>for worm |
| <b>11238</b> Oil tube, 2 <sup>9</sup> / <sub>16</sub> " long, for No. 24606  | <b>24934</b> Feed cam, w/<br>No. 700082 Fastening screw for Nos. 21030;<br>22454<br>No. 21030 Stop tripping segment<br>No. 22454 Thread nipper tripping segment                           |
| <b>18358</b> Oil cup for No. 20002   | <b>25165</b> Thread nipper rod joint for Nos. 22329;<br>22331   |
| <b>20002</b> Arm shaft bushing, front, w/ oil pad No. 12199<br>(outside dia. 1 <sup>9</sup> / <sub>64</sub> " or 1 <sup>3</sup> / <sub>16</sub> " = 29 or 30 mm) | <b>61104</b> Set collar for No. 22001   |
| <b>20061</b> Position pin for No. 20658  | <b>★ 101885</b> Positioning pin for No. 22042   |
| <b>20062</b> Stop cam for No. 20658, w/ position pin<br>No. 20063 for No. 21164  | <b>24577</b> Arm (not. ill.)  |
| <b>20063</b> Position pin for No. 20062  |   |
| <b>20205</b> Arm shaft bushing, center (outside dia. 1 <sup>1</sup> / <sub>8</sub> "<br>or 1 <sup>9</sup> / <sub>64</sub> " = 28.5 or 29 mm)                     |   |

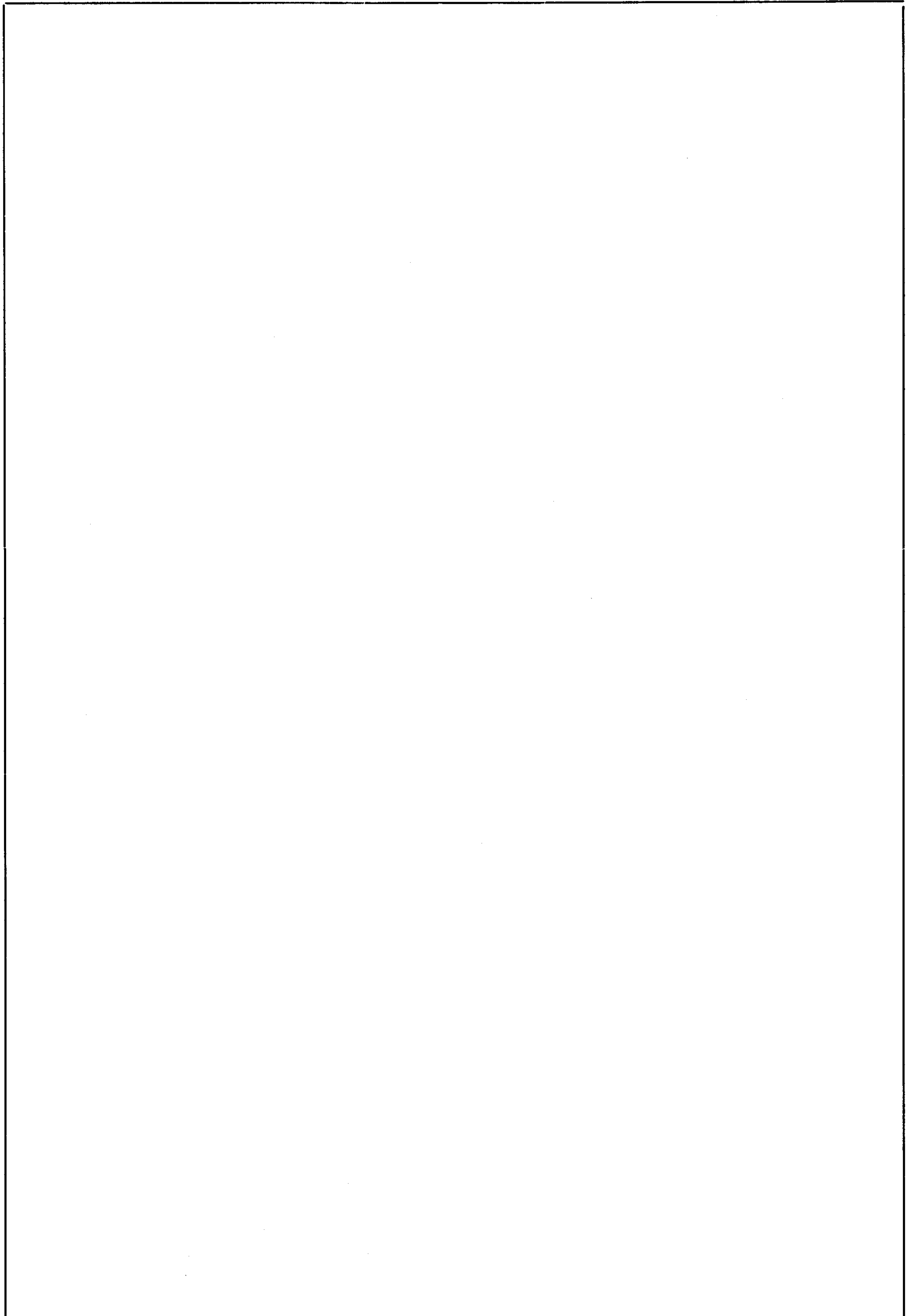




## Arm Parts

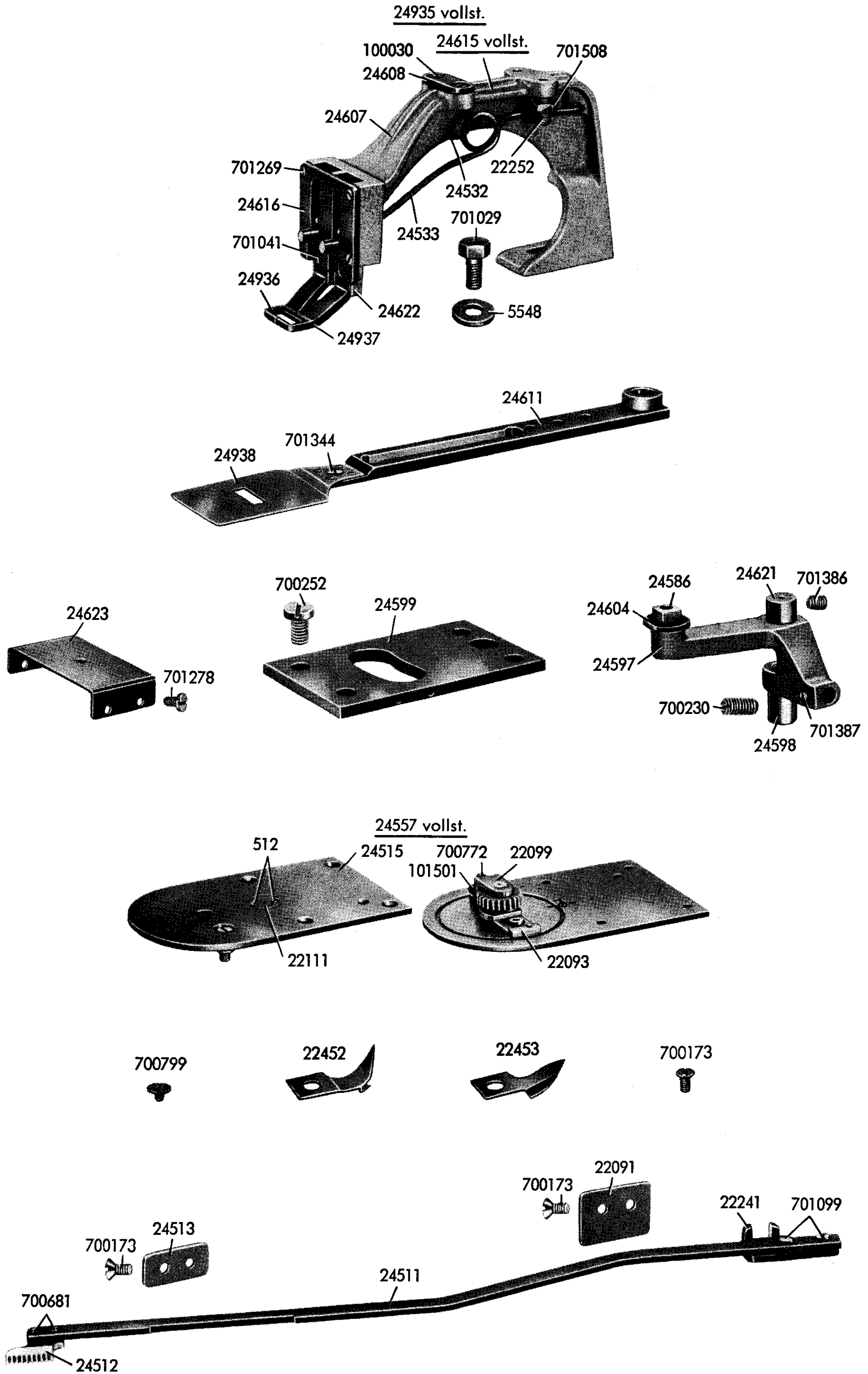


<b>700017</b>	Hinge screw for No. 22530	<b>20353</b>	Ball joint for No. 22772, complete, consisting of No. 20345 Ball joint end bearing No. 20346 Ball joint
<b>700058</b>	Fastening screw for No. 22533	<b>20386</b>	Pressure spring for No. 20067
<b>700150</b>	Fastening screw for No. 20030	<b>20387</b>	Spring collar for No. 20386
<b>700152</b>	Fastening screw for No. 20481	<b>20396</b>	Oil felt washer for No. 20067
<b>153</b>	Fastening screw for No. 700592	<b>20467</b>	Stop pin for No. 17584
<b>700230</b>	Set screw for No. 23019	<b>20481</b>	Stop pin for No. 23019
<b>700297</b>	Fastening screw for Nos. 11126; 21196	<b>21065</b>	Roller for Nos. 24588; 24591 (Orders should specify the number of dots on the face side: 1 x = 12.70 mm, or .4999" dia.; 2 x = 12.72 mm, or .5007" dia.; 3 x = 12.74 mm, or .5015" dia.; 4 x = 12.76 mm, or .5023" dia.)
<b>700323</b>	End screw for Nos. 20066; 20085; and fastening screw for No. 22586	<b>21093</b>	Brake block, complete, consisting of Nos. 21094; 21095; 25998
<b>700352</b>	Fastening screw for No. 20265	<b>21094</b>	Brake block for No. 21093
<b>700364</b>	Spring suspension screw for No. 7329	<b>21095</b>	Brake lining for No. 21093
<b>407</b>	Fastening screw for No. 24594	<b>21097</b>	Brake regulating bracket for No. 21093
<b>700545</b>	Spring suspension screw for No. 7329	<b>21196</b>	Belt shifter
<b>700592</b>	Hinge screw for No. 24535	<b>21372</b>	Washer for No. 11176
<b>700654</b>	Spring suspension screw for No. 20349	<b>22003</b>	Lifting lever
<b>700655</b>	Hinge screw for No. 22773	<b>22004</b>	Lifting lever guide
<b>700659</b>	Spring suspension screw for No. 9624	<b>22171</b>	Connecting rod for No. 22772
<b>700660</b>	Hook suspension screw for No. 22003	<b>22238</b>	Bearing bracket for No. 24535
<b>700686</b>	Fastening screw for Nos. 22512; 22680	<b>22512</b>	Ball joint connection, complete, consisting of No. 20346 Ball joint No. 22511 Connection
<b>717</b>	Fastening screw for No. 22680	<b>22513</b>	Bracket for Nos. 22512; 22680
<b>700809</b>	Fastening screw for Nos. 20353; 22004	<b>★ 22530</b>	Locking lever
<b>700926</b>	Fastening screw for No. 21097	<b>22533</b>	Bracket for No. 22530
<b>700964</b>	Hinge screw for Nos. 20065; 20066	<b>22586</b>	Tripping dog for No. 22701
<b>700965</b>	Spring suspension screw for No. 11903	<b>22680</b>	Lifting lever stop for No. 22003
<b>700990</b>	Fastening screw for Nos. 20269; 20271; 22238	<b>22701</b>	Tripping lever
<b>701000</b>	Fastening screw for Nos. 22512; 22513	<b>22772</b>	Ball joint connection for No. 22530, complete, consisting of Nos. 701662; 20353, complete; 22171; 22773
<b>701154</b>	Fastening screw for No. 20265	<b>22773</b>	Connecting rod joint for No. 22772
<b>701199</b>	Hinge screw for Nos. 20065; 20067	<b>23019</b>	Brake lever
<b>1207</b>	Fastening screw for cap of No. 24613	<b>24429</b>	Stop for No. 24593
<b>701216</b>	Hinge screw for No. 23019	<b>24535</b>	Knife bar tripping lever for No. 124149
<b>701397</b>	Fastening screw for Nos. 24589; 24592	<b>24586</b>	Slide block for No. 24588
<b>701511</b>	Nut for No. 700017	<b>24587</b>	Slide block stud for No. 24588
<b>701515</b>	Nut for Nos. 700230; 700686; 701000; 124150	<b>24588</b>	Feed regulator
<b>701578</b>	Wing nut for No. 24595	<b>24589</b>	Hinge stud for No. 24588
<b>701658</b>	Nut for No. 20067	<b>24591</b>	Feed across regulator
<b>701662</b>	Nut for Nos. 701199; 22171	<b>24592</b>	Hinge stud for No. 24591
<b>701705</b>	Nut for No. 24587	<b>24593</b>	Ball joint connection, complete, consisting of Nos. 407; 24594; 24595; 24596; 24613
<b>1759</b>	Slide block stud for No. 2170	<b>24594</b>	Guide fork for No. 24593
<b>1849</b>	Roller stud for No. 1864	<b>24595</b>	Ball screw stud for No. 24593
<b>1864</b>	Roller for No. 24535 (outside dia. = 7.0 mm; 7.02 mm; 7.04 mm; 7.06 mm; 7.08 mm; optional)	<b>24596</b>	Ball stud for No. 24593
<b>2160</b>	Washer for No. 2170	<b>24613</b>	Ball joint connection, w/fastening screw No. 1207, for No. 24593
<b>2161</b>	Positioning pin for No. 2160	<b>25694</b>	Pressure spring for No. 20396
<b>2170</b>	Slide block for No. 124149	<b>25998</b>	Rivet for No. 21095
<b>2264</b>	Positioning pin for Nos. 22004; 22238	<b>28007</b>	Washer for Nos. 700990; 22512; 701515
<b>2536</b>	Washer for No. 700058	<b>28200</b>	Washer for No. 20481
<b>7328</b>	Chain suspension hook for No. 22003	<b>30240</b>	Friction roller for No. 153
<b>7329</b>	Tension spring for No. 22701	<b>30313</b>	Washer for No. 25694
<b>9624</b>	Tension spring for No. 23019	<b>31788</b>	Circlip for No. 24587
<b>11126</b>	Stop motion lever hinge stud	<b>98264</b>	Spring washer for No. 701662
<b>11176</b>	Circlip for No. 20069	<b>124149</b>	Knife bar tripping lever, complete, consisting of: Nos. 1759; 1849; 2160; 2161; 2170; 24535
<b>11903</b>	Tension spring for No. 17584	<b>124150</b>	Roller stud for Nos. 24588; 24591
<b>12526</b>	Washer for No. 701578		
<b>16328</b>	Slip washer for No. 700660		
<b>17584</b>	Stop motion lever		
<b>20030</b>	Hinge stud for No. 22003		
<b>20065</b>	Stop link		
<b>20066</b>	Hinge stud for No. 20065		
<b>20067</b>	Stop link rod		
<b>20069</b>	Hinge stud for No. 20067		
<b>20085</b>	Hinge bolt for No. 22701		
<b>20086</b>	Washer for Nos. 700323; 20066; 20085		
<b>20265</b>	Bearing bracket for No. 17584		
<b>20269</b>	Catch for No. 17584		
<b>20271</b>	Latch for No. 22701		
<b>20335</b>	Roller stud, flanged, for No. 1864		
<b>20349</b>	Spring suspension bracket for Nos. 11903; 17584		





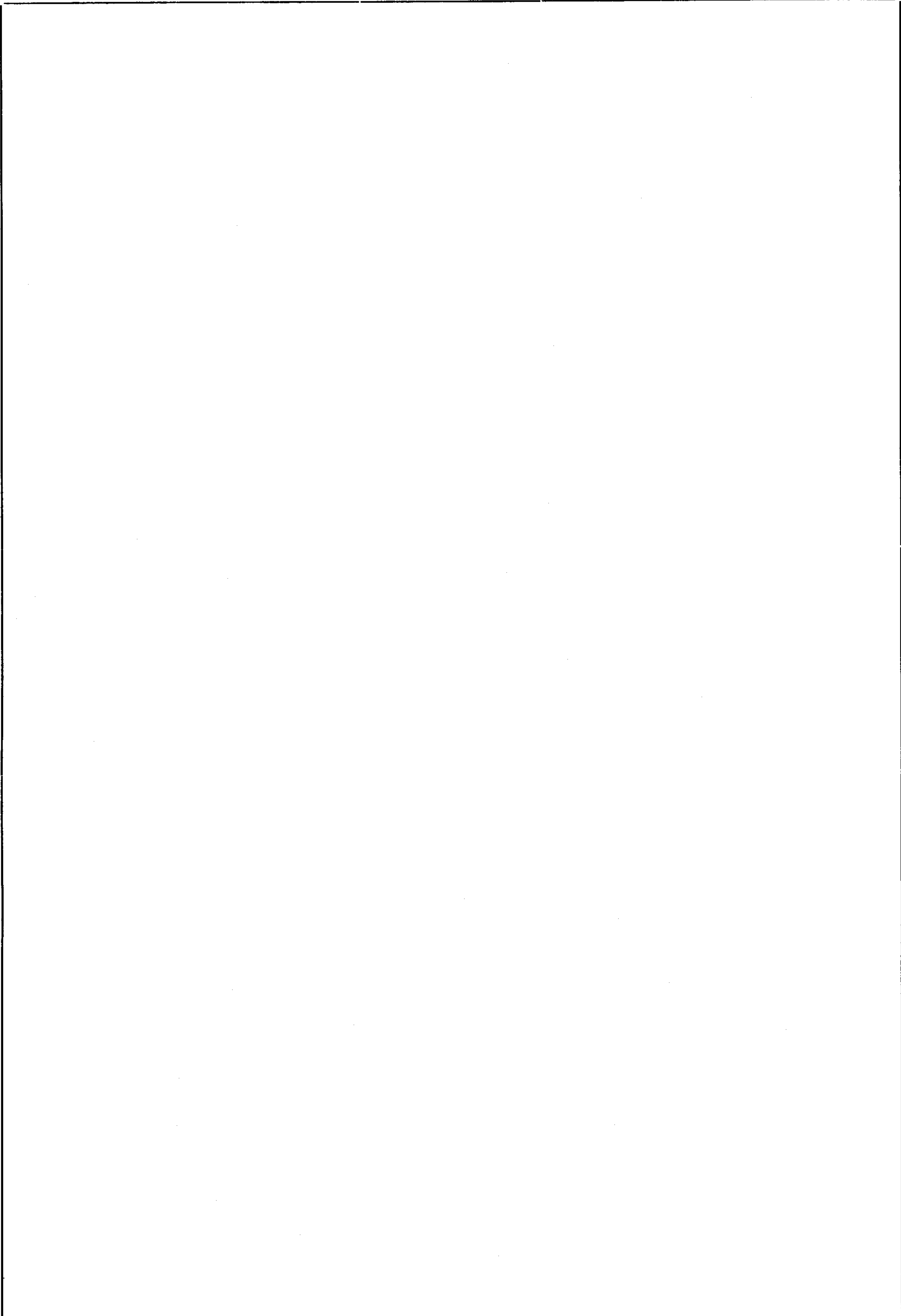
**Cylinder Bed Parts**



<b>700173</b>	Fastening screw for Nos. 22091; 24513; 24557	<b>24532</b>	Pressure spring, left, for No. 24615
★ <b>700230</b>	Fastening screw for No. 24598	<b>24533</b>	Pressure spring, right, for No. 24615
<b>700252</b>	Fastening screw for No. 24599	<b>24557</b>	Needle plate (Model A), complete, consisting of Nos. 512; 700772; 22093; 22099; 22111; 24515; 101501
<b>512</b>	Fastening screw for No. 22111	<b>24586</b>	Slide block for No. 24597
<b>700681</b>	Fastening screw for No. 24512	<b>24597</b>	Feed across driving lever for No. 24611
<b>700772</b>	Fastening screw for No. 22099	<b>24598</b>	Fulcrum stud, lower, for No. 24597
<b>700799</b>	Fastening screw for Nos. 22452; 22453	<b>24599</b>	Cylinder arm top cover
<b>701029</b>	Fastening screw for No. 24935	<b>24604</b>	Slide block stud for No. 24597
<b>701041</b>	Fastening screw for Nos. 24936; 24937	<b>24607</b>	Work clamp frame for No. 24615
<b>701099</b>	Fastening screw for No. 22241	<b>24608</b>	Slide plate for No. 24615
★ <b>701269</b>	Fastening screw for No. 24616	<b>24611</b>	Feed plate carrier bar for Nos. 24935; 24938
<b>701278</b>	Fastening screw for No. 24623	<b>24615</b>	Work clamp, complete, consisting of Nos. 701041; 701269; 701508; 22252; 245532; 24533; 24607; 24608; 24616; 24622; 100030
<b>701344</b>	Fastening screw for No. 24938	<b>24616</b>	Work clamp face plate for No. 24615
<b>701386</b>	Fastening screw for No. 24621	★ <b>24621</b>	Fulcrum stud, upper, for No. 24597
★ <b>701387</b>	Fastening screw for No. 24596 (see page III)	★ <b>24622</b>	Work clamp foot bracket for No. 24615
<b>701508</b>	Regulating nut for No. 22252	<b>24623</b>	Cover for No. 24599
<b>5548</b>	Washer for No. 701029	<b>24935</b>	Work clamp, w/work clamp feet, complete, consisting of Nos. 24615, complete; 24936; 24937
<b>22091</b>	Position bracket for No. 22241	<b>24936</b>	Work clamp foot, left
<b>22093</b>	Knife carrier for No. 24557	<b>24937</b>	Work clamp foot, right
<b>22099</b>	Knife holder pinion stud bracket for No. 24557	<b>24938</b>	Feed plate
<b>22111</b>	Needle plate insert for No. 24557 (Model A)	<b>100030</b>	Fastening screw for No. 24608
<b>22241</b>	Knife bar tripping fork for No. 24511	<b>101501</b>	Nut for No. 700772
<b>22252</b>	Stud, threaded, for No. 24615	<b>24578</b>	Cylinder arm (not ill.)
<b>22452</b>	Bobbin thread knife for No. 24557	<b>701063</b>	Fastening screw for No. 24578 (not ill.)
<b>22453</b>	Needle thread knife for No. 24557	★ <b>101824</b>	Positioning pin for No. 24578 (not ill.)
<b>24511</b>	Knife bar		
<b>24512</b>	Knife bar rack for No. 24511		
<b>24513</b>	Position bracket for No. 24511		
<b>24515</b>	Needle plate for No. 24557		

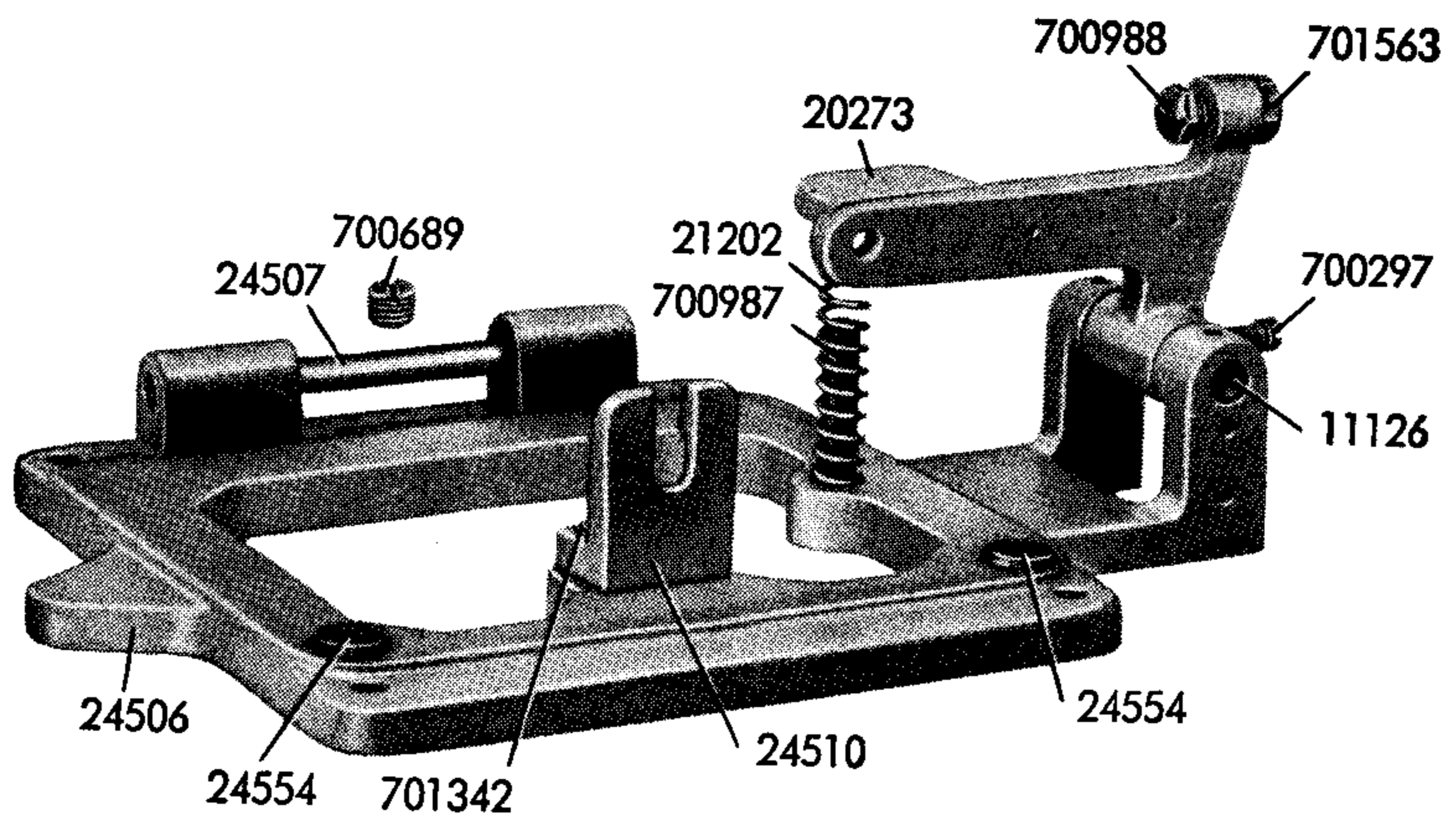
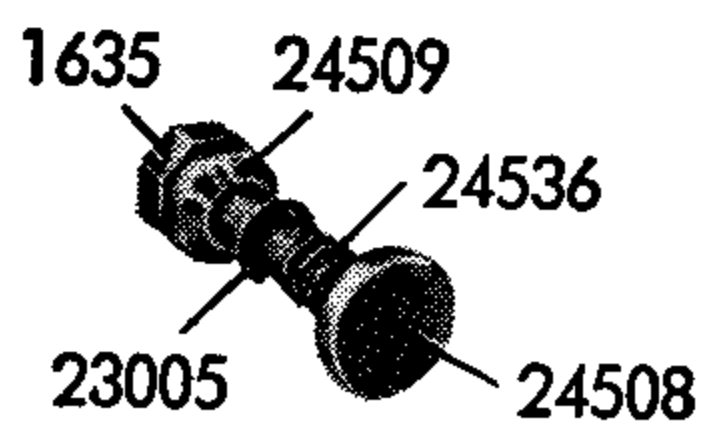
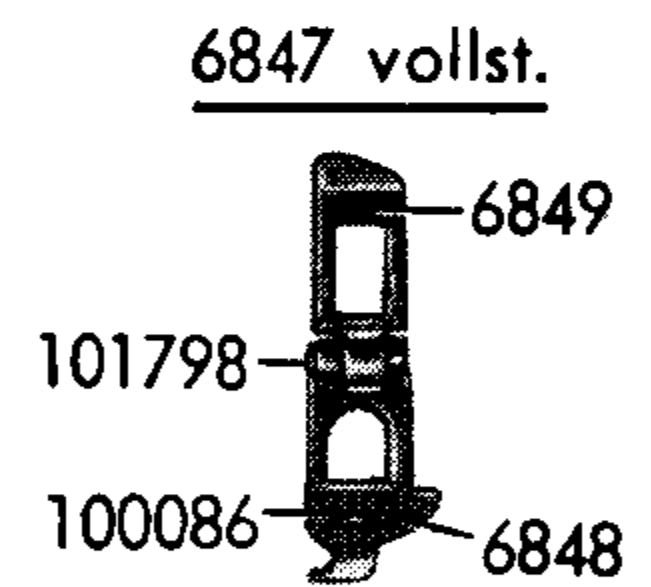
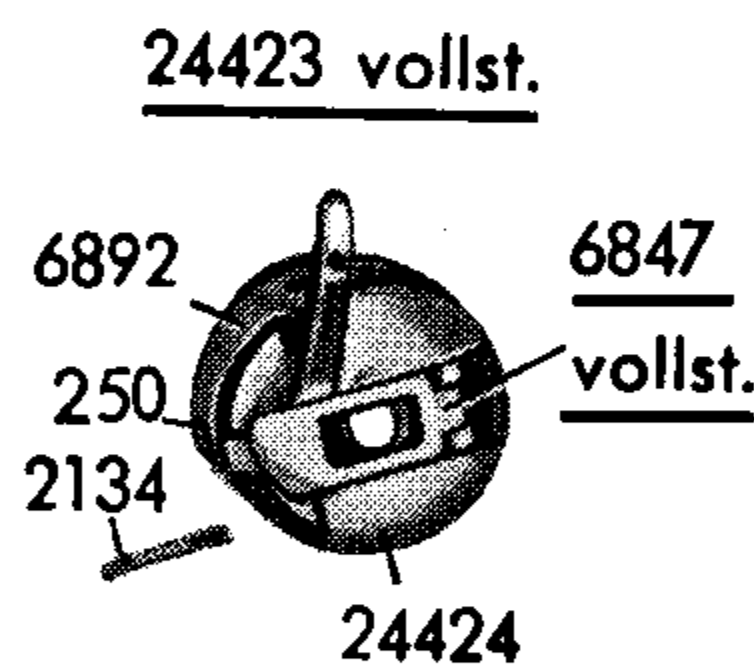
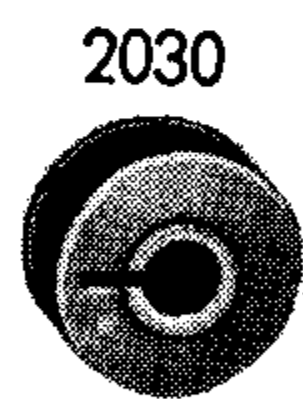
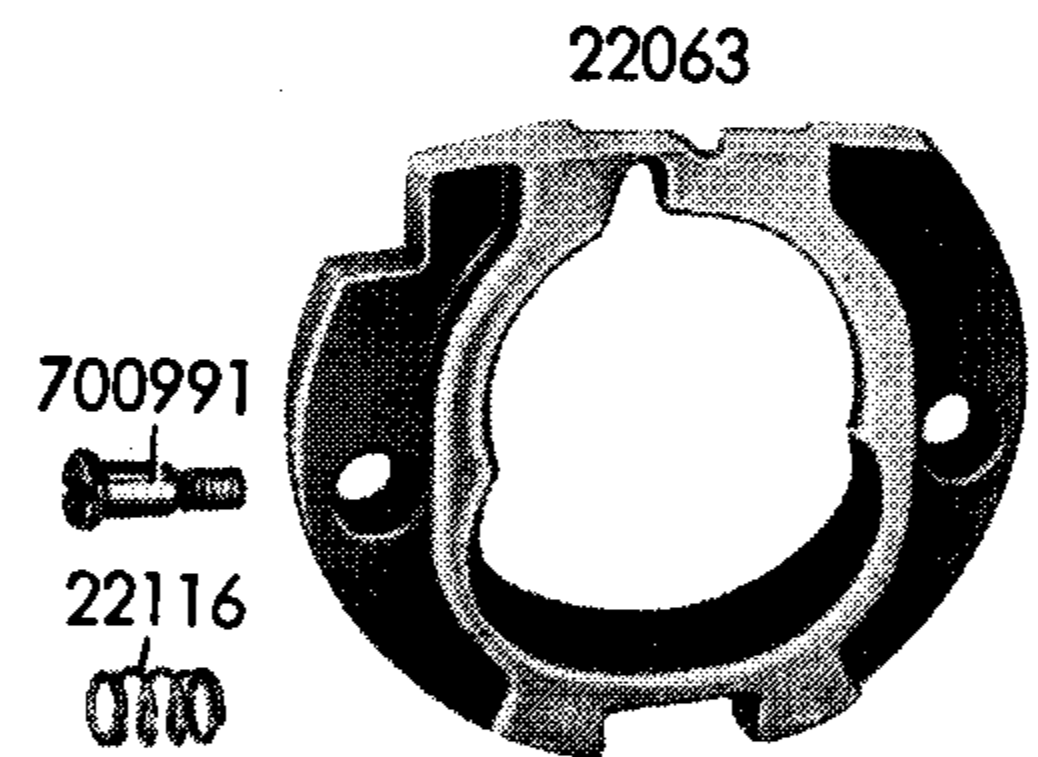
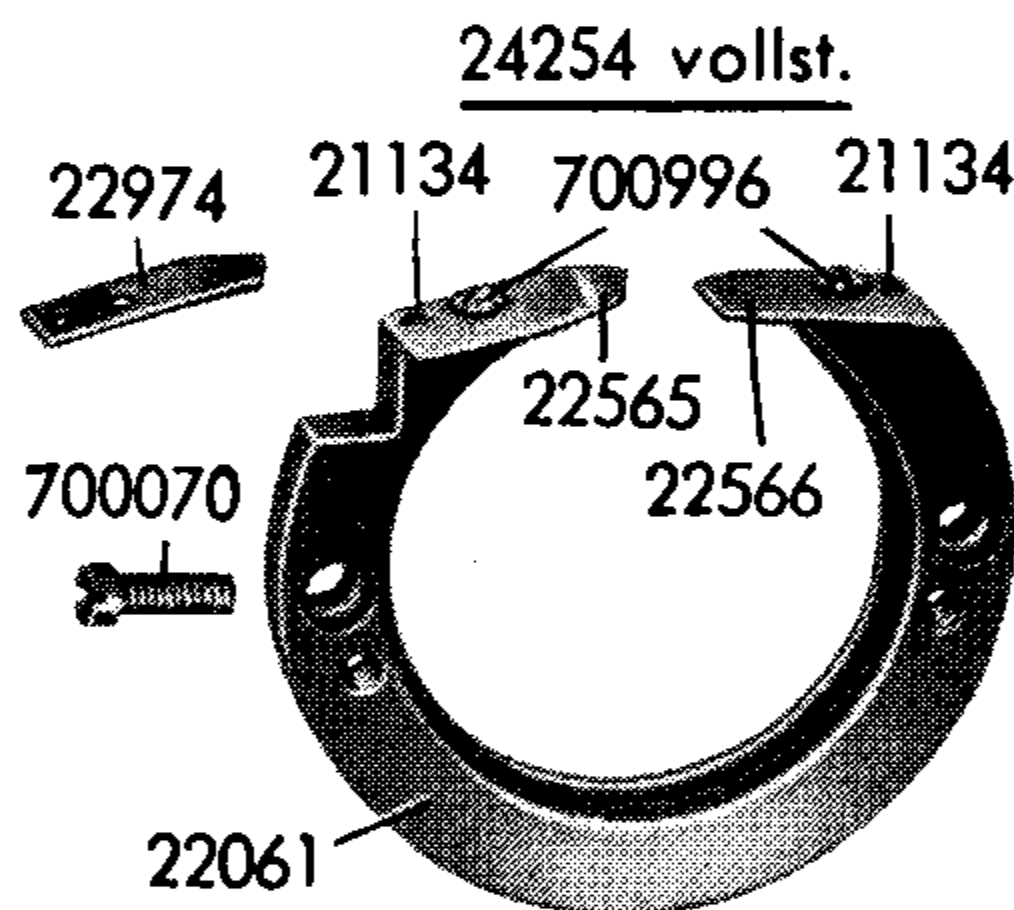
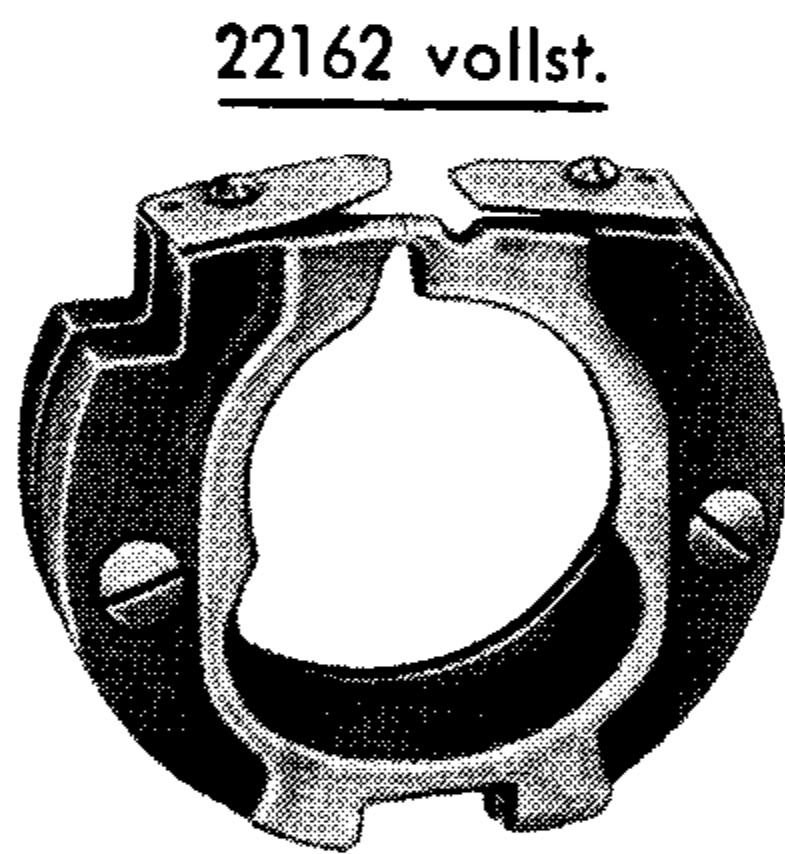
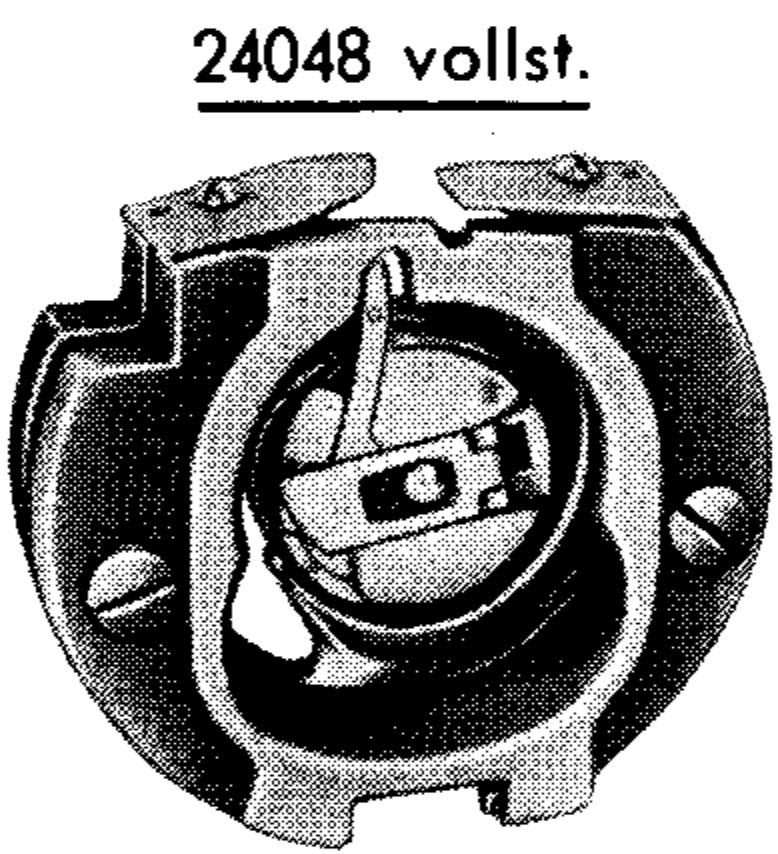
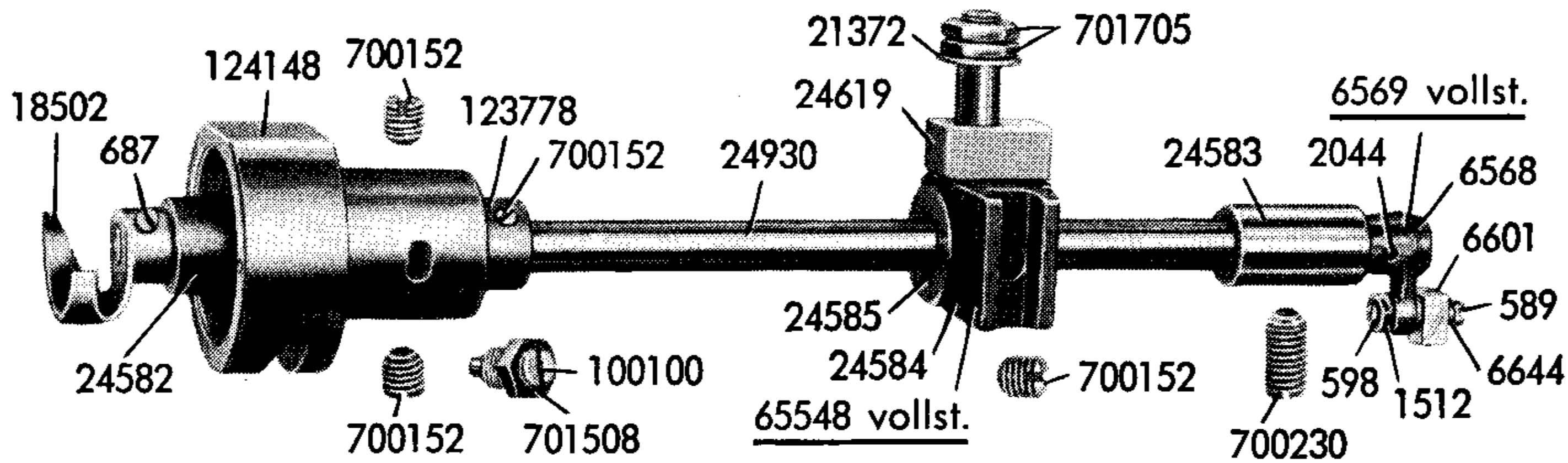
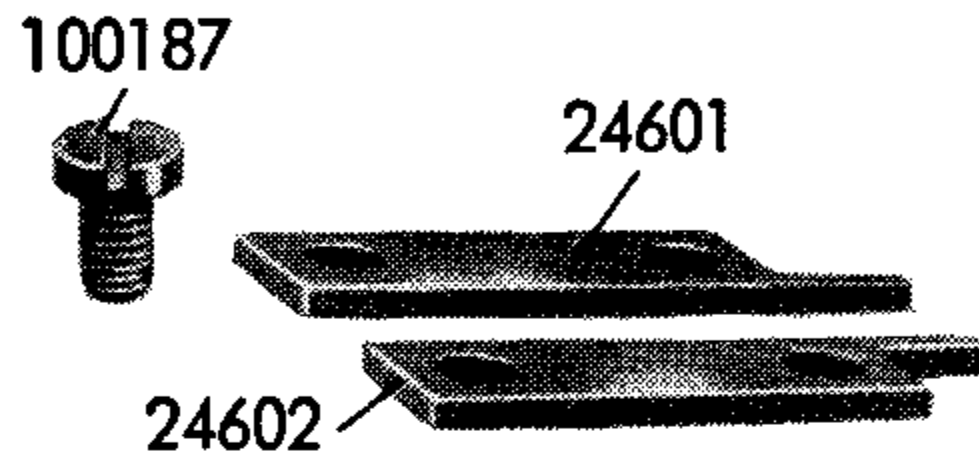
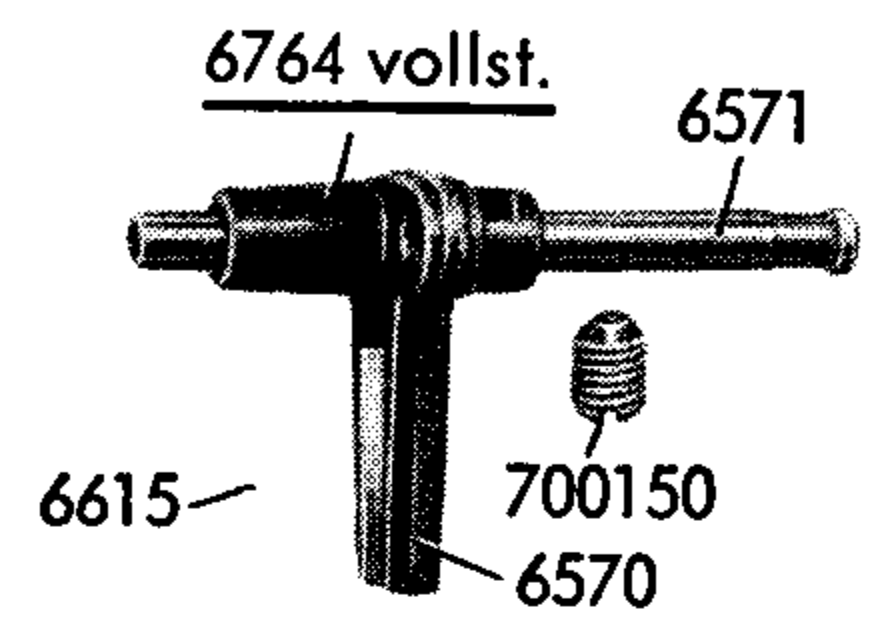
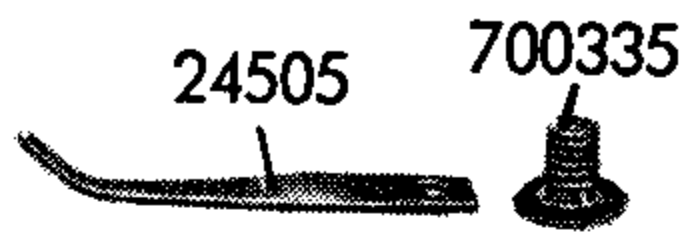
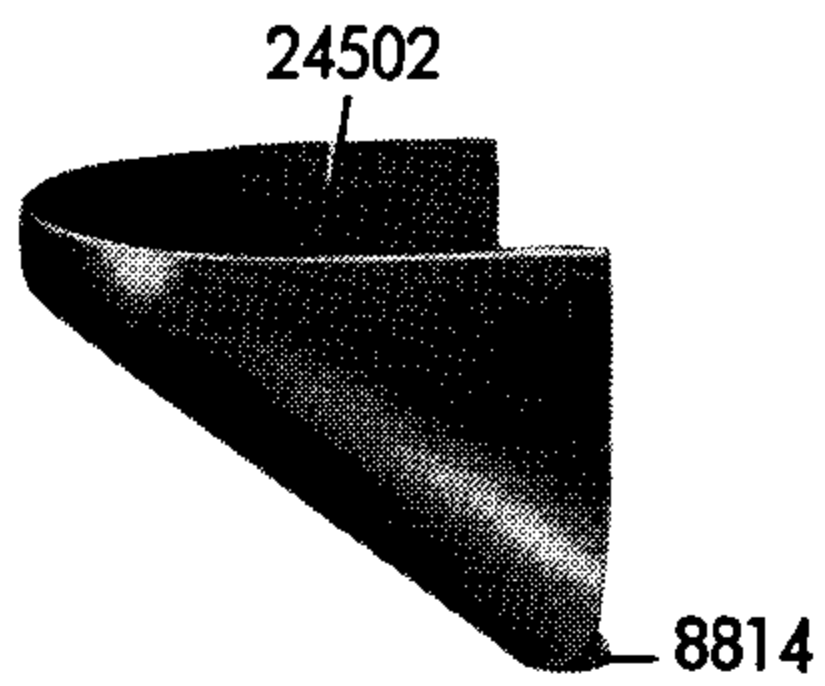
**Organizational Parts of the Pfaff 3335-0-1/2 (not ill.) (For standard parts please refer to the Pfaff 3335-0-1/1)**

<b>24939</b>	Work clamp, w/ work clamp feet, complete, consisting of Nos. 24615, complete; 24940; 24941
<b>24940</b>	Work clamp foot, left
<b>24941</b>	Work clamp foot, right
<b>24942</b>	Feed plate

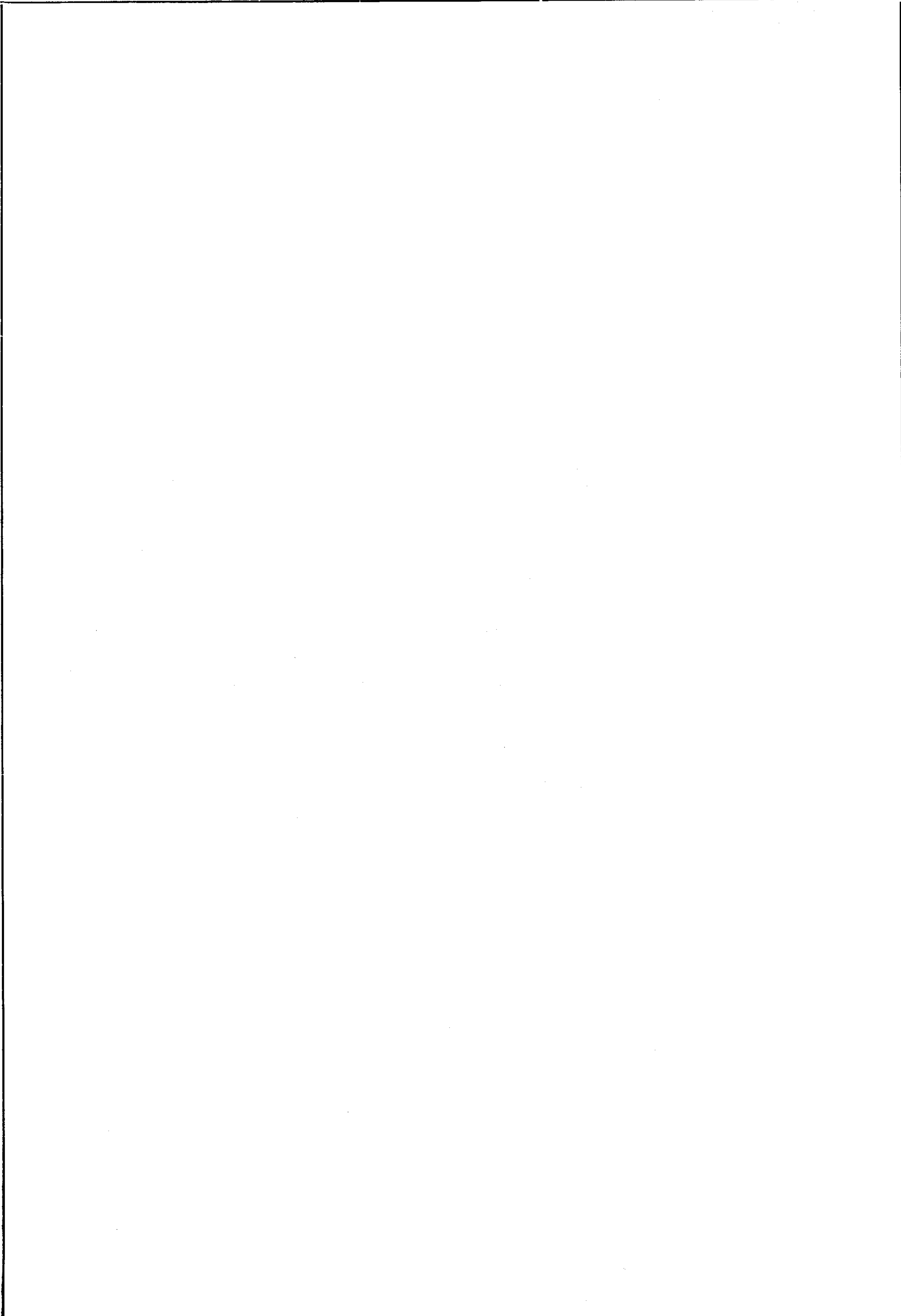


**V**

**Cylinder Bed and Machine  
Base Parts**

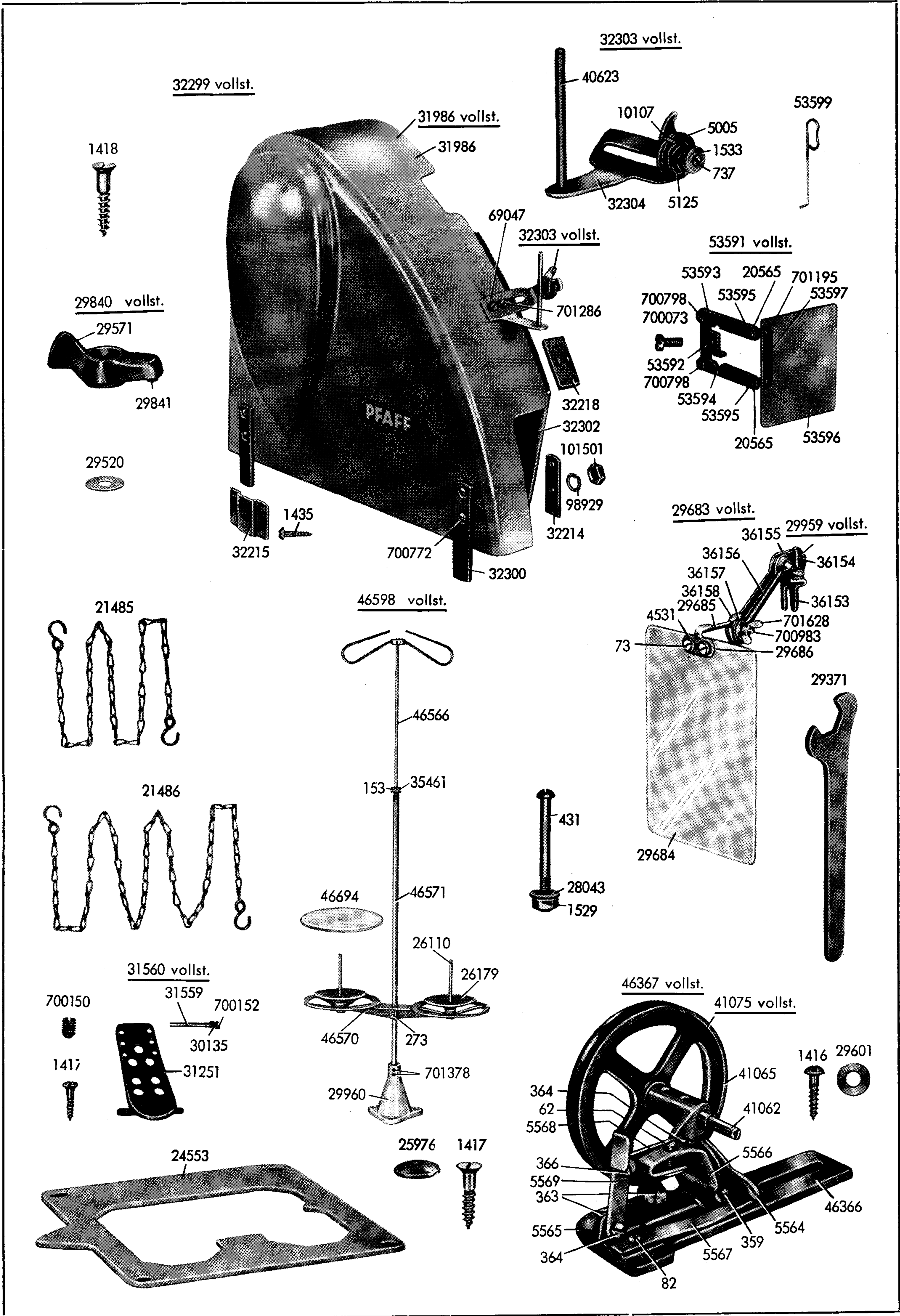


- 700070** Fastening screw for No. 24254  
**700150** Fastening screw for No. 6571  
**700152** Fastening screw for Nos. 24585; 123778; 124148  
★ **700152** Fastening screw for No. 24582  
★ **700230** Fastening screw for No. 24583  
**250** Regulating screw for No. 6892  
**700297** Fastening screw for No. 20273  
**700335** Fastening screw for No. 24505  
★ **589** End screw for No. 6569  
★ **598** Slide block stud for No. 6569  
**687** Fastening screw for No. 18502  
**700689** Fastening screw for No. 24507  
**700987** Guide screw for No. 21202  
**700988** Set screw for No. 20273  
**700991** Fastening screw for No. 22063  
**700996** Fastening screw for Nos. 22565; 22566  
**701342** Fastening screw for No. 24510  
**701508** Nut for No. 100100  
**1512** Nut for No. 598  
**701563** Nut for No. 700988  
**1635** Jam nut for No. 24509  
**701705** Nut for No. 24584  
**2030** Bobbin  
**2044** Positioning pin for No. 6569  
**2134** Pressure spring for No. 6848  
**6568** Shuttle driver shaft crank  
**6569** Shuttle driver shaft crank, complete, consisting of Nos. 589; 598; 1512; 6568; 6601; 6644  
**6570** Oscillating rock shaft for No. 6764  
★ **6571** Oscillating rock shaft hinge pin for No. 6764  
**6601** Slide block for No. 6569  
**6615** Oil pad for No. 6570  
★ **6644** Washer for No. 6569  
**6694** Shuttle  
**6764** Oscillating rock shaft, complete, consisting of Nos. 6570; 6571  
★ **6847** Bobbin case latch, complete, consisting of Nos. 6848; 6849; 100086; 101798  
★ **6848** Bobbin case latch for No. 6847  
★ **6849** Bobbin case latch lever for No. 6847  
★ **6892** Tension spring for No. 24423  
**8814** Hinge pin for No. 24502  
**9149** Oil wick for No. 6571  
**11126** Starting lever hinge stud for No. 20273  
**18502** Shuttle driver  
**20273** Starting lever  
**21134** Positioning pin for Nos. 22565; 22566  
**21202** Pressure spring for No. 20273  
**21372** Washer for No. 701705  
**22061** Shuttle race  
**22063** Shuttle race ring  
**22116** Pressure spring for No. 22063  
**22162** Shuttle race, complete, consisting of Nos. 700991; 22063; 22116; 24254 complete  
**22565** Shuttle race cap, left, for No. 24254  
**22566** Shuttle race cap, right, for No. 24254  
**22974** Shuttle race cap, left, for No. 24254  
**23005** Slip washer for No. 24508  
**24048** Shuttle race, w/ shuttle and bobbin case, complete, consisting of Nos. 6694; 22162, complete; 24423 complete  
**24254** Shuttle race, complete, consisting of Nos. 700996; 21134; 22061; 22565; 22566  
★ **24423** Bobbin case, complete, consisting of Nos. 250; 2134; 6847, complete; 6892; 24424  
★ **24424** Bobbin case  
**24502** Cylinder arm cap w/ hinge pin No. 8814  
**24505** Cylinder arm cap spring for No. 24502  
**24506** Machine base  
**24507** Hinge stud for No. 24506  
**24508** Plunger for No. 24506  
**24509** Nut for No. 24508  
★ **24510** Position block for No. 24506  
**24536** Pressure spring for No. 24508  
**24554** Rubber cushion  
**24582** Shuttle driver shaft bushing, front  
**24583** Shuttle driver shaft bushing, rear  
**24584** Bearing stud for No. 65548  
**24585** Bearing bushing for No. 65548  
**24601** Guide plate, left  
**24602** Guide plate, right  
**24619** Slide block for No. 24584  
**24930** Shuttle driver shaft  
**65548** Bearing stud, complete, consisting of Nos. 700152; 24584; 24585  
★ **100086** Stop screw for No. 6848  
**100100** Set screw for No. 124148  
**100187** Fastening screw for Nos. 24601; 24602  
★ **101798** Hinge pin for No. 6847  
**123778** Set collar for No. 24930  
**124148** Shuttle race regulating bushing

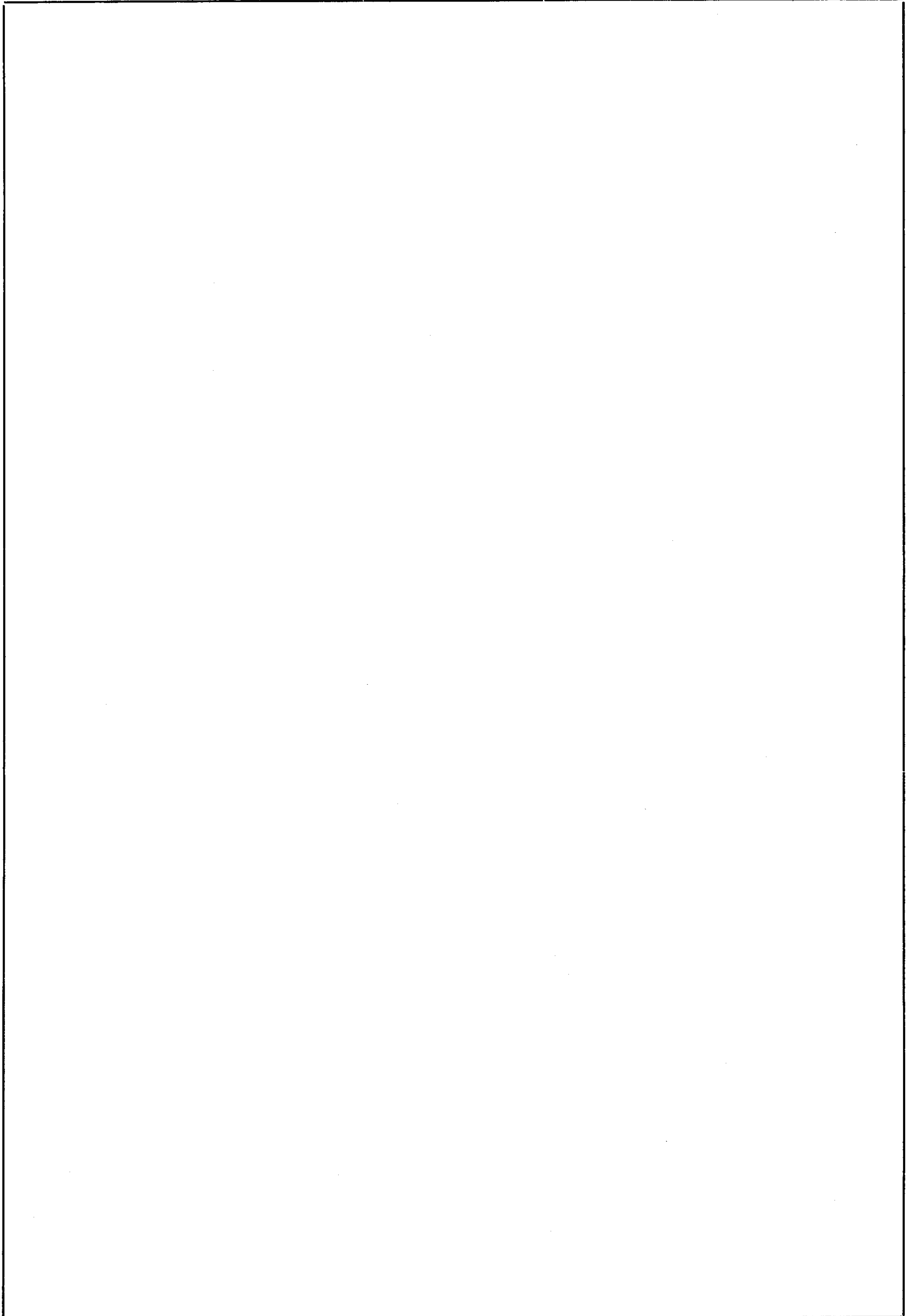




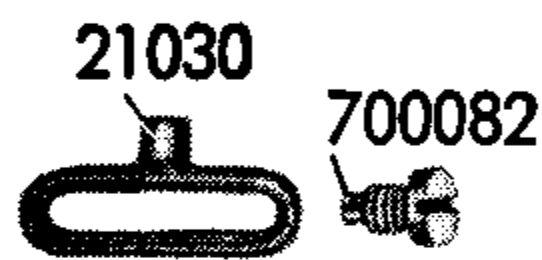
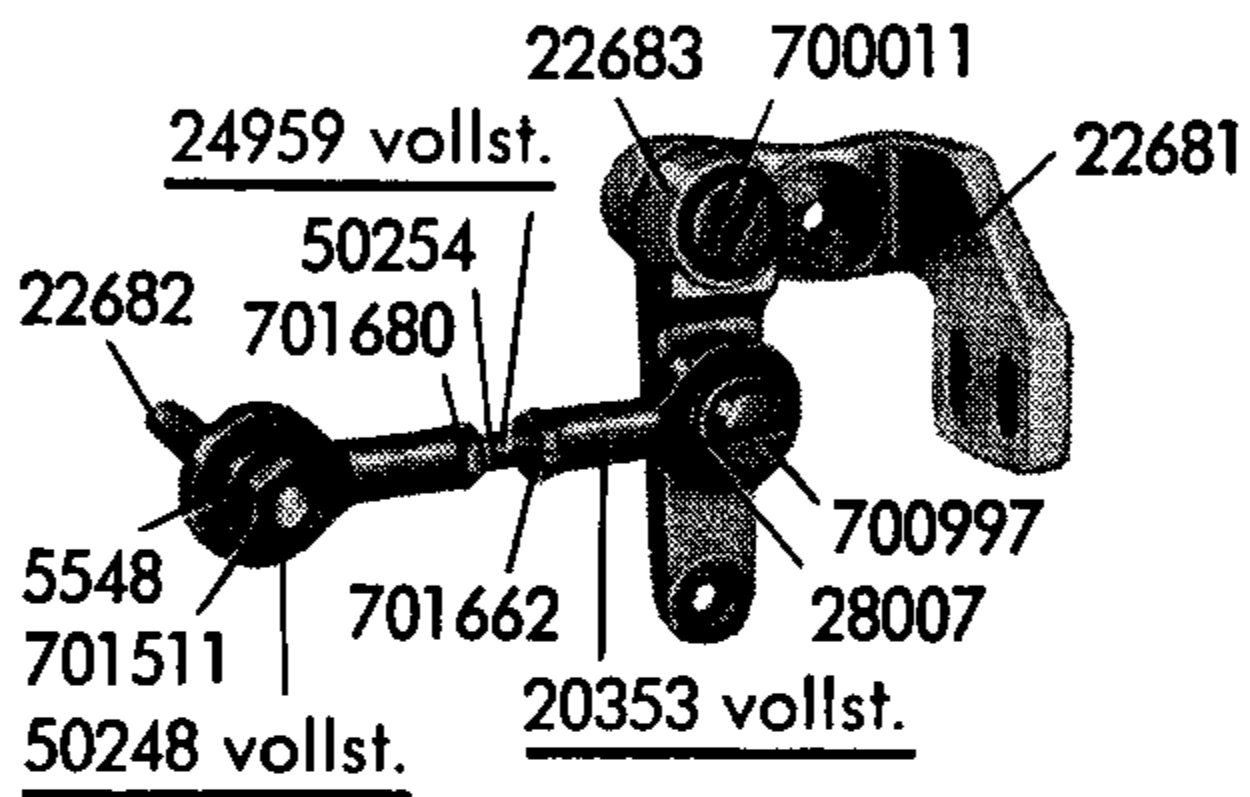
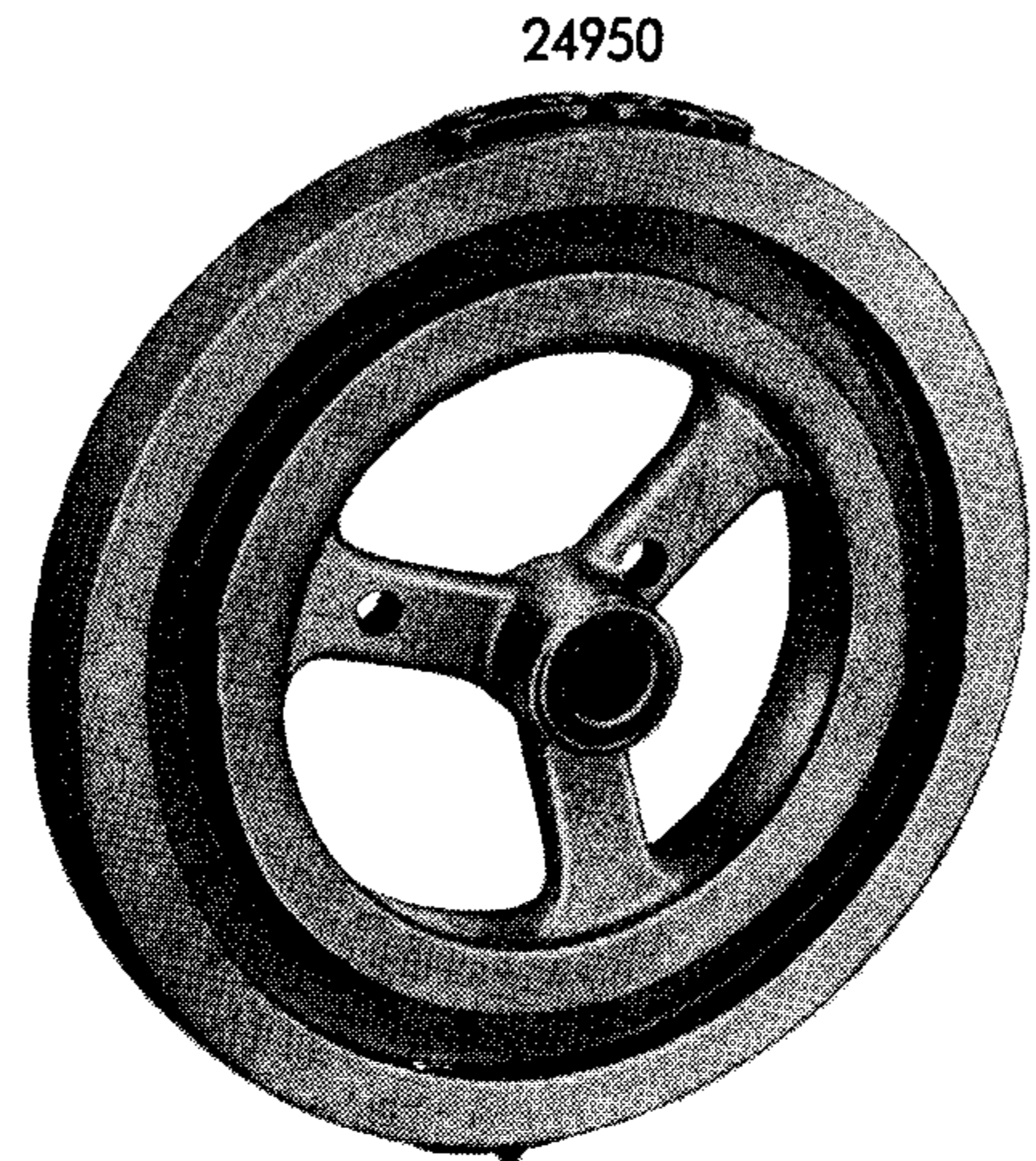
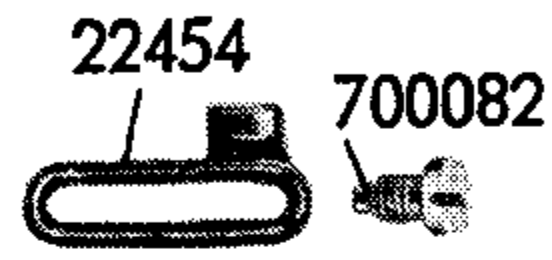
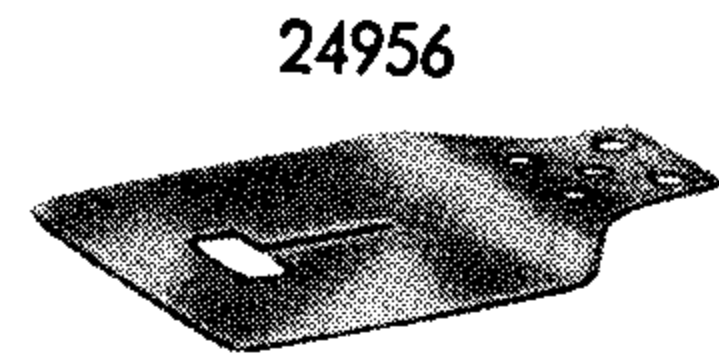
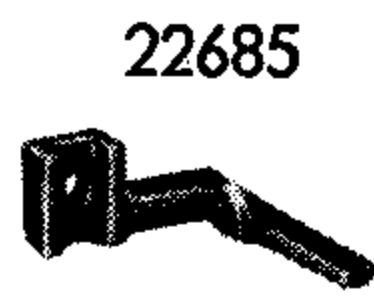
**Accessory Parts  
PFAFF 3335 & 3335-0**



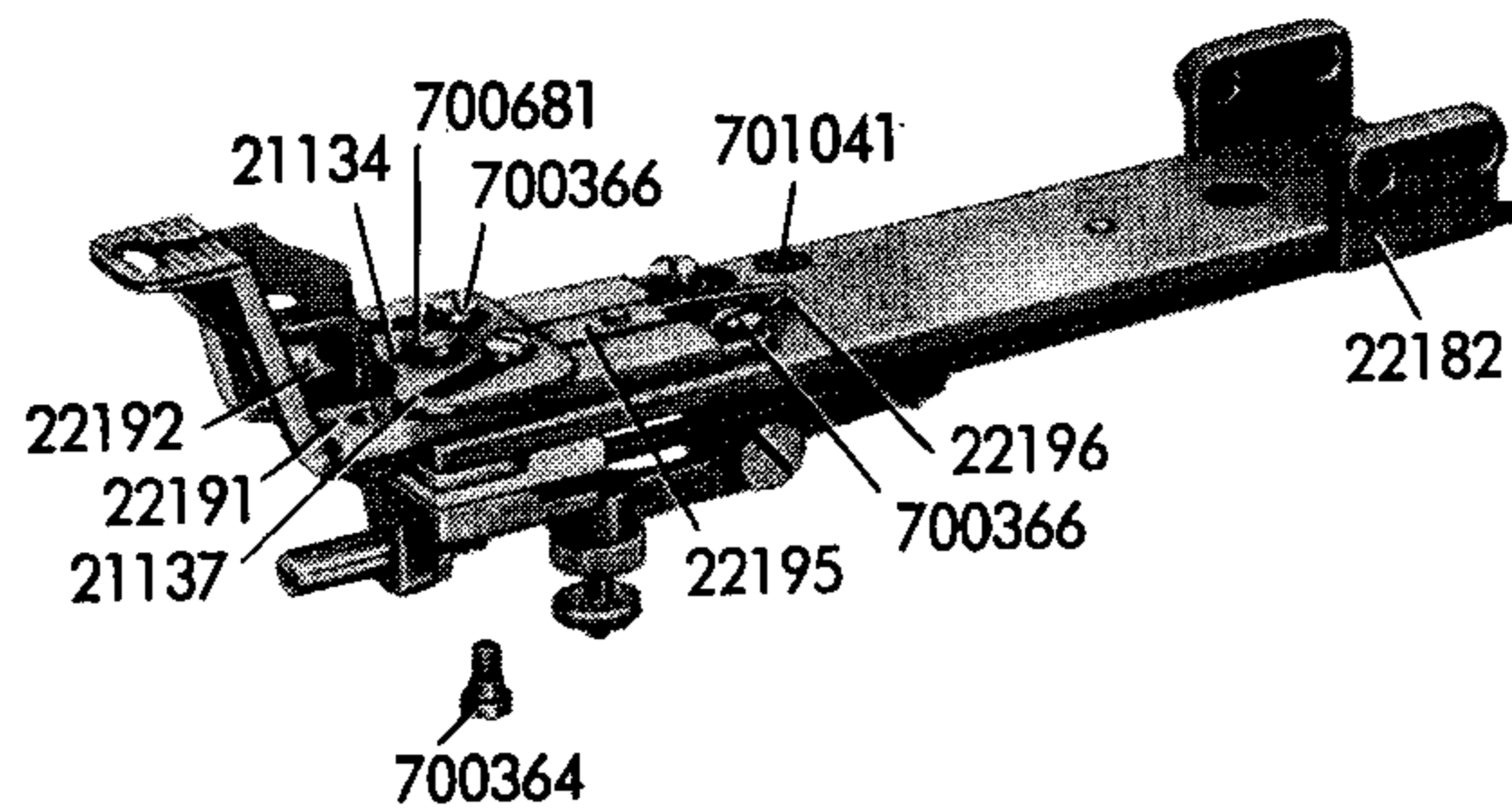
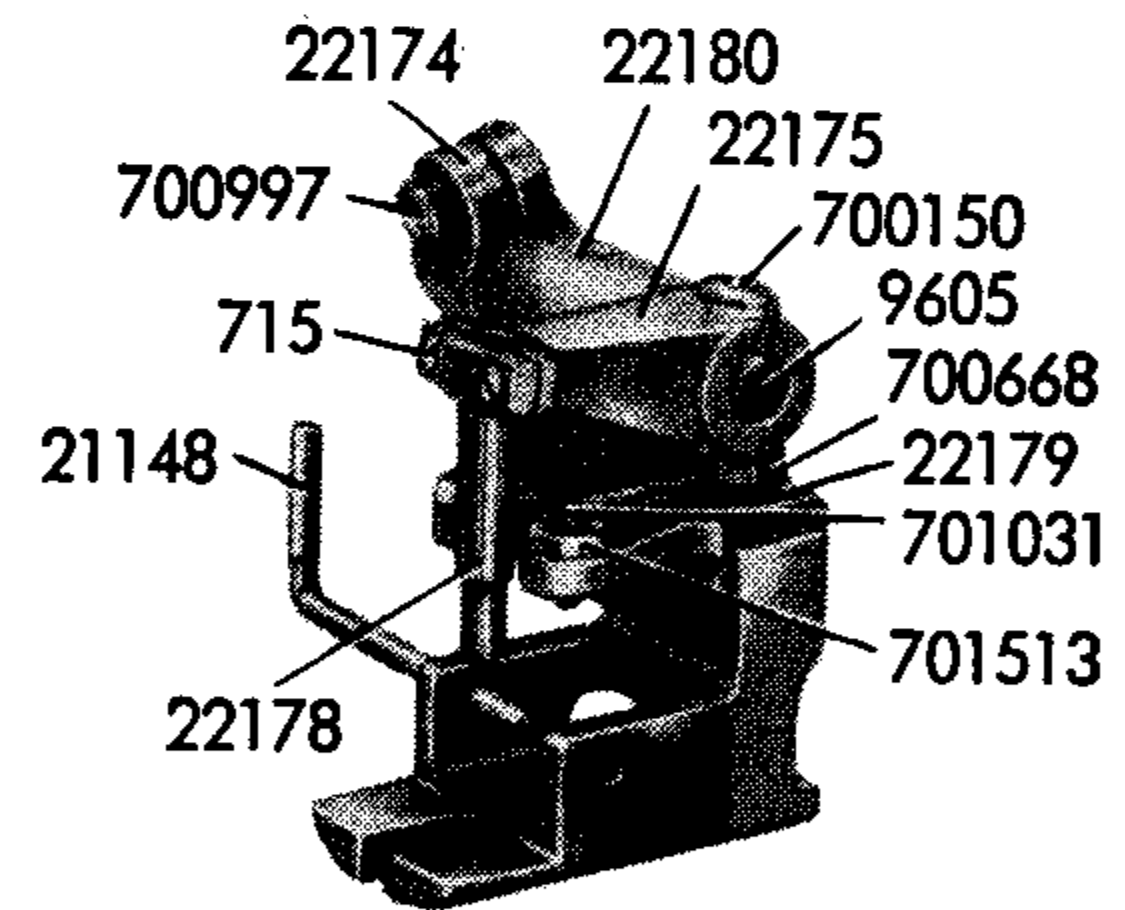
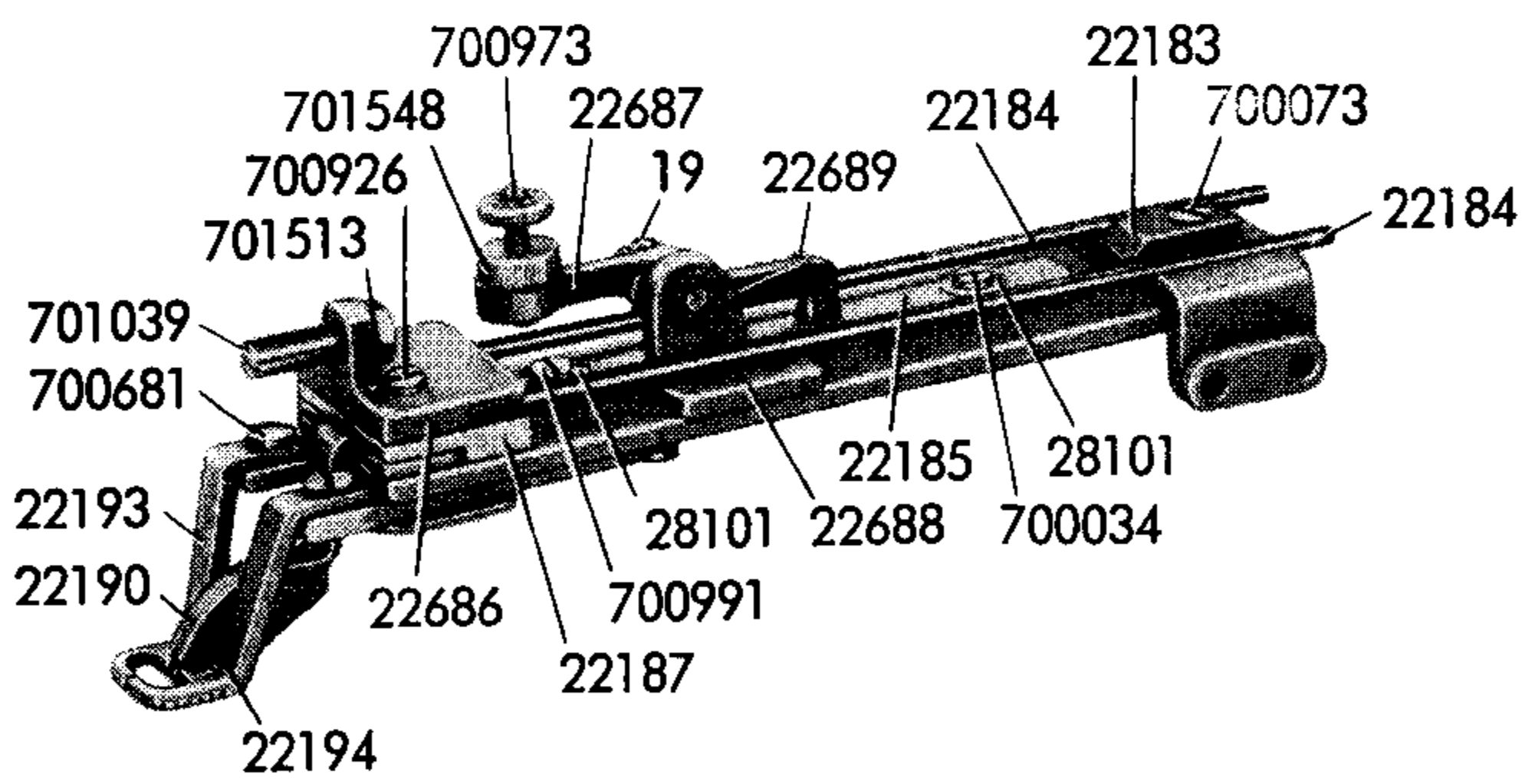
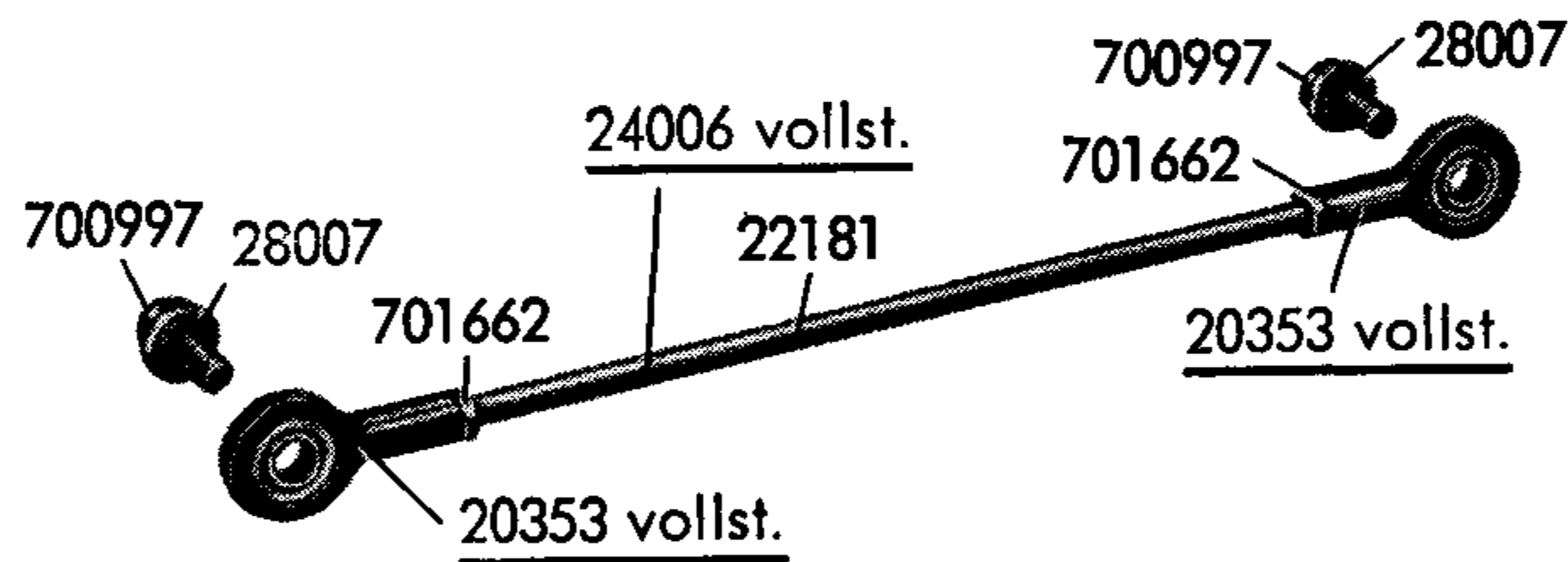
- 62** Set screw for No. 5566  
**73** Fastening screw for No. 29686  
**700073** Fastening screw for No. 53591  
**82** Fastening screw for No. 5567  
**700150** Fastening screw for No. 31559  
**700152** Fastening screw for No. 30135  
 ★ **153** Fastening screw for No. 46566  
**273** Fastening screw for No. 46570  
**359** Hinge screw for Nos. 5564; 5565  
**363** Fastening screw for No. 41075  
**364** Hinge screw for Nos. 5568; 5569  
**366** Hinge screw for Nos. 5568; 5569  
**431** Fastening screw for No. 24506 (see page V)  
**737** Tension stud for No. 32303  
**700772** Fastening screw for No. 32300  
**700798** Hinge screw for Nos. 53593; 53594  
**700983** Hinge screw for No. 29959  
**701195** Fastening screw for Nos. 53596; 53597  
 ★ **701286** Fastening screw for Nos. 32302; 32303  
 ★ **701378** Fastening screw for No. 29960  
**1416** Wood screw for No. 46367  
**1417** Wood screw for No. 31560  
 ★ **1417** Wood screw for No. 46598  
**1418** Wood screw for No. 29840  
**1435** Wood screw for No. 32215  
**1529** Nut for No. 431  
**1533** Nut for No. 737  
**701628** Wing nut for No. 700983  
**4531** Washer for No. 73  
**5005** Tension disc for No. 32303  
**5125** Tension spring for No. 32303  
**5564** Bobbin winder frame for No. 41075  
**5565** Bobbin winder frame base for No. 41075  
**5566** Bobbin winder stop latch for No. 41075  
**5567** Bobbin winder frame spring for No. 41075  
**5568** Bobbin winder stop latch trip lever for Nos. 5564; 5569  
**5569** Bobbin winder thumb lever for No. 41075  
**10107** Position pin for No. 5005  
**20565** Slip washer for Nos. 53593; 53594  
**21485** Chain for No. 20273 (see page V)  
**21486** Chain for No. 22003 (see page III)  
**24553** Plastic pad for No. 24506 (see page V)  
**25976** Spool cap for No. 46598 (on special request)  
**26110** Spool pin for No. 46598  
**26179** Spool disc for No. 46598  
**28043** Washer for No. 1529  
**29371** Hexagon screw wrench for No. 701705 on No. 24587 (see page III)  
**29520** Washer for No. 29840  
**29571** Catch for No. 29840  
**29601** Washer for No. 1416  
**29683** Eye guard, complete, consisting of Nos. 29684; 29959 complete (Special model)  
**29684** Perspex eye guard for No. 29683  
**29685** Holder for No. 29684  
**29686** Screw washer for No. 29685  
**29840** Catch for No. 32299, complete, consisting of Nos. 29571; 29841  
**29841** Leather for No. 29840  
**29959** Bracket, for No. 29683, complete, consisting of Nos. 73; 700983; 701628; 4531; 29685; 29686; 36153; 36154; 36155; 36156; 36157; 36158  
 ★ **29960** Thread unwinder base, w/ fastening screw No. 701378, for No. 46598  
**30135** Set collar for No. 31559  
**31251** Treadle, narrow  
**31559** Chain suspension stud for No. 31560  
**31560** Treadle, narrow, complete, consisting of Nos. 700150; 700152; 30135; 31251; 31559  
 ★ **31986** Belt guard for No. 31986, complete  
 ★ **31986** Belt guard for No. 32299, complete consisting of Nos. 700772; 31986; 32214; 32300; 98929; 101501  
**32214** Spacer for No. 31986  
**32215** Position strap bracket for No. 32299  
**32218** Support for No. 32299  
 ★ **32299** Belt guard, complete, consisting of Nos. 701286; 1418; 1435; 29520; 29840, complete; 31986, complete; 32215; 32218; 32302; 32303, complete; 69047  
 ★ **32300** Position strap for No. 31986  
 ★ **32302** Baffle plate for No. 32299  
**32303** Bobbin winder tension bracket for No. 32299, complete, consisting of Nos. 737; 1533; 5005; 5125; 32304; 40623  
**32304** Bobbin winder tension bracket, w/ position pin No. 10107, for No. 32303  
**35461** Set collar, w/ fastening screw No. 153, for No. 46571  
**36153** Bracket for No. 29959  
**36154** Hinge plate, slotted, for No. 29959  
**36155** Hinge plate, pronged, for No. 29959  
**36156** Carrying arm section for No. 29959  
**36157** Washer for No. 36158  
**36158** Hinge cup for No. 29959  
**40623** Spool pin for No. 32303  
**41062** Bobbin winder spindle for No. 41075  
**41065** Bobbin winder pulley for No. 41075  
**41075** Bobbin winder, complete, consisting of Nos. 62; 82; 359; 364; 366; 5564; 5565; 5566; 5567; 5568; 5569; 41062; 41065  
**46366** Bobbin winder base for No. 41075  
**46367** Bobbin winder, table model, complete, consisting of Nos. 363; 41075, complete; 46366  
**46566** Thread guide for No. 46598  
**46570** Spool rest, w/ fastening screw No. 273, for No. 46598  
**46571** Spool rest rod for No. 46598  
**46598** Thread unwinder, complete, consisting of Nos. 26110; 26179; 29960; 35461; 46566; 46570; 46571; 46694  
 ★ **46694** Spool pin washer (foam rubber) for No. 46598  
**53591** Eye guard, complete, consisting of Nos. 700798; 701195; 20565; 53592; 53593; 53594; 53595; 53596; 53597 (standard type; when used on older machines, drill and tap M4 borehole in machine at needle-bar end)  
**53592** Bracket for No. 53591  
**53593** Carrying arm, top, for No. 53591  
**53594** Carrying arm, bottom, for No. 53591  
**53595** Hinge stud, for Nos. 53593; 53594  
**53596** Perspex eye guard for No. 53591  
**53597** Reinforcing bar for No. 53591  
**53599** Suspension wire for No. 53591  
**69047** Washer for No. 701286  
**98929** Spring washer for No. 101501  
**101501** Nut for No. 700772



**Organizational Parts  
PFAFF 3335-0-5/1, /2 & /3**



22200 vollst.



- 700011** Hinge screw for No. 22683
- 19** Hinge screw for No. 22687
- 700034** Guide screw for No. 22185
- 700073** Fastening screw for No. 22183
- 700082** Fastening screw for Nos. 21030; 22454
- 700150** Fastening screw for No. 22175
- 700252** Fastening screw for No. 21302
- 700034** Guide screw for No. 22185
- 700366** Guide and hinge screw for Nos. 22191; 22192
- 700668** Fastening screw for No. 22179
- 700681** Fastening screw for Nos. 21137; 22193; 22194
- 715** Fastening screw for cap of No. 22175
- 700926** Fastening screw for No. 22686
- 700973** Stop screw for No. 22687
- 700991** Fastening screw for Nos. 22185; 22195
- 700997** Binding screw for No. 22174 and Fastening screw for Nos. 24006; 24959
- 701031** Regulating screw for No. 22184
- 701039** Stop screw for No. 22686
- 701041** Fastening screw for No. 22688
- 701511** Nut for No. 22682
- 701513** Nut for Nos. 701031; 701039
- 701548** Nut for No. 700973
- 701662** Nut (right-hand thread) for Nos. 22181; 50254
- 701680** Nut (left-hand thread) for No. 50254
- 5548** Washer for No. 701511
- 9605** Shaft for Nos. 22174; 22175
- 20353** Ball joint (right-hand thread) for Nos. 24006; 24959, complete, consisting of No. 20345 Ball joint end bearing  
No. 20346 Ball joint
- 21030** Stop tripping segment for No. 24950
- 21134** Position pin for No. 21137
- 21137** Work clamp spreader for Nos. 22191; 22192
- 21148** Hinge pin for Nos. 22180; 22182
- 21302** Stop
- 22174** Connection for Nos. 22200; 24006
- 22175** Thrust lever, w/ fastening screw No. 715, for No. 22200
- 22178** Ball stud for No. 22175
- 22179** Stop screw plate for No. 22200
- 22180** Bearing bracket for No. 22200
- 22181** Connecting rod for No. 24006
- 22182** Work clamp carrier for No. 22200
- 22183** Position bracket for No. 22182

- 22184** Pressure spring for No. 22200
- 22185** Interlocking rod for No. 22200
- 22187** Base plate for No. 22184
- 22190** Buttonhole position finger for No. 22200
- 22191** Work clamp foot bracket, left, for No. 22193
- 22192** Work clamp foot bracket, right, for No. 22194
- 22193** Work clamp foot, left, for No. 22200
- 22194** Work clamp foot, right, for No. 22200
- 22195** Connection for Nos. 21137; 22185
- 22196** Pressure spring for Nos. 22191; 22192
- 22200** Work clamp, complete, consisting of Nos. 19; 700034; 700073; 700150; 700364; 700366; 700668; 700681; 700926; 700973; 700991; 700997; 701031; 701039; 701041; 701513; 701548; 9605; 21134; 21137; 21148; 22174; 22175; 22178; 22179; 22180; 22182; 22183; 22184; 22185; 22187; 22190; 22191; 22192; 22193; 22194; 22195; 22196; 22686; 22687; 22688; 22689; 24006 complete; 28007; 28101
- 22454** Thread nipper tripping segment for No. 24950
- 22681** Bracket for No. 22683
- 22682** Stud, threaded, for No. 24959
- 22683** Connection lever, for Nos. 24006; 24959
- 22685** Clamp foot lifting lever
- 22686** Bearing bracket for No. 22200
- 22687** Locking lever for No. 22200
- 22688** Bearing bracket for No. 22687
- 22689** Torsion spring for No. 22687
- 24006** Ball joint connection for No. 22200, complete, consisting of Nos. 701662; 20353, complete; 22181
- 24950** Feed cam, w/ No. 700082 Fastening screw for Nos. 21030; 22454  
No. 21030 Stop tripping segment  
No. 22454 Thread nipper tripping segment
- 24956** Feed plate
- 24959** Ball joint connection for No. 22683, complete, consisting of Nos. 701662; 701680; 20353 complete; 50248 complete; 50254
- 28007** Washer for No. 700997
- 28101** Washer for Nos. 700034; 700991
- 50248** Ball joint (left-hand thread) for No. 24959, complete, consisting of  
No. 20346 Ball joint  
No. 50249 Ball joint end bearing
- 50254** Connecting rod for No. 24959

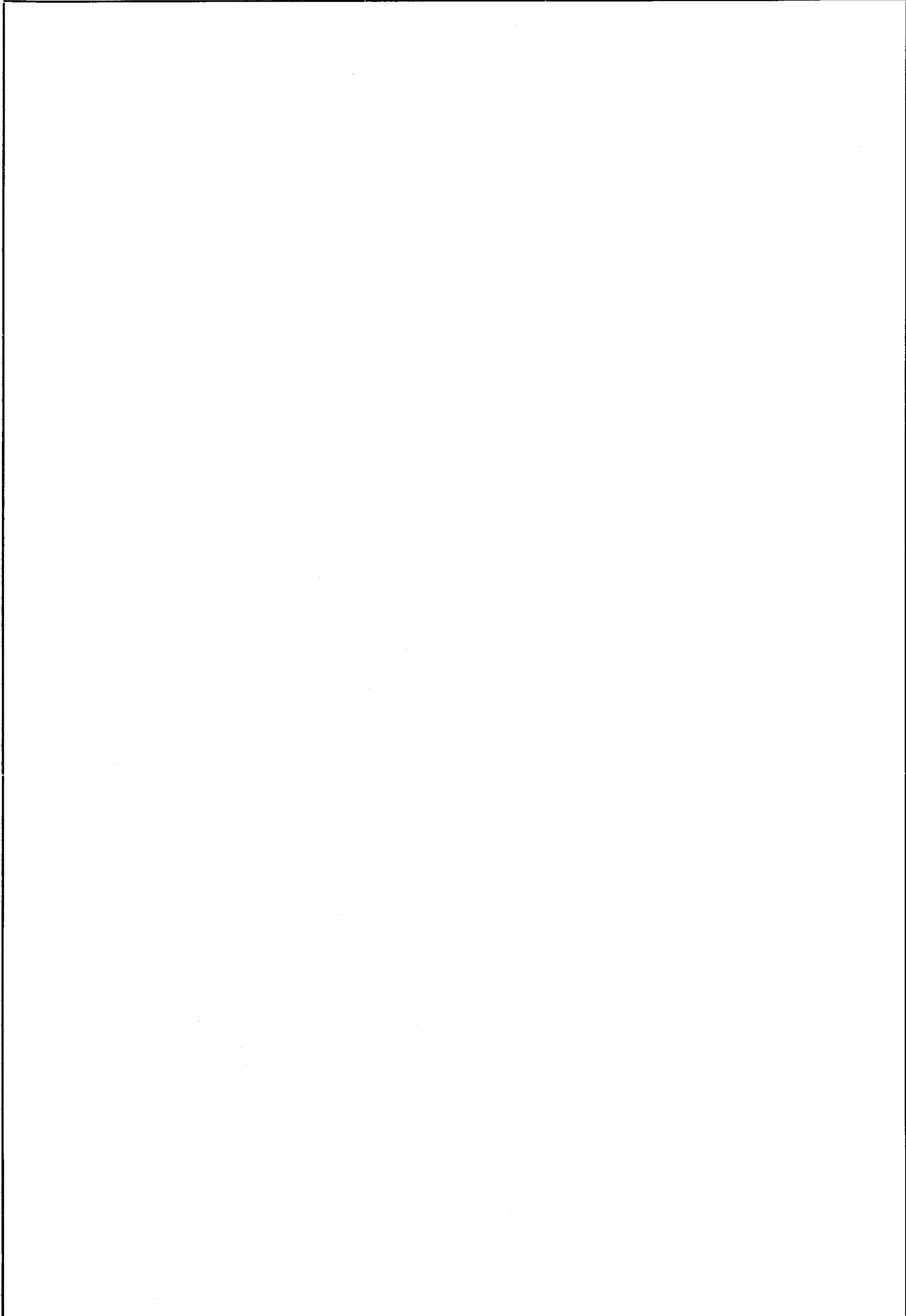
**Organizational Parts of the Pfaff 3335-0-5/2 (not ill.) (For standard parts please refer to the Pfaff 3335-0-5/1)**

- 24960** Feed cam, w/ No. 700082 Fastening screw for Nos. 21030; 22858  
No. 21030 Stop tripping segment  
No. 22858 Thread nipper tripping segment
- 24961** Knife cam
- 124329** Worm gear assembly, w/ No. 700680 Fastening screw, pointed  
No. 700689 Fastening screw, blunt

**Organizational Parts of the Pfaff 3335-0-5/3 (not ill.) (For standard parts please refer to the Pfaff 3335-0-5/1)**

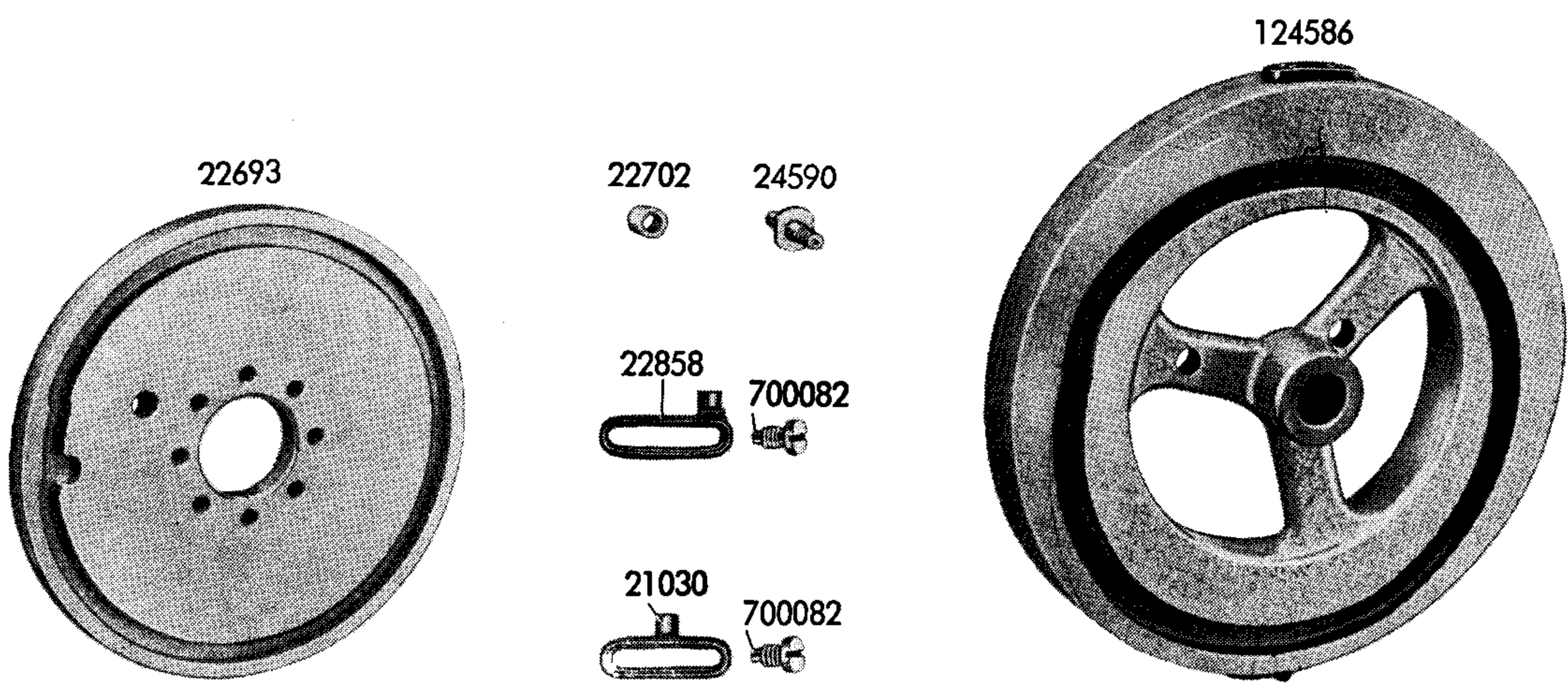
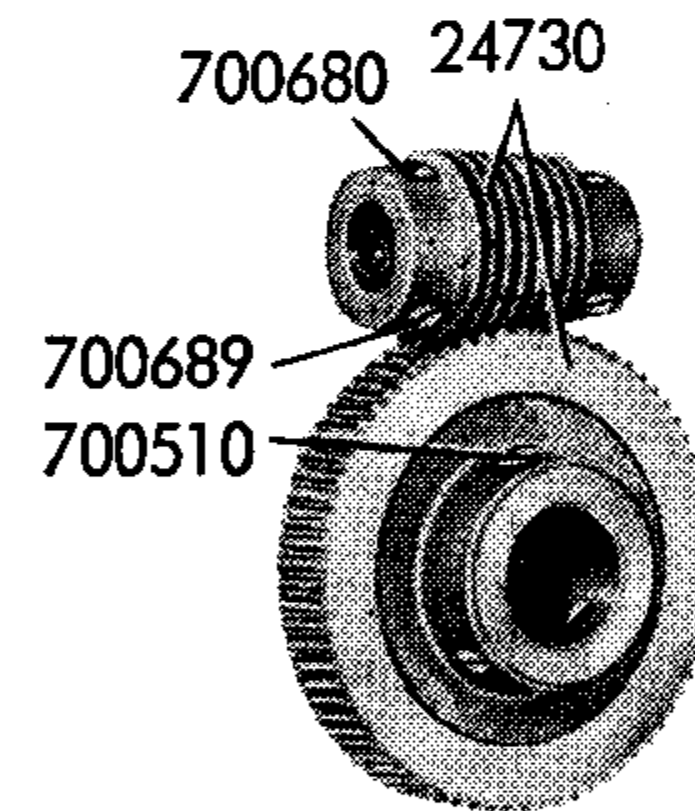
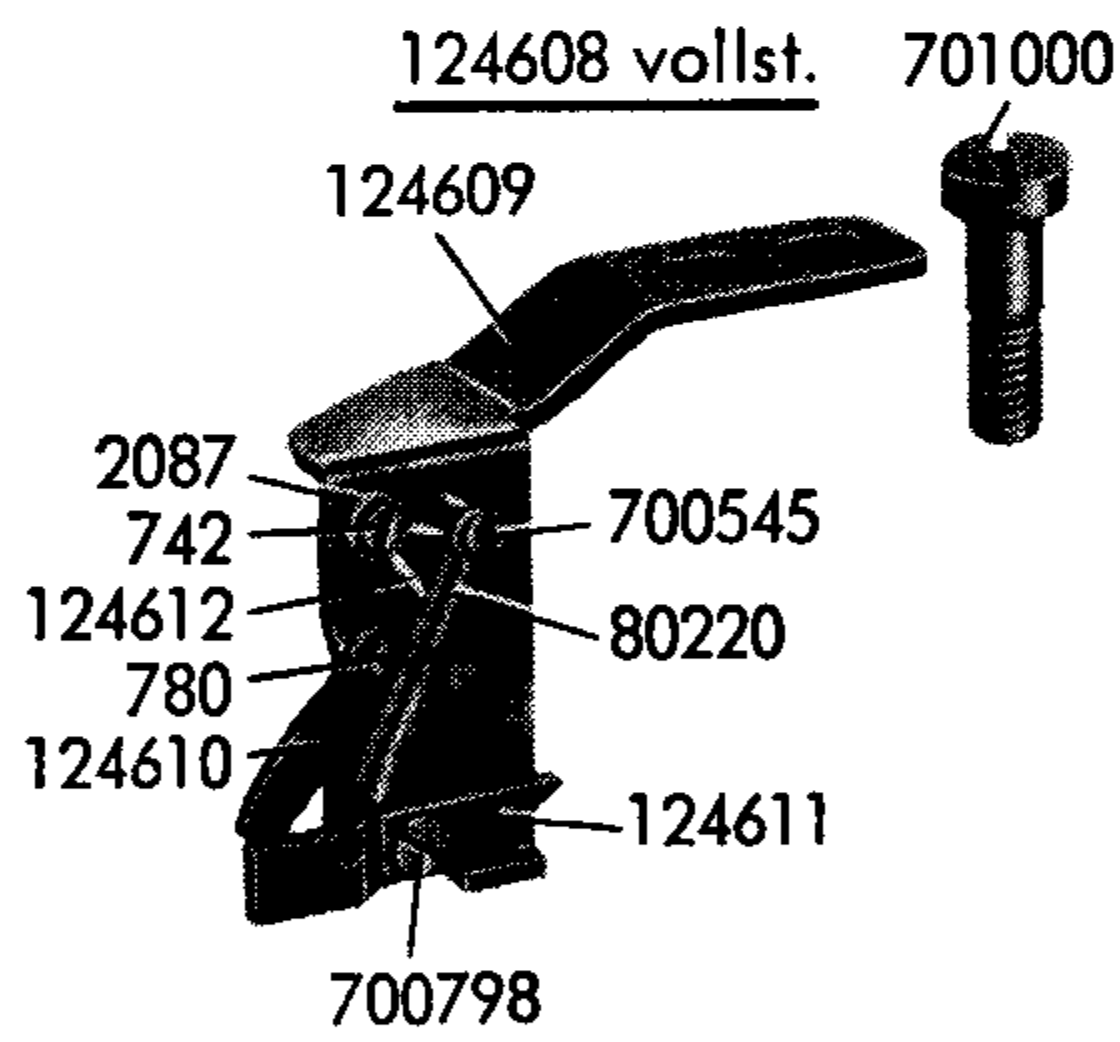
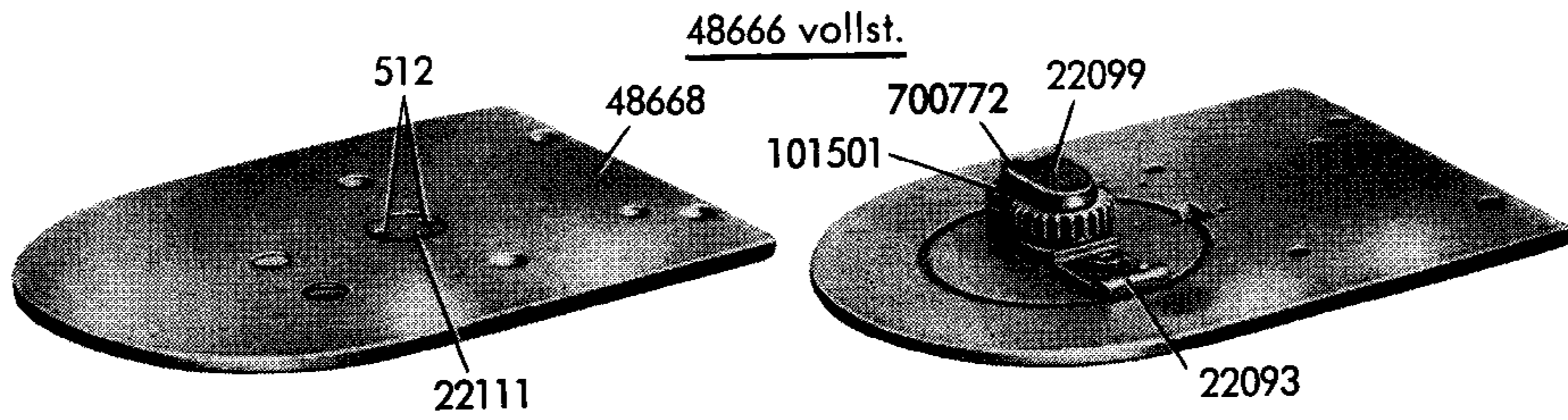
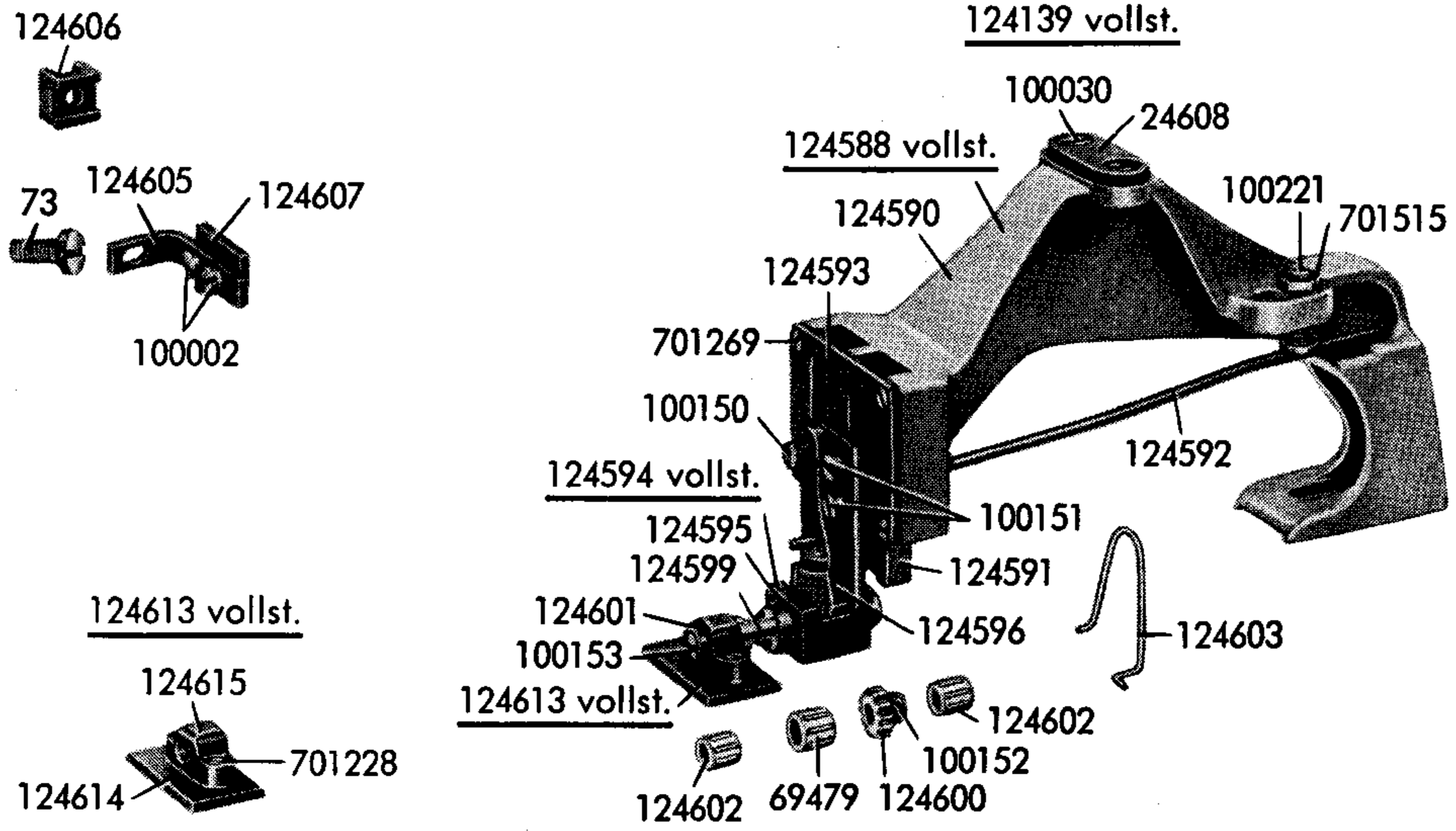
- 22858** Thread nipper tripping segment for No. 24962
- 22897** Knife cam
- 24731** Worm gear assembly, w/ No. 700680 Fastening screw, pointed  
No. 700689 Fastening screw, blunt
- 24962** Feed cam, w/ No. 700082 Fastening screw for Nos. 21030; 22858  
No. 21030 Stop tripping segment  
No. 22858 Thread nipper tripping segment







**Organizational Parts  
PFAFF 3335-0-317/1**



- 73 Fastening screw for Nos. 124605; 124606
- 700082 Fastening screw for Nos. 21030; 22858
- 700510 Fastening screw for worm wheel of No. 24730
- 512 Fastening screw for No. 22111
- 700545 Spring suspension screw for No. 124608
- 700680 Fastening screw, pointed for worm of No. 24730
- 700689 Fastening screw, blunt, for worm of No. 24730
- 742 Positioning screw for No. 124612
- 700772 Fastening screw for No. 22099
- 780 Hinge screw for No. 124610
- 700798 Hinge screw for No. 124611
- 701000 Fastening screw for No. 124608
- 701228 Fastening screw for No. 124614
- 701269 Fastening screw for No. 124593
- 701515 Nut for No. 100221
- 2087 Washer for No. 124612
- 21030 Stop tripping segment for No. 124586
- 22093 Knife carrier for No. 48666
- 22099 Knife holder pinion stud bracket for No. 48666
- 22111 Needle plate insert for No. 48666
- 22693 Knife cam
- ★ 22702 Roller for No. 124586  
(Orders should specify the number indicated on the face side: 1 = 9.84 mm, or .3873"; 2 = 9.86 mm, or .3881"; 3 = 9.88 mm, or .3889" dia.)
- 22858 Thread nipper tripping segment for No. 124586
- 24590 Roller stud for No. 22702
- 24608 Slide plate for No. 124588
- 24730 Worm gear assembly, w/  
No. 700510 Fastening screw for worm wheel  
No. 700680 Fastening screw, pointed, for worm  
No. 700689 Fastening screw, blunt, for worm
- 48666 Needle plate, complete, consisting of Nos. 512; 700772; 22093; 22099; 22111; 48668; 101501
- 48668 Needle plate for No. 48666
- 69479 Needle bearing, front, for No. 124594
- 80220 Tension spring for No. 124608
- 100002 Fastening screw for No. 124607
- 100030 Fastening screw for No. 24608
- 100150 Hinge screw for No. 124596
- 100151 Fastening screw for No. 124594
- 100152 Fastening screw for No. 124600
- 100153 Fastening screw for No. 124601
- 100221 Regulating screw for No. 124588
- 101501 Nut for No. 700772
- 124139 x 37 x 19 Work clamp, w/work presser plate, complete, consisting of Nos. 124588, complete; 124594 x 8, complete; 124602; 124613, complete
- 124586 Feed cam w/  
No 700082 Fastening screw for Nos. 21030; 22858  
No. 21030 Stop tripping segment  
No. 22858 Thread nipper tripping segment
- 124588 Work clamp, complete, consisting of Nos. 701269; 701515; 24608; 100030; 100221; 124590; 124591; 124592; 124593
- 124590 Work clamp frame for No. 124588
- 124591 Reversing mechanism bracket for No. 124588
- 124592 Pressure spring for No. 124588
- 124593 Work clamp face plate for No. 124588
- 124594 x 8 Cam stud reversing mechanism, complete, consisting of Nos. 69479; 100150; 100151; 100152; 100153; 124595; 124596; 124599 x 8; 124600; 124601; 124602; 124603
- 124595 Cam stud bracket for No. 124594
- ★ 124596 Reversing lever for No. 124594
- 124599 x 8 Cam stud for No. 124594
- 124600 Spur gear for No. 124594
- 124601 Washer for No. 124594
- 124602 Needle bearing, rear, for Nos. 124594; 124613
- 124603 Pressure spring for No. 124594
- 124605 Clamp foot lifting lever
- 124606 Bracket for No. 124605
- 124607 Stop for No. 124596
- 124608 Starting lever interlocking mechanism, complete, consisting of Nos. 700545; 742; 780; 700798; 2087; 80220; 124609; 124610; 124611; 124612
- 124609 Bracket for No. 124608
- 124610 Latch for No. 124608
- 124611 Locking lever for No. 124608
- 124612 Torsion spring for No. 124608
- 124613 x 37 x 19 Work presser plate, complete, consisting of Nos. 701228; 124614 x 37 x 19; 124615
- 124614 x 37 x 19 Work presser plate, for No. 124613
- 124615 Bearing bracket for No. 124613

**Table of Organizational Parts  
PFAFF 3335-0-317/1  
through /32**

1) Table of Subclass Varieties of the

(For standard parts see page IX)

Part Name	/1	/2	/3	/4	/5
Work clamp, w/ work presser plate, complete	124139 x 37 x 19	124139 x 47 x 24	124165 x 40 x 11	124139 x 40 x 28	124139 x 47 x 15,5
Cam stud reversing mechanism, complete	124594 x 8	124594 x 8	124594 x 4	124594 x 8	124594 x 8
Cam stud	124599 x 8	124599 x 8	124599 x 4	124599 x 8	124599 x 8
Work presser plate, complete	124613 x 37 x 19	124613 x 47 x 24		124613 x 40 x 28	124613 x 47 x 15,5
Work presser plate	124614 x 37 x 19	124614 x 47 x 24	124623 x 40 x 11	124614 x 40 x 28	124614 x 47 x 15,5
Worm gear assembly, w/ set screws	24730	124086	24730	124086	124086
Knife cam	22693	124085	22693	124085	124085
Feed cam, w/ tripping segments and tripping segment set screws	124586	124616	124619	124624	124627
Thread nipper tripping segment	22858	24780	22858	24780	24780
Feed cam roller	<sup>2)</sup> ★ 22702	<sup>2)</sup> ★ 22702	<sup>2)</sup> ★ 22702	<sup>2)</sup> ★ 22702	<sup>2)</sup> ★ 22702
Roller stud	24590	24590	24590	24590	24590

Part Name	/19	/20	/21	/22	/23
Work clamp, w/ work presser plate, complete	124139 x 48 x 30	124139 x 37 x 21	124139 x 43 x 22	124845 x 40,4 x 13,6 x 31,4	124849
Cam stud reversing mechanism, complete	124594 x 8	124594 x 8	124594 x 8	124594 x 8	124594 x 4
Cam stud	124599 x 8	124599 x 8	124599 x 8	124599 x 8	124599 x 4
Work presser plate, complete	124613 x 48 x 30	124613 x 37 x 21	124613 x 43 x 22	124665 x 40,4 x 13,6 x 31,4	
Work presser plate	124614 x 48 x 30	124614 x 37 x 21	124614 x 43 x 22	124666 x 40,4 x 13,6 x 31,4	124668
Worm gear assembly, w/ set screws	124086	124086	24731	24771	24731
Knife cam	124085	124085	22573	24770	22573
Feed cam, w/ tripping segments and tripping segment set screws	124655	124658	124661	124664	124667
Thread nipper tripping segment	24780	24780	22858	24780	22858
Feed cam roller	<sup>2)</sup> ★ 22702	<sup>2)</sup> ★ 22702	<sup>3)</sup> 21065	<sup>2)</sup> ★ 22702	<sup>3)</sup> 21065
Roller stud	24590	24590	124150	24590	124150

<sup>1)</sup> To convert a machine from one variety to another one listed in this table, compare both varieties and order the parts accordingly.  
<sup>2)</sup> Orders should specify the number indicated on the face side: 1 = 9.84 mm, or .3873"; 2 = 9.86 mm, or .3881".  
<sup>3)</sup> Orders should specify the number of dots on the face side: 1 x = 12.70 mm, or .4999" dia.; 2 x = 12.72 mm, or .5008" dia.  
★ See obsolete parts on page IX

**he Pfaff 3335-0-317**

age VIII)

Variety and Part Number								
/6	/7	/8	/9	/10	/11	/12	/14	/15
124165 x 43 x 12	124139 x 38 x 16,5	124139 x 48 x 23	124139 x 49 x 21	124139 x 32 x 26	124139 x 45 x 16	124139 x 48 x 28	124165 x 34 x 12	124139 x 42 x 16
124594 x 4	124594 x 8	124594 x 8	124594 x 8	124594 x 8	124594 x 8	124594 x 8	124594 x 4	124594 x 8
124599 x 4	124599 x 8	124599 x 8	124599 x 8	124599 x 8	124599 x 8	124599 x 8	124599 x 4	124599 x 8
	124613 x 38 x 16,5	124613 x 48 x 23	124613 x 49 x 21	124613 x 32 x 26	124613 x 45 x 16	124613 x 48 x 28		124613 x 42 x 16
124623 x 43 x 12	124614 x 38 x 16,5	124614 x 48 x 23	124614 x 49 x 21	124614 x 32 x 26	124614 x 45 x 16	124614 x 48 x 28	124623 x 34 x 12	124614 x 42 x 16
24730	124086	124086	124086	24730	124086	124086	24730	24730
22693	124085	124085	124085	22693	124085	124085	22693	124085
124630	124632	124635	124638	124641	124644	124647	124650	124652
22858	24780	24780	24780	22858	24780	24780	22858	22858
<sup>2)</sup> ★ 22702	<sup>2)</sup> ★ 22702	<sup>2)</sup> ★ 22702	<sup>2)</sup> ★ 22702	<sup>2)</sup> ★ 22702	<sup>2)</sup> ★ 22702	<sup>2)</sup> ★ 22702	<sup>2)</sup> ★ 22702	<sup>2)</sup> ★ 22702
24590	24590	24590	24590	24590	24590	24590	24590	24590

Variety and Part Number								
/24	/25	/26	/27	/28	/29	/30	/31	/32
124139 x 29 x 28	124139 x 47 x 24	124139 x 22 x 25	124139 x 21 x 21	124139 x 28 x 24	124139 x 28 x 17	124139 x 27 x 11	124845 x 35,5 x 11,5 x 34	124139 x 34 x 34
124594 x 8	124594 x 8	124594 x 8	124594 x 8	124594 x 8	124594 x 8	124594 x 8	124594 x 8	124594 x 8
124599 x 8	124599 x 8	124599 x 8	124599 x 8	124599 x 8	124599 x 8	124599 x 8	124599 x 8	124599 x 8
124613 x 29 x 28	124613 x 47 x 24	124613 x 22 x 25	124613 x 21 x 21	124613 x 28 x 24	124613 x 28 x 17	124613 x 27 x 11	124665 x 35,5 x 11,5 x 34	124613 x 34 x 34
124614 x 29 x 28	124614 x 47 x 24	124614 x 22 x 25	124614 x 21 x 21	124614 x 28 x 24	124614 x 28 x 17	124614 x 27 x 11	124666 x 35,5 x 11,5 x 34	124614 x 34 x 34
24730	24771	24730	24730	24730	24730	24731	24730	24730
22693	24770	22693	22693	22693	22693	22573	22693	22693
124669	122618	122619	122620	122621	122622	122623	122624	122625
22858	24780	22858	22858	22858	22858	22858	22858	22858
<sup>2)</sup> ★ 22702	<sup>2)</sup> 22702	<sup>2)</sup> 22702	<sup>2)</sup> 22702	<sup>2)</sup> 22702	<sup>2)</sup> 22702	<sup>3)</sup> 21065	<sup>2)</sup> 22702	<sup>2)</sup> 22702
24590	24590	24590	24590	24590	24590	124150	24590	24590

order the parts that differ.

r .3881" ; 3 = 9.88 mm, or .3889" dia.

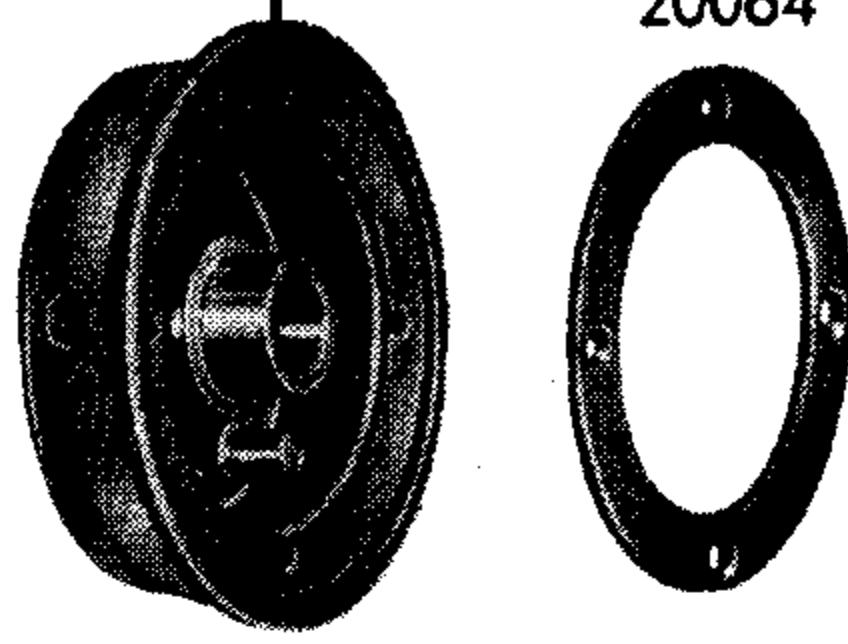
mm, or .5007" dia.; 3x = 12.74 mm, or .5015" dia.; 4x = 12.76 mm, or .5023" dia.

**Obsolete Parts  
PFAFF 3335-0**

20112 vollst.

20057

20064



1759

2160

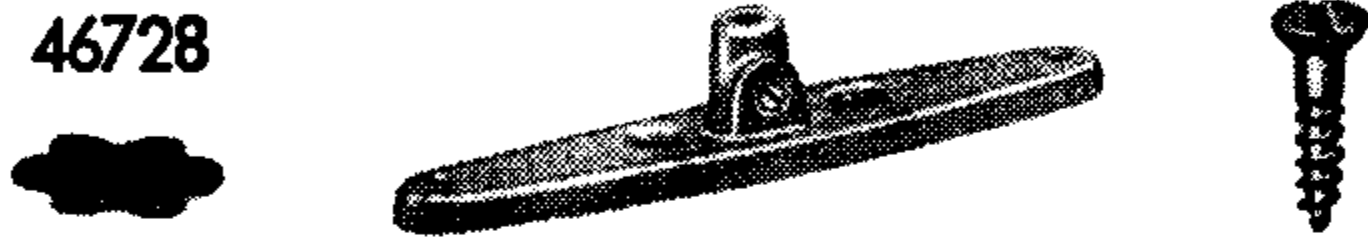
2161



46728

44196

1411



24035 vollst.

2280 vollst.

24269

124596

6662

2139

2138

495599

100026

249

22991

2133

22531

604

124598

2280 vollst.



2513

101795

701329

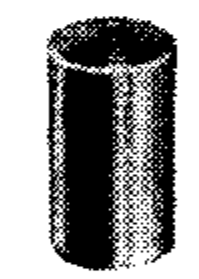
700169

700798

1317

101796

69809



803

273

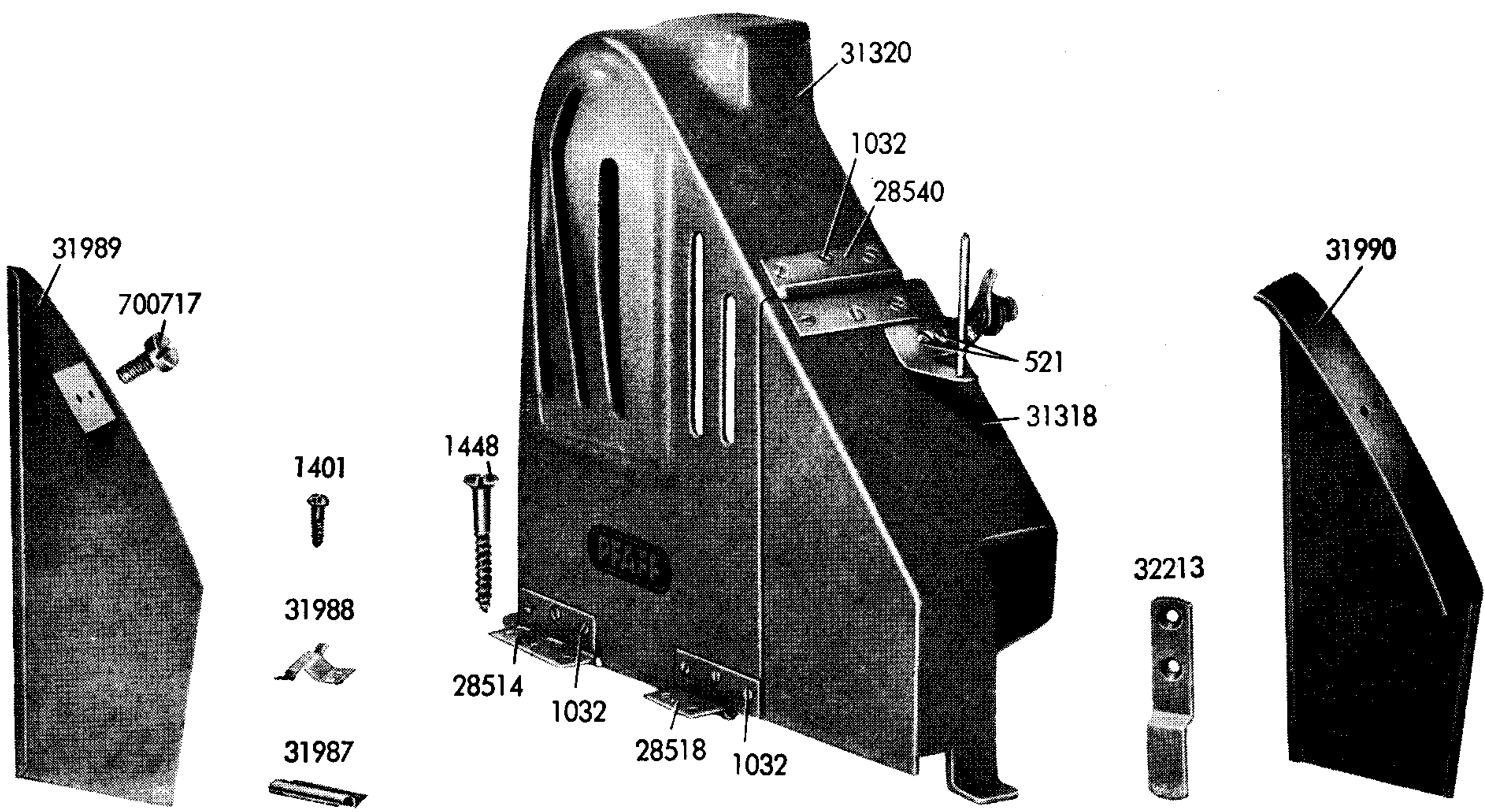
407

701316

700785



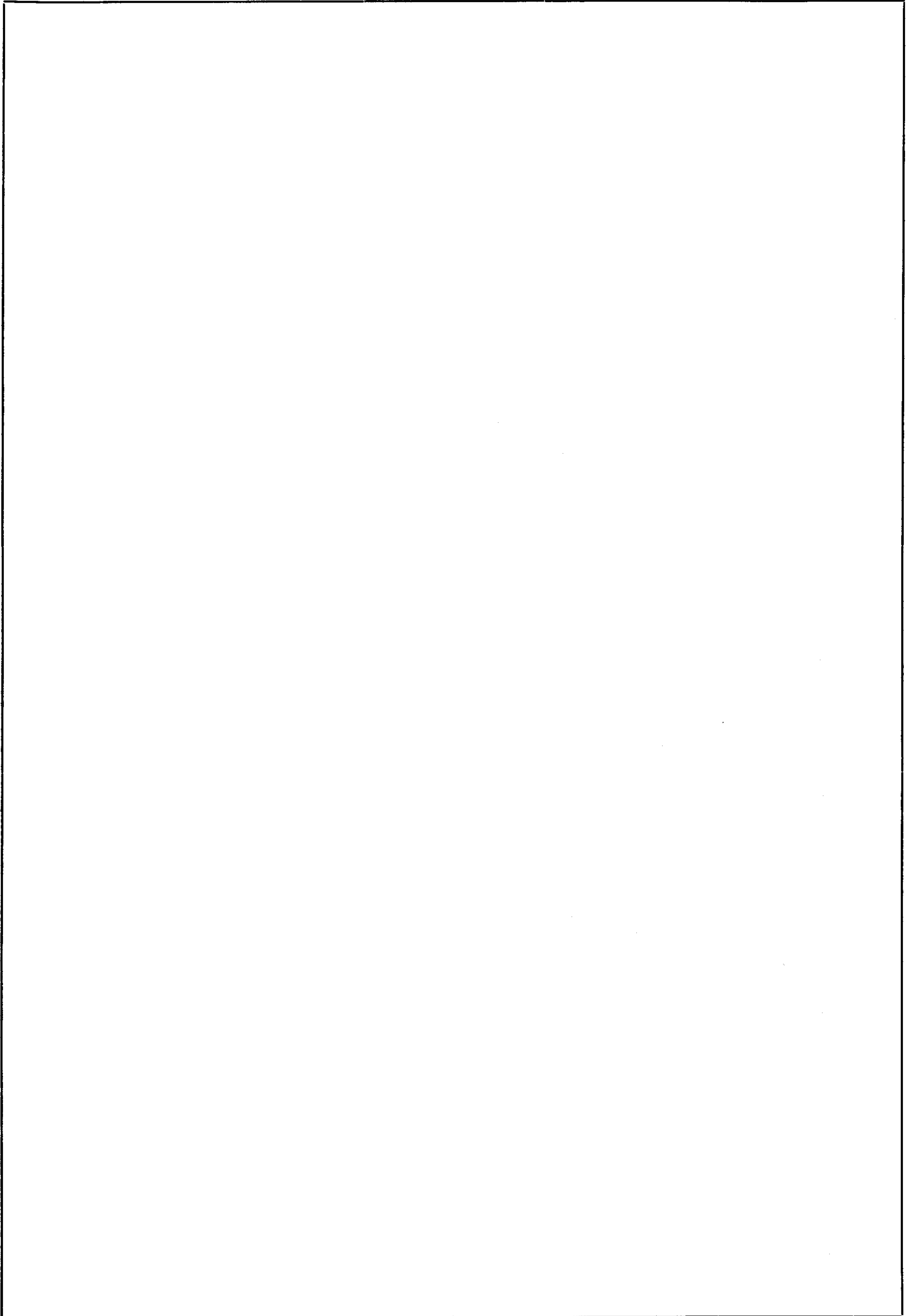
31395 vollst.





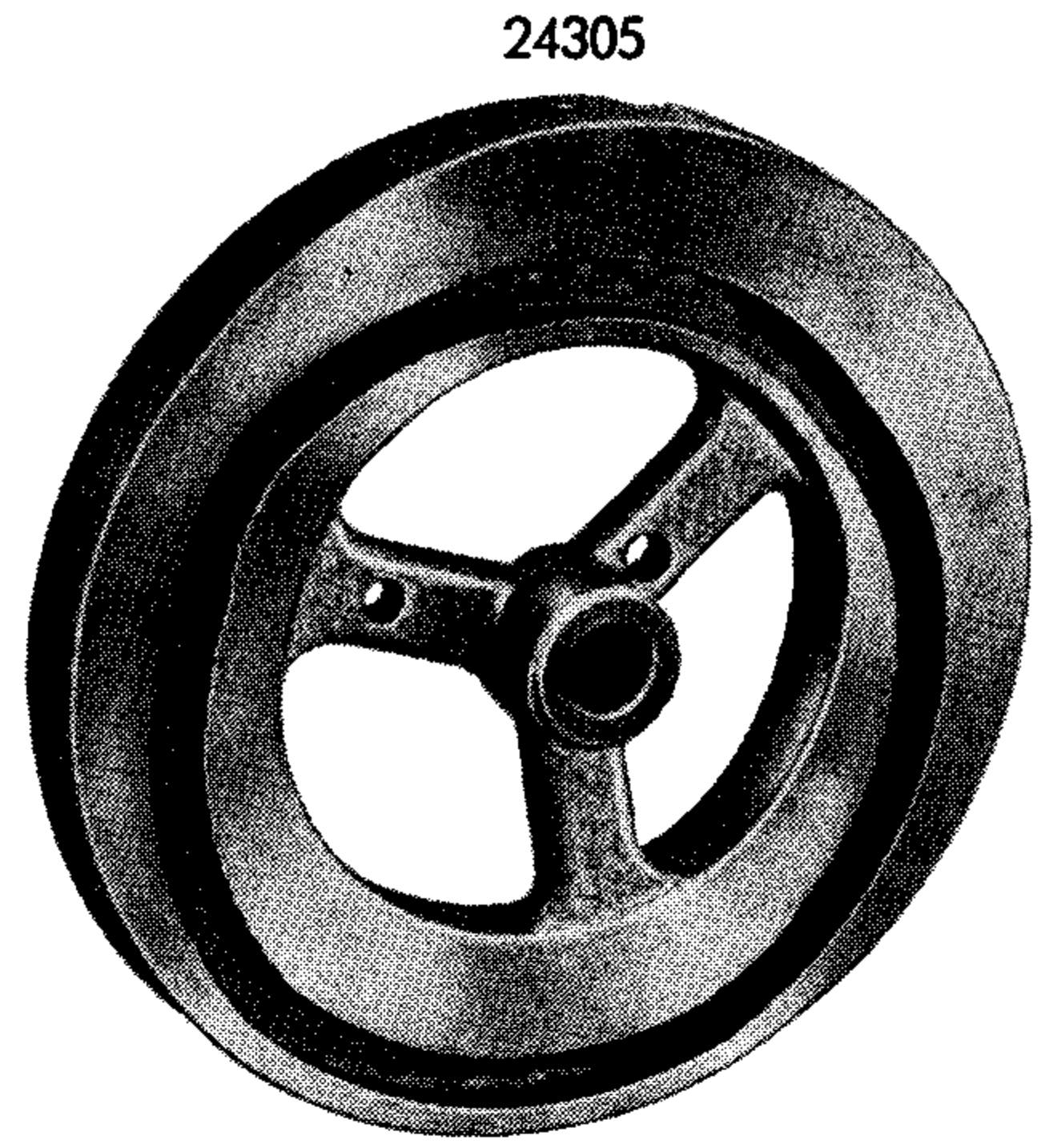
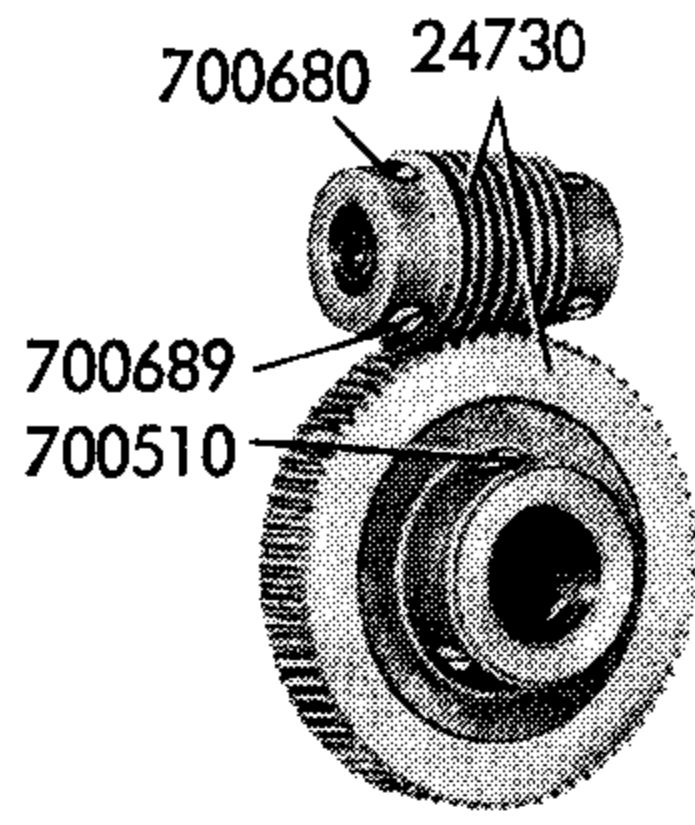
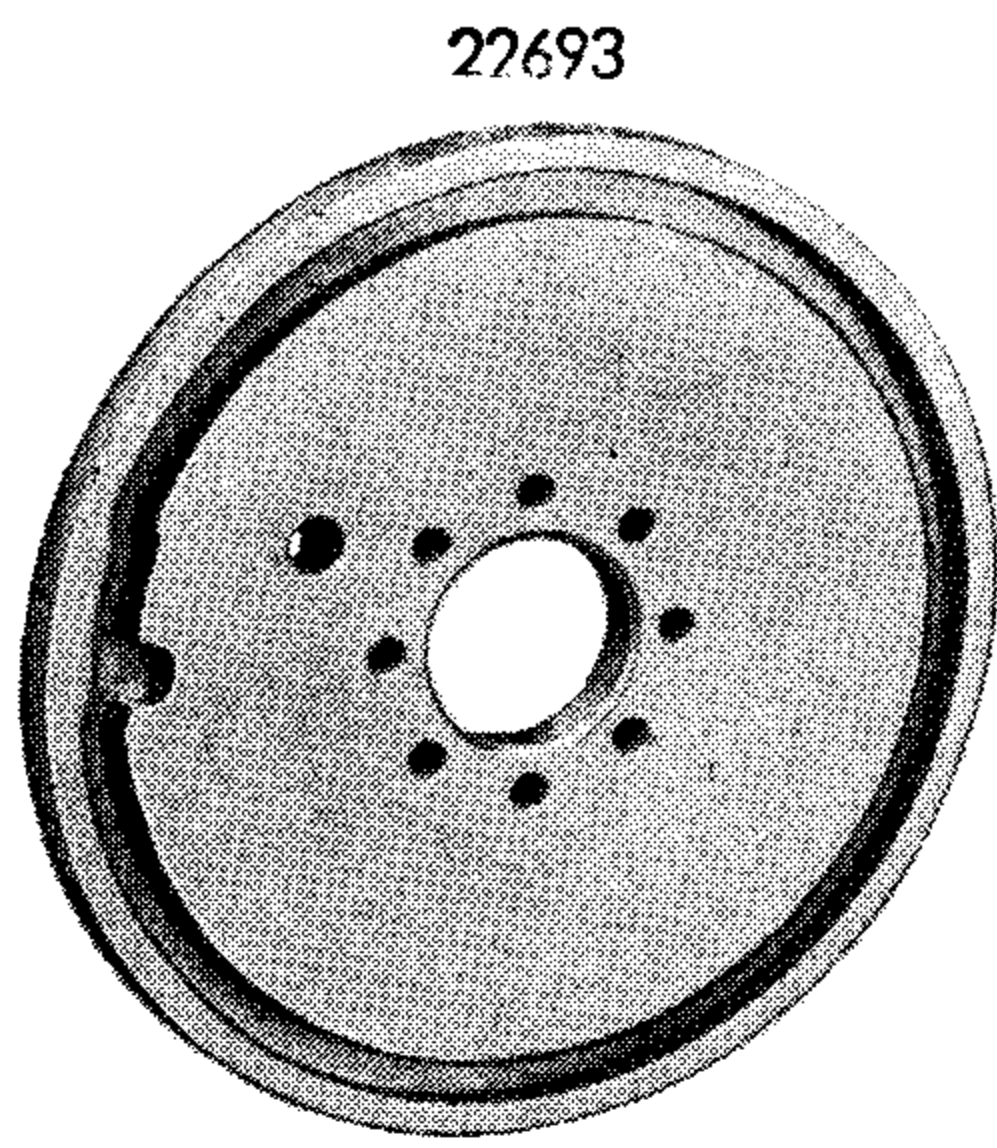
The number marked with an asterisk is no additional order number, but merely an aid to facilitate locating the obsolete part in this catalogue. Your orders should indicate the bold-type order number of the parts desired.

- (★ 701269) **700169** Fastening screw (taper head for No. 24616
- (★ 100086) **249** Stop screw for No. 2133
- (★ 701378) **273** Fastening screw (9,4 mm, or .37" long) for thread unwinder base
- (★ 153) **407** Fastening screw for No. 46566
- (★ 701286) **521** Fastening screw for thread tension No. 31395
- 604** Fastening screw for No. 22531
- (★ 701286) **700717** Fastening screw for No. 31989
- (★ 700230) **700785** Fastening screw (M5 thread) for No. 24598
- (★ 700565) **700798** Hinge screw (8 mm, or 5/16" head dia.) for No. 22975
- (★ 701378) **803** Fastening screw (9.0 mm, or .35" long) for thread unwinder base
- 1032** Fastening screw for Nos. 28514; 28518; 28540
- (★ 700152) **701316** Fastening screw (M 4 thread) for No. 24582
- (★ 700230) **701316** Fastening screw (M 4 thread) for No. 24583
- (★ 100213) **1317** End screw for No. 22313
- (★ 701387) **701329** Fastening screw (M 4 thread) for No. 24596
- 1401** Wood screw for Nos. 31987; 31988
- (★ 1417) **1411** Wood screw for No. 44196
- 1448** Wood screw for Nos. 28514; 28518
- (★ 598) **1759** Slide block stud for No. 6569
- (★ 6848) **2133** Bobbin case latch slide for No. 2280
- (★ 6849) **2138** Bobbin case latch lever for No. 2280
- (★ 101798) **2139** Hinge pin for No. 2280
- (★ 6644) **2160** Washer for No. 6569
- (★ 589) **2161** Positioning pin for No. 6569
- (★ 6847) **2280** Bobbin case latch complete, consisting of Nos. 2133; 2138; 2139
- (★ 101885) **2513** Positioning pin (small dia: 3.3 mm, or .13") for No. 22042
- (★ 6892) **6662** Tension spring for No. 24035
- (★ 20658) **20057** Driving pulley for No. 20112
- (★ 20659) **20064** Cap ring for No. 20057
- (★ 20658) **20112** Driving pulley, complete, (w/ 4 tapped holes for attaching No. 20064)
- (★ 22530) **22531** Catch for No. 22530
- (★ 24424) **22991** Bobbin case for No. 24035
- (★ 24423) **24035** Bobbin case, complete, (replaced by No. 24423)
- (★ 24622) **24269** Work clamp foot bracket (6 mm, or 1/4" thick) for No. 24615
- (★ 32300) **28514** Hinge for No. 31320
- (★ 32300) **28518** Hinge for No. 31320
- 28540** Hinge for Nos. 31318; 31320
- (★ 31986) **31318** Belt guard section (replaced by Nos. 701286; 1435; 31986, complete; 32215; 32218; 32302; 32303, complete; 69047)
- (★ 31986) **31320** Belt guard section (replaced by Nos. 701286; 1435; 31986, complete; 32215; 32218; 32302; 32303, complete; 69047)
- (★ 32299) **31395** Belt guard, w/ thread tension, complete, (replaced by Nos. 701286; 1435; 31986, complete; 32215; 32218; 32302; 32303, complete; 69047)
- (★ 32300) **31987** Position spring for No. 31986
- (★ 32300) **31988** Position spring for No. 31986
- (★ 32302) **31989** Baffle plate (1st version) for No. 32299; (replaced by Nos. 701286; 31990; 32218)
- (★ 32302) **31990** Baffle plate (2nd version), w/ 35 mm (1 3/8")-wide mounting surface for No. 32299
- (★ 32300) **32213** Position strap for No. 31986
- (★ 29960) **44196** Thread unwinder base
- (★ 46694) **46728** Friction washer (felt) for No. 44196
- (★ 6571) **69809** Plug for borehole, for No. 6571
- 100026** Fastening screw for No. 124598
- (★ 24621) **101795** Fulcrum stud, upper, for No. 24597
- (★ 22702) **101796** Roller (10 mm, or 25/64" outside dia.) for feed cam
- (★ 124596) **124596** Reversing lever (1st version) for No. 124594; (replaced by No. 124596, 2nd version)
- (★ 124596) **124598** Toothed segment for No. 124594; (replaced by No. 124596; 2nd version)
- (★ 24510) **495599** Spacer for No. 24510
- (★ 101824) **6531** Positioning pin (not ill.), (small dia: 6.5 mm, or 1/4"), for cylinder arm No. 24578



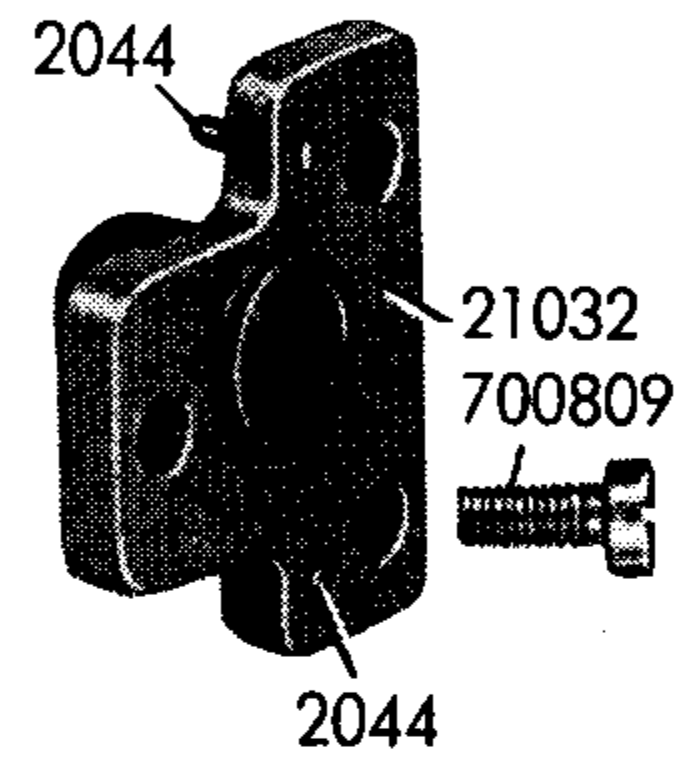
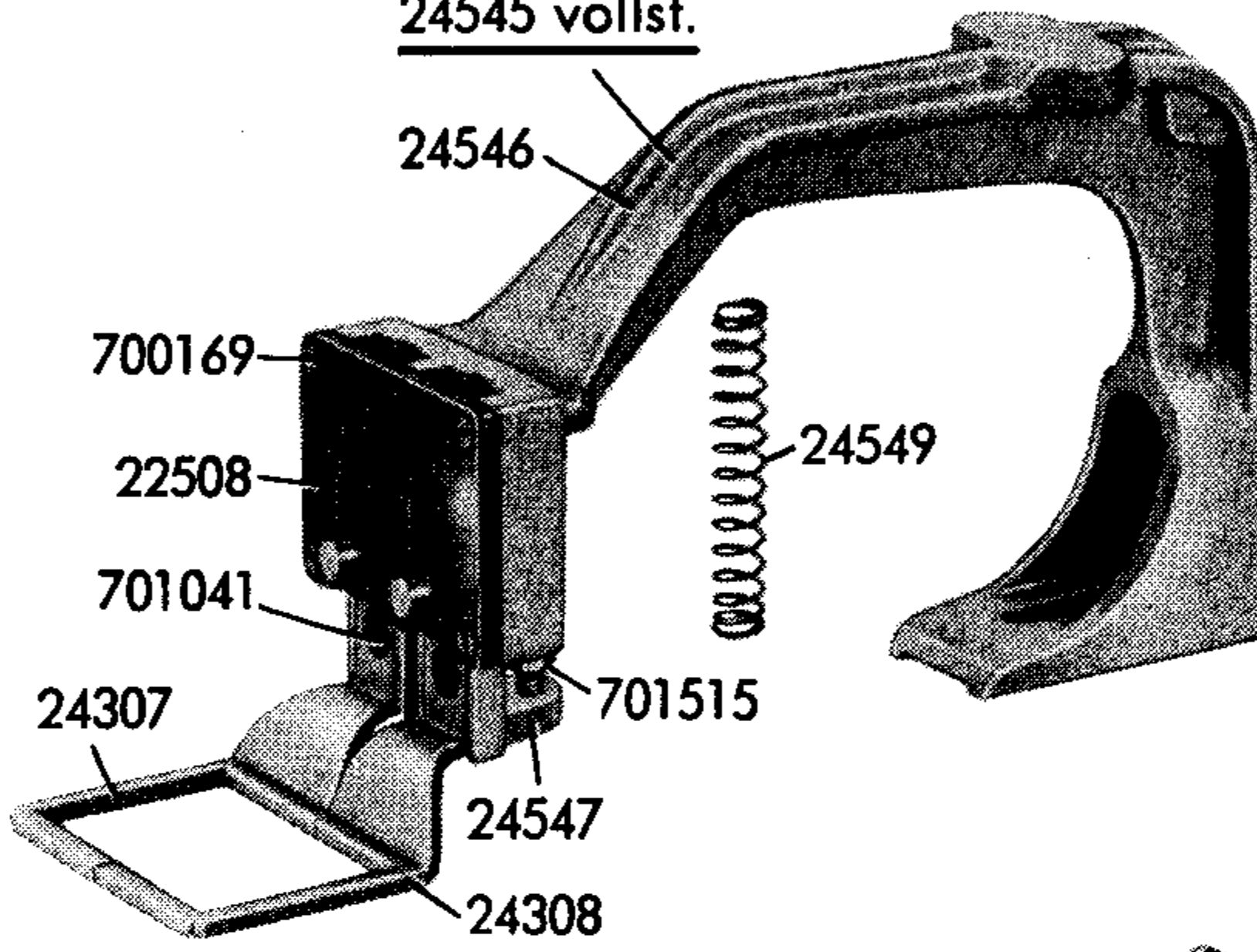
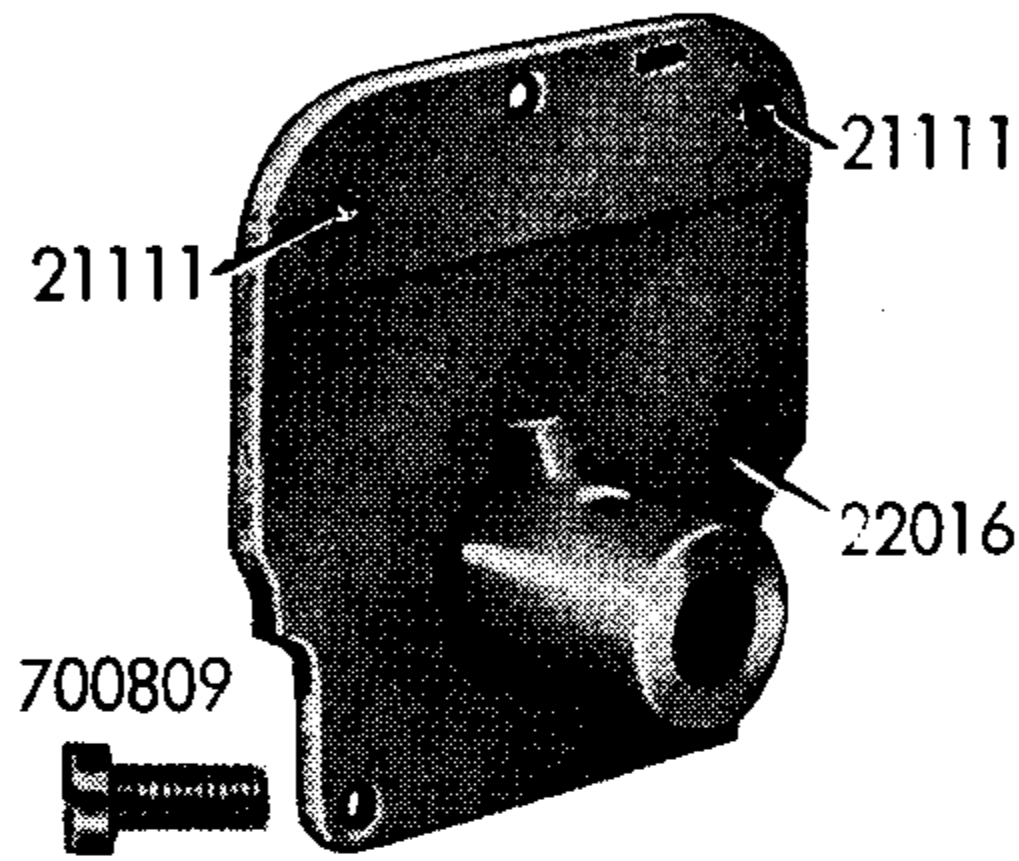
**X**

**Organizational Parts  
PFAFF 3335-300  
(obsolete)**

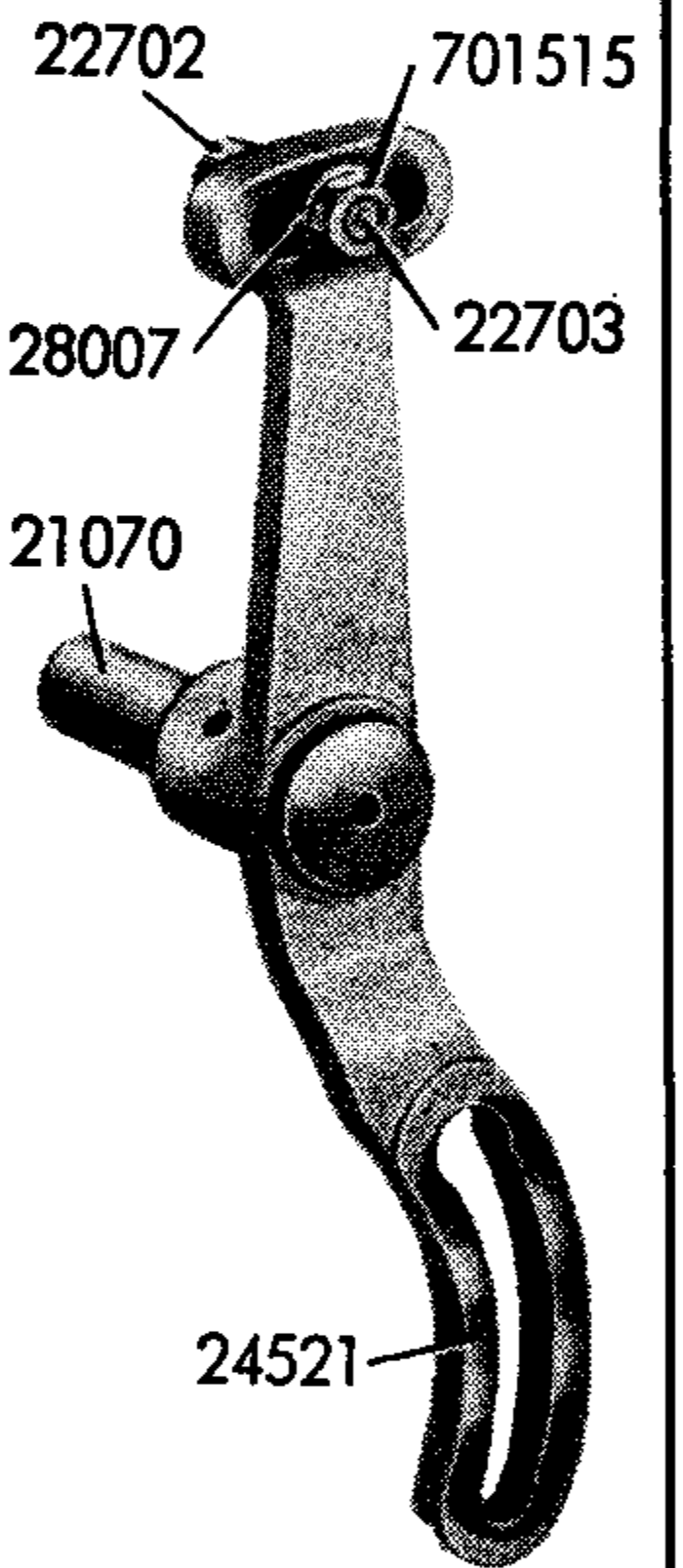
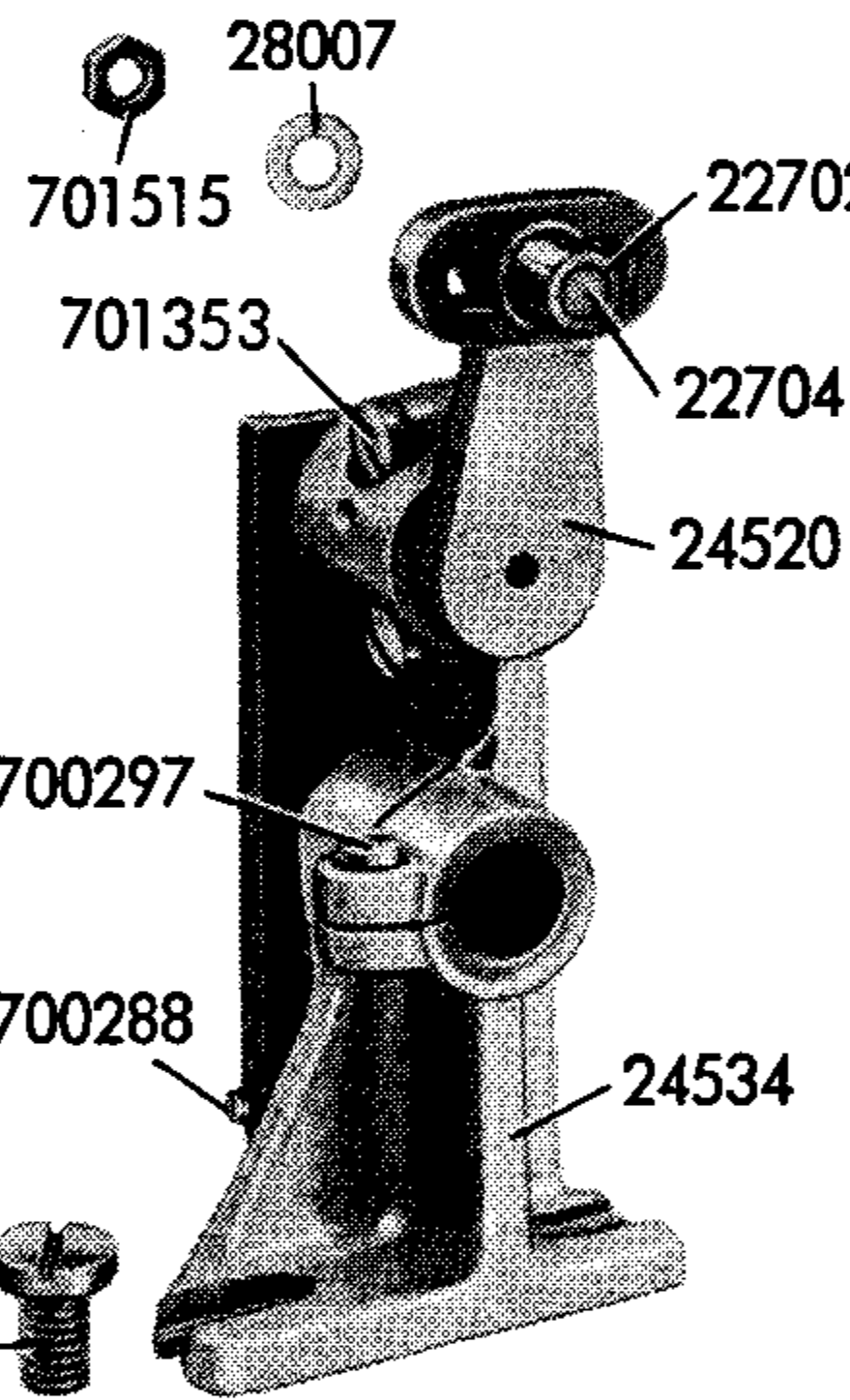
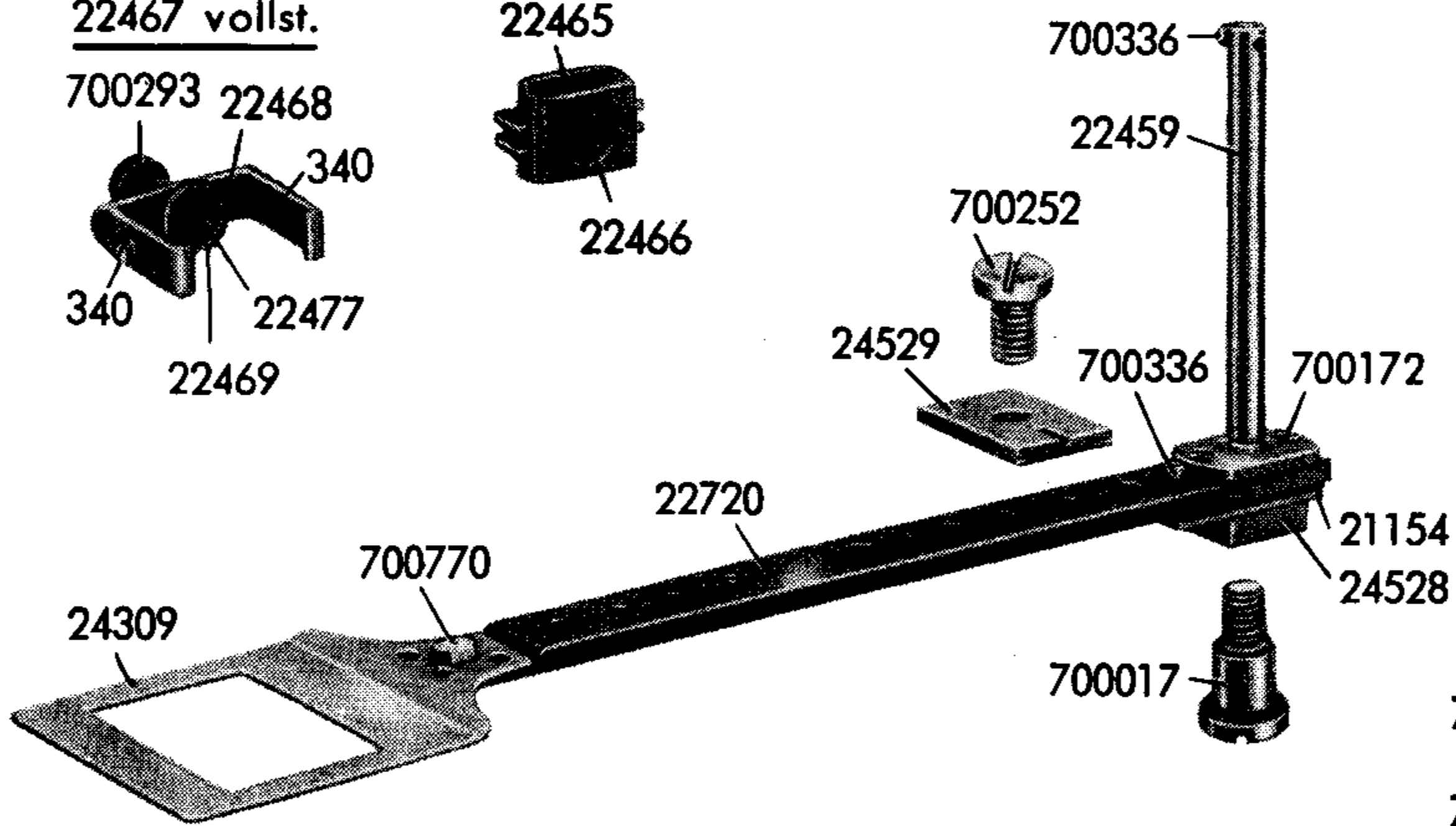
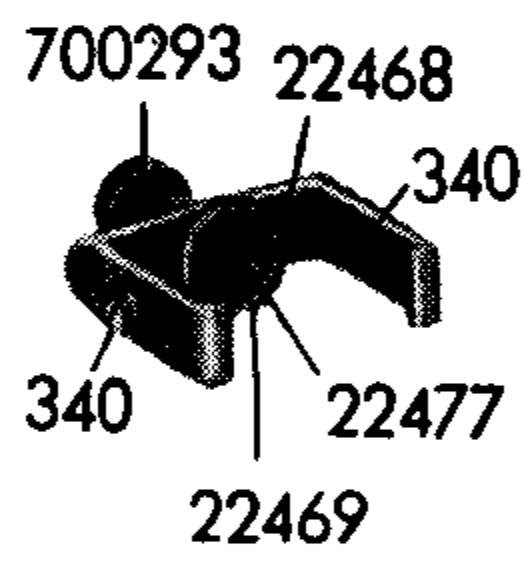
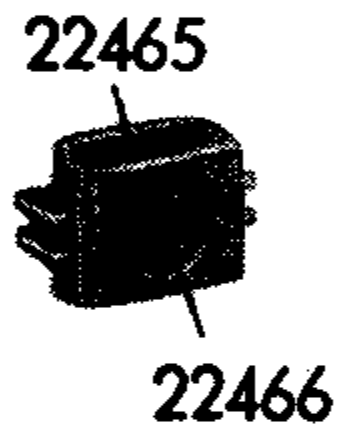


24565 vollst.

24545 vollst.



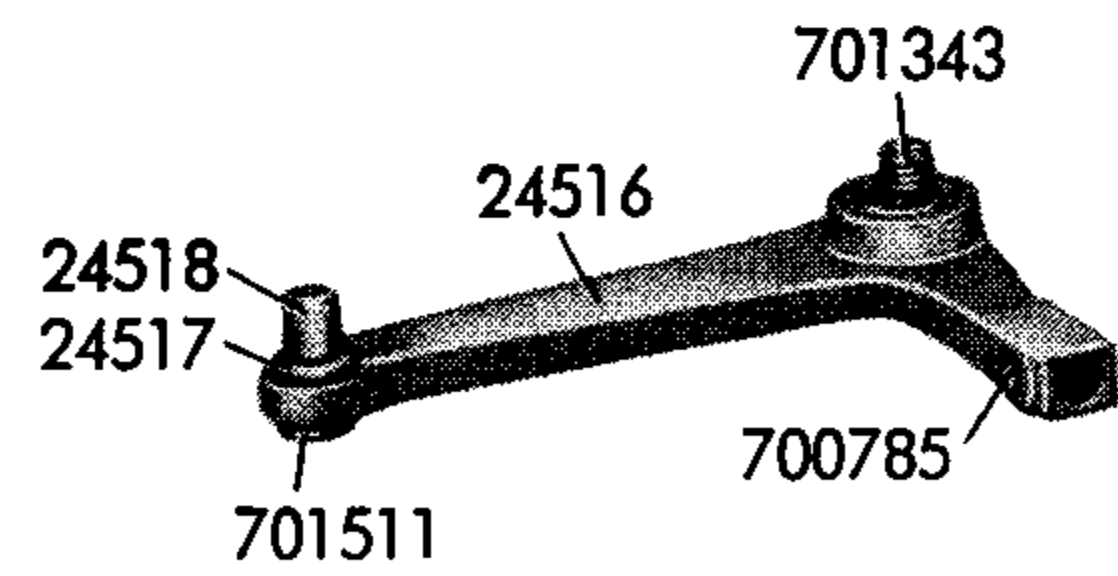
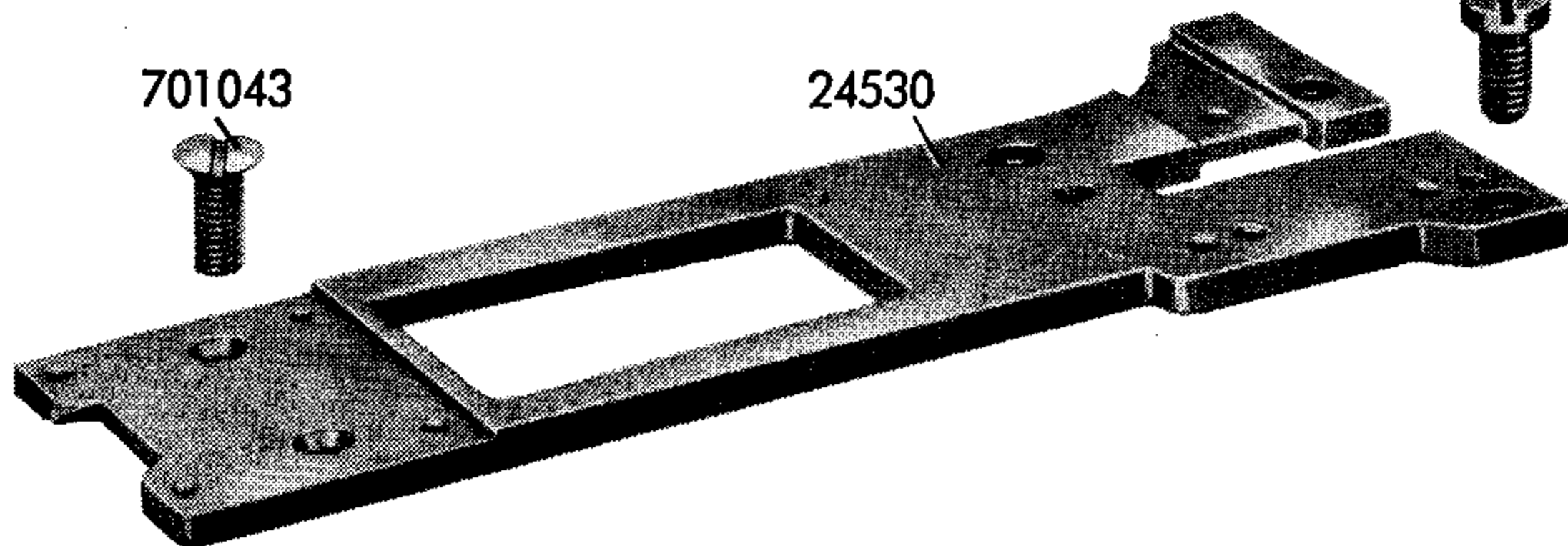
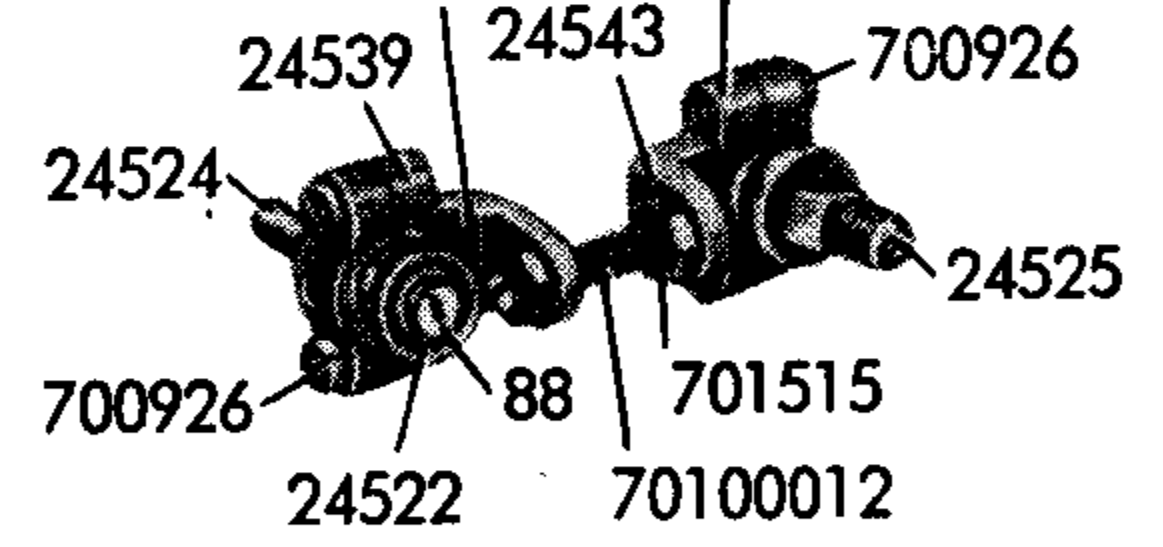
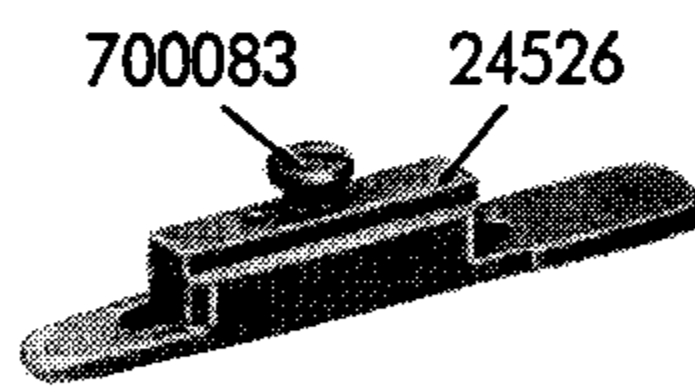
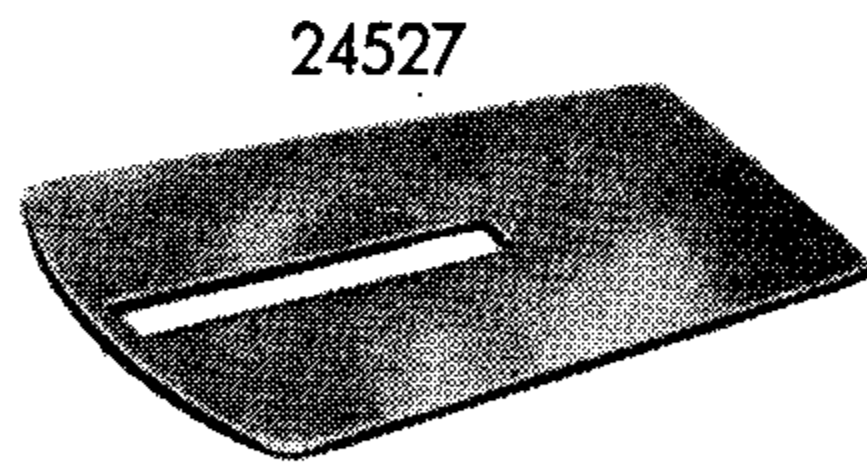
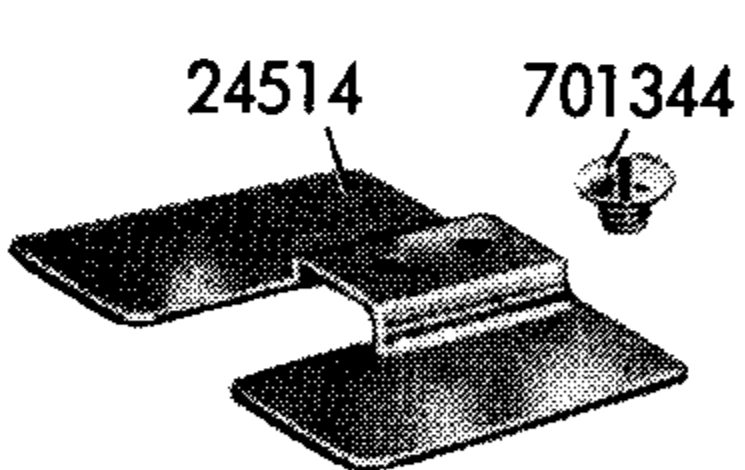
22467 vollst.



24537 vollst.

24538 vollst.

24542 vollst.



22058



- 700017** Hinge screw for No. 24528  
**700083** Fastening screw for No. 24526  
**88** Fastening screw for No. 24522  
**700169** Fastening screw for No. 22508  
**700172** Fastening screw for No. 22459  
**700252** Fastening screw for Nos. 24529; 24534  
**700288** Fastening screw for No. 24191 and stop screw for No. 24520 (for large tacks)  
**700293** Thumb screw for No. 22467  
**700297** Binding screw for No. 24534  
**700336** Fastening screw for No. 21154 and stop screw for No. 22459  
**340** Positioning screw for No. 22467  
**700510** Fastening screw for worm wheel of No. 24730  
**700680** Fastening screw, pointed, for worm of No. 24730  
**700689** Fastening screw, blunt, for worm of No. 24730  
**700691** Fastening screw for No. 24530  
**700770** Fastening screw for No. 24309  
**700785** Fastening screw for No. 24524  
**700809** Fastening screw for Nos. 21032; 22016  
**700926** Fastening screw for cap of Nos. 24539; 24543  
**701041** Fastening screw for Nos. 24307; 24308  
**701043** Fastening screw for No. 24530  
**701343** Hinge screw for No. 24516  
**701344** Fastening screw for No. 24514  
**701353** Fastening screw for bearing cap of No. 24534  
**701511** Nut for No. 24517  
**701515** Nut for Nos. 22703; 22704; 70100012 and regulating nut for No. 24549  
**2044** Positioning pin for No. 21032  
**2513** Positioning pin for No. 22042 (see page II)  
**21032** Worm wheel shaft bearing bracket, front  
**21070** Hinge stud for No. 24521  
**21083** Tripping dog for No. 22701 (see page III)  
**21111** Positioning pin for No. 22016  
**21154** Guide plate for No. 22720  
**22016** Worm wheel shaft bearing bracket, rear  
**22058** Shuttle driver shaft  
**22459** Feed regulator post for No. 22720  
**22465** Feed regulator swivel for No. 22466  
**22466** Hinge stud for No. 22459  
**22467** Swivel clamp for No. 22465, complete, consisting of Nos. 700293; 340; 22468; 22469; 22477  
**22468** Swivel clamp for No. 22467  
**22469** Thrust washer for No. 22467  
**22477** Circlip for No. 22467  
**22508** Work clamp face plate for No. 24545  
**22693** Knife cam (as seen from reverse side)  
**22702** Roller for Nos. 24520; 24521 (Orders should specify the number indicated on the face side: 1 = 9.84 mm, or .3873"; 2 = 9.86 mm, or .3881"; 3 = 9.88 mm, or .3889" dia.)  
**22703** Roller stud for No. 24521  
**22704** Roller stud for No. 24520  
**22720** Feed plate carrier bar for Nos. 24309; 24565  
**22858** Thread nipper tripping segment for No. 24305  
**24191** Stop for No. 24520 (For small tacks, to be fitted when mounted on machine)  
**24305** Feed cam  
**24307** Work clamp foot, left  
**24308** Work clamp foot, right  
**24309** Feed plate  
**24514** Cover for No. 22720  
**24516** Feed across driving lever for No. 22720  
**24517** Roller stud for No. 24518  
**24518** Roller for No. 24516 (Orders should specify the number of lines on the bevelled face side: 1 line = 8.0 mm, or .3149"; 2 lines = 8.01 mm, or .3153"; 3 lines = 8.02 mm, or .3157" dia.)  
**24520** Feed regulator  
**24521** Feed across regulator  
**24522** Washer (2nd version) for No. 24539  
**24524** Ball stud for No. 24538  
**24525** Ball screw stud for No. 24542  
**24526** Feed across driving block for No. 22720  
**24527** Guide plate for No. 22720  
**24528** Slide block for No. 22720  
**24529** Guide plate for No. 22720  
**24530** Cylinder arm top cover for No. 24501  
**24534** Bearing bracket for Nos. 24520; 24521, with No. 700297 Binding screw No. 701353 Fastening screw  
**24537** Ball joint connection, complete, consisting of Nos. 701515; 24538, complete; 24542, complete; 70100012  
**24538** Ball joint for No. 24537, complete, consisting of Nos. 88; 24522; 24524; 24539  
**24539** Ball joint end bearing, w/fastening screw No. 700926, for No. 24538  
**24541** Guide fork (1st version) for No. 24539  
**24542** Ball joint for No. 24537, complete, consisting of Nos. 24525; 24543  
**24543** Ball joint end bearing, w/fastening screw No. 700926, for No. 24542  
**24545** Work clamp, complete, consisting of Nos. 700169; 701041; 701515; 22508; 24546; 24547; 24549  
**24546** Work clamp frame for No. 24545  
**24547** Work clamp foot bracket for No. 24545  
**24549** Pressure spring for No. 24545  
**24565** Work clamp, w/work clamp feet, complete, consisting of Nos. 24307; 24308; 24545, complete  
**24730** Worm gear assembly, w/ No. 700510 Fastening screw for worm wheel No. 700680 Fastening screw, pointed, for worm No. 700689 Fastening screw, blunt, for worm  
**28007** Washer for No. 701515  
**70100012** Connecting screw for Nos. 24538; 24542  
**22000** Armt (not ill.)  
**24501** Cylinder arm (not ill.)  
**701063** Fastening screw (not ill.) for No. 24501  
**6531** Positioning pin (not ill.) for No. 24501

**Table of Organizational Parts  
PFAFF 3335-300 through -309  
(obsolete)**

# 1) Table of Organizational Parts for the Sul

(For standard parts see page

Part Name	-300	-301	-302	-303/1
Work clamp, w/ work clamp feet, complete	24565	24566	24567	24568
Work clamp, complete	24545	24545	24545	24296
Work clamp frame	24546	24546	24546	24531
Threaded stud for work clamp frame				22252
Work clamp foot bracket	24547	24547	24547	24269
Pressure spring for work clamp foot bracket	24549	24549	24549	
Pressure spring for work clamp foot bracket, left				24532
Pressure spring for work clamp foot bracket, right				24533
Pressure spring regulating nut	701515	701515	701515	701508
Work clamp foot, left	24307	24286	24291	
Work clamp foot, right	24308	24287	24292	
Work clamp foot				24297
Feed plate carrier bar	22720	22064	22720	22720
Feed plate	24309	24288	24293	24301
Worm gear assembly w/ set screws	24730	24732	24730	24730
Knife cam	22693	22230	22693	22783
Feed cam	24305	24283	24289	24294
Thread nipper tripping segment	22858	22454	22858	22858
Roller for feed regulator and feed across regulator	<sup>2)</sup> 22702	<sup>3)</sup> 21065	<sup>2)</sup> 22702	<sup>2)</sup> 22702
Feed across regulator roller stud	22703	21071	22703	22703
Feed regulator roller stud	22704	21064	22704	22704
Clamp foot lifting lever, complete	22859	22859	22859	24298

- 1) To convert a machine from one subclass to another one listed in this table, compare both subclasses and o  
2) Orders should specify the number indicated on the face side: 1 = 9.84 mm, or .3873"; 2 = 9.86 mm, or .38  
3) Orders should specify the number of dots on the face side: 1 x = 12.70 mm, or .4999" dia.; 2 x = 12.72 mm, c

# The Subclasses of the Pfaff 3335

page X)

Subclass and Part Number						
-303/2	-304	-305	-306	-307	-308	-309
24568	24569	24570	24571	24572	24573	24574
24296	24545	24545	24545	24545	24545	24545
24531	24546	24546	24546	24546	24546	24546
22252						
24269	24547	24547	24547	24547	24547	24547
	24549	24549	24549	24549	24549	24549
24532						
24533						
701508	701515	701515	701515	701515	701515	701515
		24316	24321	24326	24331	24336
		24317	24322	24327	24332	24337
24297	24312					
22720	22720	22720	22720	22720	22720	22064
24302	24313	24318	24323	24328	24333	24338
24730	24730	24731	24731	24731	24730	24732
22783	22693	22573	22573	22573	22693	22230
24294	24310	24314	24319	24324	24329	24334
22858	22858	22858	22858	22858	22858	22454
<sup>2)</sup> 22702	<sup>2)</sup> 22702	<sup>2)</sup> 22702	<sup>2)</sup> 22702	<sup>2)</sup> 22702	<sup>2)</sup> 22702	<sup>3)</sup> 21065
22703	22703	22703	22703	22703	22703	21071
22704	22704	22704	22704	22704	22704	21064
24298	22859	22859	22859	22859	22859	22859

and order the parts that differ.  
 or .3881" ; 3 = 9.88 mm, or .3889" dia.  
 mm, or .5007" dia.; 3x = 12.74 mm, or .5015" dia.; 4x = 12.76 mm, or .5023" dia.



## Numerical Index

3335 <b>1</b>	3335 <b>2</b>	3335 <b>3</b>	3335 <b>4</b>	3335 <b>5</b>	3335 <b>6</b>
Nr. Fig.	Nr. Fig.	Nr. Fig.	Nr. Fig.	Nr. Fig.	Nr. Fig.
11 II	700150 II	273 VI	437 I	687 V	700926 III
700011 VII	700150 III	+ 273 IX	456 II	700689 II	700926 VII
700017 III	700150 V	700277 II	510 I	700689 V	700926 X
700017 X	700150 VI	700288 I	700510 II	700689 VIII	700964 III
19 VII	700150 VII	700288 X	700510 VIII	700689 X	700965 III
29 II	700152 I	700293 X	700510 X	700691 X	700973 VII
700034 VII	700152 III	700297 III	511 II	715 VII	700983 VI
46 II	700152 V	700297 V	512 IV	717 III	700987 V
58 II	700152 VI	700297 X	512 VIII	700717 I	700988 V
700058 I	153 II	700323 III	+ 521 IX	+ 700717 IX	700990 III
700058 III	153 III	700335 V	700545 III	729 I	700991 V
62 VI	153 VI	700336 I	700545 VIII	737 VI	700991 VII
64 I	700153 I	700336 X	589 V	742 VIII	700996 V
700070 V	+ 700169 IX	340 X	700592 III	700770 X	700997 VII
73 I	700169 X	700352 III	598 V	700772 IV	701000 III
73 VI	700172 X	359 VI	+ 604 IX	700772 VI	701000 VIII
73 VIII	700173 I	363 VI	624 I	700772 VIII	701029 IV
700073 I	700173 IV	364 VI	700654 III	780 VIII	701031 VII
700073 VI	219 I	700364 II	700655 III	+ 700785 IX	+ 1032 IX
700073 VII	700230 III	700364 III	700659 III	700785 X	701039 VII
82 VI	700230 IV	700364 VII	700660 III	700798 VI	701041 IV
700082 II	700230 V	366 VI	700668 VII	700798 VIII	701041 VII
700082 VII	700243 II	700366 VII	700680 II	+ 700798 IX	701041 X
700082 VIII	+ 249 IX	367 II	700680 VIII	700799 IV	701043 X
700083 X	250 V	392 I	700680 X	+ 803 IX	701063 IV
87 II	700252 II	405 II	700681 I	700809 III	701063 X
88 X	700252 IV	407 III	700681 IV	700809 X	701099 IV
94 I	700252 VII	+ 407 IX	700681 VII	700865 II	701154 III
700150 I	700252 X	431 VI	700686 III	905 I	701195 VI

### Numerical Index

3335 <b>7</b>	3335 <b>8</b>	3335 <b>9</b>	3335 <b>10</b>	3335 <b>11</b>	3335 <b>12</b>
Nr. Fig.	Nr. Fig.	Nr. Fig.	Nr. Fig.	Nr. Fig.	Nr. Fig.
701199 III	701508 IV	701662 VII	2531 I	6616 I	10107 VI
1207 III	701508 V	701680 VII	2536 I	6632 I	10181 I
701216 III	701508 44a	701705 III	2536 III	6640 I	10183 I
701228 VIII	701511 III	701705 V	3005 I	6644 V	11126 III
1241 I	701511 VII	1759 III	4531 VI	+ 6662 IX	11126 V
701269 IV	701511 X	+ 1759 IX	5005 VI	6694 V	11176 III
701269 VIII	1512 II	1848 II	5125 VI	6764 V	11238 II
701278 IV	1512 V	1849 III	5544 I	6847 V	11903 III
701286 VI	1513 II	1864 III	5548 IV	6848 V	12526 III
+ 701316 IX	701513 VII	2030 V	5548 VII	6849 V	16328 III
+ 1317 IX	701515 II	2044 V	5564 VI	6892 V	17584 III
+ 701329 IX	701515 III	2044 X	5565 VI	7014 I	18358 II
701342 II	701515 VIII	2056 II	5566 VI	7015 I	18502 V
701342 V	701515 X	2061 I	5567 VI	7016 I	20002 II
701343 X	701515 44a	2065 I	5568 VI	7016 4	20030 III
701344 IV	1522 I	2087 VIII	5569 VI	7328 III	+ 20057 IX
701344 X	1529 VI	+ 2133 IX	6219 I	7329 II	20061 II
701353 X	1533 VI	2134 V	6523 I	7329 III	20062 II
701378 VI	1547 II	+ 2138 IX	6525 I	7705 I	20063 II
701386 IV	701548 VII	+ 2139 IX	6526 I	7718 I	+ 20064 IX
701387 IV	701563 V	2160 III	+ 6531 IX	8020 I	20065 III
701397 III	701578 III	+ 2160 IX	6531 X	8021 I	20066 III
+ 1401 IX	701628 VI	2161 III	6568 V	8618 I	20067 III
+ 1411 IX	1635 V	+ 2161 IX	6569 V	8648 I	20069 III
1416 VI	701635 II	2170 III	6570 V	8814 V	20085 III
1417 VI	1636 I	2264 III	6571 V	9149 V	20086 III
1418 VI	701638 II	+ 2280 IX	6601 V	9605 VII	+ 20112 IX
1435 VI	701658 III	+ 2513 IX	6611 I	9624 III	20205 II
+ 1448 IX	701662 III	2513 X	6615 V	10104 I	20265 III

### Numerical Index

3335 <b>13</b>	3335 <b>14</b>	3335 <b>15</b>	3335 <b>16</b>	3335 <b>17</b>	3335 <b>18</b>
Nr. Fig.	Nr. Fig.	Nr. Fig.	Nr. Fig.	Nr. Fig.	Nr. Fig.
20269 III	21065 44a	22009 II	22180 VII	22330 II	22513 III
20271 III	21070 X	22016 X	22181 VII	22331 II	22514 I
20272 II	21071 44a	22037 I	22182 VII	22332 II	22530 III
20273 V	21083 X	22042 II	22183 VII	22333 II	+ 22531 IX
20275 II	21093 III	22058 X	22184 VII	22334 II	22533 III
20276 II	21094 III	22059 II	22185 VII	22335 II	22539 4
20335 III	21095 III	22061 V	22187 VII	22388 I	22541 4
20338 I	21097 III	22063 V	22190 VII	22398 I	22542 4
20349 III	21111 II	22064 44a	22191 VII	22450 I	22565 V
20353 III	21111 X	22091 IV	22192 VII	22450 4	22566 V
20353 VII	21134 V	22093 IV	22193 VII	722451 I	722567 4
20361 I	21134 VII	22093 VIII	22194 VII	722451 4	22568 I
20363 I	21137 VII	22099 IV	22195 VII	22452 IV	22569 4
20386 III	21148 VII	22099 VIII	22196 VII	22453 IV	22573 36a
20387 III	21154 X	22104 I	22200 VII	22454 II	22573 44a
20396 III	21164 II	22111 4	22228 II	22454 VII	22586 III
20399 II	21195 II	22111 IV	22230 44a	22454 44a	22672 I
20467 III	21196 III	22111 VIII	22238 III	22455 I	22680 III
20481 III	21202 V	22115 I	22241 IV	22456 I	22681 VII
20565 VI	21208 II	22116 V	22252 IV	22459 X	22682 VII
20658 II	21302 VII	22122 I	22252 44a	22465 X	22683 VII
20659 II	21372 III	22122 4	22286 I	22466 X	22685 VII
21030 II	21372 V	22128 I	22312 II	22467 X	22686 VII
21030 VII	21485 VI	22162 V	22312 4	22468 X	22687 VII
21030 VIII	21486 VI	22171 III	22313 I	22469 X	22688 VII
21032 X	22000 X	22174 VII	22313 4	22477 X	22689 VII
21064 44a	22001 II	22175 VII	22325 I	22506 II	22693 VIII
21065 III	22003 III	22178 VII	22328 II	22508 X	22693 X
21065 36a	22004 III	22179 VII	22329 II	22512 III	22693 36a

### Numerical Index

3335 <b>19</b>	3335 <b>20</b>	3335 <b>21</b>	3335 <b>22</b>	3335 <b>23</b>	3335 <b>24</b>
Nr. Fig.	Nr. Fig.	Nr. Fig.	Nr. Fig.	Nr. Fig.	Nr. Fig.
22693 44a	22993 I	24308 44a	24501 X	24532 44a	24569 44a
22701 III	23005 V	24309 X	24502 V	24533 IV	24570 44a
22702 VIII	23019 III	24309 44a	24505 V	24533 44a	24571 44a
22702 X	24006 VII	24310 44a	24506 V	24534 X	24572 44a
22702 36a	+ 24035 IX	24312 44a	24507 V	24535 III	24573 44a
22702 44a	24048 V	24313 44a	24508 V	24536 V	24574 44a
22703 X	24191 X	24314 44a	24509 V	24537 X	24577 II
22703 44a	24254 V	24316 44a	24510 V	24538 X	24578 IV
22704 X	+ 24269 IX	24317 44a	24511 IV	24539 X	24582 V
22704 44a	24269 44a	24318 44a	24512 IV	24541 X	24583 V
22720 X	24283 44a	24319 44a	24513 IV	24542 X	24584 V
22720 44a	24286 44a	24321 44a	24514 X	24543 X	24585 V
22772 III	24287 44a	24322 44a	24515 4	24545 X	24586 III
22773 III	24288 44a	24323 44a	24515 IV	24545 44a	24586 IV
22775 I	24289 44a	24324 44a	24516 X	24546 X	24587 III
22776 4	24291 44a	24326 44a	24517 X	24546 44a	24588 III
22783 44a	24292 44a	24327 44a	24518 X	24547 X	24589 III
22858 VII	24293 44a	24328 44a	24520 X	24547 44a	24590 VIII
22858 VIII	24294 44a	24329 44a	24521 X	24549 X	24590 36a
22858 X	24296 44a	24331 44a	24522 X	24549 44a	24591 III
22858 36a	24297 44a	24332 44a	24524 X	24553 VI	24592 III
22858 44a	24298 44a	24333 44a	24525 X	24554 V	24593 III
22859 44a	24301 44a	24334 44a	24526 X	24557 4	24594 III
22860 I	24302 44a	24336 44a	24527 X	24557 IV	24595 III
22861 I	24305 X	24337 44a	24528 X	24565 X	24596 III
22897 VII	24305 44a	24338 44a	24529 X	24565 44a	24597 IV
22974 V	24307 X	24423 V	24530 X	24566 44a	24598 IV
22975 I	24307 44a	24424 V	24531 44a	24567 44a	24599 IV
+ 22991 IX	24308 X	24429 III	24532 IV	24568 44a	24601 V

## Numerical Index

3335 <b>25</b>	3335 <b>26</b>	3335 <b>27</b>	3335 <b>28</b>	3335 <b>29</b>	3335 <b>30</b>
Nr. Fig.	Nr. Fig.	Nr. Fig.	Nr. Fig.	Nr. Fig.	Nr. Fig.
24602 V	24935 IV	29371 VI	32215 VI	48668 4	100086 V
24604 IV	24936 IV	29520 VI	32218 VI	48668 VIII	100100 V
24605 II	24937 IV	29571 VI	32299 VI	50248 VII	100150 VIII
24606 II	24938 IV	29601 VI	32300 VI	50254 VII	100151 VIII
24607 IV	24939 IV	29683 VI	32302 VI	53591 VI	100152 VIII
24608 IV	24940 IV	29684 VI	32303 VI	53592 VI	100153 VIII
24608 VIII	24941 IV	29685 VI	32304 VI	53593 VI	100187 V
24611 IV	24942 IV	29686 VI	35461 VI	53594 VI	100213 I
24613 III	24950 VII	29840 VI	36153 VI	53595 VI	100217 I
24615 IV	24956 VII	29841 VI	36154 VI	53596 VI	100221 VIII
24616 IV	24959 VII	29959 VI	36155 VI	53597 VI	101501 IV
24619 V	24960 VII	29960 VI	36156 VI	53599 VI	101501 VI
24621 IV	24961 VII	30135 VI	36157 VI	61104 II	101501 VIII
24622 IV	24962 VII	30240 III	36158 VI	63048 I	+ 101795 IX
24623 IV	25165 II	30313 III	40623 VI	63049 I	+ 101796 IX
24730 VIII	25694 III	31251 VI	41062 VI	65543 4	101798 V
24730 X	25976 VI	+ 31318 IX	41065 VI	65546 4	101824 IV
24730 36a	25998 III	+ 31320 IX	41075 VI	65548 V	101885 II
24730 44a	26110 VI	+ 31395 IX	+ 44196 IX	69047 VI	105447 I
24731 VII	26179 VI	31559 VI	46366 VI	69479 VIII	122618 36a
24731 36a	28007 III	31560 VI	46367 VI	+ 69809 IX	122619 36a
24731 44a	28007 VII	31788 III	46566 VI	80220 VIII	122620 36a
24732 II	28007 X	31986 VI	46570 VI	98264 III	122621 36a
24732 44a	28043 VI	+ 31987 IX	46571 VI	98929 VI	122622 36a
24770 36a	28101 VII	+ 31988 IX	46598 VI	100002 VIII	122623 36a
24771 36a	28200 III	+ 31989 IX	46694 VI	70100012 X	122624 36a
24780 36a	+ 28514 IX	+ 31990 IX	+ 46728 IX	+ 100026 IX	122625 36a
24930 V	+ 28518 IX	+ 32213 IX	48666 4	100030 IV	123778 V
24934 II	+ 28540 IX	32214 VI	48666 VIII	100030 VIII	124085 36a

### Numerical Index

<small>3335</small> <b>31</b>	<small>3335</small> <b>32</b>	<small>3335</small> <b>33</b>	<small>3335</small> <b>34</b>	<small>3335</small> <b>35</b>	<small>3335</small> <b>36</b>
Nr. Fig.	Nr. Fig.	Nr. Fig.	Nr. Fig.	Nr. Fig.	Nr. Fig.
124086 36a	124603 VIII	124658 36a			
124139 VIII	124605 VIII	124661 36a			
124139 36a	124606 VIII	124664 36a			
124148 V	124607 VIII	124665 36a			
124149 III	124608 VIII	124666 36a			
124150 III	124609 VIII	124667 36a			
124150 36a	124610 VIII	124668 36a			
124165 36a	124611 VIII	124669 36a			
124329 VII	124612 VIII	124845 36a			
124347 4	124613 VIII	124849 36a			
124348 4	124613 36a	+ 495599 IX			
124586 VIII	124614 VIII				
124586 36a	124614 36a				
124588 VIII	124615 VIII				
124590 VIII	124616 36a				
124591 VIII	124619 36a				
124592 VIII	124623 36a				
124593 VIII	124624 36a				
124594 VIII	124627 36a				
124594 36a	124630 36a				
124595 VIII	124632 36a				
124596 VIII	124635 36a				
+ 124596 IX	124638 36a				
+ 124598 IX	124641 36a				
124599 VIII	124644 36a				
124599 36a	124647 36a				
124600 VIII	124650 36a				
124601 VIII	124652 36a				
124602 VIII	124655 36a				



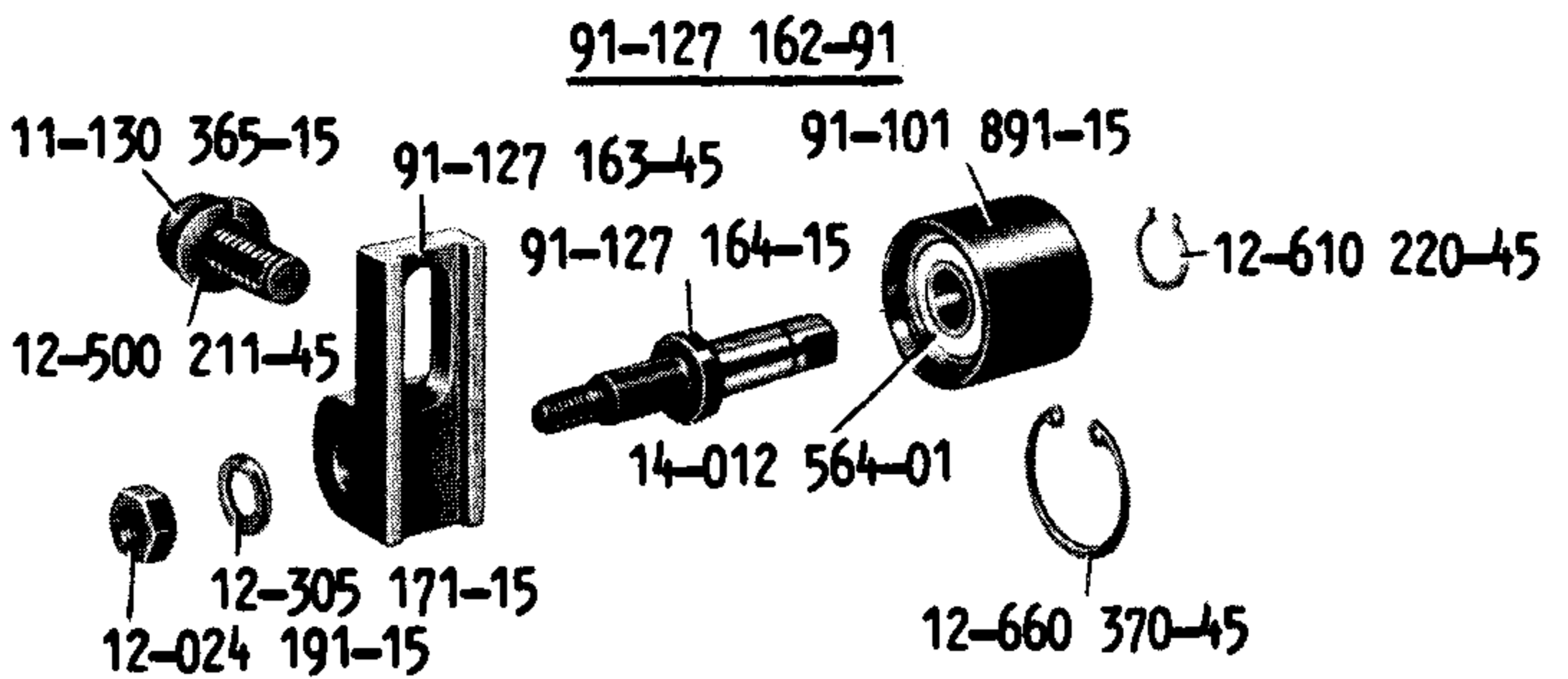
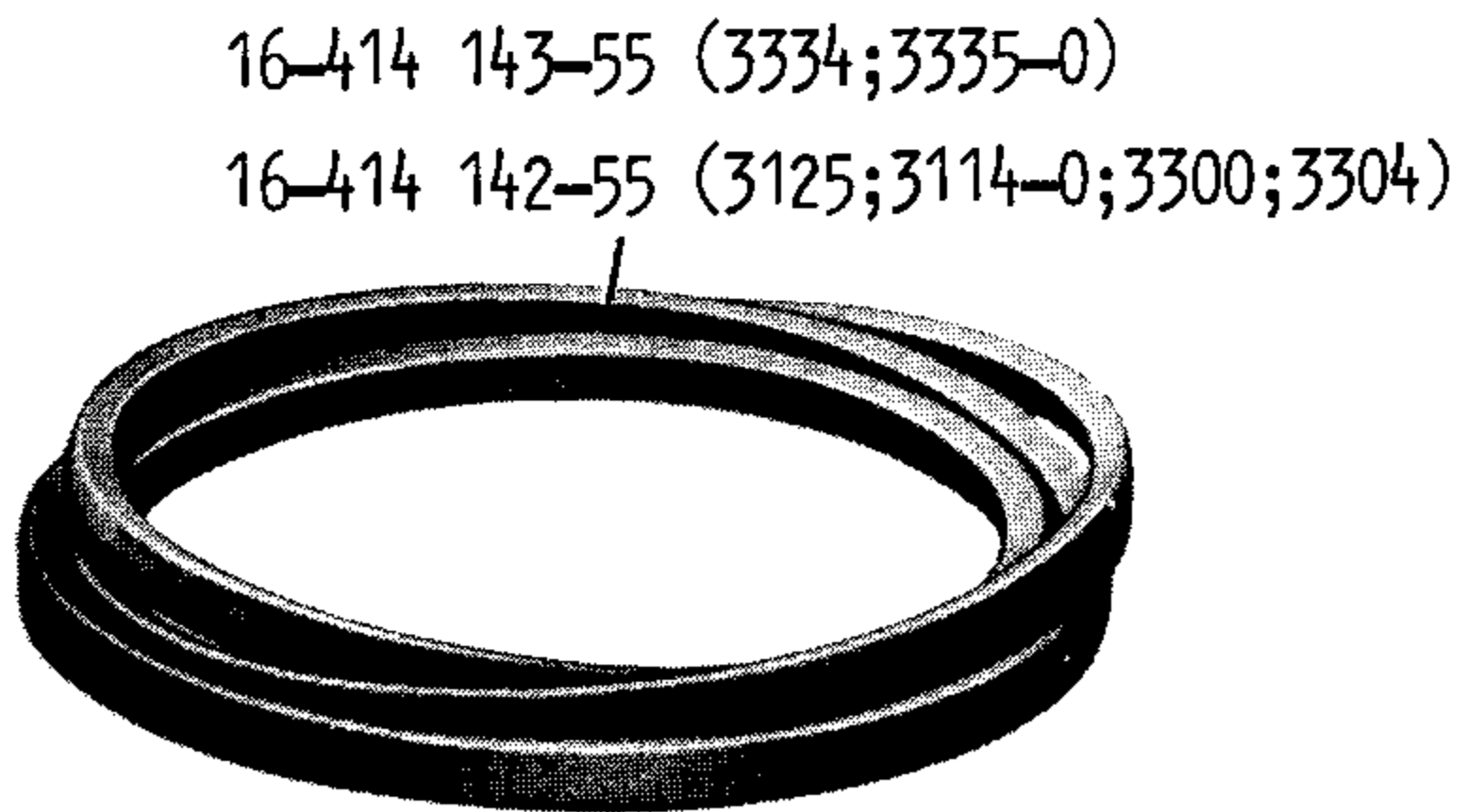
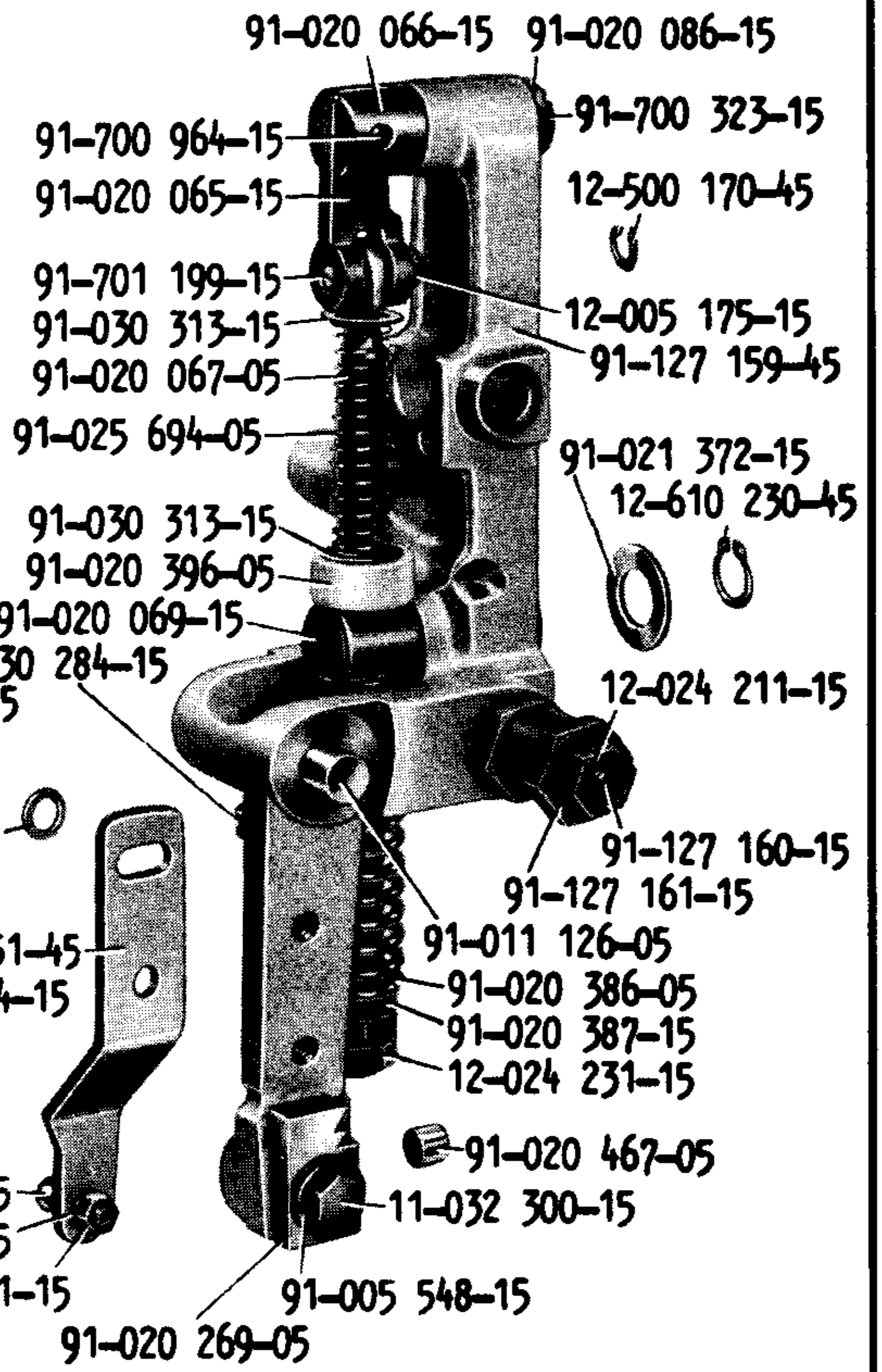
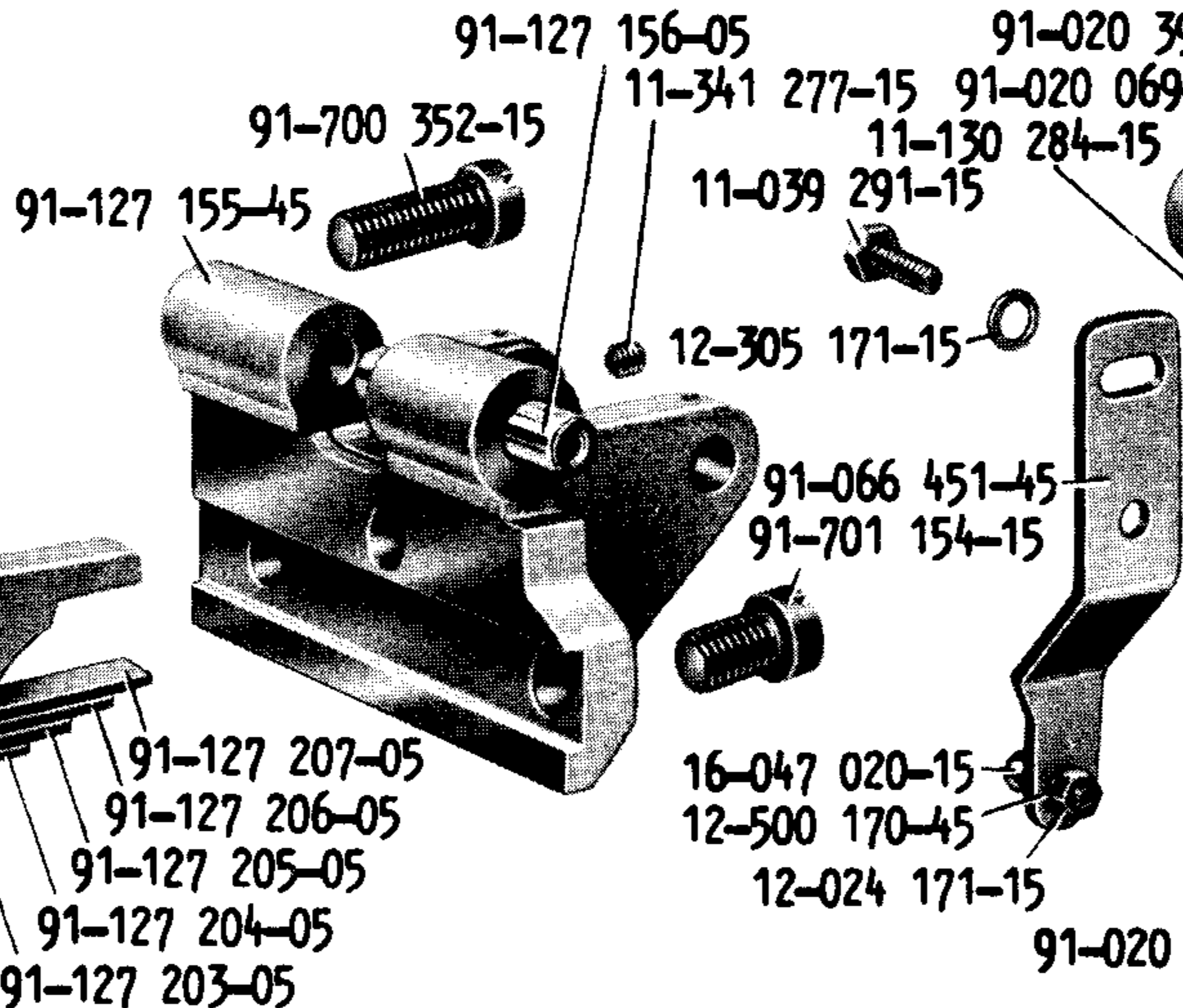
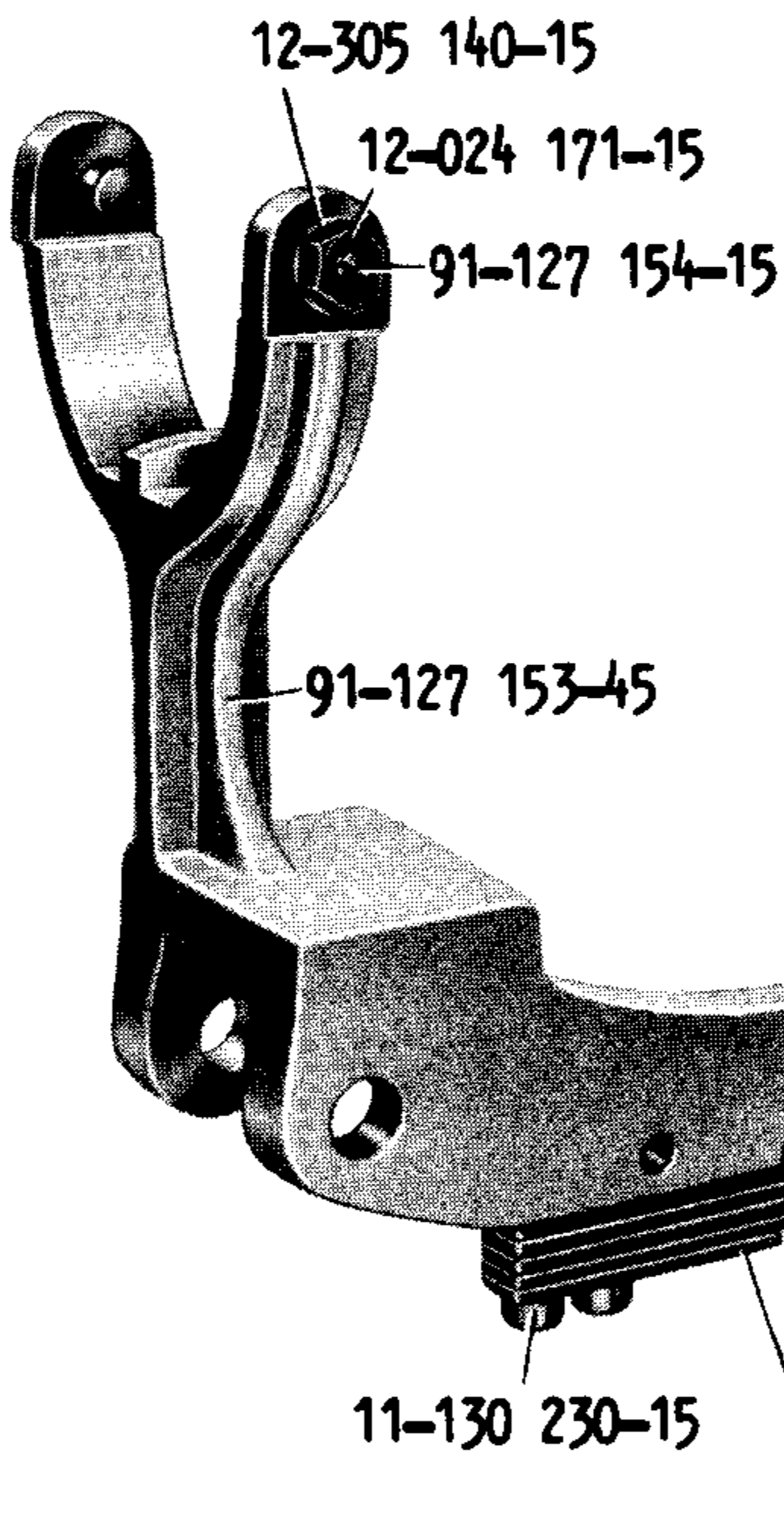
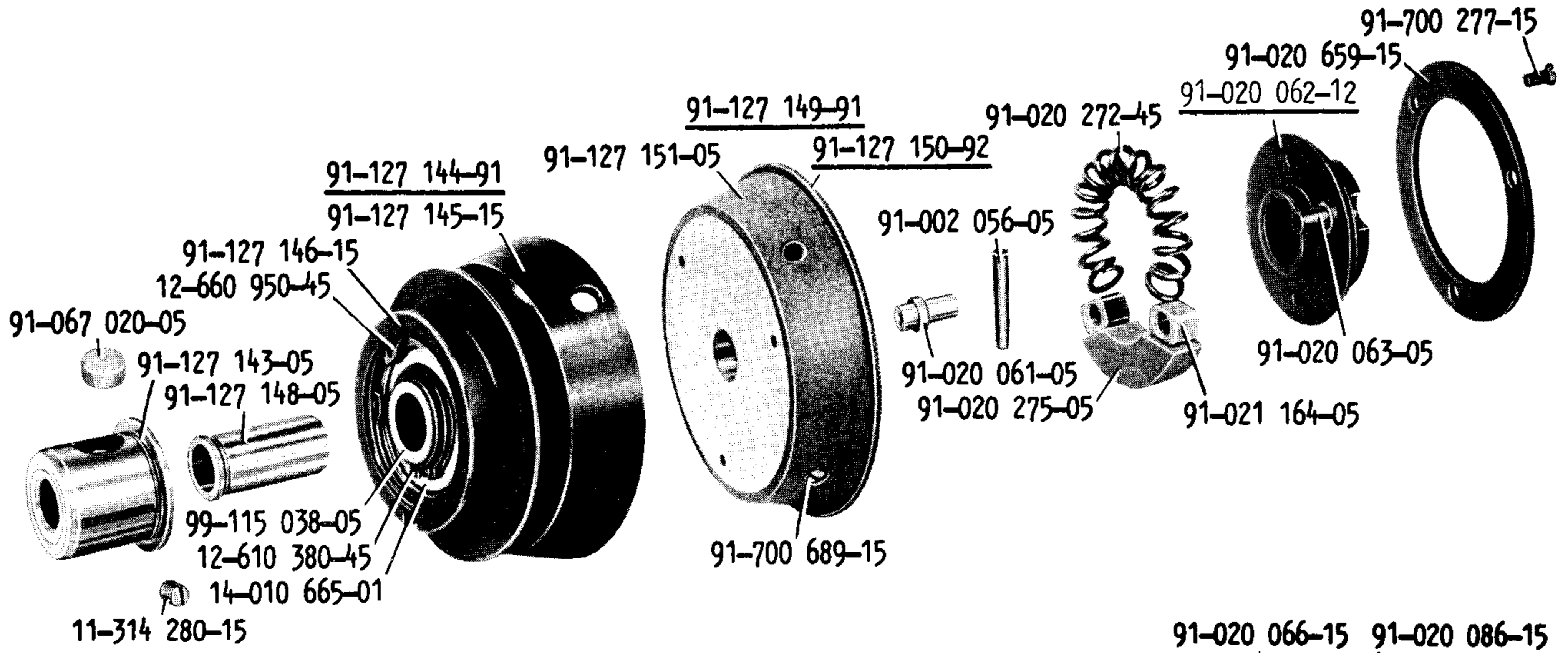




**-958/01**

zur Pfaff

3300; 3304; 3334; 3335-0

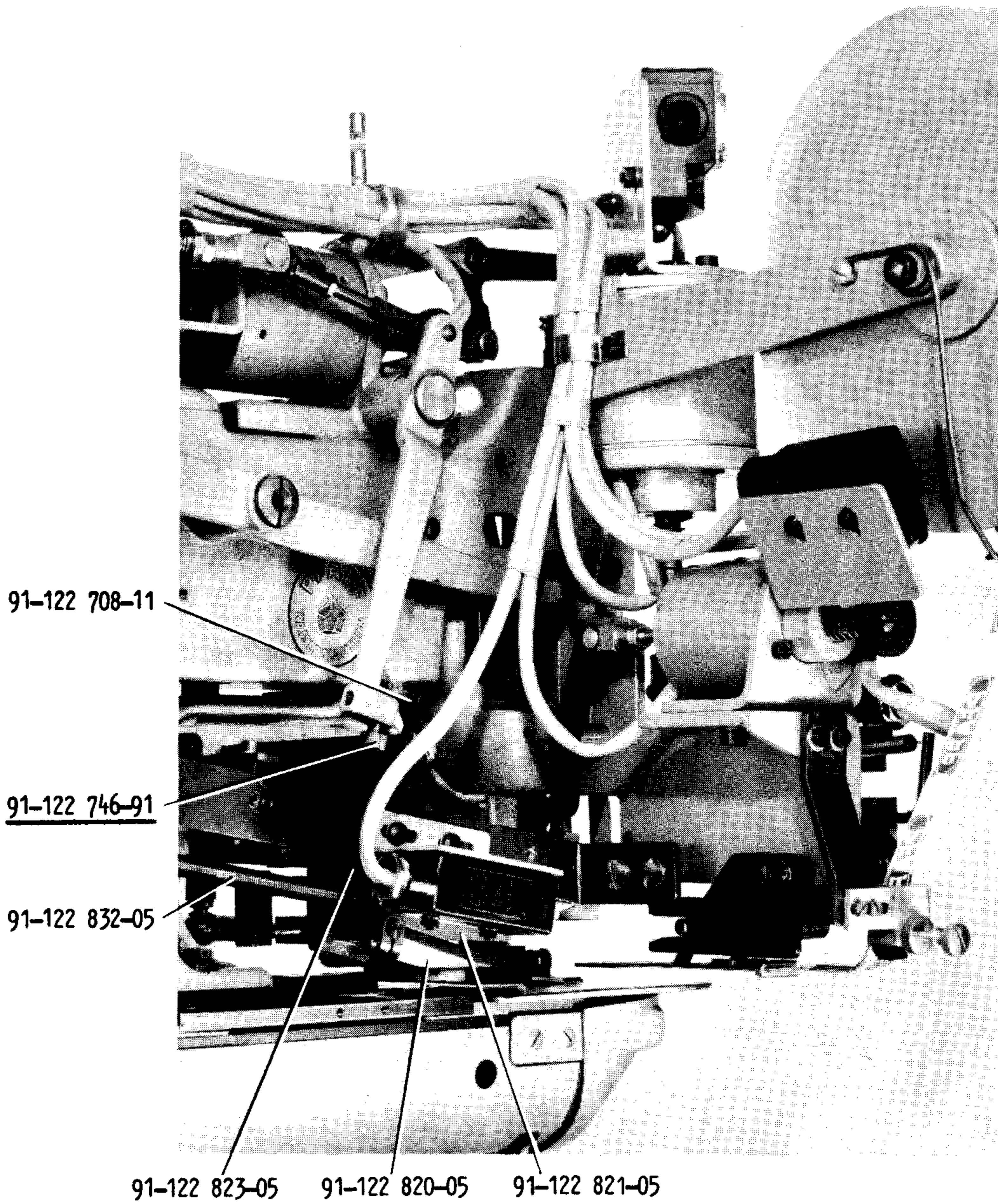




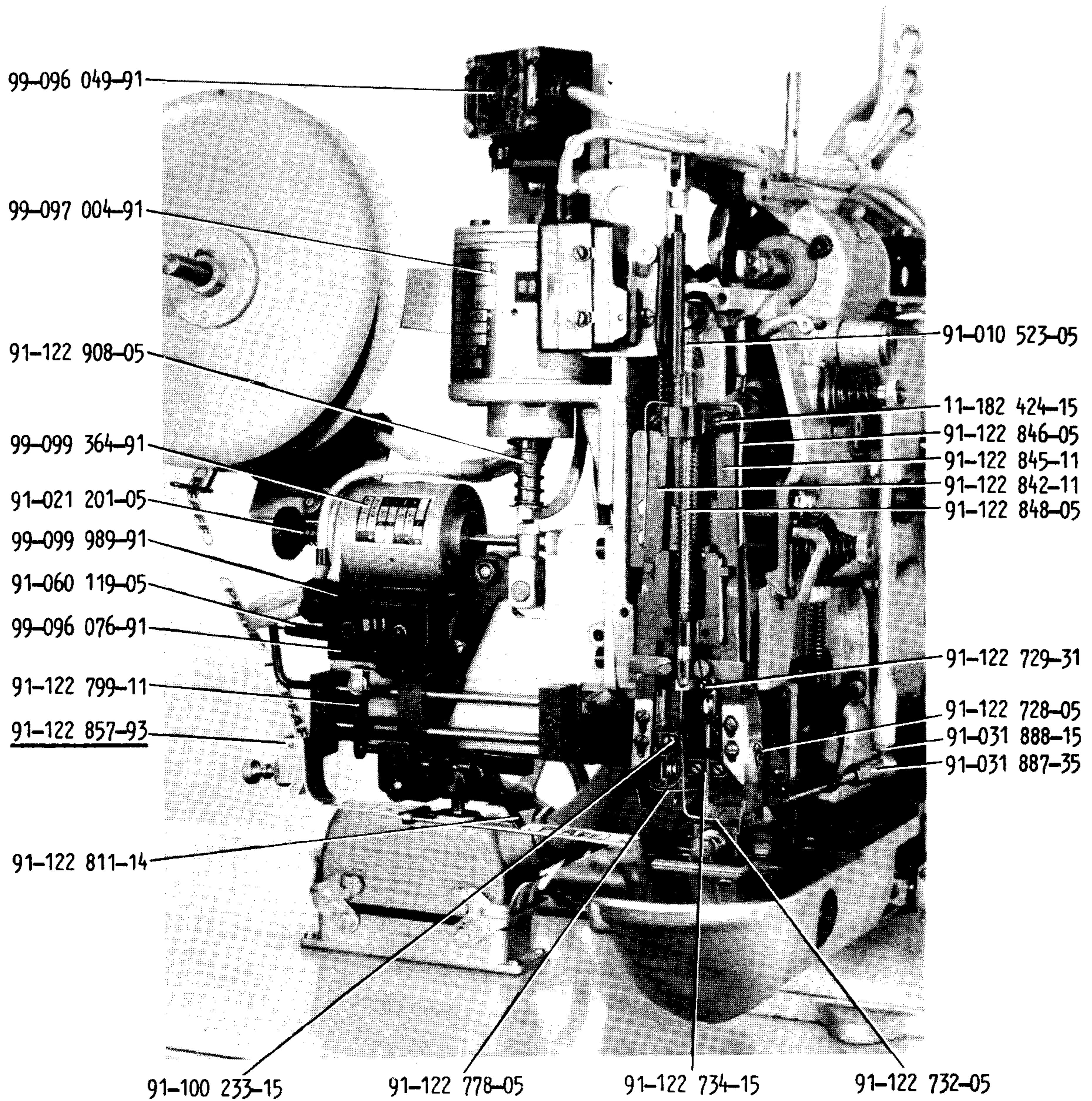
**Provisorische  
Bestandteile-Liste**

**PFAFF 3335-0-317-960  
X322**

**G. M. PFAFF AG WERK KAISERSLAUTERN**



- 91-122 708-11    Auslösehebel
- 91-122 746-91    Rollenträger mit Rolle, vollst.
- 91-122 820-05    Scherenhälfte, untere
- 91-122 821-05    Scherenhälfte, obere
- 91-122 823-05    Druckfeder
- 91-122 832-05    Zugfeder

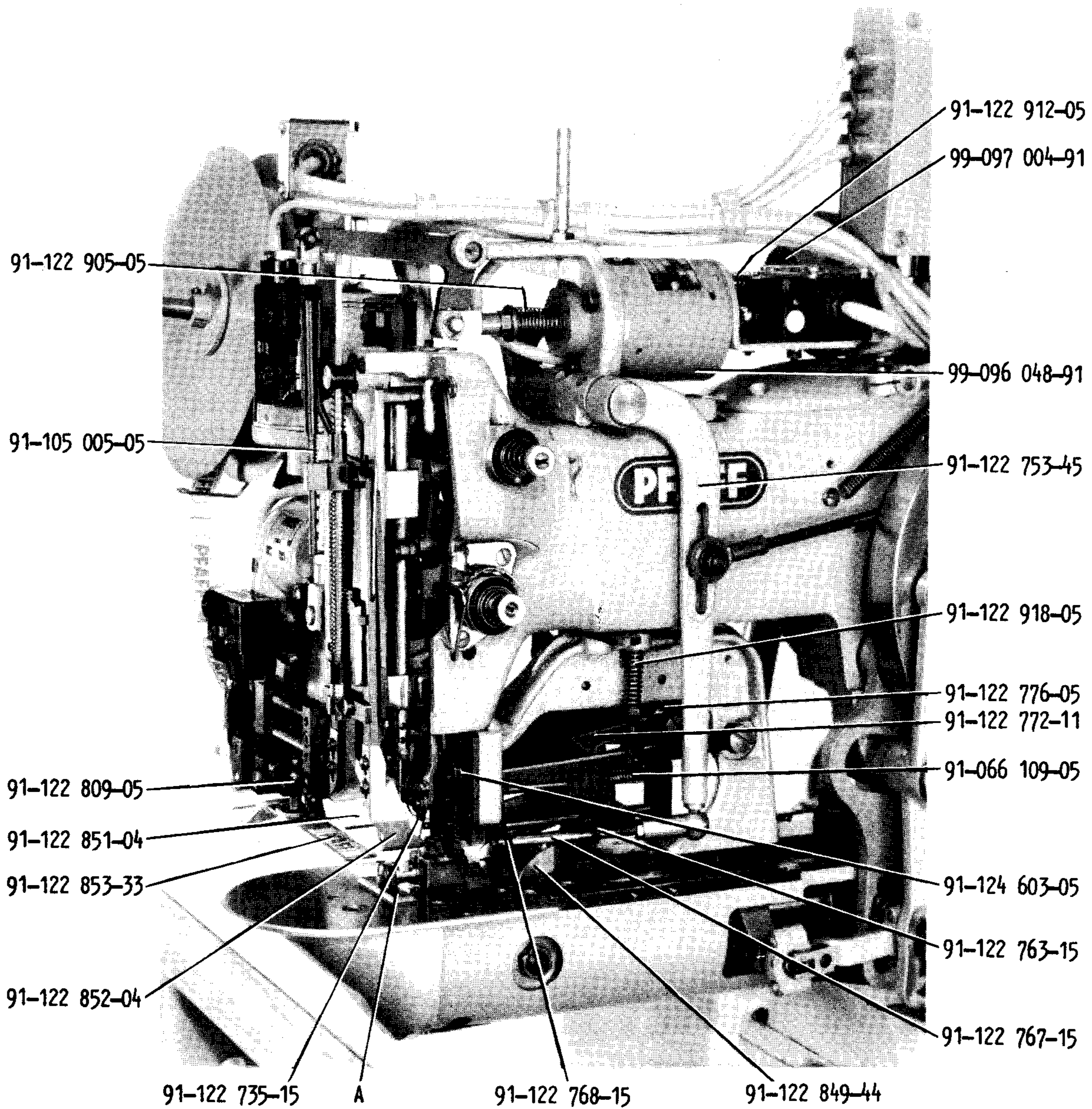


- 11-182 424-15 Gelenkschraube
- 91-010 523-05 Druckfeder
- 91-021 201-05 Druckfeder
- 91-031 887-35 Kugelpfanne
- 91-031 888-15 Kugelschraubenbolzen
- 91-060 119-05 Zugfeder
- 91-100 233-15 Klemm- und Mitnehmeschraube
- 91-122 728-05 Abstreifbügel
- 91-122 729-31 Fadenführung
- 91-122 732-05 Federbügel
- 91-122 734-15 Trägerwinkel
- 91-122 778-05 Drehfeder
- 91-122 799-11 Schaltwinkel

- 91-122 811-14<sup>1)</sup> Schiebefeder
- 91-122 842-11 Umbuggwinkel-Träger, linker; für /10 = Nr. 91-122 943-11
- 91-122 845-11 Umbuggwinkel-Träger, rechter; für /10 = Nr. 91-122 945-11
- 91-122 846-05 Biegefeder
- 91-122 848-05 Druckfeder
- 91-122 857-93<sup>1)</sup> Bandspanner vollst.
- 91-122 908-05 Druckfeder
- 99-096 049-91 Endtaster (4x)
- 99-096 076-91 Mikroschalter (4x)
- 99-097 004-91 Magnet
- 99-099 364-91 Magnet
- 99-099 989-91 Abdeckkappe

<sup>1)</sup> Bei Bestellung unbedingt Oberteil-Nr. und Klassenbezeichnung angeben !





- |               |              |                             |                                |
|---------------|--------------|-----------------------------|--------------------------------|
| 91-066 109-05 | Druckfeder   | 91-122 849-44 <sup>1)</sup> | Unterlagplatte                 |
| 91-105 005-05 | Druckfeder   | 91-122 851-04 <sup>1)</sup> | Umbuggwinkel, linker           |
| 91-122 735-15 | Anschlag     | 91-122 852-04 <sup>1)</sup> | Umbuggwinkel, rechter          |
| 91-122 753-45 | Hebel        | 91-122 853-33 <sup>1)</sup> | Etikettenführung               |
| 91-122 763-15 | Schieber     | 91-122 905-05               | Druckfeder                     |
| 91-122 767-15 | Zugstange    | 91-122 912-05               | Druckfeder zu Nr.99-097 004-91 |
| 91-122 768-15 | Kugelscheibe | 91-122 918-05               | Druckfeder                     |
| 91-122 772-11 | Sperrklinke  | 91-124 603-05               | Biegefeder                     |
| 91-122 776-05 | Drehfeder    | 99-096 048-91               | Magnet                         |
| 91-122 809-05 | Drehfeder    | 99-097 004-91               | Magnet                         |

A Stoffdrückerplatte  
(bei Bestellung unbedingt Oberteil-Nr. und Klassenbezeichnung angeben !)

<sup>1)</sup> Bei Bestellung unbedingt Oberteil-Nr. und Klassenbezeichnung angeben !