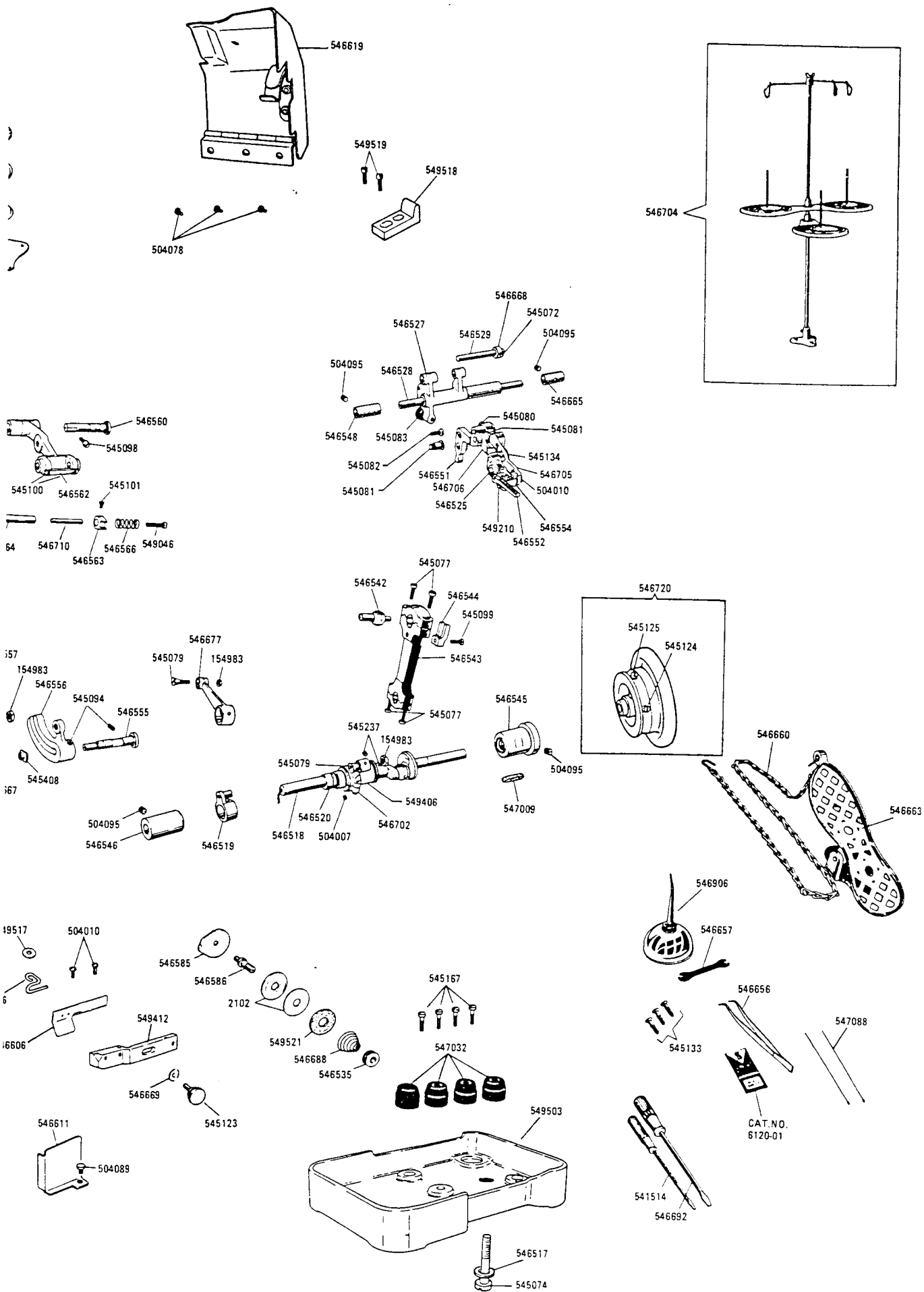


SINGER
81B6



NUMERICAL LIST OF PARTS FOR MACHINE 81B6

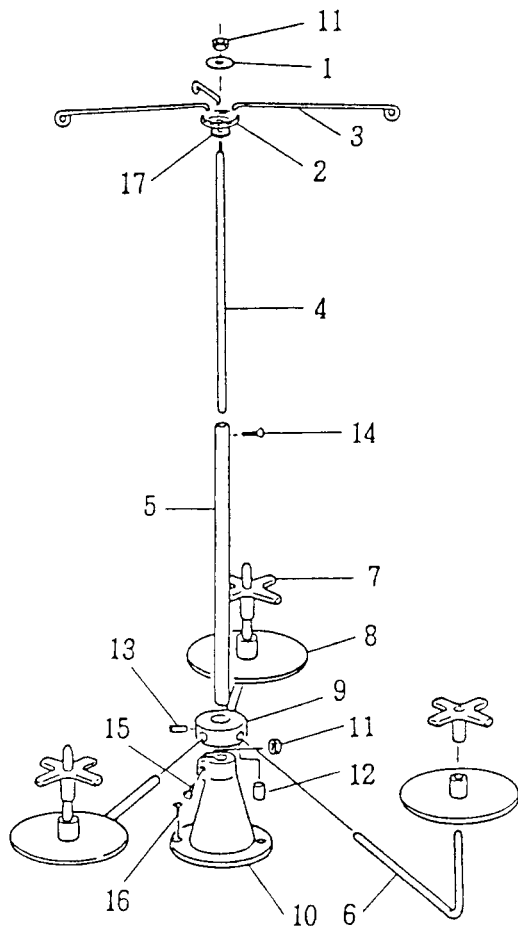
PART NO.	DESCRIPTION	PART NO.	DESCRIPTION
2102	Tension (looper, left hand) Disc (2)	545180	Presser Foot Chaining-Off Finger Screw
2102	Tension (needle thread) Disc (2)	545181	Presser Foot Plate Spring Adjusting Pin Set Screw
2102	Tension (looper, right hand) Disc (2)	545237	Feed Eccentric Set Screw (2)
154983	Feed (front) Regulating Rod Hinge Screw Nut	545406	Needle Clamp Nut
154983	Feed (front) Connecting Rod Hinge Screw Nut	545408	Feed (front) Regulating Screw Stud Nut
154983	Looper (left hand) Lever Connecting Link Hinge Screw Nut (2)	545411	Cloth Plate Hinge Screw Nut
154983	Knife (movable) Lever Connection Hinge Screw Nut	545451	Presser Lever Screw Stud Nut
504007	Needle Bar Bushing Set Screw (2)	545451	Lifting Lever Stop Screw Nut (2)
504007	Needle Bar Crank Shaft Bushing Set Screw (2)	546504	Needle Bar Crank Shaft
504007	Feed (front) Lifting Eccentric Set Screw (2)	546506	Needle Bar Crank Shaft Bushing (front and back) (2)
504007	Thread (looper, left hand) Tube Set Screw	546508	Needle Bar Crank (front) with two 545068
504010	Chip Guard Screw (2)	546509	Thread (needle) Take-up
504010	Feed Eccentric Cover Screw (2)	546511	Needle Bar with 545406
504010	Feed (back) Dog Screw	546512	Needle Bar Connecting Bracket with 545071
504010	Knife (stationary) Position Plate Screw	546513-001	Needle Bar Bushing (lower)
504078	Frame Back Cover Bracket Screw (3)	546513-002	Needle Bar Bushing (upper)
504089	Frame Top Cover Screw	546514	Needle Bar Connecting Link
504095	Feed (front) Rock Shaft Hinge Pin Bushing (right) Set Screw	546515	Needle Bar Connecting Link Hinge Pin (2)
504095	Feed (front) Rock Shaft Hinge Pin Bushing (left) Set Screw	546518	Frame Rotary Shaft
504095	Looper (right hand) and Spreader Lever Hinge Pin Bushing Set Screw (2)	546519	Feed (front) Lifting Eccentric Connection
504095	Frame Rotary Shaft Bushing Set Screw (2)	546520	Feed (front) Lifting Eccentric with two 504007
504101	Needle Bar Crank (back) Ball Stud Set Screw (3)	546521	Frame Rotary Shaft Crank with 545076, 546522 and 549049
504132	Presser Lever Hinge Stud Set Screw	546522	Frame Rotary Shaft Crank Oil Pad (felt)
504145	Frame Side Cover Screw (2)	546525	Feed (front) Bar
504145	Frame Side Cover Screw (2)	546527	Feed (front) Rock Shaft
545068	Needle Bar Crank (front) Set Screw (2)	546528	Feed (front) Rock Shaft Hinge Pin
545071	Needle Bar Connecting Bracket Clamping Screw	546529	Feed (front) Bar Hinge Pin
545072	Needle Bar Connecting Link Hinge Pin Set Screw	546530	Thread (needle) Eyelet
545072	Feed (front) Bar Hinge Pin Collar Set Screw	546532	Tension (needle thread) Thread Guide
545073	Needle Bar Connecting Link Hinge Pin Set Screw	546533	Tension (needle thread) Spring
545076	Frame Rotary Shaft Crank Position Screw	546535	Tension (looper, left hand) Regulating Thumb Nut
545077	Needle Bar Connecting Rod with Cap Screw (4)	546535	Tension (needle thread) Regulating Thumb Nut
545077	Looper (right hand) and Spreader Lever Connection Cap Screw (4)	546535	Tension (looper, right hand) Regulating Thumb Nut
545079	Feed (front) Regulator Connection Hinge Screw	546536	Tension (needle thread) Screw Stud
545079	Feed (front) Connecting Rod Hinge Screw	546539	Needle Bar Thread Retainer Disc (2)
545079	Knife (movable) Lever Connection Hinge Screw	546540	Needle Bar Thread Retainer Spring
545080	Feed (front) Bar Hinge Pin Set Screw	546541	Needle Bar Crank (back) with three 504101
545081	Feed (back) Connecting Link Hinge Screw	546542	Looper (right hand) and Spreader Lever Ball Stud
545081	Feed (back) Regulator Hinge Screw	546542	Needle Bar Crank (back) Ball Stud
545082	Feed (back) Regulator Set Screw	546543	Needle Bar Connecting Rod with two Cap and four 545077
545083	Feed (back) Regulator Thumb Screw	546544	Looper (right hand) and Spreader Lever Connection Guide
545084	Thread (needle) Eyelet Screw	546544	Looper (right hand) and Spreader Lever Connection Guide
545084	Thread (looper, right hand) Staple Screw	546545	Frame Rotary Shaft Bushing (back)
545085	Needle Bar Thread Retainer Screw	546546	Frame Rotary Shaft Bushing (front)
545086	Needle Bar Thread Retainer Bracket Screw	546548	Looper (right hand) and Spreader Lever Hinge Pin Bushing (2)
545086	Needle Bar Thread Retainer Bracket Screw (2)	546548	Feed (front) Rock Shaft Hinge Pin Bushing (left)
545091	Presser Regulating Thumb Screw	546550	Presser Lever Spring
545094	Feed (front) Regulator Set Screw (2)	546551	Feed (back) Regulator
545095	Feed (front) Rock Shaft Crank Clamping Screw	546552	Feed (front) Dog
545096	Feed (front) Regulator Connection Adjusting Screw	546554	Feed (back) Dog
545097	Feed (front) Regulating Screw Stud	546555	Feed (front) Regulator Hinge Stud
545098	Knife (movable) Lever Hinge Stud Set Screw	546556	Feed (front) Regulator with two 545094
545099	Looper (right hand) and Spreader Lever Connection Guide Screw	546557	Feed (front) Rock Shaft Crank with 545095
545099	Needle Guard Screw	546558	Feed (front) Regulator Connection with 545096
545099	Looper (right hand) and Spreader Lever Connection Guide Screw	546559	Knife (movable) Lever
545100	Knife (movable) Holder Guide Plate Screw (2)	546560	Knife (movable) Lever Hinge Stud
545101	Knife (movable) Holder Guide Screw	546562	Knife (movable) Holder Guide Plate
545102	Knife (stationary) Holder Screw	546563	Knife (movable) Holder Guide with 545101
545104	Knife (stationary) Holder Regulating Thumb Screw	546564	Knife (movable) Holder
545107	Thread (looper, left hand) Eyelet Screw	546565	Knife (movable) Gib
545108	Looper (right hand) and Spreader Lever Ball Stud Set Screw	546566	Knife (movable) Holder Spring
545109	Looper (right hand) Screw	546567	Knife (movable)
545109	Looper (right hand) Screw	546570	Knife (stationary) with Stud
545112	Looper (left hand) Clamping Screw	546571	Needle Guard
545113	Looper (left hand) Lever Connecting Link Hinge Screw (2)	546572	Looper (right hand) and Spreader Lever
545115	Throat Plate Screw (2)	546573	Looper (right hand) and Spreader Lever Hinge Pin
545117	Presser Lever Screw Stud (eccentric)	546574	Thread (looper, left hand) Eyelet
545118	Presser Foot Screw	546576	Looper (right hand)
545119	Lifting Lever Bracket Screw (2)	546578	Looper (left hand) Lever
545120	Lifting Lever Hinge Screw	546579	Looper (left hand) Lever Hinge Stud
545121	Presser Lever Lifter Hinge Screw	546580	Thread (looper, right hand) Take-up
545122	Lifting Lever Stop Screw (2)	546581	Looper (left hand)
545123	Feed Eccentric Cover Holder Thumb Screw	546582	Looper (left hand) Lever Connecting Link
545124	Balance Wheel Set Screw	546584	Thread (looper, right hand) Staple
545125	Balance Wheel Position Screw	546585	Tension (looper, right hand) Thread Guide
545134	Feed (back) Bar Hinge Screw	546586	Tension (looper, right hand) Screw Stud
545161	Cloth Plate Hinge Screw	546586	Tension (looper, left hand) Screw Stud
545167	Machine Cushion Screw (4)	546587	Tension (looper, left hand) Thread Guide
		546589	Throat Plate
		546591	Presser Lever
		546592	Presser Lever Hinge Stud
		546593	Presser Foot Complete

NUMERICAL LIST OF PARTS FOR MACHINE 81B6

PART NO.	DESCRIPTION	PART NO.	DESCRIPTION
			ACCESSORIES
546594	Presser Foot Screw Washer	541514	Screw Driver (small)
546595	Lifting Lever Bracket	545074	Machine Base Screw
546596	Lifting Lever Spring	545133	Wood Screw (3)
546597	Presser Lever Lifter	546517	Machine Base Screw Washer
546602	Lifting Lever with two each 545122 and 545451	546656	Tweezers
546606	Chip Guard	546657	Wrench
546608	Needle Bar Cover Complete	546660	Foot Lifter Chain
546611	Frame Top Cover	546663	Foot Lifter Tradle
546612A	Frame Side Cover (right) Complete	546692	Screw Driver (medium)
546612B	Frame Side Cover (left) Complete	546704	Thread Unwinder Complete (for three spools)
546617	Cloth Plate Complete	546906	Oil "C" Type 50 cc
546619	Frame Back Cover Complete	547088	Threading Wire (2)
546665	Feed (front) Rock Shaft Hinge Pin Bushing (right)	CAT.6120-01	Needle#12 (5)
546667	Feed (front) Regulating Screw Stud Nut Washer		
546668	Feed (front) Bar Hinge Pin Collar with 545072		
546669	Feed Eccentric Cover Holder Thumb Screw Washer		
546677	Feed (front) Connecting Rod		
546678	Knife (stationary) Holder		
546679	Knife (stationary) Position Plate		
546687	Thread (looper, left hand) Tube		
546688	Tension (looper, right hand) Spring		
546688	Tension (looper, left hand) Spring		
546699	Needle Bar Connecting Link Hinge Pin Oil Wick (2)		
546702	Knife (movable) Lever Connection		
546705	Feed (back) Bar		
546706	Feed (back) Connecting Link		
546707	Needle Bar Thread Retainer Bracket		
546709	Knife (movable) Holder Cap		
546710	Knife (movable) Holder Screw Extension Pin		
546711	Presser Foot Chaining-Off Finger		
546712	Presser Foot Plate Spring Adjusting Pin		
546713	Presser Foot Plate Spring		
546720	Balance Wheel with 545124 and 545125		
547009	Frame Rotary Shaft Bushing (back) Oil Pad		
547032	Machine Cushion (4)		
549045	Knife (movable) Holder Cap Screw (2)		
549046	Knife (movable) Holder Screw		
549049	Frame Rotary Shaft Crank Set Screw		
549210	Feed (front) Dog Screw		
549336	Needle Bar Cover Set Screw (2)		
549406	Feed Eccentric		
549412	Feed Eccentric Cover Holder		
549437	Looper (right hand) and Spreader Lever Connection with four 545077		
549491	Feed Eccentric Cover		
549503	Machine Base		
549513	Thread (looper, left hand) Guide Bracket		
549514	Thread (looper, left hand) Guide		
549515	Thread (looper, left hand) Guide Bracket Screw (2)		
549516	Frame Side Cover (right) Catch Spring		
549517	Frame Side Cover (right) Catch Spring Washer		
549518	Frame Back Cover Catch Bracket		
549519	Frame Back Cover Catch Bracket Screw (2)		
549520	Presser Lever Spring Pin		
549521	Tension (looper, left hand) Disc Felt		
549521	Tension (looper, right hand) Disc Felt		
549521	Tension (needle thread) Disc Felt		
CAT.6120-01	Needle#12		

Alteration in MACHINE PARTS CHART for Model 81B6

Thread Unwinder Complete (for three thread) P/N 546704 has been changed as follows.



No.	QTY.	Description
1	1	Thread Eyelet Platen
2	1	Thread Eyelet Pallet
3	3	Thread Eyelet
4	1	Thread Stand Rod (upper)
5	1	Thread Stand Rod (lower)
6	3	Spool Pin
7	3	Spool Stopper
8	3	Spool Seat Disc
9	1	Spool Pin Joint
10	1	Thread Stand Base
11	2	Hexagon Nut
12	3	Headless Set Screw
13	1	Headless Set Screw
14	1	Ball Head Cap Screw
15	1	Ball Head Cap Screw
16	3	Counter Sunk Head Wood Screw
17	1	Washer

Alteration in MACHINE PARTS CHART for Model 81B6

Thread Unwinder Complete (for three thread) P/N 546704 has been changed as follows.

