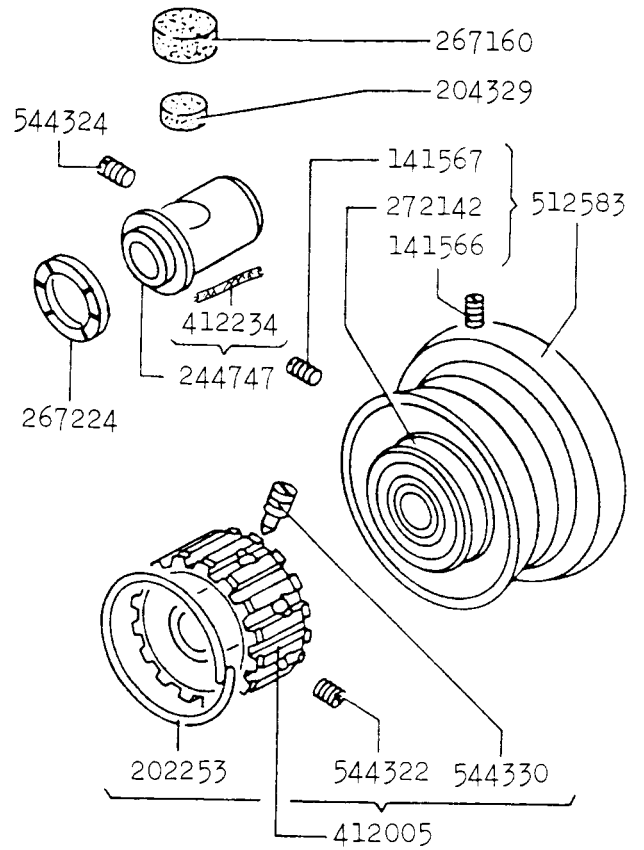
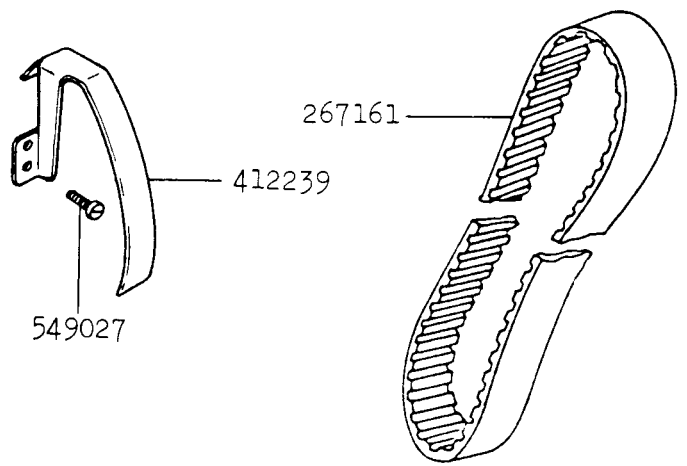
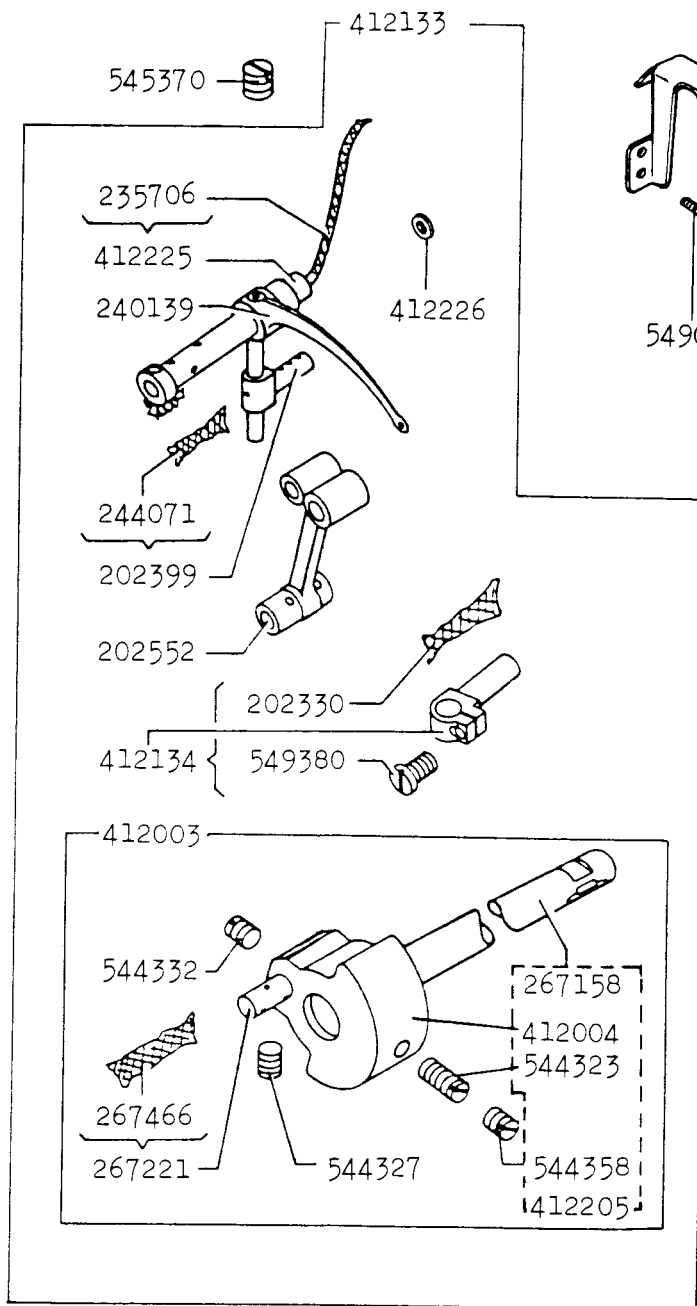


**ILLUSTRATED
PARTSLIST
FOR
SINGER***

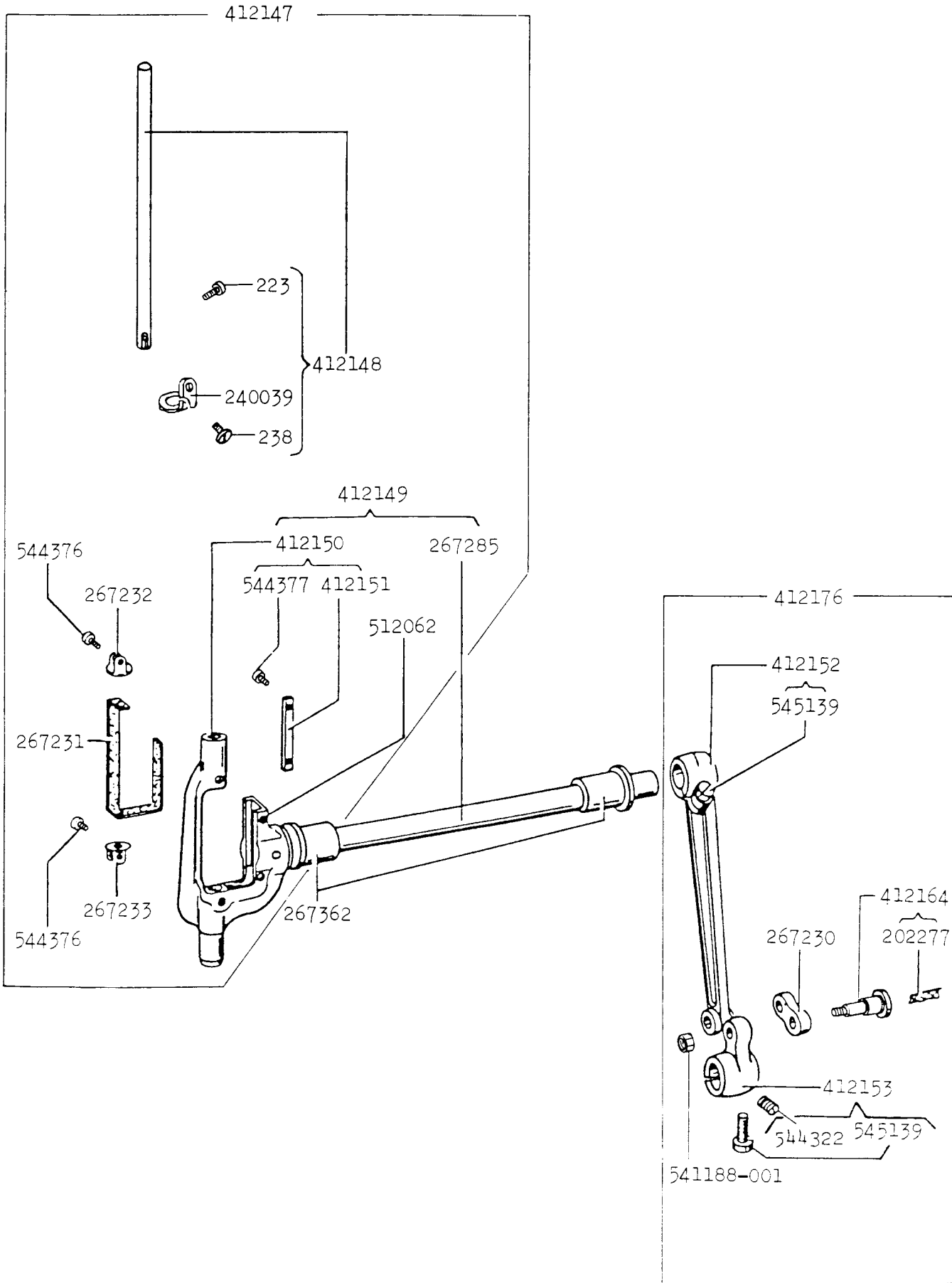
MACHINE

211U157A

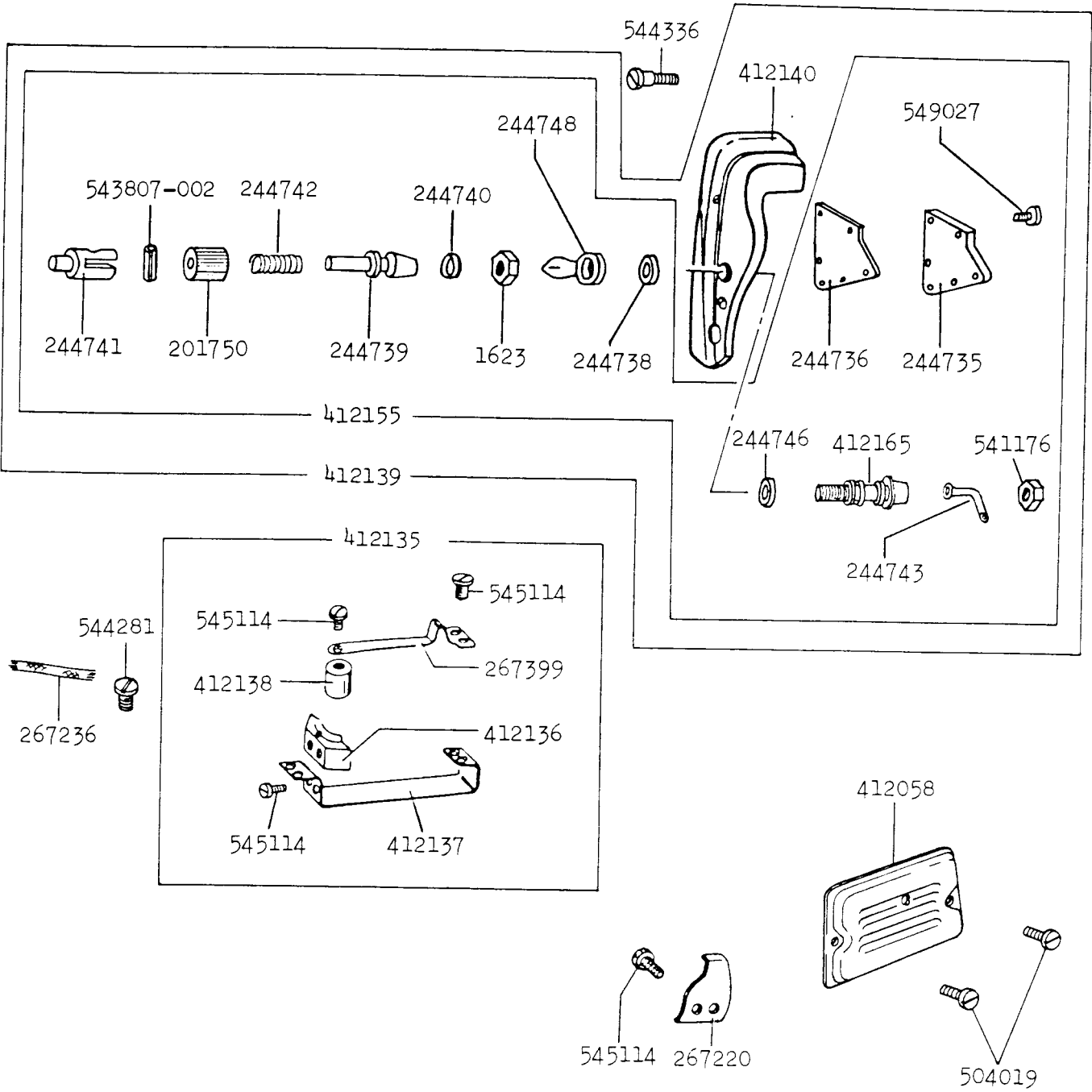
*A Trademark of THE SINGER COMPANY
Copyright © 1982 THE SINGER COMPANY
All Rights Reserved Throughout World



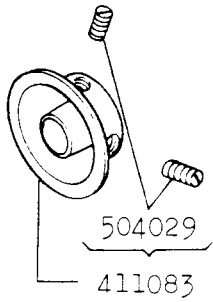
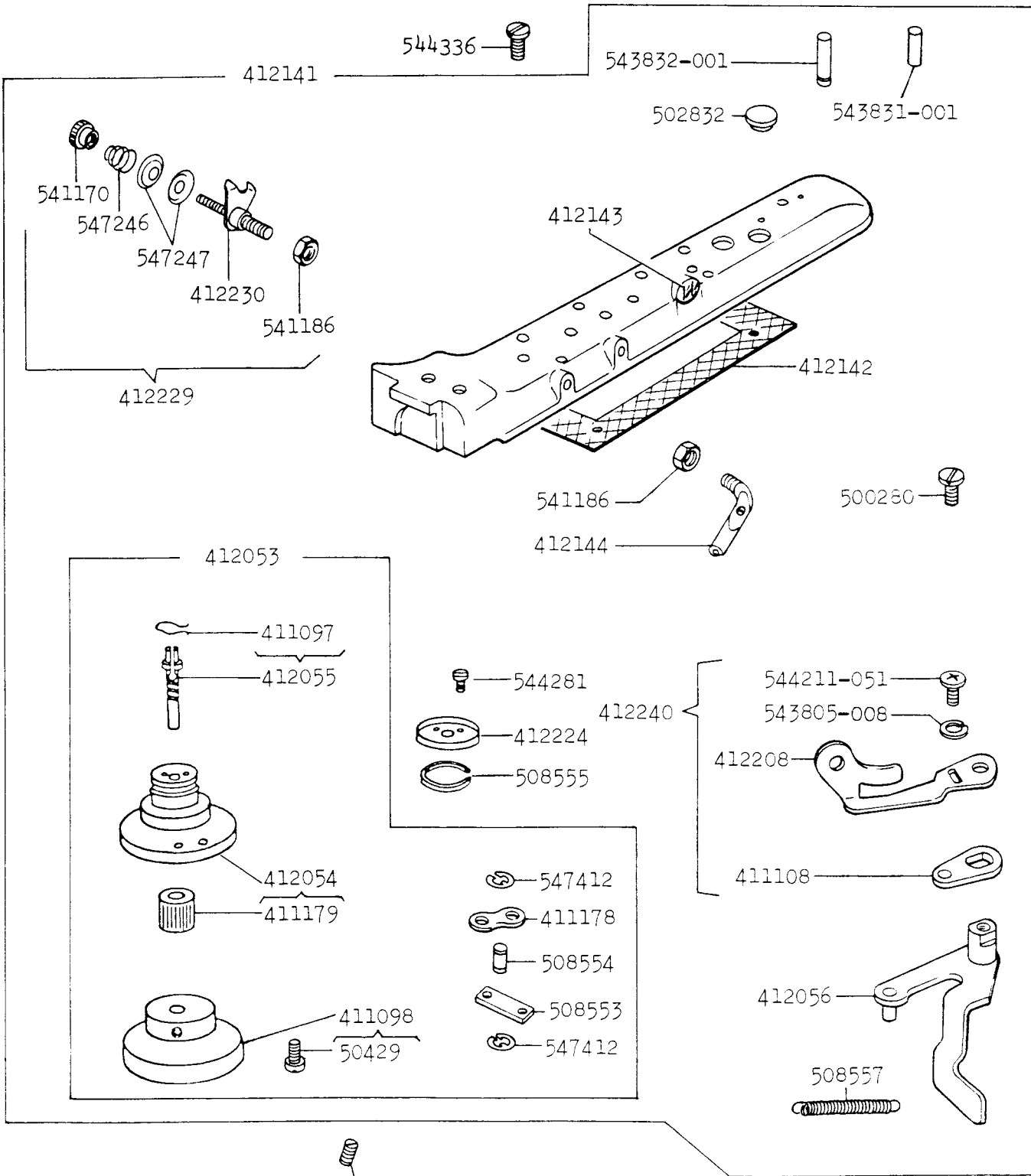
No.	212U141A 442A 211U157A 165A 166A 566A	Description
141566	* * * * *	Machine Pulley Position Screw
141567	* * * * *	Machine Pulley Set Screw
202253	* * * * *	Arm Shaft Connecting Belt Pulley Spring Flange (2)
202330	* * * * *	Needle Bar Connecting Stud Wick
202399	* * * * *	Take-up Lever Driving Stud with 244071
202552	* * * * *	Needle Bar Connecting Link
204329	* * * * *	Arm Shaft Bushing (front) Oil Pad (felt) (lower)
235706	* * * * *	Take-up Lever Hinge Stud Oil Wick
240139	- - * - -	Take-up Lever
244071	* * * * *	Take-up Lever Driving Stud Oil Wick
244747	* * * * *	Arm Shaft Bushing (front) with 412234
267158	* * * * *	Arm Shaft
267160	* * * * *	Arm Shaft Bushing (front) Oil Pad (felt) (upper)
267161	* * * * *	Arm Shaft Connecting Belt
267221	* * * * *	Needle Bar Connecting Link Stud with 267466
267224	* * * * *	Needle Bar Crank Friction Washer
267466	* * * * *	Needle Bar Connecting Link Stud Wick
272142	* * * * *	Machine Pulley Ball Bearing (back)
412003	* * * * *	Arm Shaft complete 267221, 412205, 544327, 544332
412004	* * * * *	Needle Bar Crank
412005	* * * * *	Arm Shaft Connecting Belt Pulley with 202253 (2), 544322, 544330
412133	- - * * * *	Arm Shaft complete 202399, 202552, 240139, 412003, 412134, 412225, 412226
412134	* * * - - -	Needle Bar Connecting Stud with 202330, 545295
412205	* * * * *	Arm Shaft complete 267158, 412004, 544323, 504358
412225	* * * * *	Take-up Lever Hinge Stud with 235706
412226	* * * * *	Take-up Lever Hinge Stud Wearing Washer
412234	* * * * *	Arm Shaft Bushing (front) Oil Wick
412239	* * * * *	Take-up Lever Guard
512583	* * * - - -	Machine Pulley with 141566, 141567, 272142
544322	* * * * *	Arm Shaft Connecting Belt Pulley Set Screw
544323	* * * * *	Needle Bar Crank Position Screw
544324	* * * * *	Arm Shaft Bushing (front) Set Screw
544327	* * * * *	Needle Bar Connecting Link Stud Set Screw
544330	* * * * *	Arm Shaft Connecting Belt Pulley Position Screw
544332	* * * * *	Needle Bar Connecting Link Stud Set Screw
544358	* * * * *	Needle Bar Crank Check Screw
545370	* * * * *	Take-up Lever Hinge Stud Set Screw
549027	* * * * *	Take-up Lever Guard Screw (2)
549380	* * * * *	Needle Bar Connecting Stud Pinch Screw



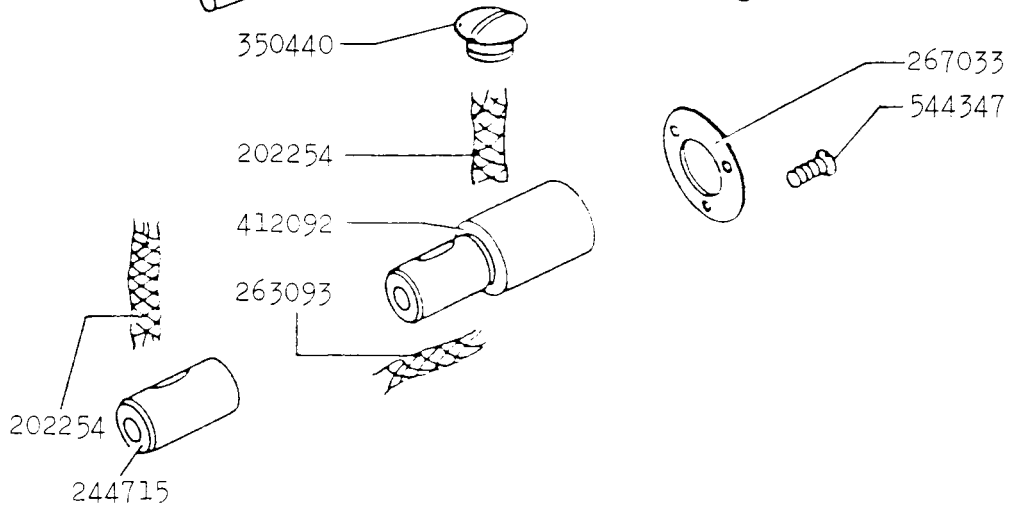
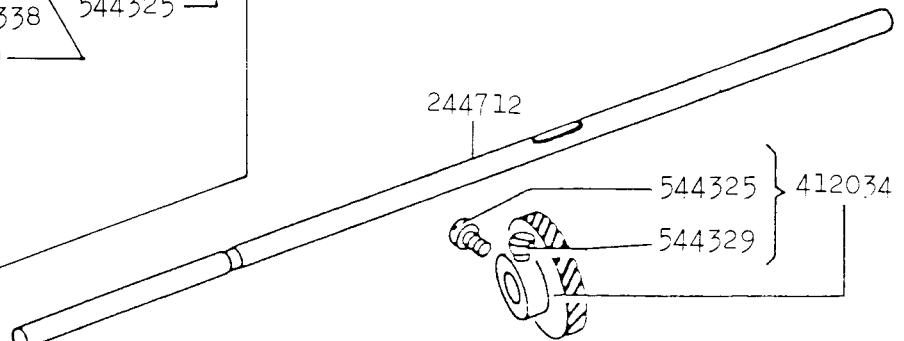
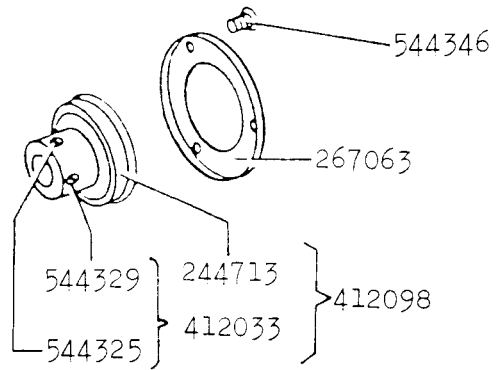
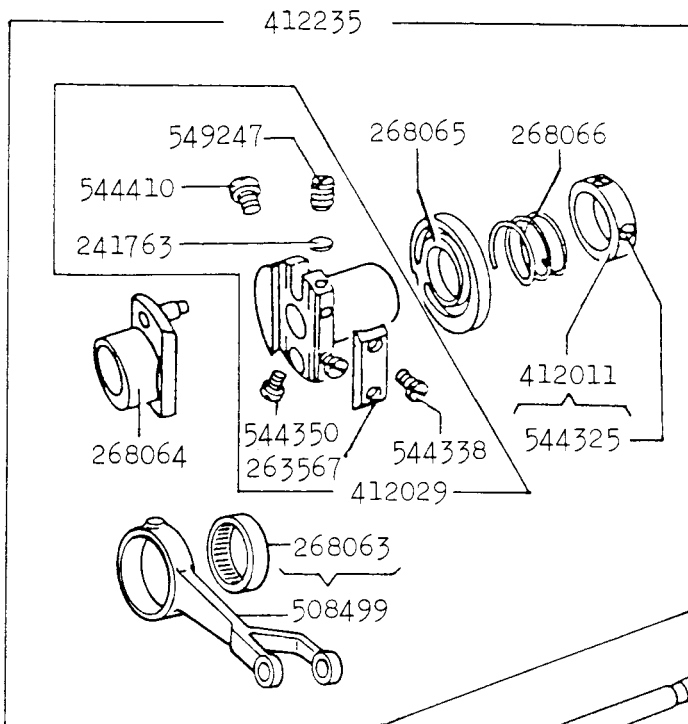
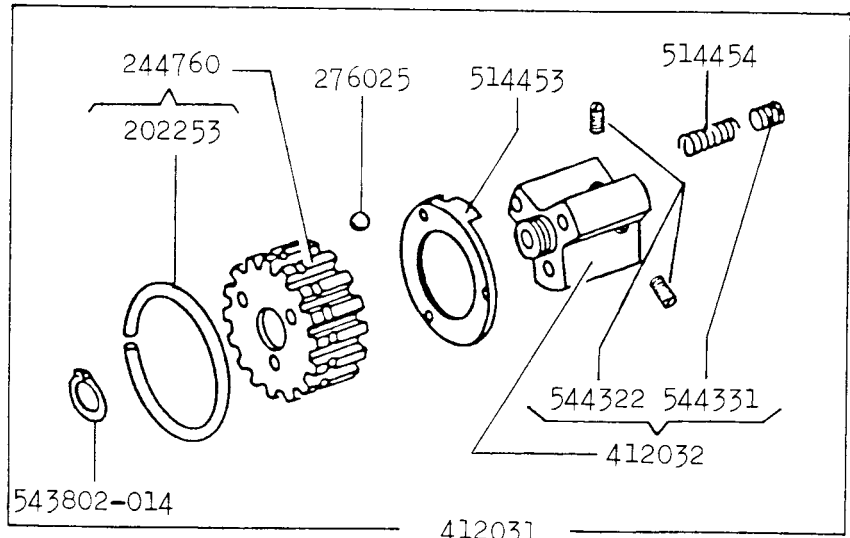
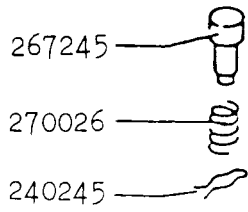
No.	212U141A 442A 211U157A 165A 166A 566A	Description
223	- - * * * *	Needle Set Screw
238	- - * * * *	Needle Bar Thread Guide Screw
202277	* * * - - -	Needle Bar Rock Frame Rock Shaft Crank Link Hinge Screw Oil Packing (wick) (2)
240039	- - * - - -	Needle Bar Thread Guide
267230	* * * - - -	Needle Bar Rock Frame Rock Shaft Crank Link
267231	* * * - - -	Needle Bar Oiling Felt
267232	* * * - - -	Needle Bar Oiling Felt Retainer (upper)
267233	* * * - - -	Needle Bar Oiling Felt Retainer (lower)
267285	* * * - - -	Needle Bar Rock Frame Shaft
267362	* * * - - -	Needle Bar Rock Frame Rock Shaft Bushing (split) (2)
412147	- - * - - -	Needle Bar Rock Frame Rock Shaft, Needle Bar complete 267231 267232, 267233, 412148, 412149, 544376 (4)
412148	- - * - - -	Needle Bar with 223, 238, 240039
412149	* * * - - -	Needle Bar Rock Frame complete 267285, 412150, 512062
412150	* * * - - -	Needle Bar Rock Frame with 412151 (2), 544377 (4)
412151	* * * - - -	Needle Bar Rock Frame Wear Plate (2)
412152	* * * - - -	Needle Bar Rock Frame Rock Shaft Connection with 545139
412153	* * * - - -	Needle Bar Rock Frame Rock Shaft Crank with 544322, 545139
412164	* * * - - -	Needle Bar Rock Frame Rock Shaft Crank Link Hinge Screw (2) with 202277
412176	* * * - - -	Needle Bar Rock Frame Rock Shaft Connection, Crank, Link with 267230, 412152, 412153, 412164 (2), 541188-001 (2)
512062	* * * - - -	Needle Bar Rock Frame Pin
541188-001	* * * - - -	Needle Bar Rock Frame Rock Shaft Crank Link Hinge Screw Nut (2)
544322	* * * - - -	Needle Bar Rock Frame Rock Shaft Crank Set Screw
544376	* * * - - -	Needle Bar Oiling Felt Retainer Screw (upper) (2)
544376	* * * - - -	Needle Bar Oiling Felt Retainer Screw (lower) (2)
544377	* * * - - -	Needle Bar Rock Frame Wear Plate Screw (4)
545139	* * * - - -	Needle Bar Rock Frame Rock Shaft Connection Pinch Screw
545139	* * * - - -	Needle Bar Rock Frame Rock Shaft Crank Pinch Screw



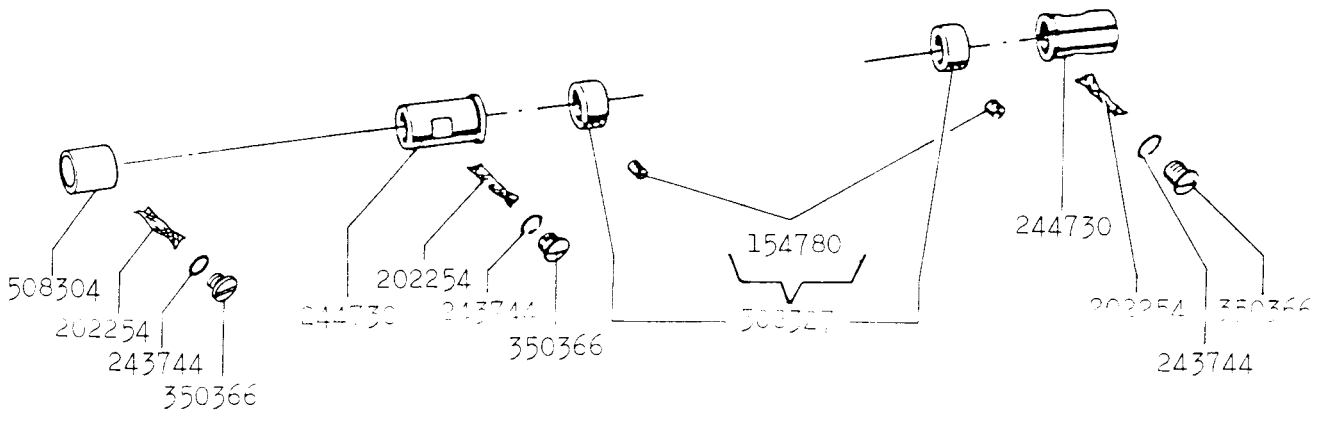
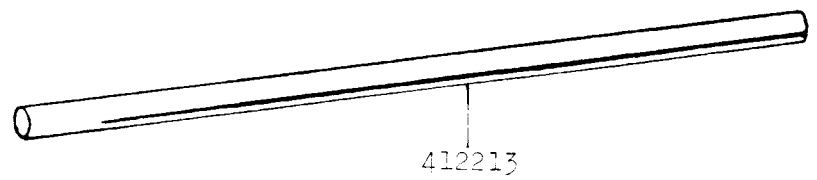
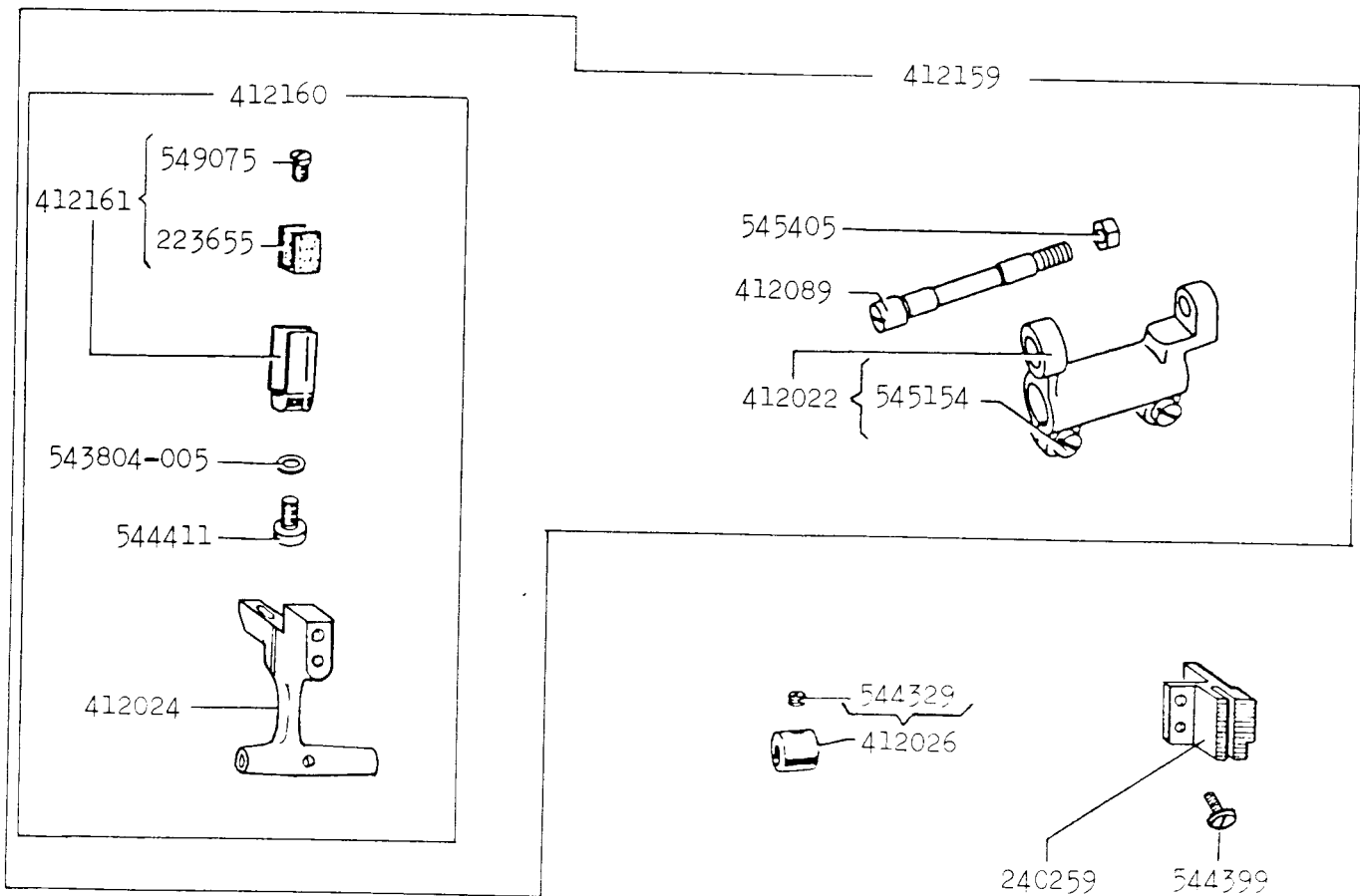
No.	212U141A 412A 211U157A 165A 166A 566A	Description
1623	- - * - - -	Thread Lubricator Oil Socket Lock Nut
201750	- - * - - -	Thread Lubricator Oil Socket Plunger Adjusting Nut
244735	- - * - - -	Thread Lubricator Oil Reservoir Cover
244736	- - * - - -	Thread Lubricator Oil Reservoir Cover Gasket
244738	- - * - - -	Thread Lubricator Oil Socket Lock Nut Washer
244739	- - * - - -	Thread Lubricator Oil Socket Plunger
244740	- - * - - -	Thread Lubricator Oil Plunger Oil Seal (Rubber)
244741	- - * - - -	Thread Lubricator Oil Socket Release Lever
244742	- - * - - -	Thread Lubricator Oil Socket Plunger Spring
244743	- - * - - -	Thread Lubricator Oil Tube
244746	- - * - - -	Thread Lubricator Oil Socket Oil Seal (2)
244748	- - * - - -	Thread Lubricator Oil Adjusting Nut Retainer
267220	* * * * * *	Oil Guard
267236	* * * - - -	Oil Reservoir Oil Wick
267399	* * * - - -	Oil Vibrator Pump Weight Spring
412058	* - * * * *	Arm Cover (side)
412135	* * * - - -	Dynamic Head-End Lubrication Device complete 267399, 412136, 412137, 412138, 545114 (5)
412136	* * * - - -	Oil Vibrator Pump Block
412137	* * * - - -	Oil Vibrator Pump Bracket
412138	* * * - - -	Oil Vibrator Pump Weight
412139	- - * - - -	Face Plate complete 412140, 412155
412140	* - * - - -	Face Plate
412155	- - * - - -	Thread Lubricator complete 1623, 201750, 244735, 244736, 244738, 244739, 244740, 244741, 244742, 244746, 244748, 412165, 543807-002, 549027
412165	- - * - - -	Thread Lubricator Oil Socket
504019	* * * * * *	Arm Cover (side) Screw (2)
541176	- - * - - -	Thread Lubricator Oil Tube Nut
543807-002	- - * - - -	Thread Lubricator Oil Socket Plunger Release Lever Pin
544281	* * * - - -	Oil Vibrating Pump Bracket Screw (2)
544336	* * * - - -	Face Plate Screw (2)
545114	* * * - - -	Oil Vibrator Pump Block Screw (2)
545114	* * * - - -	Oil Vibrator Pump Weight Spring Screw (2)
545114	* * * - - -	Oil Vibrator Pump Weight Screw
545114	* * * * * *	Oil Guard Screw
549027	- - * - - -	Thread Lubricator Oil Reservoir Cover Screw (6)



No.	212U141A 442A 211U157A 165A 166A 566A	Description
50429	* * * * *	Bobbin Winder Shaft Friction Wheel Set Screw (2)
411083	* * * * *	Bobbin Winder Driving Wheel with 504029 (2)
411097	* * * * *	Bobbin Snap Spring
411098	* * * * *	Bobbin Winder Shaft Friction Wheel with 50429 (2)
411108	* * * * *	Bobbin Winder Shaft Bushing (Ecc.) Trip Lever (short)
411178	* * * * *	Bobbin Winder Bushing (Ecc.) Connection Lever
411179	* * * * *	Bobbin Winder Shaft Bushing (Ecc.) Bearing
412053	* * * * *	Bobbin Winder Shaft Bushing (Ecc.) complete 411098, 411178, 412054, 412055, 508553, 508554, 547412
412054	* * * * *	Bobbin Winder Shaft Bushing (Ecc.) with 411179
412055	* * * * *	Bobbin Winder Shaft with 411097
412056	* * * * *	Bobbin Winder Bushing (Ecc.) Rocking
412141	- - * - -	Arm Cover (Top) with 412053, 412056, 412142, 412143, 412144, 412224, 412229, 412240, 500280, 502832, 508555, 508557, 541186, 543831-001, 543832-001, 544281 (2)
412142	* * * - -	Arm Cover (Top) Gasket (vellumoid)
412143	* * * - -	Oil Lever Indicator
412144	* * * * *	Thread Guide (Arm Top Cover)
412208	* * * * *	Bobbin Winder Shaft Bushing (Ecc.) Trip Lever (long)
412224	* * * * *	Bobbin Winder Bushing (Ecc.) Thread Guard
412229	* * * * *	Bobbin Winder Tension complete 412230, 541170, 541186, 547246, 547247 (2)
412230	* * * * *	Bobbin Winder Tension Stud
412240	* * * * *	Bobbin Winder Shaft Bushing (Ecc.) Trip Lever complete 411108, 412208, 543805-002, 544211-051
500280	* * * * *	Bobbin Winder Shaft Bushing (Ecc.) Trip Lever Cap Screw
502832	* * * * *	Arm Cover (Top) Plug
504029	* * * * *	Bobbin Winder Driving Wheel Set Screw (2)
508553	* * * * *	Bobbin Winder Bushing (Ecc.) Spring Shackles
508554	* * * * *	Bobbin Winder Bushing (Ecc.) Link Stud
508555	* * * * *	Bobbin Winder Bushing (Ecc.) Snap Ring
508557	* * * * *	Bobbin Winder Bushing (Ecc.) Spring
541170	* * * * *	Bobbin Winder Tension Nut
541186	* * * * *	Bobbin Winder Tension Lock Nut
541186	* * * * *	Thread Guide (Arm Top Cover) Lock Nut
543805-008	* * * * *	Bobbin Winder Shaft Bushing (Ecc.) Trip Lever Screw Washer
543831-001	* * * * *	Bobbin Winder Bushing (Ecc.) Rocking Lever Stop Pin
543832-001	* * * * *	Bobbin Winder Shaft Bushing (Ecc.) Coil Spring Stud
544211-051	* * * * *	Bobbin Winder Shaft Bushing (Ecc.) Trip Lever Screw
544281	* * * * *	Bobbin Winder Shaft Bushing (Ecc.) Thread Guard Screw (2)
544336	* * * * *	Arm Cover (Top) Screw (6)
547246	* * * * *	Bobbin Winder Tension Spring
547247	* * * * *	Bobbin Winder Tension Disc (2)
547412	* * * * *	Bobbin Winder Shaft Bushing (Ecc.) Link Lock Washer (2)

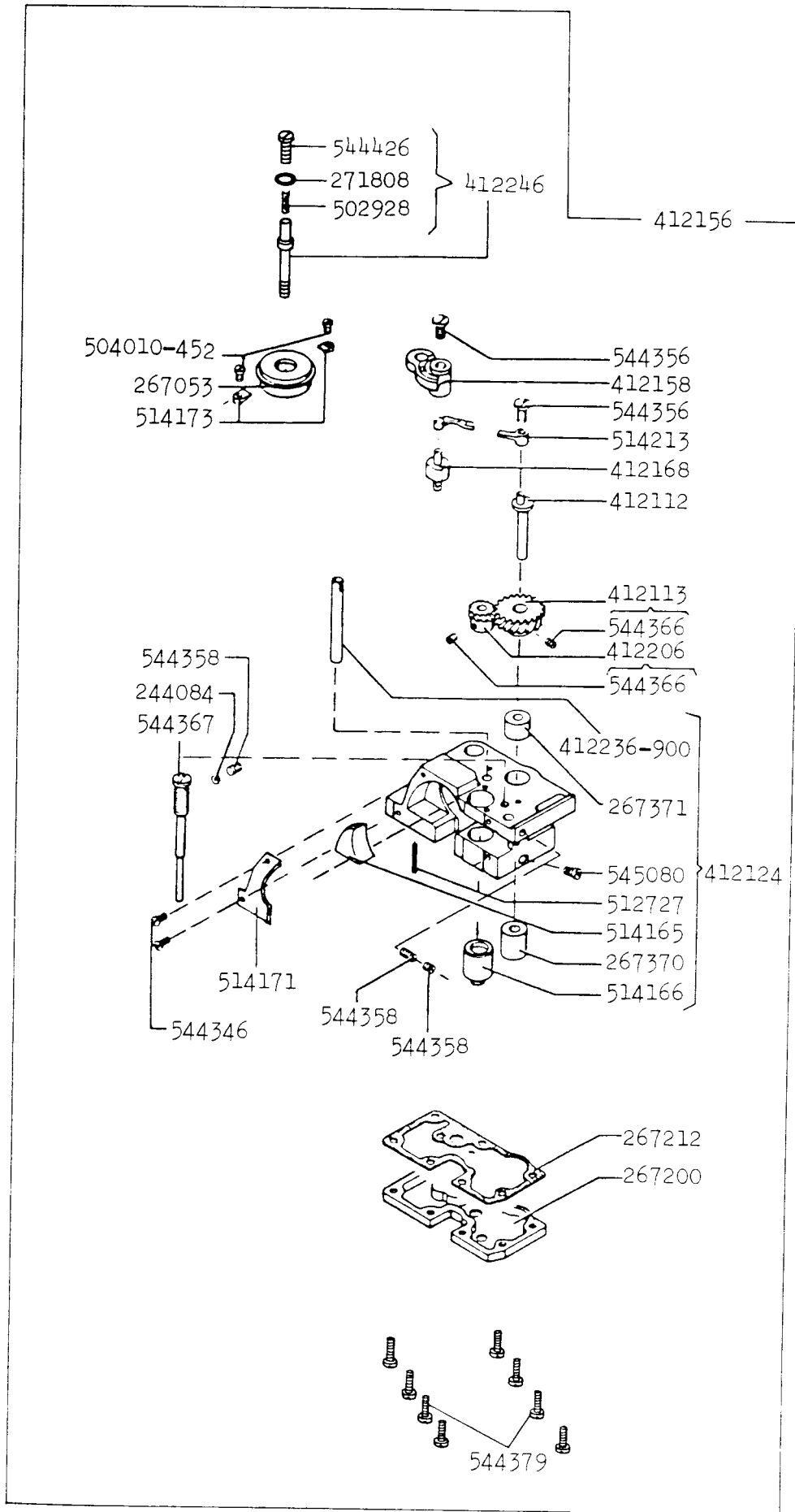


No.	212U141A 442A 211U157A 165A 166A 566A	Description
202253	* * * * *	Safety Clutch Belt Pulley Spring
202254	* * * * *	Bed Oil Wick (2)
240245	* * * * *	Feed Regulating Stud Retaining Spring
241763	* * * * *	Feed Driving Eccentric Friction Plate Screw Set Screw Packing (Brass) (2)
244712	- - * * *	Hook Driving Shaft
244713	* * * * *	Hook Driving Shaft Ball Bearing
244715	- - * * *	Hook Driving Shaft Bushing (left)
244760	- - * * *	Safety Clutch Belt Pulley with 202253
263093	* * * * *	Bed Oil Wick
263567	* * * * *	Feed Driving Eccentric Friction Plate
267033	* * * * *	Feed Driving Eccentric Connection Friction Washer
267063	* * * * *	Hook Driving Shaft Ball Bearing Retaining Washer
267245	* * * * *	Feed Regulating Stud
268063	* * * * *	Feed Driving Eccentric Connection Needle Bearing
268064	* * * * *	Feed Driving Eccentric
268065	* * * * - -	Feed Driving Eccentric Adjusting Disc
268066	* * * * *	Feed Driving Eccentric Adjusting Disc Spring
270026	* * * * *	Feed Regulating Stud Spring
276025	- - * * *	Safety Clutch Driving Ball (7/32 in. Diameter) (3)
350440	* * * * *	Bed Oil Screw
412011	* * * * - -	Feed Driving Eccentric Adjusting Disc Spring Collar with 544325 (2)
412029	* * * * - -	Feed Driving Flange with 241763 (2), 263567, 544338 (2), 544350, 544410, 549247 (2)
412031	- - * * *	Safety Clutch complete 244760, 276025 (3), 412032, 514453, 514454 (3), 543802-014
412032	- - * * *	Safety Clutch Over Load Pulley with 544322 (2), 544331 (3)
412033	* * * * *	Hook Driving Shaft Ball Bearing Collar with 544325, 544329
412034	* * * * *	Hook Driving Gear with 544325, 544329
412092	- - * * *	Hook Driving Shaft Bushing (center)
412098	* * * * *	Hook Driving Shaft Ball Bearing Collar complete 244713, 412033
412235	* * * - - -	Feed Driving Eccentric complete 268064, 268065, 268066 412011, 412029, 508499
508499	* * * - * *	Feed Driving Eccentric Connection with 268063
514453	- - * * *	Safety Clutch Disc
514454	- - * * *	Safety Clutch Driving Ball Spring (3)
543802-014	- - * * *	Safety Clutch Over Load Pulley Retaining Ring
544322	- - * * *	Safety Clutch Over Load Pulley Set Screw (2)
544325	* * * * *	Feed Driving Eccentric Adjusting Disc Spring Collar Set Screw (2)
544325	* * * * *	Hook Driving Shaft Ball Bearing Collar Set Screw
544325	* * * * *	Hook Driving Gear Set Screw
544329	* * * * *	Hook Driving Shaft Ball Bearing Collar Position Screw
544329	* * * * *	Hook Driving Gear Position Screw
544331	- - * * *	Safety Clutch Over Load Pulley Adjusting Screw (3)
544338	* * * * *	Feed Driving Eccentric Friction Plate Screw (2)
544346	* * * * *	Hook Driving Shaft Ball Bearing Retaining Washer Screw (3)
544347	* * * * *	Feed Driving Eccentric Connection Friction Washer Screw (3)
544350	* * * * *	Feed Driving Flange Set Screw
544410	* * * * *	Feed Driving Flange Position Screw
549247	* * * * *	Feed Driving Eccentric Friction Plate Screw Set Screw (2)



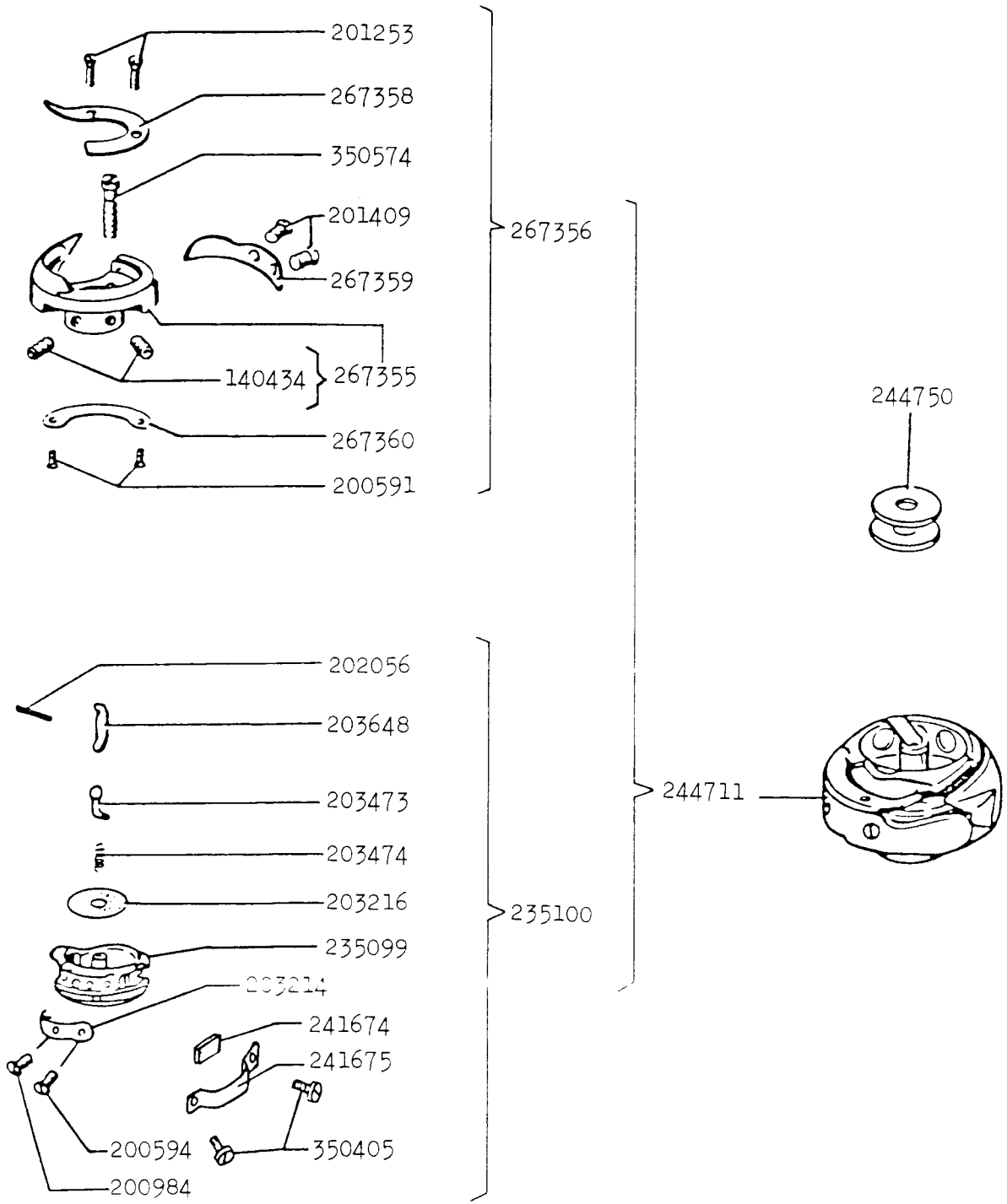
No.	211U157A 442A 211U157A 165A 166A 166A	Description
154780	* * * * *	Feed Driving Rock Shaft Stop Collar Set Screw (4)
202254	* * * * *	Bed Oil Wick (front)
202254	* * * * *	Bed Oil Wick (center)
202254	* * * * *	Bed Oil Wick (back)
223655	* * * * *	Feed Lifting Eccentric Fork Oiling Felt
240259	- - * - -	Feed Dog
243744	* * * * *	Bed Oil Stop Screw Gasket (front)
243744	* * * * *	Bed Oil Stop Screw Gasket (center)
243744	* * * * *	Bed Oil Stop Screw Gasket (back)
244730	* * * * *	Feed Driving Rock Shaft Bushing (center)
244730	* * * * *	Feed Driving Rock Shaft Bushing (back)
350366	* * * * *	Bed Oil Stop Screw (front)
350366	* * * * *	Bed Oil Stop Screw (center)
350366	* * * * *	Bed Oil Stop Screw (back)
412022	* * * * *	Feed Driving Rock Frame with 545154 (2)
412024	- - * * * *	Feed Bar
412026	* * * * *	Feed Lifting Eccentric with 544329
412089	* * * * *	Feed Bar Hinge Screw
412159	- - * - -	Feed Driving Rock Shaft complete 412022, 412089, 412160, 545405
412160	- - * - -	Feed Bar complete 412024, 412161, 543804-005, 544411
412161	* * * - -	Feed Lifting Eccentric Fork with 223655, 549075
412213	* * * - -	Feed Driving Rock Shaft
508304	* * * * *	Feed Driving Rock Shaft Bushing (front)
508327	* * * * *	Feed Driving Rock Shaft Stop Collar (2) with 154780 (2)
543804-005	* * * * *	Feed Lifting Eccentric Fork Screw Washer
544329	* * * * *	Feed Lifting Eccentric Set Screw
544399	* * * * *	Feed Dog Screw (2)
544411	* * * * *	Feed Lifting Eccentric Fork Screw
545154	* * * * *	Feed Driving Rock Frame Pinch Screw (2)
545405	* * * * *	Feed Bar Hinge Screw Nut
549075	* * * * *	Feed Lifting Eccentric Fork Oiling Felt Screw

No.	212U141A 442A 211U157A 165A 166A 566A	Description
202337	* * * - - -	Presser Bar Position Guide
202401	* * * - - -	Take-up Lever Oiling Felt
202671	* * * - - -	Presser Bar Lifter
206608	* * * - - -	Presser Bar Lifting Releasing Lever Bracket Spring
207072	* * * - - -	Presser Bar Bushing (upper)
240067	* * * * * *	Knee Lifter Connection Lever
240564	* * * * * *	Knee Lifter Connection Lever Lifting Rod
267238	* * * - - -	Presser Bar Lifting Releasing Lever Bracket
267251	* * * * * *	Presser Bar Spring (flat)
267289	* * * * * *	Knee Lifter Lifting Lever Spring
412102	* * * * * *	Presser Bar with 500256
411120	* * * * * *	Knee Lifter Connection Lifting Rod Stop Collar with 545205-452
412145	* * * - - -	Presser Bar Spring Bracket with 545295
412146	* * * - - -	Presser Bar Position Guide Lever with 545295
412154	* * * - - -	Knee Lifter Lifting Lever
412228	* * * - - -	Presser Bar Bushing (upper)
500256	* * * * * *	Presser Bar Screw
544341	* * * * * *	Knee Lifter Connection Lever Hinge Screw
544345	* * * * * *	Presser Bar Lifter Hinge Screw
544357	* * * * * *	Presser Bar Spring Regulating Screw
544362	* * * * * *	Knee Lifter Lifting Lever Hinge Screw
544373	* * * - - -	Knee Lifter Lifting Lever Spring Stop Screw
544375	* * * - - -	Presser Bar Lifting Releasing Lever Bracket Guide Screw
544384	* * * * * *	Presser Bar Spring Support Screw
545114	* * * - - -	Take-up Lever Oiling Felt Screw
545205-452	* * * * * *	Knee Lifter Connection Lever Lifting Rod Stop Collar Set Screw
545295	* * * - - -	Presser Bar Position Guide Lever Pinch Screw
545295	* * * - - -	Presser Bar Spring Bracket Pinch Screw
545370	* * * - - -	Presser Bar Position Guide Set Screw
545370	* * * - - -	Presser Bushing Set Screw (upper)
545370	* * * - - -	Presser Bar Bushing Set Screw (lower)

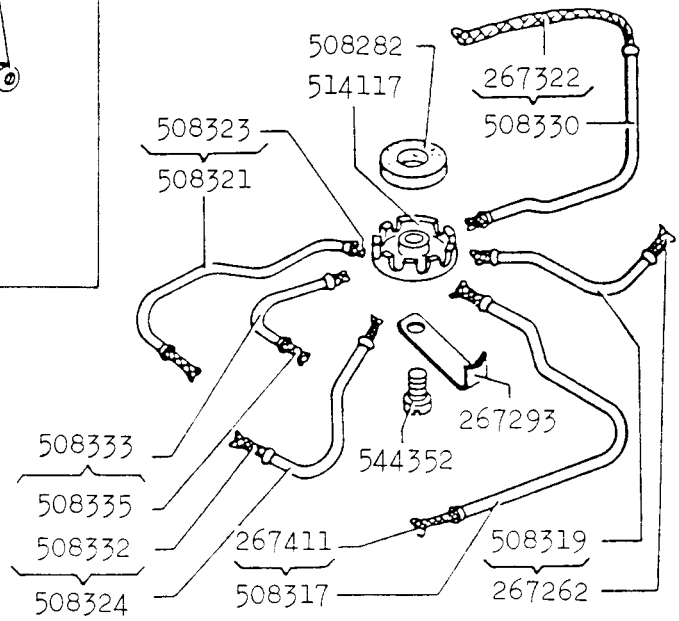
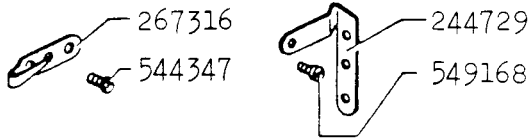
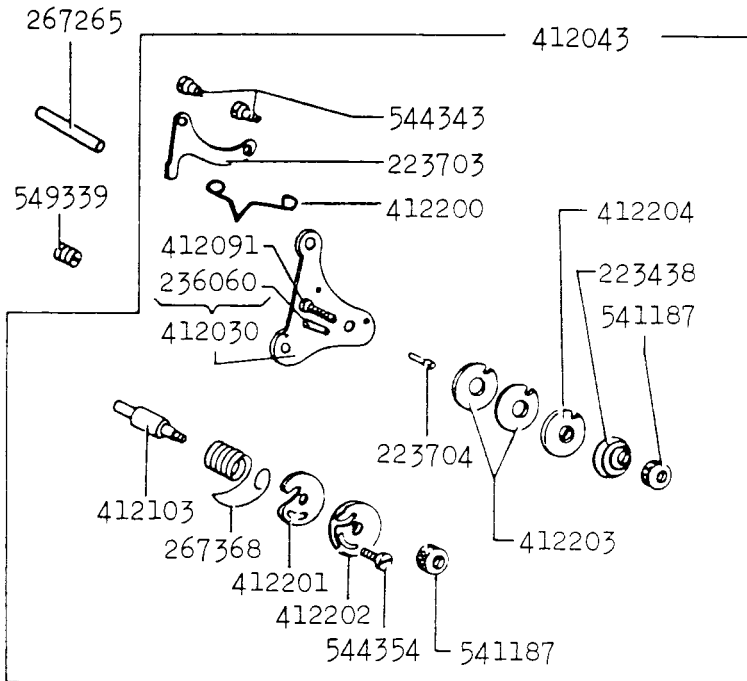
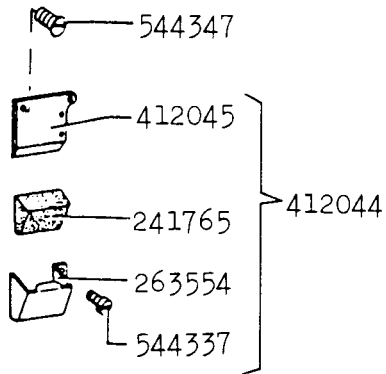


- 549027
- 267351
- 412115
- 267139
- 544364
- 225585
- 544334
- 412237

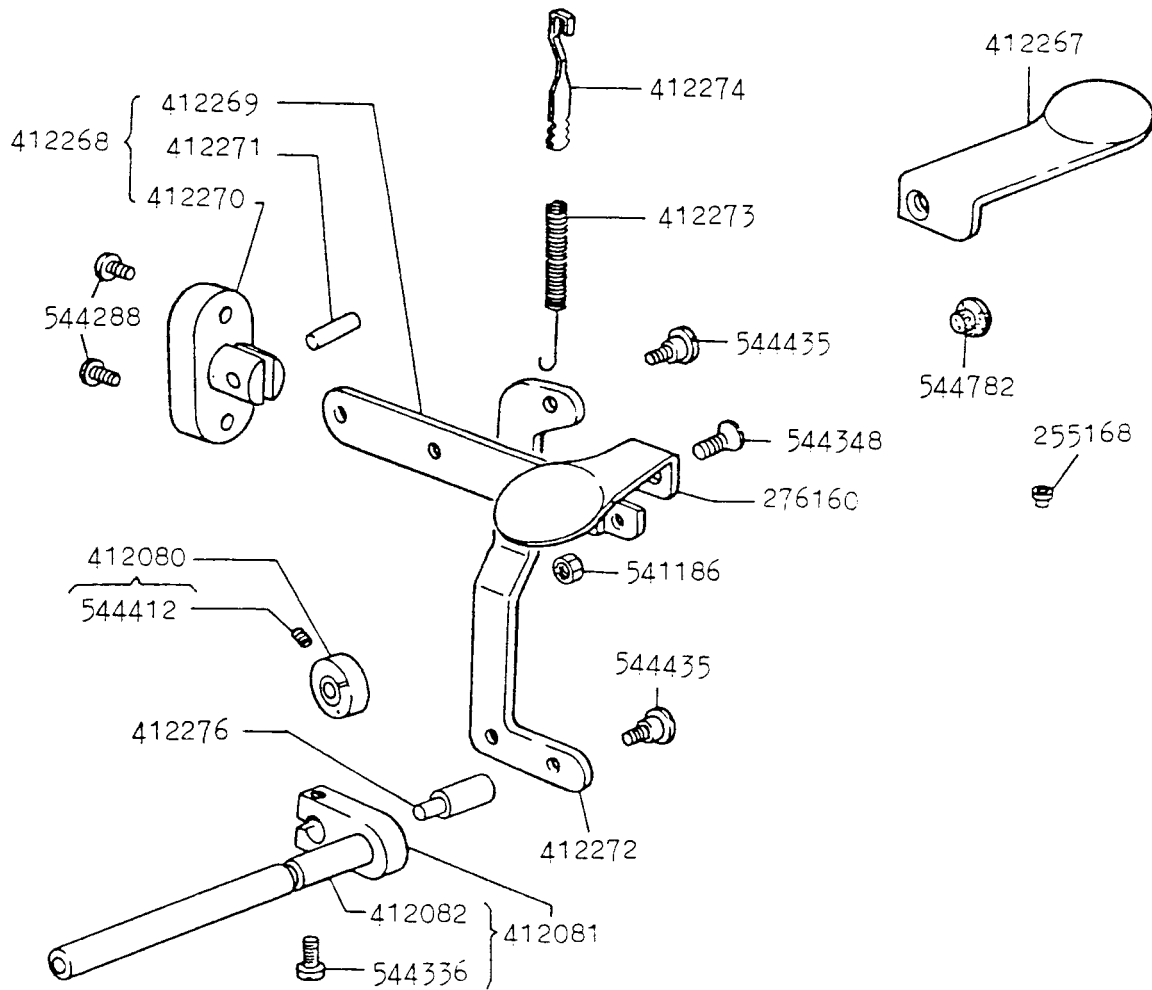
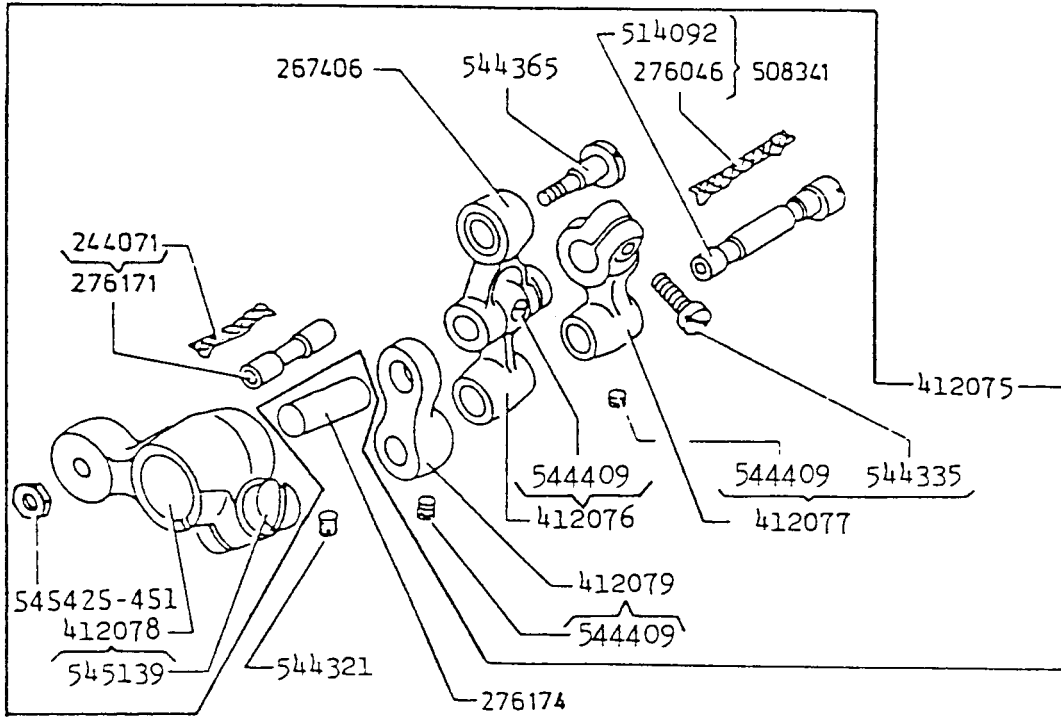
No.	212U11A 442A 211U157A 165A 166A 566A	Description
225585	* * * * *	Hook Saddle Screw Washer
244084	* * * - - *	Hook Saddle Regulating Screw Check Screw Packing
267053	* * * - - *	Hook Ball Bearing
267139	* * * - - *	Pinch Sleeve (lower)
267200	* * * - - *	Hook Saddle Oil Reservoir
267212	* * * - - *	Hook Saddle Oil Reservoir Gasket
267351	* * * - - -	Bobbin Case Opener
267370	* * * - - *	Bobbin Case Opener Driving Cam Shaft Bushing (lower)
267371	* * * - - *	Bobbin Case Opener Driving Cam Shaft Bushing (upper)
271808	* * * - - -	Hook Shaft Oil Filter Felt Holder Seal
412112	* * * - - *	Bobbin Case Opener Cam Shaft
412113	* * * - - *	Bobbin Case Opener Driving Cam Shaft Gear (spiral) with 544366 (2)
412115	* * * - - *	Pinch Sleeve (upper)
412124	* * * - - *	Hook Saddle (right) with 267370, 267371, 412236-900 512727, 514165, 514166, 545080
412156	* * * - - -	Hook Saddle (right) complete 244084, 267053, 267200, 267212, 412112, 412113, 412124, 412158, 412168, 412206, 412246, 504010-452(2), 514171, 514173(2), 514213, 544346 (2), 544356 (2), 544358 (3), 544367, 544379 (8)
412158	* * * - - -	Bobbin Case Opener Crank
412168	* * * - - -	Bobbin Case Opener Crank Hinge Stud
412206	* * * - - -	Hook Driving Pinion (spiral) with 544366 (2)
412236-900	* * * - - *	Hook Saddle Oil Gauge Sleeve
412237	* * * - - *	Hook Saddle Oil Gauge
412246	* * * - - -	Hook Shaft with 271808, 502928, 544426
502928	* * * - - -	Hook Shaft Oil Filter Felt
504010-452	* * * - - *	Hook Ball Bearing Retaining Screw (2)
512727	* * * - - *	Hook Saddle Oil Wick
514165	* * * - - *	Hook Saddle Foam Cushion
514166	* * * - - *	Hook Shaft Bushing
514171	* * * - - *	Hook Saddle Cover Plate
514173	* * * - - *	Hook Ball Bearing Retainer (2)
514213	* * * - - *	Bobbin Case Opener Link
544334	* * * * * *	Hook Saddle Screw
544346	* * * - - *	Hook Saddle Cover Plate Screw (2)
544356	* * * - - *	Bobbin Case Opener Crank Cap Screw
544356	* * * - - *	Bobbin Case Opener Link Cap Screw
544358	* * * - - *	Hook Saddle Oil Regulating Screw Check Screw
544358	* * * - - *	Bobbin Case Opener Crank Hinge Stud Set Screw
544358	* * * - - *	Bobbin Case Opener Crank Hinge Stud Set Screw Check Screw
544364	* * * - - *	Pinch Sleeve Screw
544366	* * * - - *	Bobbin Case Opener Driving Cam Shaft Gear (spiral) Set Screw (2)
544366	* * * - - *	Hook Driving Pinion (spiral) Set Screw (2)
544367	* * * - - *	Hook Saddle Oil Regulating Screw
544379	* * * - - *	Hook Saddle Oil Reservoir Screw (8)
544426	* * * - - -	Hook Shaft Oil Filter Holder
545080	* * * - - *	Hook Saddle Oil Stop Screw
549027	* * * * * *	Bobbin Case Opener Screw



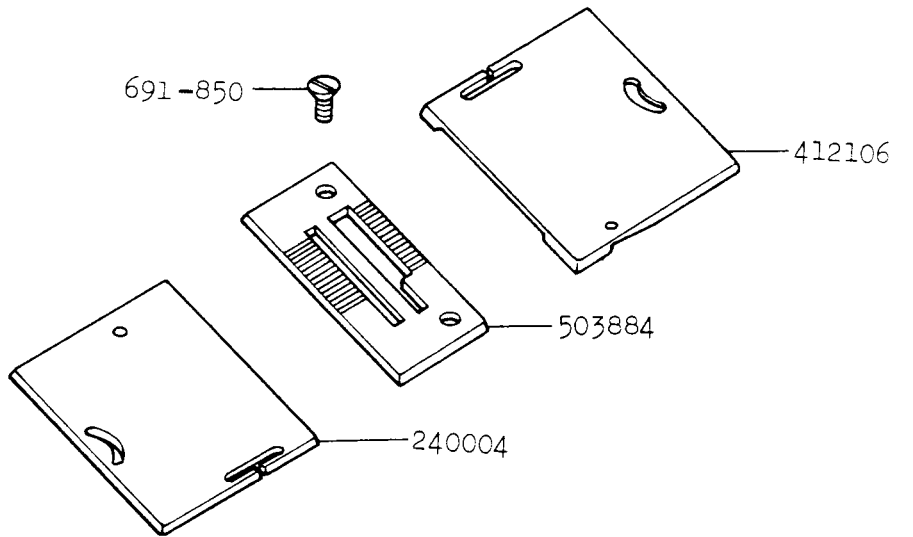
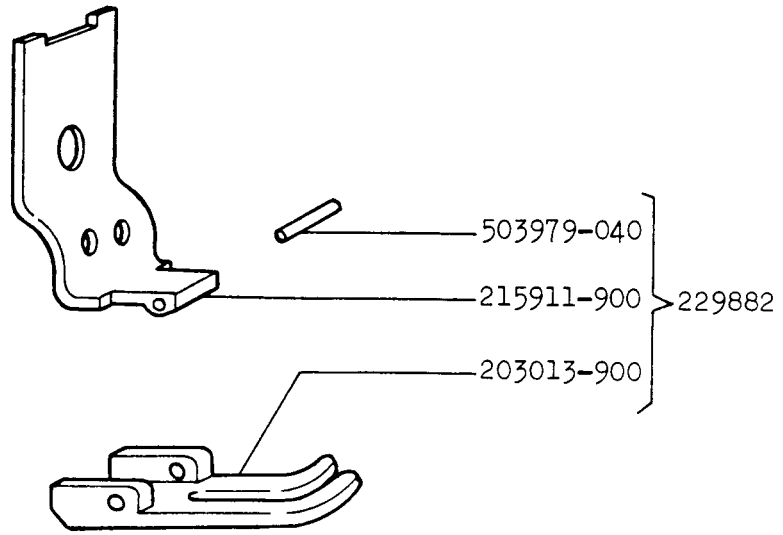
No.	212U141A 442A 211U157A 165A 166A 566A	Description
140434	* * * - - -	Hook Set Screw (2)
200591	* * * - - -	Hook Thread Guard Screw (2)
200594	* * * * * -	Bobbin Case Tension Spring Screw
200984	- - * * * -	Bobbin Case Tension Spring Regulating Screw
201253	* * * - - -	Hook Gib Screw (2)
201409	* * * * * -	Hook Needle Guard Screw (2)
202056	* * * * * -	Bobbin Case Latch Pin
203214	- - * * * -	Bobbin Case Tension Spring
203216	* * * * * -	Bobbin Case Washer (cloth)
203473	* * * * * -	Bobbin Case Latch Plunger
203474	* * * * * -	Bobbin Case Latch Spring
203648	* * * * * -	Bobbin Case Latch
235099	- - * - - -	Bobbin Case Body
235100	- - * - - -	Bobbin Case Body complete 200594, 200984, 202056, 203214, 203216, 203473, 203474, 203648, 235099, 241674, 241675, 350405 (2)
241674	- - * * * -	Bobbin Case Oiling Felt
241675	- - * * * -	Bobbin Case Oiling Felt Retainer
244711	- - * - - -	Hook and Bobbin Case with 235100, 267356
244750	* * * * * -	Bobbin
267355	* * * - - -	Hook (sewing) with 140434
267356	* * * - - -	Hook complete 200591 (2), 201253 (2), 201409 (2), 267355, 267358, 267359, 267360, 350574
267358	* * * - - -	Hook Gib
267359	* * * - - -	Hook Needle Guard
267360	* * * - - -	Hook Thread Guard
350405	- - * * * -	Bobbin Case Oiling Felt Retainer Screw (2)
350574	* * * - - -	Hook Hight Adjusting Screw



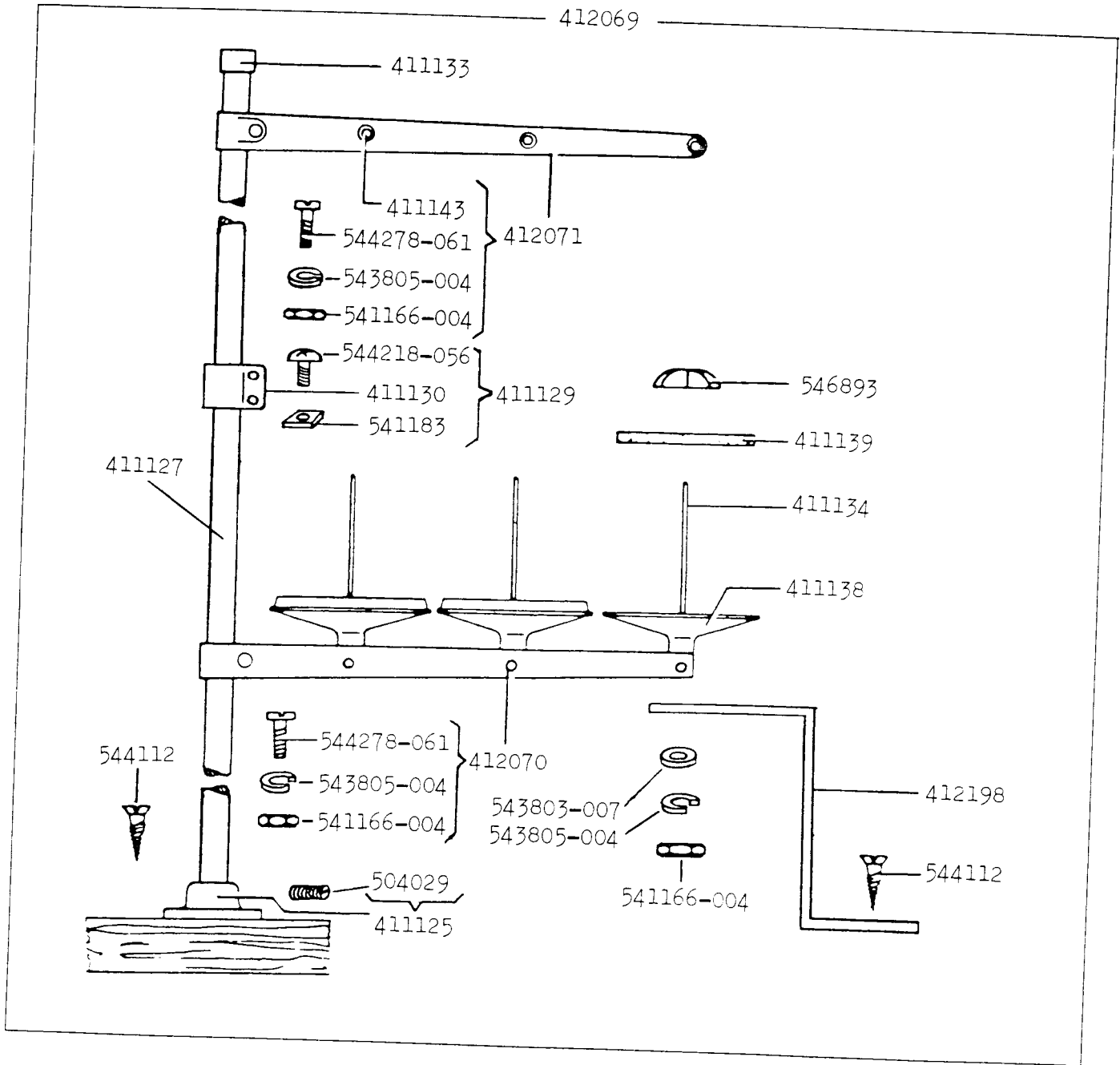
No.	212U141A 442A 211U157A 165A 166A 566A	Description
223438	- - * * * *	Tension Spring
223703	* * * * * *	Tension Release Lever
223704	* * * * * *	Tension Release Plunger
236060	* * * * * *	Tension Disc Position Pin
241765	- - * * * *	Thread Lubricator Oil Pad (felt)
244729	- - * * * *	Thread Retainer
263554	- - * * * *	Thread Lubricator Oil Pad Holder
267262	- - * * * *	Feed Driving Rock Shaft Bushing Oil Tube Wick
267265	* * * * * *	Tension Release Lever Rod
267293	* * * * * *	Bed Oil Tube Clamp
267316	* * * * * *	Thread Guide
267322	* * * * * *	Bed Oil Supply Tube Oil Wick
267368	* * * * * *	Thread Controller Spring
267411	* * * * * *	Feed Driving Rock Shaft Bushing Oil Tube Wick
412030	- - * * * *	Tension Bracket with 236060
412043	- - * * * *	Tension Bracket complete 223438, 223703, 223704, 267368, 412030, 412103, 412201, 412202, 412203, 412204, 541187 (2), 544343 (2), 544354 (2)
412044	- - * * * *	Thread Lubricator Oil Pad Holder complete 241765, 263554, 412045, 544337 (2)
412045	- - * * * *	Thread Lubricator Plate
412091	* * * * * *	Tension Stud
412103	* * * * * *	Thread Controller Stud
412200	* * * * * *	Tension Release Lever Spring
412201	* * * * * *	Thread Controller Spring Stop
412202	* * * * * *	Thread Controller Disc
412203	* * * * * *	Tension Disc (2)
412204	* * * * * *	Tension Release Washer
508282	* * * * * *	Bed Oil Tube Clamp Oiling Felt
508317	- - * * * *	Feed Driving Rock Shaft Bushing Oil Tube with 267411
508319	- - * * * *	Feed Driving Rock Shaft Bushing Oil Tube with 267262
508321	- - * * * *	Hook Driving Shaft Bearing Left Oil Tube with 508323
508323	- - * * * *	Hook Driving Shaft Bearing Left Oil Tube Wick
508324	- - * * * *	Hook Saddle Bearing Oil Tube with 508332
508330	- - * * * *	Bed Oil Supply Tube with 267322
508332	- - * * * *	Hook Saddle Bearing Oil Tube Wick
508333	- - * * * *	Feed Driving Eccentric Connection Oil Tube with 508335
508335	- - * * * *	Feed Driving Eccentric Connection Oil Tube Wick
514117	* * * * * *	Bed Oil Tube Clamp
541187	* * * * * *	Tension Thumb Nut (2)
544337	- - * * * *	Thread Lubricator Oil Pad Holder Screw (2)
544343	* * * * * *	Tension Release Lever Hinge Stud (2)
544347	- - * * * *	Thread Lubricator Plate Screw (2)
544347	* * * * * *	Thread Guide Screw
544352	* * * * * *	Bed Oil Tube Clamp Screw
544354	- - * * * *	Thread Controller Disc Screw
549168	* * * * * *	Thread Retainer Screw
549339	* * * * * *	Tension Controller Stud Set Screw



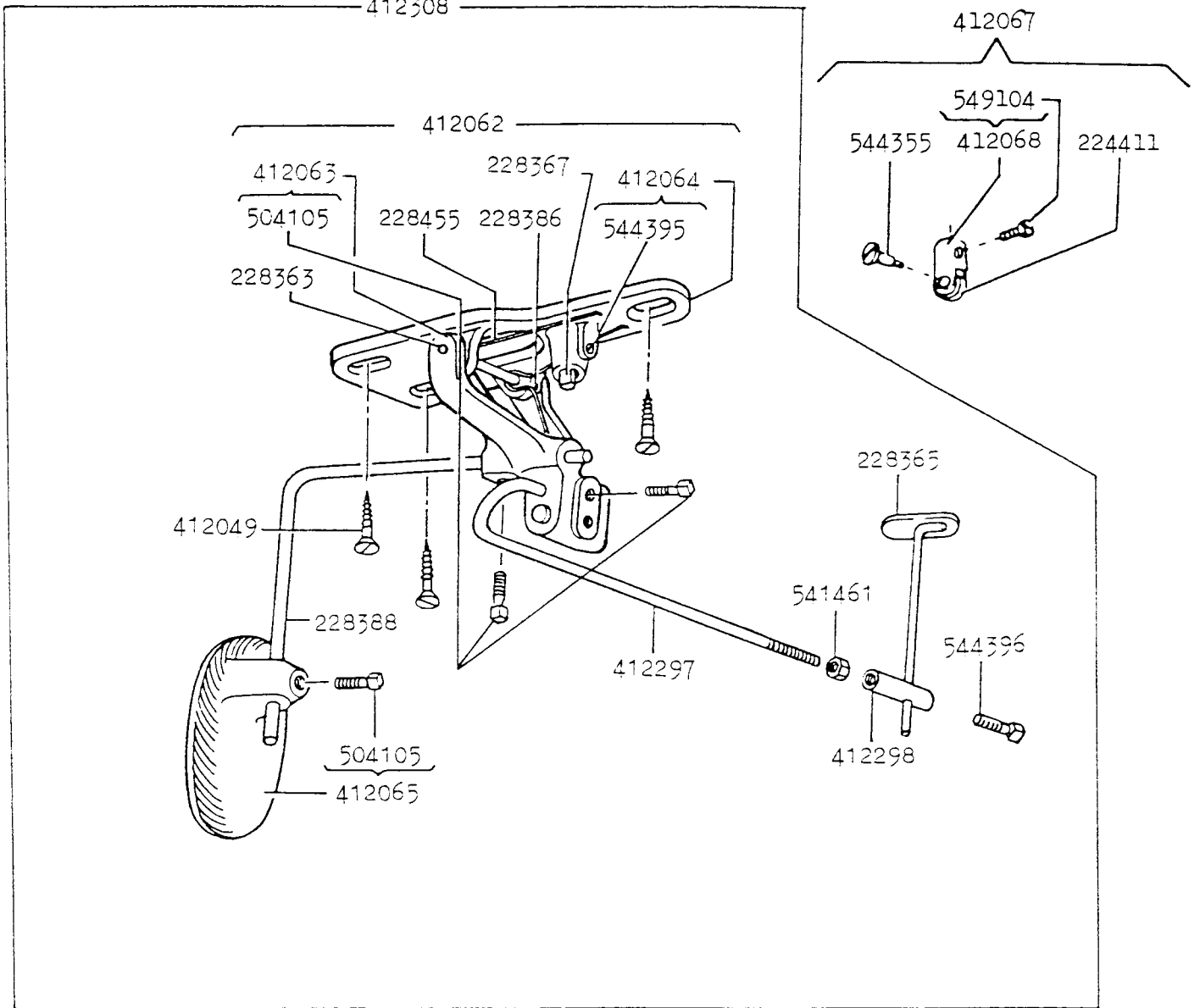
No.	212U141A 442A 211U157A 165A 166A 566A	Description
244071	* * * - * *	Feed Driving Eccentric Connection Link Hinge Pin Oil Packing (wick)
255168	* * * - * *	Bed Oil Cup (2)
267406	* * * - * *	Feed Driving Eccentric Connection Link
276046	* * * - * *	Feed Reversing Shaft Crank Hinge Stud Oil Packing (wick)
276160	* * * - * *	Feed Reversing Lever Handle
276171	* * * - * *	Feed Driving Eccentric Connection Link Hinge Pin with 244071
276174	* * * - * *	Feed Reversing Mechanism Support Link Stud
412075	* * * - * -	Reverse Feed complete 267406, 276171, 412076, 412077, 412078, 412079, 508341, 544365, 545425-451
412076	* * * - * -	Feed Reversing Shaft Crank Link with 544409
412077	* * * - * -	Feed Reversing Shaft Crank with 544335, 544409
412078	* * * - * *	Feed Driving Rock Shaft Crank with 545139
412079	* * * - * -	Feed Reversing Mechanism Support Link with 544409
412080	* * * - * *	Feed Reversing Lever Spring Collar with 544412 (2)
412081	* * * - * *	Feed Reversing Shaft complete 412082, 544336
412082	* * * - * *	Feed Reversing Shaft
412267	* * * - * *	Feed Reversing Lever Handle (optional)
412268	* * * - * *	Feed Reversing Lever complete 412269, 412270, 412271
412269	* * * - * *	Feed Reversing Lever
412270	* * * - * *	Feed Reversing Lever Bracket
412271	* * * - * *	Feed Reversing Lever Hinge Pin
412272	* * * - * *	Feed Reversing Lever Link
412273	* * * - * *	Feed Reversing Lever Spring
412274	* * * - * *	Feed Reversing Lever Spring Hook
412276	- - * - * -	Feed Reversing Shaft Driving Stud
508341	* * * - * *	Feed Reversing Shaft Crank Hinge Stud complete 276046, 514092
514092	* * * - * *	Feed Reversing Shaft Crank Hinge Stud
541186	* * * - * *	Feed Reversing Lever Handle Screw Nut
544288	* * * - * *	Feed Reversing Lever Bracket Screw (2)
544321	* * * - * *	Feed Reversing Mechanism Support Link Stud Set Screw
544335	* * * - * *	Feed Reversing Shaft Crank Pinch Screw
544336	* * * - * *	Feed Reversing Shaft Driving Stud Pinch Screw
544348	* * * - * *	Feed Reversing Lever Handle Screw
544365	* * * - * *	Feed Driving Rock Shaft Crank Hinge Screw
544409	* * * - * *	Feed Reversing Shaft Crank Hinge Stud Set Screw
544409	* * * - * *	Feed Driving Eccentric Connection Link Hinge Pin Set Screw
544409	* * * - * *	Feed Reversing Shaft Crank Hinge Stud Set Screw
544412	* * * - * *	Feed Reversing Lever Spring Collar Set Screw (2)
544435	* * * - * *	Feed Reversing Lever Hinge Screw (2)
544782	* * * - * *	Arm Cap (rear)
545139	* * * - * *	Feed Driving Rock Shaft Crank Pinch Screw
545425-451	* * * - * *	Feed Driving Rock Shaft Crank Hinge Screw Nut



No.	212U141A 442A 211U157A 165A 166A 566A	Description
691-850	* * * * *	Throat Plate Screw (2)
203013-900	- - * - - -	Presser Foot Plate
215911-900	- - * - - -	Presser Foot Shank
229882	- - * - - -	Presser Foot (Hinged) complete 203013-900, 215911-900
240004	- - * * * *	503979-040 Bed Slide (front)
412106	- - * * * *	Bed Slide (back)
503884	- - * - - -	Throat Plate
503979-040	- - * - - -	Presser Foot Hinge Pin



No.	212U141A 442A 211U157A 165A 166A 566A	Description
411125	* * * * *	Thread Unwinder Foot With 504029
411127	* * * * *	Thread Unwinder Rod (2)
411129	* * * * *	Thread Unwinder Rod Connection Complete 411130, 541183, 544218-056
411130	* * * * *	Thread Unwinder Rod Connection (2)
411133	* * * * *	Thread Unwinder Rod Cap
411134	* * * * *	Thread Unwinder Spool (3)
411138	* * * * *	Thread Unwinder Spool Carrier Plate (3)
411139	* * * * *	Thread Unwinder Spool Cushion (3)
411143	* * * * *	Thread Unwinder Thread Guide Bushing (3)
412069	* * * * *	Thread Unwinder Complete 411125, 411127, 411129, 411133, 411138, 411139, 412070, 412071, 544112, 546893
412070	* * * * *	Thread Unwinder Spool Carrier Arm With 541166-001, 543805-004, 544278-061
412071	* * * * *	Thread Unwinder Thread Guide With 411143, 541166-001, 543805-004, 544278-061
412198	* * * * *	Thread Unwinder Spool Carrier Arm Holder Plate
504029	* * * * *	Thread Unwinder Rod Set Screw (2)
541166-004	* * * * *	Thread Unwinder Spool Nut (3)
541166-004	* * * * *	Thread Unwinder Spool Carrier Arm Screw Nut
541166-004	* * * * *	Thread Unwinder Thread Guide Nut
541183	* * * * *	Thread Unwinder Rod Connection Screw Nut (2)
543803-007	* * * * *	Thread Unwinder Spool Washer (3)
543805-004	* * * * *	Thread Unwinder Spool Spring Washer (3)
543805-004	* * * * *	Thread Unwinder Spool Carrier Arm Screw Spring Washer
543805-004	* * * * *	Thread Unwinder Thread Guide Spring Washer (3)
544112	* * * * *	Thread Unwinder Wood Screw (3)
544112	* * * * *	Thread Unwinder Spool Carrier Arm Holder Plate Wood Screw
544218-056	* * * * *	Thread Unwinder Rod Connection Screw (2)
544278-061	* * * * *	Thread Unwinder Spool Carrier Arm Screw
544278-061	* * * * *	Thread Unwinder Thread Guide Screw
546893	* * * * *	Thread Unwinder Spool Holder (3)



No.	212U141A 442A 211U157A 165A 166A 566A	Description
224411	* * * * *	Knee Lifter Connection Lever Lifting Rod Roller
228363	* * * * *	Knee Lifter Rock Lever Hinge Pin
228365	* * * * *	Knee Lifter Rock Lever Rod
228367	* * * * *	Knee Lifter Rock Lever Stop Stud
228386	* * * * *	Knee Lifter Rock Lever Spring
228388	* * * * *	Knee Lifter Rock Lever Knee Plate Arm
228455	* * * * *	Knee Lifter Rock Lever Position Spring
412049	* * * * *	Wood Screw (3)
412062	* * * * *	Knee Lifter Rock Lever Bracket complete 228363, 228367, 228386, 228455, 412063, 412064
412063	* * * * *	Knee Lifter Rock Lever with 504105 (2)
412064	* * * * *	Knee Lifter Rock Lever Bracket with 544395
412065	* * * * *	Knee Lifter Rock Lever Knee Plate with 504105
412067	* * * * *	Knee Lifter Connection Lever Lifting Rod Roller complete 224411, 412068, 544355
412068	* * * * *	Knee Lifter Connection Lever Lifting Rod Roller Bracket with 549104
412296	* * * * *	Knee Lifter Rock Lever Extension complete 412297, 412298, 544396
412297	* * * * *	Knee Lifter Rock Lever Extension
412298	* * * * *	Knee Lifter Rock Lever Holder
412308	* * * * *	Knee Lifter Rock Lever complete 228365, 228388, 412049 (3), 412062, 412065, 412296
504105	* * * * *	Knee Lifter Rock Lever Extension Set Screw
504105	* * * * *	Knee Lifter Rock Lever Knee Plate Arm Set Screw
504105	* * * * *	Knee Lifter Rock Lever Knee Plate Set Screw
541461	* * * * *	Knee Lifter Rock Lever Holder Lock Nut
544355	* * * * *	Knee Lifter Connection Lever Lifting Rod Roller Hinge Screw
544395	* * * * *	Knee Lifter Rock Lever Stop Stud Set Screw
544396	* * * * *	Knee Lifter Rock Lever Rod Set Screw
549104	* * * * *	Knee Lifter Connection Lever Lifting Rod Roller Pinch Screw

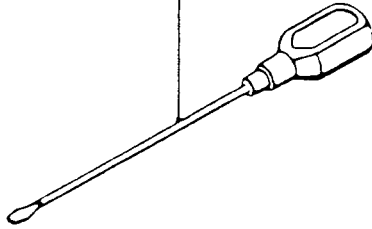
1901-19



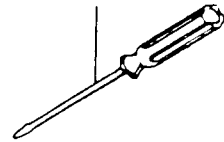
244750



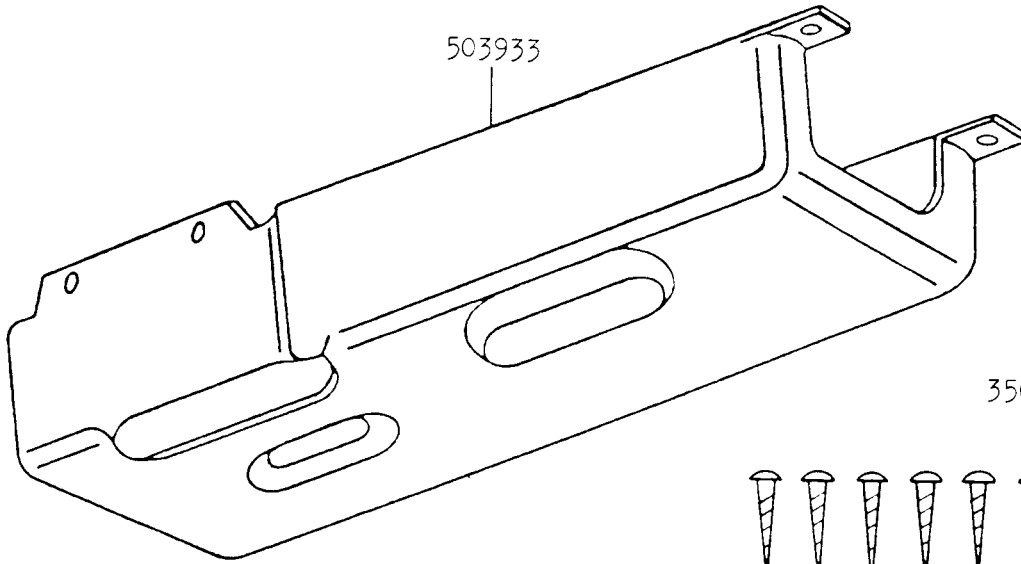
548701



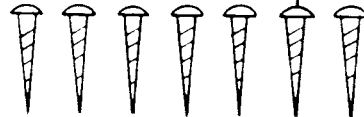
541514



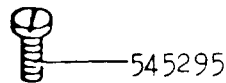
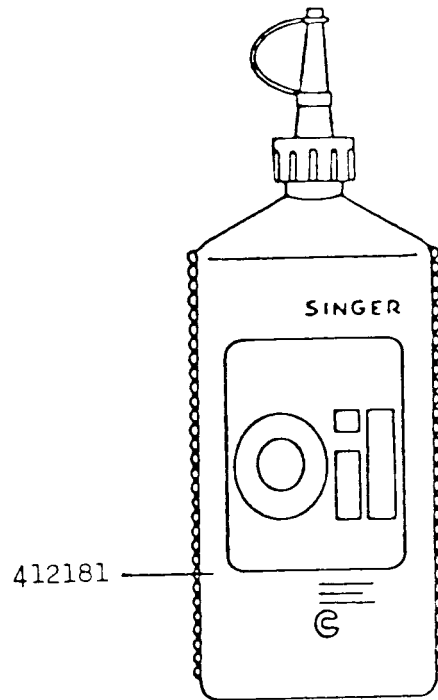
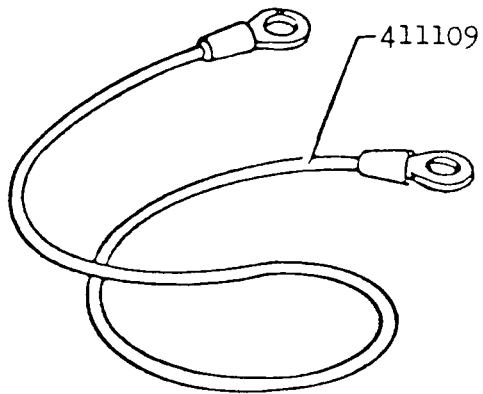
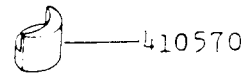
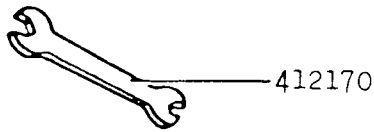
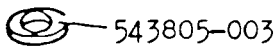
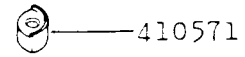
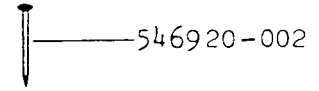
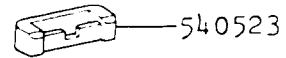
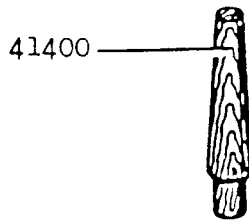
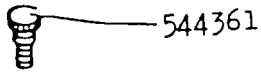
503933



350708

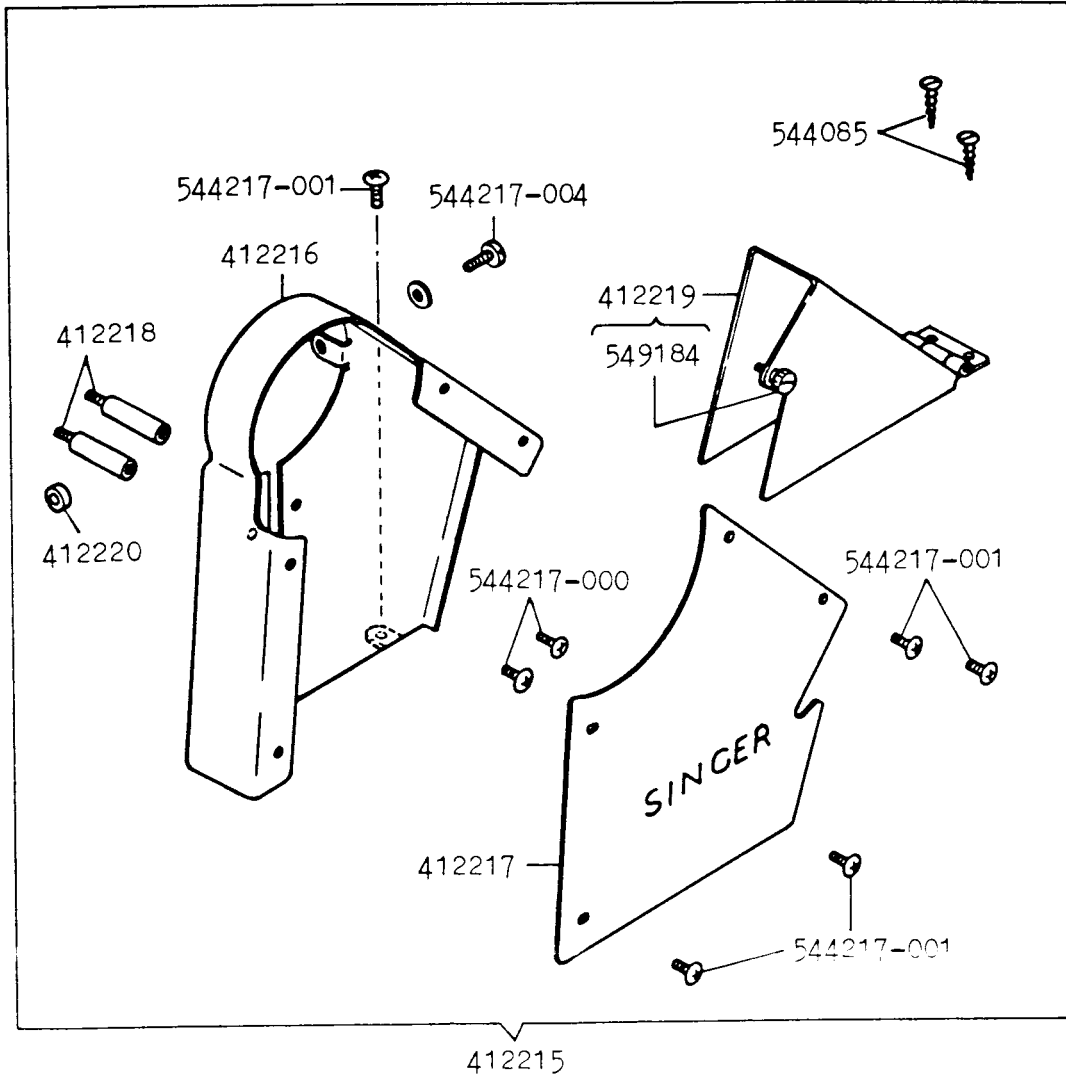


No.	212U141A 441A 211U157A 165A 166A 566A	Description
1901-19	- - * - - -	Needle (135 x 7 #19) (5)
244750	* * * * * *	Bobbin (4)
350708	* * * * * *	Drip Pan Screw Nail (7)
503933	* * * * * *	Drip Pan
541514	* * * * * *	Screw Driver (small)
548701	* * * * * *	Screw Driver (long)



No.	212U141A 442A 211U157A 165A 166A 566A	Description
41400	* * * * *	Machine Rest Pin (wood)
410570	* * * * *	Machine Rest (front) (2)
410571	* * * * *	Machine Rest (back) (2)
411109	* * * * *	Machine Grounding Wire
412170	* * * * *	Wrench
412181	* * * - - -	Oiler (250cc, C Type)
503646	* * * * *	Wrench (3/32 inch, Hexagon)
540522	- - * * * *	Machine Hinge Connection (2)
540523	* * * * *	Machine Hinge Connection Cushion (2)
543805-003	* * * * *	Machine Grounding Wire Lock Washer
544361	- - * * * *	Bed Slide Thumb Screw
545295	* * * * *	Attachment Screw
546920-002	* * * * *	Nail (4)

OPTIONAL PARTS



No.	212U141A 442A 211U157A 165A 166A 566A	Description
		<u>OPTION</u>
412215	* * * * *	Belt Guard Cpl. 412216, 412217, 412218 (2), 412219, 412220, 544085 (2), 544217-001 (7), 544217-004
412216	* * * * *	Belt Guard
412217	* * * * *	Belt Guard Plate
412218	* * * * *	Belt Guard Screw Stud (2)
412219	* * * * *	Belt Guard (lower) with 549184
412220	* * * * *	Belt Guard Screw Collar
544085	* * * * *	Belt Guard (lower) Wood Screw (2)
544217-001	* * * * *	Belt Guard Screw (3)
544217-001	* * * * *	Belt Guard Plate Screw (4)
544217-004	* * * * *	Belt Guard Screw (long)
549184	* * * * *	Belt Guard (lower) Thumb Screw