

SINGER
211G446,G451,G457

TEMPORARY

ILLUSTRATED

PARTS CARD

for

SINGER

MACHINE

211 G 446-01

211 G 446-02

211 G 451-01

211 G 451-02

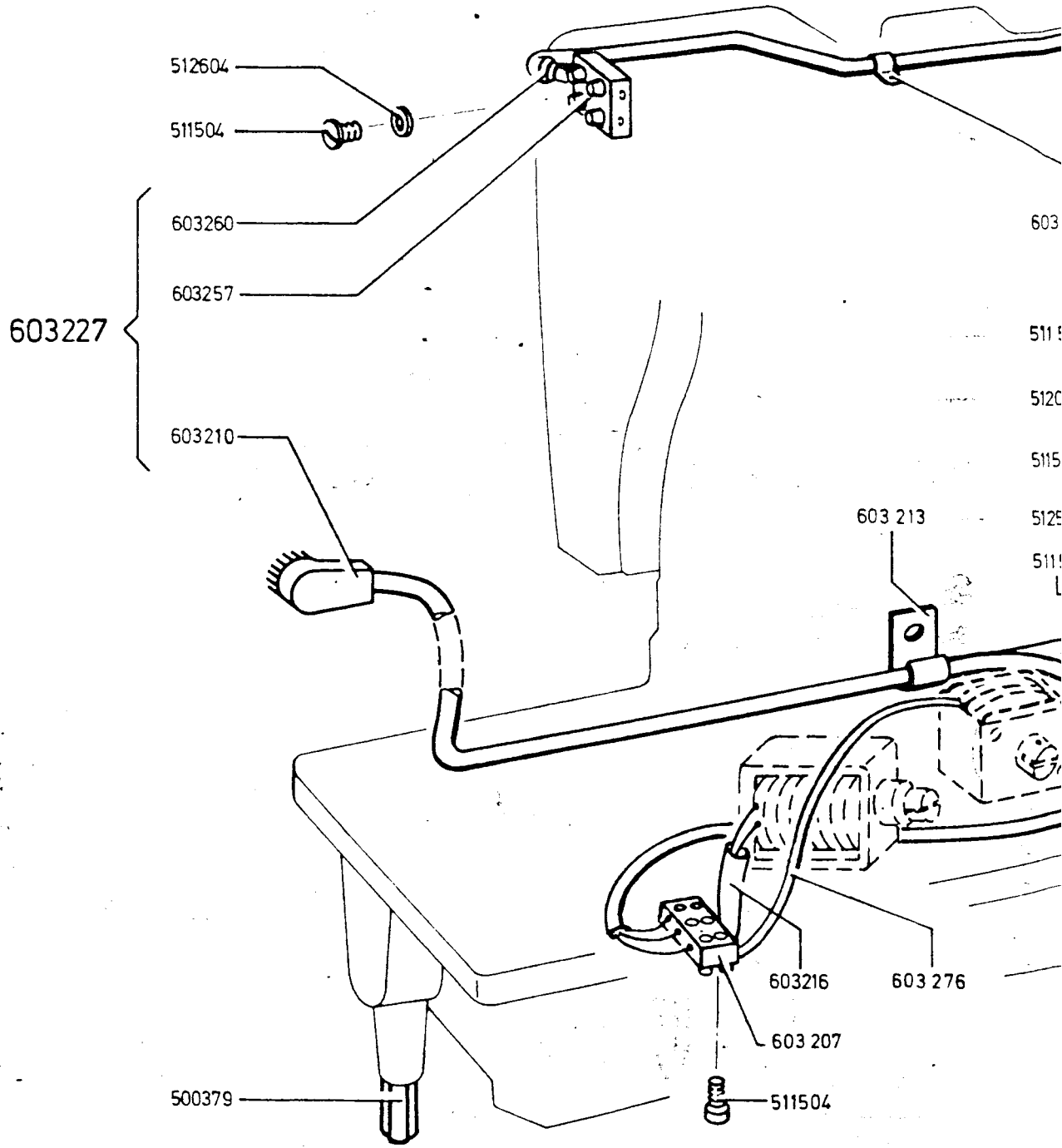
211 G 457-01

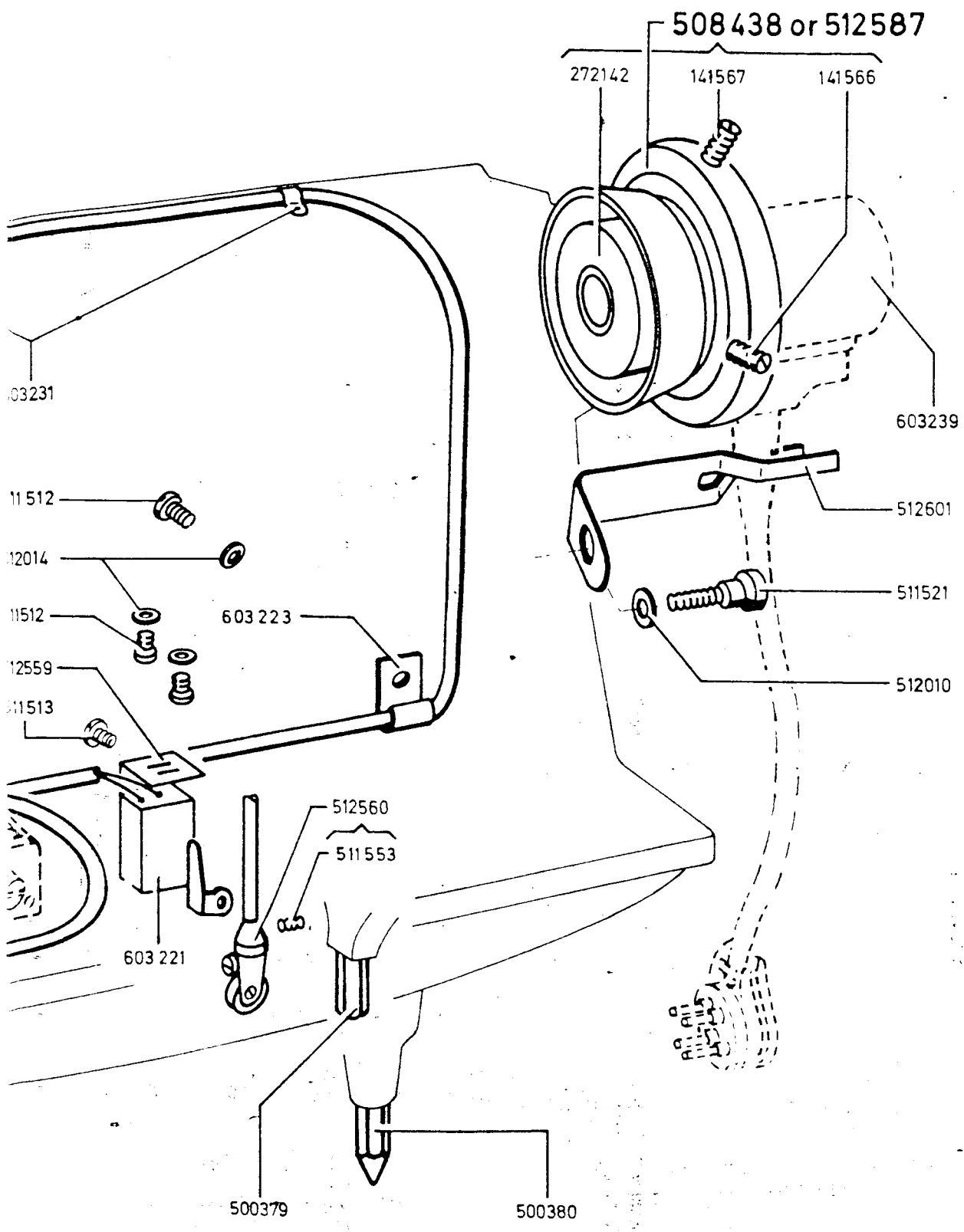
211 G 457-02

PLEASE DISREGARD INFORMATION ON 211 G 446;
MACHINE WAS DELETED.

(369)

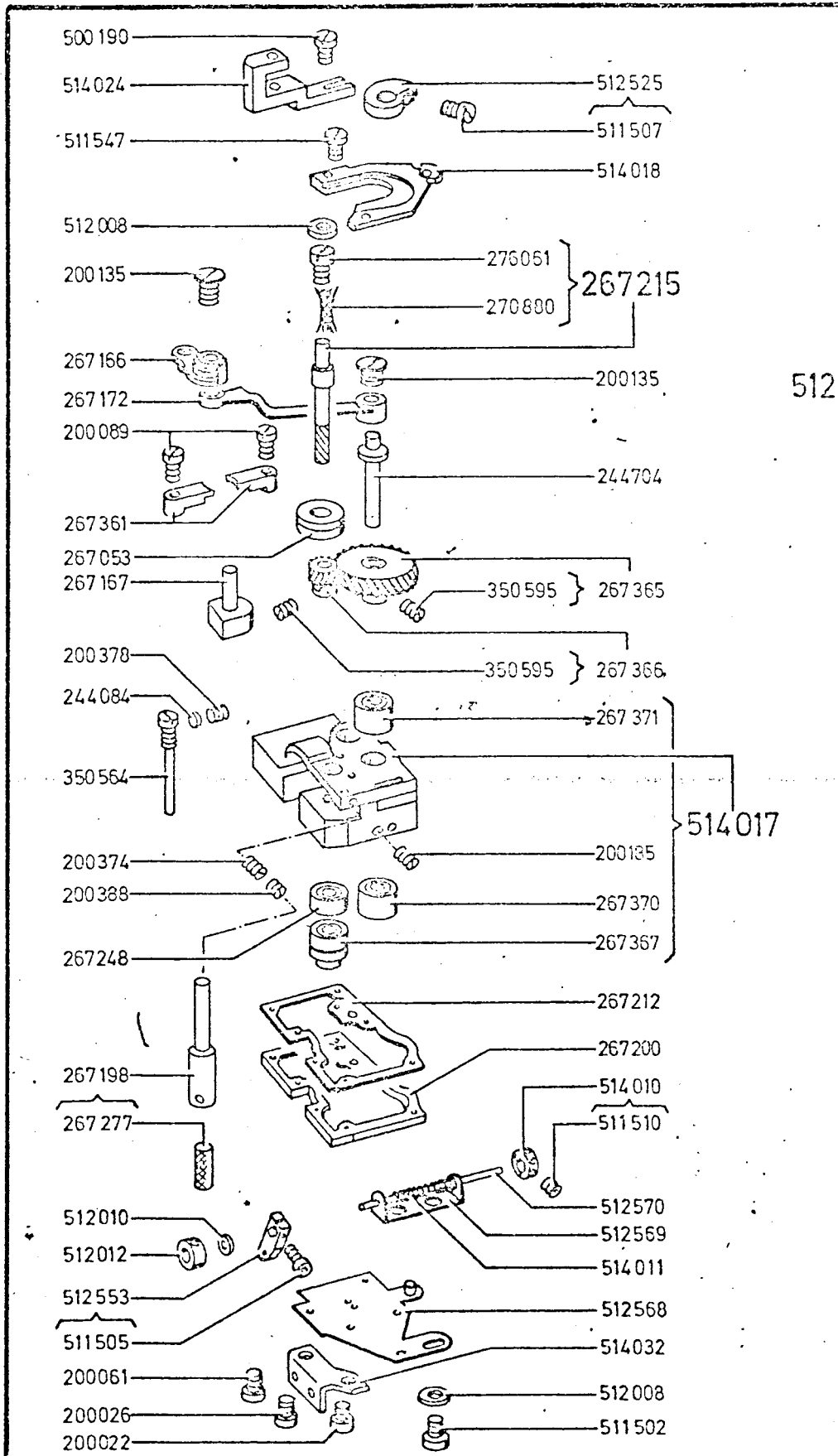
PARTS FOR MACHINE 211G451-02 AND 211G457-02





3

PARTS FOR MACHINE 211 G 446-01, 211G 446-02
 211 G 451- 01, 211G 451-02
 211 G 457- 01, 211G 457-02



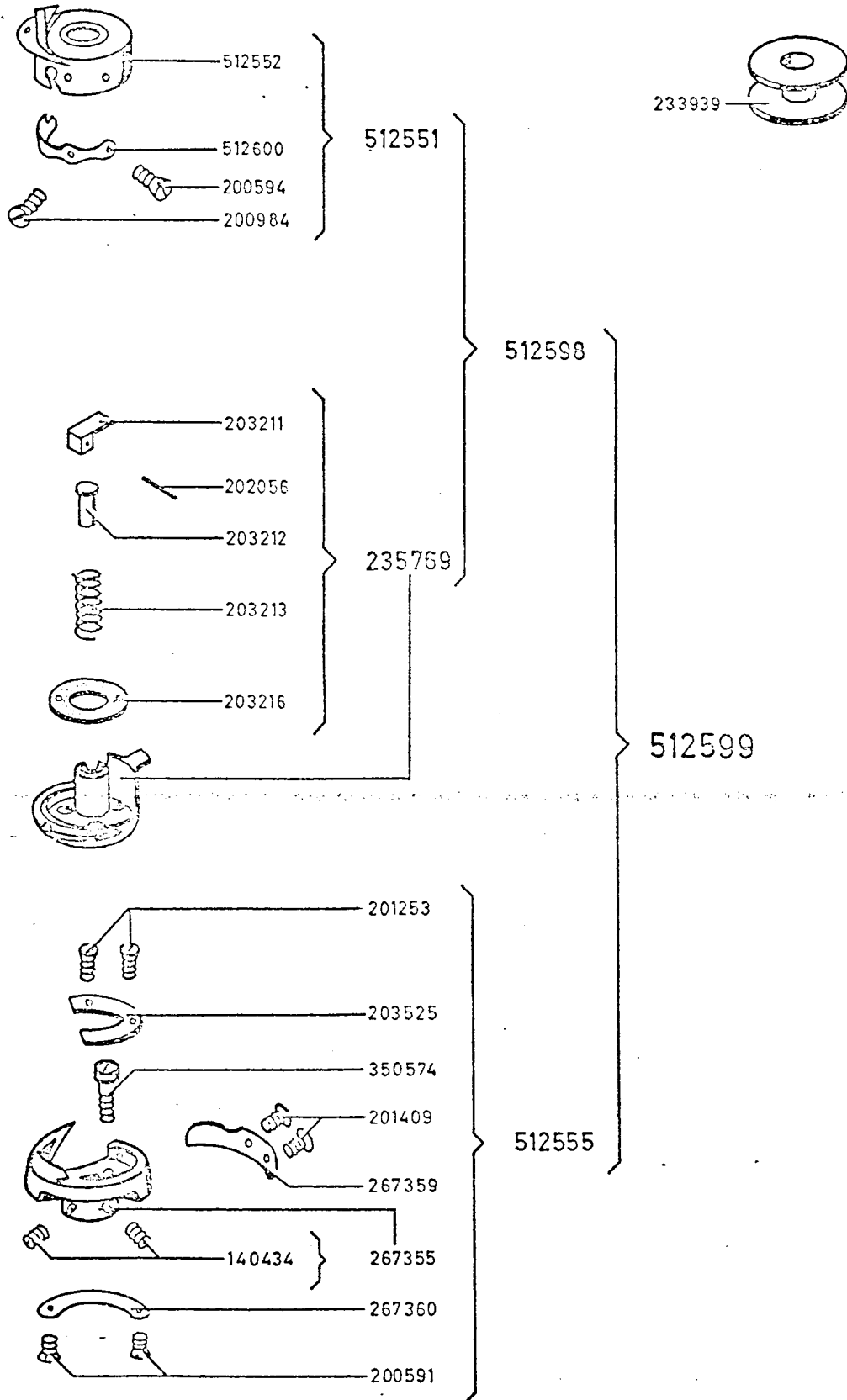
PARTS FOR MACHINE CLASS 211

(-01 = USA, -02 = EUROPE)

PART NO.	G 446		G 451		G 457		NAME
	-01	-02	-01	-02	-01	-02	
140434-833	x	x	x	x	x	x	HOOK SET SCREW (2)
200591-819	x	x	x	x	x	x	THREAD GUIDE SCREW (2)
200594-805	x	x	x	x	x	x	TENSION SPRING SCREW (2)
200984-803	x	x	x	x	x	x	TENSION SPRING ADJUSTING SCREW
201253-806	x	x	x	x	x	x	HOOK GIB SCREW (2)
201409-806	x	x	x	x	x	x	HOOK NEEDLE GUARD SCREW (2)
+202056	x	x	x	x	x	x	BOBBIN CASE LATCH PIN
203211	x	x	x	x	x	x	BOBBIN CASE BASE LATCH
203212	x	x	x	x	x	x	BOBBIN CASE BASE LATCH PLUNGER
203213	x	x	x	x	x	x	BOBBIN CASE BASE LATCH SPRING
203216	x	x	x	x	x	x	BOBBIN CASE WASHER (CLOTH)
203525	x	x	x	x	x	x	HOOK GIB
233939	x	x	x	x	x	x	BOBBIN
235769	x	x	x	x	x	x	BOBBIN CASE BASE WITH +202056, 203211, 203212, 203213 AND 203216
267355	x	x	x	x	x	x	HOOK BODY WITH TWO 140434
267359	x	x	x	x	x	x	HOOK NEEDLE GUARD
267360	x	x	x	x	x	x	HOOK THREAD GUIDE
350574-806	x	x	x	x	x	x	HOOK HEIGHT ADJUSTING SCREW
512551	x	x	x	x	x	x	BOBBIN CASE WITH 200594, 512552, 200984 AND 512600
512552	x	x	x	x	x	x	BOBBIN CASE
512555	x	x	x	x	x	x	HOOK CPL. NOS. 203525, 267355, 267359, 267360, 350574 AND TWO EACH 200591, 201253 AND 201409
512598	x	x	x	x	x	x	BOBBIN CASE CPL. NOS. 235769 AND 512551
512599	x	x	x	x	x	x	HOOK AND BOBBIN CASE CPL. NOS. 512555 AND 512598
512600	x	x	x	x	x	x	BOBBIN CASE TENSION SPRING

PARTS MARKED WITH AN ASTERISK (+) ARE FURNISHED ONLY WHEN REPAIRS ARE MADE AT THE FACTORY.

Parts for Machine 211 G 446-01, 211 G 446-02
 211 G 451-01, 211 G 451-02
 211 G 457-01, 211 G 457-02



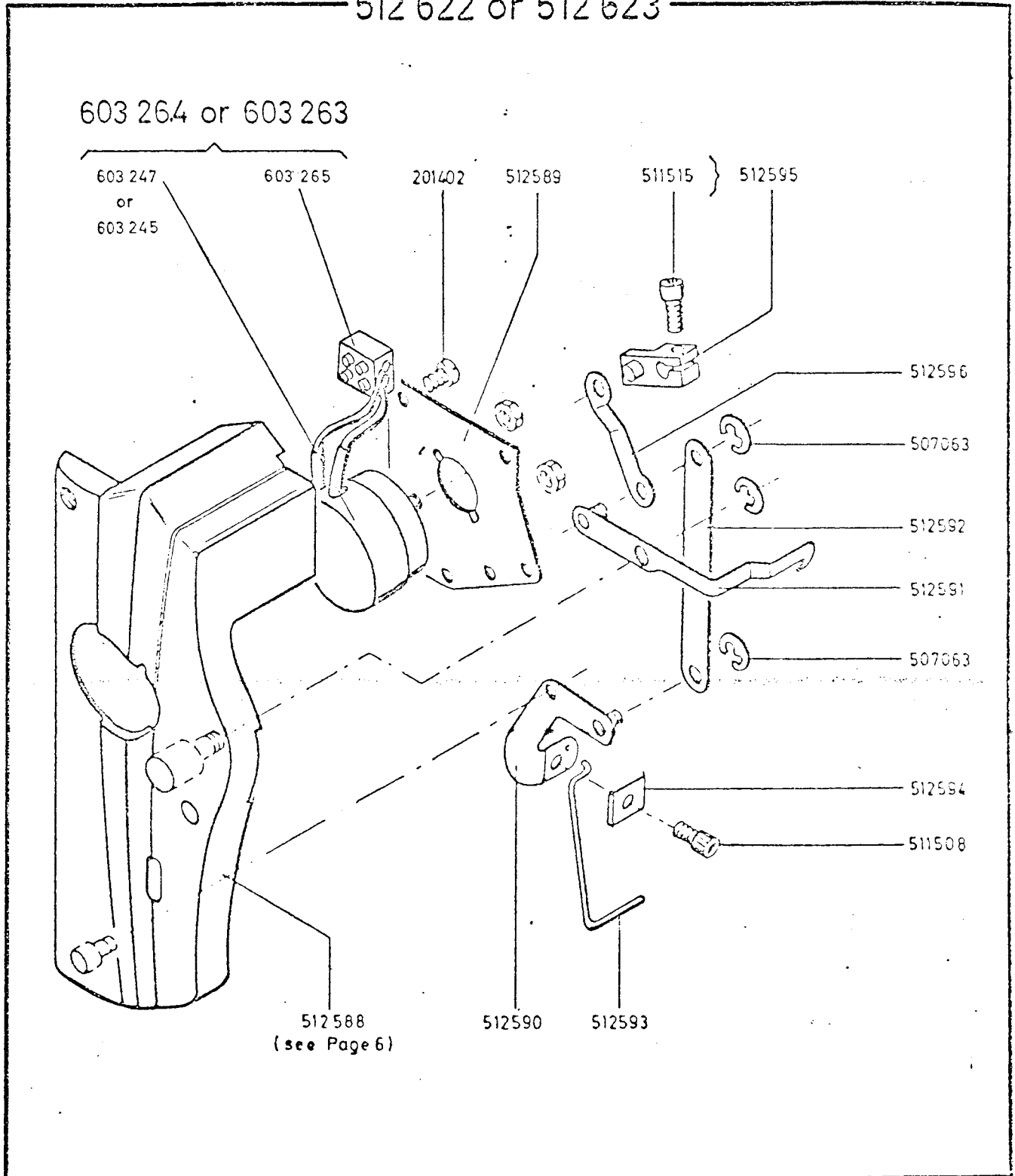
PARTS FOR MACHINE CLASS 211

(-01 = USA, -02 = EUROPE)

PART NO.	G 446		G 451		G 457		NAME
	-01	-02	-01	-02	-01	-02	
201402-819	-	-	x	x	x	x	SOLENOID PLATE SCREW (5)
507063	-	-	x	x	x	x	RETAINING RING (3)
511508-869	-	-	x	x	x	x	THREAD WIPER CLAMP SCREW
511515-869	-	-	x	x	x	x	CRANK PINCH SCREW
512588	-	-	x	x	x	x	FACE PLATE
512589	-	-	x	x	x	x	SOLENOID PLATE
512590	-	-	x	x	x	x	BRACKET LINK
512591	-	-	x	x	x	x	THREAD PULLER
512592	-	-	x	x	x	x	CONNECTION LINK
512593	-	-	x	x	x	x	THREAD WIPER
512594	-	-	x	x	x	x	THREAD WIPER CLAMP
512595	-	-	x	x	x	x	CRANK WITH 511515
512596	-	-	x	x	x	x	CONNECTION LINK
512622	-	-	x	-	x	-	FACE PLATE WITH ROTARY SOLENOID CPL. NOS. 511508, 512588, 512589, 512590, 512591, 512592, 512593, 512594, 512595, 512596, 603264 THREE 507063 AND FIVE 201402
512623	-	-	-	x	-	x	FACE PLATE WITH ROTARY SOLENOID CPL. NOS. 511508, 512588, 512589, 512590, 512591, 512592, 512593, 512594, 512595, 512596, 603263, THREE 507063 AND FIVE 201402
603245	-	-	-	x	-	x	ROTARY SOLENOID
603247	-	-	x	-	x	-	ROTARY SOLENOID
603263	-	-	-	x	-	x	ROTARY SOLENOID CPL. NOS. 603245 AND 603265
603264	-	-	x	-	x	-	ROTARY SOLENOID CPL. NOS. 603247 AND 603265
603265	-	-	x	x	x	x	PLUG MALE (TWO POLE)

Parts for Machine 211 G 451-01, 211 G 451-02
211 G 457-01, 211 G 457-02

512 622 or 512 623



PARTS FOR MACHINE CLASS 211

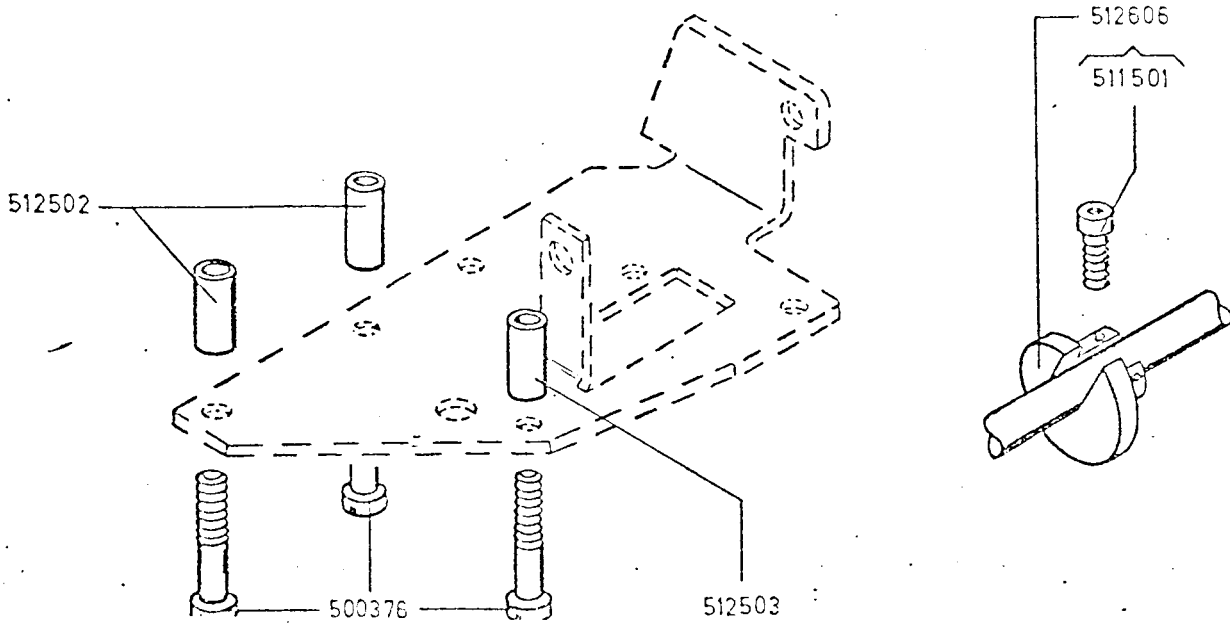
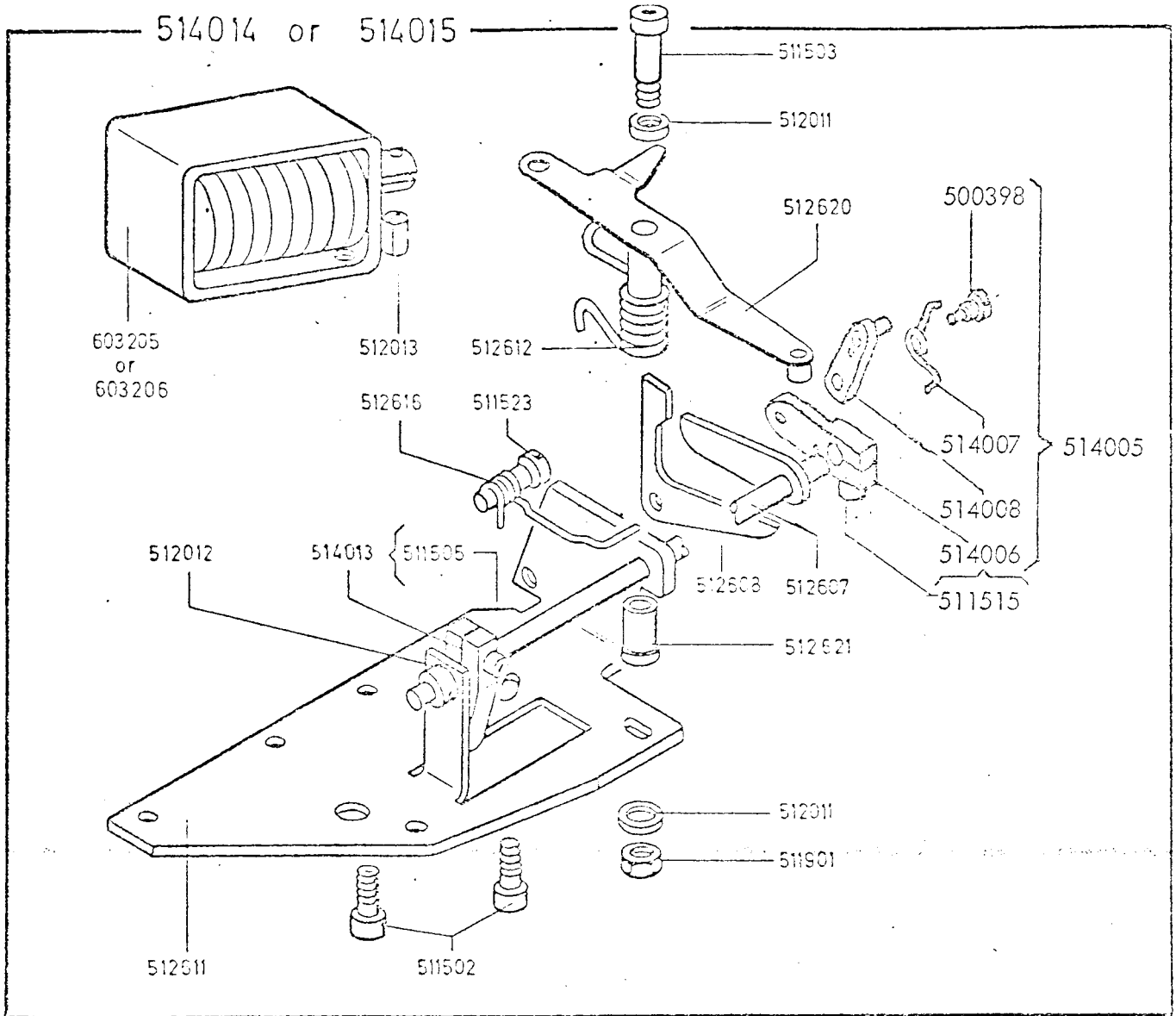
(-01 = USA, -02 = EUROPE)

G 446 G 451 G 457
 PART NO. -01 -02 -01 -02 -01 -02

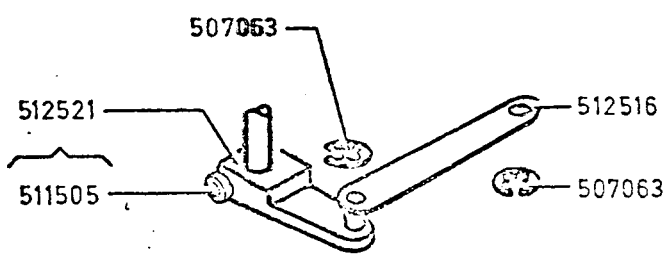
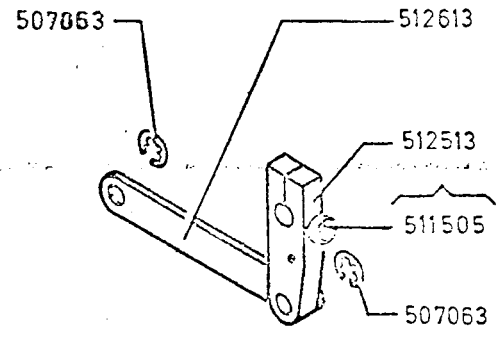
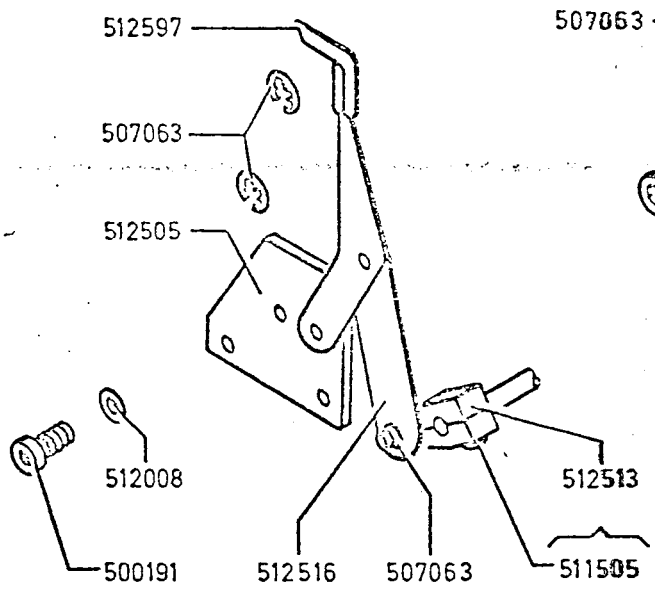
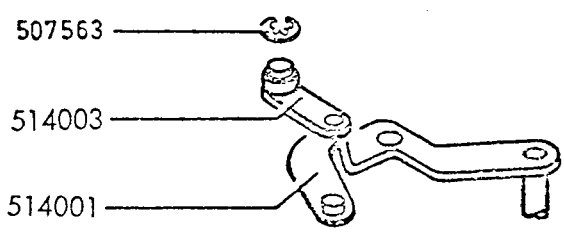
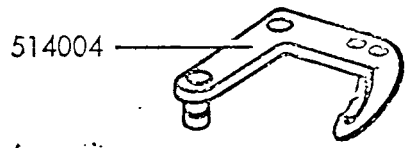
NAME

PART NO.	-01	-02	-01	-02	-01	-02	NAME
500376-850	x	x	x	x	x	x	SOLENOID MOUNTING PLATE SCREW (3)
511501-869	x	x	x	x	x	x	THREAD CUTTING KNIFE CAM SCREW (2)
511502-869	x	x	x	x	x	x	THREAD PULLER SOLENOID FASTENING SCREW (2)
511503-869	x	x	x	x	x	x	THREAD PULLER ACTUATING LEVER GUIDE SLEEVE SCREW
511505-869	x	x	x	x	x	x	THREAD CUTTING KNIFE CONTROL SHAFT CRANK PINCH SCREW
511505-869	x	x	x	x	x	x	THREAD CUTTING KNIFE CONTROL SHAFT CAM FOLLOWING CRANK PINCH SCREW
511523-850	x	x	x	x	x	x	THREAD PULLER RETAINING PAWL SCREW
511901-830	x	x	x	x	x	x	THREAD PULLER ACTUATING LEVER TORSION SPRING SLEEVE NUT
512011	x	x	x	x	x	x	THREAD PULLER ACTUATING LEVER TORSION GUIDE SLEEVE WASHER (2)
512012	x	x	x	x	x	x	THREAD CUTTING KNIFE CONTROL SHAFT POSITION COLLAR
512013	x	x	x	x	x	x	THREAD PULLER ACTUATING LEVER CONNECTING SLEEVE
512502	x	x	x	x	x	x	SOLENOID MOUNTING PLATE SPACER SLEEVE (2)
512503	x	x	x	x	x	x	SOLENOID MOUNTING PLATE SPACER SLEEVE
512513	x	x	x	x	x	x	THREAD CUTTING KNIFE CONTROL SHAFT CRANK WITH 511505
512605	x	x	x	x	x	x	THREAD CUTTING KNIFE CONTROL SHAFT CAM FOLLOWING CRANK WITH 511505
512606	x	x	x	x	x	x	THREAD CUTTING KNIFE CAM WITH TWO 511501
512607	x	x	x	x	x	x	THREAD CUTTING KNIFE CONTROL SHAFT
512608	x	x	x	x	x	x	THREAD PULLER RETAINING PAWL
512611	x	x	x	x	x	x	SOLENOID MOUNTING PLATE
512612	x	x	x	x	x	x	THREAD PULLER ACTUATING LEVER TORSION SPRING
512614	x	-	x	-	x	-	SOLENOID MOUNTING PLATE CPL. NOS. 511503, 511523, 511901, 512012, 512013, 512513, 512605, 512607, 512608, 512611, 512612, 512616, 512620, 512621, 603206 AND TWO EACH 511502 AND 512011
512615	-	x	-	x	-	x	SOLENOID MOUNTING PLATE CPL. NOS. 511503, 511523, 511901, 512012, 512013, 512513, 512605, 512607, 512608, 512611, 512612, 512616, 512620, 512621, 603206 AND TWO EACH 511502 AND 512011
512616	x	x	x	x	x	x	THREAD PULLER RETAINING PAWL TORSION SPRING
512620	x	x	x	x	x	x	THREAD PULLER ACTUATING LEVER
512621	x	x	x	x	x	x	THREAD PULLER ACTUATING LEVER GUIDE BUSHING
603205	-	x	-	x	-	x	THREAD PULLER SOLENOID, 24 V, 75 W
603206	x	-	x	-	x	-	THREAD PULLER SOLENOID, 100 V, 100 W

Parts for Machine 211 G 446-01, 211 G 446-02
211 G 451-01, 211 G 451-02
211 G 457-01, 211 G 457-02



Parts for Machine 211 G 446-01, 211 G 446-02
211 G 451-01, 211 G 451-02
211 G 457-01, 211 G 457-02



PARTS FOR MACHINE CLASS 211

(-01 = USA, -02 = EUROPE)

PART NO.	G 446		G 451		G 457		NAME
	-01	-02	-01	-02	-01	-02	
200160-805	x	-	-	-	-	-	THREAD GUIDE (TOP OF ARM) SCREW
244729	x	-	-	-	-	-	THREAD GUIDE (TOP OF ARM)
500379-819	x	-	-	-	-	-	MACHINE LEG (2)
500380-819	x	-	-	-	-	-	MACHINE LEG
511504-830	x	-	-	-	-	-	ELECTRIC TERMINAL SCREW
511512-869	x	-	-	-	-	-	MICRO SWITCH MOUNTING BRACKET SCREW (2)
511513-869	x	-	-	-	-	-	MICRO SWITCH MOUNTING SCREW (2)
511514-869	x	-	-	-	-	-	MICRO SWITCH DRIVING CAM SET SCREW
512014	x	-	-	-	-	-	MICRO SWITCH SET SCREW SPACER
512559	x	-	-	-	-	-	MICRO SWITCH MOUNTING BRACKET
512560	x	-	-	-	-	-	MICRO SWITCH DRIVING CAM WITH 511514
603212	x	-	-	-	-	-	CABLE CLAMP
603216	x	-	-	-	-	-	INSULATOR TUBING
603218	x	-	-	-	-	-	RING TERMINAL FOR GROUND WIRE
603221	x	-	-	-	-	-	MICRO SWITCH
603226	x	-	-	-	-	-	AMPHENOL PLUG
603262	x	-	-	-	-	-	WIRE HARNES CPL. NOS. 603218 AND 603226
603266	x	-	-	-	-	-	CABLE CLAMP
603267	x	-	-	-	-	-	ELECTRICAL TERMINAL
795595-003	x	-	-	-	-	-	SYNCHRONIZER (DIEHL)

PARTS FOR MACHINE CLASS 211

(-01 = USA, -02 = EUROPE)

PART NO.	G 446		G 451		G 457		NAME
	-01	-02	-01	-02	-01	-02	
141566-833	x	x	-	-	-	-	MACHINE PULLEY POSITION SCREW
141567-833	x	x	-	-	-	-	MACHINE PULLEY SET SCREW
200160-805	-	x	-	-	-	-	THREAD GUIDE (TOP OF ARM) SCREW
244729	-	x	-	-	-	-	THREAD GUIDE (TOP OF ARM)
272142	x	x	-	-	-	-	ARM SHAFT-BALL BEARING (BACK) DOUBLE SHIELDED BEARING
500379-819	-	x	-	-	-	-	MACHINE -LEG (2)
500380-819	-	x	-	-	-	-	MACHINE LEG
511504-830	-	x	-	-	-	-	ELECTRIC TERMINAL SCREW
511512-869	-	x	-	-	-	-	MICRO SWITCH MOUNTING BRACKET SCREW (2)
511513-869	-	x	-	-	-	-	MICRO SWITCH MOUNTING SCREW (2)
511514-869	-	x	-	-	-	-	MICRO SWITCH DRIVING CAM SET SCREW
511521-869	-	x	-	-	-	-	SYNCHRONIZER BRACKET SCREW
512010	-	x	-	-	-	-	SYNCHRONIZER BRACKET WASHER
512014	-	x	-	-	-	-	MICRO SWITCH SET SCREW SPACE
512559	-	x	-	-	-	-	MICRO SWITCH MOUNTING BRACKET
512560	-	x	-	-	-	-	MICRO SWITCH DRIVING CAM WITH 511514
512582	x	x	-	-	-	-	MACHINE PULLEY CPL. NOS. 141566, 141567 AND 272142
512601	-	x	-	-	-	-	SYNCHRONIZER BRACKET
603210	-	x	-	-	-	-	PLUG (10 PRONGS)
603212	-	x	-	-	-	-	CABLE CLAMP
603216	-	x	-	-	-	-	INSULATOR TUBING
603218	-	x	-	-	-	-	RING TERMINAL FOR GROUND W/IRE
603221	-	x	-	-	-	-	MICRO SWITCH
603239	-	x	-	-	-	-	SYNCHRONIZER "B 1"
603259	-	x	-	-	-	-	WIRE HARNES CPL. NOS. 603210 AND 603218
603266	-	x	-	-	-	-	CABLE CLAMP
603267	-	x	-	-	-	-	ELECTRICAL TERMINAL

PARTS FOR MACHINE CLASS 211

(-01 = USA, -02 = EUROPE)

PART NO.	-01	-02	-01	-02	-01	-02	NAME
NO. 12	x	x	x	x	x	x	THREAD UNWINDER WOOD SCREW 7/8 INCH (3)
150203	x	x	x	x	x	x	THREAD UNWINDER SPOOL REST CUSHION (FELT) (3)
201254-803	x	x	x	x	x	x	THREAD UNWINDER SPOOL REST SET SCREW (FOR TWO SPOOLS)
228764	x	x	x	x	x	x	THREAD UNWINDER SPOOL PIN (3)
228765	x	x	x	x	x	x	THREAD UNWINDER SPOOL REST (FOR ONE SPOOL) (FLAT) WITH 201254
228766	x	x	x	x	x	x	THREAD UNWINDER SPOOL REST (FOR TWO SPOOLS) (FLAT) WITH 201254
228767	x	x	x	x	x	x	THREAD UNWINDER SPOOL REST ROD
228768	x	x	x	x	x	x	THREAD UNWINDERSPOOL STAND
228771	x	x	x	x	x	x	THREAD UNWINDER THREAD GUIDE HOLDER (FOR THREE GUIDES)
228774	x	x	x	x	x	x	THREAD UNWINDER THREAD GUIDE ROD
503728	x	x	x	x	x	x	THREAD UNWINDER THREAD GUIDE
503781	x	x	x	x	x	x	THREAD UNWINDER CPL. (FOR THREE SPOOLS)
							NOS. 228765 TO 228768, 228771, 228774, TWO 503728, THREE EACH 150203, 228764 AND WOOD SCREWS 7/8 INCH NO. 12

PARTS FOR MACHINE CLASS 211

(-01 = USA, -02 = EUROPE)

PART NO.	G 446		G 451		G 457		NAME
	-01	-02	-01	-02	-01	-02	
200160-819	-	-	x	-	x	-	THREAD GUIDE (TOP OF ARM SCREW)
244729	-	-	x	-	x	-	THREAD GUIDE (TOP OF ARM)
500379-819	-	-	x	-	x	-	MACHINE LEG (2)
500380-819	-	-	x	-	x	-	MACHINE LEG
511504-830	-	-	x	-	x	-	ELECTRIC TERMINAL SCREW
511504-830	-	-	x	-	x	-	BUSHING FEMALE SCREW
511512-869	-	-	x	-	x	-	MICRO SWITCH MOUNTING BRACKET SCREW (2)
511513-869	-	-	x	-	x	-	MICRO SWITCH MOUNTING SCREW (2)
511514-869	-	-	x	-	x	-	MICRO SWITCH DRIVING CAM SET SCREW
512014	-	-	x	-	x	-	MICRO SWITCH MOUNTING BRACKET SCREW WASHER (2)
512559	-	-	x	-	x	-	MICRO SWITCH MOUNTING BRACKET
512560	-	-	x	-	x	-	MICRO SWITCH DRIVING CAM WITH 511514
512604	-	-	x	-	x	-	BUSHING FEMALE SCREW WASHER 603257 AND 603260
603216	-	-	x	-	x	-	INSULATOR TUBING
603218	-	-	x	-	x	-	RING TERMINAL FOR GROUND WIRE
603221	-	-	x	-	x	-	MICRO SWITCH
603226	-	-	x	-	x	-	AMPHENOL PLUG
603228	-	-	x	-	x	-	WIRE HARNES CPL. NOS. 603218, 603226 603257 AND 603260
603231	-	-	x	-	x	-	CABLE CLAMP (CLOSED) (2)
603233	-	-	x	-	x	-	CABLE CLAMP
603257	-	-	x	-	x	-	BUSHING FEMALE (TWO POLE)
603260	-	-	x	-	x	-	CABLE LEAD IN HOSE
603266	-	-	x	-	x	-	CABLE CLAMP
603267	-	-	x	-	x	-	ELECTRIC TERMINAL
795595-003	-	-	x	-	x	-	SYNCHRONIZER (DIEHL)

PARTS FOR MACHINE CLASS 211

(-01 = USA, -02 = EUROPE)

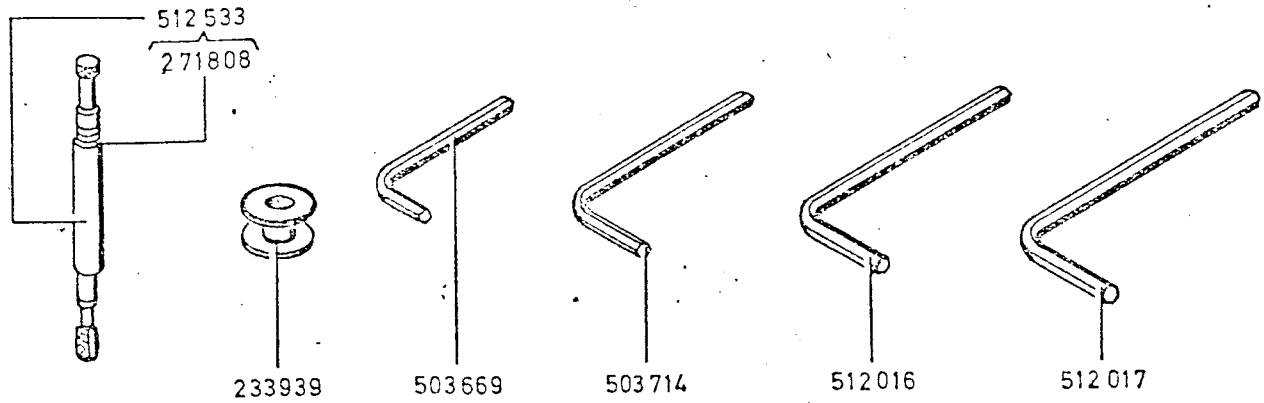
PART NO.	G 446		G 451		G 457		NAME
	-01	-02	-01	-02	-01	-02	
141566-833	-	-	x	x	x	x	MACHINE PULLEY POSITION SCREW
141567-833	-	-	x	x	x	x	MACHINE PULLEY SET SCREW
200160-805	-	-	-	x	-	x	THREAD GUIDE (TOP OF ARM) SCREW
244729	-	-	-	x	-	x	THREAD GUIDE (TOP OF ARM)
272142	-	-	x	x	x	x	ARM SHAFT BALL BEARING (BACK) (DOUBLE SHIELDED BEARING)
500379-819	-	-	-	x	-	x	MACHINE LEG (2)
500380-819	-	-	-	x	-	x	MACHINE LEG
511504-830	-	-	-	x	-	x	ELECTRIC TERMINAL SCREW
511504-830	-	-	-	x	-	x	BUSHING FEMALE SCREW
511512-869	-	-	-	x	-	x	MICRO SWITCH MOUNTING BRACKET SCREW
511513-869	-	-	-	x	-	x	MICRO SWITCH MOUNTING SCREW (2)
511514-869	-	-	-	x	-	x	MICRO SWITCH DRIVING CAM SET SCREW
511521	-	-	-	x	-	x	SYNXHRONIZER BRACKET SCREW
512010	-	-	-	x	-	x	SYNCHRONIZER BRACKET WASHER
512014	-	-	-	x	-	x	MICRO SWITCH SET SCREW SPACE
512559	-	-	-	x	-	x	MICRO SWITCH MOUNTING BRACKET
512560	-	-	-	x	-	x	MICRO SWITCH DRIVING CAM WITH 511514
512583	-	-	x	x	-	-	MACHINE PULLEY CPL. NOS. 141566, 141567 AND 272142
512586	-	-	-	-	x	x	MACHINE PULLEY CPL. NOS. 141566, 141567 AND 272142
512601	-	-	-	x	-	x	SYNCHRONIZER BRACKET
512604	-	-	-	x	-	x	BUSHING FEMALE SCREW WASHER
603210	-	-	-	x	-	x	PLUG (10 PRONGS)
603213	-	-	-	x	-	x	CABLE CLAMP
603216	-	-	-	x	-	x	INSULATOR TUBING
603218	-	-	-	x	-	x	RING TERMINAL FOR GROUND WIRE
603221	-	-	-	x	-	x	MICRO SWITCH
603227	-	-	-	x	-	x	WIRE HARNES CPL. NOS. 603210, 603218, 603257 AND 603260
603231	-	-	-	x	-	x	CABLE CLAMP (CLOSED)
603233	-	-	-	x	-	x	CABLE CLAMP
603239	-	-	-	x	-	x	SYNCHRONIZER "B"
603257	-	-	-	x	-	x	BUSHING FEMALE (TWO POLE)
603260	-	-	-	x	-	x	CABLE LEAD IN HOSE
603267	-	-	-	x	-	x	ELECTRIC TERMINAL

PARTS FOR MACHINE CLASS 211

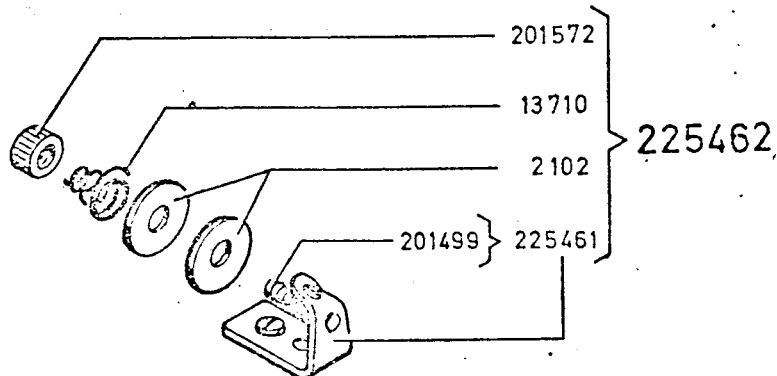
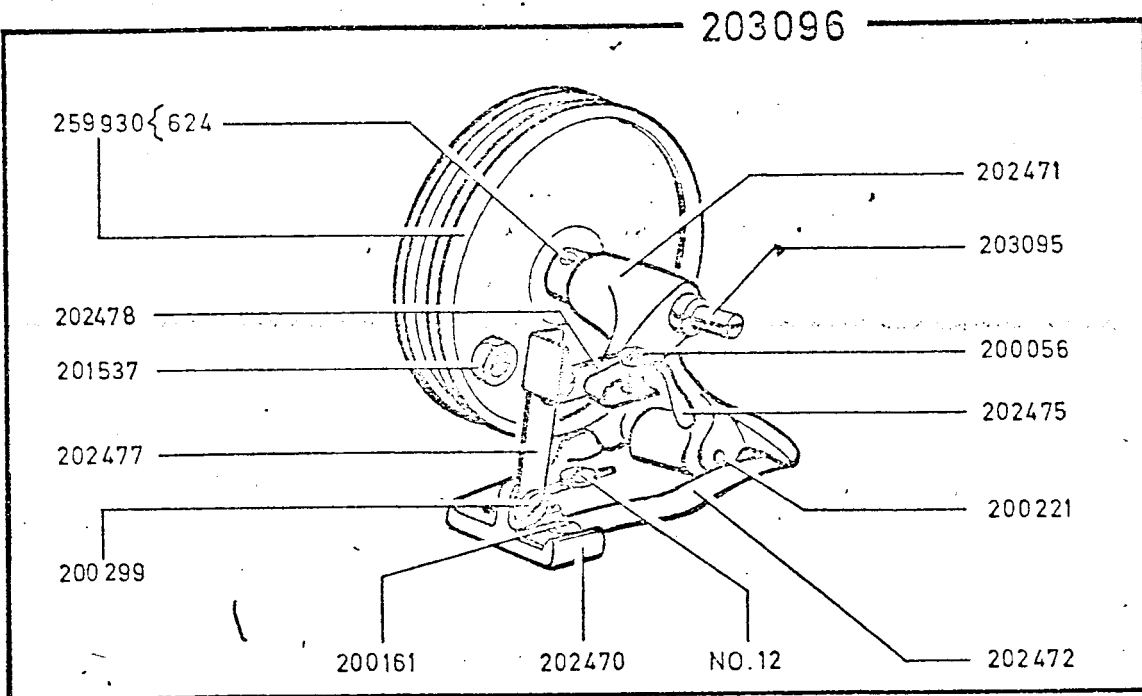
(-01 = USA; -02 = EUROPE)

PART NO.	G 446		G 451		G 457		NAME
	-01	-02	-01	-02	-01	-02	
NO. 12	x	-	x	-	x	-	BOBBIN WINDER WOOD SCREW 3/4 INCH (2)
000624-833	x	-	x	-	x	-	BOBBIN WINDER PULLEY SET SCREW
002102	x	-	x	-	x	-	THREAD GUIDE TENSION DISC
013710	x	-	x	-	x	-	THREAD GUIDE TENSION SPRING
200056-805	x	-	x	-	x	-	BOBBIN WINDER STOP LATCH SCREW
200161-804	x	-	x	-	x	-	BOBBIN WINDER FRAME SPRING CLAMP SCREW
200221-804	x	-	x	-	x	-	BOBBIN WINDER FRAME HINGE SCREW
200299-819	x	-	x	-	x	-	BOBBIN WINDER STOP LATCH THUMB LEVER JOINT AND HINGE SCREW (3)
201499-819	x	-	x	-	x	-	THREAD GUIDE TENSION STUD
201537-819	x	-	x	-	x	-	BOBBIN WINDER STOP LATCH THUMB LEVER HINGE SCREW NUT
201572-819	x	-	x	-	x	-	THREAD GUIDE TENSION STUD THUMB NUT
202470	x	-	x	-	x	-	BOBBIN WINDER BASE
202471	x	-	x	-	x	-	BOBBIN WINDER FRAME
202472	x	-	x	-	x	-	BOBBIN WINDER FRAME SPRING
202475	x	-	x	-	x	-	BOBBIN WINDER STOP LATCH
202477	x	-	x	-	x	-	BOBBIN WINDER STOP LATCH THUMB LEVER
202478	x	-	x	-	x	-	BOBBIN WINDER STOP LATCH TRIL LEVER
203095	x	-	x	-	x	-	BOBBIN WINDER SPINDLE
203096	x	-	x	-	x	-	BOBBIN WINDER CPL. NOS. 200056, 200161, 200221, 201537, 202470, 202471, 202472, 202475, 202477, 202478, 203095, 259930, TWO WOOD SCREWS 3/4 INCH AND THREE 200299
225461	x	-	x	-	x	-	THREAD GUIDE TENSION BRACKET WITH 201499
225462	x	-	x	-	x	-	THREAD GUIDE TENSION BRACKET CPL. NOS. 13710, 201572, 225461 AND TWO 2102
233939	x	x	x	x	x	x	BOBBIN (2)
259930	x	-	x	-	x	-	BOBBIN WINDER PULLEY WITH 624
271808	x	x	x	x	x	x	HOOK SADDLE OIL GAUGE SEAL
503669	x	x	x	x	x	x	WRENCH 2 mm HEXAGON
503714	x	x	x	x	x	x	WRENCH 2,5 mm HEXAGON
512016	x	x	x	x	x	x	WRENCH 3 mm HEXAGON
512017	x	x	x	x	x	x	WRENCH 4 mm HEXAGON
512533	x	x	x	x	x	x	HOOK SADDLE OIL GAUGE WITH 271808

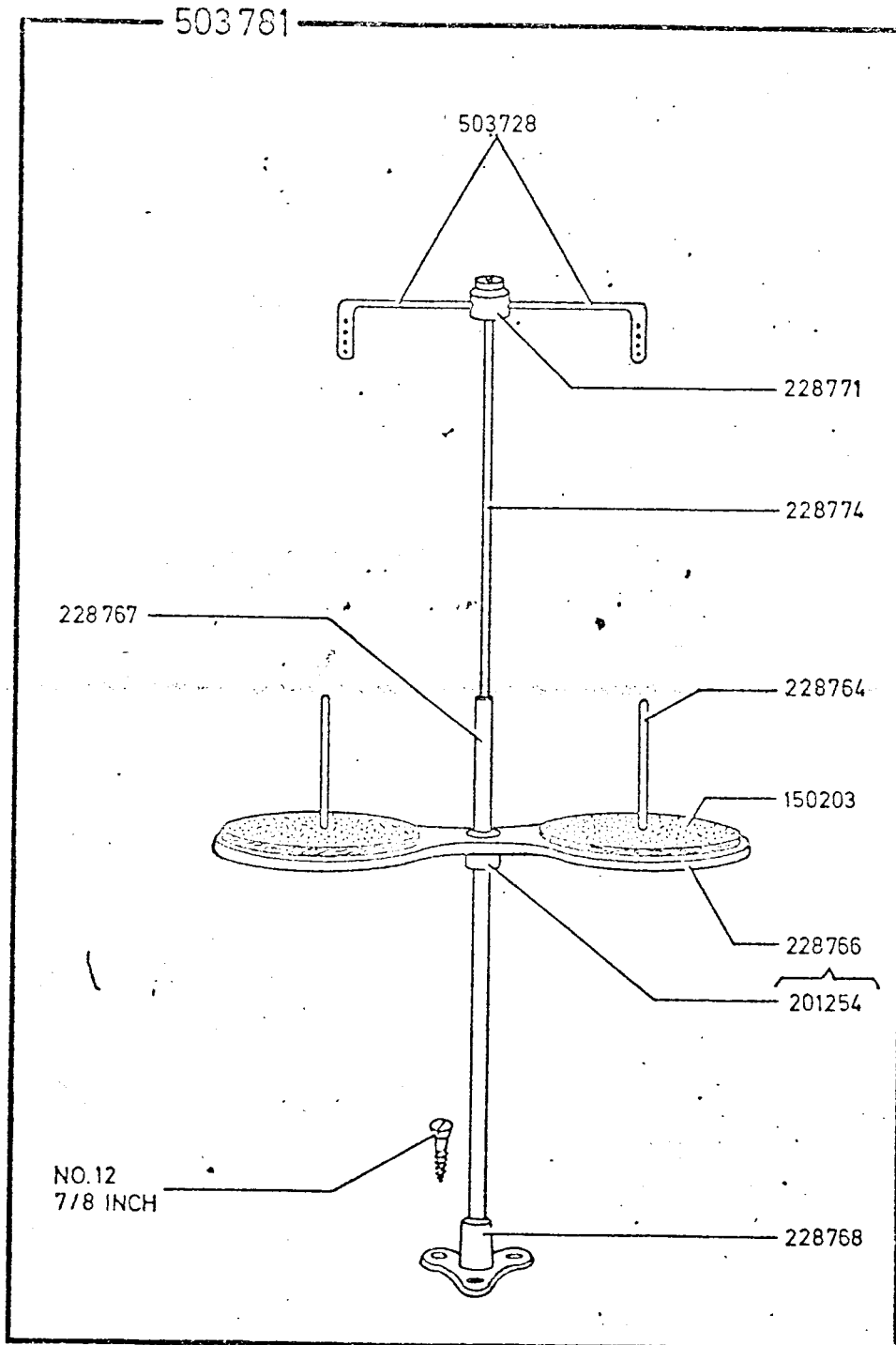
ACCESSORIES FOR 211 G 446-01, 211 G 446-02
211 G 451-01, 211 G 451-02
211 G 457-01, 211 G 457-02



ACCESSORIES FOR 211 G 446-01, 211 G 451-01 AND
211 G 457-01



ACCESSORIES FOR 211 G 446-01, 211 G 446-02
211 G 451-01, 211 G 451-02
211 G 457-01, 211 G 457-02



PARTS FOR MACHINE CLASS 211

(-01 = USA, -02 = EUROPE)

PART NO.	G 446		G 451		G 457		NAME
	-01	-02	-01	-02	-01	-02	
200026-850	x	x	x	x	x	x	LOWER MOUNTING BRACKET SCREW (3)
200061-833	x	x	x	x	x	x	HOOK SADDLE OIL RESERVOIR SCREW (2)
200099-819	x	x	x	x	x	x	HOOK BALL BEARING SCREW (2)
200135-805	x	x	x	x	x	x	BOBBIN CASE OPENER LINK CAP SCREW (2)
200185-804	x	x	x	x	x	x	HOOK SADDLE OIL STOP SCREW
200374-830	x	x	x	x	x	x	BOBBINCASE OPENER CRANK HINGE STUD SET SCREW
200378-803	x	x	x	x	x	x	HOOK SADDLE OIL REGULATING SCREW CHECK SCREW
200388-803	x	x	x	x	x	x	BOBBIN CASE OPENER CRANK HINGE STUD SET SCREW CHECK SCREW
244084	x	x	x	x	x	x	FEED DRIVING ROCK SHAFT BUSHING PINCH SCREW SET SCREW PACKING
244704	x	x	x	x	x	x	BOBBIN CASE OPENER CAM SHAFT
267053	x	x	x	x	x	x	HOOK BALL BEARING
267166	x	x	x	x	x	x	BOBBIN CASE OPENER CRANK
267167	x	x	x	x	x	x	BOBBIN CASE OPENER CRANK HINGE STUD
267172	x	x	x	x	x	x	BOBBIN CASE OPENER LINK
267194	x	x	x	x	x	x	HOOK SADDLE WITH 200185, 267367, 267370 AND 267371
267198	x	x	x	x	x	x	HOOK SADDLE OIL GAUGE SLEEVE WITH 267277
267200	x	x	x	x	x	x	HOOK SADDLE OIL RESERVOIR
267212	x	x	x	x	x	x	HOOK SADDLE OIL RESERVOIR GASKET
267215	x	x	x	x	x	x	HOOK SHAFT WITH 270880 AND 276061
267248	x	x	x	x	x	x	HOOK DRIVING PINION THRUST BEARING
267277	x	x	x	x	x	x	HOOK SADDLE OIL STRAINER
267365	x	x	x	x	x	x	BOBBIN CASE OPENER DRIVING CAM SHAFT GEAR (SPIRAL) WITH TWO 350595
267366	x	x	x	x	x	x	HOOK DRIVING PINION (SPIRAL) WITH TWO 350595
267367	x	x	x	x	x	x	HOOK SHAFT BUSHING
267370	x	x	x	x	x	x	BOBBIN CASE OPENER DRIVING CAM SHAFT BUSHING (LOWER)
267371	x	x	x	x	x	x	BOBBIN CASE OPENER DRIVING CAM SHAFT BUSHING (UPPER)
270880	x	x	x	x	x	x	HOOK SHAFT OIL WICK
276061	x	x	x	x	x	x	HOOK SHAFT OIL WICK HOLDER
350595-850	x	x	x	x	x	x	HOOK SADDLE OIL REGULATING SCREW
350595-850	x	x	x	x	x	x	BOBBIN CASE OPENER DRIVING CAM SHAFT GEAR (SPIRAL) SET SCREW (2)
350595-850	x	x	x	x	x	x	HOOK DRIVING PINION (SPIRAL) SET SCREW (2)
511502	x	x	x	x	x	x	THREAD CUTTING KNIFE DRIVING SHAFT BRACKET SCREW (2)

PARTS FOR MACHINE CLASS 211

(-01 = USA, -02 = EUROPE)

PART NO.	G446		G451		G457		NAME
	-01	-02	-01	-02	-01	-02	
511507-869	x	x	x	x	x	x	THREAD PULLER CAM SCREW
511508-869	x	x	x	x	x	x	THREAD PULLER RETAINING PLATE SCREW (2)
511510-869	x	x	x	x	x	x	THREAD CUTTING KNIFE DRIVING SHAFT TORSION SPRING COLLAR SCREW
512010	x	x	x	x	x	x	THREAD CUTTING KNIFE DRIVING CRANK WASHER
512523	x	x	x	x	x	x	THREAD PULLER BASE
512525	x	x	x	x	x	x	THREAD PULLER CAM WITH 511507
512526	x	x	x	x	x	x	THREAD PULLER BRACKET
512528	x	x	x	x	x	x	THREAD PULLER RETAINING PLATE
512553	x	x	x	x	x	x	THREAD CUTTING KNIFE DRIVING SHAFT STOP CRANK WITH 511505
512568	x	x	x	x	x	x	LOWER MOUNTING BRACKET
512569	x	x	x	x	x	x	THREAD CUTTING KNIFE DRIVING SHAFT BRACKET
512570	x	x	x	x	x	x	THREAD CUTTING KNIFE DRIVING SHAFT
512574	x	x	x	x	x	x	THREAD CUTTING KNIFE DRIVING SHAFT TORSION SPRING
512603	x	x	x	x	x	x	HOOK SADDLE CPL. NOS. 200374, 200378, 200388, 244084, 244704, 267053, 267166, 267167, 267172, 267194, 267198, 267200, 267212, 267215, 267248, 267365, 267366, 350564, 511506, 511508, 512010, 512523, 512525, 512526, 512528, 512553, 512568, 512569, 512570, 512574, 512605, 514010 AND TWO EACH 200061, 200089, 200135, 511502, 512008, 511510 AND THREE, 200026
512605	x	x	x	x	x	x	THREAD CUTTING KNIFE DRIVING SHAFT STOP WITH 511505
514010	x	x	x	x	x	x	THREAD CUTTING KNIFE DRIVING SHAFT TORSION SPRING COLLAR WITH TWO 511510