

SINGER
175-33,34,38,45,46

Form 19548

(940)

Printed in U. S. A.

LIST OF PARTS



MACHINES

Nos. 175-33, 175-34, 175-38,
175-45 and 175-46

** A TRADE MARK OF

THE SINGER MANUFACTURING COMPANY

INSTRUCTIONS FOR OILING

To ensure easy running and prevent unnecessary wear of the parts which are in movable contact, the machine requires oiling and when in continuous use, "TYPE B" or "TYPE D" OIL, sold only by Singer Sewing Machine Company, should be applied at least twice each day to all oil holes marked "OIL", as instructed in Form 18958.

"TYPE D" OIL is stainless.

INDEX

	Page
Accessories.....	23
Belt and Pulley Guard.....	23
Button Clamp No. 175752 (For No. 175-33 Machine).....	24
" " No. 175738 (For 40 to 80 ligne buttons)...	25
" " No. 175654 (For 80 to 120 ligne buttons)..	26
Feed Plates.....	27
Machine Base.....	28
Machine No. 175-33.....	5
" No. 175-34.....	16
" No. 175-38.....	17
" No. 175-45.....	19
" No. 175-46.....	21
Numerical List of Parts.....	31
Starting Lever and Foot Lifter Parts.....	29
Table Belt Guide.....	29
Thread Unwinder.....	30

INSTRUCTIONS FOR ORDERING

5

In ordering from this list, use ONLY the part NUMBER in the FIRST column.

The number stamped on a Sewing Machine Part is in every case the number of the single part only.

Every combination of parts sent out as such has its specific number, which, although not stamped on the parts, must be used when ordering the combination.

Each number always indicates the SAME PART in whatever list it appears, or for whatever machine.

The letters after some of the numbers indicate the style of finish only, as follows:

- A-Hardened, Polished, Nickel Plated and Buffed
- A.A-Buffed and Chromium Plated
- A.B-Hardened, Polished, Buffed and Chromium Plated
- A.C-Brown Baking Enamel Finish
- A.D-Gray Baking Enamel Finish
- A.E-Hardened, Bright Rumbled and Nickel Plated
- A.F-Hardened, Bright Rumbled, Nickel Plated, Bright Rumbled and Chromium Plated
- B-Polished, Nickel Plated and Buffed
- C-Hardened Only
- C.R-Hardened and Merlized
- D-Polished Only
- E-Soft, Not Polished
- F-Hardened and Polished
- F.J-Hardened, Polished and Nickel Plated
- G-Bright Rumbled and Nickel Plated
- H-Blued
- J-Nickel Plated Only
- K-Hardened and Nickel Plated
- L-Brass Plated
- M-Oxidized
- N-Japanned, Dull
- P-Japanned, Bright
- P.P-Wrinkle Finish
- R-Merlized
- S-cadmium Plated
- T-Copper Plated
- T.A-Hardened, Polished, Copper and Nickel Plated and Buffed
- T.B-Copper and Nickel Plated and Polished
- T.J-Copper and Nickel Plated Only
- T.K-Hardened, Copper and Nickel Plated
- T.L-Copper and Brass Plated
- T.M-Copper Plated and Oxidized
- U-Zinc Plated
- V-Silver Plated
- W-Polished and Nickel Plated
- X-Black Oxide, for Iron and Steel
- X.C-Hardened and Black Oxide, for Iron or Steel
- Y-Black Nickel Plated Only
- Z-Chromium Plated
- Z.A-Hardened, Polished, Nickel Plated, Buffed and Chromium Plated
- Z.B-Polished, Nickel Plated, Buffed and Chromium Plated
- Z.C-Hardened and Chromium Plated
- Z.D-Polished and Chromium Plated
- Z.G-Bright Rumbled, Nickel Plated, Bright Rumbled and Chromium Plated
- Z.J-Nickel and Chromium Plated
- Z.T-Copper and Chromium Plated

These letters MUST BE USED when they appear in the list; and AFTER the number as in the list.

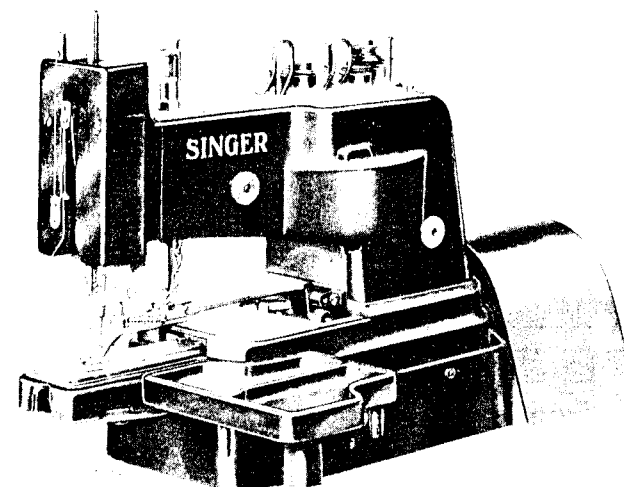
In this series:

- 1 to 1500, 50001 to 51500 and 140001 to 142000 are Screw Numbers
- 1501 to 1800 and 51501 to 51800 are Nut Numbers
- 1801 to 2000 and 51801 to 52000 are Roller Numbers
- 2001 to 50000 and 52001 to 140000 and 142001 to 190000 are Sewing Machine Parts, 190001 and upward are numbers of Electrical Parts.

The figures in the second column refer only to the plates, illustrating the parts, and are NOT TO BE USED in ordering.

Parts marked with an asterisk (*) are furnished only when repairs are made at factory.

LIST OF PARTS COMPLETE FOR



MACHINE No. 175-33

For Sewing Snap Fasteners and Buttons on Dresses, Blouses, Underwear, Knit Goods, etc. For two and four hole buttons and snap fasteners. Makes straight cross-over stitch. Makes sixteen stitches, including the knotting stitch. Clamp Moves UP the bed ONLY when sewing snaps and four hole buttons. Fitted with clamp for holding snap fasteners sizes, O, OO and OOO; also button clamp for buttons from 14 to 45 ligne. Speed 1000 R. P. M.

No.	Plate	Name
*175001	----	Arm with 15404 and two 15405.....
8589	22895	" Dowel Pin.....
175004	22896	" Rock Shaft with 175007.....
175005	22896	" " " Crank (back) with 1177E, 1521J and 140016E.....
1177E	22896	Arm Rock Shaft Crank (back) Clamping Screw.....
140016E	22896	Arm Rock Shaft Crank (back) Position Screw.....
1521J	22896	Arm Rock Shaft Crank (back) Position Screw Lock Nut.....

No.	Plate	Name
175007	22896	Arm Rock Shaft Crank (front) Pin.....
140017E	22895	" Screw (long).....
670E	22895	" " (short).....
175008	23309	" Side Cover (left).....
230J	23309	" " " " Screw.....
175009	22862	" " " (right).....
175010	22862	" " " " Screw Stud (long)
175011	22862	" " " " " " (short)
51649E	22862	" " " " " " Lock
		Nut.....
51650B	22862	Arm Side Cover (right) Thumb Nut.....
*175386	-----	Bed.....
175013	-----	" End Cover (bottom).....
175751	22895	" " " " 175013 with 175016
175014	22895	" " " " Hinge Pin (left)..
175015	22895	" " " " " " (right).
175016	22895	" " " " Spring.....
175017	22895	" " " " Hook.....
175018	23306	" Top Cover (back) with two 175019....
175019	23306	" " " " Oil Tube.....
140018W	23306	" " " " Screw.....
175020	23308	" " " (front).....
140019F	23308	" " " " Screw.....
175021	23307	Button Clamp (left) with 175622.....
175022	23307	" " " 175021 with 228J, 140021C and 175026, for 175059.....
140020C	23307	Button Clamp (left) Hinge Screw.....
1498C	23307	" " " " Lock Screw
140021C	23307	" " " " Screw Stud.....
175026	23307	" " " " Spring.....
228J	23307	" " " " Screw.....
175622	23307	" " " " Steady Pin..
175027	23307	" " (right) with 175622.....
175028	23307	" " " 175027 with 228J, 140021C and 175030, for 175059.....
140020C	23307	Button Clamp (right) Hinge Screw.....
1498C	23307	" " " " " " Lock Screw.....
140021C	23307	Button Clamp (right) Screw Stud.....
175030	23307	" " " " Spring.....
228J	23307	" " " " Screw.....
175622	23307	" " " " Steady Pin..
175031	23307	" " Adjusting Lever.....
680W	23307	" " " " Thumb Screw
175032	23307	" " " " " " " Washer.....
175033	23307	Button Clamp Arm.....
175034	23306	" " " " Hinge Pin.....
175035	23306	" " " " " " Bracket.....
160J	23306	" " " " " " " Screw

No.	Plate	Name
175036	23306	Button Clamp Arm Hinge Pin Bracket Shim (.003 in. thick).....
175037	23306	Button Clamp Arm Hinge Pin Bracket Shim (.005 in. thick).....
175038	23306	Button Clamp Arm Hinge Pin Bracket Shim (.007 in. thick).....
175039	23306	Button Clamp Arm Hinge Pin Bracket Shim (.015 in. thick).....
175040	23307	Button Clamp Closing Spring.....
175041	23309	" " Lifting Arm with 190J, 190K and 1259C.....
1259C	23309	Button Clamp Lifting Arm Set Screw.....
175042	23309	" " " Chain, 4 1/4 in. long
190K	23309	" " " " Screw (lower).
190K	23309	" " " " " (upper).
190J	23309	" " " " " " " Lock Screw.....
175043	23309	Button Clamp Lifting and Thread Pull-off Holder Shaft.....
175044	23309	Button Clamp Lifting and Thread Pull-off Holder Shaft Collar with 458C.....
458C	23309	Button Clamp Lifting and Thread Pull-off Holder Shaft Collar Set Screw.....
175045	23309	Button Clamp Lifting and Thread Pull-off Holder Shaft Spring.....
175046	23309	Button Clamp Lifting and Thread Pull-off Holder Shaft Spring Collar with 458C
458C	23309	Button Clamp Lifting and Thread Pull-off Holder Shaft Spring Collar Set Screw
175047	23309	Button Clamp Lifting Rod.....
175048	23309	" " " " Arm with 160E and 50269C.....
160E	23309	Button Clamp Lifting Rod Arm Clamping Screw.....
50269C	23309	Button Clamp Lifting Rod Arm Position Screw.....
175049	23309	Button Clamp Lifting Rod Arm Stop Plate.
160J	23309	" " " " " " " " Screw.....
175032	23309	Button Clamp Lifting Rod Arm Stop Plate Screw Washer.....
42830	23309	Button Clamp Lifting Rod Cotter Pin....
175050	23309	" " " " Spring.....
175051	23309	" " " " " " Stop Collar with 160C.....
160C	23309	Button Clamp Lifting Rod Spring Stop Collar Set Screw.....
175052	22896	Button Clamp Presser Bar.....
175053	22896	" " " " Collar with 458C.....

No.	Plate	Name
175548	23306	Feed Plate Carrier Regulating Nut Screw Stud.....
175078	23306	Feed Plate Carrier Regulating Nut Screw Stud Slide Block.....
175079	23306	Feed Plate Carrier Regulating Nut Screw Stud Washer.....
175549	23306	Feed Plate Carrier Regulating Nut Tightening Handle.....
175081	23306	Feed Plate Carrier Regulator with 228J..
175627	-----	" " " " 175081 with 175074 and 175796 (for agents only)
175083	23306	Feed Plate Carrier Regulator Spring.....
160J	23306	" " " " " Screw (bed end).....
228J	23306	Feed Plate Carrier Regulator Spring Screw (regulator end).....
227J	23307	Feed Plate Screw.....
175085	22895	Looper.....
175086	22895	" Driving Shaft.....
175087	22895	" " " Bushing.....
175594	-----	" " " " 175087 with 175086, 175091 and 175092.....
51183E	22895	Looper Driving Shaft Bushing Clamping Screw.....
175525	22895	Looper Driving Shaft Crank with 435C and 1285C.....
175089	22895	Looper Driving Shaft Crank Connecting Link.....
175660	-----	Looper Driving Shaft Crank Connecting Link 175089 with 175525 and 175529..
1285C	22895	Looper Driving Shaft Crank Position Screw.....
435C	22895	Looper Driving Shaft Crank Set Screw....
175091	22895	" " " Gear.....
175092	22895	" " " Pin.....
458C	22895	" Set Screw.....
175093	22895	" Shaft with 458C.....
175529	22895	" " Crank with two 140027C.....
140027C	22895	" " " Set Screw.....
175096	22895	Machine Rest Stud.....
458C	22895	" " " Set Screw.....
204383	23308	Needle Bar (hollow) with 200125F, 200175D and 204250.....
175098	23308	Needle Bar Connecting Link.....
140028C	23308	" " " " Hinge Screw..
1722J	23308	" " " " " " " Nut.....
175810	23308	Needle Bar Connecting Link Hinge Stud with 160E.....
175811	-----	Needle Bar Connecting Link Hinge Stud 175810 with 1492J, 175100 and 175101

No.	Plate	Name
160E	23308	Needle Bar Connecting Link Hinge Stud Clamping Screw.....
175100	23308	Needle Bar Connecting Link Hinge Stud Thread Guide Plate.....
1492J	23308	Needle Bar Connecting Link Hinge Stud Thread Guide Plate Screw.....
175101	23308	Needle Bar Connecting Link Hinge Stud Thread Guide Roller.....
175102	23308	Needle Bar Connecting Stud (lower).....
1681J	23308	" " " " " Nut..
51652J	23308	" " " " " " Lock Nut.....
175103	23308	Needle Bar Connecting Stud (lower) Washer.....
175104	23308	Needle Bar Connecting Stud (upper).....
1681J	23308	" " " " " Nut..
51652J	23308	" " " " " " Lock Nut.....
175103	23308	Needle Bar Connecting Stud (upper) Washer.....
175105	22895	Needle Bar Eccentric with 140027C.....
175106	22896	" " " Connecting Rod with 1521J, 140024E, 175535 and two 140029E
140029E	22896	Needle Bar Eccentric Connecting Rod Cap Screw.....
140024E	22896	Needle Bar Eccentric Connecting Rod Clamping Screw.....
1521J	22896	Needle Bar Eccentric Connecting Rod Clamping Screw Nut.....
140031C	22896	Needle Bar Eccentric Connecting Rod Hinge Screw.....
51653E	22896	Needle Bar Eccentric Connecting Rod Hinge Screw Nut.....
175535	22896	Needle Bar Eccentric Connecting Rod Oil Pad (felt).....
175108	22895	Needle Bar Eccentric Pawl with 175114...
175109	-----	Needle Bar Eccentric Pawl complete, Nos. 175108, 175110 and 175112.....
175110	22895	Needle Bar Eccentric Pawl Bracket with 175111.....
134E	22895	Needle Bar Eccentric Pawl Bracket Screw.
175111	22895	" " " " " Steady Pin.....
175112	22895	Needle Bar Eccentric Pawl Hinge Pin....
175113	22895	" " " " Spring.....
175114	22895	" " " " Stud...
175119	22895	" " " Pin.....
140027C	22895	" " " Set Screw.....
204250	23308	" " Thread Guide.....
200175D	23308	" " " " Screw.....

No.	Plate	Name
175296	22896	Needle Bar Vibrating Cam with 175185....
175119	22896	" " " " Pin.....
175120	22896	" " " " Lever.....
175756	22896	" " " " Adjusting Bracket with 458C and 1341C.....
175759	-----	Needle Bar Vibrating Lever Adjusting Bracket 175756 with 175123 and 175770.....
175757	22896	Needle Bar Vibrating Lever Adjusting Bracket Hinge Stud.....
175770	-----	Needle Bar Vibrating Lever Adjusting Bracket Hinge Stud 175757 with 175758.....
1341C	22896	Needle Bar Vibrating Lever Adjusting Bracket Hinge Screw Set Screw.....
175758	22896	Needle Bar Vibrating Lever Adjusting Bracket Hinge Stud Slide.....
51654C	22896	Needle Bar Vibrating Lever Adjusting Bracket Lock Nut.....
175123	22896	Needle Bar Vibrating Lever Adjusting Bracket Lock Nut Screw Stud.....
458C	22896	Needle Bar Vibrating Lever Adjusting Bracket Lock Nut Screw Stud Set Screw.....
175125	22896	Needle Bar Vibrating Lever Adjusting Bracket Lock Nut Washer.....
175126	22896	Needle Bar Vibrating Lever Arm with 51923.....
140033C	22896	Needle Bar Vibrating Lever Arm Hinge Screw.....
51923	22896	Needle Bar Vibrating Lever Arm Roller and Screw Stud.....
140024E	22896	Needle Bar Vibrating Lever Arm Screw....
175032	22896	" " " " " " " Washer.....
140034C	22896	Needle Bar Vibrating Lever Hinge Screw..
140035C	22896	" " " " " " " Lock Screw.....
175127	22896	Needle Bar Vibrating Lever Hinge Screw Slide.....
175591	22895	Needle Guide with 175547 and two 218D...
175546	-----	" " 175591 with 175131 and 175136.....
175130	22895	Needle Guide Cam with two 1259C.....
1259C	22895	" " " " Set Screw.....
175132	22895	" " Oscillating Crank with 140159E and 175134.....
140159E	22895	Needle Guide Oscillating Crank Clamping Screw.....
175016	22895	Needle Guide Oscillating Crank Spring...

No.	Plate	Name
175134	22895	Needle Guide Oscillating Crank Spring Hook (crank end).....
175135	22895	Needle Guide Oscillating Crank Spring Hook (bed end).....
175131	22895	Needle Guide Pin.....
175136	22895	" " Shaft.....
175094	22895	" " " Bushing.....
458C	22895	" " " " Set Screw....
175547	22895	" " Thread Finger.....
218D	22895	" " " " Screw.....
175138	23308	" Plate.....
140019F	23308	" " Screw.....
200125F	23308	" Set Screw.....
175140	22895	Pulley with 51655J, 140037C and 175820, 2 3/4 in. diam.....
Note: No. 175140 is regularly furnished with the machine.		
175634	-----	Pulley with 51655J, 140037C and 175820, 3 1/4 in. diam.....
175636	-----	Pulley with 51655J, 140037C and 175820, 3 3/4 in. diam.....
140037C	22895	Pulley Engaging Screw.....
51655J	22895	" " " Nut.....
175820	22895	" Oil Wick.....
175142	22895	" Shaft.....
175595	-----	" " 175142 with 175069, 175105, 175143, 175144, 175150, 175294 and two 175119.....
175143	22895	Pulley Shaft Gear.....
175144	22895	" " " Pin.....
175145	22895	" Shifter.....
175146	22895	" " Holder with 51649J and 140078C.....
140078C	22895	Pulley Shifter Holder Set Screw.....
51649J	22895	" " " " " Lock Nut.
1178E	22895	" " Screw.....
175148	22895	Starting Crank with 1747J and 140039E...
175630	-----	" " 175148 with 175149 and 175155.....
140039E	22895	Starting Crank Adjusting Screw.....
1747J	22895	" " " " " Nut.....
175149	22895	" " Pin.....
175150	22895	Stop Dog.....
175151	22895	" " Cushion Spring.....
175152	22895	" " " " Holder with 50581C, 175151 and two 140040C.....
50581C	22895	Stop Dog Cushion Spring Holder Set Screw
140040C	22895	" " " " Set Screw.....
175119	22895	" " Pin.....
175153	22895	" Motion Retaining Collar.....

No.	Plate	Name
160J	22895	Stop Motion Retaining Collar Screw.....
175154	22895	" " " " " Stud.
882C	22895	" " " " " "
		Set Screw.....
175155	22895	Stop Motion Shaft.....
175156	22895	" " " Spring.....
175157	22895	" " " " Collar with 140041C.....
140041C	22895	Stop Motion Shaft Spring Collar Set Screw.....
175158	22895	Stop Motion Trip.....
175159	22895	" " " Block with 882C and 175154.....
140042C	22895	Stop Motion Trip Block Hinge Screw.....
51649E	22895	" " " " " Nut..
175113	22895	" " " " Spring.....
175229	22896	" " " Point.....
160J	22895	" " " Screw.....
175032	22895	" " " Washer.....
175160	23309	Tension (automatic) Disc.....
175161	23309	" " " Position Pin...
1560C	23309	" " " Regulating Thumb Nut
175162	22895	" " " Releasing Cam with two 140027C.....
140027C	22895	Tension (automatic) Releasing Cam Set Screw.....
175522	23309	Tension (automatic) Releasing Disc.....
175163	23309	" " " Rod.....
1521J	23309	" " " " Adjust- ing Nut.....
1521J	23309	Tension (automatic) Releasing Rod Ad- justing Nut Lock Nut.....
175164	23309	Tension (automatic) Releasing Rod Spring
175165	23309	" " " " Wearing Sleeve.....
140043C	23309	Tension (automatic) Screw Stud.....
175166	-----	" " " " 140043C with 1560C.....
125314	23309	Tension (automatic) Spring.....
175167	23309	" " " Thread Eyelet.....
175168	-----	Tension (automatic) complete, Nos. 125314, 175166, 175522 and two 175160.
175160	23309	Tension (stationary) Disc.....
175161	23309	" " " Position Pin..
1560C	23309	" " " Regulating Thumb Nut.....
140044C	23309	Tension (stationary) Screw Stud.....
175169	-----	" " " " 140044C with 1560C.....
13710	23309	Tension (stationary) Spring.....

No.	Plate	Name
175170	-----	Tension (stationary) complete, Nos. 13710, 175169 and two 175160.....
175171	23309	Thread Eyelet (back).....
175172	23309	" " (front).....
175173	23309	" Nipper Head.....
175174	23309	" " Plate.....
160J	23309	" " " Screw.....
175175	23309	" " " Washer.....
140045K	23309	" " Releasing Head Screw.....
175176	23309	" " " Lever.....
140046C	23309	" " " " Hinge Screw.....
175177	23309	Thread Nipper Releasing Rod.....
175178	-----	" " " " 175177 with 175173.....
175179	23309	Thread Nipper Releasing Rod Spring (lower).....
175180	23309	Thread Nipper Releasing Rod Spring (lower) Washer.....
175181	23309	Thread Nipper Releasing Rod Spring (upper).....
175182	23309	Thread Nipper Releasing Rod Spring Collar with 465C.....
465C	23309	Thread Nipper Releasing Rod Spring Collar Set Screw.....
175183	23309	Thread Nipper Releasing Screw Stud.....
1722J	23309	" " " " " Nut..
175184	23309	" " " " " " Washer.....
175185	22896	Thread Nipper Releasing Stud.....
175161	23309	" " Thread Guide Pin.....
175186	23309	" Pull-off (back).....
175187	23309	" " " Holder with 160C and 1120C.....
160C	23309	Thread Pull-off (back) Holder Set Screw.
1120C	23309	" " " Set Screw.....
175188	23309	" " (front).....
175189	23309	" " " Holder with 1120C and 175190.....
175190	23309	Thread Pull-off (front) Holder Stop Pin.
1120C	23309	" " " Set Screw.....
175191	23309	" " Stop Collar with 160C and 175192.....
160C	23309	Thread Pull-off Stop Collar Set Screw...
175192	23309	" " " Stop Pin....
175167	23309	" " Thread Eyelet.....
*15404	-----	Trade Mark.....
15405	-----	" " Rivet.....

MACHINE No. 175-34

For Sewing Buttons on Men's and Boys' Clothing, Work Shirts, Pants, Overalls, Sweaters, etc. For medium and large two and four hole flat buttons. In four hole buttons makes two parallel bars with one diagonal cross-over stitch. In two hole buttons makes the Dubbilstay stitch, spreading the stitches in the fabric same as in a four hole button. Makes sixteen stitches, including cross-over and knotting stitches. Clamp Moves UP the bed ONLY when sewing four hole buttons. Speed 1000 R. P. M.

NOTE: THIS MACHINE IS THE SAME AS THE 175-33 MACHINE, WITH THE FOLLOWING EXCEPTIONS:

No.	Plate	Name
175298	23310	Button Clamp (left) 175021 with 228J, 140021C, 175026 and 175299, in place of 175022.....
175299	23310	Button Clamp (left) Spring Reinforcing Spring.....
175300	23310	Button Clamp (right) 175027 with 228J, 140021C, 175030 and 175299, in place of 175028.....
175299	23310	Button Clamp (right) Spring Reinforcing Spring.....
175303	23310	Button Clamp Closing Spring, in place of 175040.....
175302	23310	Button Clamp Spreader and Button Stop, in place of 175056.....
175736	-----	Button Clamp Spreader and Button Stop 175302 with 175058 and two 1472J, in place of 175734.....
175304	-----	Button Clamp complete, Nos. 51688J, 140265W, 175057, 175298, 175300, 175303, 175736 and two 140020C, in place of 175059.....
175613	23310	Button Clamp 175304 with 680W, 175031, 175033, two 140024C and three 175032, for 20 to 45 ligne buttons, in place of 175611 and 175626.....
175355	22897	Feed Cam, in place of 175293.....
175603	-----	" " Driving Worm Wheel Shaft 175071 with 175119 and 175358, in place of 175602.....
175305	23310	Feed Plate, in place of 175072.....
175358	22897	Needle Bar Vibrating Cam with 175185, in place of 175296.....

MACHINE No. 175-38

For Sewing Top and Stay Buttons, in One Operation, for Raincoats, Sheep-Lined Clothing, Leather Jackets, etc. For medium and large two and four hole buttons. In four hole buttons makes two parallel bars with one diagonal cross-over stitch. Will sew a two hole button with a four-hole stay button by using the Dubbilstay movement. Makes sixteen stitches, including cross-over and knotting stitches. Clamp Moves UP the bed ONLY when sewing four hole buttons. Speed 1000 R. P. M.

NOTE: THIS MACHINE IS THE SAME AS THE 175-33 MACHINE, WITH THE FOLLOWING EXCEPTIONS:

No.	Plate	Name
175340	22899	Arm Rock Shaft with 175007, in place of 175004.....
175298	22898	Button Clamp (left) 175021 with 228J, 140021C, 175026 and 175299, in place of 175022.....
175299	22898	Button Clamp (left) Spring Reinforcing Spring.....
175300	22898	Button Clamp (right) 175027 with 228J, 140021C, 175030 and 175299, in place of 175028.....
175299	22898	Button Clamp (right) Spring Reinforcing Spring.....
175303	22898	Button Clamp Closing Spring, in place of 175040.....
175302	22898	Button Clamp Spreader and Button Stop, in place of 175056.....
175736	-----	Button Clamp Spreader and Button Stop 175302 with 175058 and two 1472J, in place of 175734.....
175304	-----	Button Clamp complete, Nos. 51688J, 140265W, 175057, 175298, 175300, 175303, 175736 and two 140020C, in place of 175059.....
175613	22898	Button Clamp 175304 with 680W, 175031, 175033, two 140024C and three 175032, for 20 to 45 ligne buttons, in place of 175611 and 175626.....
175355	22899	Feed Cam, in place of 175293.....
175603	-----	" " Driving Worm Wheel Shaft 175071 with 175119 and 175358, in place of 175602.....

No.	Plate	Name
175584	22898	Feed Plate for 175613, in place of 175072.....
197J	22898	Feed Plate Screw, in place of 227J.....
175357	22898	" " " Lock Washer.....
175585	22896	" " Stay Button Holder with two 175590 (18 ligne stay button).....
175589	22898	Feed Plate Stay Button Holder Spring....
175590	22898	" " " " " Stud.....
175348	23311	Needle Bar Connecting Link, in place of 175098.....
175349	23311	Needle Bar Connecting Stud (lower) in place of 175102.....
175358	22899	Needle Bar Vibrating Cam with 175185, in place of 175296.....

SINGER Needles should be used
in SINGER Machines.
These Needles and their Containers
are marked with the
Company's Trade Mark "SIMANCO. **" 1

Needles in Containers marked
"FOR SINGER MACHINES"
are NOT **SINGER** made needles. 2

MACHINE No. 175-45

For Sewing Buttons on Sack Coats and Top Coats where it is Desired to have the Button Raised from the Material. For two and four hole buttons, sewing away from the fabric in preparation for shanking or necking. Makes sixteen stitches, including the diagonal cross-over and knotting stitches. Clamp Moves UP the bed ONLY when sewing four hole buttons. Fitted with elevating foot for sewing away from the fabric, and an adjustable gauge for blind stitching to the fabric. Speed 1000 R. P. M.

NOTE: THIS MACHINE IS THE SAME AS THE 175-33 MACHINE,
WITH THE FOLLOWING EXCEPTIONS:

No.	Plate	Name
175340	22899	Arm Rock Shaft with 175007, in place of 175004.....
175298	22900	Button Clamp (left) 175021 with 228J, 140021C, 175026 and 175299, in place of 175022.....
175299	22900	Button Clamp (left) Spring Reinforcing Spring.....
175300	22900	Button Clamp (right) 175027 with 228J, 140021C, 175030 and 175299, in place of 175028.....
175299	22900	Button Clamp (right) Spring Reinforcing Spring.....
175303	22900	Button Clamp Closing Spring, in place of 175040.....
175401	22900	Button Clamp Leveling Foot (single) high foot.....
Note: When ordering No. 175401, specify step required.		
140067J	22900	Button Clamp Leveling Foot Position Screw.....
140068W	22900	Button Clamp Leveling Foot Thumb Screw..
175302	22900	" " Spreader and Button Stop, in place of 175056.....
175736	-----	Button Clamp Spreader and Button Stop 175302 with 175058 and two 1472J, in place of 175734.....

No.	Plate	Name
175403	-----	Button Clamp complete, Nos. 51688J, 140067J, 140068W, 140265W, 175057, 175298, 175300, 175303, 175736 and two each 140020C and 175401, in place of 175059.....
Note: No. 175401 is furnished in 1/8 in. and 11/32 in. steps unless otherwise specified on order.		
175614	22900	Button Clamp 175403 with 680W, 175031, 175033, two 140024C and three 175032, for 20 to 45 ligne buttons, in place of 175611 and 175626.....
175355	22899	Feed Cam, in place of 175293.....
175603	-----	" " Driving Worm Wheel Shaft 175071 with 175119 and 175358, in place of 175602.....
175405	22900	Feed Plate with 185J and three 175407, in place of 175072.....
185J	22900	Feed Plate Work Support Adjusting Screw.
175407	22900	" " " " Rivet.....
175348	23311	Needle Bar Connecting Link, in place of 175098.....
175349	23311	Needle Bar Connecting Stud (lower) in place of 175102.....
175358	22899	Needle Bar Vibrating Cam with 175185, in place of 175296.....

SINGER Needles should be used in SINGER Machines. These Needles and their Containers are marked with the Company's Trade Mark "SIMANCO.***" 1

Needles in Containers marked "FOR SINGER MACHINES" are NOT **SINGER** made needles. 2

MACHINE No. 175-46

For Sewing Buttons on Sack Coats, Top Coats and Overcoats where it is Desired to have the Button Raised from the Material. Also for sewing stay buttons. For two and four hole buttons, sewing away from the fabric in preparation for shanking or necking, both through and through and blind stitching. Makes sixteen stitches, including the diagonal cross-over and knotting stitches. Clamp Moves UP the bed ONLY when sewing four hole buttons. Fitted with single elevating foot for sewing away from the fabric blind stitch; also a double elevating foot for sewing away from the fabric through and through and a swinging blind stitch and stay button gauge for buttons from 18 to 22 ligne. Speed 1000 R. P. M.

NOTE: THIS MACHINE IS THE SAME AS THE 175-33 MACHINE, WITH THE FOLLOWING EXCEPTIONS:

No.	Plate	Name
175340	22899	Arm Rock Shaft with 175007, in place of 175004.....
175410	23302	Bed Top Cover (front) in place of 175020
175298	23301	Button Clamp (left) 175021 with 228J, 140021C, 175026 and 175299, in place of 175022.....
175299	23301	Button Clamp (left) Spring Reinforcing Spring.....
175300	23301	Button Clamp (right) 175027 with 228J, 140021C, 175030 and 175299, in place of 175028.....
175299	23301	Button Clamp (right) Spring Reinforcing Spring.....
175303	23301	Button Clamp Closing Spring, in place of 175040.....
175401	23301	Button Clamp Leveling Foot (single) high foot.....
175411	23301	Button Clamp Leveling Foot (double) high foot.....
Note: When ordering Nos. 175401 and 175411, specify step required.		
140067J	23301	Button Clamp Leveling Foot Position Screw.....
140068W	23301	Button Clamp Leveling Foot Thumb Screw
175302	23301	" " Spreader and Button Stop, in place of 175056.....
175736	-----	Button Clamp Spreader and Button Stop 175302 with 175058 and two 1472J, in place of 175734.....

No.	Plate	Name
175413	-----	Button Clamp complete, Nos. 51688J, 140067J, 140068W, 140265W, 175057, 175298, 175300, 175303, 175736 and two each 140020C, 175401 and 175411, in place of 175059.....
Note: Nos. 175401 and 175411 is furnished in 1/8 in. and 11/32 in. steps unless otherwise specified on order.		
175615	23301	Button Clamp 175413 with 680W, 175031, 175033, two 140024C and three 175032, for 14 to 45 ligne buttons, in place of 175611 and 175626.....
175355	22899	Feed Cam, in place of 175293.....
175603	-----	" " Driving Worm Wheel Shaft 175071 with 175119 and 175358, in place of 175602.....
175414	23301	Feed Plate.....
175415	23301	" " 175414 with 1620J, 140069W, 175416, 175417 and two 50090J, for 18 ligne stay button, in place of 175072.....
175417	23301	Feed Plate Stay Button Holder (18 ligne stay button) for 175415.....
140069W	23301	Feed Plate Stay Button Holder Hinge Screw.....
1620J	23301	Feed Plate Stay Button Holder Hinge Screw Nut.....
140070J	23302	Feed Plate Stay Button Holder Position Screw.....
175416	23301	Feed Plate Work Support.....
50090J	23301	" " " " Screw.....
175348	23302	Needle Bar Connecting Link, in place of 175098.....
175349	23302	Needle Bar Connecting Stud (lower) in place of 175102.....
175358	22899	Needle Bar Vibrating Cam with 175185, in place of 175296.....

ACCESSORIES

No.	Plate	Name
175193	22884	Button Tray with three 175194.....
175194	22884	" " Hinge Screw Stud.....
160C	22892	" " " " " Set Screw for 175829.....
175195	22884	Hand Wheel with two 1448C, for turning machine by hand.....
1448C	22884	Hand Wheel Set Screw.....
120342	22884	Oiler (copper plated) with 120343.....
120343	22884	" Spout, 3 1/2 in. long.....
26026	22884	Screw Driver.....
175197	22884	Wrench for 140026.....
175198	22884	" " 140027.....
175625	22884	" " 51671 and 140024.....

BELT AND PULLEY GUARD

(HINGED)

No.	Plate	Name
175537	22885	Belt and Pulley Guard.....
175538	22885	" " " " Fill-in Piece (metal) with two wood screws 3/4 in. No. 10 R.H., for Trough Power Tables
175539	22885	Belt and Pulley Guard Fill-in Piece (wood) with four wood screws 1 1/2 in. No. 12 F.H., for Flat Power Tables.....
175540	22885	Belt and Pulley Guard complete, for Individual Motor Table, for 175544, Nos. 42830, 175537, 175543 and two wood screws 1 in. No. 14 F.H.....
175541	22885	Belt and Pulley Guard Hinge Pin.....
175542	22885	" " " " " " Bracket.
175543	-----	" " " " " " " 175542 with 175541.....
42830	22885	Belt and Pulley Guard Hinge Pin Cotter Pin.....
175544	22885	Belt and Pulley Guard with Fill-in Pieces complete, Nos. 175538 to 175540.....

BUTTON CLAMP No. 175654

FOR 80 TO 120 LIGNE BUTTON

No.	Plate	Name
175637	22890	Button Clamp (left) with 175622.....
175638	22890	" " " 175637 with 230J, 140153C and 175639.....
140152C	22890	Button Clamp (left) Hinge Screw.....
51676J	22890	" " " " " Nut....
175653	22890	" " " " " Spacing Collar.....
140153C	22890	Button Clamp (left) Screw Stud.....
175639	22890	" " " Spring.....
230J	22890	" " " " Screw.....
175622	22890	" " " " Steady Pin..
175640	22890	" " (right) with 175622.....
175641	22890	" " " 175640 with 230J, 140153C and 175642.....
140152C	22890	Button Clamp (right) Hinge Screw.....
51676J	22890	" " " " " Nut....
175653	22890	" " " " " Spacing Collar.....
140153C	22890	Button Clamp (right) Screw Stud.....
175642	22890	" " " Spring.....
230J	22890	" " " " Screw.....
175622	22890	" " " " Steady Pin..
175644	22890	" " Adjusting Slide.....
140151J	22890	" " " " Guide Screw
51675J	22890	" " " " " " "
		Lock Nut.....
1656J	22890	Button Clamp Adjusting Slide Thumb Nut..
175643	22890	" " " Arm.....
175363	22890	" " " Hinge Bracket.....
140072K	22890	" " " Screw.....
175032	22890	" " " Washer.....
175647	22890	" " " Lifting Chain Bracket with two 190K.....
175648	22890	Button Clamp Lifting Chain Bracket Holder.....
190K	22890	Button Clamp Lifting Chain Bracket Set Screw.....
190K	22890	Button Clamp Lifting Chain Screw (lower)
175646	22890	" " " Opening Handle.....
223J	22890	" " " " Screw.....
175649	22890	" " " Spreader and Button Stop with two 175622.....
175622	22890	Button Clamp Spreader and Button Stop Slide Pin.....
140154W	22890	Button Clamp Spreader and Button Stop Slide Screw.....

No.	Plate	Name
175650	22890	Button Clamp Spreader and Button Stop Spring.....
175651	22890	Button Clamp Spreader and Button Stop Spring Guide Screw Stud.....
175652	22890	Button Clamp Spreader and Button Stop Spring Guide Screw Stud Holder.....
1521J	22890	Button Clamp Spreader and Button Stop Spring Guide Screw Stud Holder Nut..
175654	22890	Button Clamp complete for 80 to 120 ligne button, Nos. 1521J, 1656J, 51675J, 140151J, 175363, 175638, 175641, 175643, 175644, 175646 to 175652 and two each 223J, 51676J, 140072K, 140152C, 140154W, 175032 and 175653.

FEED PLATES

No.	Plate	Name
175574	23313	Feed Plate for 175738, for all machines except 175-38 Machine.....
175655	22890	Feed Plate for 175654.....

FEED PLATES

FOR MACHINE NO. 175-38

No.	Plate	Name
175621	23303	Feed Plate for 175738.....
175585	23304	" " Stay Button Holder with two 175590 (18 ligne stay button).....
175586	23304	Feed Plate Stay Button Holder with two 175590 (19 ligne stay button).....
175587	23304	Feed Plate Stay Button Holder with two 175590 (20 ligne stay button).....
175588	23304	Feed Plate Stay Button Holder with two 175590 (22 ligne stay button).....
175589	23304	Feed Plate Stay Button Holder Spring....
175590	23304	" " " " " Stud.....

FEED PLATES FOR MACHINE NO. 175-46

No.	Plate	Name
175414	23305	Feed Plate.....
175562	23305	" " 175414 with 1620J, 140069W, 175416, 175568 and two 50090J (19 ligne stay button).....
175563	23305	Feed Plate 175414 with 1620J, 140069W, 175416, 175569 and two 50090J (20 ligne stay button).....
175564	23305	Feed Plate 175414 with 1620J, 140069W, 175416, 175570 and two 50090J (22 ligne stay button).....
175568	23305	Feed Plate Stay Button Holder (19 ligne stay button) for 175562.....
175569	23305	Feed Plate Stay Button Holder (20 ligne stay button) for 175563.....
175570	23305	Feed Plate Stay Button Holder (22 ligne stay button) for 175564.....
140069W	23305	Feed Plate Stay Button Holder Hinge Screw.....
1620J	23305	Feed Plate Stay Button Holder Hinge Screw Nut.....
175416	23305	Feed Plate Work Support.....
50090J	23305	" " " " Screw.....

MACHINE BASE

No.	Plate	Name
175829	22892	Machine Base with 160C.....
175830	22892	Machine Base complete, Nos. 141C, 933F, 1637J, 140047C, 175425, 175829, 175831, 175832 and four wood screws 7/8 in. No. 14 R.H.....
140047C	22892	Machine Locating Screw Stud.....
175115	22892	" Lock Plate with 175202 and 175206.....
175202	22892	Machine Lock Plate Position Stud.....
51656J	22892	" " Thumb Nut.....
175206	22892	" " " " Screw Stud.....
175207	22892	" " " " Spring.....
175536	22892	" " " " Washer.....
175425	-----	Machine Lock complete, Nos. 51656J, 175115, 175207 and 175536.....

No.	Plate	Name
175831	22892	Machine Starting Lever.....
933F	22892	" " " Hinge Screw.....
175832	22892	" " " Spring.....
141C	22892	" " " Stop Screw.....
1637J	22892	" " " " " Nut...

STARTING LEVER AND FOOT LIFTER PARTS

No.	Plate	Name
175215	22892	Foot Lifter Chain, 37 in. long, with two 56865.....
56865	22892	Foot Lifter Chain Hook.....
175216	22892	" " Treadle.....
175217	22892	" " " Hinge Pin.....
175218	22892	" " " Stand.....
175219	22892	Foot Lifter Treadle complete, Nos. 175216 to 175218 and two wood screws 1 in. No. 14 F.H.....
175215	22892	Starting Lever Chain, 37 in. long, with two 56865.....
56865	22892	Starting Lever Chain Hook.....
175216	22892	" " Treadle.....
175217	22892	" " " Hinge Pin.....
175218	22892	" " " Stand.....
175219	22892	Starting Lever Treadle complete, Nos. 175216 to 175218 and two wood screws 1 in. No. 14 F.H.....

TABLE BELT GUIDE

No.	Plate	Name
175220	22885	Belt Guide (left) with 140035C.....
175221	22885	" " (right) with 140035C.....
140035C	22885	" " Set Screw.....
175222	22885	Pulley.....
175223	22885	" Shaft.....
175224	-----	" " 175223 with 1259E and 175227
175225	22885	" " Bracket with 444C.....
1259E	22885	" " Oil Plug Screw.....
175227	22885	" " " Wick.....
444C	22885	" " Set Screw.....
175228	22885	Table Belt Guide complete, Nos. 175220, 175221, 175224, 175225 and two each 175222 and wood screws 7/8 in. No. 14 R.H.....

THREAD UNWINDER

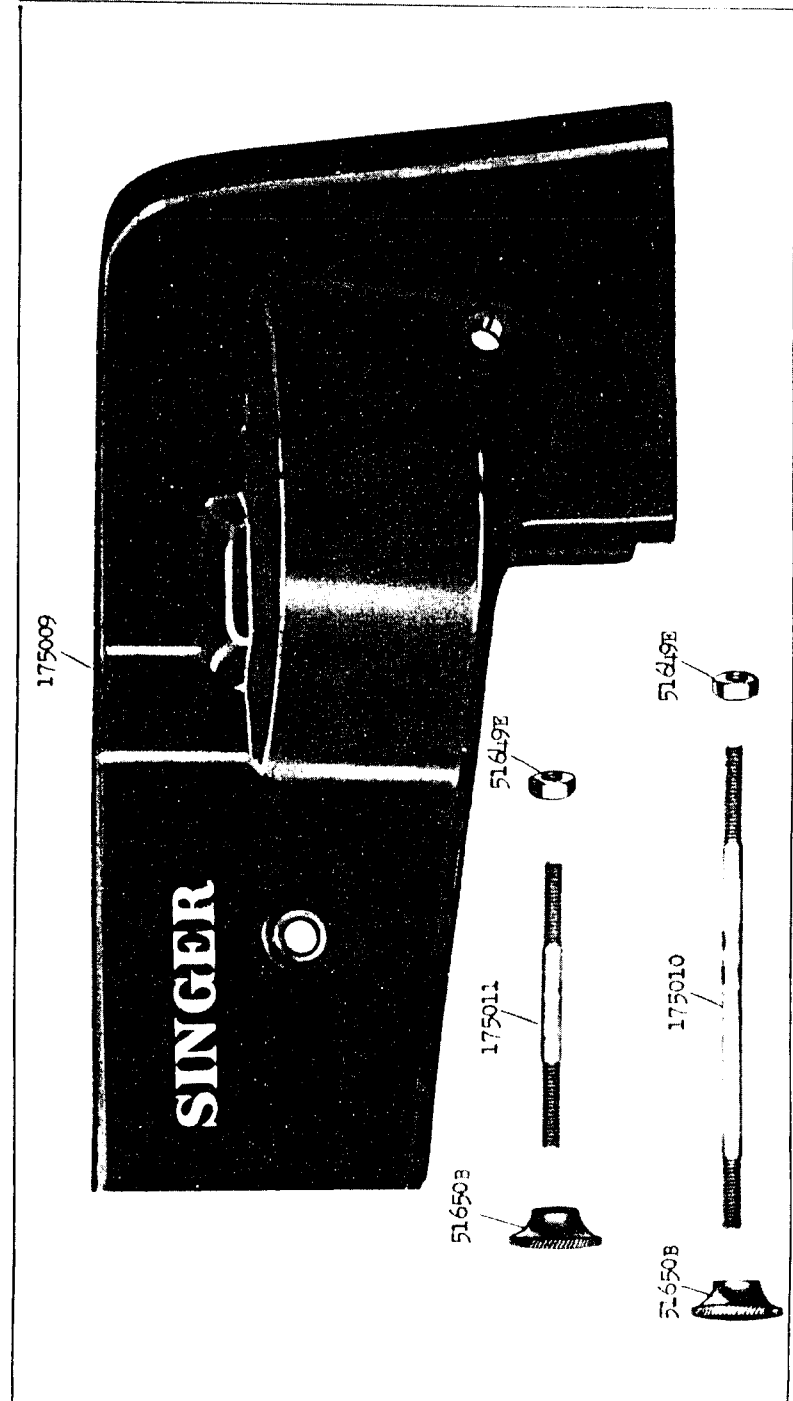
FOR ONE SPOOL OR ONE LARGE CONE OF THREAD

No.	Plate	Name
225259	22893	Spool Rest with 201018C
150203	22893	" " Cushion (felt).....
225388	22893	" " Rod.....
200383C	22893	" " " Set Screw.....
201018C	22893	" " Set Screw.....
202490	22893	" Stand with 200383C.....
225391	22893	Thread Guide.....
201696J	22893	" " Lock Nut.....
225326	22893	" " Position Cup.....
225324	22893	" " Rod with 208E and 225322...
208E	22893	" " " Screw.....
225322	22893	" " " Washer.....
225260	22893	Thread Unwinder complete, Nos. 150203, 201696J, 202490, 225259, 225324, 225326, 225388, 225391 and three wood screws 7/8 in. No. 12 F.H.....
27739	22893	Thread Cone (wood) for large cones.....
225390	22893	" " Holder for inverted cones...

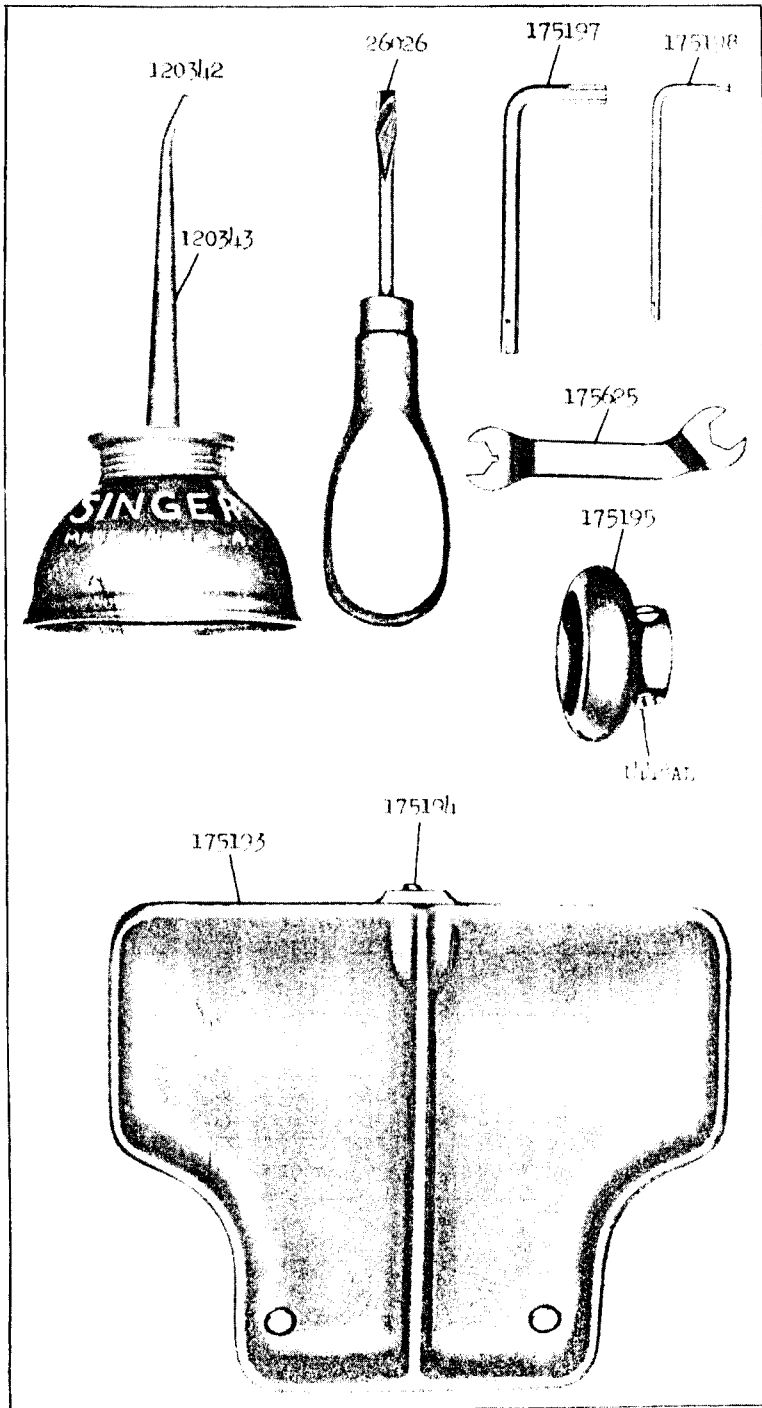
Note: Nos. 27739 and 225390 are used with, but not included in 225260.

SINGER Needles should be used in SINGER Machines. These Needles and their Containers are marked with the Company's Trade Mark "SIMANCO.™" 1

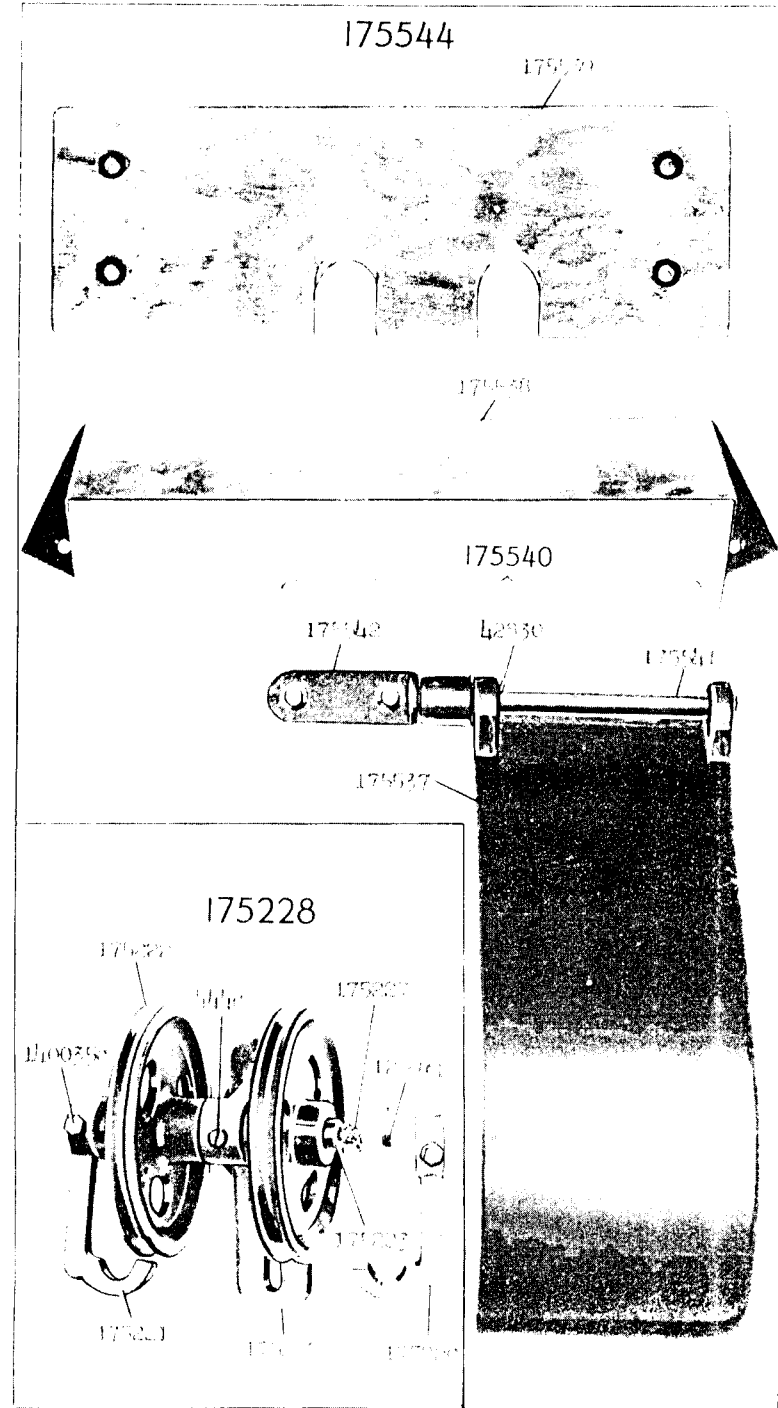
Needles in Containers marked "FOR SINGER MACHINES" are NOT **SINGER** made needles. 2



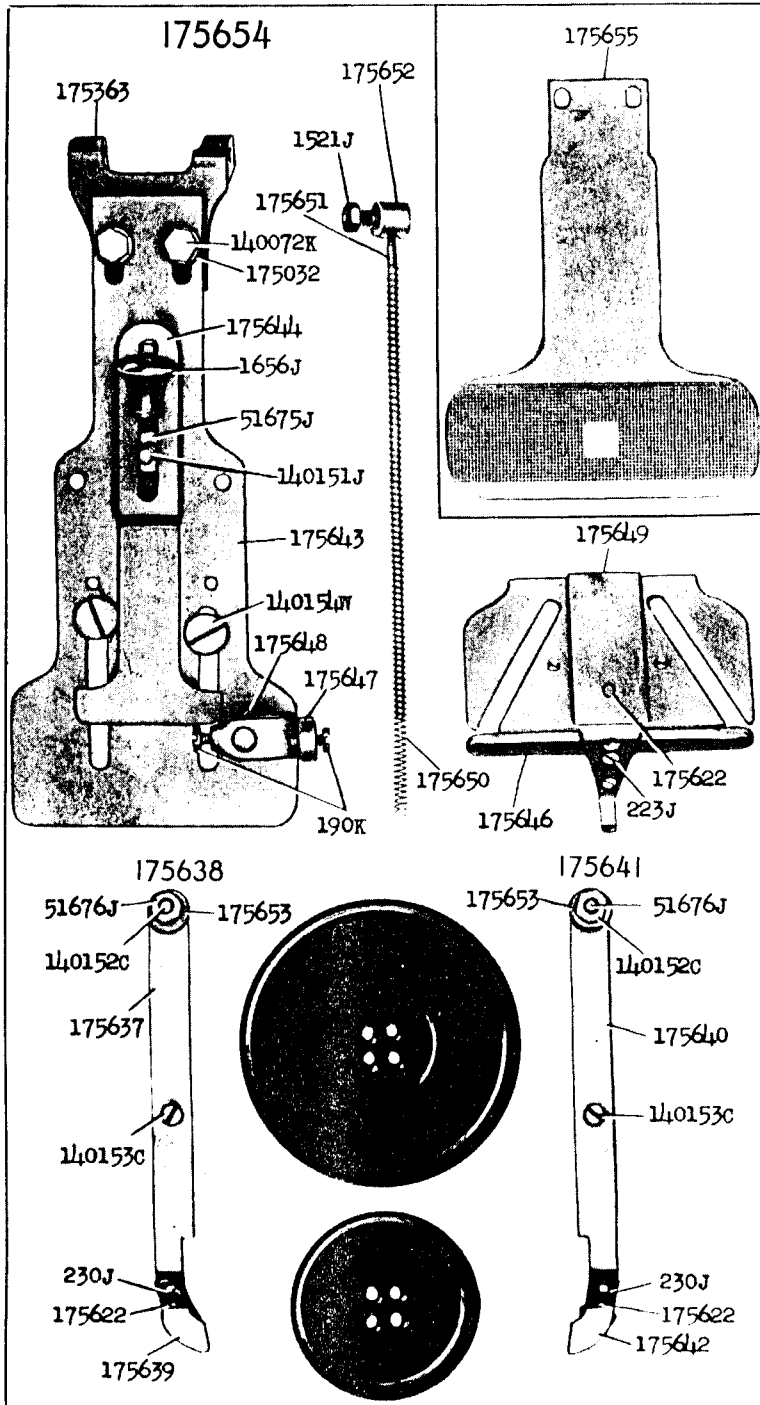
22884 - 1/2



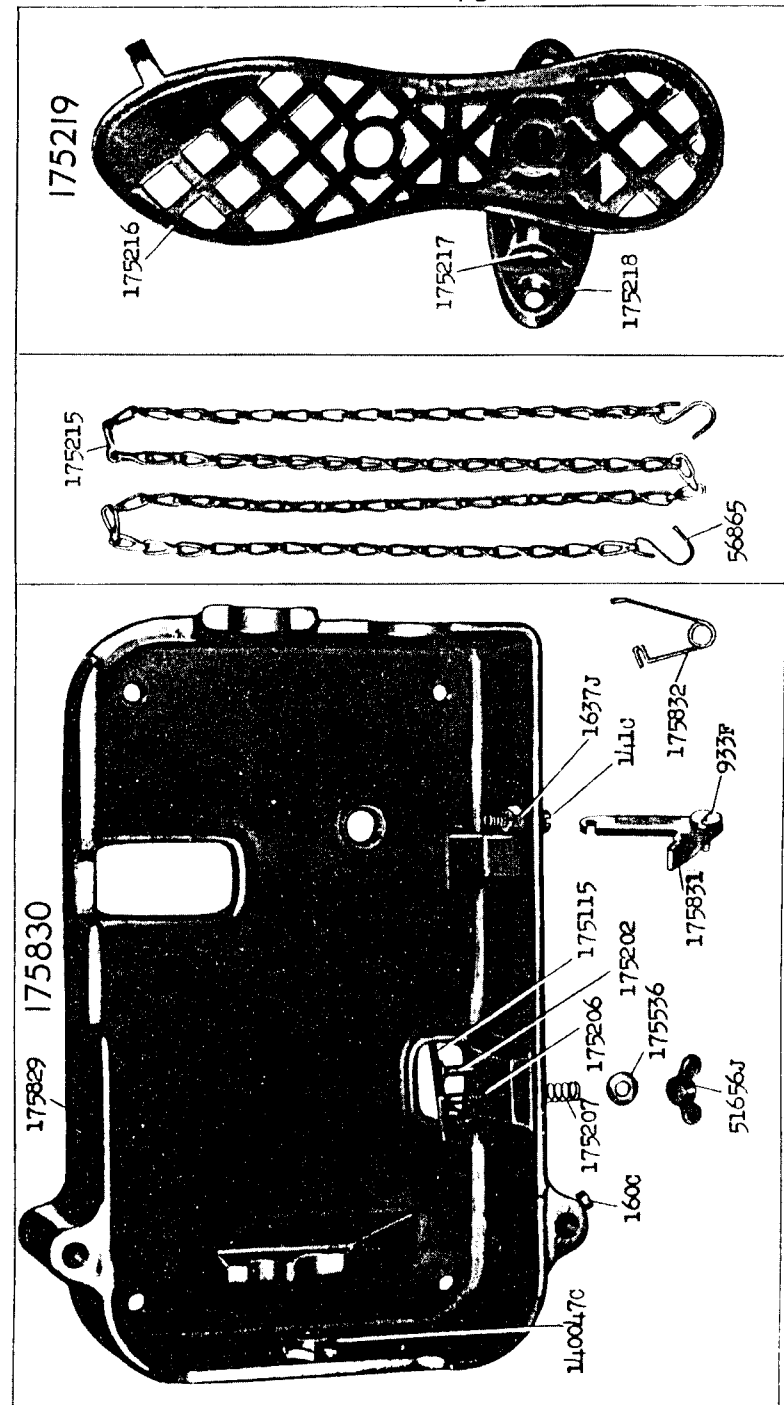
22885 - 1/3

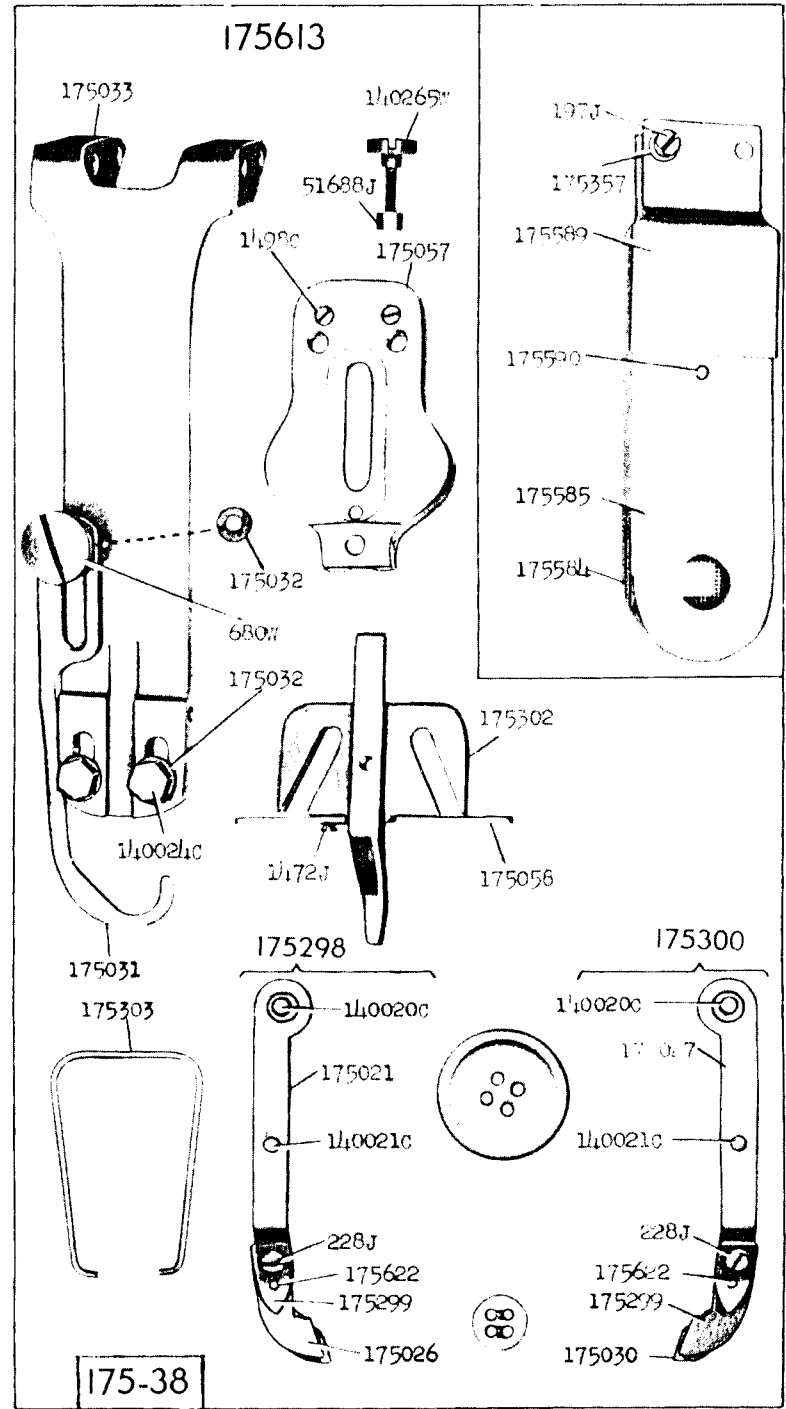
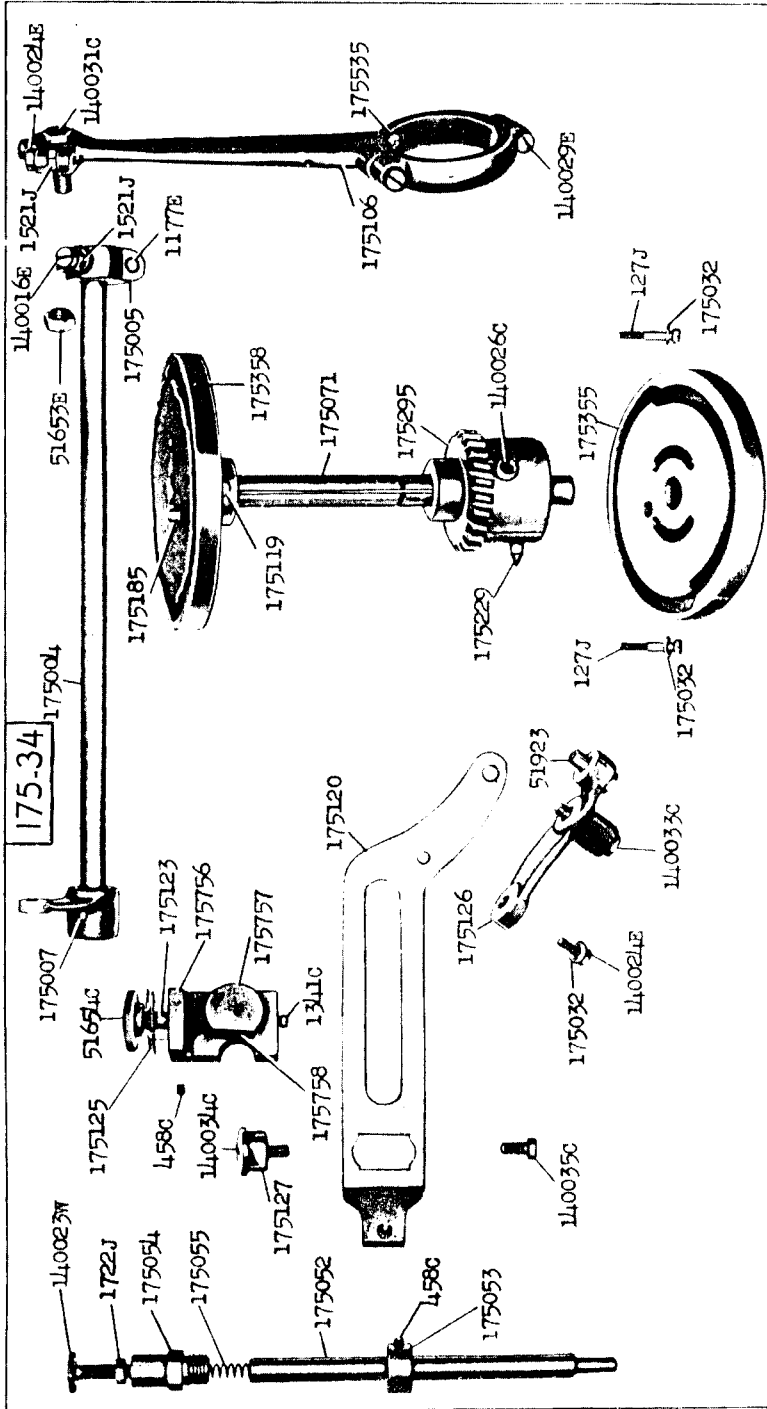


22890 - 1/2



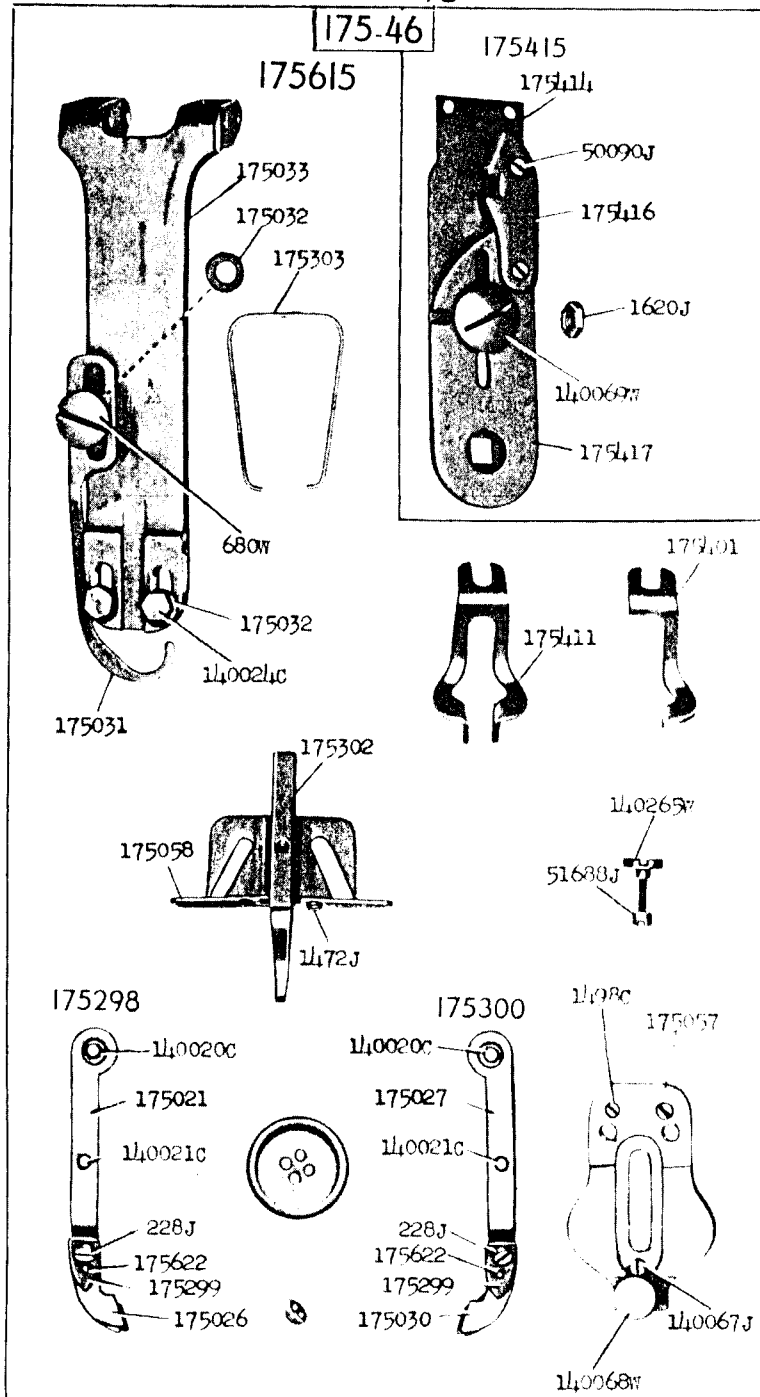
22892 - 1/3





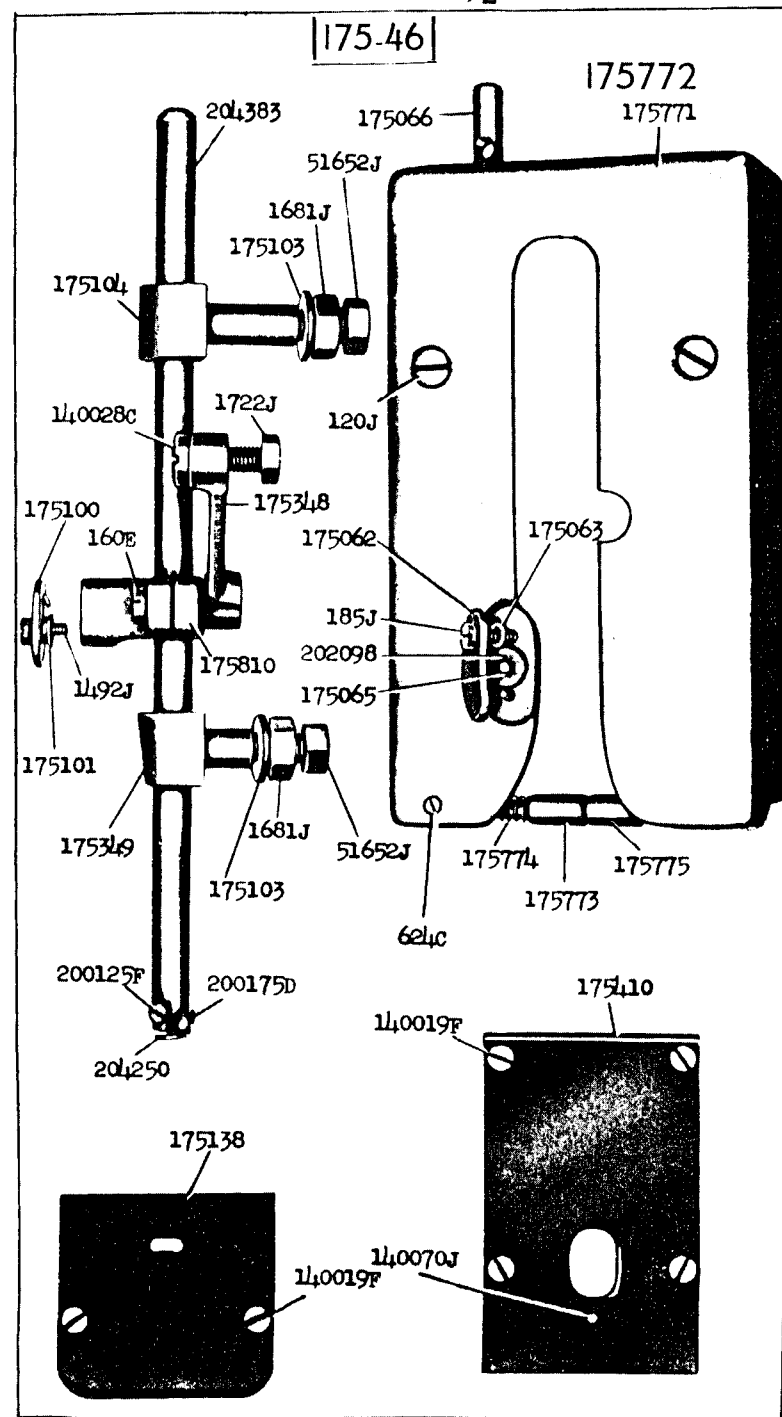
23301 - 1/2

175-46

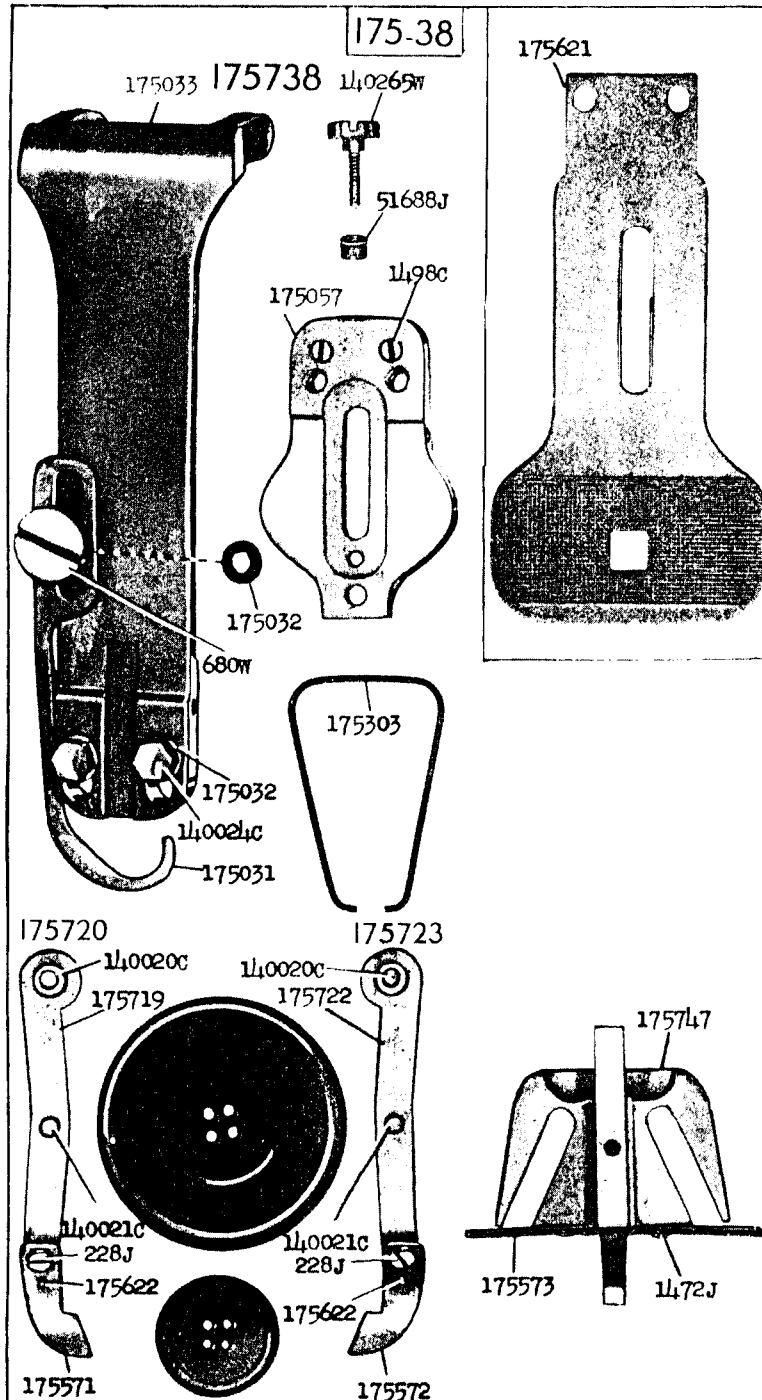


23302 - 1/2

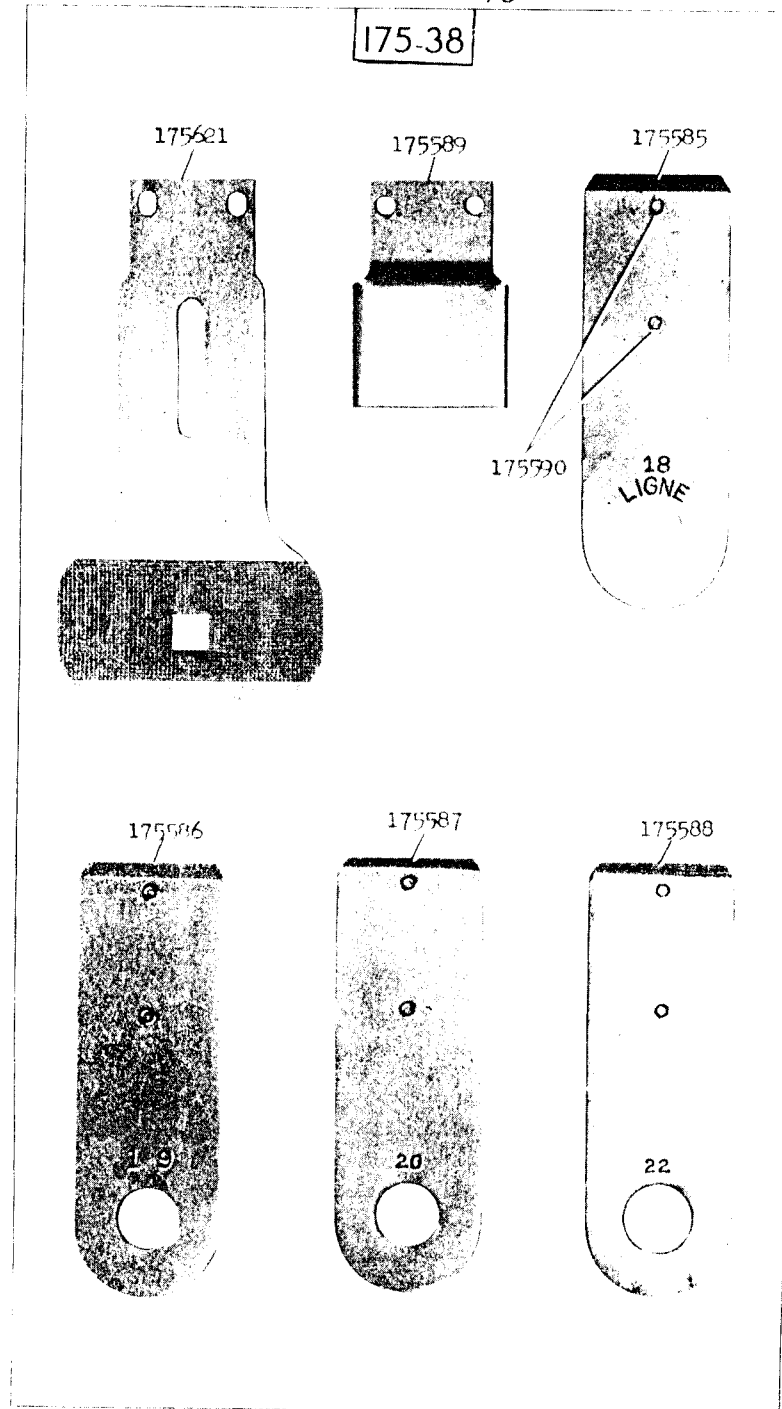
175-46



23303 - 2/3

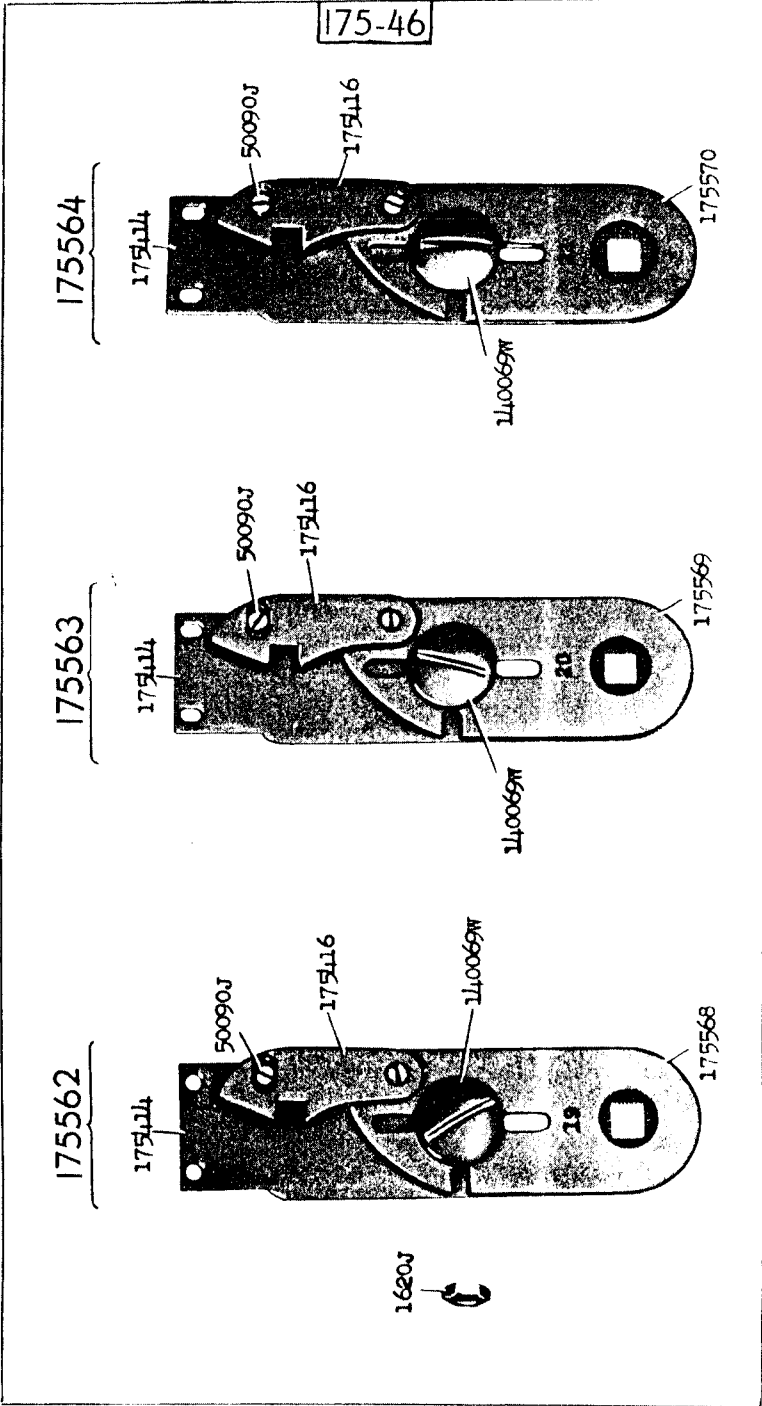


23304 - 2/3

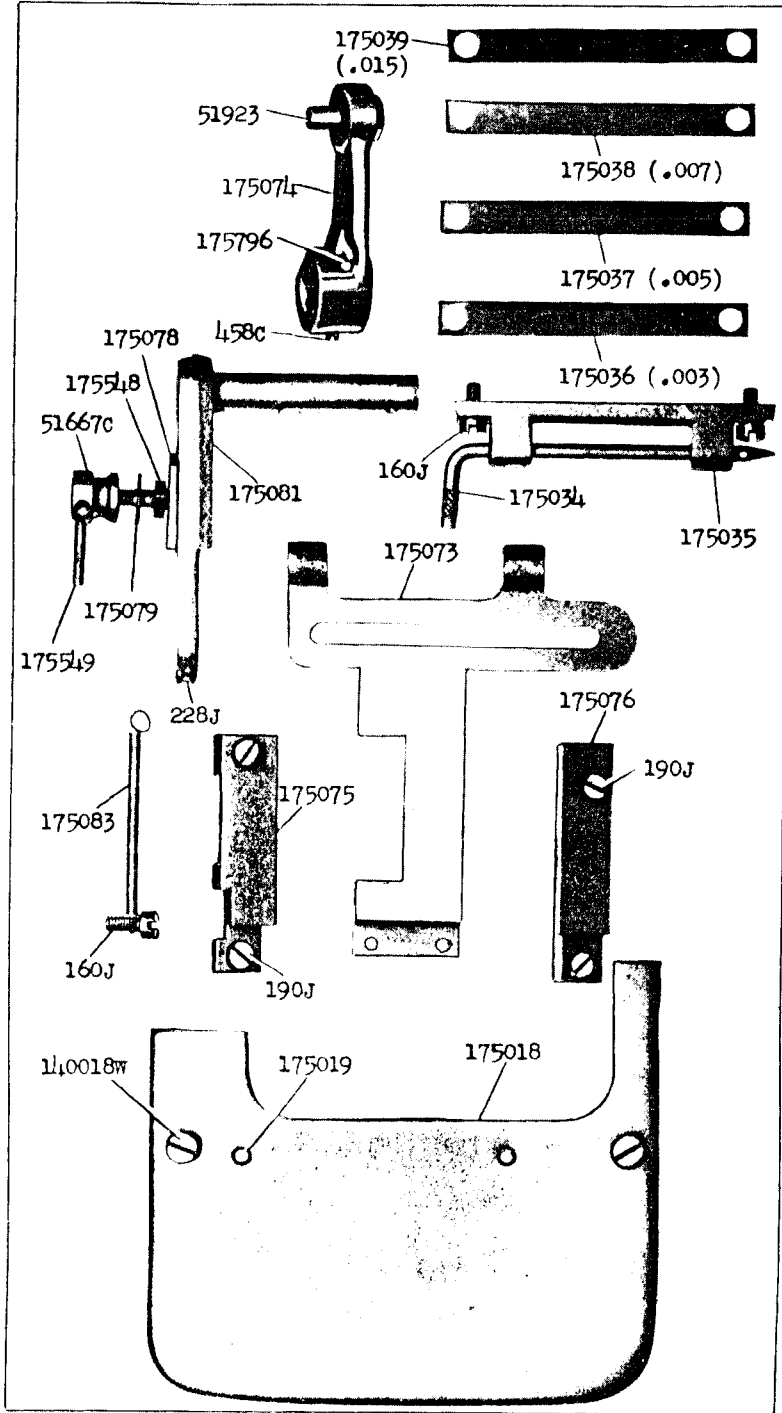


23305 - 2/3

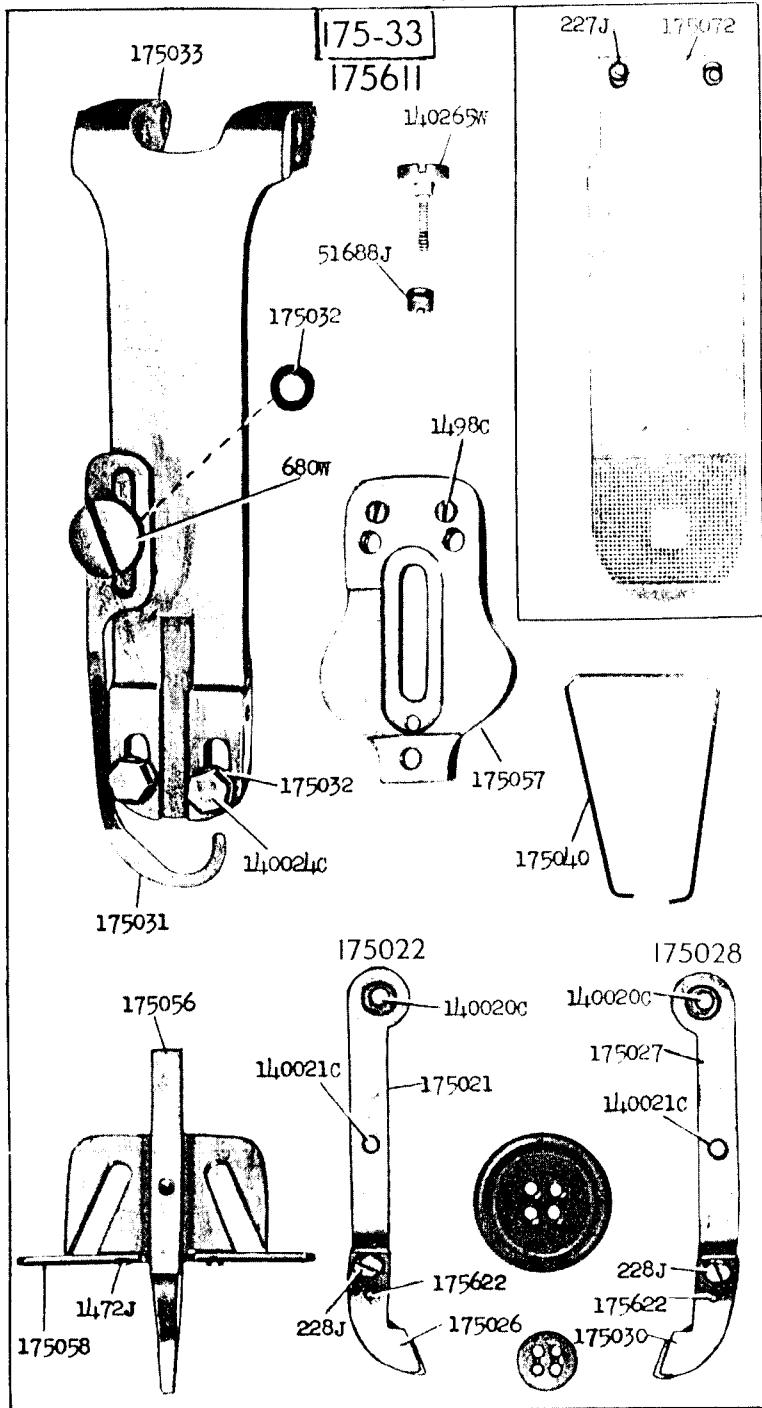
175-46



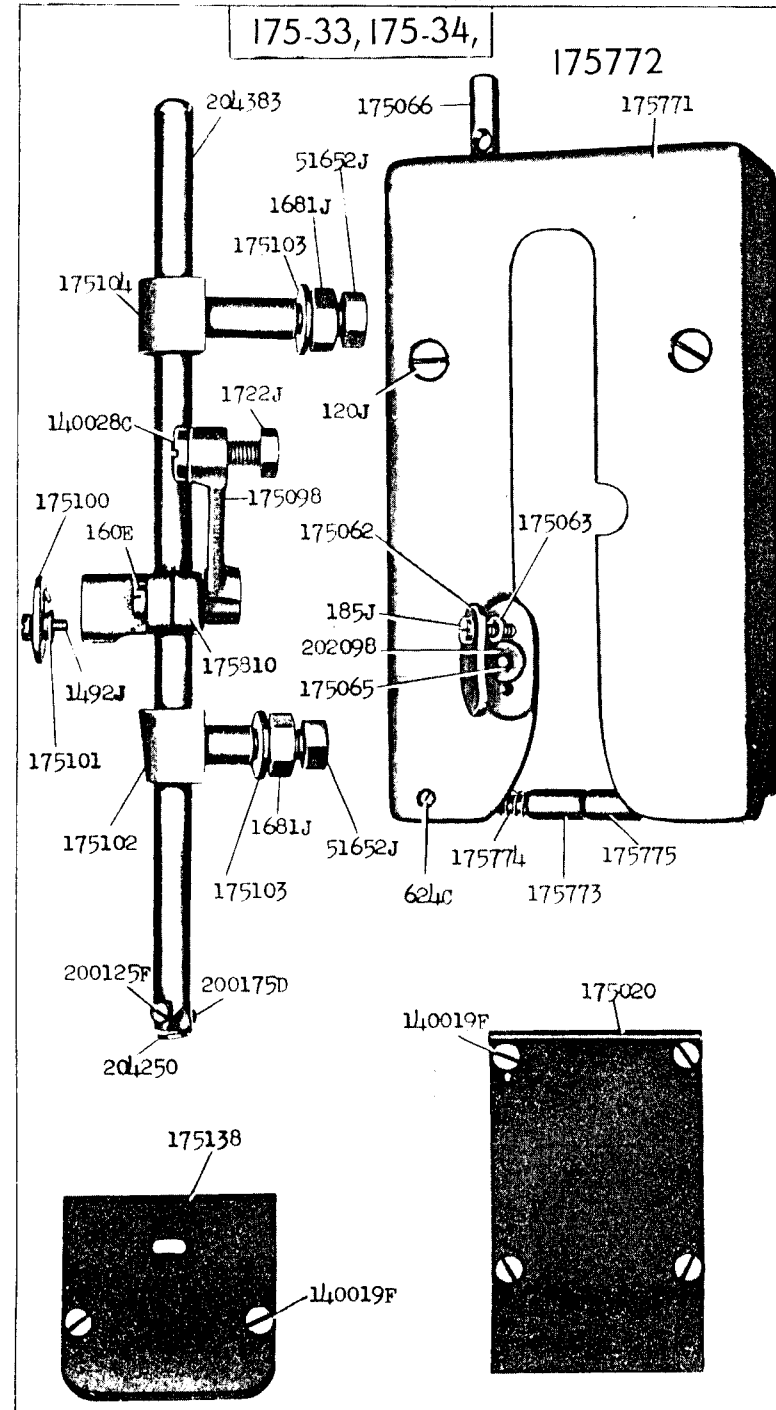
23306 - 1/2



23307 - 2/3

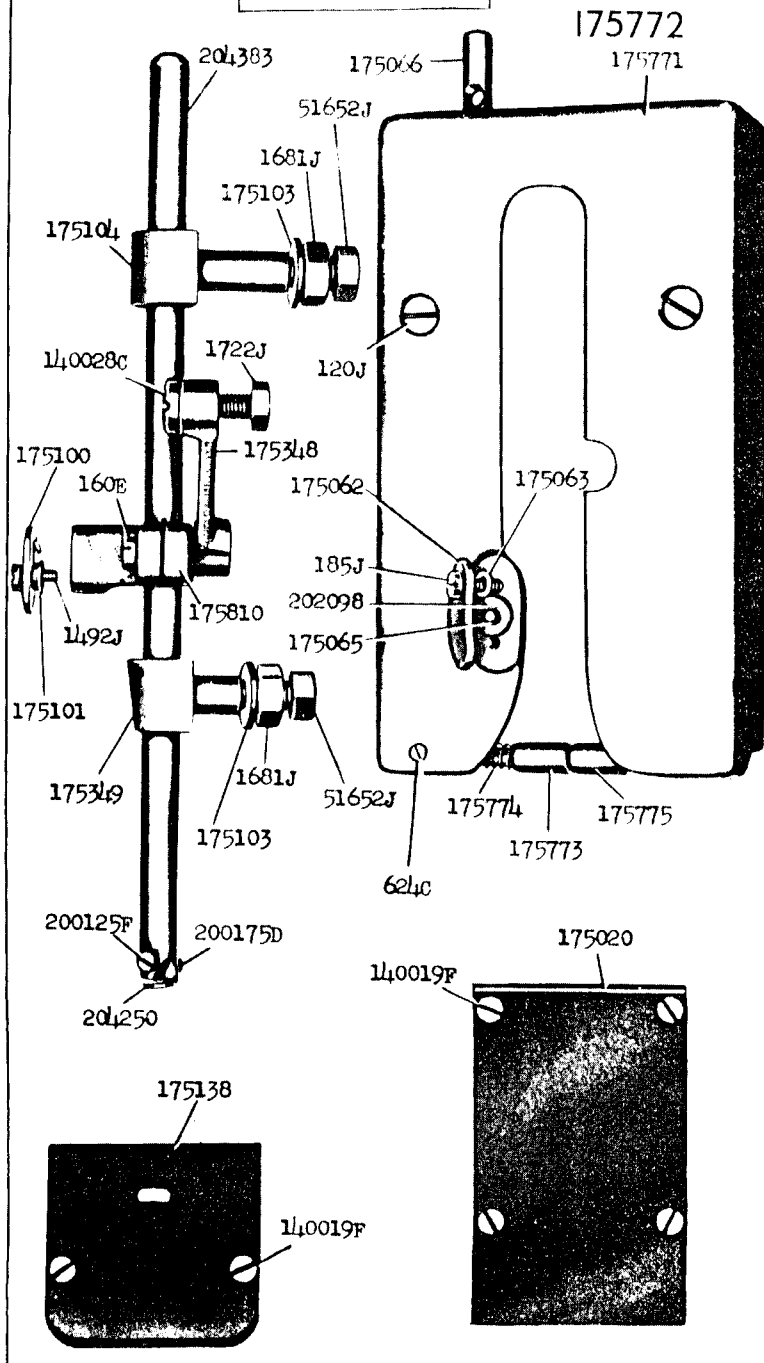


23308 - 1/2



23311 - 1/2

175-38, 175.45



23312 - 2/3

175-33

