

Form 19058
(337)
Printed in U. S. A.

LIST OF PARTS



SINGER** MACHINES

Nos. 114-37 and 114-38

THE SINGER MANUFACTURING COMPANY

**A Trade Mark of THE SINGER MANUFACTURING COMPANY

INSTRUCTIONS FOR OILING

To ensure easy running and prevent unnecessary wear of the parts which are in movable contact, the machine requires oiling and when in continuous use, "TYPE B" or "TYPE D" OIL, sold by Singer Sewing Machine Company, should be applied at least twice each day to all oil holes marked "OIL", as instructed in Form 8428.

"TYPE D" OIL should be used when an oil is desired which will produce a minimum of stain on fabrics, even after a long period of storage.

INDEX

	Page
Attachments and Accessories.....	32
Button Spacing Gauges.....	32
Foot Lifter Chain Guide.....	35
Foot Lifter Farts.....	34
Machine No. 114-37.....	5
Machine No. 114-38.....	19
Numerical List of Parts.....	37
Protectors.....	34
Starting Lever.....	35
Table Belt Guide.....	35
Thread Unwinder.....	36

INSTRUCTIONS FOR ORDERING

In ordering from this list, use **ONLY** the part **NUMBER** in the **FIRST** column.

The number stamped on a Sewing Machine Part is in every case the number of the single part only.

Every combination of parts sent out as such has its specific number, which, although not stamped on the parts, must be used when ordering the combination.

Each number always indicates the **SAME PART** in whatever list it appears, or for whatever machine.

The letters after some of the numbers indicate the style of finish only, as follows:

A-Hardened, Polished, Nickel Plated and Buffed

B-Polished, Nickel Plated and Buffed

C-Hardened Only

D-Polished Only

E-Soft, Not Polished

F-Hardened and Polished

F.J-Hardened, Polished and Nickel Plated

G-Bright Rumbled and Nickel Plated

H-Blued

J-Nickel Plated Only

K-Hardened and Nickel Plated

L-Brass Plated

M-Oxidized

N-Japanned, Dull

P-Japanned, Bright

R-Merlized

S-Cadmium Plating

T-Copper Plated

T.A-Hardened, Polished, Copper and Nickel Plated and Buffed

T.B-Copper and Nickel Plated and Polished

T.J-Copper and Nickel Plated Only

T.K-Hardened, Copper and Nickel Plated

T.M-Copper Plated and Oxidized

T.L-Copper and Brass Plated

U-Zinc Plated

V-Silver Plated

W-Polished and Nickel Plated

Y-Black Nickel Plated Only

Z-Chromium Plated

Z.B-Polished, Nickel Plated, Buffed and Chromium Plated

Z.J-Nickel and Chromium Plated

These letters **MUST BE USED** when they appear in the list; and **AFTER** the number as in the list.

In this series:

1 to 1500, 50001 to 51500 and 140001 to 142000 are Screw Numbers

1501 to 1800 and 51501 to 51800 are Nut Numbers

1801 to 2000 and 51801 to 52000 are Roller Numbers

2001 to 50000 and 52001 to 140000 and 142001 to

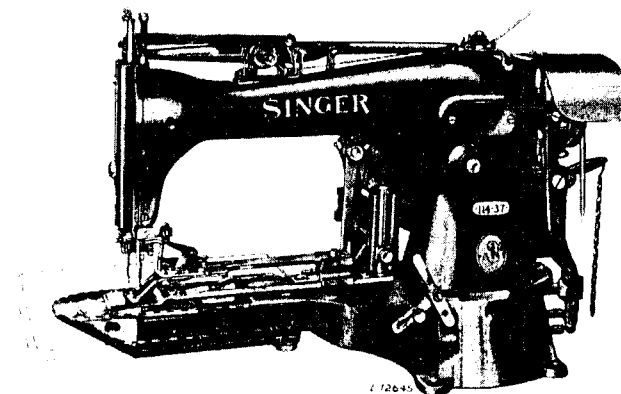
190000 are Sewing Machine Parts, 190001 and upward

are numbers of Electrical Parts.

The figures in the second column refer only to the plates, illustrating the parts, and are **NOT TO BE USED** in ordering.

Parts marked with an asterisk (*) are furnished only when repairs are made at factory.

LIST OF PARTS COMPLETE FOR



MACHINE No. 114-37

For Sewing Buttons on Shirts, Waists, Underwear, White Goods, Clothing, etc. Makes two parallel bars in four-hole buttons and can be adjusted for two-hole buttons. Makes sixteen stitches, including the cross stitch and fastening stitches. The work holding clamp vibrates up the cylinder. The machine has an extra high needle lift that will handle work 7/16 inch thick (including the button and material). The universal clamp furnished with this machine will accommodate buttons from 10 to 50 lignes, and the movement of the clamp can be adjusted from 5/64 inch to 3/16 inch. The machine is fitted with improved thread controlling mechanism and thread nipping device to hold the end of the thread until the first stitch is made. Stop motion and mechanism to cut the thread at the completion of the operation. Speed 1500 R. P. M.

No.	Plate	Name
*124845	----	Arm.....
*124825	----	" 124845 with 4449, 15404, 124839 and two each 164E and 15405.....
16532	6976	Arm Dowel Pin.....
4448	6976	" Oil Tube, for intermediate bearing..
56015	6976	" " " " oiling 59705 and 59706
880E	9555	" Screw.....

No.	Plate	Name
59702	7034	Arm Shaft (horizontal).....
*136541	----	" " " 59702 with 59774, 62235 and 68717.....
17703	9553	Arm Shaft (horizontal) Bushing (back)...
50333C	9555	" " " " " Ad- justing Screw.....
1520J	9555	Arm Shaft (horizontal) Bushing (back) Adjusting Screw Nut.....
*4449	----	Arm Shaft (horizontal) Bushing (front)..
59703	6976	" " " " Gear with two 1036C
1036C	6976	" " " " Set Screw.....
59704	6976	" " (upright).....
59705	6976	" " " Bushing (lower).....
446C	9555	" " " " Set Screw.....
59706	6976	Arm Shaft (upright) Bushing (upper)....
446C	9555	" " " " Set Screw.....
59707	6976	Arm Shaft (upright) Gear (lower) with two 1253C.....
1253C	6976	Arm Shaft (upright) Gear (lower) Set Screw.....
59708	6976	Arm Shaft (upright) Gear (upper) with two 1253C.....
1253C	6976	Arm Shaft (upright) Gear (upper) Set Screw.....
124674	9574	Arm Side Cover.....
190J	9555	" " " Screw.....
18498	7034	Belt Cover.....
59804	----	" " 18498 with 59795 and two 217J
59795	9574	" " Bracket with 184E and 59798..
184E	9555	" " " Screw Stud.....
59798	9080	" " " Stud.....
217J	9555	" " Screw.....
39222	9589	" Shifter.....
63976	9080	" " Clamp.....
1255J	6976	" " " Screw.....
124712	----	Brake.....
124713	9080	" 124712 with four 56493.....
124714	9080	" Adjusting Plate.....
124715	9080	" " " Handle.....
124716	----	" " " " 124715 with 124717.....
50435J	9581	Brake Adjusting Plate Handle Hinge Screw
124717	9080	" " " " Shaft.....
124718	9080	" " " " Crank with 1253C.....
1253C	6976	Brake Adjusting Plate Handle Shaft Crank Set Screw.....
51224J	9587	Brake Adjusting Plate Thumb Screw.....

No.	Plate	Name
124719	9080	Brake Adjusting Plate Thumb Screw Bush- ing.....
124720	9589	Brake Arm.....
1403D	9581	" " Hinge Screw.....
124902	9577	" " Releasing Lever.....
124901	----	" " " " 124902 with 124903 and two 792C.....
124903	9577	Brake Arm Releasing Lever Bracket.....
792C	9080	" " " " " Screw..
176J	7009	" " " " Screw.....
50446D	9581	" Hinge Screw.....
56493	9080	" Pad (leather).....
124846	9589	" Spring.....
39238	7038	Button Clamp (left) with 9311 and 17723.
39239	7038	" " (right) with 9311 and 17723
124732	7038	" " Arm with 17714 and 124780..
17710	9577	" " Hinge Plate.....
1176J	9555	" " " " " Screw.....
124780	9577	" " " Hook.....
1175E	9587	" " Hinge Screw.....
124906	9080	" " Lifter.....
190J	9555	" " " Screw.....
124711	9577	" " Locking Device Latch with two 1057J.....
1057J	9555	Button Clamp Locking Device Latch Clamp- ing Screw.....
124678	9589	Button Clamp Locking Device Latch Shaft.
124679	9577	" " " " " " "
124680	9553	Crank.....
1282C	9555	Button Clamp Locking Device Latch Shaft Crank Connection.....
1282C	9555	Button Clamp Locking Device Latch Shaft Crank Connection Hinge Screw (lower)
124823	9577	Button Clamp Locking Device Latch Shaft Crank Connection Hinge Screw (upper)
124733	9577	Button Clamp Locking Device Latch Shaft Crank Pin.....
124734	9577	Button Clamp Opening Lever.....
1182J	9567	" " " " Bracket.....
124735	9577	" " " " " Screw.
124736	9577	" " " " Contact Piece " " " "
50117J	9581	Arm.....
1484J	9581	Button Clamp Opening Lever Contact Piece Arm Screw.....
17718	9577	Button Clamp Opening Lever Contact Piece Screw.....
99R	9582	Button Clamp Opening Lever Contact Piece Screw Washer.....
		Button Clamp Opening Lever Hinge Screw..

No.	Plate	Name
39241	7039	Button Clamp Pressure Spring.....
17713	9553	" " " " Bracket....
1177D	9555	" " " " " Screw
17714	9553	" " " " Guide Block
1178D	9555	" " " " " Screw.....
20437	9553	" " " " " Washer
39242	7039	" " " " Spreader.....
124737	7039	" " " " Lever.....
124738	7039	" " " " " Adjusting Plate.....
1182J	9567	Button Clamp Spreader Lever Adjusting Plate Screw.....
17718	9577	Button Clamp Spreader Lever Adjusting Plate Screw Washer.....
124739	7039	Button Clamp Spreader Lever Stop.....
50237K	9581	" " " " " Position Screw.....
50237K	9581	Button Clamp Spreader Lever Stop Screw..
17718	9577	" " " " " " " Washer.....
1182J	9567	Button Clamp Spreader Screw.....
17719	7039	" " " " " Spring.....
1181J	7039	" " " " " Screw Stud.
17720	7039	" " " " " Steady Pin.....
39244	7038	" " " " " Spring (left).....
39245	7038	" " " " " (right).....
226J	9581	" " " " " Screw.....
9311	7038	" " " " " Steady Pin.....
39248	7039	" " " " " Stop with two 17720.....
1183J	9581	" " " " " Screw.....
17723	7039	" " " " " Stud.....
124740	----	Button Clamp complete, Nos. 99R, 1181J, 1183J, 17719, 39238, 39239, 39242, 39244, 39245, 39248, 124732 to 124734, 124737 to 124739, two each 226J, 1175E, 17718, 50237K and four 1182J.....
*62180	----	Cloth Plate with 62181.....
*62181	----	" " Button Tray.....
62102	7039	" " Guide Block (left).....
742F	9581	" " " " " " " Screw....
1547J	9558	" " " " " " " Nut.
62103	7039	" " " " " (right).....
3021	7039	" " " " " Rivet....
190J	9555	" " " " " Screw.....
62104	7039	" " " " " Stop.....
26770	7039	" " " " " Rivet.....
62182	7034	Cloth Plate complete, Nos. 742F, 1547J, 26770, 62102 to 62104, 62180 and two 3021.....
*124741	----	Cylinder with 124719.....

No.	Plate	Name
62189	9590	Cylinder Bottom Cover.....
124742	9591	" " End Cover.....
124743	----	" " " " 124742 with 1034J, 62111, 62113, 62185, 62189, 124744 and four 1477J.....
62185	9553	Cylinder End Cover Bracket.....
62111	9553	" " " " " Hinge Pin....
1477J	9555	" " " " " Screw.....
124744	9553	" " " " " Hinge.....
1477J	9555	" " " " " Screw.....
62113	9553	" " " " " Spring.....
1034J	9555	" " " " " Screw.....
124745	9553	" " " " " Oil Well Cover.....
236J	9555	" " " " " Screw.....
59711	9590	Face Plate.....
59712	----	Face Plate complete, Nos. 208J, 9544, 9545 59711 and two each 229J, 2107 and 9543.....
164J	9555	Face Plate Screw.....
2107	9553	" " Thread Guard.....
229J	9555	" " " " " Screw.....
9543	9553	" " " " " Nipper Disc.....
9544	9553	" " " " " " " Cover.....
208J	9555	" " " " " " " Screw.
9545	9553	" " " " " " " Spring.....
63940	9578	Feed Across Connection (lever end) with two 896E.....
63941	----	Feed Across Connection (lever end) 63940 with 55381.....
55381	9578	Feed Across Connection (lever end) Ball Stud.....
1185C	9581	Feed Across Connection (lever end) Ball Stud Set Screw.....
63942	9578	Feed Across Connection (regulator end) with two 896E.....
63943	----	Feed Across Connection (regulator end) 63942 with 63944.....
63944	9578	Feed Across Connection (regulator end) Ball Stud.....
62115	9578	Feed Across Connection Adjusting Stud...
1649C	9558	" " " " " " " Nut (left).....
1650C	9558	Feed Across Connection Adjusting Stud Nut (right).....
896E	9555	Feed Across Connection Cap Screw.....
59713	9589	" " " " " Lever with 1185C and 50150C.
59714	----	Feed Across Lever complete, Nos. 59713, 59715 and 59721.....
59715	6983	Feed Across Lever Extension with 1952 and 51814.....

No.	Plate	Name
59716	6983	Feed Across Lever Extension Disengaging Eccentric.....
59717	6983	Feed Across Lever Extension Disengaging Eccentric Connection.....
999D	6983	Feed Across Lever Extension Disengaging Eccentric Connection Hinge Screw....
59718	6983	Feed Across Lever Extension Disengaging Eccentric Connection Spring.....
193D	9562	Feed Across Lever Extension Disengaging Eccentric Connection Spring Screw...
238D	6983	Feed Across Lever Extension Disengaging Eccentric Connection Stop Screw.....
2273	9560	Feed Across Lever Extension Disengaging Eccentric Pin.....
59719	6983	Feed Across Lever Extension Disengaging Eccentric Shaft.....
59720	6983	Feed Across Lever Extension Disengaging Handle.....
2273	9560	Feed Across Lever Extension Disengaging Handle Pin.....
51814	6983	Feed Across Lever Extension Guiding Roller and Screw Stud.....
59721	6983	Feed Across Lever Extension Hinge Pin...
50150C	9562	" " " " " " " Set Screw.....
59722	9589	Feed Across Lever Extension Position Arm
59800	----	" " " " " " " " 59722 with 2022 and 59724.....
2022	6983	Feed Across Lever Extension Position Arm Pin.....
59723	6983	Feed Across Lever Extension Position Arm Support.....
1404D	6983	Feed Across Lever Extension Position Arm Support Screw.....
9525	6983	Feed Across Lever Extension Position Arm Support Screw Washer.....
1952	6983	Feed Across Lever Extension Roller and Stud.....
430C	9581	Feed Across Lever Extension Stop Screw..
1520E	9555	" " " " " " " " Nut
59724	9578	" " " " Hinge Stud.....
160J	9558	" " " " " " Clamping Screw.....
62118	9580	Feed Across Lever Plate with 17741.....
62119	6985	" " " " Cover.....
1094F	9555	" " " " Screw.....
55300	6985	" " " " Steady Pin.....
124865	9590	" " Regulator.....
124866	----	" " " 124865 with 1188D, 1655E, 14017 and 50324C.....

No.	Plate	Name
50599D	9555	Feed Across Regulator Adjusting Screw Stud.....
1676C	9558	Feed Across Regulator Adjusting Screw Stud Nut.....
46244	9577	Feed Across Regulator Adjusting Screw Stud Nut Washer (fibre).....
17738	9577	Feed Across Regulator Adjusting Screw Stud Nut Washer (steel).....
1188D	9555	Feed Across Regulator Hinge Screw.....
62121	6985	" " " " Link.....
50324C	9558	" " " " " Screw Stud....
1655E	9558	" " " " " " " Nut.
14017	6985	" " " " " " " " Washer.....
17741	6985	Feed Across Regulator Link Stud.....
136542	9593	" Cam with two each 190J, 1192C, 17874, 124929, 124930 and eight 335J.....
136503	9592	Feed Cam Driving Worm with 1441C and 1442C.....
1442C	9558	Feed Cam Driving Worm Position Screw....
1441C	9558	" " " " " Set Screw.....
136504	9592	" " " " " Wheel with 453C...
18384	9578	" " " " " Pin.....
453C	9558	" " " " " Set Screw...
18384	9578	" " Pin.....
1192C	9558	" " Set Screw.....
59728	9592	" " Shaft.....
136539	----	" " " 59728 with 1653C and 136504.....
1653C	9558	Feed Cam Shaft Nut.....
62297	9579	" Plate, for four-hole buttons.....
124683	9579	" " " two-hole flat bottom buttons.....
*18445	----	Feed Plate Carrier Bar.....
62123	----	" " " " 18445 with 934J, 1094F, 1195E, 8505, 17743, 18368, 62118, 62119, two 55300 and four 17803.....
59730	9577	Feed Plate Carrier Bar Pivot Block.....
50306D	9558	" " " " " " Screw
18368	9578	" " " " " Plate.....
934J	9558	" " " " " Screw.....
1654C	9558	" " Nut.....
17808	9578	" " Position Stud.....
1195E	9558	" " Screw Stud.....
8505	9578	" " " " Rivet.....
17742	9589	" Regulator with 1953.....
62117	9590	" " Bracket with 17732 and three 160J.....
*17732	----	Feed Regulator Bracket Cap.....
160J	9558	" " " " Screw.....

No.	Plate	Name
8589	9578	Feed Regulator Bracket Dowel Pin.....
1177D	9555	" " " Screw.....
17744	9578	" " Hinge Stud.....
17743	9580	" " Post.....
1953	9580	" " Roller and Screw Stud with 1655C and 14017.....
1655C	9558	Feed Regulator Roller and Screw Stud Nut
14017	6985	" " " " " " " Washer.....
1190C	9558	Feed Regulator Stop Screw.....
17745	9580	" " Swivel.....
1191D	9558	" " Thumb Screw.....
124907	9580	Knife.....
665J	9558	" Screw.....
124849	9580	Loop Guard.....
208J	9555	" " Screw.....
124928	9580	Looper.....
124885	9580	" Collar with 50274C.....
124761	9580	" Driving Shaft.....
124762	9580	" " " Bushing.....
52045	9582	" " " " Packing (cot- ton).....
1148C	9558	Looper Driving Shaft Bushing Set Screw..
59707	6976	" " " Gear with two 1253C
59747	9590	" " " " Cover.....
190J	9555	" " " " " Screw...
1253C	6976	" " " " Set Screw....
50274C	9558	" Set Screw.....
124763	9592	" Shaft.....
124764	9582	" " Bushing.....
50189C	9558	" " " Set Screw.....
124765	9582	" " Coupling with four 50150C..
50150C	9562	" " " Set Screw.....
62299	9592	Needle Bar with 1072F.....
39203	9560	" " Connecting Link.....
62283	----	" " " " 39203 with 377C, 1518J and 2052.....
377C	9558	Needle Bar Connecting Link Hinge Screw..
1518J	9558	" " " " " Nut
2052	9560	" " " Stud with 155C....
155C	9562	" " " Set Screw....
62235	9592	" " Crank Wheel with 446C and 1293C.....
1293C	9562	Needle Bar Crank Wheel Position Screw...
446C	9555	" " " Set Screw.....
124794	9560	" " Thread Retainer.....
124795	----	Needle Bar Thread Retainer complete, Nos. 1449H, 124794, 124796 and 124821.....
124796	9560	Needle Bar Thread Retainer Bracket with 853C and two 42639.....

No.	Plate	Name
853C	9562	Needle Bar Thread Retainer Bracket Set Screw.....
42639	9560	Needle Bar Thread Retainer Position Pin.
1449H	9562	" " " " Screw.....
124821	9560	" " " " Spring.....
124766	9560	" Guard.....
124601	9560	" " Cam with two 465C.....
465C	9562	" " " Set Screw.....
2273	9560	" " Pin.....
124767	9592	" " Shaft.....
124792	----	" " " 124767 with 2273 and 124766.....
59761	9560	Needle Guard Shaft Collar with two 465C.
465C	9562	" " " " Set Screw....
124602	9560	" " " Crank with 124974 and two 1253C.....
51857	9560	Needle Guard Shaft Crank Roller.....
124974	----	Needle Guard Shaft Crank Roller complete Nos. 51857, 124698 and 124699.....
124698	9560	Needle Guard Shaft Crank Roller Bushing.
124699	9560	" " " " " Stud
1253C	6976	" " " " Set Screw.....
59765	9560	" " " Spring.....
59766	9560	" " " " Collar with 624C.....
624C	9562	Needle Guard Shaft Spring Collar Set Screw.....
233J	9562	Needle Guard Shaft Spring Screw.....
124768	9560	" " Spreader.....
233J	9562	" " " Screw.....
1072F	9562	" Set Screw.....
2058	9592	Presser Bar.....
124838	9591	" " Collar and Thread Pull-off Bracket with two 196C.....
196C	9562	Presser Bar Collar Set Screw.....
17842	9582	" " Guide Bracket with 453C....
453C	9558	" " " " Set Screw....
124790	7034	" " Lifting Lever.....
124839	9590	" " " " Bracket.....
164E	9555	" " " " " Screw..
1201D	9562	" " " " Hinge Screw...
17845	9591	" " " " Rod.....
39408	----	" " " " " 17845 with 17846.....
17846	----	Presser Bar Lifting Lever Rod Chain....
32675	9583	" " Spring.....
68712	20337	Pulley (loose) 2 3/4 in. diam. with 200584D.....
68713	----	Pulley (loose) 68712 with 68714.....
68714	20337	" " " Ball Bearing.....

No.	Plate	Name
68715	9583	Pulley (loose) Bushing.....
51387R	9562	" " Cap Screw.....
200584D	9562	" " Oil Hole Plug Screw.....
68716	20337	" (tight) 2 7/8 in. diam.....
68720	----	" " 68716 with 1206C and 17854.....
68717	----	Pulleys (ball bearing) complete, Nos. 51387R, 68713, 68715 and 68720.....
17853	9583	Starting Lever.....
1262C	9562	" " Hinge Screw.....
1662C	9562	" " " " Nut.....
17854	9583	Stop Cam.....
17855	9583	" " Interlocking Rod.....
124784	9591	" " " " Case.....
124770	----	" " " " " 124784 with 124774, 124901 and two 176J....
124904	----	Stop Cam Interlocking Rod Case 124770 with 63976 and two 1255J.....
124771	----	Stop Cam Interlocking Rod Case 124904 with 1318D, 17855, 17863, 17864 and 39222.....
124772	9593	Stop Cam Interlocking Rod Case Bracket
124773	----	Stop Cam Interlocking Rod Case Bracket complete, Nos. 1182E, 1196C, 1204E, 1254C, 1262C, 1508J, 1662C, 17853, 17859, 17861, 17862, 17872, 17873, 124771, 124772 and two 898D.....
21828	6976	Stop Cam Interlocking Rod Case Bracket Dowel Pin.....
50372D	9562	Stop Cam Interlocking Rod Case Bracket Screw.....
1204E	9562	Stop Cam Interlocking Rod Case Hinge Screw.....
17859	9583	Stop Cam Interlocking Rod Case Socket Joint.....
898D	9562	Stop Cam Interlocking Rod Case Socket Joint Cap Screw.....
11622	9583	Stop Cam Interlocking Rod Case Spring...
19694	9563	" " " " " " Hook
1695E	9562	" " " " " " " Lock Nut.....
17861	9563	Stop Cam Interlocking Rod Case Stop Stud
1254C	9562	" " " " " " " " Screw Bushing.....
1508J	9562	Stop Cam Interlocking Rod Case Stop Stud Screw Bushing Lock Nut.....
17862	9563	Stop Cam Interlocking Rod Case Stop Stud Spring.....
124774	9563	Stop Cam Interlocking Rod Case Wearing Block.....

No.	Plate	Name
17863	9583	Stop Cam Interlocking Rod Spring.....
17864	9563	" " " " " Stop.....
1318D	9562	" " " " " Screw....
3012	9584	" " Pin.....
1206C	9562	" " Screw.....
2102	9563	Tension Disc.....
1560C	9562	" Regulating Thumb Nut.....
1274C	9567	" Screw Stud.....
62506	----	" " " 1274C with 1560C....
13710	9563	" Spring.....
124840	9584	" Thread Guide.....
50370J	9562	" " " Set Screw.....
124850	9584	Thread Breaker.....
62124	7034	" " Bar with 62130 and two 3021.....
124933	9584	Thread Breaker Bar Check.....
124934	9584	" " " " " Plunger.....
124935	9584	" " " " " Case....
1186D	9558	" " " " " " Screw
1722J	9558	" " " " " " Lock Nut
1722J	9558	" " " " " " Nut.....
124938	9583	" " " " " " Spring..
51120J	9558	" " " " " " Regulating Screw
51591J	9558	" " " " " " " Lock Nut.....
50152J	9558	Thread Breaker Bar Check Screw.....
124936	----	Thread Breaker Bar Check complete, Nos. 51120J, 51591J, 124933 to 124935, 124938 and two 1722J.....
62126	9583	Thread Breaker Bar Connection with 17917
17915	9584	" " " " " Slide Block
17917	----	" " " " " " " " 17915 with 17916.....
17916	9584	Thread Breaker Bar Connection Slide Block Stud.....
59734	9591	Thread Breaker Bar Driving Lever with 223F and 59735.....
1382F	9558	Thread Breaker Bar Driving Lever Hinge Screw.....
1681C	9558	Thread Breaker Bar Driving Lever Hinge Screw Nut.....
59735	9584	Thread Breaker Bar Driving Lever Lock Stud.....
223F	9558	Thread Breaker Bar Driving Lever Lock Stud Screw.....
124787	9584	Thread Breaker Bar Guide.....
1235F	9558	" " " " " Screw.....
124908	9584	" " " " " Holder with 59739.....
62129	9584	" " " " " Cap with 59739....
50018F	9567	" " " " " Screw.....

No.	Plate	Name
1547J	9558	Thread Breaker Holder Cap Screw Nut.....
59739	9584	" " " " Stud.....
62130	9585	" " " " Connection.....
3021	7039	" " " " Rivet..
59739	9584	" " " " Stud.....
236F	9555	" " " " Screw.....
124609	9563	" " " " Controller Sleeve.....
124607	9563	" " " " Spring.....
124608	9563	" " " " Collar with 1477F.....
1477F	9555	Thread Controller Spring Collar Set Screw.....
124610	9563	Thread Controller Stud with 56549 and 124631.....
124631	9563	Thread Controller Stud Collar.....
56549	9563	" " " " Pin.....
457C	9562	" " " " Set Screw.....
124611	----	Thread Controller complete, Nos. 124607 to 124610.....
*124612	----	Thread Nipper (lower) Blade.....
*124613	----	" " " " Carrier with 124619.....
124614	9563	Thread Nipper (lower) Blade Carrier 124613 with 124612 and two 6037....
665J	9558	Thread Nipper (lower) Blade Carrier Cap Screw.....
124615	9584	Thread Nipper (lower) Blade Carrier Hinge Stud.....
6037	9584	Thread Nipper (lower) Blade Rivet.....
124929	9591	" " " " Cam.....
335J	9562	" " " " Screw.....
124653	9591	" " " " Connection.....
124618	9585	" " " " Extension
99K	9562	" " " " " "
		Hinge Screw.....
206J	9562	Thread Nipper (lower) Connection Exten- sion Screw.....
124619	9585	Thread Nipper (lower) Connection Hinge Stud.....
124620	9591	Thread Nipper (lower) Driving Arm.....
8554	9585	" " " " " Pin...
124321	9585	" " " " Lever with 237K...
124930	9591	" " " " Guide.....
335J	9562	" " " " " Screw..
8554	9585	" " " " " Pin.....
237K	9567	" " " " " Set Screw...
124623	9585	" " " " " Shaft.....
124957	9589	" " " " " Bracket
51188J	9567	" " " " " "
		Screw.....

No.	Plate	Name
17738	9577	Thread Nipper (lower) Lever Shaft Brack- et Screw Washer.....
1743D	9567	Thread Nipper (upper) Adjusting Thumb Nut.....
59773	9585	Thread Nipper (upper) Body.....
447C	9567	" " " " " Set Screw....
59774	9585	" " " " Cam with two 50150C
50150C	9562	" " " " " Set Screw.....
175160	9585	" " " " Disc.....
12162	9585	" " " " " Guide Pin.....
62169	9585	" " " " " Spring.....
59775	9585	" " " " " Eyelet.....
1527D	9587	" " " " " Lock Nut.....
59776	9585	" " " " " Stud with 13538....
13538	9585	" " " " " Position Pin...
13539	9585	" " " " " Roller.....
13540	9585	" " " " " " Pin.....
2026	9585	" " " " " Spring.....
59777	----	Thread Nipper (upper) Stud complete, Nos. 13539, 13540 and 59776.....
136554	----	Thread Nipper (upper) complete, Nos. 1527D 1743D, 2026, 59773, 59775, 59777, 62169 and two 175160.....
124843	----	Thread Pull-off (double).....
202J	9581	" " " " " Screw.....
7071	9588	" " " " " Washer.....
124625	----	" " " " " Take-up Body with 62172.....
42808	9588	" " " " " Roller.....
62171	9588	" " " " " Cap.....
337J	9567	" " " " " " Screw.....
62172	9588	" " " " " Pin.....
124626	9588	Thread Take-up complete, Nos. 337J, 42808, 62171 and 124625.....
691F	9581	Thread Take-up Screw.....
7335	9588	" " " " " Spring.....
32576	9588	" " " " " Regulator.....
453C	9558	" " " " " " Set Screw
124844	9586	" " " " " Thread Guide.....
50370J	9562	" " " " " " " Set Screw.....
39452	9588	Thread Wiper Body.....
39453	9588	" " " " " Finger.....
330J	9581	" " " " " " Screw.....
1207D	9581	" " " " " Hinge Screw.....
124777	9588	" " " " " Support.....
136556	----	" " " " " " 124777 with 1207D, 1302D, 39452, 39455 and 39456...
641C	9555	Thread Wiper Body Support Set Screw....
39455	9588	" " " " " Wire.....
39456	9588	" " " " " " Clamp.....

No.	Plate	Name
1302D	9581	Thread Wiper Body Wire Clamp Screw.....
136547	9588	Throat Plate with 124615.....
124981	9586	" " Needle Guard.....
206J	9562	" " " " Screw.....
136555	----	Throat Plate complete, Nos. 665J, 1547J, 50018F, 62129, 124850, 124907, 124908, 124981, 136547 and two each 206J and 236F.....
691F	9581	Throat Plate Screw.....
17872	9588	Trip Lever.....
1196C	9567	" " *Hinge Screw.....
17873	9586	" " Spring.....
1182E	9567	" " " Screw.....
17874	9588	Tripping Point.....
190J	9555	" " Screw.....
*15404	----	Trade Mark.....
15405	----	" " Rivet.....

SINGER Needles should be used
in SINGER Machines
These Needles and their Containers
are marked with the
Company's Trade Mark "SIMANCO."** 1

Needles in Containers marked
"FOR SINGER MACHINES"
are NOT SINGER made needles. 2

LIST OF PARTS COMPLETE FOR MACHINE No. 114-38

For Sewing Buttons on Shirts, Waists, Underwear, White Goods, Clothing, etc. Makes cross stitches in four-hole buttons and can be adjusted for two-hole and bar buttons. Makes sixteen stitches, including the fastening stitch. The work holding clamp vibrates across the cylinder. The universal clamp furnished with this machine will accommodate buttons from 10 to 50 lignes, and the movement of the clamp can be adjusted from 5/64 inch to 3/16 inch. The machine is fitted with improved thread controlling mechanism and thread nipping device to hold the end of the thread until the first stitch is made. Improved loop controlling mechanism, stop motion and mechanism to break instead of cutting the thread at the completion of the operation.
Speed 1500 R. P. M.

No.	Plate	Name
*124845	----	Arm.....
*62295	----	" 124845 with 4449, 15404, 124793 and two each 164E and 15405.....
16532	6976	Arm Dowel Pin.....
4448	6976	" Oil Tube, for intermediate bearing.
56015	6976	" " " " oiling 59705 and 59706
880E	9555	" Screw.....
59702	7034	" Shaft (horizontal).....
*136541	----	" " " 59702 with 59774, 62235 and 68717.....
17703	9553	Arm Shaft (horizontal) Bushing (back)..
50333C	9555	" " " " " Ad-justing Screw.....
1520J	9555	Arm Shaft (horizontal) Bushing (back) Adjusting Screw Nut.....
*4449	----	Arm Shaft (horizontal) Bushing (front).
59703	6976	" " " Gear with two 1036C.....
1036C	6976	Arm Shaft (horizontal) Gear Set Screw..
59704	6976	" " (upright).....
59705	6976	" " " Bushing (lower)....
446C	9555	" " " " " Set Screw.....

No.	Plate	Name
59706	6976	Arm Shaft (upright) Bushing (upper).....
446C	9555	" " " " " Set Screw.....
59707	6976	Arm Shaft (upright) Gear (lower) with two 1253C.....
1253C	6976	Arm Shaft (upright) Gear (lower) Set Screw.....
59708	6976	Arm Shaft (upright) Gear (upper) with two 1253C.....
1253C	6976	Arm Shaft (upright) Gear (upper) Set Screw.....
124674	9574	Arm Side Cover.....
190J	9555	" " " Screw.....
18498	7034	Belt Cover.....
59804	----	" " 18498 with 59795 and two 217J
59795	9574	" " Bracket with 184E and 59796..
184E	9555	" " " Screw Stud.....
59796	9080	" " " Stud.....
217J	9555	" " " Screw.....
39222	9589	" Shifter.....
63978	9080	" " Clamp.....
1255J	6976	" " " Screw.....
124712	----	Brake.....
124713	9080	" 124712 with four 56493.....
124714	9080	" Adjusting Plate.....
124715	9080	" " " Handle.....
124716	----	" " " " 124715 with 124717.....
50435J	9581	Brake Adjusting Plate Handle Hinge Screw
124717	9080	" " " " Shaft.....
124718	9080	" " " " " Crank with 1253C.....
1253C	6976	Brake Adjusting Plate Handle Shaft Crank Set Screw.....
51224J	9567	Brake Adjusting Plate Thumb Screw.....
124719	9080	" " " " " Bushing
124720	9589	" Arm.....
1403D	9581	" " Hinge Screw.....
124902	9577	" " Releasing Lever.....
124901	----	" " " " 124902 with 124903 and two 792C.....
124903	9577	Brake Arm Releasing Lever Bracket.....
792C	9080	" " " " " Screw..
176J	7009	" " " " " Screw.....
50446D	9581	" Hinge Screw.....
56493	9080	" Pad (leather).....
124846	9589	" Spring.....
39238	7038	Button Clamp (left) with 9311 and 17723.
39239	7038	" " (right) with 9311 and 17723
124732	7038	" " Arm with 17714 and 124780..

No.	Plate	Name
17710	9577	Button Clamp Arm Hinge Plate.....
1176J	9555	" " " " " Screw.....
124780	9577	" " " Hook.....
1175E	9567	" " Hinge Screw.....
124906	9080	" " Lifter.....
190J	9555	" " " Screw.....
124711	9577	" " Locking Device Latch with two 1057J.....
1057J	9555	Button Clamp Locking Device Latch Clamp- ing Screw.....
124678	9589	Button Clamp Locking Device Latch Shaft.
124679	9577	" " " " " " " Crank.....
124680	9553	Button Clamp Locking Device Latch Shaft Crank Connection.....
1282C	9555	Button Clamp Locking Device Latch Shaft Crank Connection Hinge Screw (lower)
1282C	9555	Button Clamp Locking Device Latch Shaft Crank Connection Hinge Screw (upper)
124823	9577	Button Clamp Locking Device Latch Shaft Crank Pin.....
124733	9577	Button Clamp Opening Lever.....
124734	9577	" " " " Bracket.....
1182J	9567	" " " " " Screw..
124735	9577	" " " " Contact Piece.
124736	9577	" " " " " " Arm.....
50117J	9581	Button Clamp Opening Lever Contact Piece Arm Screw.....
1484J	9581	Button Clamp Opening Lever Contact Piece Screw.....
1771B	9577	Button Clamp Opening Lever Contact Piece Screw Washer.....
99R	9562	Button Clamp Opening Lever Hinge Screw..
39241	7039	" " Pressure Spring.....
17713	9553	" " " " Bracket....
1177D	9555	" " " " " Screw
17714	9553	" " " " Guide Block
1178D	9555	" " " " Screw.....
20437	9553	" " " " " Washer.
39242	7039	" " Spreader.....
124737	7039	" " " Lever.....
124738	7039	" " " " Adjusting Plate.....
1182J	9567	Button Clamp Spreader Lever Adjusting Plate Screw.....
17718	9577	Button Clamp Spreader Lever Adjusting Plate Screw Washer.....
124739	7139	Button Clamp Spreader Lever Stop.....
50237K	9581	" " " " " Position Screw.....

No.	Plate	Name
50237K	9581	Button Clamp Spreader Lever Stop Screw..
17718	9577	" " " " " " " "
		Washer.....
1182J	9567	Button Clamp Spreader Screw.....
17719	7039	" " " Spring.....
1181J	7039	" " " Screw Stud..
17720	7039	" " " Steady Pin.....
39244	7038	" " Spring (left).....
39245	7038	" " (right).....
226J	9581	" " " Screw.....
9311	7038	" " " Steady Pin.....
39248	7039	" " Stop with two 17720.....
1183J	9581	" " " Screw.....
17723	7039	" " Stud.....
124740	----	Button Clamp complete, Nos. 99R, 1181J, 1183J, 17719, 39238, 39239, 39242, 39244, 39245, 39248, 124732 to 124734, 124737 to 124739, two each 226J, 1175E, 17718, 50237K and four 1182J.....
*62180	----	Cloth Plate with 62181.....
*62181	----	" " Button Tray.....
62102	7039	" " Guide Block (left).....
742F	9581	" " " " " Screw....
1547J	9558	" " " " " Nut..
62103	7039	" " " " (right).....
3021	7039	" " " Rivet....
190J	9555	" " Screw.....
62104	7039	" " Stop.....
26770	7039	" " Rivet.....
62182	7034	Cloth Plate complete, Nos. 742F, 1547J, 26770, 62102 to 62104, 62180 and two 3021.....
*124741	----	Cylinder with 124719.....
62189	9590	" Bottom Cover.....
124742	9591	" End Cover.....
124743	----	" " " 124742 with 1034J, 62111, 62113, 62185, 62189, 124744 and four 1477J.....
62185	9553	Cylinder End Cover Bracket.....
62111	9553	" " " Hinge Pin....
1477J	9555	" " " Screw.....
124744	9553	" " " Hinge.....
1477J	9555	" " " Screw.....
62113	9553	" " " Spring.....
1034J	9555	" " " Screw.....
124745	9553	" Oil Well Cover.....
236J	9555	" " " Screw.....
59711	9590	Face Plate.....
59712	----	Face Plate complete, Nos. 208J, 9544, 9545 59711 and two each 229J, 2107 and 9543.....

No.	Plate	Name
164J	9555	Face Plate Screw.....
2107	9553	" " Thread Guard.....
229J	9555	" " " Screw.....
9543	9553	" " " Nipper Disc.....
9544	9553	" " " " Cover.....
208J	9555	" " " " " Screw.
9545	9553	" " " " " Spring.....
63940	9578	Feed Across Connection (lever end) with two 896E.....
63941	----	Feed Across Connection (lever end) 63940 with 55381.....
55381	9578	Feed Across Connection (lever end) Ball Stud.....
641C	9555	Feed Across Connection (lever end) Ball Stud Set Screw.....
63942	9578	Feed Across Connection (regulator end) with two 896E.....
63943	----	Feed Across Connection (regulator end) 63942 with 63944.....
63944	9578	Feed Across Connection (regulator end) Ball Stud.....
62115	9578	Feed Across Connection Adjusting Stud...
1649C	9558	" " " " " Nut (left).....
1650C	9558	Feed Across Connection Adjusting Stud Nut (right).....
896E	9555	Feed Across Connection Cap Screw.....
62147	9589	" " Lever with 641C and 1952....
124676	----	" " " 62147 with 17737.....
17737	9578	" " " Hinge Stud.....
160J	9558	" " " " " Clamping Screw.....
62118	9580	Feed Across Lever Plate with 17741.....
62119	6985	" " " " Cover.....
1094F	9555	" " " " Screw.....
55300	6985	" " " " Steady Pin.....
1952	6983	" " " Roller and Stud.....
124865	9530	" " Regulator.....
124866	----	" " " 124865 with 1188D, 1655E, 14017 and 50324C.....
50599D	9555	Feed Across Regulator Adjusting Screw Stud.....
1676C	9558	Feed Across Regulator Adjusting Screw Stud Nut.....
46244	9577	Feed Across Regulator Adjusting Screw Stud Nut Washer (fibre).....
17738	9577	Feed Across Regulator Adjusting Screw Stud Nut Washer (steel).....
1188D	9555	Feed Across Regulator Hinge Screw.....
62121	6985	" " " Link.....

No.	Plate	Name
50324C	9558	Feed Across Regulator Link Screw Stud..
1655E	9558	" " " " " " " Nut
14017	6985	" " " " " " " Washer.....
17741	6985	Feed Across Regulator Link Stud.....
136543	9593	" Cam with two each 190J,1192C,17874, 124929,124930 and eight 335J.....
136503	9592	Feed Cam Driving Worm with 1441C and 1442C.....
1442C	9558	Feed Cam Driving Worm Position Screw....
1441C	9558	" " " " Set Screw.....
136504	9592	" " " " Wheel with 453C...
18384	9578	" " " " Pin.....
453C	9558	" " " " Set Screw...
18384	9578	" " Pin.....
1192C	9558	" " Set Screw.....
62155	9592	" " Shaft.....
136505	----	" " " 62155 with 1653C and 136504.....
1653C	9558	Feed Cam Shaft Nut.....
62297	9579	" Plate, for four-hole buttons.....
124747	9579	" " " two-hole buttons.....
*18445	9592	" " Carrier Bar.....
62123	----	" " " 18445 with 934J, 1094F,1195E,8505,17743,18368,62118, 62119,two 55300 and four 17806.....
59730	9577	Feed Plate Carrier Bar Pivot Block.....
50306D	9558	" " " " " Screw.
18368	9578	" " " " Plate.....
934J	9558	" " " " Screw.....
1654C	9558	" " Nut.....
17806	9578	" " Position Stud.....
1195E	9558	" " Screw Stud.....
8505	9578	" " " Rivet.....
17742	9589	" Regulator with 1953.....
62117	9590	" " Bracket with 17732 and three 180J.....
*17732	----	Feed Regulator Bracket Cap.....
180J	9558	" " " " Screw.....
8589	9578	" " " Dowel Pin.....
1177D	9555	" " " Screw.....
17744	9578	" " Hinge Stud.....
17743	9580	" " Post.....
1953	9580	" " Roller and Screw Stud with 1655C and 14017.....
1855C	9558	Feed Regulator Roller and Screw Stud Nut
14017	6985	" " " " " " " Washer.....
1190C	9558	Feed Regulator Stop Screw.....
17745	9580	" " Swivel.....

No.	Plate	Name
1191D	9558	Feed Regulator Thumb Screw.....
124907	9580	Knife.....
665J	9558	" Screw.....
136545	9580	Loop Finger.....
136546	9580	" " Cam with 50274C.....
124824	9580	" " Carrier.....
124797	----	" " " 124824 with 124753...
124752	9580	" " " Crank with 208J and 124755.....
208J	9555	Loop Finger Carrier Crank Clamping Screw
124753	9582	" " " Holder.....
208J	9555	" " " " Screw.....
124754	9582	" " " Pitman with two 124756 and four 218J.....
124791	----	Loop Finger Carrier Pitman 124754 with 124752 and 124757.....
124755	9582	Loop Finger Carrier Pitman Ball Stud....
*124756	----	" " " " Cap.....
218J	9581	" " " " " Screw....
124757	9582	" " Driver with 51868 and 124755
124798	9582	" " " Cam with two 50150C..
50150C	9562	" " " " Set Screw.....
50183D	9581	" " " Hinge Screw.....
51868	9582	" " " Roller and Stud.....
124759	9582	" " Rocking Frame.....
229J	9555	" " Screw.....
136544	9582	Looper with 34418 and 136550.....
124761	9580	" Driving Shaft.....
124762	9580	" " Bushing.....
52045	9582	" " " Packing (cot- ton).....
1148C	9558	Looper Driving Shaft Bushing Set Screw..
59707	6976	" " " Gear with two 1253C
59747	9590	" " " " Cover.....
190J	9555	" " " " " Screw....
1253C	6976	" " " " Set Screw....
50274C	9558	" Set Screw.....
124763	9592	" Shaft.....
124764	9582	" " Bushing.....
50189C	9558	" " " Set Screw.....
124765	9582	" " Coupling with four 50150C..
50150C	9562	" " " Set Screw.....
136550	9582	" Thread Retaining Pin.....
34418	9582	" Washer.....
62299	9592	Needle Bar with 1072F.....
39203	9560	" " Connecting Link.....
62283	----	" " " 39203 with 377C,1518J and 2052.....
377C	9558	Needle Bar Connecting Link Hinge Screw..
1518J	9558	" " " " " Nut

No.	Plate	Name
2052	9560	Needle Bar Connecting Stud with 155C....
155C	9562	" " " " Set Screw....
62235	9592	" " Crank Wheel with 446C and 1293C.....
1293C	9562	Needle Bar Crank Wheel Position Screw...
446C	9555	" " " " Set Screw.....
124794	9560	" " Thread Retainer.....
124795	----	Needle Bar Thread Retainer complete, Nos. 1449H, 124794, 124796 and 124821.....
124796	9560	Needle Bar Thread Retainer Bracket with 853C and two 42639.....
853C	9562	Needle Bar Thread Retainer Bracket Set Screw.....
42639	9560	Needle Bar Thread Retainer Position Pin.
1449H	9562	" " " " Spring.....
124821	9560	" " " " Spring.....
124979	9582	" Guard.....
124980	9582	" " Cam with two 465C.....
465C	9562	" " " Set Screw.....
2273	9560	" " Pin.....
124767	9592	" " Shaft.....
124983	----	" " " 124767 with 2273 and 124979.....
59761	9560	Needle Guard Shaft Collar with two 465C.
465C	9561	" " " " Set Screw.....
124602	9560	" " " Crank with 124974 and two 1253C.....
51857	9560	Needle Guard Shaft Crank Roller.....
124974	----	Needle Guard Shaft Crank Roller complete Nos. 51857, 124698 and 124699.....
124698	9560	Needle Guard Shaft Crank Roller Bushing.
124699	9560	" " " " " " Stud.....
1253C	6976	Needle Guard Shaft Crank Set Screw.....
59765	9560	" " " Spring.....
59766	9560	" " " " Collar with 624C.....
624C	9562	Needle Guard Shaft Spring Collar Set Screw.....
233J	9562	Needle Guard Shaft Spring Screw.....
124768	9560	" " Spreader.....
233J	9562	" " " Screw.....
1072F	9562	" Set Screw.....
2058	9592	Presser Bar.....
124769	9591	" " Collar and Thread Pull-off Bracket with two 196C.....
196C	9562	Presser Bar Collar Set Screw.....
17842	9582	" " Guide Bracket with 453C.....
453C	9558	" " " " Set Screw.....
124790	7034	" " Lifting Lever.....

No.	Plate	Name
124793	9590	Presser Bar Lifting Lever Bracket.....
164E	9555	" " " " " Screw..
1201D	9562	" " " " Hinge Screw...
17845	9591	" " " " Rod.....
39406	----	" " " " " 17845 with 17846.....
17846	----	Presser Bar Lifting Lever Rod Chain....
32675	9583	" " Spring.....
68712	20337	Pulley (loose) 2 3/4 in. diam. with 200584D.....
68713	----	Pulley (loose) 68712 with 68714.....
68714	20337	" " Ball Bearing.....
68715	9583	" " Bushing.....
51387R	9562	" " Cap Screw.....
200584D	9562	" " Oil Hole Plug Screw.....
68716	20337	" (tight) 2 7/8 in. diam.....
68720	----	" " 68716 with 1206C and 17854.....
68717	----	Pulleys (ball bearing) complete, Nos. 51387R, 68713, 68715 and 68720.....
17853	9583	Starting Lever.....
1262C	9562	" " Hinge Screw.....
1662C	9562	" " " " Nut.....
17854	9583	Stop Cam.....
17855	9583	" " Interlocking Rod.....
124784	9591	" " " " Case.....
124770	----	" " " " " 124784 with 124774, 124901 and two 176J.....
124904	----	Stop Cam Interlocking Rod Case 124770 with 63976 and two 1255J.....
124771	----	Stop Cam Interlocking Rod Case 124904 with 1318D, 17855, 17863, 17864 and 39222.....
124772	9593	Stop Cam Interlocking Rod Case Bracket..
124773	----	Stop Cam Interlocking Rod Case Bracket complete, Nos. 1182E, 1196C, 1204E, 1254C 1262C, 1508J, 1662C, 17853, 17859, 17861, 17862, 17872, 17873, 124771, 124772 and two 898D.....
21828	6976	Stop Cam Interlocking Rod Case Bracket Dowel Pin.....
50372D	9562	Stop Cam Interlocking Rod Case Bracket Screw.....
1204E	9562	Stop Cam Interlocking Rod Case Hinge Screw.....
17859	9583	Stop Cam Interlocking Rod Case Socket Joint.....
898D	9562	Stop Cam Interlocking Rod Case Socket Joint Cap Screw.....
11622	9583	Stop Cam Interlocking Rod Case Spring...

No.	Plate	Name
19694	9563	Stop Cam Interlocking Rod Case Spring Hook.....
1695E	9562	Stop Cam Interlocking Rod Case Spring Hook Lock Nut.....
17861	9563	Stop Cam Interlocking Rod Case Stop Stud
1254C	9562	" " " " " " " "
		Screw Bushing.....
1508J	9562	Stop Cam Interlocking Rod Case Stop Stud Screw Bushing Lock Nut.....
17862	9563	Stop Cam Interlocking Rod Case Stop Stud Spring.....
124774	9563	Stop Cam Interlocking Rod Case Wearing Block.....
17863	9563	Stop Cam Interlocking Rod Spring.....
17864	9563	" " " " Stop.....
1318D	9562	" " " " " Screw.....
3012	9584	" " Pin.....
1206C	9562	" " Screw.....
2102	9563	Tension Disc.....
1560C	9562	" Regulating Thumb Nut.....
50148C	9581	" Screw Stud.....
124687	----	" " " 50148C with 1560C....
42336	9583	" Spring.....
13915	9583	" Bushing.....
124775	9584	" Thread Guide.....
50370J	9562	" " " Set Screw.....
124850	9584	Thread Breaker.....
62124	7034	" " Bar with 62130 and two 3021.....
124933	9584	Thread Breaker Bar Check.....
124934	9584	" " " " Plunger.....
124935	9584	" " " " Case....
1186D	9558	" " " " " Screw
1722J	9558	" " " " " Lock Nut
1722J	9558	" " " " " Nut....
124938	9583	" " " " " Spring..
51120J	9558	" " " " Regulating Screw
51591J	9558	" " " " " "
		Lock Nut.....
50152J	9558	Thread Breaker Bar Check Screw.....
124938	----	Thread Breaker Bar Check complete, Nos. 51120J, 51591J, 124933 to 124935, 124938 and two 1722J.....
62126	9583	Thread Breaker Bar Connection with 17917
17915	9584	" " " " Slide Block
17917	----	" " " " " "
		17915 with 17916.....
17916	9584	Thread Breaker Bar Connection Slide Block Stud.....

No.	Plate	Name
59734	9591	Thread Breaker Bar Driving Lever with 223F and 59735.....
1382F	9558	Thread Breaker Bar Driving Lever Hinge Screw.....
1681C	9558	Thread Breaker Bar Driving Lever Hinge Screw Nut.....
59735	9584	Thread Breaker Bar Driving Lever Lock Stud.....
223F	9558	Thread Breaker Bar Driving Lever Lock Stud Screw.....
124787	9584	Thread Breaker Bar Guide.....
1235F	9558	" " " " Screw.....
124908	9584	" " Holder with 59739.....
62129	9584	" " " Cap with 59739...
50018F	9567	" " " " Screw.....
1547J	9558	" " " " Nut....
59739	9584	" " " " Stud.....
62130	9585	" " " Connection.....
3021	7039	" " " " Rivet..
59739	9584	" " " Stud.....
236F	9555	" " Screw.....
124609	9563	" Controller Sleeve.....
124607	9563	" " Spring.....
124608	9563	" " " Collar with 1477F.....
1477F	9555	Thread Controller Spring Collar Set Screw.....
124610	9563	Thread Controller Stud with 56549 and 124631.....
124631	9563	Thread Controller Stud Collar.....
56549	9563	" " " " Pin.....
457C	9562	" " " " Set Screw.....
124611	----	Thread Controller complete, Nos. 124607 to 124610.....
*124612	----	Thread Nipper (lower) Blade.....
*124613	----	" " " " Carrier with 124619.....
124614	9563	Thread Nipper (lower) Blade Carrier 124613 with 124612 and two 6037....
665J	9558	Thread Nipper (lower) Blade Carrier Cap Screw.....
124615	9584	Thread Nipper (lower) Blade Carrier Hinge Stud.....
6037	9584	Thread Nipper (lower) Blade Rivet.....
124929	9591	" " " Cam.....
335J	9562	" " " " Screw.....
124653	9591	" " " Connection.....
124618	9585	" " " Extension
99K	9562	" " " " "
		Hinge Screw.....

No.	Plate	Name
206J	9562	Thread Nipper (lower) Connection Extension Screw.....
124619	9585	Thread Nipper (lower) Connection Hinge Stud.....
124620	9591	Thread Nipper (lower) Driving Arm.....
8554	9585	" " " " " Pin...
124621	9585	" " " " Lever with 237K...
124930	9591	" " " " Guide.....
335J	9562	" " " " " Screw..
8554	9585	" " " " " Pin.....
237K	9567	" " " " " Set Screw...
124623	9585	" " " " " Shaft.....
124957	9589	" " " " " Bracket.
51188J	9567	" " " " " " Screw.....
17738	9577	Thread Nipper (lower) Lever Shaft Bracket Screw Washer.....
1743D	9567	Thread Nipper (upper) Adjusting Thumb Nut.....
59773	9585	Thread Nipper (upper) Body.....
447C	9567	" " " " " Set Screw....
59774	9585	" " " " " Cam with two 50150C
50150C	9562	" " " " " Set Screw.....
2921	9585	" " " " " Disc.....
12162	9585	" " " " " Guide Pin....
62169	9585	" " " " " Spring.....
59775	9585	" " " " " Eyelet.....
1527D	9567	" " " " " Lock Nut.....
59776	9585	" " " " " Stud with 13538....
13538	9585	" " " " " Position Pin..
13539	9585	" " " " " Roller.....
13540	9585	" " " " " " Pin....
2026	9585	" " " " " Spring.....
59777	----	Thread Nipper (upper) Stud complete, Nos. 13539, 13540 and 59776.....
59778	----	Thread Nipper (upper) complete, Nos. 1527D, 1743D, 2026, 59773, 59775, 59777, 62169 and two 2921.....
124776	9588	Thread Pull-off.....
202J	9581	" " " " " Screw.....
7071	9588	" " " " " Washer.....
124625	----	" " " " " Take-up Body with 62172.....
42808	9588	" " " " " Roller.....
62171	9588	" " " " " Cap.....
337J	9567	" " " " " " Screw.....
62172	9588	" " " " " Pin.....
124626	9588	Thread Take-up complete, Nos. 337J, 42808, 62171 and 124625.....
691F	9581	Thread Take-up Screw.....
39452	9588	" " " " " Wiper Body.....

No.	Plate	Name
39453	9588	Thread Wiper Body Finger.....
330J	9581	" " " " " Screw.....
1207D	9581	" " " " " Hinge Screw.....
124777	9588	" " " " " Support.....
136556	----	" " " " " " 124777 with 1207D, 1302D, 39452, 39455 and 39456...
641C	9555	Thread Wiper Body Support Set Screw....
39455	9588	" " " " " Wire.....
39456	9588	" " " " " " Clamp.....
1302D	9581	" " " " " " Screw.....
136547	9588	Throat Plate with 124615.....
136549	9588	" " " " " Needle Guard.....
206J	9562	" " " " " " Screw.....
136548	----	Throat Plate complete, Nos. 665J, 1547J, 50018F, 62129, 124850, 124907, 124908, 136547, 136549 and two each 206J and 236F.....
691F	9581	Throat Plate Screw.....
17872	9588	Trip Lever.....
1196C	9567	" " " " " Hinge Screw.....
17873	9586	" " " " " Spring.....
1182E	9567	" " " " " " Screw.....
17874	9588	Tripping Point.....
190J	9555	" " " " " Screw.....
*15404	----	Trade Mark.....
15405	----	" " " " " Rivet.....

SINGER Needles should be used
in SINGER Machines
These Needles and their Containers
are marked with the
Company's Trade Mark "SIMANCO.**" 1

Needles in Containers marked
"FOR SINGER MACHINES"
are NOT SINGER made needles. 2

ATTACHMENTS AND ACCESSORIES

No.	Plate	Name
59797	9593	Button Tray with two wood screws 1 1/4 in. No. 14.....
124958	9576	Cylinder Base Plate with two 453C.....
18420	9576	" " " Hinge Connection....
18423	9576	" " " " " Hinge Pin.....
453C	9558	Cylinder Base Plate Hinge Connection Hinge Pin Set Screw.....
134E	9567	Cylinder Base Plate Screw.....
124959	----	Cylinder Base Plate (hinged) complete, Nos. 124958, two each 18420, 18423, three wood screws 1 1/4 in. No. 12 and four 134E.....
124975	----	Cylinder Base Plate 124959 with 124966..
124960	9576	Machine Supporting Bracket (lower).....
178J	9581	" " " " Screw.
124961	9576	" " " (upper).....
1396J	9581	" " " " Screw.
124962	9576	" " Link (lower).....
124963	9576	" " (upper).....
124964	9588	" " Hinge Rivet.....
124965	9576	" " Lock Plate.....
190333	9588	" " " " Lock Stud.....
124964	9588	Machine Supporting Link Lock Plate Rivet
124966	9576	Machine Support complete, Nos. 178J, 1396J 124960 to 124963, 124965, 190333 and four 124964.....
120346	7007	Oiler (copper plated) with 120347.....
120347	7007	" Spout, 8 1/2 in. long.....
11831	7007	Screw Driver (machine).....
26026	7007	" " (shuttle tension).....
4822	7007	Wrench for 1547.....
10875	7007	" " 1518, 1520, 1649, 1650 and 1662.
17905	7007	" " 1176, 1178, 1654, 1655 and 1676.
25200	7007	" " 1527.....
27662	7007	" " 1254 and 1508.....

BUTTON SPACING GAUGES

No.	Plate	Name
124700	9587	Button Spacing Gauge (lower) for 124704.
124705	9587	" " " " " 124707.
217J	9555	" " " " " Screw, for 124704.....

No.	Plate	Name
181J	9581	Button Spacing Gauge (lower) Screw, for 124707.....
124701	9587	Button Spacing Gauge (upper) for 124704 and 124707.....
602J	9581	Button Spacing Gauge (upper) Screw.....
124702	9587	" " " " Holder with 124703, for 124704.....
124706	7034	Button Spacing Gauge Holder, for 124707.
124703	9588	" " " " Position Stud for 124702.....
287D	9581	Button Spacing Gauge Thumb Screw, for 124704.....
124704	----	Button Spacing Gauge complete, with cloth plate, Nos. 217J, 287D, 602J and 124700 to 124702.....
124707	----	Button Spacing Gauge complete, without cloth plate, Nos. 181J, 602J, 124701, 124705, 124706 and two wood screws 1 in. No. 10 R.H.B.....
124950	9587	Button Spacing Gauge, for 124952.....
124706	7034	" " " Holder, for 124952.
124951	9593	" " " Plate.....
181J	9581	" " " " Screw.....
9525	6983	" " " " " Washer..
217J	9555	" " " " " Screw.....
7071	9588	" " " " " Washer.....
124952	----	Button Spacing Gauge complete, with cloth plate, Nos. 181J, 9525, 124706, 124950, 124951, wood screw 1 in. No. 10 R.H. and two each 217J and 7071.....
*124708	----	Cloth Plate with 62181 and three 1602E..
1602E	9588	" " Bushing.....
*62181	----	" " Button Tray.....
62102	7039	" " Guide Block (left).....
742F	9581	" " " " " Screw.....
1547J	9558	" " " " " " Nut..
62103	7039	" " " " (right).....
3021	7039	" " " " " Rivet....
190J	9555	" " Screw.....
62104	7039	" " Stop.....
26770	7039	" " Rivet.....
124710	7034	Cloth Plate complete, Nos. 742F, 1547J, 26770, 62102 to 62104, 124708 and two 3021.....

PROTECTORS

No.	Plate	Name
39489	7008	Arm with 39490.....
160C	9558	" Clamping Screw.....
39490	----	Blade.....
39491	7008	Bracket with two each 426C and 448C.....
426C	7009	" Adjusting Screw.....
50351J	7009	" Screw.....
39492	7009	Crank with 180C.....
39493	7009	" Bracket with 1120C and two 454C...
454C	7009	" " Set Screw.....
52598	7009	" Hinge Stud.....
1120C	7009	" " " Set Screw.....
39494	7008	Rod, for 39498.....
124895	9593	" " 124897.....
15261	7009	" Collar with 237F.....
237F	9567	" " Set Screw.....
39495	7009	" Connection, for 39498.....
124896	9587	" " " 124898.....
176J	7009	" " Screw.....
1099F	7009	" Screw Stud.....
39496	7008	" Sleeve.....
448C	7009	" " Set Screw.....
39497	7009	" Spring.....
15261	7009	" Collar with 237F.....
237F	9587	" " " Set Screw.....
63753	----	Protector (front of needle) Nos. 1099F, 39489, 39491 to 39494, 39496, 39497, 52598 and two 15261.....
39498	----	Protector (front of needle) complete, Nos. 39495, 63753 and two each 176J and 50351J.....
124897	----	Protector Rod 124895 with 1099F, 39489, 39491 to 39493, 39496, 39497, 52598 and two 15261.....
124898	----	Protector (front of needle) complete, Nos. 124896, 124897 and two each 176J and 50351J.....

FOOT LIFTER PARTS

No.	Plate	Name
1787E	9593	Treadle with 443C.....
17877	9593	" Pitman Rod (lower).....
17878	9593	" " " (upper).....
17579	9593	" " " Clamp with two 161D..
161D	9567	" " " " Screw.....

No.	Plate	Name
17880	9593	Treadle Pitman complete, Nos. 17877 to 17879.....
17881	9574	Treadle Shaft.....
443C	9567	" " Set Screw.....
17882	9574	" Spring.....
17883	9593	" Stand.....
17884	9593	Treadle complete, Nos. 17876, 17881 to 17883 and two wood screws 1 in. No. 10
17885	----	Treadle and Pitman complete, Nos. 17880 and 17884.....

FOOT LIFTER CHAIN GUIDE

No.	Plate	Name
65883	9574	Chain Guide Bracket.....
2461	9587	" " Pulley.....
65884	9588	" " " Pin.....
65885	----	Foot Lifter Chain Guide complete, Nos. 2461, 65883, 65884 and four wood screws 1 in. No. 10 R.H.B.....

STARTING LEVER

No.	Plate	Name
13351	----	Chain, 46 in. to 55 in. long, with 56864 and 56865.....
Note: When ordering 13351, give length required.		
56864	7007	Chain Hook (large).....
56865	9587	" " (small).....
17876	9593	Treadle with 443C.....
17881	9574	" Shaft.....
443C	9567	" " Set Screw.....
17882	9574	" Spring.....
17883	9593	" Stand.....
17884	9593	Treadle complete, Nos. 17876, 17881 to 17883 and two wood screws 1 in. No. 10.....

TABLE BELT GUIDE

No.	Plate	Name
39218	9574	Belt Guide with two 168E.....
168E	9567	" " Set Screw.....
17892	9593	Bracket with two 153E.....

TABLE BELT GUIDE

No.	Plate	Name
17893	9574	Pulley.....
39219	9574	" Shaft (long) with 17896 and 63973.
63973	9574	" " " Wick (braided cotton)
39220	9574	" " (short) with 17896 and 63974
63974	9574	" " " Wick (braided cotton)
17896	9587	" " Plug.....
153E	9567	" " Set Screw.....
39221	----	Table Belt Guide complete, Nos. 17892, 39219,39220,two each 17893,39218 and three wood screws 1 1/4 in. No. 12..

THREAD UNWINDER

FOR ONE LARGE SPOOL OR ONE LARGE CONE OF THREAD

No.	Plate	Name
225259	8405	Spool Rest with 201018C.....
150203	8405	" " Cushion (felt).....
225388	8405	" " Rod.....
200383C	9567	" " " Set Screw.....
201016C	9567	" " Set Screw.....
202490	8405	" Stand with 200383C.....
225391	8405	Thread Guide.....
60771	9583	" "
60772	----	" " 60771 with 41635.....
41635	9587	" " Bracket with 175E.....
175E	9581	" " " Set Screw.....
201696J	9567	" " Lock Nut.....
225326	9587	" " Position Cup.....
225324	8405	" " Rod with 208E and 225322....
208E	9555	" " " Screw.....
225322	9567	" " " Washer.....
225260	8405	Thread Unwinder complete,Nos.150203, 201696J,202490,225259,225324,225326, 225388,225391 and three wood screws 7/8 in. No. 12.....
27739	20337	Thread Cone (wood) for large cones.....
225390	20337	" " Holder, for inverted cones..
Note: Nos. 27739 and 225390 are used with, but not included in 225260.		
60773	----	Thread Unwinder with Thread Guide com- plete,Nos.60772 and 225260.....

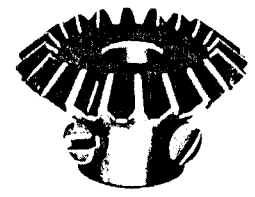
SINGER Needles should be used
 in SINGER Machines
 These Needles and their Containers
 are marked with the
 Company's Trade Mark "SIMANCO.***" 1

Needles in Containers marked
 "FOR SINGER MACHINES"
 are NOT SINGER made needles. 2

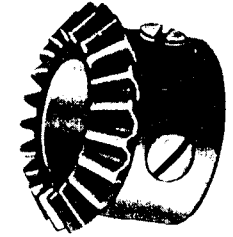
59704



59708



59703



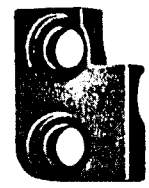
59706



1036



39223



1253



59705



4448



1255



56015



59707



16532



21828



PLATE 6983—FULL SIZE

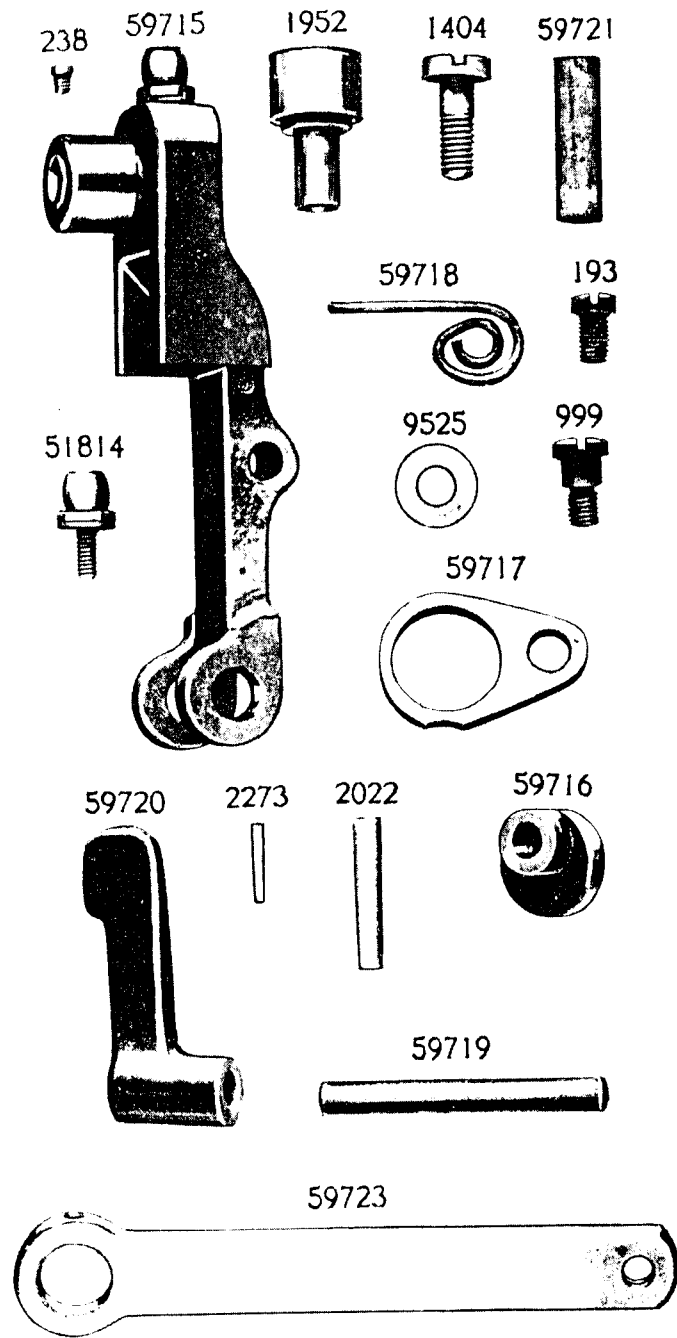


PLATE 6985—FULL SIZE

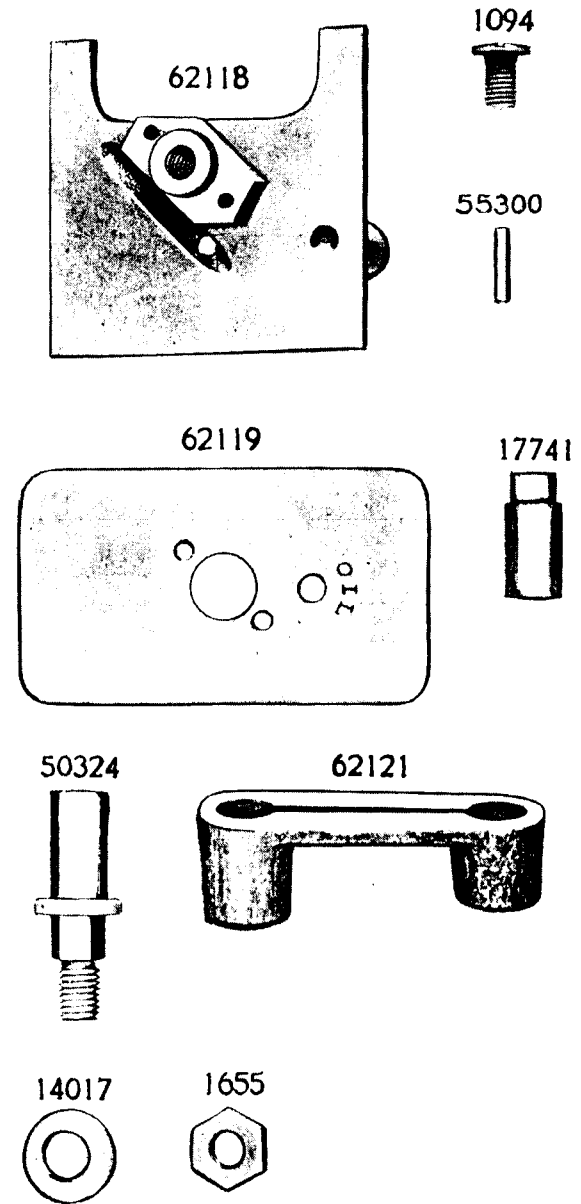


PLATE 7007—ONE-HALF SIZE

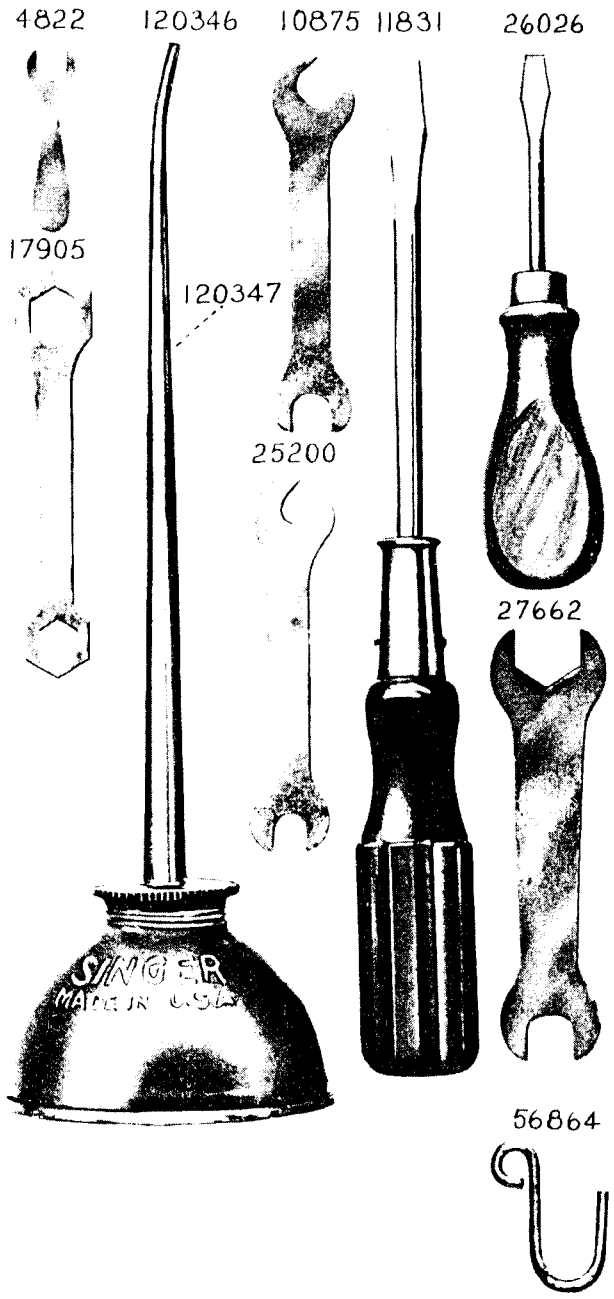


PLATE 7008—ONE-HALF SIZE

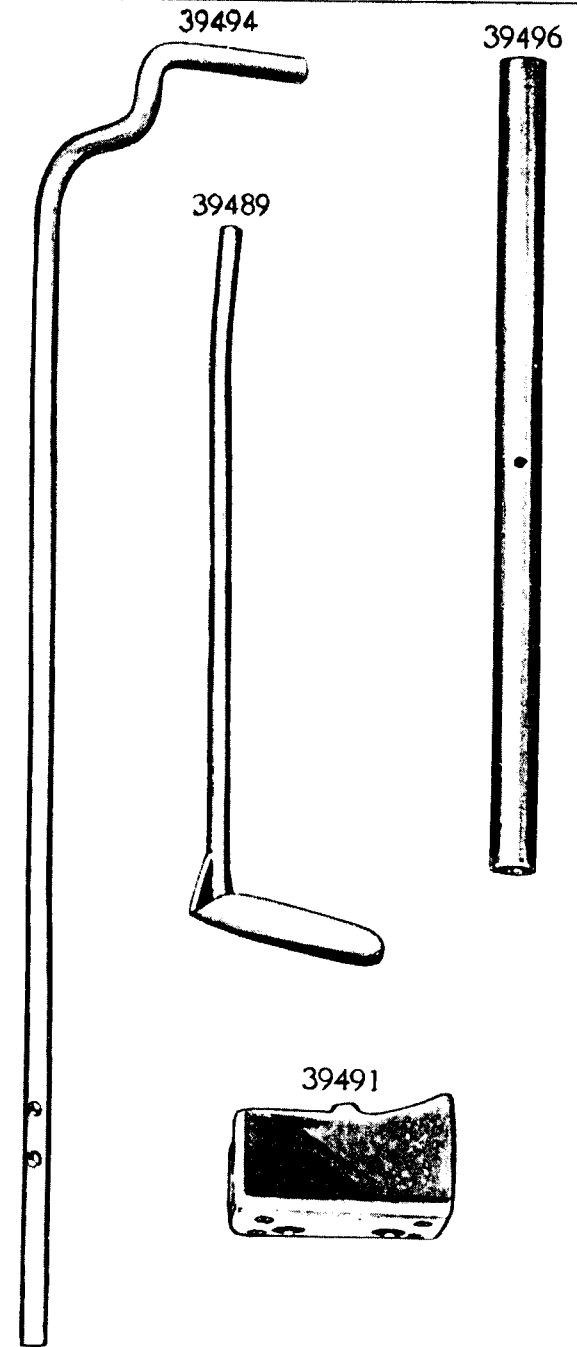


PLATE 7009--FULL SIZE

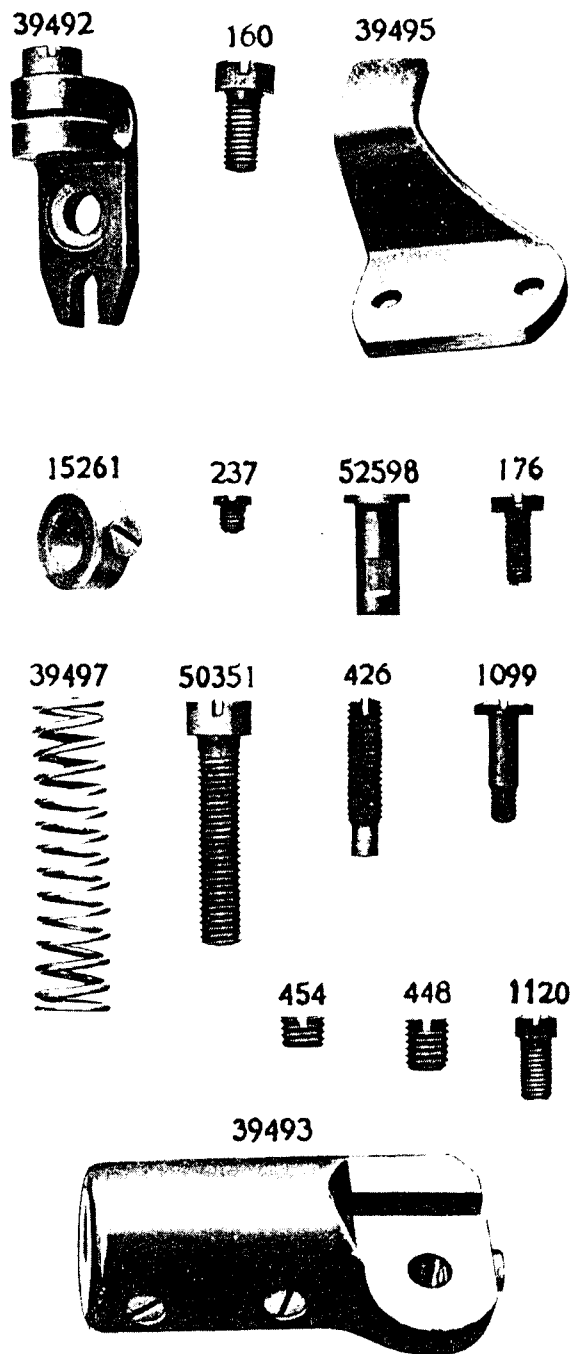


PLATE 7034--ONE-FOURTH SIZE

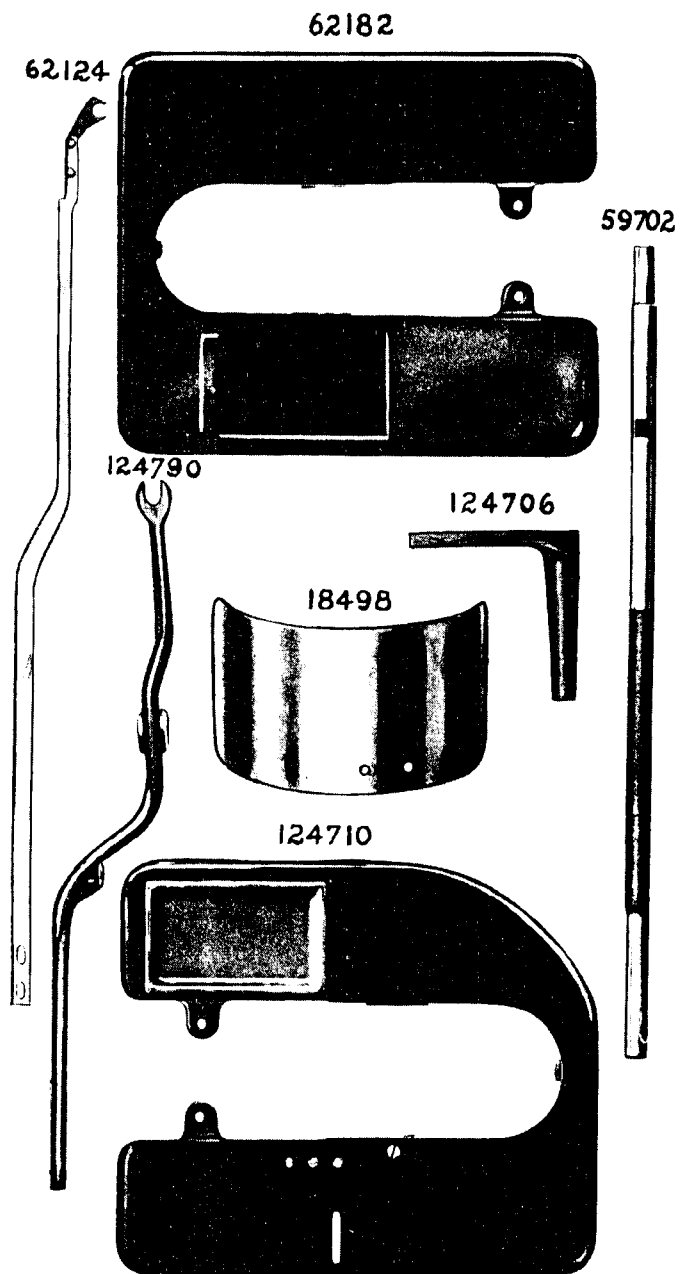
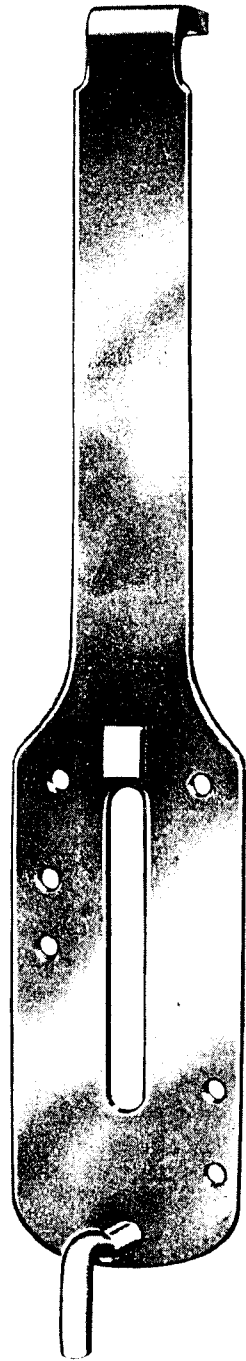


PLATE 7038—FULL SIZE

39238



124732



39239



39244



39245



9311



17714

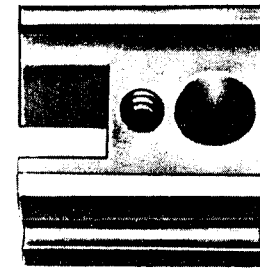


PLATE 7039—FULL SIZE

39241



17713



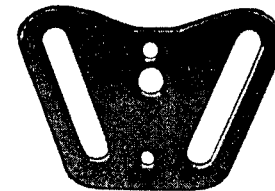
1181



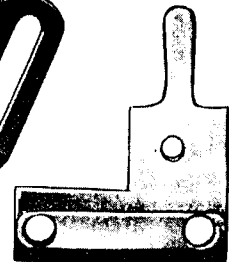
17723



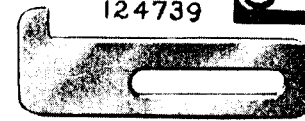
39242



124737



124739



124738



39248



17719



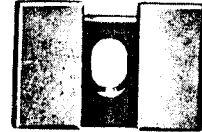
17720



62103



62102



62104



3021



1547



124745



26770



PLATE 8405—ONE-FOURTH SIZE

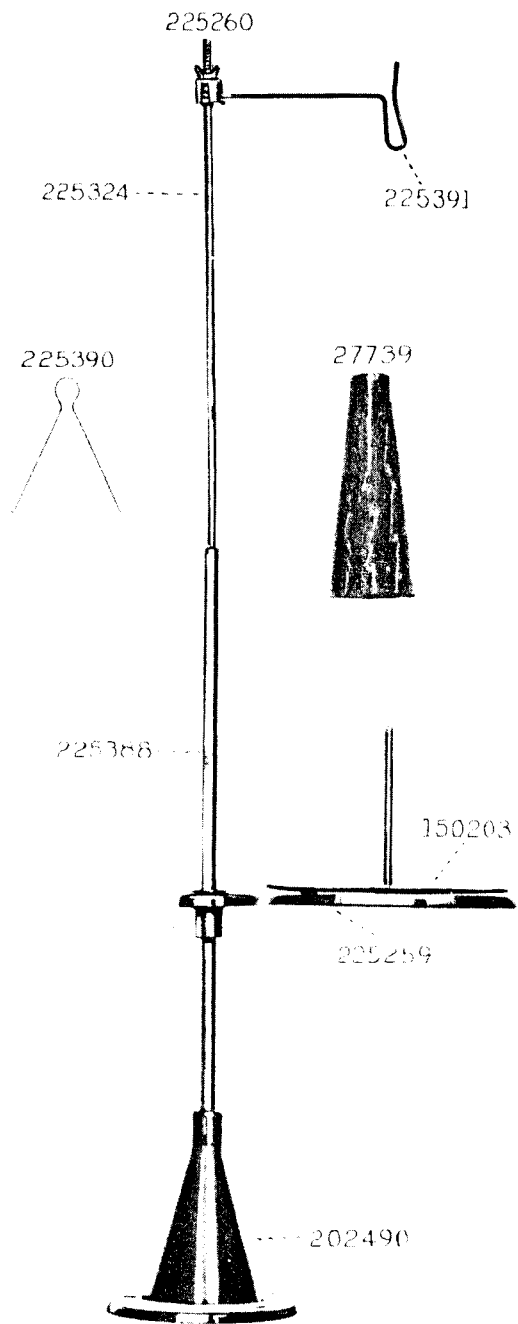


PLATE 9080—FULL SIZE

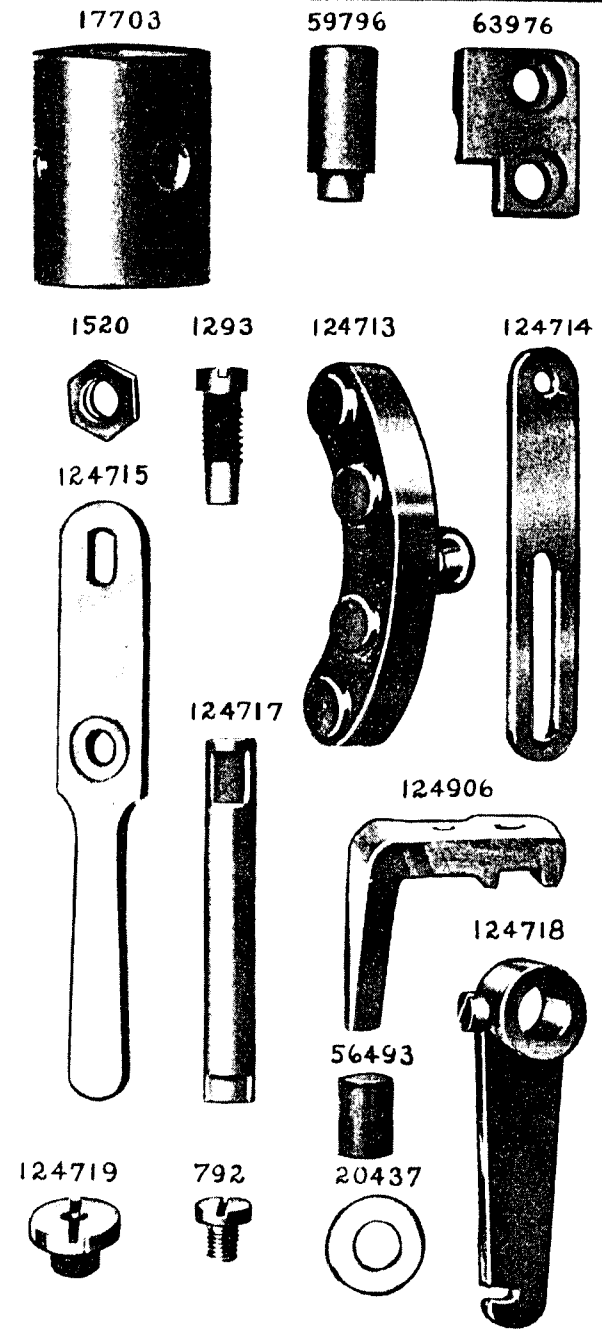


PLATE 9081-FULL SIZE

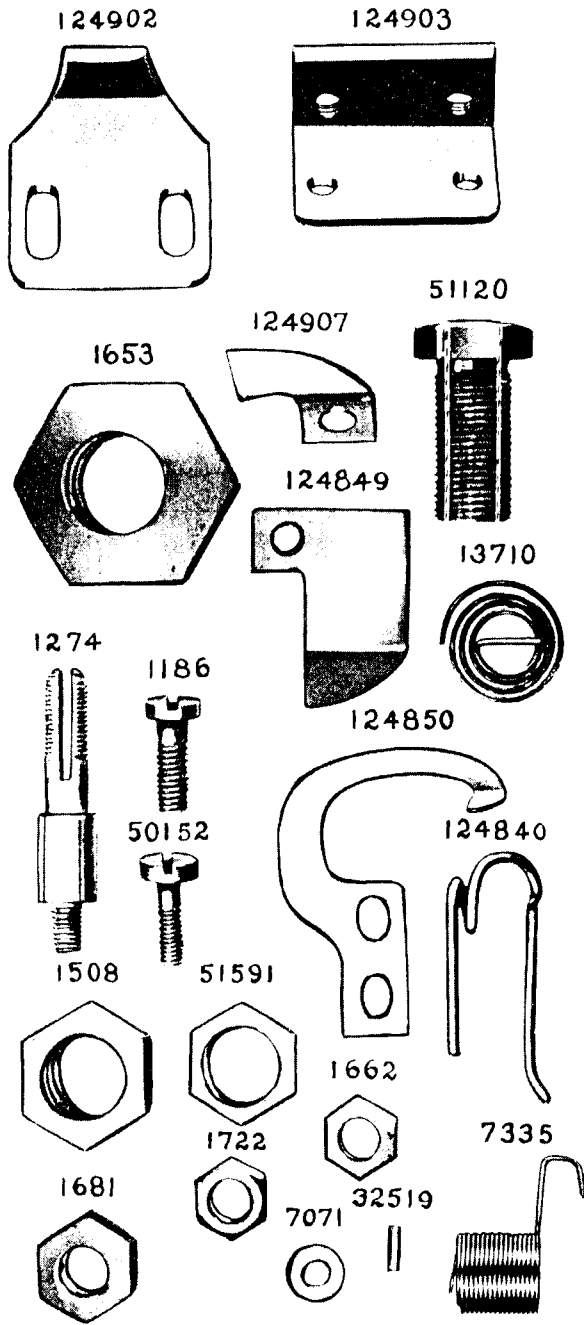


PLATE 9553 - FULL SIZE

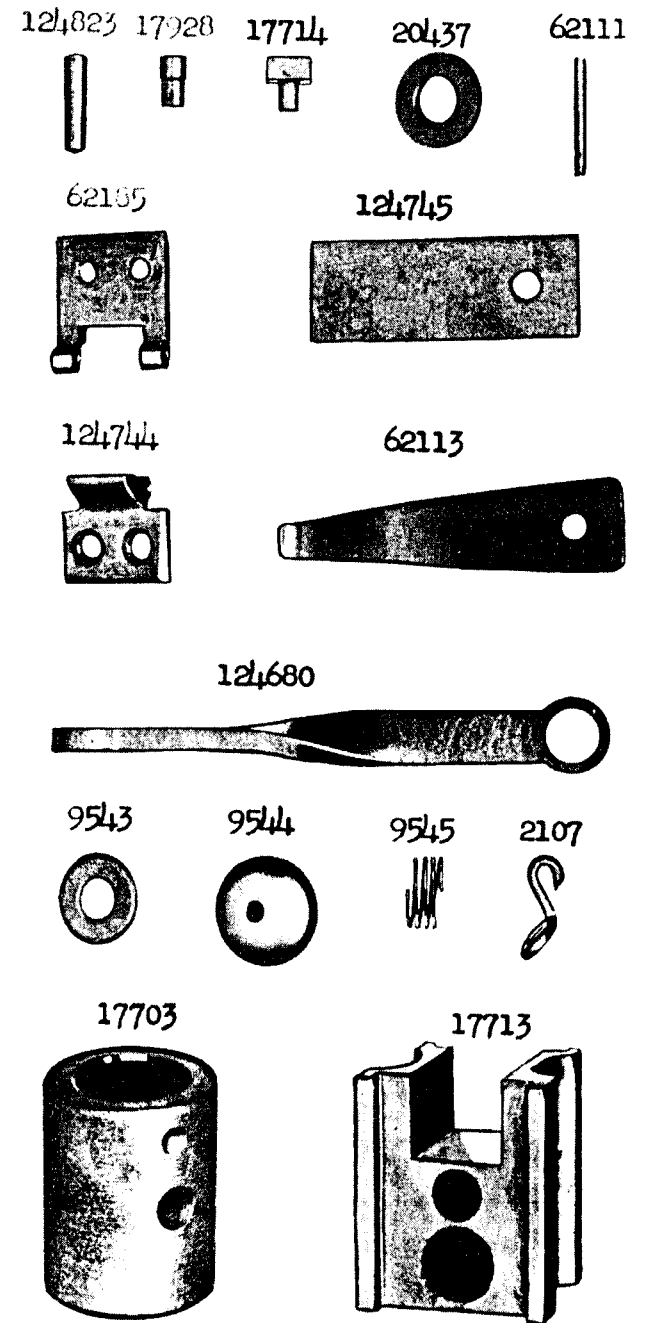


PLATE 9555 - FULL SIZE

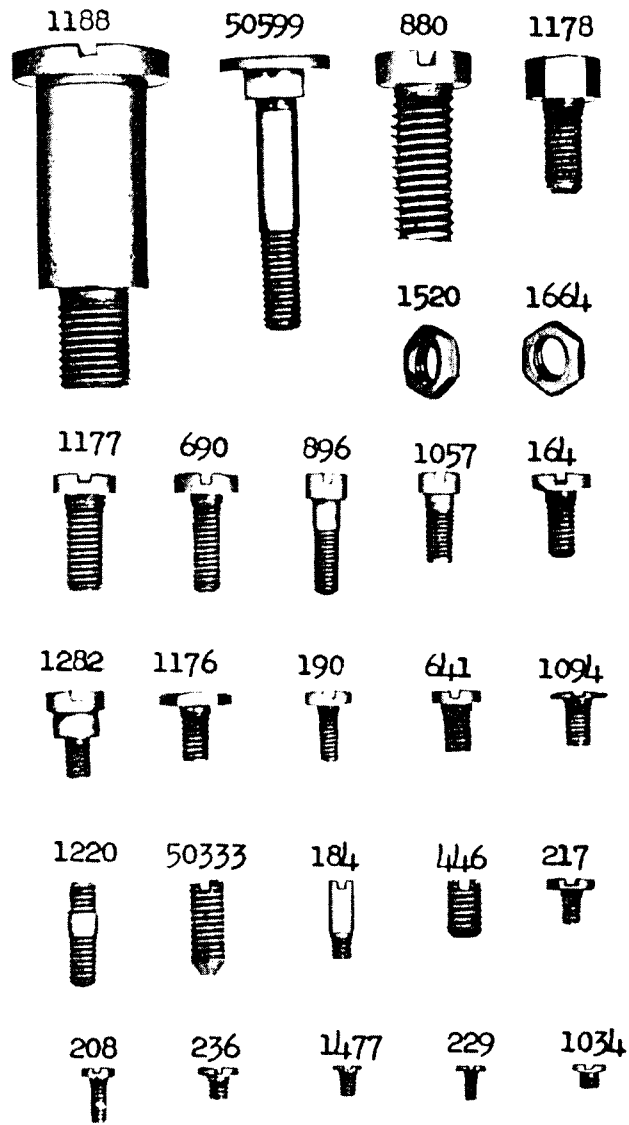


PLATE 9558 - FULL SIZE

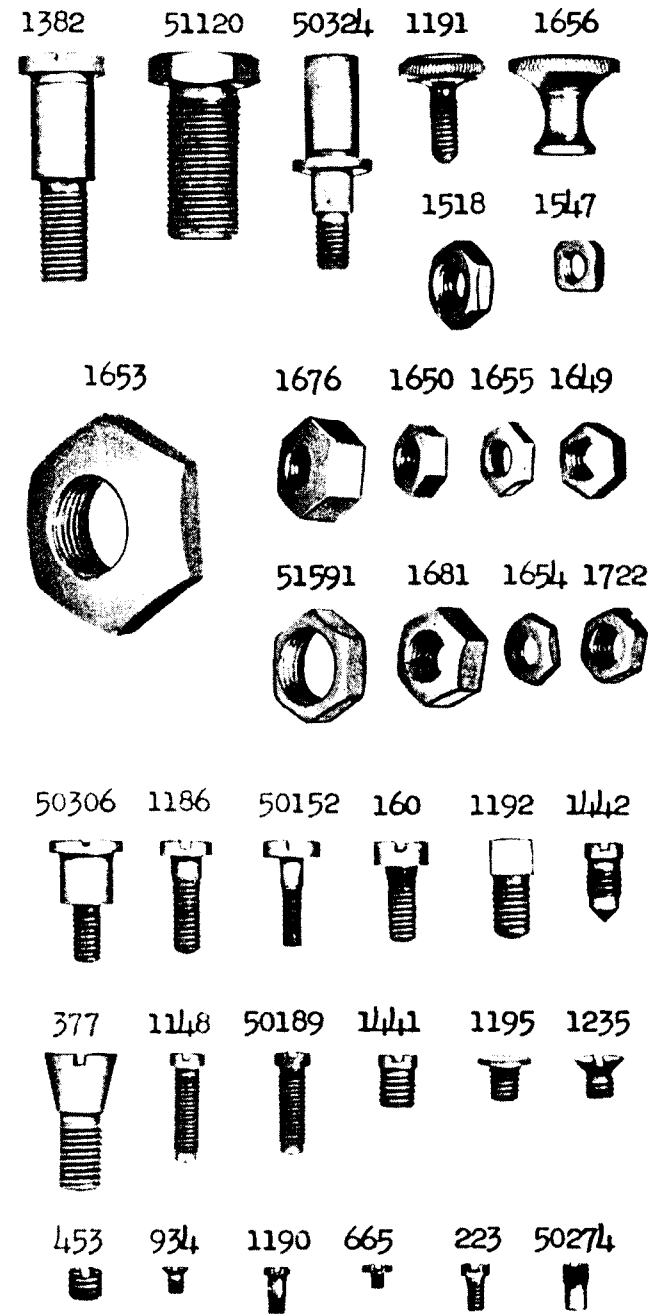


PLATE 9560 - FULL SIZE

2273 124699 124698 124821 42639

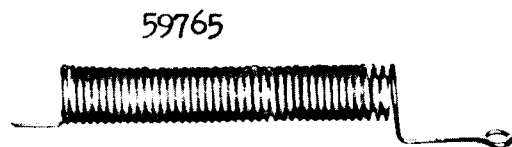
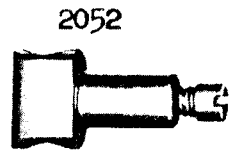
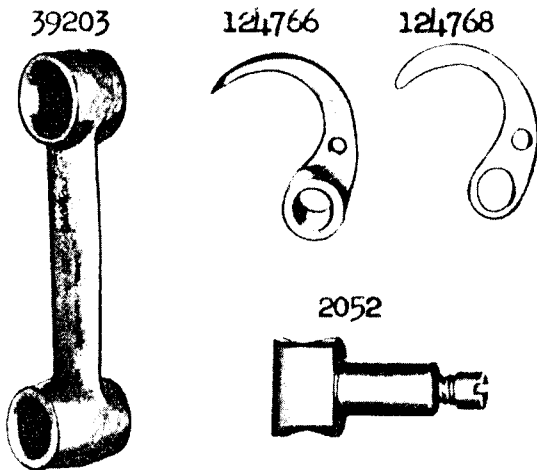
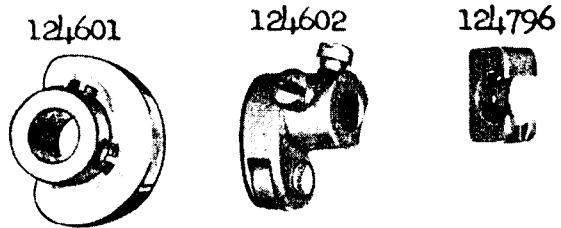
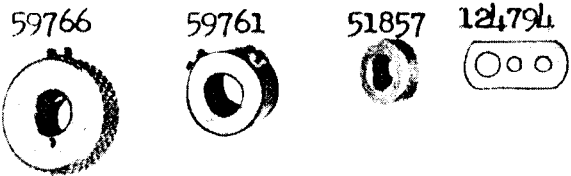


PLATE 9562 - FULL SIZE

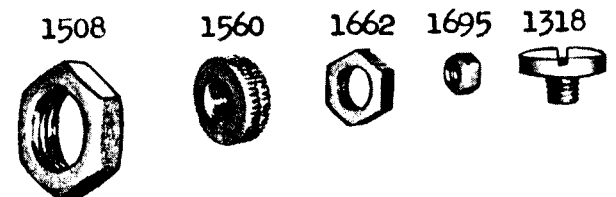
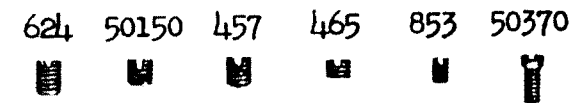
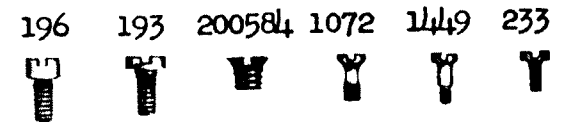
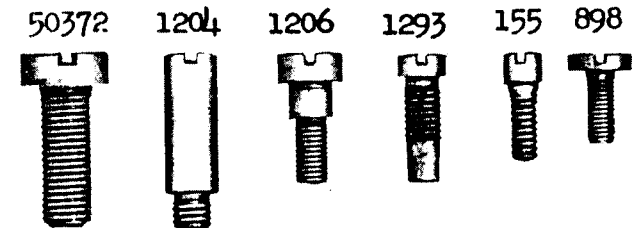
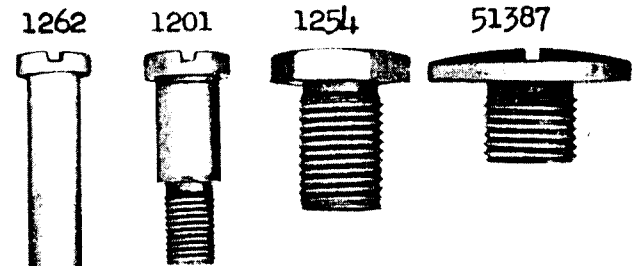
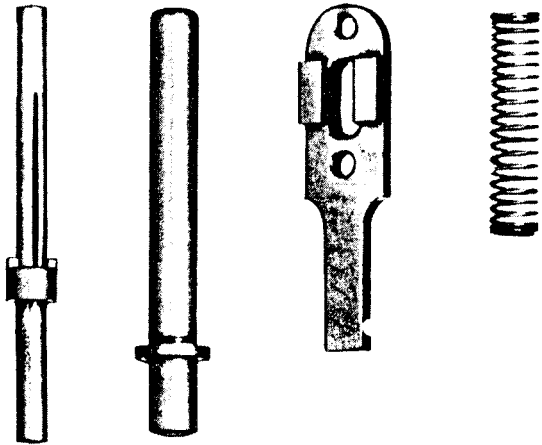
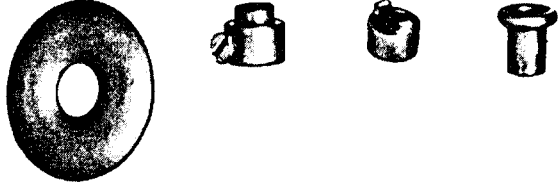


PLATE 9563 - FULL SIZE

124610 17861 124774 124607



2102 124608 124631 124609



17863 17862 19694 101145



124614

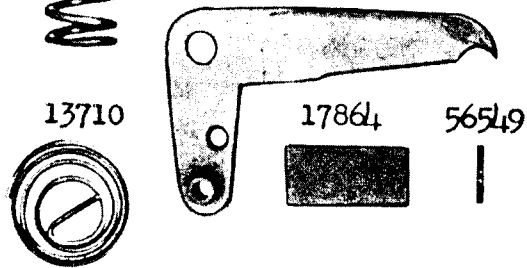
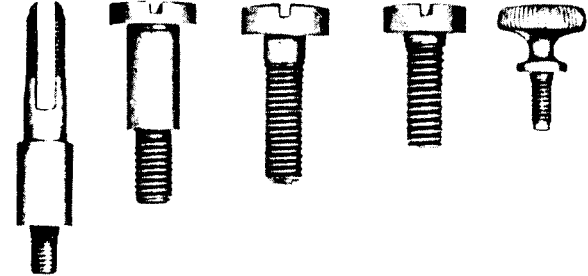


PLATE 9567 - FULL SIZE

1274 1196 51188 134 51224



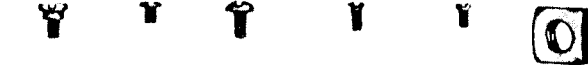
153 168 50018 161 201018 443



447 1175 200383 452 1182 237



50303 707 337 234 239 1527



1743



201696



225322



PLATE 9574 - ONE-HALF SIZE

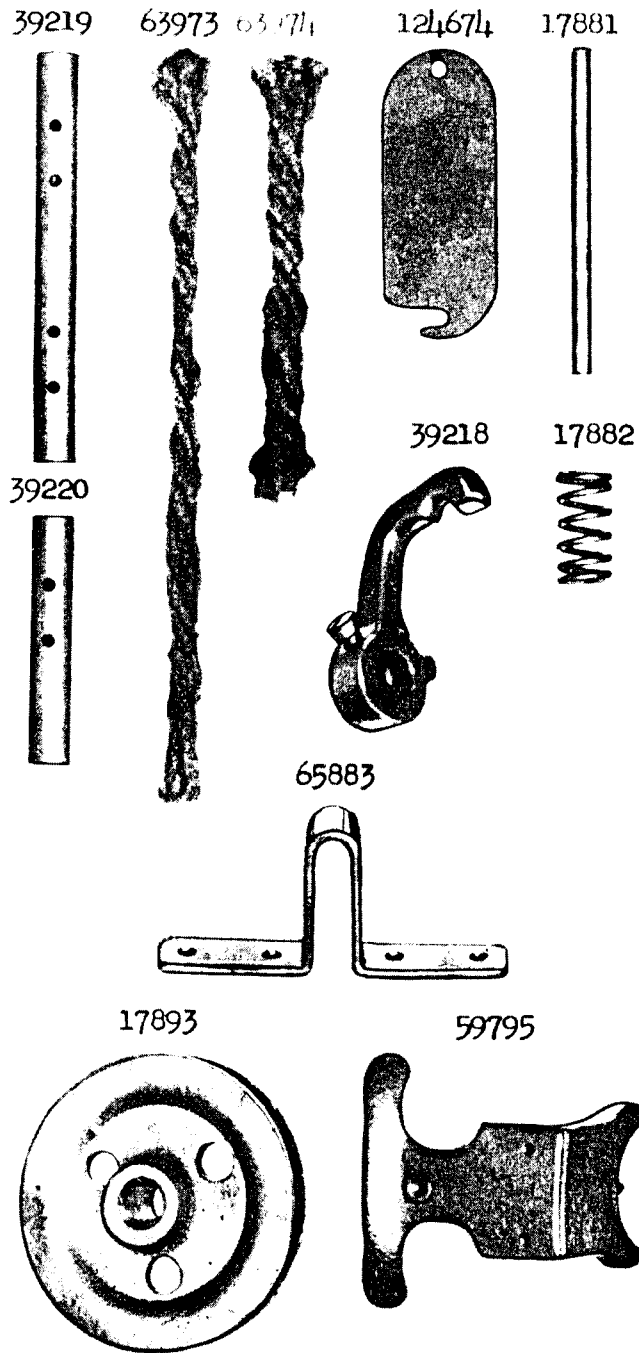


PLATE 9576 - ONE-HALF SIZE

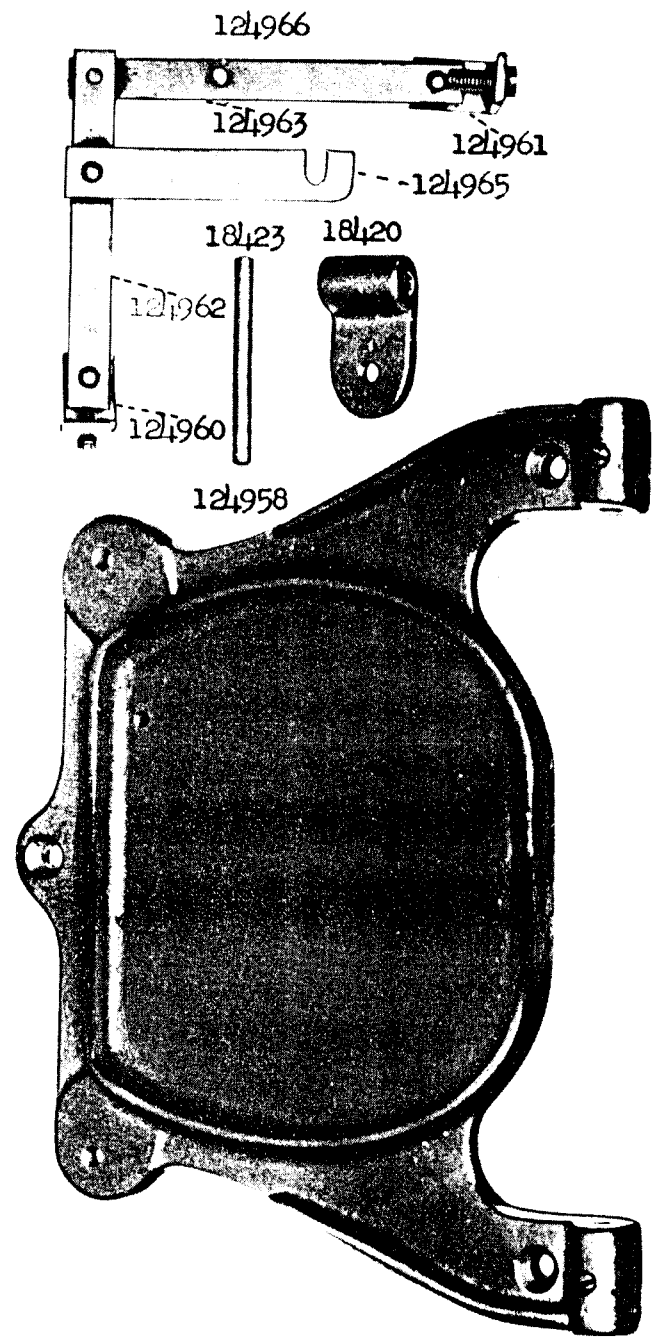


PLATE 9577 - FULL SIZE

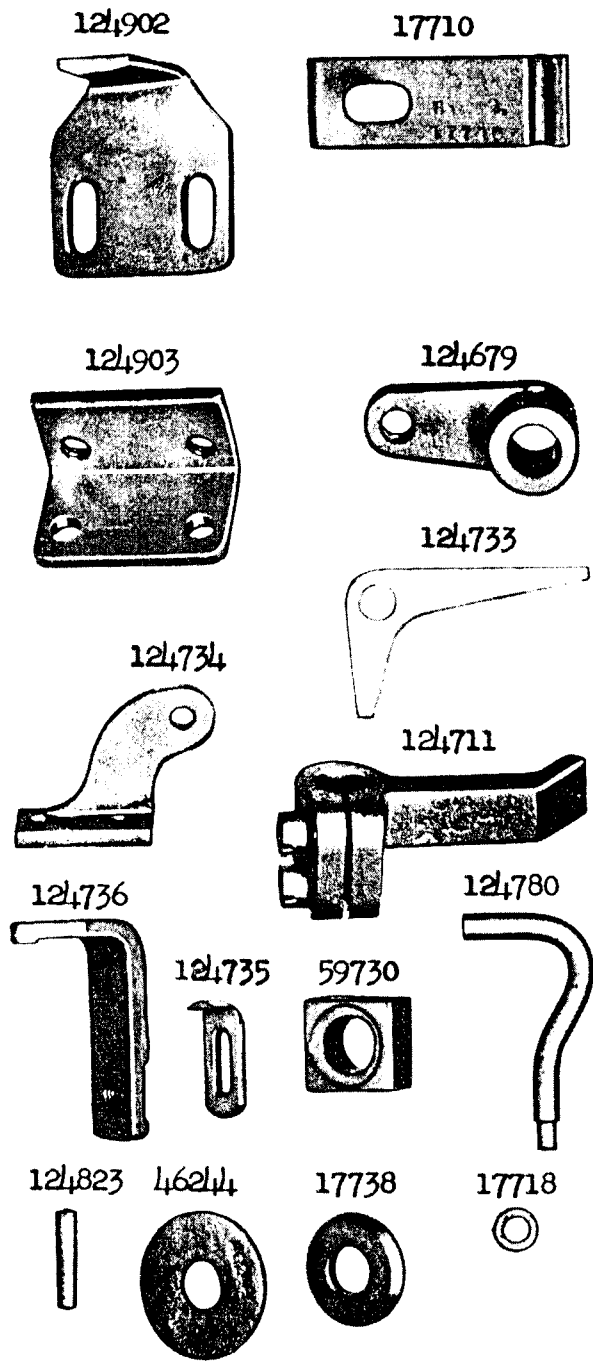


PLATE 9578 - FULL SIZE

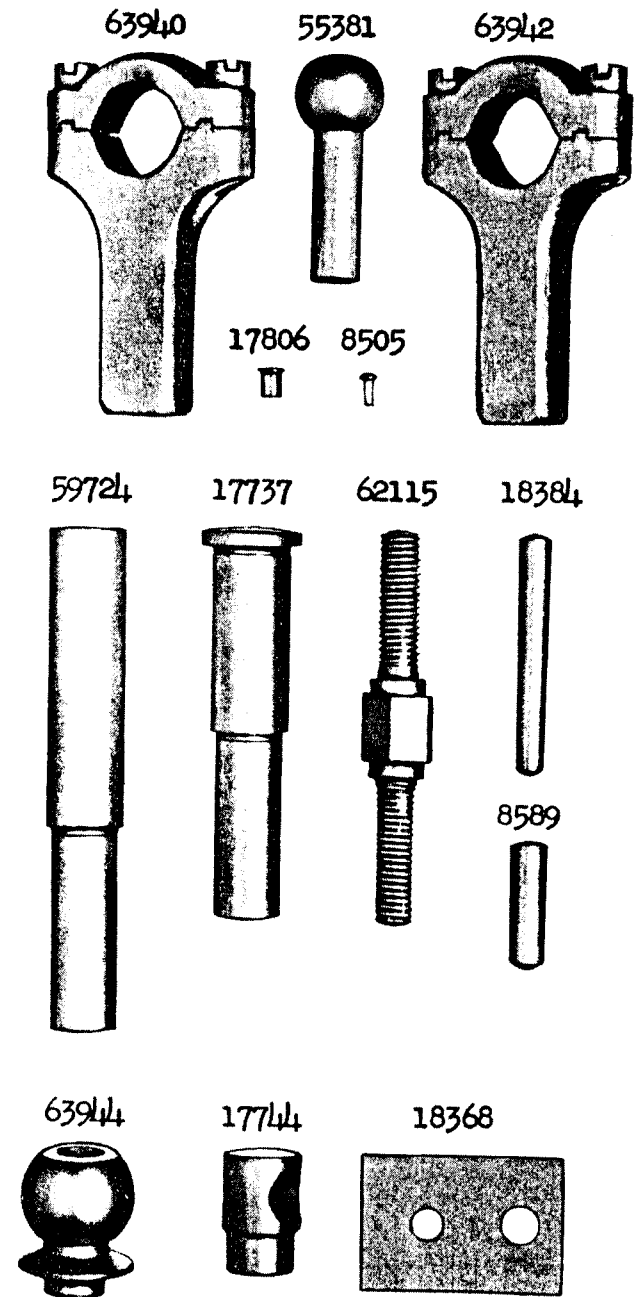


PLATE 9579 - FULL SIZE

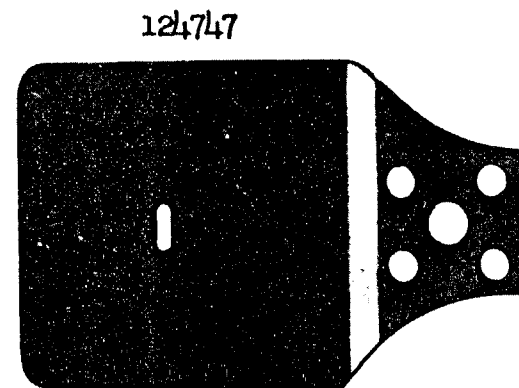
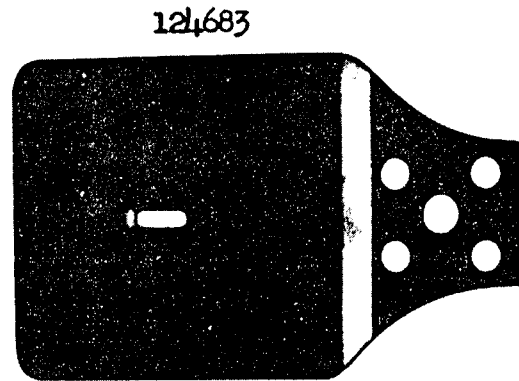
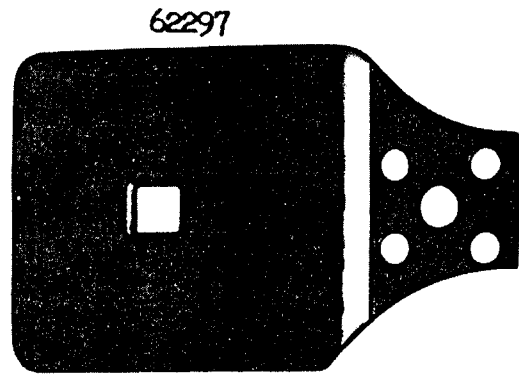


PLATE 9580 - FULL SIZE

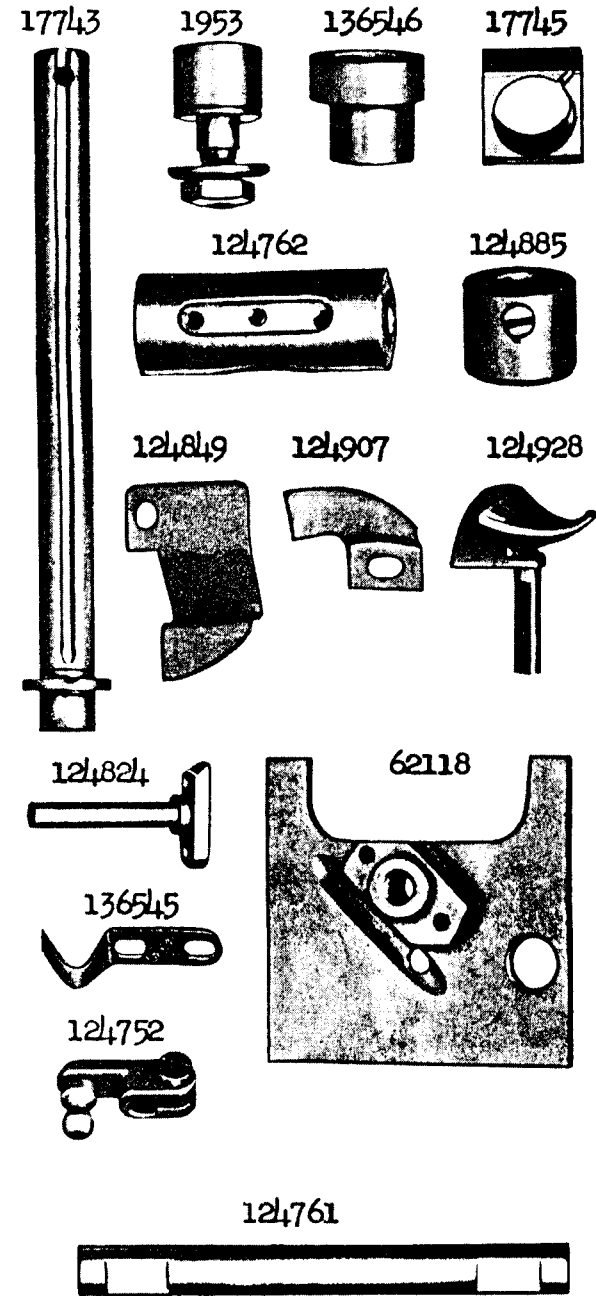


PLATE 9581 - FULL SIZE

50148 1396 430 742 175

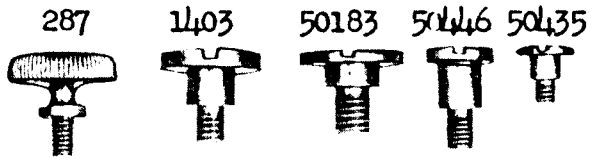
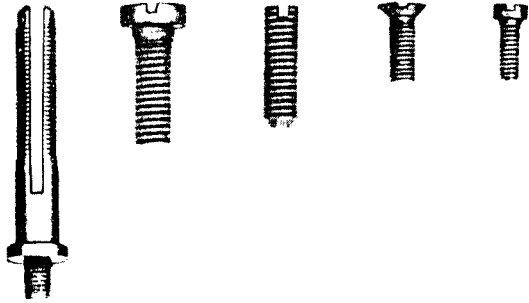
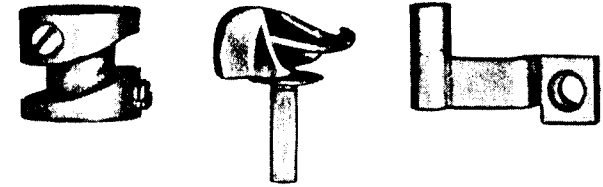


PLATE 9582 - FULL SIZE

124978 136544 124753



52045 51868 124755 136550 34418

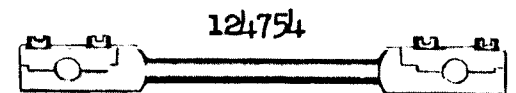
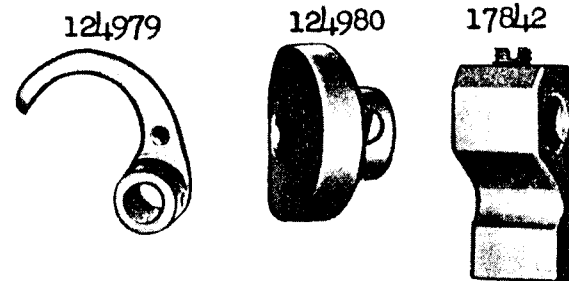
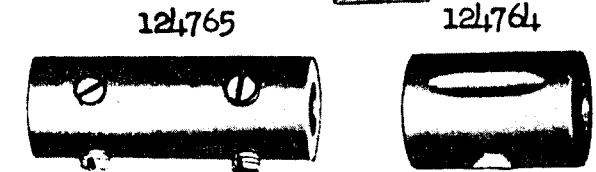
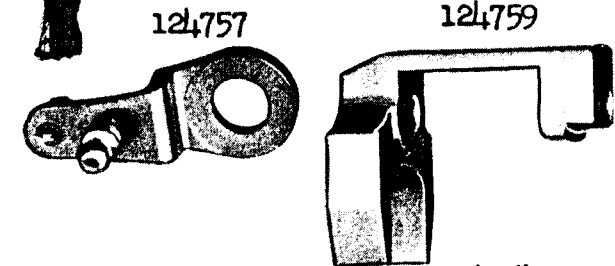


PLATE 9583 - FULL SIZE

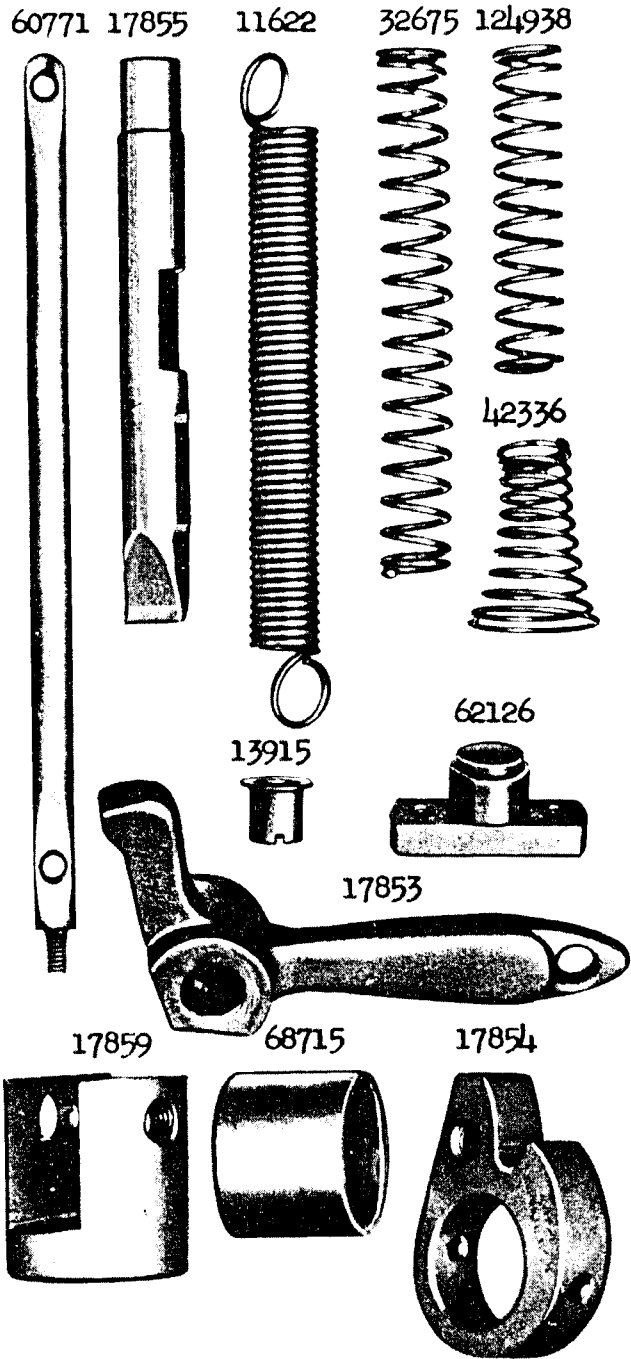


PLATE 9584 - FULL SIZE

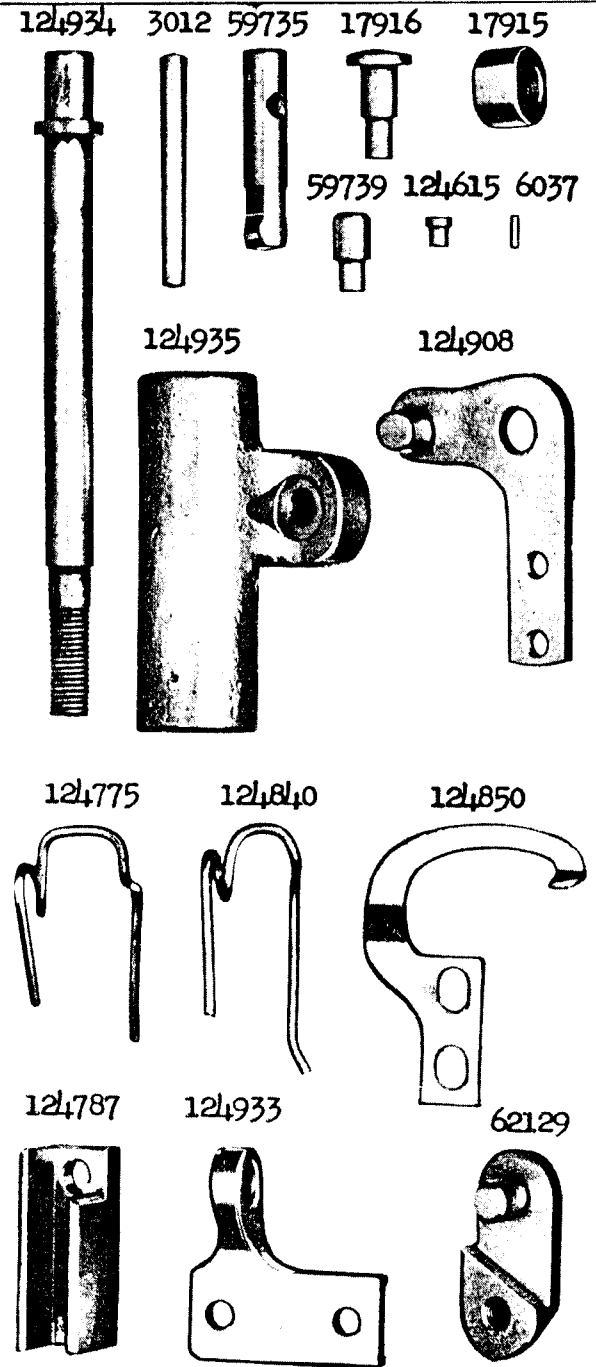


PLATE 9585 - FULL SIZE

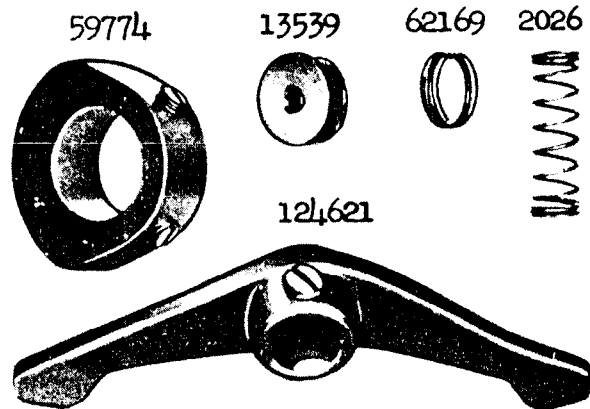
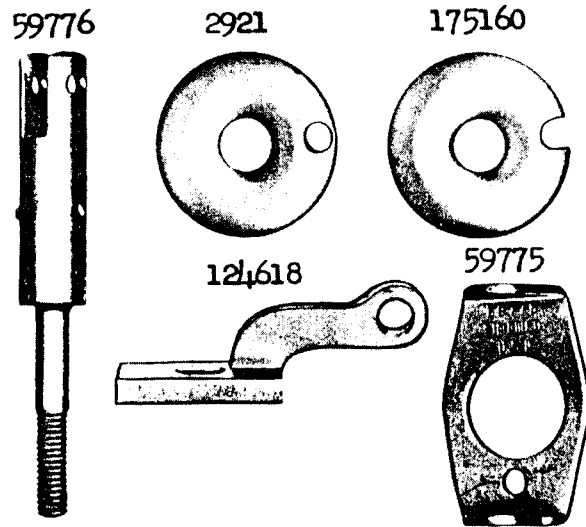
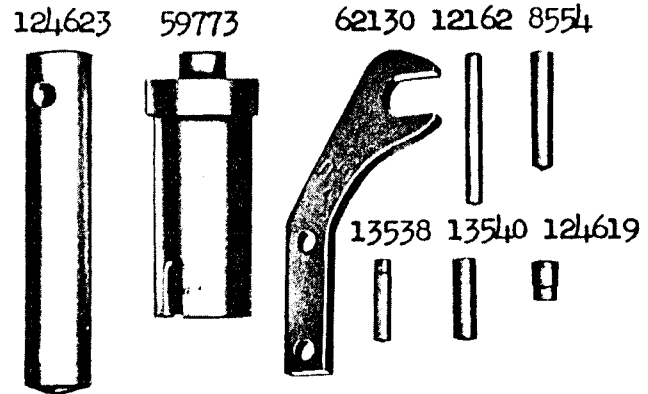


PLATE 9586 - FULL SIZE

136547

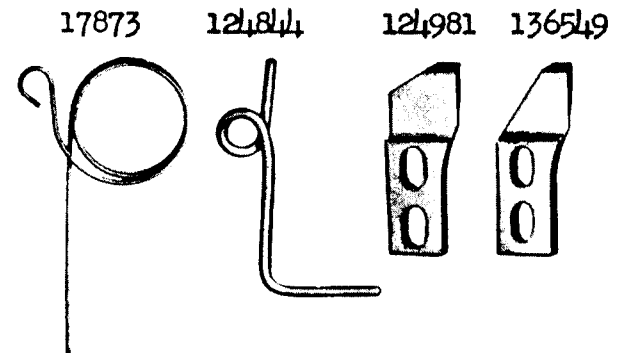
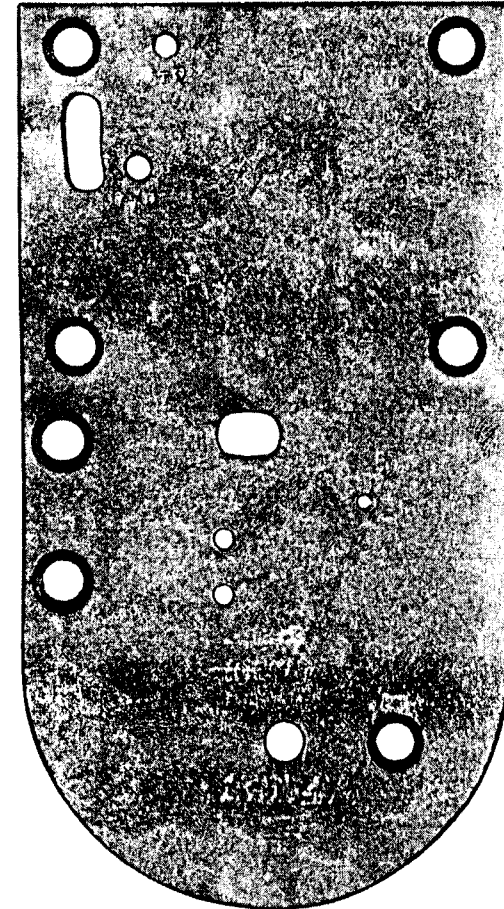


PLATE 9587 - FULL SIZE

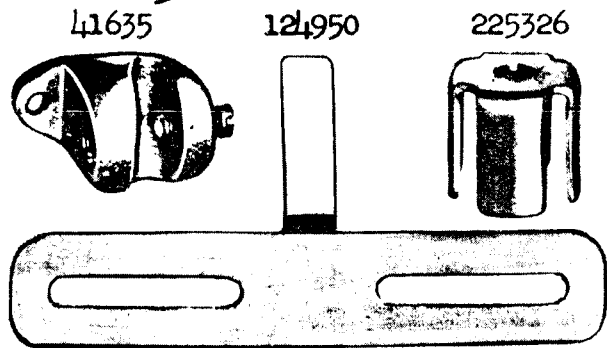
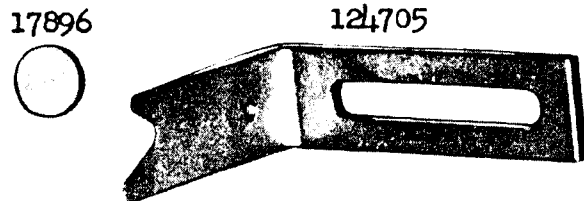
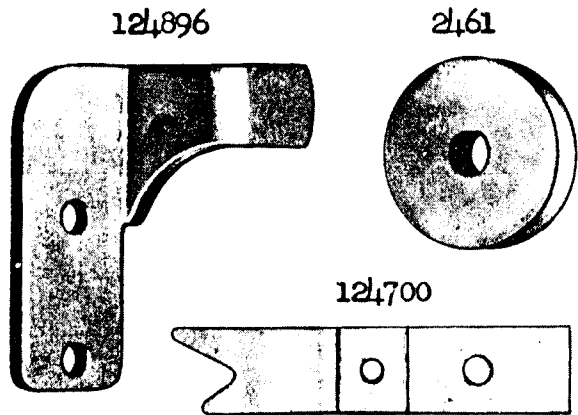
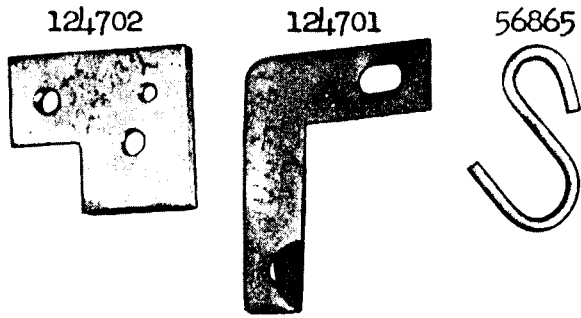


PLATE 9588 - FULL SIZE

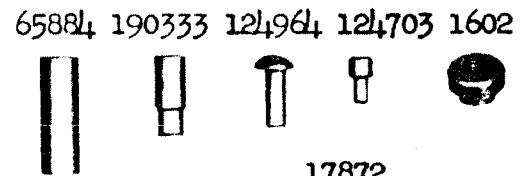
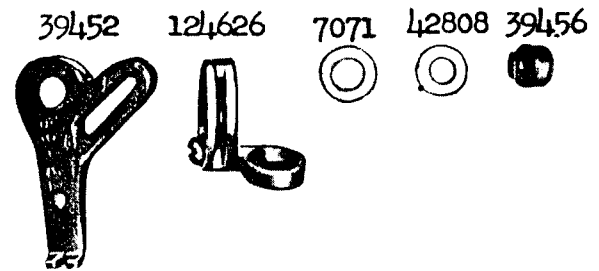
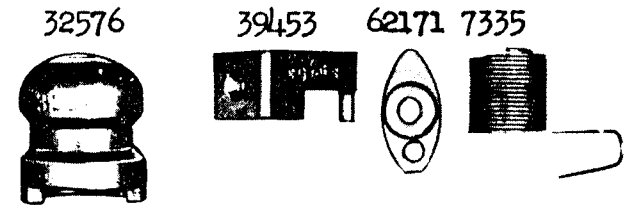
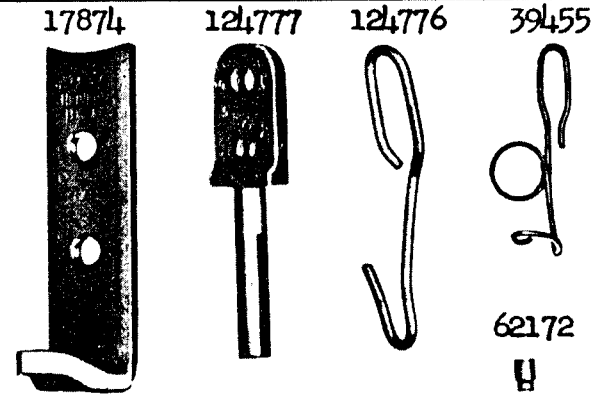


PLATE 9589 - ONE-HALF SIZE

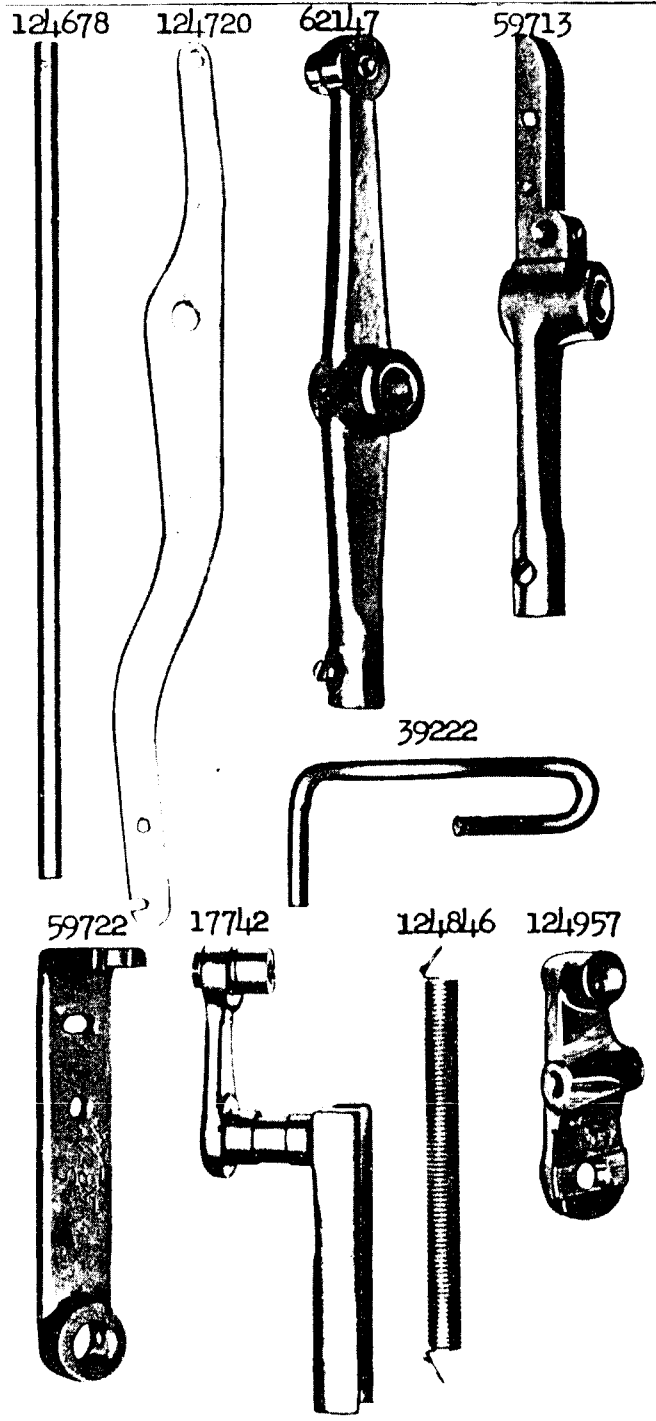


PLATE 9590 - ONE-HALF SIZE

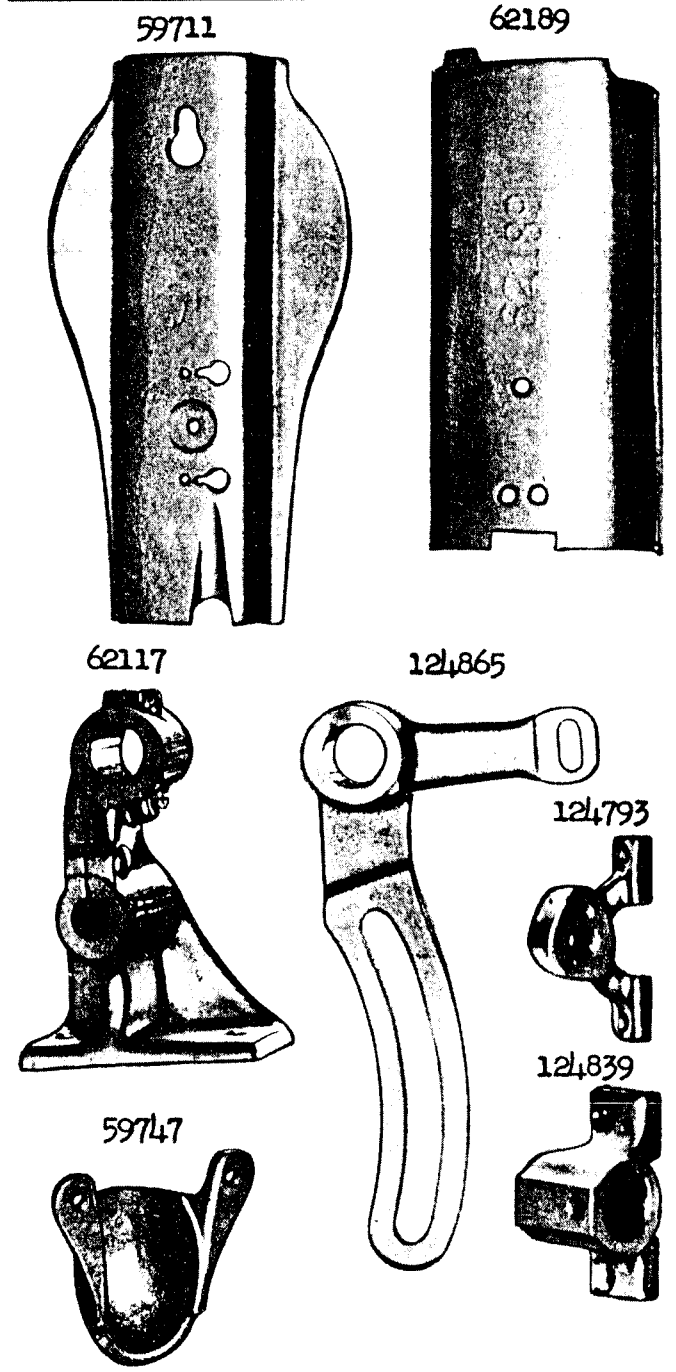


PLATE 9591 - ONE-HALF SIZE

17845 124653 124769 124838 124784

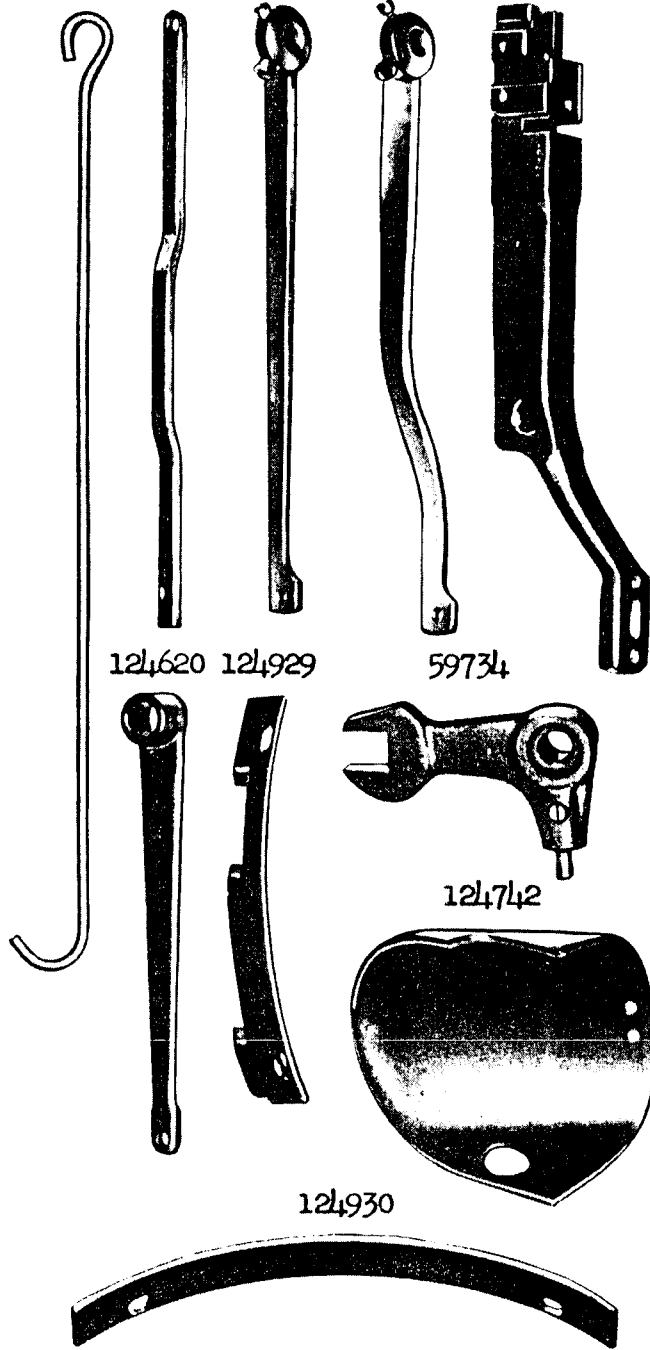


PLATE 9592 - ONE-HALF SIZE

18445 62155

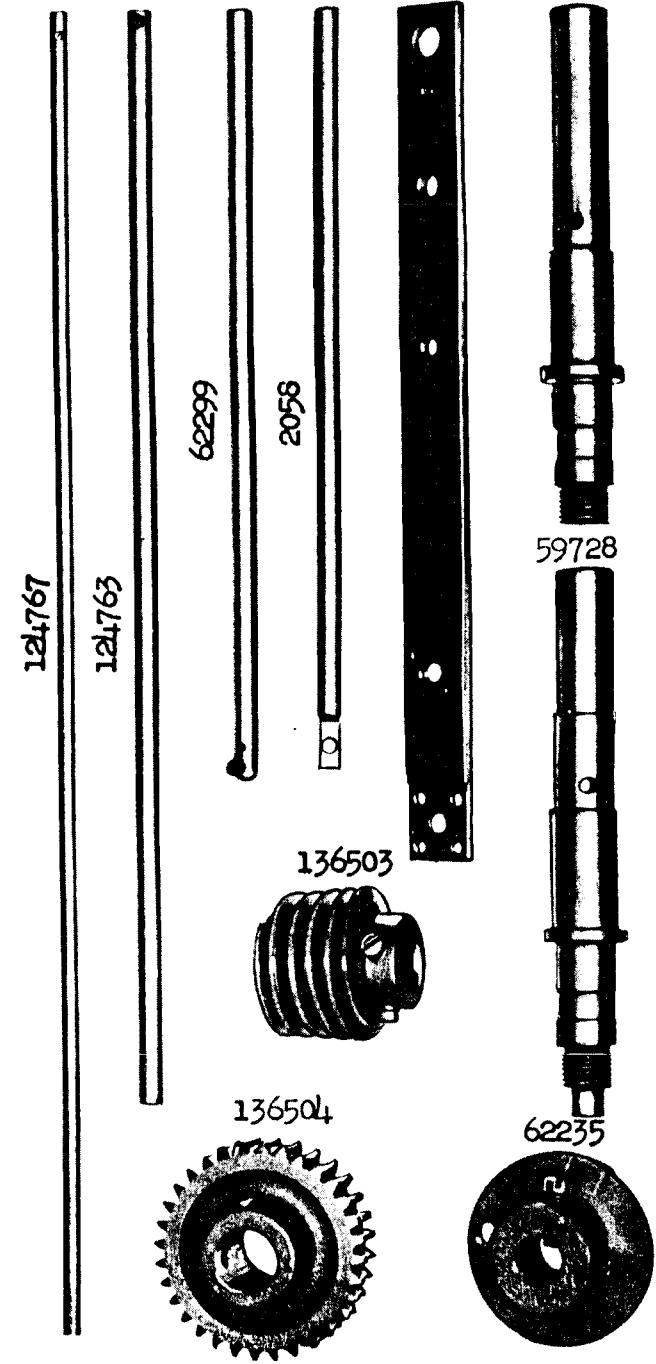


PLATE 9593 - ONE-FOURTH SIZE

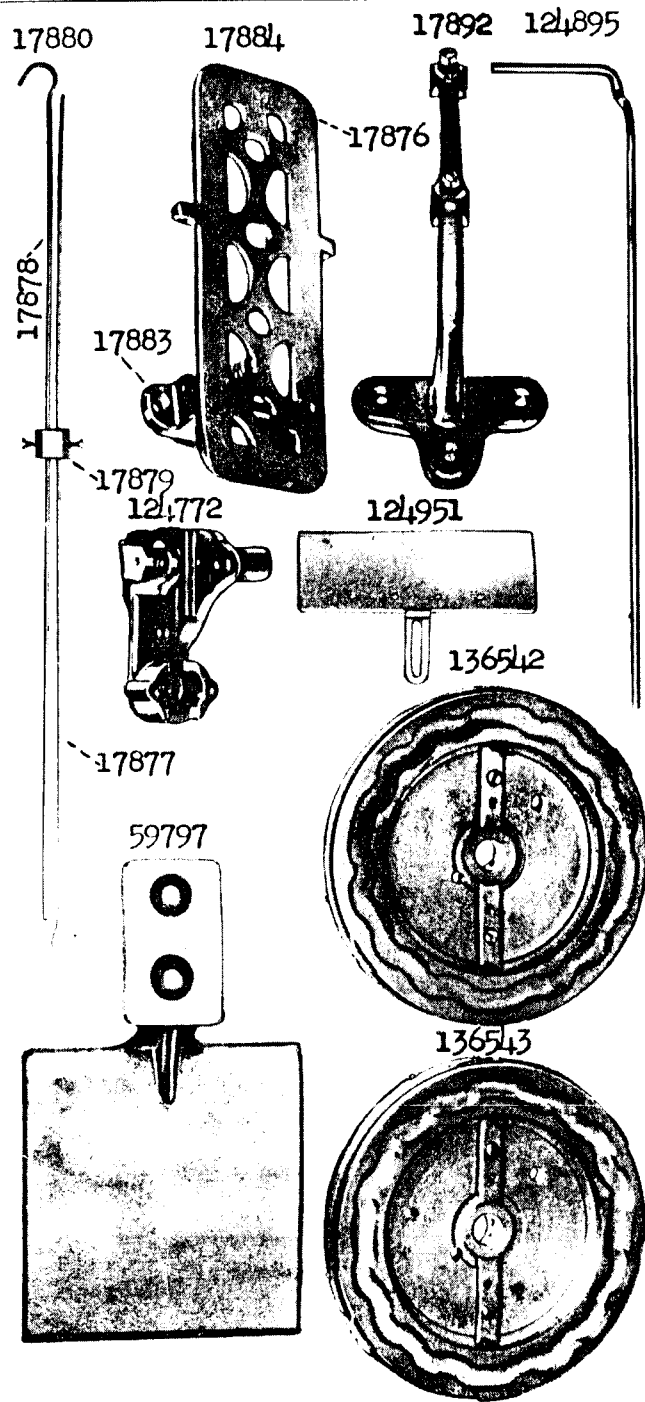


PLATE 20337-ONE-HALF SIZE

