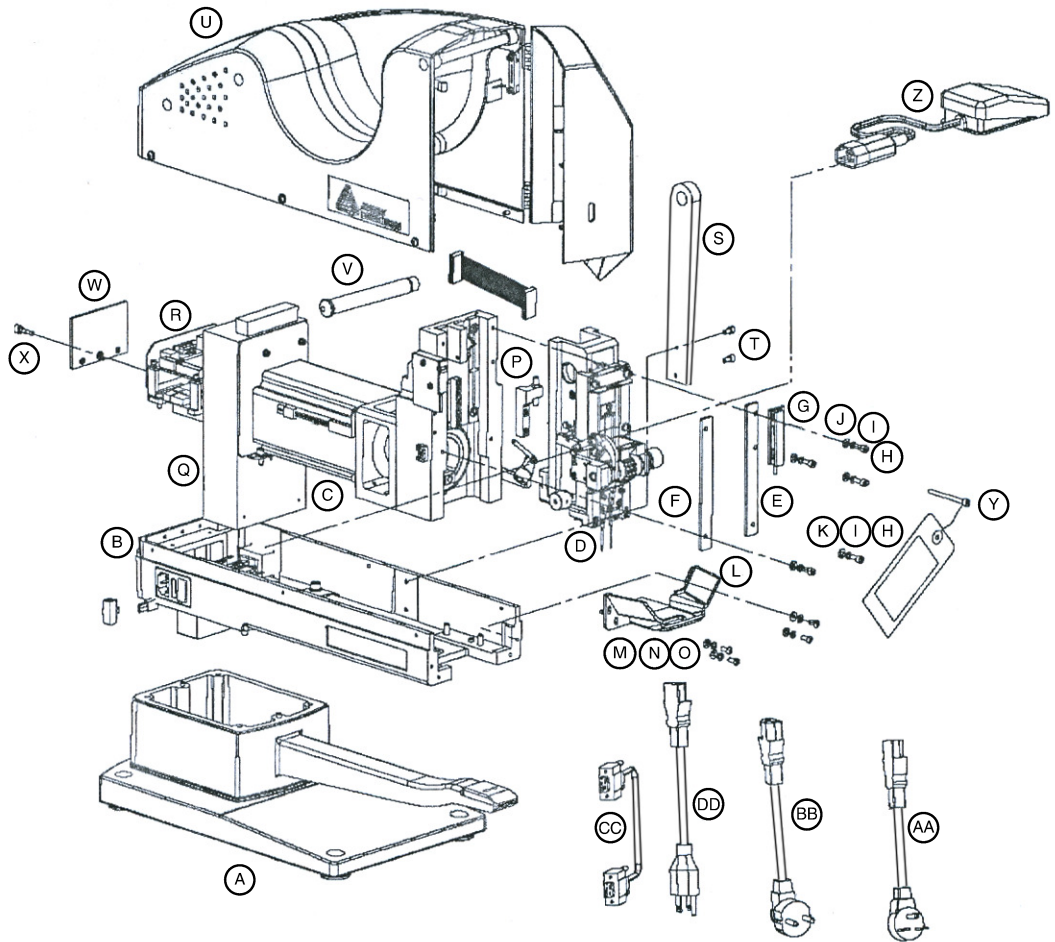


Parts for Avery Dennison ST9500™ Plastic Staple® Attacher — Whole Machine Parts List



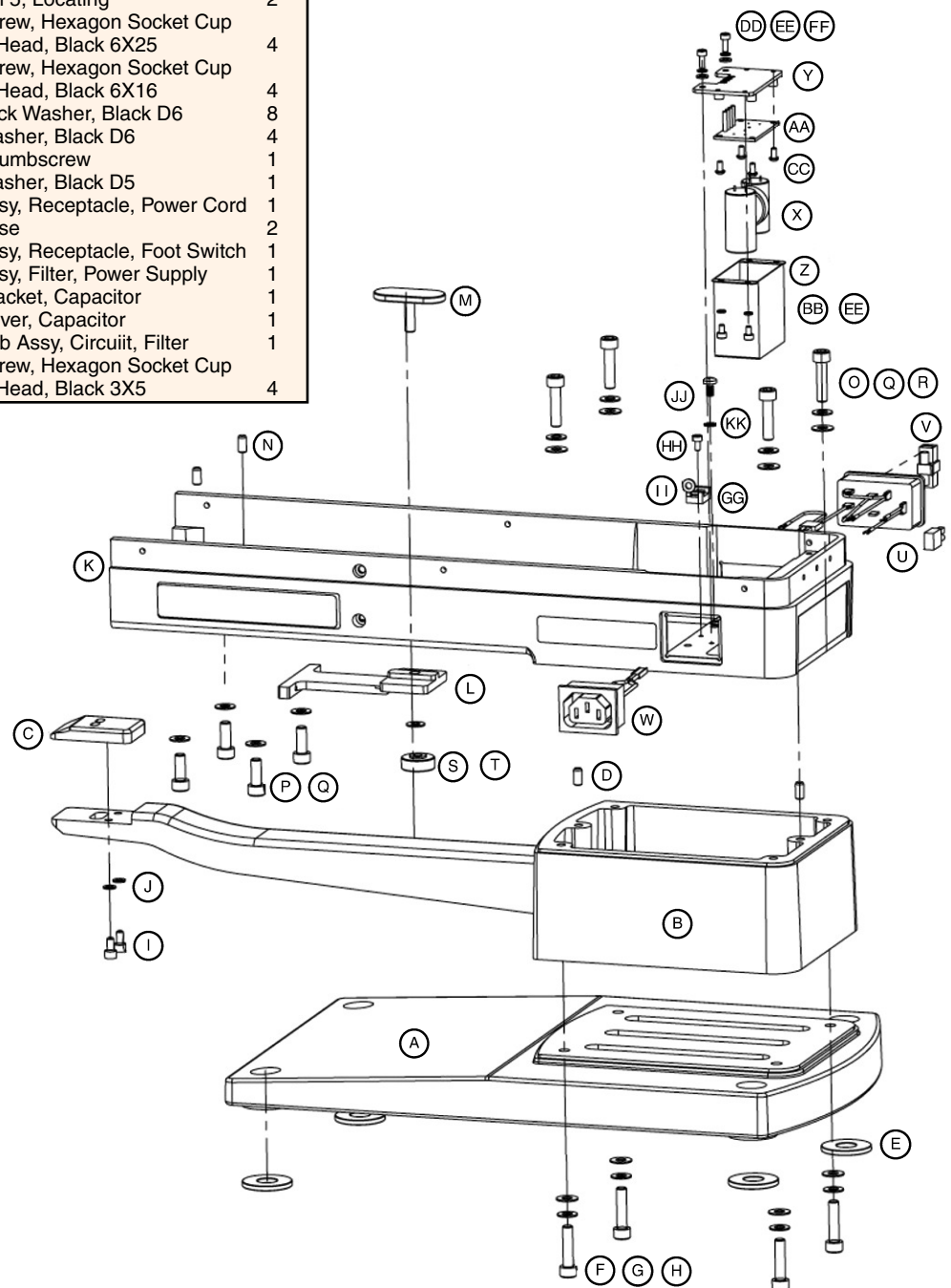
Univ. Number	Part Fig. Number	Description	Qty.
	A	3-06-0002-01 Assy, Base	1
	B	3-06-0003-01 Assy, Body	1
	C	3-06-0006-01 Assy, Motor	1
	D	3-06-0013-01 Assy, Head	1
	E	3-05-0047-01 Clamp, Mount Right	1
	F	3-05-0049-01 Clamp, Mount Left	1
	G	3-06-0022-01 Assy, Hall Sensor	1
	H	140012012101 Washer, Black D4	5
	I	140012008001 Lock Washer, Black D4	5
	J	140001057401 Screw, Hexagon Socket Cup Head, Black 4x12	2
	K	140001001201 Screw, Hexagon Socket Cup Head, Black 4x10	3
	L	3-05-0050-01 Guard, Needle	1
	M	140002010501 Screw, Hexagon Socket Half-Round Head, Stainless Steel 4x10	4
	N	140012012601 Lock Washer D4	4

Univ. Number	Part Fig. Number	Description	Qty.
	O	140012000302 Washer, D4	4
17014	P	3-06-0023-01 Assy, Stop, Feed	1
	Q	3-06-0024-01 Assy, Switch Power Supply	1
	R	3-06-0025-01 Assy, Driver	1
	S	3-05-0065-01 Rod, Support	1
	T	140001057701 Screw, Hexagon Socket Cup Head, Black 4x8	2
	U	3-06-0026-01 Assy, Cover	1
	V	3-05-0064-01 Mandrel, Feed	1
	W	3-05-0066-01 Rear Pad, Standard	1
	X	3-05-0082-01 Screw, Handle	1
	Y	DT0507-001 Shipping Tag & Screw	1
	Z	ST0525-001 Assy, Foot Switch	1
	AA	3-06-0035-01 Assy, Power 220v USA	1
	BB	3-06-0036-01 Assy, Power 220v Europe/Asia	1
	CC	3-06-0037-01 Assy, Wire, COM	1
	DD	3-06-0041-01 Assy, Power 110v USA/Japan	1

Parts for Avery Dennison ST9500™ Plastic Staple® Attacher — Base Assy. and Body Assy. Spare Parts List

Univ. Number	Fig.	Part Number	Description	Qty.
	A	3-05-0001-01	Base	1
	B	3-05-0002-01	Arm, Reactor	1
	C	3-05-0003-01	Plate, Reactor	1
	D	DT0005-001	Pin 5, Locating	2
	E	ST0605-001	Machine Buffer	4
	F	140001022901	Screw, Hexagon Socket Cup Head, Black 6X25	4
	G	140012008601	Washer, Black D6	4
	H	140012008101	Lock Washer, Black D6	4
	I	140001057701	Screw, Hexagon Socket Cup Head, Black 4X8	2
	J	140012008001	Lock Washer, Black D4	2
	K	3-05-004-01	Body	1
	L	3-05-0005-01	Stopper, Fabric	1
	M	3-05-006-01	Slider, Fabric Stopper	1
	N	DT0005-001	Pin 5, Locating	2
	O	140001022901	Screw, Hexagon Socket Cup Head, Black 6X25	4
	P	140001003101	Screw, Hexagon Socket Cup Head, Black 6X16	4
	Q	140012008101	Lock Washer, Black D6	8
	R	140012008601	Washer, Black D6	4
	S	3-05-0094-01	Thumbscrew	1
	T	140012015801	Washer, Black D5	1
	U	3-06-0004-01	Assy, Receptacle, Power Cord	1
17004	V	130028003201	Fuse	2
	W	3-06-0005-01	Assy, Receptacle, Foot Switch	1
	X	3-06-0039-01	Assy, Filter, Power Supply	1
	Y	3-05-0086-01	Bracket, Capacitor	1
	Z	3-05-0087-01	Cover, Capacitor	1
	AA	3-06-0040-01	Sub Assy, Circuit, Filter	1
	BB	140001048702	Screw, Hexagon Socket Cup Head, Black 3X5	4

Univ. Number	Fig.	Part Number	Description	Qty.
	CC	140002011001	Screw, Hexagon Socket Half-Round Head, Stainless Steel 3X6	4
	DD	140001001002	Screw, Hexagon Socket Cup Head, Black 3X8	2
	EE	140012007901	Lock Washer, Black D3	6
	FF	140012012201	Washer, Black D3	2
	HH	130903001401	Tie, Fixer	1
	II	140001000802	Screw, Hexagon Socket Cup Head, Black 3X6	1
	JJ	130901001401	Tie, Self-Clinching Nylon	1
	KK	140002010801	Screw, Half-Round Crossed Head, Stainless Steel 4X8	1
	LL	140012012301	Washer, T-Lock, D4	1

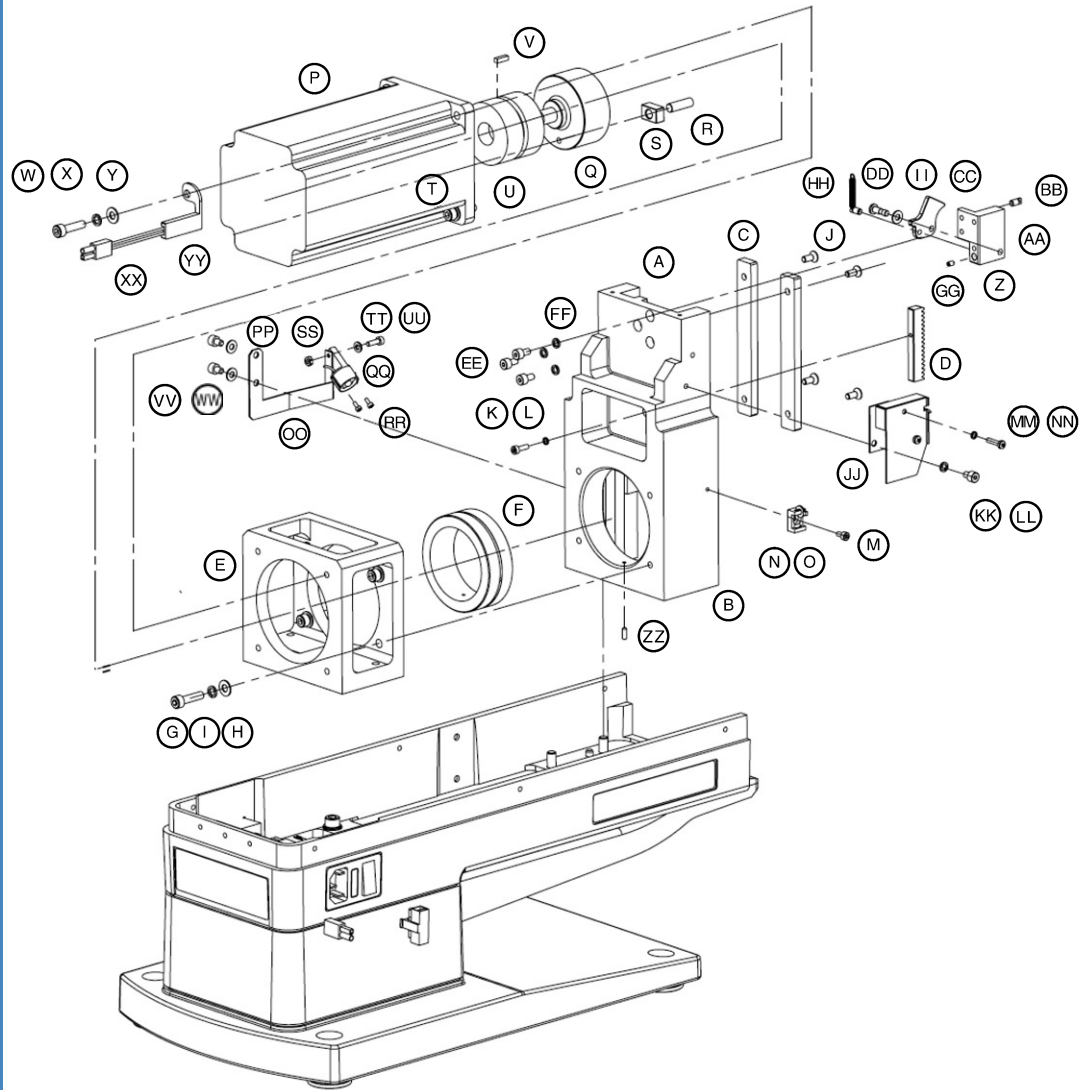


Parts for Avery Dennison ST950™ Plastic Staple® Attacher — Motor Assembly

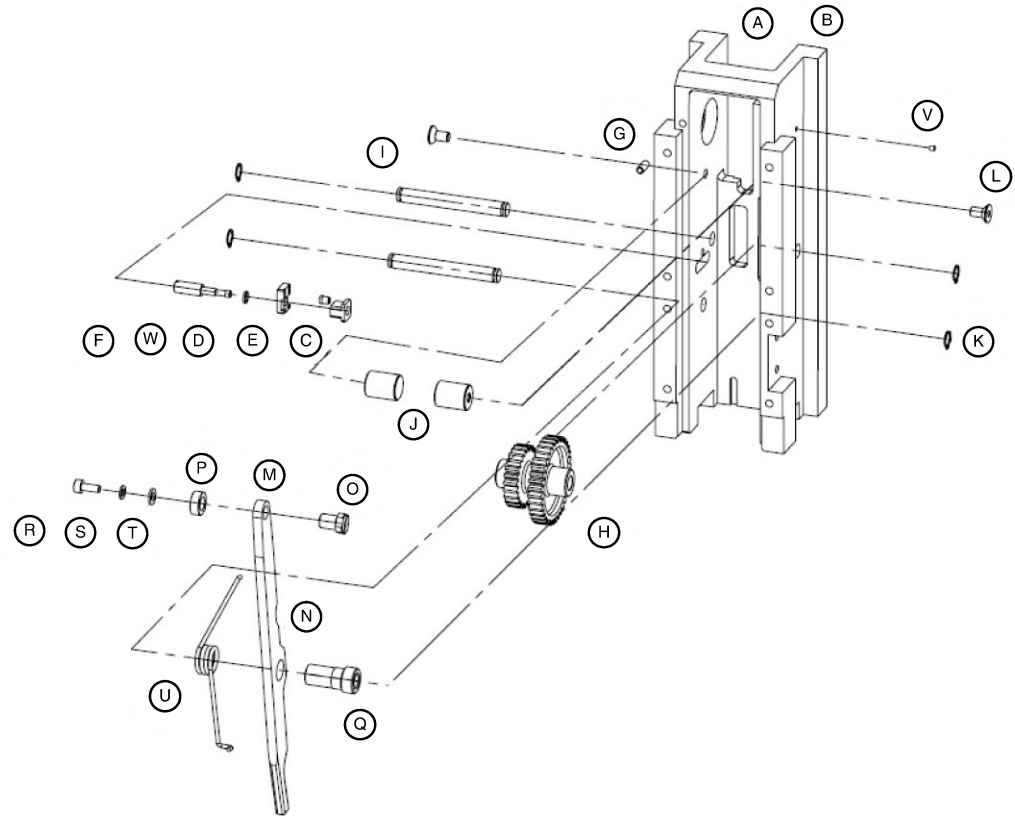
Univ. Number	Part Fig. Number	Description	Qty.
	A	3-06-0007-01 Assy, Mount	1
	B	3-05-0007-01 Mount	1
	C	3-05-0008-01 Wear Strip	2
	D	DT0210-001 Rack-6	1
	E	3-05-0009-01 Holder, Motor	1
	F	110013016301 Bearing, Needle Roller	1
	G	140001002501 Screw, Hexagon Socket Cup Head, Black 5X20	4
	H	140012015801 Washer, Black D5	4
	I	140012010601 Lock Washer, Black D5	4
	J	140003006201 Screw, Hexagon Socket Countersunk Head, Black 4X10	4
	K	140001000302 Screw, Hexagon Socket Cup Head, Black 3X12	1
	L	140012007901 Lock Washer, Black D3	1
	M	140001000802 Screw, Hexagon Socket Cup Head, Black 3X6	1
	N	130903001401 Tie, Fixer	1
	O	130901001401 Tie, Self-Clincing, Nylon	1
	P	3-06-00008-01 Assy, Motor	1
	Q	3-05-0010-01 Ring, Offset	1
	R	DT0222-001 Pin 1, Offset Ring	1
	S	DT0224-001 Bushing, Square	1
	T	130305012301 Step Motor	1
	U	110012006201 Coupling	1
	V	110042000501 Key	1
	W	140001002501 Screw, Hexagon Socket Cup Head, Black 5X20	4
	X	140012015801 Washer, Black D5	4
	Y	140012010601 Lock Washer, Black D5	4
	Z	3-06-0009-01 Assy, Knife Cam	1
	AA	DT0206-001 Support, Knife Cam	1

Univ. Number	Part Fig. Number	Description	Qty.
	BB	DT0163-001 Post, Tension Spring	2
	CC	DT0207-001 Cam, Knife	1
	DD	DT0209-001 Pin, Cam, Knife	1
	EE	140001057701 Screw, Hexagon Socket Cup Head, Black 4X8	3
	FF	140012008001 Lock Washer, Black D4	3
	GG	140004000702 Trip Bolt, Hexagon Socket Head, Black 3X5	1
17002	HH	110016038101 Spring, Pawl	1
	II	140012012101 Washer, Black D4	1
17012	JJ	3-06-0010-01 Assy, Inter Lock Switch	1
	KK	140001057601 Screw, Hexagon Socket Cup Head, Black 4X6	2
	LL	140012008001 Lock Washer, Black D4	2
	MM	140002006502 Screw, Half-Round Crossed Head, Stainless Steel 3X14	2
	NN	140012007901 Lock Washer, Black D3	2
17013	OO	3-06-0011-01 Assy, Lamp	1
	PP	3-05-0011-01 Plate, Lamp	1
	QQ	ST0324-001 Shade, Lamp	1
	RR	140001057101 Screw, Hexagon Socket Cup Head, Stainless Steel 2X5	2
	SS	140011003701 Nut, Hexagon M3	1
	TT	140001000302 Screw, Hexagon Socket Cup Head, Black 3X10	1
	UU	140012012201 Washer, Black D3	1
	VV	140001057601 Screw, Hexagon Socket Cup Head, Black 4X6	2
	WW	140012012101 Washer, Black D4	2
	XX	3-06-0012-01 Assy, Thermal Protector	1
	YY	3-05-0012-01 Holder, Thermal Protector	1
	ZZ	140004029201 Trip Bolt, Hexagon Socket Head, Black 3X8	1

Parts for Avery Dennison ST9500™ Plastic Staple Attacher — Motor Assembly

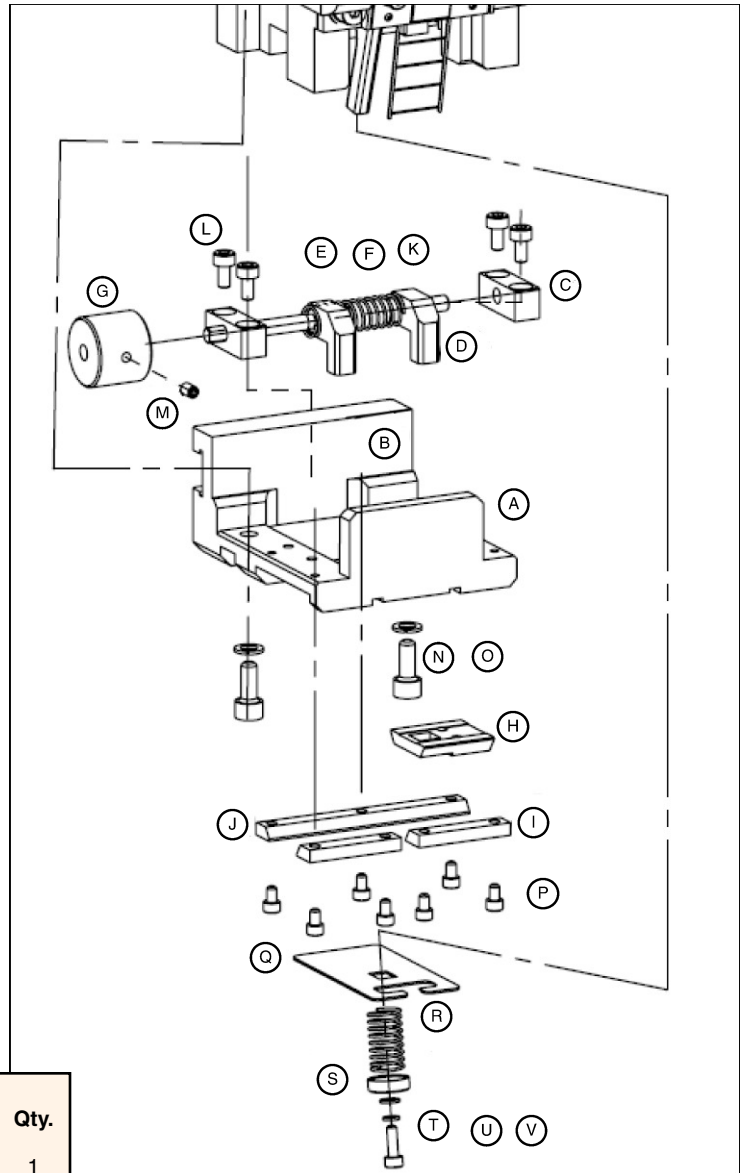


Parts for Avery Dennison ST950™ Plastic Staple® Attacher — Head Subassembly and Knife Lever Assembly



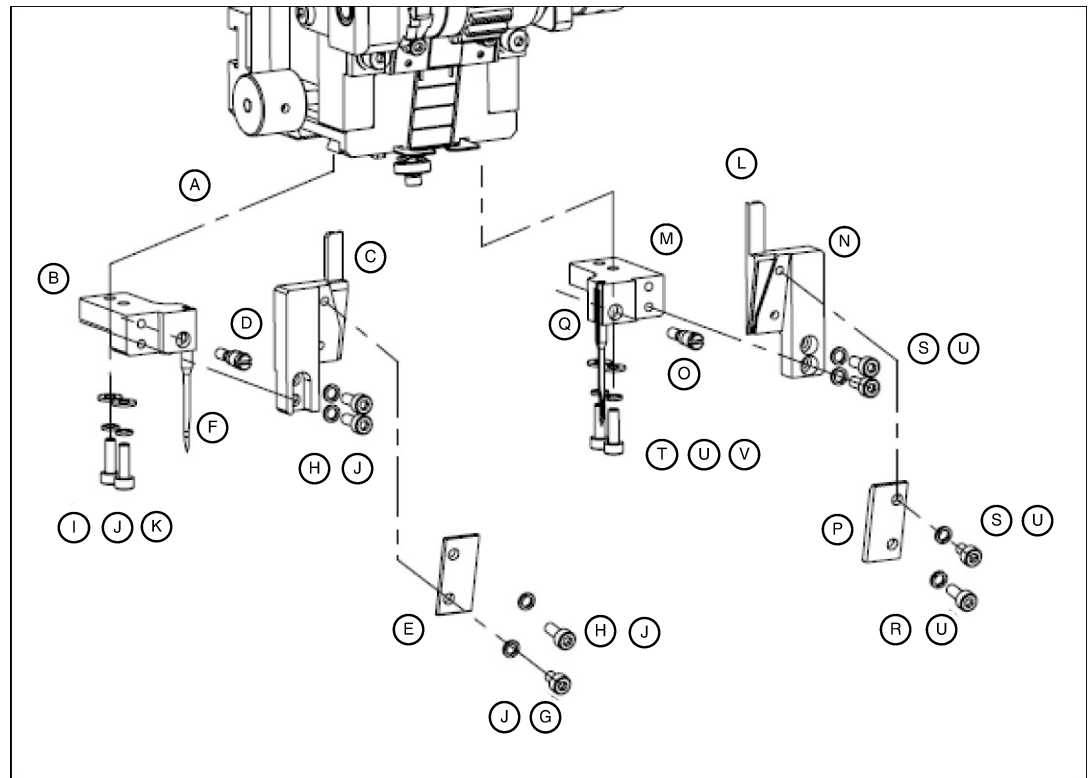
Univ. Number	Part Fig. Number	Part Number	Description	Qty.
	A	3-06-0014-01	Sub Assy, Head	1
	B	3-05-0013-01	Housing	1
	C	3-05-0014-01	Block, Slide, Rear, Shot Mode	1
	D	3-05-0015-01	Block, Slide, Front, Shot Mode	1
	E	110020003101	Ball detent	1
	F	3-05-0016-01	Adjust Rod, Space, Shot Mode	1
	G	110015022401	Pin, Spring	1
	H	DT0108-001	Spur Gears	1
	I	DT0116-001	Shaft, Knife Lever	2
	J	DT0106-001	Guide, Knife Lever	2
	K	110017000101	C Ring, Shaft	4
	L	140003009001	Screw, Hexagon Socket Countersunk Head, Black 4X8	2
	M	3-06-0015-01	Assy, Knife Lever	1
	N	3-05-0017-01	Lever, Knife	1
	O	DT0112-001	Shaft, Knife Roller	1
	P	DT0113-001	Roller, Knife Lever	1
	Q	DT0114-001	Bearing, Knife Lever	1
	R	140001001002	Screw, Hexagon Socket Cup Head, Black 3X8	1
	S	140012007901	Lock Washer, Black D3	1
	T	140012012201	Washer, Black D3	1
17015	U	DT0115-001	Spring, Knife Lever	1
	V	130907000902	Magnet	1
	W	140012007901	Lock Washer, Black D3	1

Parts for Avery Dennison ST9500™ Plastic Staple Attacher — Base, Knife Assembly



Univ. Number	Fig.	Part Number	Description	Qty.
		A	3-06-0016-01 Assy, Base, Knife	1
		B	3-05-0018-01 Base, Knife	1
		C	3-05-0019-01 Support, Shaft	2
		D	3-05-0020-01 Nut, Right	1
		E	3-05-0021-01 Bolt, Adjust	1
		F	3-05-0022-01 Nut, Left	1
		G	3-05-0023-01 Handle, Adjust	1
		H	3-05-0024-01 Block, Guide, V Shape	2
		I	3-05-0025-01 Block, Guide	2
		J	3-05-0026-01 Block, Guide, Long	1
17008		K	3-05-0068-01 Spring, adjust needle space	1
		L	140001000802 Screw, Hexagon Socket Cup Head, Black 3X6	4
		M	140004000702 Trip Bolt, Hexagon Socket Head, Black 3X5	1
		N	140001001201 Screw, Hexagon Socket Cup Head, Black 4X10	2
		O	140012008001 Lock Washer, Black D4	2
		P	140001065401 Screw, Hexagon Socket Cup Head, Black 2.5X4	7
17001		Q	3-05-0027-01 Knife	1
17009		R	3-05-0069-01 Spring, hold knife	1
17007		S	3-05-0028-01 Cover, Spring	1
		T	140001047002 Screw, Hexagon Socket Cup Head, Black 2.5X8	1
		U	140012016201 Lock Washer, D2.5	1
		V	140012016301 Washer, D2.5	1

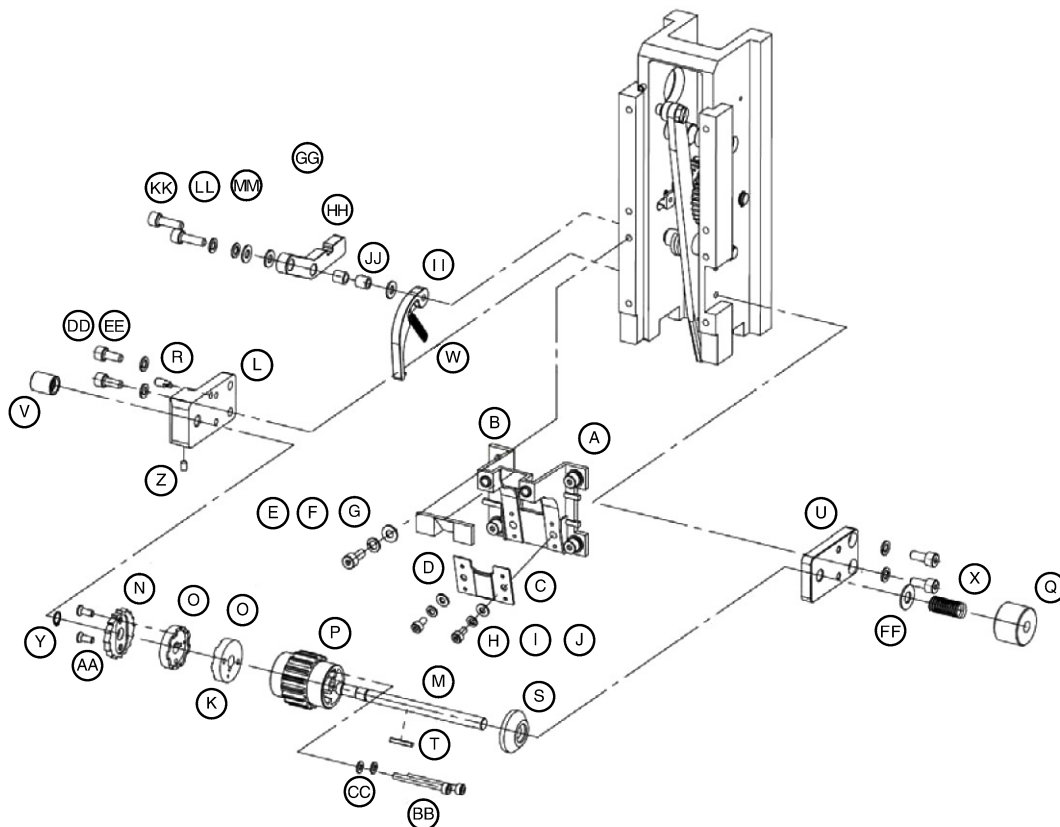
Parts for Avery Dennison ST9500™ Plastic Staple® Attacher — Left and Right Needle Holder Assembly



Univ. Number	Fig.	Part Number	Description	Qty.
	A	3-06-0017-01	Assy, Holder, Needle, Left	1
	B	3-05-0029-01	Holder, Needle, Left	1
	C	3-05-0030-01	Block, Guider, Left	1
	D	3-05-0083-01	Screw, Needle Lock	1
	E	3-05-0078-01	Plate, Rod Block, Left	1
	F	15010-0™	Plastic Staple® Fine Fabric Needle	1
	F	15011-0™	Plastic Staple® Ultra Fine Fabric Needle	1
	G	140001048702	Screw, Hexagon Socket Cup Head, Black 3X5	1
	H	140001001002	Screw, Hexagon Socket Cup Head, Black 3X8	3
	I	140001000302	Screw, Hexagon Socket Cup Head, Black 3X10	2
	J	140012007901	Lock Washer, Black D3	6
	K	140012012201	Washer, Black D3	2
	L	3-06-0018-01	Assy, Holder, Needle, Right	1
	M	3-05-0031-01	Holder, Needle, Right	1
	N	3-05-0032-01	Block, Guider, Right	1
	O	3-05-0083-01	Screw, Needle Lock	1
	P	3-05-0080-01	Plate, Rod Block, Right	1
	Q	15010-0™	Plastic Staple® Fine Fabric Needle	1
	Q	15011-0™	Plastic Staple® Ultra Fine Fabric Needle	1
	R	140001048702	Screw, Hexagon Socket Cup Head, Black 3X5	1
	S	140001001002	Screw, Hexagon Socket Cup Head, Black 3X8	3
	T	140001000302	Screw, Hexagon Socket Cup Head, Black 3X10	2
	U	140012007901	Lock Washer, Black D3	6
	V	140012012201	Washer, Black D3	2

17010

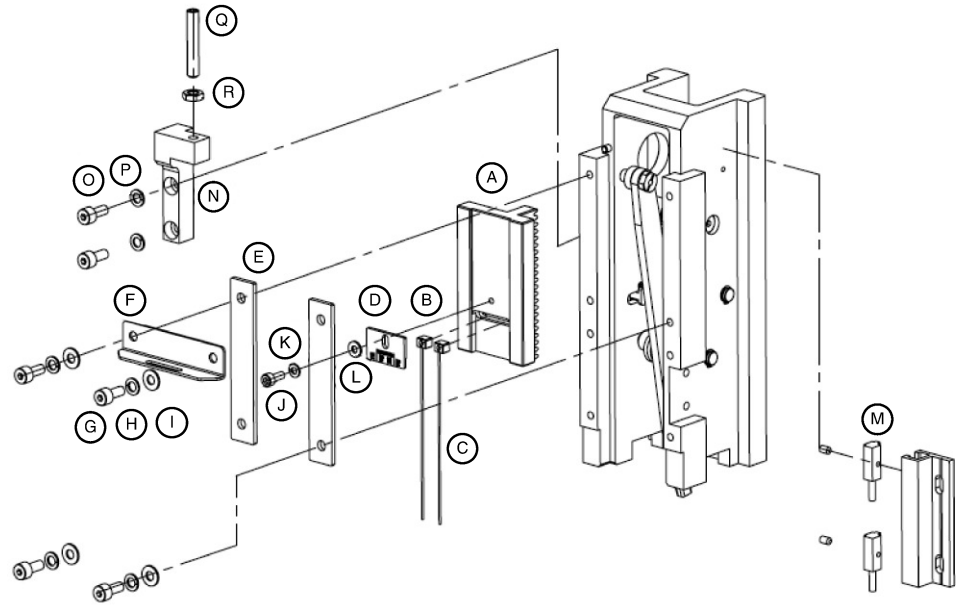
Parts for Avery Dennison ST9500™ Plastic Staple® Attacher — Guide Bar Assy., Feed Assy., and Feed Lever Assy.



Univ. Number	Fig. Part Number	Description	Qty.
A	3-06-0019-01	Assy, Guide Bar	1
B	3-05-0035-01	Guide Bar, Staple	1
C	3-05-0036-01	Plate, Guide	1
D	DT0133-001	Guide, L-shaped Staple	1
E	140001001201	Screw, Hexagon Socket Cup Head, Black 4X10	4
F	140012008001	Lock Washer, Black D4	4
G	140012012101	Washer, Black D4	4
H	140001000802	Screw, Hexagon Socket Cup Head, Black 3X6	2
I	140012007901	Lock Washer, Black D3	2
J	140012012201	Washer, Black D3	2
K	3-06-0020-01	Assy, Feed	1
L	3-05-0037-01	Plate, Support, Left	1
M	3-05-0038-01	Shaft, Feed	1
N	3-05-0039-01	Ratchet, Feed	1
O	3-05-0040-01	Clutch, Feed	2
P	3-05-0041-01	Gear, Feed	1
Q	3-05-0042-01	Handle, Feed	1
R	DT0163-001	Post, Tension Spring	1
S	DT0137-001	Collar, Feed	1
T	DT0140-001	Key	1
U	DT0145-001	Plate, Support, Right	1
V	110013021701	Roller bearing, one way	1

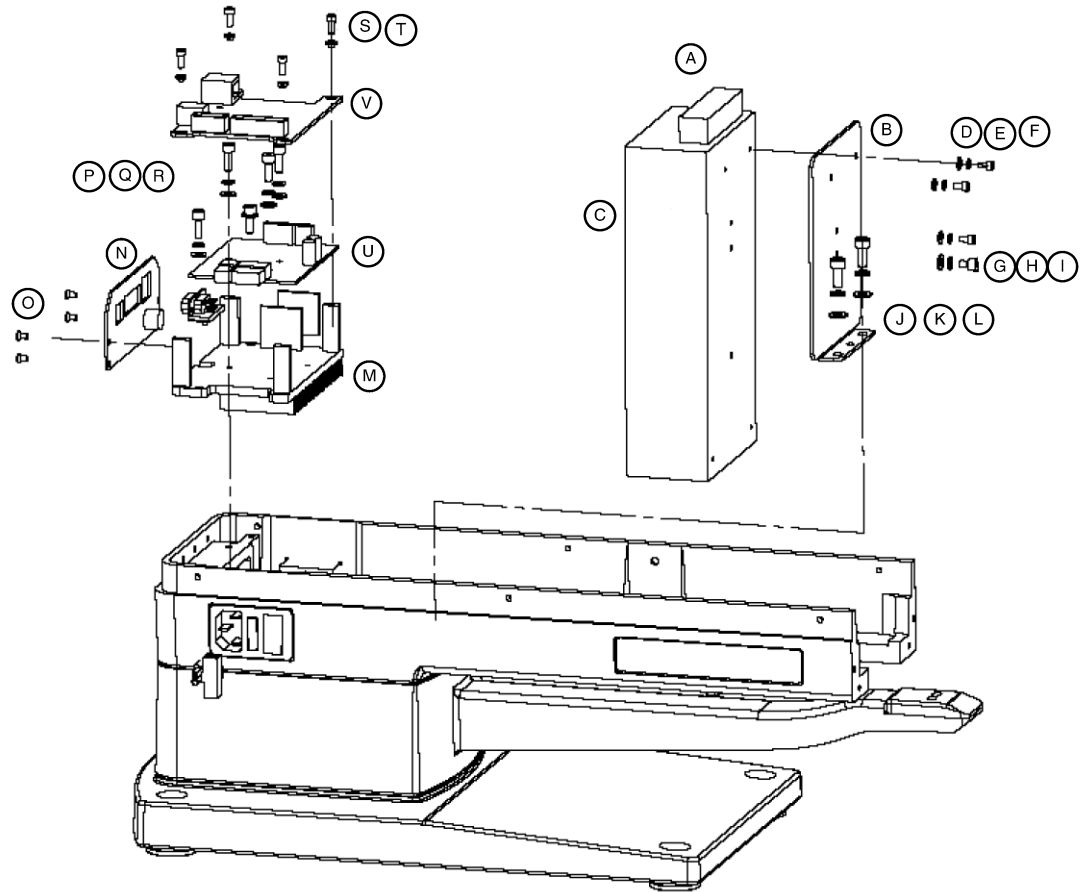
Univ. Number	Fig. Part Number	Description	Qty.
17002	W 110016038101	Spring, Pawl	1
17003	X 110016038201	Spring, Feed	1
	Y 110017000101	C Ring, Shaft	1
	Z 140004000702	Trip Bolt, Hexagon Socket Head, Black 3X5	2
	AA 140003005402	Screw, Hexagon Socket Countersunk Head, Black 3X8	2
	BB 140001000602	Screw, Hexagon Socket Cup Head, Black 3X30	2
	CC 140012007901	Lock Washer, Black D3	2
	DD 140001001201	Screw, Hexagon Socket Cup Head, Black 4X10	4
	EE 140012008001	Lock Washer, Black D4	4
	FF 140012008601	Washer, Black D6	1
	GG 3-06-0021-01	Assy, Lever Feed	1
	HH 3-05-0043-01	Lever, Feed	1
	II 3-05-0044-01	Pawl, Feed	1
	JJ DT0156-001	Spacer 6	2
	KK 140001063901	Screw, Hexagon Socket Cup Head, Black 4X14	2
	LL 140012012101	Washer, Black D4	3
	MM 140012008001	Lock Washer, Black D4	2

Parts for Avery Dennison ST950™ Plastic Staple® Attacher — Hall Sensor Assy., Feed Stop Assy. and other Parts



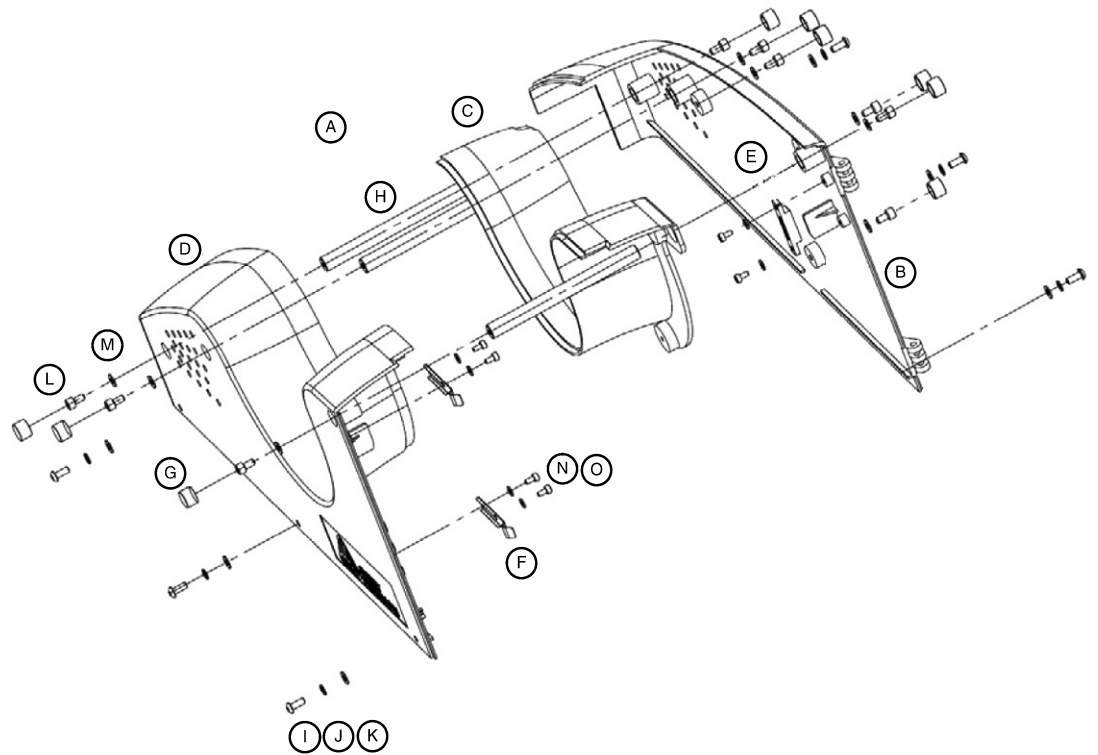
Univ. Number	Part Fig. Number	Part Number	Description	Qty.
	290	3-05-0033-01	Ejector Slide	1
	291	3-05-0045-01	Slide, Ejector	2
	292	7-60-2733-01	Rod, Ejector	2
	293	3-05-0046-01	Plate, Scale	1
	294	3-05-0081-01	Plate, Screw	2
	295	3-05-0034-01	Entrance, Staple	1
	296	140001001201	Screw, Hexagon Socket Cup Head, Black 4X10	4
	297	140012012101	Washer, Black D4	4
	298	140012008001	Lock Washer, Black D4	4
	299	140001001002	Screw, Hexagon Socket Cup Head, Black 3X8	1
	300	140012007901	Lock Washer, Black D3	1
	301	140012012201	Washer, Black D3	1
	304	630HAL0512	Hall sensor	2
	307	3-05-0067-01	Stop, Feed	1
	308	140001001201	Screw, Hexagon Socket Cup Head, Black 4X10	2
	309	140012008001	Lock Washer, Black D4	2
	310	140004028901	Trip Bolt, Hexagon Socket Cup Head, Black 5X30	1
	311	140011005801	Nut, Hexagon, Black M5	1

Parts for Avery Dennison ST9500™ Plastic Staple® Attacher — Switch Power Supply Assy. and Driver Assy.



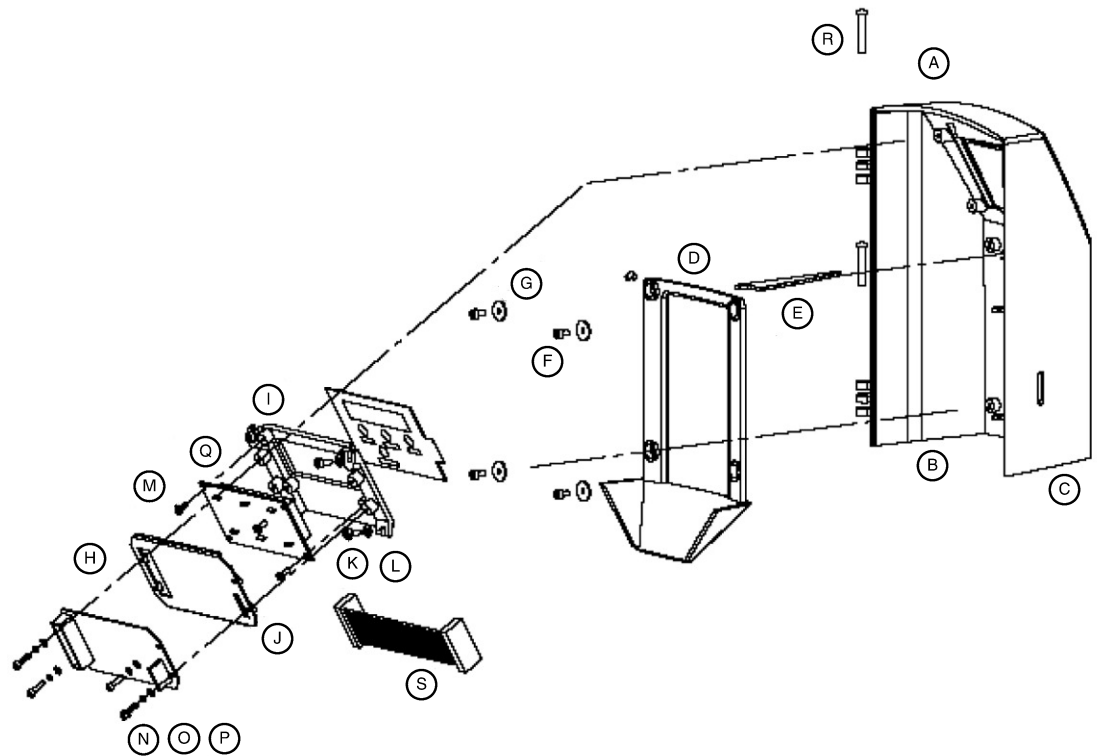
Univ. Number	Fig.	Part Number	Description	Qty.	
17005		A	Bracket, Power	1	
		B	3-05-0051-01 Bracket, Power	1	
		C	130036006201 Power Supply, Switching	1	
		D	140001000802 Screw, Hexagon Socket Cup Head, Black 3X6	3	
		E	140012007901 Lock Washer, Black D3	3	
		F	140012012201 Washer, Black D3	3	
		G	140001057601 Screw, Hexagon Socket Cup Head, Black 4X6	1	
		H	140012012101 Washer, Black D4	1	
		I	140012008001 Lock Washer, Black D4	1	
		J	140001057801 Screw, Hexagon Socket Cup Head, Black 5X12	2	
		K	140012015801 Washer, Black D5	2	
		L	140012010601 Lock Washer, Black D5	2	
		M	3-05-0052-01 Holder, Driver	1	
		N	3-06-0042-01 Assy, Rear Panel	1	
		O	140003005302 Screw, Hexagon Socket Countersunk Head, Black 3X6	4	
	17006		P	140001057401 Screw, Hexagon Socket Cup Head, Black 4X12	3
			Q	140012012101 Washer, Black D4	3
		R	140012008001 Lock Washer, Black D4	3	
		S	140001001002 Screw, Hexagon Socket Cup Head, Black 3X8	4	
		T	130907001101 Dielectric, washer	4	
		U	130306006401 Driver, Step Motor	1	
		V	630ESC0108 Controller, Step Motor, Ethernet	1	

Parts for Avery Dennison ST9500™ Plastic Staple Attacher — Cover R & L Assy.



Univ. Number	Part Fig. Number	Part Number	Description	Qty.
	A	3-06-0027-01	Assy, Cover R & L	1
	B	3-05-0055-01	Cover, Left	1
	C	3-05-0056-01	Cover, Top	1
	D	3-05-0057-01	Cover, Right	1
	E	3-05-0058-01	Board, Wire	1
	F	DT0018-001	Spring, Front Door	2
	G	3-05-0088-01	Cover, Screw	9
	H	3-05-0085-01	Shaft, Cover	3
	I	140002010501	Screw, Hexagon Socket Half-Round Head, Stainless Steel 4X10	6
	J	140012012601	Lock Washer, D4	6
	K	140012000302	Washer, D4	6
	L	140001057701	Screw, Hexagon Socket Cup Head, Black 4X8	9
	M	140012012101	Washer, Black D4	9
	N	140001000802	Screw, Hexagon Socket Cup Head, Black 3X6	6
	O	140012012201	Washer, Black D3	6

Parts for Avery Dennison ST9500™ Plastic Staple Attacher — Door Enclosure Assy.



Univ. Number	Fig. Part Number	Description	Qty.
	A 3-06-0028-01	Assy, Door Enclosure	1
	B 3-06-0029-01	Assy, Cover, Front	1
	C 3-05-0059-01	Cover, Front	1
	D 3-05-0060-01	Door, Needle Guard	1
	E 3-05-0084-01	Piece, Front Door	1
	F 140001000802	Screw, Hexagon Socket Cup Head, Black 3X6	4
	G DT0028-001	Washer, 3X12	4
	H 3-06-0030-01	Assy, Panel	1
	I 3-05-0061-01	Board, Support	1
	J 3-05-0090-01	Cover, PCB	1
	K 140001001002	Screw, Hexagon Socket Cup Head, Black 3X8	4
	L 140012012201	Washer, Black D3	4
	M 140002013401	Screw, Half-Round Crossed Head, Stainless Steel 2.5X6	4
	N 140001052001	Screw, Hexagon Socket Cup Head, Stainless Steel 2.5X10	4
	O 140012016201	Lock Washer, D2.5	4
	P 140012016301	Washer, D2.5	4
	Q 3-06-0031-01	Assy, LCD	1
	R 140010000501	Rivet, Aluminum 4X24	2
	S 3-06-0032-01-1	Assy, Panel Wires	1