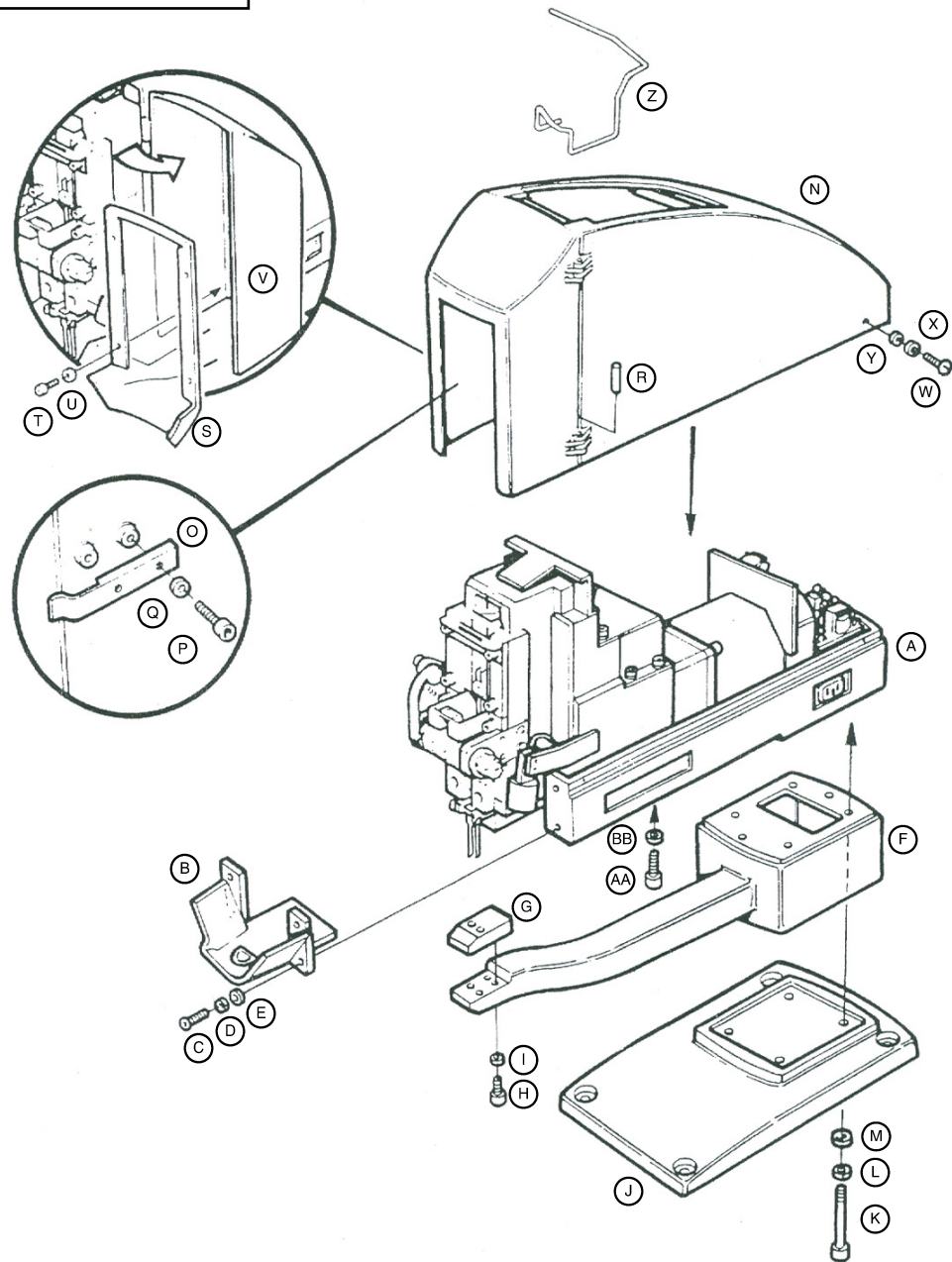


# Parts for Avery Dennison ST9000™ Plastic Staple® Attacher — New Style — Enclosure, Frame and Reactor

**Note:** New style ST9000 have the Style Number 10646-1, which is printed on the machine.

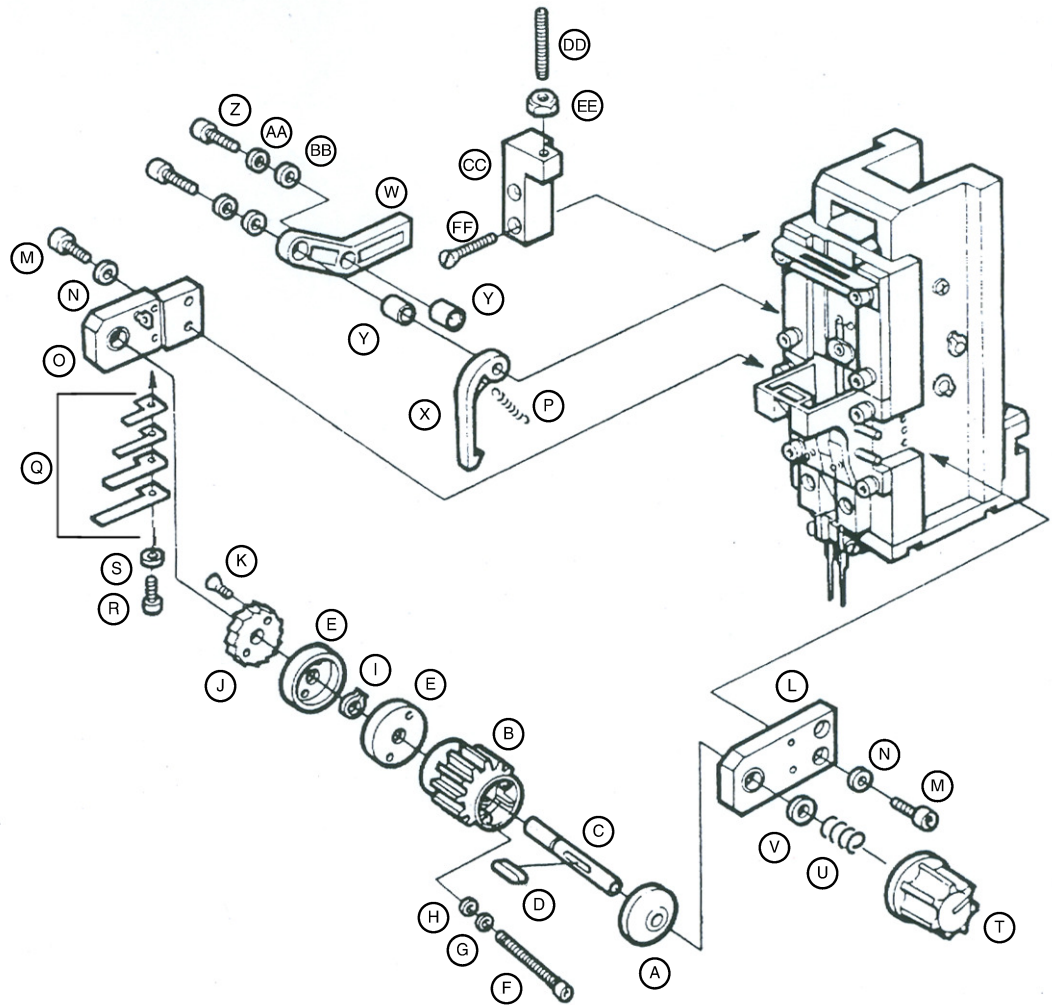


Univ. Number	Fig.	Part Number	Description	Qty.
16010	A	ST0002-001	Assembly, frame	1
	B	DT0007-001	Needle guard	1
	C	DT0029-001	Button screw M4x8	4
	D	028040-242	Lock washer D4	4
	E	026040-136	Washer D4	4
	F	DT0008-001	Assembly, reactor arm	1
	G	DT0010-001	Reactor plate	1
	H	018400-831	Screw M4x8	2
	I	028040-242	Lock washer D4	2
	J	DT0012-001	Base	1
	K	018089-531	Screw M8x95mm	4
	L	028080-242	Lock washer D8	4
	M	025080-132	Washer D8	4
	N	DT0013-001	Assembly, enclosure	1

Univ. Number	Fig.	Part Number	Description	Qty.
16011	O	DT0018-001	Spring, front door	1
	P	140001057701	Screw M4x8mm	2
	Q	140012012198	Lock washer D4	2
	R	DT0022-001	Pin, hinge	2
16012	S	DT0027-001	Door, needle guard	1
	T	018300-631	Screw M3x6mm	4
	U	DT0028-001	Washer M3x12	4
	V	DT0024-001	Assembly, Door, enclosure	1
16013	W	DT0029-001	Button screw M4x8	4
	X	028040-242	Lock washer D4	4
	Y	026040-136	Washer D4	4
	Z	DT0030-001	Reel support	1
	AA	018061-531	Screw M6x15mm	4
	BB	028060-242	Lock washer D6	4

# Parts for Avery Dennison ST9000™ Plastic Staple® Attacher — New Style — Head — External Parts 1

**Note:** New style ST9000 have the Style Number 10646-1, which is printed on the machine.

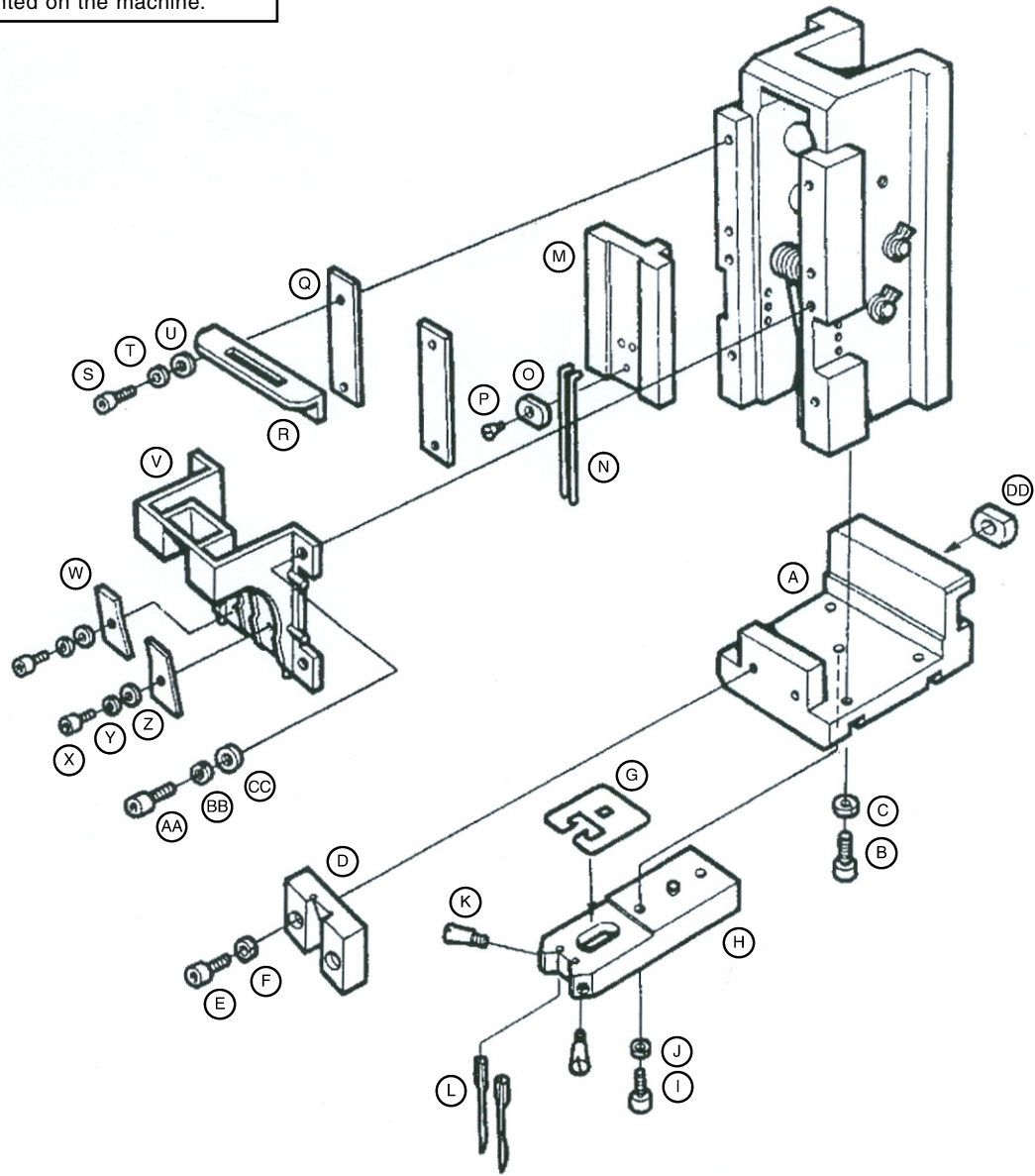


Univ. Number	Fig.	Part Number	Description	Qty.
		A	DT0137-001 Feed collar	1
<b>16032</b>		B	DT0138-001 Feed gear	1
		C	DT0139-001 Feed shaft	1
		D	DT0140-001 Key	1
<b>16036</b>		E	DT0141-001 Clutch, ratchet	2
		F	018303-031 Screw M3 x 30mm	2
		G	026030-232 Washer D3	2
		H	028030-242 Lock washer D3	2
		I	048060-142 C-ring 6	1
		J	DT0143-001 Feed ratchet	1
<b>16025</b>		K	DT0158-001 Screw M3 x 8mm	2
		L	DT0145-001 Assembly, support plate right	1
		M	018401-031 Screw M4x10mm	4
		N	028040-242 Lock washer D4	4
		O	DT0147-001 Assembly, support plate left	1
		P	DT0149-001 Pawl spring	1
<b>16023</b>		Q	DT0150-001 Anti-back, ratchet (welded together as one piece)	1

Univ. Number	Fig.	Part Number	Description	Qty.
<b>16037</b>		R	018300-631 Screw M3 x 6mm	1
		S	028030-242 Lock washer D3	1
		T	DT0151-001 Feed knob	1
		U	DT0152-001 Feed spring	1
		V	025060-232 Washer D6	1
		W	DT0154-001 Feed lever	1
<b>16024</b>		X	DT0155-001 Feed pawl	1
		Y	DT0156-001 Spacer 6	2
		Z	018401-231 Screw M4 x 12mm	2
		AA	028040-242 Lock washer D4	2
		BB	026040-136 Washer D4	2
		CC	DT0212-001 Feed stop	1
		DD	012502-531 Screw M5 x 25mm	1
		EE	021500-305 Nut M5	1
<b>16034</b>		FF	DT0229-001 Screw M4 x 20mm	2

# Parts for Avery Dennison ST9000™ Plastic Staple® Attacher — New Style — Head — External Parts 2

**Note:** New style ST9000 have the Style Number 10646-1, which is printed on the machine.

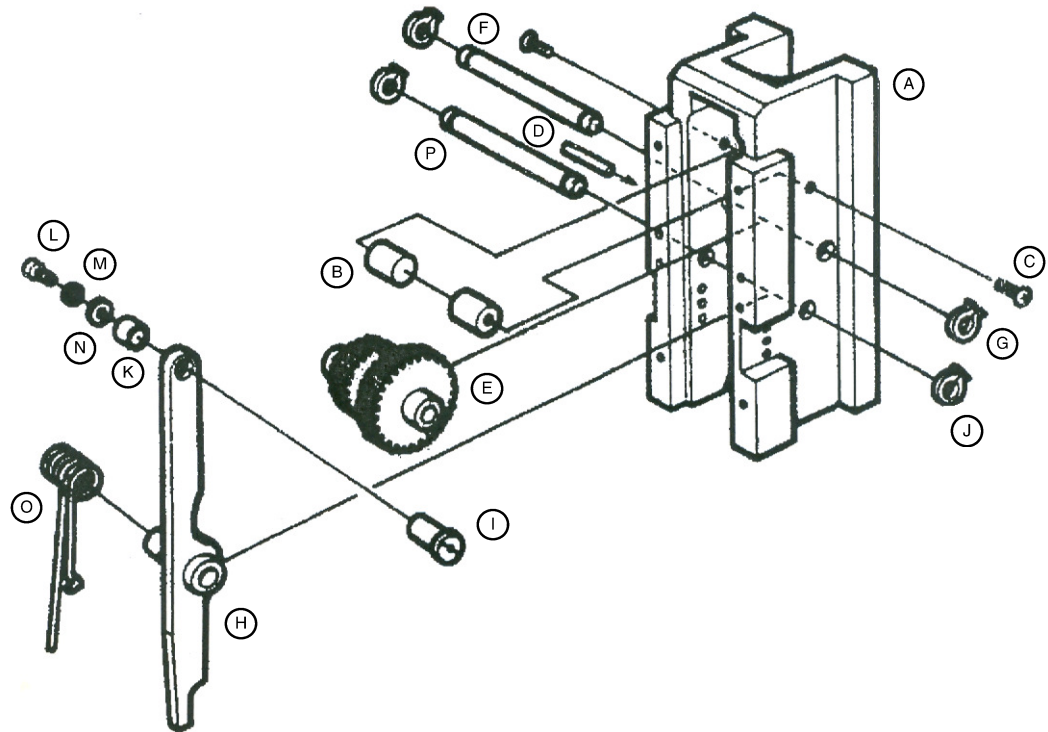


Univ. Number	Fig.	Part Number	Description	Qty.
16015	A	DT0117-001	Block, needle holder	1
	B	018401-031	Screw M4 x 10mm	4
	C	028040-242	Lock washer D4	4
16016	D	DT0118-001	Knife block	1
	E	018400-831	Screw M4 x 8mm	2
	F	028040-242	Lock washer D4	2
	G	ST0119-001	Knife	1
16017	H	ST0120-001	Assembly, needle holder	1
	I	018401-231	Screw M4 x 15mm	2
	J	028040-242	Lock washer D4	2
16018	K	DT0122-001	Screw, needle lock	2
	L	7-60-4508-01	Needles, Plastic Staple™ Fine Fabric™	2
	M	DT0125-001	Ejector slide	1
16003	N	7-60-2733-01	Ejector rod	2
	O	DT0128-001	Ejector rod washer	1

Univ. Number	Fig.	Part Number	Description	Qty.
16025	P	DT0158-001	Screw M3 x 8mm	1
	Q	DT0129-001	Screw plate	2
	R	DT0130-001	Upper feed guide	1
	S	DT0159-001	Button screw M4 x 10mm	4
	T	026040-136	Washer D4	4
	U	028040-242	Lock washer D4	4
16020	V	DT0131-001	Assembly, feed guide	1
16021	W	DT0135-001	Guide plate	2
	X	018300-631	Screw M3 x 6mm	2
	Y	028030-242	Lock washer D3	2
	Z	026030-232	Washer D3	2
	AA	018400-831	Screw M4 8mm	4
	BB	026040-136	Washer D4	4
	CC	028040-242	Lock washer D4	4
	DD	DT0224-001	Bushing, crank	1

# Parts for Avery Dennison ST9000™ Plastic Staple® Attacher — New Style — Head — Internal Parts

**Note:** New style ST9000 have the Style Number 10646-1, which is printed on the machine.

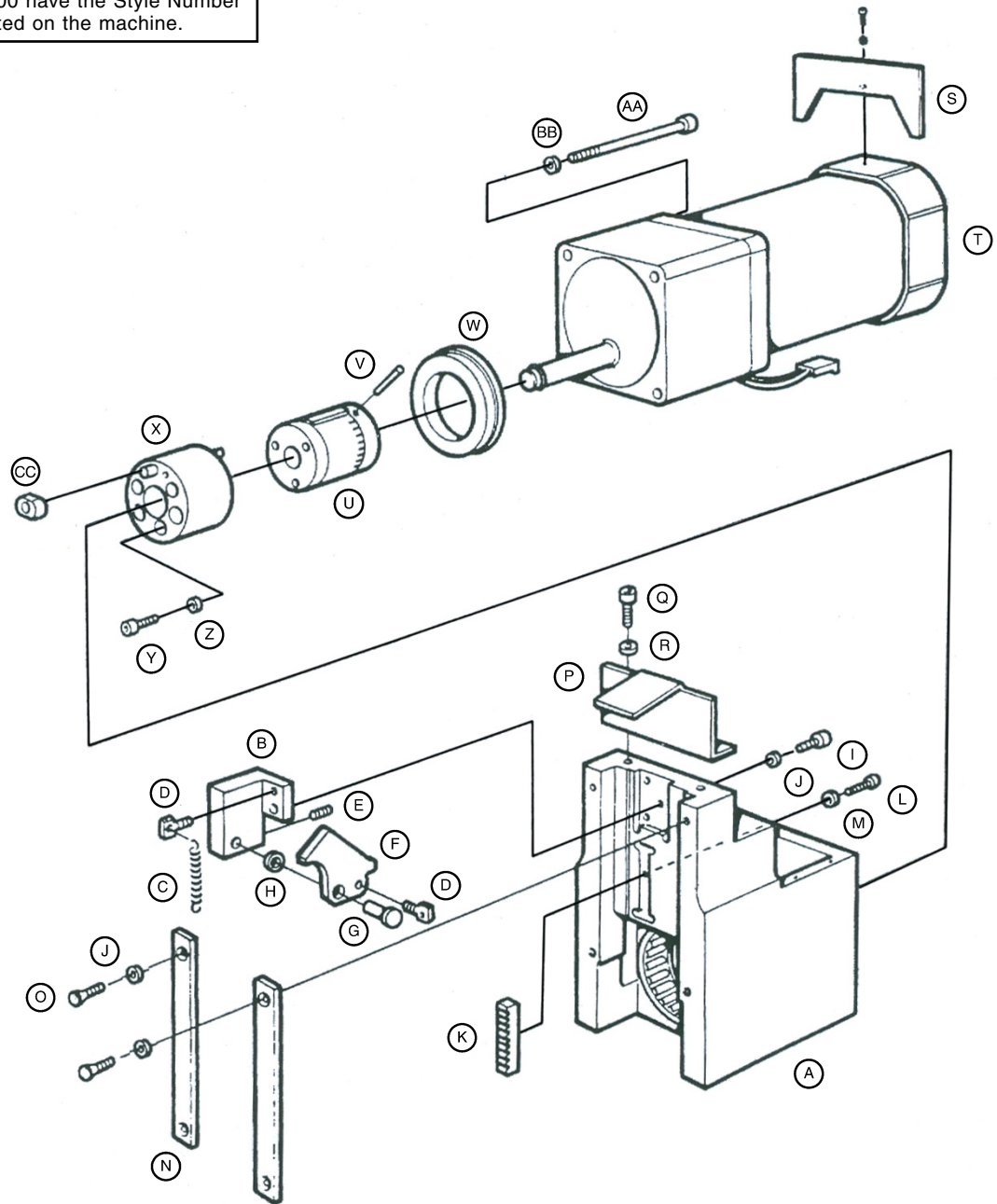


Univ. Number	Fig.	Part Number	Description	Qty.
	A	DT0103-001	Housing	1
	B	DT0106-001	Guide, knife lever	2
	C	140003009001	Screw M4 x 8mm	2
	D	047301-842	Spring pin 3	1
16014	E	DT0108-001	Gear, ejector	1
	F	DT0116-001	Shaft	1
	G	048060-142	C-Ring 6	2
	H	DT0110-001	Assembly, knife lever	1
	I	DT0112-001	Shaft, knife roller	1
	J	048060-142	C-Ring 6	2
	K	DT0113-001	Knife roller	1
	L	018300-831	Screw M3 x 8mm	1
	M	028030-242	Lock washer D3	1
	N	026030-232	Washer D3	1
17015	O	DT0115-001	Spring, knife lever	1
	P	DT0116-001	Shaft, knife lever	1



# Parts for Avery Dennison ST9000™ Plastic Staple® Attacher — New Style — Motor and Drive Train

**Note:** New style ST9000 have the Style Number 10646-1, which is printed on the machine.



Univ. Number	Fig.	Part Number	Description	Qty.
		A	ST0202-001 Subassembly, mount	1
16022		B	DT0206-001 Support, knife cam	1
		C	DT0149-001 Pawl spring	1
		D	DT0163-001 Spring post	2
		E	012300-531 Screw M3 x 5mm	1
16033		F	DT0207-001 Knife cam	1
		G	DT0209-001 Shaft, knife cam	1
		H	026040-136 Washer D4	1
		I	018401-031 Screw M4 x 10mm	3
		J	028040-242 Lock washer D4	3
		K	DT0210-001 Rack, stationary	1
		L	018300-831 Screw M3 x 10mm	1
		M	028030-242 Lock washer D3	1
		N	DT0211-001 Mount clamp	2
		O	140001057701 Screw M4 x 8mm	4

Univ. Number	Fig.	Part Number	Description	Qty.
		P	DT0231-001 Bracket, front safety	1
		Q	018300-831 Screw M3 x 8mm	2
		R	028030-242 Lock washer D3	2
		S	ST0232-001 Bracket, rear safety	1
		T	ST0216-001 Assembly, motor 220V	1
16026		U	ST0218-001 Clutch	1
		V	047503-642 Spring pin 5x36	1
		W	ST0219-001 Ring, motor support	1
		X	ST0220-001 Assembly, crank arm	1
		Y	018501-231 Screw M5 x 12mm	3
		Z	028050-242 Lock washer D5	3
		AA	140001057901 Screw M6 x 65mm	4
		BB	028060-242 Lock washer D6	4
		CC	DT0224-001 Bushing, crank	1