

FORM 18638
JULY, 1933
PRINTED IN U. S. A.

LIST OF PARTS



MACHINE No. 81-63

THE SINGER MANUFACTURING COMPANY

COPYRIGHT, U. S. A.,
1922, 1932 AND 1933,
BY THE SINGER MANUFACTURING CO.
ALL RIGHTS RESERVED FOR ALL COUNTRIES

INSTRUCTIONS FOR OILING

BEFORE STARTING THE MACHINE apply Singer Cloth and Leather Oil to the oil cup in the bed of the machine until the reservoir is full. Also fill the oil cup at the top of the machine and thoroughly saturate the wick in the casting near the top of the needle bar. Then oil the needle bar link connection at the front of the machine, also the knife lever and presser lever bearings at the back of the machine.

THEREAFTER, replenish the oil supply in the reservoir about once each day, or often enough to keep it filled. Twice a day apply oil to the remainder of the oiling points.

INDEX

| | PAGE |
|---|------|
| ACCESSORIES..... | 10 |
| BENCH STAND..... | 15 |
| FOOT LIFTER PARTS..... | 17 |
| KNEE LIFTER PARTS..... | 18 |
| MACHINE NO. 81-63..... | 7 |
| “ BASE..... | 16 |
| NUMERICAL LIST OF PARTS..... | 21 |
| PARTS REQUIRED FOR THREE-THREAD STITCH..... | 15 |
| THREAD UNWINDER..... | 19 |

INSTRUCTIONS FOR ORDERING

In ordering from this list, use **ONLY** the part NUMBER in the **FIRST** column.

The number stamped on a Sewing Machine Part is in every case the number of the single part only.

Every combination of parts sent out as such has its specific number, which, although not stamped on the parts, must be used when ordering the combination.

Each number always indicates the **SAME PART** in whatever list it appears, or for whatever machine.

The letters after some of the numbers indicate the style of finish only, as follows:

- A—Hardened, Polished, Nickel Plated and Buffed
- B—Polished, Nickel Plated and Buffed
- C—Hardened Only
- D—Polished Only
- E—Soft, Not Polished
- F—Hardened and Polished
- H—Blued
- J—Nickel Plated Only
- K—Hardened and Nickel Plated
- L—Brass Plated
- M—Oxidized
- N—Japanned, Dull
- P—Japanned, Bright
- R—Merlized
- T—Copper Plated
- T. A.—Hardened, Polished, Copper and Nickel Plated and Buffed
- T. B.—Copper and Nickel Plated and Polished
- T. J.—Copper and Nickel Plated Only
- T. K.—Hardened, Copper and Nickel Plated
- T. M.—Copper Plated and Oxidized
- T. L.—Copper and Brass Plated
- U—Zinc Plated
- V—Silver Plated
- W—Polished and Nickel Plated
- Y—Black Nickel Plated Only
- Z—Chromium Plated
- Z. B.—Polished, Nickel Plated, Buffed and Chromium Plated
- Z. J.—Nickel and Chromium Plated

These letters **MUST BE USED** when they appear in the list; and **AFTER** the number **as** in the list.

In this series:

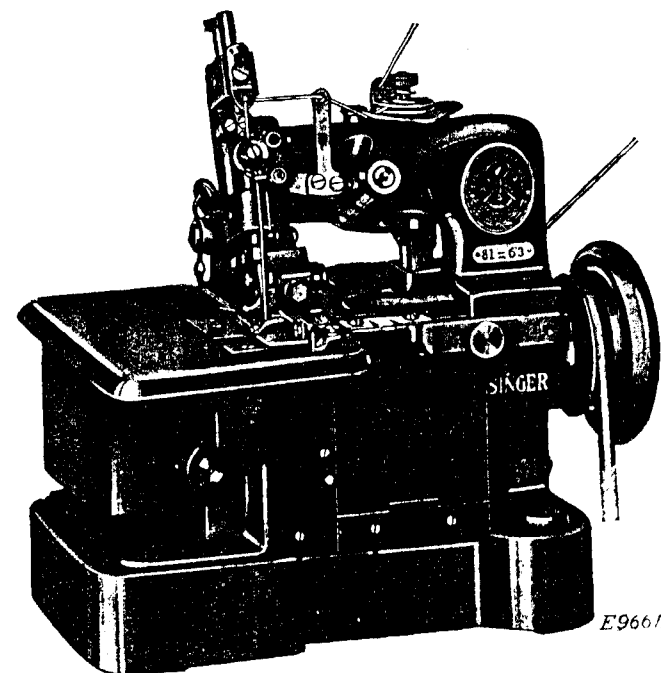
- 1 to 1500 and 50001 to 51500 are Screw Numbers
- 1501 to 1800 and 51501 to 51800 are Nut Numbers
- 1801 to 2000 and 51801 to 52000 are Roller Numbers
- 2001 to 50000 and 52001 and upward are numbers of Machine Parts

The figures in the second column refer only to the plates, illustrating the parts, and are **NOT TO BE USED** in ordering.

Parts marked with an asterisk (*) are furnished only when repairs are made at factory.

LIST OF PARTS COMPLETE

FOR



MACHINE No. 81-63

FOR SERGING PANTS AND CUT EDGES OF CLOTH. NO TRIMMER. HAS A GUIDE ADJUSTABLE FOR DIFFERENT THICKNESSES AND WIDTH OF BIGHT. TWO-THREAD STITCH. FOOT LIFTER. HAS AN IMPROVED OILING SYSTEM, WHICH AUTOMATICALLY OILS ALL OF THE PRINCIPAL BEARINGS OF THE MACHINE. BALANCE WHEEL NO. 132632. DIAMETER OF BELT GROOVE 1 7/8 INCHES. SPEED 5000.

| NO. | PLATE | NAME |
|---------|-------|--|
| *132522 | — | Arm with 42253, 132580 and two each 462c, 624c and 132589..... |
| 4389 | 7416 | Arm Dowel Pin..... |
| 68350 | 7416 | " Oil Cup..... |
| 949E | 7417 | " Screw..... |
| 132632 | 20784 | Balance Wheel, 1 7/8 in. pulley, with with 446c and 1258c..... |

| NO. | PLATE | NAME |
|---------|-------|--|
| 1285c | 7418 | Balance Wheel Position Screw..... |
| 446c | — | “ “ Set Screw..... |
| 132524 | 20779 | Cloth Plate with 132525..... |
| 132601 | 20779 | “ “ Extension (lower)..... |
| 233E | 7416 | “ “ “ “ Screw... |
| 42108 | 7416 | “ “ “ (upper)..... |
| 233E | 7416 | “ “ “ “ Screw... |
| *132525 | — | “ “ Hinge Bracket..... |
| 132526 | 7416 | “ “ “ Stud..... |
| 50150c | 7416 | “ “ “ “ Set Screw..... |
| 42005 | 7416 | “ “ Lock Spring..... |
| 236c | 7416 | “ “ “ “ Screw..... |
| 132527 | — | Cloth Plate complete, Nos. 42005, 42108, 132524, 132601, two 236c and five 233E..... |
| 42205 | 20780 | Feed Bar with 1253c..... |
| 132528 | 20786 | “ “ Hinge Pin..... |
| 1253c | 20781 | “ “ “ “ Set Screw..... |
| 132529 | 20781 | “ Connecting Rod with 171c, 1695j, 132530 and two 1057E..... |
| 132643 | — | Feed Connecting Rod 132529 with 132644..... |
| *132530 | — | Feed Connecting Rod Cap..... |
| 1057E | 20781 | “ “ “ “ Screw.. |
| 51292c | 20781 | “ “ “ “ Hinge Screw |
| 171c | 20781 | “ “ “ “ “ |
| | | Clamping Screw..... |
| 1695j | 20781 | Feed Connecting Rod Hinge Screw |
| | | Clamping Screw Nut..... |
| 1520j | 20781 | Feed Connecting Rod Hinge Screw |
| | | Nut..... |
| 42267 | 20782 | Feed Dog, 24 teeth (16 teeth to the inch)..... |
| 190j | 20781 | Feed Dog Screw..... |
| *132531 | — | “ Eccentric..... |
| *132532 | — | “ “ Body..... |
| 1036c | 20781 | “ “ “ “ Set Screw..... |
| 19047 | 20781 | “ “ Clamping Washer..... |
| 201j | 20781 | “ “ “ “ Screw |
| 132533 | 20781 | “ “ Oil Tube..... |
| 132644 | 20781 | Feed Eccentric complete, Nos. 201j, 19047, 51145c, 132531 to 132533 and two 1036c..... |
| 132651 | 20781 | Feed Eccentric Cover..... |
| 42102 | 20786 | “ “ “ “ Holder..... |
| 132634 | — | “ “ “ “ “ 42102 with 132651 and two 50253j..... |

| NO. | PLATE | NAME |
|---------|-------|--|
| 283w | 20786 | Feed Eccentric Cover Holder Thumb Screw..... |
| 2749 | 20786 | Feed Eccentric Cover Holder Thumb Screw Washer..... |
| 50253j | 20781 | Feed Eccentric Cover Screw..... |
| 132536 | 20783 | “ “ Lubricator with 132537 |
| 132537 | 20783 | “ “ “ “ Oil Wick (braided cotton)..... |
| 132635 | 20783 | Feed Lifting Eccentric with two 462c.. |
| 132539 | 20783 | “ “ “ “ Connection..... |
| 462c | 20783 | “ “ “ “ Set Screw..... |
| 51145c | 20781 | “ Regulating Screw..... |
| 132625 | 20780 | “ Rock Shaft..... |
| 132626 | — | Feed Rock Shaft complete, Nos. 42021 and 132625..... |
| 42021 | 20783 | Feed Rock Shaft Crank with 157E..... |
| 157E | 20783 | “ “ “ “ Clamping Screw..... |
| 132542 | 20783 | Feed Rock Shaft Hinge Pin with 132544 |
| 132543 | 20783 | “ “ “ “ “ Bushing... |
| 132544 | 20783 | “ “ “ “ “ “ Oil Wick (braided cotton)..... |
| 1036c | 20783 | Feed Rock Shaft Hinge Pin Bushing Set Screw..... |
| 132544 | 20783 | Feed Rock Shaft Hinge Pin Oil Wick (braided cotton)..... |
| *132545 | — | Frame..... |
| 132546 | 20779 | “ Bottom Cover with 132594..... |
| 132547 | 20779 | “ “ “ “ Gasket..... |
| 190E | 20781 | “ “ “ “ Screw..... |
| 132548 | 7416 | “ Oil Cup..... |
| 132549 | 20784 | “ Rotary Shaft with 132558 and 132559..... |
| 132616 | — | Frame Rotary Shaft 132549 with 132585 and 132695..... |
| 132550 | 7416 | Frame Rotary Shaft Bushing (front) with 132552..... |
| 132552 | 20785 | Frame Rotary Shaft Bushing (front) Oil Pad (braided cotton)..... |
| 132551 | 7416 | Frame Rotary Shaft Bushing (front) Oil Wick (braided cotton)..... |
| 51332c | — | Frame Rotary Shaft Bushing (front) Set Screw..... |
| 132553 | 20783 | Frame Rotary Shaft Crank with 1036c and 1375c..... |
| 1375c | 20783 | Frame Rotary Shaft Crank Position Screw..... |

| NO. | PLATE | NAME |
|---------|-------|--|
| 1036c | 20783 | Frame Rotary Shaft Crank Set Screw... |
| 132551 | 20784 | " " " Flanged Bushing (back)..... |
| 132694 | ----- | Frame Rotary Shaft Flanged Bushing (back) 132554 with 132555, 132556, 132603 and 132692..... |
| 132555 | 20780 | Frame Rotary Shaft Flanged Bushing (back) Oil Pad, large (braided cotton) |
| 132556 | 7416 | Frame Rotary Shaft Flanged Bushing (back) Oil Pad, small (braided cotton) |
| 132603 | 20780 | Frame Rotary Shaft Flanged Bushing (back) Oil Pad Retainer..... |
| 132551 | 7416 | Frame Rotary Shaft Flanged Bushing (back) Oil Wick (braided cotton).... |
| 51332c | ----- | Frame Rotary Shaft Flanged Bushing (back) Set Screw..... |
| 132558 | 20780 | Frame Rotary Shaft Oil Pad (braided cotton)..... |
| 132559 | 20780 | Frame Rotary Shaft Oil Pad Retainer.. |
| *132692 | ----- | " " " " Sling Cover... |
| 132638 | 20784 | " Side Cover (left) with 19045.... |
| 19045 | 7416 | " " " " Handle..... |
| 330w | 7416 | " " " " Screw..... |
| 42028 | 20784 | " " " (right, hinged).... |
| 42192 | 20786 | " " " " Lock Spring |
| 330w | 7416 | " " " " " " " " Screw..... |
| 330w | 7416 | Frame Side Cover (right) Screw..... |
| 132636 | 20779 | " Top Cover..... |
| 583f | 7417 | " " " Screw (large)..... |
| 742f | 7417 | " " " " (small)..... |
| 38571 | 20786 | Guide with 230H and 38572..... |
| 217f | 7412 | " Screw..... |
| 7071 | 20786 | " " Washer..... |
| 38572 | 20786 | " Smoothing Plate..... |
| 230H | 20786 | " " " Screw..... |
| 42114 | 20785 | Looper (left hand)..... |
| 132566 | 20785 | " " " Lever with 50117c and two 1253c..... |
| 132567 | 20785 | Looper (left hand) Lever Connecting Stud with 68497..... |
| 68497 | ----- | Looper (left hand) Lever Connecting Stud Oil Pad..... |
| 132645 | 20785 | Looper (left hand) Lever Connecting Stud Hinge Pin..... |
| 1253c | 20785 | Looper (left hand) Lever Connecting Stud Hinge Pin Set Screw..... |

| NO. | PLATE | NAME |
|---------|-------|---|
| 132569 | 20785 | Looper (left hand) Lever Hinge Stud with 132552..... |
| 132552 | 20785 | Looper (left hand) Lever Hinge Stud Oil Pad (braided cotton)..... |
| 132571 | 20785 | Looper (left hand) Lever Hinge Stud Oil Wick (braided cotton)..... |
| 1036c | 20781 | Looper (left hand) Lever Hinge Stud Set Screw..... |
| 50117c | 20785 | Looper (left hand) Set Screw..... |
| 132630 | 20785 | " (right hand)..... |
| 132698 | ----- | " " " and Spreader Lever with 233E, 241E and 50200c..... |
| 132703 | ----- | Looper (right hand) and Spreader Lever 132698 with 132699..... |
| 132573 | 7412 | Looper (right hand) and Spreader Lever Ball Stud..... |
| 132695 | ----- | Looper (right hand) and Spreader Lever Ball Stud 132573 with 132696..... |
| 132696 | ----- | Looper (right hand) and Spreader Lever Ball Stud Oil Pad (felt)..... |
| 50200c | 7413 | Looper (right hand) and Spreader Lever Ball Stud Set Screw..... |
| 132574 | 7412 | Looper (right hand) and Spreader Lever Connection with 132575, 132576 and four 1057E..... |
| 132617 | ----- | Looper (right hand) and Spreader Lever Connection 132574 with 132553 and 132695..... |
| *132575 | ----- | Looper (right hand) and Spreader Lever Connection Cap (lower)..... |
| 1057E | 7412 | Looper (right hand) and Spreader Lever Connection Cap (lower) Screw..... |
| *132576 | ----- | Looper (right hand) and Spreader Lever Connection Cap (upper)..... |
| 1057E | 7412 | Looper (right hand) and Spreader Lever Connection Cap (upper) Screw..... |
| 132577 | 7412 | Looper (right hand) and Spreader Lever Connection Guide..... |
| 196f | 7412 | Looper (right hand) and Spreader Lever Connection Guide Screw..... |
| 132699 | ----- | Looper (right hand) and Spreader Lever Hinge Pin with 132700..... |
| 132543 | 20783 | Looper (right hand) and Spreader Lever Hinge Pin Bushing..... |
| 132700 | ----- | Looper (right hand) and Spreader Lever Hinge Pin Bushing Oil Pad (braided cotton)..... |

| NO. | PLATE | NAME |
|---------|-------|---|
| 1036c | 20781 | Looper (right hand) and Spreader Lever Hinge Pin Bushing Set Screw..... |
| 132700 | --- | Looper (right hand) and Spreader Lever Hinge Pin Oil Pad (braided cotton) for 132699..... |
| 1036c | 20781 | Looper (right hand) and Spreader Lever Hinge Pin Set Screw..... |
| 241E | --- | Looper (right hand) and Spreader Lever Oil Plug Screw..... |
| 197J | 20785 | Looper (right hand) Screw..... |
| 42054 | 7412 | Needle Bar..... |
| 42253 | 7412 | " " Bushing (lower)..... |
| 132580 | 7412 | " " " (upper)..... |
| 132581 | 7412 | " " " " Oil Pad (braided cotton)..... |
| 132621 | 7412 | Needle Bar Bushing (upper) Oil Pad Cover..... |
| 217J | 7412 | Needle Bar Bushing (upper) Oil Pad Cover Screw..... |
| 462c | 20783 | Needle Bar Bushing Set Screw..... |
| 132598 | 7412 | " " Connecting Bracket with 187E and 223E..... |
| 187E | 7412 | Needle Bar Connecting Bracket Clamping Serew..... |
| 132582 | 7412 | Needle Bar Connecting Link..... |
| 132583 | 7412 | " " " " Hinge Pin with 132581..... |
| 132584 | 7412 | Needle Bar Connecting Link Hinge Pin Oil Pad (wick)..... |
| 223E | 7412 | Needle Bar Connecting Link Hinge Pin Set Screw for 132598..... |
| 620c | 7413 | Needle Bar Connecting Link Hinge Pin Set Screw for 132597..... |
| 132585 | 7413 | Needle Bar Connecting Rod with 132586 132587 and four 1057E..... |
| *132586 | --- | Needle Bar Connecting Rod Cap (lower) |
| 1057E | 7413 | " " " " " " " " Screw..... |
| *132587 | --- | Needle Bar Connecting Rod Cap (upper) |
| 1057E | 7413 | " " " " " " " " Screw..... |
| 132577 | 7412 | Needle Bar Connecting Rod Guide..... |
| 196E | 7412 | " " " " " " " " Screw..... |
| 132588 | 7413 | " " Crank (back) with 132590 and two 1259c..... |
| 132573 | 7412 | Needle Bar Crank (back) Ball Stud |

| NO. | PLATE | NAME |
|--------|-------|---|
| 132695 | --- | Needle Bar Crank (back) Ball Stud 132573 with 132696..... |
| 132696 | --- | Needle Bar Crank (back) Ball Stud Oil Pad (felt)..... |
| 1259c | 7413 | Needle Bar Crank (back) Ball Stud Set Screw..... |
| 132589 | 7413 | Needle Bar Crank (back) Bushing.... |
| 624c | 7413 | " " " " " " Set Screw..... |
| 132590 | 7413 | Needle Bar Crank (back) Oil Pad (wick)..... |
| 1259c | 7413 | Needle Bar Crank (back) Set Screw.... |
| 132597 | 7413 | " " " (front) with 620c, 1259c and 50200c..... |
| 132615 | --- | Needle Bar Crank (front) 132597 with 132582, 132598 and two 132583..... |
| 1259c | 7413 | Needle Bar Crank (front) Position Screw..... |
| 50200c | 7413 | Needle Bar Crank (front) Set Screw.... |
| 42115 | 7413 | " " Thread Retainer Bracket |
| 228J | 20786 | " " " " " " Screw..... |
| 42483 | 7413 | Needle Bar Thread Retainer Disc..... |
| 93c | 7413 | " " " " " " Screw.... |
| 10107 | 7413 | " " " " " " Spring.... |
| 1728c | 7412 | " Clamping Nut..... |
| 42066 | 7413 | " Guard..... |
| 42195 | 20786 | " " Holder..... |
| 1101c | 7418 | " " " " " " Screw..... |
| 171E | 7413 | " " " " " " Screw..... |
| 42268 | 20782 | Presser Foot Chaining-off Finger..... |
| 233J | 20782 | " " " " " " Screw |
| 132609 | --- | " " " " " " Plate..... |
| 132610 | 20782 | " " " " " " Collar with 240c..... |
| 132611 | 20782 | Presser Foot Chaining-off Plate Collar Guide Pin..... |
| 735c | 20782 | Presser Foot Chaining-off Plate Collar Guide Pin Set Screw..... |
| 240c | 20782 | Presser Foot Chaining-off Plate Collar Set Screw..... |
| 62527 | 20782 | Presser Foot Hinge Pin..... |
| 42270 | --- | " " " " " " Plate..... |
| 132612 | --- | " " Shank with 735c..... |
| 14058 | 20782 | " " Spring..... |

| NO. | PLATE | NAME |
|--------|-------|--|
| 132637 | 20782 | Presser Foot (spring hinged) complete, Nos. 233j, 14058, 42268, 42270, 62527 and 132609 to 132612..... |
| 1324c | 20782 | Presser Foot Screw..... |
| 39541 | 20782 | “ “ “ Washer..... |
| 42069 | 20784 | “ Lever..... |
| 42376 | ----- | “ “ 42069 with 42015..... |
| 42045 | 20786 | “ “ Hinge Stud..... |
| 1120c | 7417 | Presser Lever Hinge Stud Set Screw... .. |
| 42070 | 7414 | “ “ Lifter..... |
| 85d | 7414 | “ “ “ Hinge Screw..... |
| 1377c | 7418 | “ “ Screw Stud (eccentric) |
| 1517j | 20786 | “ “ “ “ Nut..... |
| 42071 | 7414 | “ “ Spring..... |
| 1378b | 7414 | Pressure Regulating Thumb Screw..... |
| 132631 | 20785 | Spreader..... |
| 197j | 20785 | “ Screw..... |
| 2102 | 7414 | Tension (looper, left hand) Disc..... |
| 1560c | 7414 | “ “ “ “ Regulating Thumb Nut..... |
| 50148c | 7414 | Tension (looper, left hand) Screw Stud |
| 124687 | ----- | “ “ “ “ “ “ |
| | | 50148c with 1560c..... |
| 54883 | 7414 | Tension (looper, left hand) Spring... .. |
| 132599 | 7414 | “ “ “ “ Thread Guide..... |
| 2102 | 7414 | Tension (needle thread) Disc..... |
| 1560c | 7414 | “ “ “ “ Regulating Thumb Nut..... |
| 916c | 7414 | Tension (needle thread) Screw Stud... .. |
| 41209 | ----- | “ “ “ “ “ “ 916c with 1560c..... |
| 10148 | 7414 | Tension (needle thread) Spring..... |
| 42082 | 7414 | “ “ “ “ Thread Guide..... |
| 42242 | 20786 | Thread (looper, left hand) Eyelet..... |
| 233e | 7416 | “ “ “ “ “ “ Screw..... |
| 42084 | 7417 | “ “ “ “ “ “ Tube..... |
| 462c | 20783 | “ “ “ “ “ “ Set Screw..... |
| 42096 | 20786 | Thread (needle) Eyelet..... |
| 217j | 7412 | “ “ “ “ Screw..... |
| 42428 | 20786 | “ “ “ “ Take-up..... |
| 197j | 7414 | “ “ “ “ Screw..... |
| 42272 | 20782 | Throat Plate for 42267..... |
| 742e | 7417 | “ “ “ “ Screw..... |

PARTS REQUIRED FOR THREE-THREAD STITCH

| NO. | PLATE | NAME |
|--------|-------|--|
| 132630 | 20785 | Looper (right hand)..... |
| 2102 | 7414 | Tension (looper, right hand) Disc..... |
| 1560c | 7414 | “ “ “ “ “ “ Regulating Thumb Nut..... |
| 828c | 7414 | Tension (looper, right hand) Screw Stud |
| 42418 | ----- | “ “ “ “ “ “ “ “ 828c with 1560c..... |
| 10148 | 7414 | Tension (looper, right hand) Spring.... |
| 57076 | 7414 | “ “ “ “ “ “ Thread Guide..... |
| 132629 | 7417 | Thread (looper, left hand) Eyelet..... |
| 42122 | 7417 | “ “ “ “ “ “ Nipper Spring (lower)..... |
| 42123 | 7417 | Thread (looper, left hand) Nipper Spring (upper)..... |
| 176j | 7417 | Thread (looper, left hand) Nipper Spring Screw..... |
| 42126 | 7417 | Thread (looper, left hand) Pull-off.... |
| 132591 | 7417 | “ (looper, right hand) Pull-off |
| 42244 | 7417 | “ “ “ “ “ “ “ “ Eyelet..... |
| 207j | 7417 | Thread (looper, right hand) Pull-off Eyelet Screw..... |
| 42093 | 7417 | Thread (looper, right hand) Staple.... |
| 190j | 20781 | “ “ “ “ “ “ Screw |
| 42127 | 7417 | “ “ “ “ “ “ Take-up... .. |
| 197j | 7414 | “ “ “ “ “ “ “ “ Screw |
| 132622 | 7417 | “ (needle) Eyelet..... |
| 233j | 7416 | “ “ “ “ “ “ Screw..... |
| 132623 | 7417 | “ “ “ “ “ “ Take-up..... |

BENCH STAND

| NO. | PLATE | NAME |
|-------|-------|---|
| 79768 | ----- | Bench Stand with 27098, two each 28291, 46548, wood screws 1½ in. No. 12 and eight wood screws ⅝ in. No. 5..... |
| 28291 | 7418 | Cover Hinge..... |
| 27998 | 7418 | “ Hook and Eye (brass) with wood screw ½ in. No. 5..... |
| 46548 | 7418 | Cover Rest (felt)..... |

ACCESSORIES

| NO. | PLATE | NAME |
|--------|-------|--|
| 1407E | 5563 | Machine Base Thumb Screw, for 3 in. table..... |
| 1408E | 5563 | Machine Base Thumb Screw, for 2 in. table..... |
| 14063 | 7418 | Machine Base Thumb Screw Spring |
| 9842 | 7419 | “ “ “ “ “ “ Washer..... |
| 132602 | 7418 | Machine Base Thumb Screw Washer... |
| 120344 | 5566 | Oiler (copper plated) with 120345..... |
| 120345 | 5566 | “ Spout, 5 in. long..... |
| 120440 | 5566 | Screw Driver..... |
| 42090 | 5566 | Threading Wire..... |
| 120341 | 5566 | Tweezers (curved)..... |
| 68547 | 7418 | Wrench for 1324 and 1728..... |
| 8908 | 5566 | “ “ 1520..... |
| 4822 | 5566 | “ “ 1547..... |

MACHINE BASE

| NO. | PLATE | NAME |
|--------|-------|--|
| 132647 | 20779 | Machine Base..... |
| 132595 | 7419 | “ “ Cushion (large) felt..... |
| 42088 | 7419 | “ “ “ (small) felt..... |
| 132618 | 7419 | “ “ “ “ “ for 1407 or 1408..... |
| 935E | 7419 | Machine Base Cushion (small) Screw... |
| 132596 | 7419 | “ “ “ (leather)..... |
| 132593 | 7419 | “ “ Oil Drain Strainer..... |
| 131019 | 20784 | “ “ “ Pipe..... |
| 131020 | 20784 | “ “ “ Valve..... |
| 54477 | 7419 | “ “ Screw Stud..... |
| 51576E | 7419 | “ “ “ “ Nut..... |
| 9842 | 7419 | “ “ “ “ Washer..... |
| 132594 | 7419 | “ “ Thumb Screw Bushing.. |
| 132592 | ----- | Machine Base complete, Nos. 131019, 131020, 132593, 132596, 132618, 132647, three each 9842, 51576E, 54477 and four each 935E, 42088 and 132595..... |

FOOT LIFTER PARTS

| NO. | PLATE | NAME |
|------|-------|--|
| 6439 | ----- | Chain, 36 in. to 45 in., with 56864 and 56865..... |

NOTE: When ordering No. 6439 state length required.

| | | |
|-------|-------|---|
| 4879 | 5566 | Chain Connecting Link..... |
| 56864 | 5566 | “ Hook (large)..... |
| 56865 | 7418 | “ “ (small)..... |
| 42130 | 20780 | Lifting Lever..... |
| 42131 | 20780 | “ “ Bracket..... |
| 1229c | 20780 | “ “ “ Screw..... |
| 1301D | 20780 | “ “ Hinge Screw..... |
| 42132 | 20780 | “ “ Spring..... |
| 1148F | 20780 | “ “ Stop Screw..... |
| 1547J | 20786 | “ “ “ Nut..... |
| 4881 | 20779 | Treadle..... |
| 4882 | 5566 | “ Shaft..... |
| 4883 | 5566 | “ Spring..... |
| 4884 | 20779 | “ Stand..... |
| 4885 | 20779 | Treadle complete, Nos. 4879, 4881 to 4884 and two wood screws 1 in. No. 16 |
| 42133 | ----- | Foot Lifter complete, Nos. 1301D, 4885, 6439, 42130 to 42132 and two each 1148F, 1229c and 1547J..... |

Genuine Singer Needles should be used in Singer Machines.
These Needles and their Containers are marked with the Company's Trade Mark "SIMANCO." 1

Needles in Containers marked "For Singer Machines" are not Singer made needles. 2

KNEE LIFTER PARTS

| NO. | PLATE | NAME |
|-------|-------|---|
| 42130 | 20780 | Lifting Lever..... |
| 42131 | 20780 | “ “ Bracket..... |
| 1229c | 20780 | “ “ “ Screw..... |
| 42142 | 20779 | “ “ Connecting Rod..... |
| 1301D | 20780 | “ “ Hinge Screw..... |
| 42132 | 20780 | “ “ Spring..... |
| 1148F | 20780 | “ “ Stop Screw..... |
| 1547J | 20786 | “ “ “ Nut..... |
| 2763 | 20779 | Rock Shaft..... |
| 12242 | 20779 | “ “ Hanger with two wood screws 1 in. No. 10..... |
| 2765 | 20779 | Rock Shaft Knee Arm..... |
| 2766 | 20779 | “ “ “ “ Hub with 356c.. |
| 356c | 7418 | “ “ “ “ Set Screw.. |
| 2768 | — | Rock Shaft Knee Arm complete, Nos. 2765 to 2767..... |
| 2767 | 20779 | Rock Shaft Knee Plate with 356c..... |
| 356c | 7418 | “ “ “ “ Set Screw..... |
| 6337 | 20779 | “ “ Lifting Bracket with two 356c..... |
| 7125 | 20779 | Rock Shaft Lifting Bracket Hook.... |
| 356c | 7418 | “ “ “ “ “ Set Screw..... |
| 356c | 7418 | Rock Shaft Lifting Bracket Set Screw.. |
| 2770 | 20779 | “ “ Stop Dog with 356c..... |
| 356c | 7418 | “ “ “ “ Set Screw..... |
| 42143 | 20779 | Rock Shaft complete, Nos. 2763, 2768, 6337, 7125 and two each 2770 and 12242..... |
| 42144 | — | Knee Lifter complete, Nos. 1301D, 42130 to 42132, 42142, 42143 and two each 1148F, 1229c and 1547J..... |

THREAD UNWINDER

FOR TWO SPOOLS

| NO. | PLATE | NAME |
|---------|-------|---|
| 225257 | 20787 | Spool Rest (for two spools) with 201018c..... |
| 150203 | — | Spool Rest Cushion (felt)..... |
| 225388 | 20787 | “ “ Rod..... |
| 200383c | 7418 | “ “ “ Set Screw..... |
| 201018c | 7418 | “ “ Set Screw..... |
| 202490 | 20787 | “ Stand with 200383c..... |
| 225391 | 20787 | Thread Guide..... |
| 201696J | 7418 | “ “ Lock Nut..... |
| 225326 | 7418 | “ “ Position Cup..... |
| 225324 | 20787 | “ “ Rod with 208E and 225322 |
| 208E | 20786 | “ “ “ Screw..... |
| 225322 | 7418 | “ “ “ Washer..... |
| *150085 | — | “ Separator..... |
| 150086 | 20787 | “ “ 150085 with 150059.. |
| *150059 | — | “ “ Bracket..... |
| 150060 | 20787 | “ “ “ Arm with 164J and 9525..... |
| 164J | 7418 | Thread Separator Bracket Arm Clamping Screw..... |
| 9525 | 7418 | Thread Separator Bracket Arm Clamping Screw Washer..... |
| 164J | 7418 | Thread Separator Bracket Screw..... |
| 9525 | 7418 | “ “ “ “ Washer |
| 150087 | — | Thread Separator complete, Nos. 164J, 9525, 150060 and 150086..... |
| 150088 | 20787 | Thread Unwinder complete, Nos. 150087, 201696J, 202490, 225257, 225324, 225326, 225388, two each 150203, 225391 and three wood screws 7/8 in. No. 12..... |
| 27739 | 7234 | Thread Cone (wood) for large cones.... |
| 225390 | 7234 | “ “ Holder, for inverted cones |

NOTE: Nos. 27739 and 225390 are used with, but not included in 150088.

NUMERICAL LIST OF PARTS
FOR
MACHINE No. 81-63

NUMERICAL LIST OF PARTS

| NO. | PLATE | NAME |
|------|-------|---|
| 85D | 7414 | Presser Lever Lifter Hinge Screw..... |
| 93C | 7413 | Needle Bar Thread Retainer Screw..... |
| 157E | 20783 | Feed Rock Shaft Crank Clamping Screw for 42021..... |
| 164J | 7418 | Thread Unwinder Thread Separator Bracket Arm Clamping Screw for 150060..... |
| 164J | 7418 | Thread Unwinder Thread Separator Bracket Screw for 150087..... |
| 171C | 20781 | Feed Connecting Rod Hinge Screw Clamping Screw for 132529..... |
| 171F | 7413 | Needle Guard Screw..... |
| 176J | 7417 | Thread (looper, left hand) Nipper Spring Screw..... |
| 187E | 7412 | Needle Bar Connecting Bracket Clamp- ing Screw for 132598..... |
| 190E | 20781 | Frame Bottom Cover Screw..... |
| 190J | 20781 | Feed Dog Screw..... |
| 190J | 20781 | Thread (looper, right hand) Staple Screw |
| 196F | 7412 | Looper (right hand) and Spreader Lever Connection Guide Screw..... |
| 196F | 7412 | Needle Bar Connecting Rod Guide Screw..... |
| 197J | 20785 | Looper (right hand) Screw..... |
| 197J | 20785 | Spreader Screw..... |
| 197J | 7414 | Thread (needle) Take-up Screw..... |
| 197J | 7414 | " (looper, right hand) Take-up Screw..... |
| 201J | 20781 | Feed Eccentric Clamping Washer Screw for 132644..... |
| 207J | 7417 | Thread (looper, right hand) Pull-off Eyelet Screw..... |
| 208E | 20786 | Thread Unwinder Thread Guide Rod Screw for 225324..... |
| 217F | 7412 | Guide Screw..... |
| 217J | 7412 | Needle Bar Bushing (upper) Oil Pad Cover Screw..... |
| 217J | 7412 | Thread (needle) Eyelet Screw..... |
| 223F | 7412 | Needle Bar Connecting Link Hinge Pin Set Screw for 132598..... |
| 228J | 20786 | Needle Bar Thread Retainer Bracket Screw..... |
| 230H | 20786 | Guide Smoothing Plate Screw for 38571 |

| NO. | PLATE | NAME |
|------|-------|--|
| 233E | 7416 | Cloth Plate Extension (lower) Screw for 132527..... |
| 233E | 7416 | Cloth Plate Extension (upper) Screw for 132527..... |
| 233E | 7416 | Thread (looper, left hand) Eyelet Screw for 132698..... |
| 233J | 20782 | Presser Foot Chaining-off Finger Screw for 132637..... |
| 233J | 7416 | Thread (looper, left hand) Eyelet Screw |
| 233J | 7416 | " (needle) Eyelet Screw..... |
| 236c | 7416 | Cloth Plate Lock Spring Screw for 132527..... |
| 240c | 20782 | Presser Foot Chaining-off Plate Collar Set Screw for 132610..... |
| 241E | --- | Looper (right hand) and Spreader Lever Oil Plug Screw for 132698..... |
| 283w | 20786 | Feed Eccentric Cover Holder Thumb Screw..... |
| 330w | 7416 | Frame Side Cover (left) Screw..... |
| 330w | 7416 | " " (right) Lock Spring Screw..... |
| 330w | 7416 | Frame Side Cover (right) Screw..... |
| 356c | 7418 | Rock Shaft Knee Arm Hub Set Screw for 2766..... |
| 356c | 7418 | Rock Shaft Knee Plate Set Screw for 2767..... |
| 356c | 7418 | Rock Shaft Lifting Bracket Hook Set Screw for 6337..... |
| 356c | 7418 | Rock Shaft Lifting Bracket Set Screw for 6337..... |
| 356c | 7418 | Rock Shaft Stop Dog Set Screw for 2770..... |
| 446c | --- | Balance Wheel Set Screw for 132632.... |
| 462c | 20783 | Feed Lifting Eccentric Set Screw for 132635..... |
| 462c | 20783 | Needle Bar Bushing Set Screw for 132522..... |
| 462c | 20783 | Thread (looper, left hand) Tube Set Screw..... |
| 583F | 7417 | Frame Top Cover Screw (large)..... |
| 620c | 7413 | Needle Bar Connecting Link Hinge Pin Set Screw for 132597..... |
| 624c | 7413 | Needle Bar Crank (back) Bushing Set Screw for 132522..... |
| 735c | 20782 | Presser Foot Chaining-off Plate Collar Guide Pin Set Screw for 132612..... |
| 742F | 7417 | Frame Top Cover Screw (small)..... |

| NO. | PLATE | NAME |
|-------|-------|---|
| 742F | 7417 | Throat Plate Screw..... |
| 828c | 7414 | Tension (looper, right hand) Screw Stud for 42418..... |
| 916c | 7414 | Tension (needle thread) Screw Stud for 44209..... |
| 935E | 7419 | Machine Base Cushion (small) Screw for 132592..... |
| 949E | 7417 | Arm Screw..... |
| 1036c | 20781 | Feed Eccentric Body Set Screw for 132644..... |
| 1036c | 20783 | Feed Rock Shaft Hinge Pin Bushing Set Screw..... |
| 1036c | 20783 | Frame Rotary Shaft Crank Set Screw for 132553..... |
| 1036c | 20781 | Looper (left hand) Lever Hinge Stud Set Screw..... |
| 1036c | 20781 | Looper (right hand) and Spreader Lever Hinge Pin Bushing Set Screw..... |
| 1036c | 20781 | Looper (right hand) and Spreader Lever Hinge Pin Set Screw..... |
| 1057E | 20781 | Feed Connecting Rod Cap Screw for 132529..... |
| 1057E | 7412 | Looper (right hand) and Spreader Lever Connection Cap (lower) Screw for 132574..... |
| 1057E | 7412 | Looper (right hand) and Spreader Lever Connection Cap (upper) Screw for 132574..... |
| 1057E | 7413 | Needle Bar Connecting Rod Cap (lower) Screw for 132585..... |
| 1057E | 7413 | Needle Bar Connecting Rod Cap (upper) Screw for 132585..... |
| 1101c | 7418 | Needle Guard Holder Screw..... |
| 1120c | 7417 | Presser Lever Hinge Stud Set Screw.... |
| 1148F | 20780 | Lifting Lever Stop Screw for 41133 and 42144..... |
| 1229c | 20780 | Lifting Lever Bracket Screw for 42133 and 42144..... |
| 1253c | 20781 | Feed Bar Hinge Pin Set Screw for 42205..... |
| 1253c | 20785 | Looper (left hand) Lever Connecting Stud Hinge Pin Set Screw for 132566 |
| 1259c | 7413 | Needle Bar Crank (back) Ball Stud Set Screw..... |
| 1259c | 7413 | Needle Bar Crank (back) Set Screw for 132588..... |

| NO. | PLATE | NAME |
|-------|-------|---|
| 1259c | 7413 | Needle Bar Crank (front) Position Screw for 132597..... |
| 1285c | 7418 | Balance Wheel Position Screw for 132632..... |
| 1301b | 20780 | Lifting Lever Hinge Screw for 42133 and 42144..... |
| 1324c | 20782 | Presser Foot Screw..... |
| 1375c | 20783 | Frame Rotary Shaft Crank Position Screw for 132553..... |
| 1377c | 7418 | Presser Lever Screw Stud (eccentric).... |
| 1378b | 7414 | Pressure Regulating Thumb Screw..... |
| 1407e | 5563 | Machine Base Thumb Screw, for 3 in. table (Accessories)..... |
| 1408e | 5563 | Machine Base Thumb Screw, for 2 in. table (Accessories)..... |
| 1520j | 20781 | Feed Connecting Rod Hinge Screw Nut |
| 1547j | 20786 | Lifting Lever Stop Screw Nut for 42133 and 42144..... |
| 1547j | 20786 | Presser Lever Screw Stud Nut..... |
| 1560c | 7414 | Tension (looper, left hand) Regulating Thumb Nut for 124687..... |
| 1560c | 7414 | Tension (looper, right hand) Regulating Thumb Nut for 42418..... |
| 1560c | 7414 | Tension (needle thread) Regulating Thumb Nut for 44209..... |
| 1695j | 20781 | Feed Connecting Rod Hinge Screw Clamping Screw Nut for 132529.... |
| 1728c | 7412 | Needle Clamping Nut..... |
| 2102 | 7414 | Tension (looper, left hand) Disc..... |
| 2102 | 7414 | " (looper, right hand) Disc..... |
| 2102 | 7414 | " (needle thread) Disc..... |
| 2749 | 20786 | Feed Eccentric Cover Holder Thumb Screw Washer..... |
| 2763 | 20779 | Rock Shaft for 42143..... |
| 2765 | 20779 | " " Knee Arm for 2768..... |
| 2766 | 20779 | " " " " Hub with 356c, for 2768..... |
| 2767 | 20779 | Rock Shaft Knee Plate with 356c, for 2768..... |
| 2768 | — | Rock Shaft Knee Arm complete for 42143, Nos. 2765 to 2767..... |
| 2770 | 20779 | Rock Shaft Stop Dog with 356c, for 42143..... |
| 4389 | 7416 | Arm Dowel Pin..... |
| 4822 | 5566 | Wrench for 1547 (Accessories)..... |
| 4879 | 5566 | Chain Connecting Link for 4885..... |

| NO. | PLATE | NAME |
|----------------------------|-------|---|
| Nos. 4881 TO 4884 FOR 4885 | | |
| 4881 | 20779 | Treadle..... |
| 4882 | 5566 | " Shaft..... |
| 4883 | 5566 | " Spring..... |
| 4884 | 20779 | " Stand..... |
| 4885 | 20779 | Treadle complete for 42133, Nos. 4879, 4881 to 4884 and two wood screws 1 in. No. 16..... |
| 6337 | 20779 | Rock Shaft Lifting Bracket with two 356c, for 42143..... |
| 6439 | — | Chain, 36 in. to 45 in., with 56864 and 56865, for 42133..... |
| 7071 | 20786 | Guide Screw Washer..... |
| 7125 | 20779 | Rock Shaft Lifting Bracket Hook for 42143..... |
| 8908 | 5566 | Wrench for 1520 (Accessories)..... |
| 9525 | 7418 | Thread Unwinder Thread Separator Bracket Arm Clamping Screw Washer for 150060..... |
| 9525 | 7418 | Thread Unwinder Thread Separator Bracket Screw Washer for 150087.... |
| 9842 | 7419 | Machine Base Thumb Screw Spring Washer (Accessories)..... |
| 9842 | 7419 | Machine Base Screw Stud Nut Washer for 132592..... |
| 10107 | 7413 | Needle Bar Thread Retainer Spring ... |
| 10148 | 7414 | Tension (needle thread) Spring..... |
| 10148 | 7414 | " (looper, right hand) Spring.... |
| 12242 | 20779 | Rock Shaft Hanger with two wood screws 1 in. No. 10, for 42143..... |
| 14058 | 20782 | Presser Foot Spring for 132637..... |
| 14063 | 7418 | Machine Base Thumb Screw Spring (Accessories)..... |
| 19045 | 7416 | Frame Side Cover (left) Handle for 132638..... |
| 19047 | 20781 | Feed Eccentric Clamping Washer for 132644..... |
| 27739 | 7234 | Thread Unwinder Thread Cone (wood) for large cones, for 150088..... |
| 27998 | 7418 | Bench Stand Cover Hook and Eye (brass) with wood screw 1/2 in. No. 5, for 79768..... |
| 28291 | 7418 | Bench Stand Cover Hinge for 79768.... |
| 38571 | 20786 | Guide with 230H and 38572..... |
| 38572 | 20786 | " Smoothing Plate for 38571..... |
| 39541 | 20782 | Presser Foot Screw Washer..... |

| NO. | PLATE | NAME |
|-------|-------|--|
| 42005 | 7416 | Cloth Plate Lock Spring for 132527.... |
| 42021 | 20783 | Feed Rock Shaft Crank with 157E, for 132626..... |
| 42028 | 20784 | Frame Side Cover (right, hinged)..... |
| 42015 | 20786 | Presser Lever Hinge Stud for 42376.... |
| 42054 | 7412 | Needle Bar..... |
| 42066 | 7413 | “ Guard..... |
| 42069 | 20784 | Presser Lever for 42376..... |
| 42070 | 7414 | “ “ Lifter..... |
| 42071 | 7414 | “ “ Spring..... |
| 42082 | 7414 | Tension (needle thread) Thread Guide.. |
| 42084 | 7417 | Thread (looper, left hand) Tube..... |
| 42088 | 7419 | Machine Base Cushion (small) felt, for 132592..... |
| 42090 | 5566 | Threading Wire (Accessories)..... |
| 42093 | 7417 | Thread (looper, right hand) Staple..... |
| 42096 | 20786 | “ (needle) Eyelet..... |
| 42102 | 20786 | Feed Eccentric Cover Holder for 132634 |
| 42108 | 7416 | Cloth Plate Extension (upper) for 132527..... |
| 42114 | 20785 | Looper (left hand)..... |
| 42115 | 7413 | Needle Bar Thread Retainer Bracket... |
| 42122 | 7417 | Thread (looper, left hand) Nipper Spring (lower)..... |
| 42123 | 7417 | Thread (looper, left hand) Nipper Spring (upper)..... |
| 42126 | 7417 | Thread (looper, left hand) Pull-off.... |
| 42127 | 7417 | “ (looper, right hand) Take-up.... |
| 42128 | 20786 | “ (needle) Take-up..... |
| 42130 | 20780 | Lifting Lever for 42133 and 42144.... |
| 42131 | 20780 | “ “ Bracket for 42133 and 42144..... |
| 42132 | 20780 | Lifting Lever Spring for 42133 and 42144..... |
| 42133 | --- | Foot Lifter complete, Nos. 1301b, 4885, 6439, 42130 to 42132 and two each 1148E, 1229c and 1517J..... |
| 42142 | 20779 | Lifting Lever Connecting Rod for 42144 |
| 42143 | 20779 | Rock Shaft complete for 42144, Nos. 2763, 2768, 6337, 7125 and two each 2770 and 12242..... |
| 42144 | --- | Knee Lifter complete, Nos. 1301b, 42130 to 42132, 42142, 42143 and two each 1148E, 1229c and 1517J.... |
| 42192 | 20786 | Frame Side Cover (right) Lock Spring.. |
| 42195 | 20786 | Needle Guard Holder..... |
| 42205 | 20780 | Feed Bar with 1253c..... |

| NO. | PLATE | NAME |
|--------|-------|---|
| 42242 | 20786 | Thread (looper, left hand) Eyelet..... |
| 42244 | 7417 | “ (looper, right hand) Pull-off Eyelet..... |
| 42253 | 7412 | Needle Bar Bushing (lower) for 132522. |
| 42267 | 20782 | Feed Dog, 24 teeth (16 teeth to the inch) for 42272..... |
| 42268 | 20782 | Presser Foot Chaining-off Finger for 132637..... |
| 42270 | --- | Presser Foot Plate for 132637..... |
| 42272 | 20782 | Throat Plate for 42267..... |
| 42376 | --- | Presser Lever 42069 with 42045..... |
| 42418 | --- | Tension (looper, right hand) Screw Stud 828c with 1560c..... |
| 42483 | 7413 | Needle Bar Thread Retainer Disc..... |
| 44209 | --- | Tension (needle thread) Screw Stud 916c with 1560c..... |
| 46548 | 7418 | Bench Stand Cover Rest (felt) for 79768..... |
| 50117c | 20785 | Looper (left hand) Set Screw for 132566 |
| 50148c | 7414 | Tension (looper, left hand) Screw Stud for 124687..... |
| 50150c | 7416 | Cloth Plate Hinge Stud Set Screw.... |
| 50200c | 7413 | Looper (right hand) and Spreader Lever Ball Stud Set Screw for 132698..... |
| 50200c | 7413 | Needle Bar Crank (front) Set Screw for 132597..... |
| 50253J | 20781 | Feed Eccentric Cover Screw for 132634. |
| 51145c | 20781 | “ Regulating Screw for 132644..... |
| 51292c | 20781 | “ Connecting Rod Hinge Screw. ... |
| 51332c | --- | Frame Rotary Shaft Bushing (front) Set Screw..... |
| 51332c | --- | Frame Rotary Shaft Flanged Bushing (back) Set Screw..... |
| 51576E | 7419 | Machine Base Screw Stud Nut for 132592..... |
| 54477 | 7419 | Machine Base Screw Stud for 132592... |
| 54883 | 7414 | Tension (looper, left hand) Spring..... |
| 56864 | 5566 | Chain Hook (large) for 6439..... |
| 56865 | 7418 | “ “ (small) for 6439..... |
| 57076 | 7414 | Tension (looper, right hand) Thread Guide..... |
| 62527 | 20782 | Presser Foot Hinge Pin for 132637.... |
| 68350 | 7416 | Arm Oil Cup..... |
| 68497 | --- | Looper (left hand) Lever Connecting Stud Oil Pad for 132567..... |
| 68547 | 7418 | Wrench for 1324 and 1728 (Accessories). |

| NO. | PLATE | NAME |
|---------|-------|---|
| 79768 | ----- | Bench Stand with 27998 two each 28291, 46548, wood screws 1½ in. No. 12 and eight wood screws 5⁄8 in. No. 5..... |
| 120341 | 5566 | Tweezers (curved) Accessories..... |
| 120344 | 5566 | Oiler (copper plated) with 120345 (Accessories)..... |
| 120345 | 5566 | Oiler Spout, 5 in. long, for 120344..... |
| 120440 | 5566 | Screw Driver (Accessories)..... |
| 124687 | ----- | Tension (looper, left hand) Screw Stud 50148c with 1560c..... |
| 131019 | 20784 | Machine Base Oil Pipe for 132592..... |
| 131020 | 20784 | “ “ “ “ Valve for 132592 |
| *132522 | --- | Arm with 42253, 132580 and two each 462c, 624c and 132589..... |
| 132524 | 20779 | Cloth Plate with 132525, for 132527 ... |
| *132525 | ----- | “ “ Hinge Bracket for 132524.. |
| 132526 | 7416 | “ “ “ Stud..... |
| 132527 | --- | Cloth Plate complete, Nos. 42005, 42108, 132524, 132601, two 236c and five 233e..... |
| 132528 | 20786 | Feed Bar Hinge Pin..... |
| 132529 | 20781 | “ Connecting Rod with 171c, 1695j, 132530 and two 1057e, for 132643 |
| *132530 | --- | Feed Connecting Rod Cap for 132529.. |
| *132531 | ----- | “ Eccentric for 132644..... |
| *132532 | ----- | “ “ Body for 132644..... |
| 132533 | 20781 | “ “ Oil Tube for 132644.... |
| 132536 | 20783 | “ “ Lubricator with 132537 |
| 132537 | 20783 | “ “ “ Oil Wick (braided cotton) for 132536..... |
| 132539 | 20783 | Feed Lifting Eccentric Connection.... |
| 132542 | 20783 | “ Rock Shaft Hinge Pin with 132544..... |
| 132543 | 20783 | Feed Rock Shaft Hinge Pin Bushing... |
| 132543 | 20783 | Looper (right hand) and Spreader Lever Hinge Pin Bushing..... |
| 132544 | 20783 | Feed Rock Shaft Hinge Pin Bushing Oil Wick (braided cotton)..... |
| 132544 | 20783 | Feed Rock Shaft Hinge Pin Oil Wick (braided cotton) for 132542..... |
| *132545 | --- | Frame..... |
| 132546 | 20779 | “ Bottom Cover with 132594..... |
| 132547 | 20779 | “ “ “ Gasket..... |
| 132548 | 7416 | “ Oil Cup..... |
| 132549 | 20784 | “ Rotary Shaft with 132558 and 132559, for 132616..... |

| NO. | PLATE | NAME |
|---------|-------|---|
| 132550 | 7416 | Frame Rotary Shaft Bushing (front) with 132552..... |
| 132551 | 7416 | Frame Rotary Shaft Bushing (front) Oil Wick (braided cotton)..... |
| 132551 | 7416 | Frame Rotary Shaft Flanged Bushing (back) Oil Wick (braided cotton).... |
| 132552 | 20785 | Frame Rotary Shaft Bushing (front) Oil Pad (braided cotton) for 132550 |
| 132552 | 20785 | Looper (left hand) Lever Hinge Stud Oil Pad (braided cotton) for 132569 |
| 132553 | 20783 | Frame Rotary Shaft Crank with 1036c and 1375c..... |
| 132554 | 20784 | Frame Rotary Shaft Flanged Bushing (back) for 132694..... |
| 132555 | 20780 | Frame Rotary Shaft Flanged Bushing (back) Oil Pad, large (braided cotton) for 132694..... |
| 132556 | 7416 | Frame Rotary Shaft Flanged Bushing (back) Oil Pad, small (braided cotton) for 132694..... |
| 132558 | 20780 | Frame Rotary Shaft Oil Pad (braided cotton) for 132549..... |
| 132559 | 20780 | Frame Rotary Shaft Oil Pad Retainer for 132549..... |
| 132566 | 20785 | Looper (left hand) Lever with 50117c and two 1253c..... |
| 132567 | 20785 | Looper (left hand) Lever Connecting Stud with 68497..... |
| 132569 | 20785 | Looper (left hand) Lever Hinge Stud with 132552..... |
| 132571 | 20785 | Looper (left hand) Lever Hinge Stud Oil Wick (braided cotton)..... |
| 132573 | 7412 | Looper (right hand) and Spreader Lever Ball Stud for 132695..... |
| 132573 | 7412 | Needle Bar Crank (back) Ball Stud for 132695..... |
| 132574 | 7412 | Looper (right hand) and Spreader Lever Connection with 132575, 132576 and four 1057e, for 132617..... |
| *132575 | --- | Looper (right hand) and Spreader Lever Connection Cap (lower) for 132574.. |
| *132576 | --- | Looper (right hand) and Spreader Lever Connection Cap (upper) for 132574.. |
| 132577 | 7412 | Looper (right hand) and Spreader Lever Connection Guide..... |
| 132577 | 7412 | Needle Bar Connecting Rod Guide.... |

| NO. | PLATE | NAME |
|---------|-------|--|
| 132580 | 7412 | Needle Bar Bushing (upper) for 132522 |
| 132581 | 7412 | " " " " Oil Pad (braided cotton)..... |
| 132582 | 7412 | Needle Bar Connecting Link for 132615 |
| 132583 | 7412 | " " " " Hinge Pin with 132584, for 132615..... |
| 132584 | 7412 | Needle Bar Connecting Link Hinge Pin Oil Pad (wick) for 132583..... |
| 132585 | 7413 | Needle Bar Connecting Rod with 132586, 132587 and four 1057e, for 132616..... |
| *132586 | ----- | Needle Bar Connecting Rod Cap (lower) for 132585..... |
| *132587 | ----- | Needle Bar Connecting Rod Cap (upper) for 132585..... |
| 132588 | 7413 | Needle Bar Crank (back) with 132590 and two 1259c..... |
| 132589 | 7413 | Needle Bar Crank (back) Bushing for 132522..... |
| 132590 | 7413 | Needle Bar Crank (back) Oil Pad (wick) for 132588..... |
| 132591 | 7417 | Thread (looper, right hand) Pull-off.... |
| 132592 | ----- | Machine Base complete, Nos. 131019, 131020, 132593, 132596, 132618, 132647, three each 9842, 51576e, 54477 and four each 935e, 42088 and 132595..... |
| 132593 | 7419 | Machine Base Oil Drain Strainer for 132592..... |
| 132594 | 7419 | Machine Base Thumb Screw Bushing for 132546..... |
| 132595 | 7419 | Machine Base Cushion (large) felt, for 132592..... |
| 132596 | 7419 | Machine Base Cushion (leather) for 132592..... |
| 132597 | 7413 | Needle Bar Crank (front) with 620c, 1259c and 50200c, for 132615..... |
| 132598 | 7412 | Needle Bar Connecting Bracket with 187e and 223e, for 132615..... |
| 132599 | 7414 | Tension (looper, left hand) Thread Guide..... |
| 132601 | 20779 | Cloth Plate Extension (lower) for 132527..... |
| 132602 | 7418 | Machine Base Thumb Screw Washer (Accessories)..... |
| 132603 | 20780 | Frame Rotary Shaft Flanged Bushing (back) Oil Pad Retainer for 132694.. |

| NO. | PLATE | NAME |
|--------|-------|--|
| 132609 | ----- | Presser Foot Chaining-off Plate for 132637..... |
| 132610 | 20782 | Presser Foot Chaining-off Plate Collar with 240c, for 132637..... |
| 132611 | 20782 | Presser Foot Chaining-off Plate Collar Guide Pin for 132637..... |
| 132612 | ----- | Presser Foot Shank with 735c, for 132637 |
| 132615 | ----- | Needle Bar Crank (front) 132597 with 132582, 132598 and two 132583..... |
| 132616 | ----- | Frame Rotary Shaft 132549 with 132585 and 132695..... |
| 132617 | ----- | Looper (right hand) and Spreader Lever Connection 132574 with 132553 and 132695..... |
| 132618 | 7419 | Machine Base Cushion (small) felt, for 1407 or 1408, for 132592..... |
| 132621 | 7412 | Needle Bar Bushing (upper) Oil Pad Cover..... |
| 132622 | 7417 | Thread (needle) Eyelet..... |
| 132623 | 7417 | " " Take-up..... |
| 132625 | 20780 | Feed Rock Shaft for 132626..... |
| 132626 | ----- | Feed Rock Shaft complete, Nos. 42021 and 132625..... |
| 132629 | 7417 | Thread (looper, left hand) Eyelet..... |
| 132630 | 20785 | Looper (right hand)..... |
| 132631 | 20785 | Spreader..... |
| 132632 | 20784 | Balance Wheel, 1 $\frac{7}{8}$ in. pulley, with 446c and 1285c..... |
| 132634 | ----- | Feed Eccentric Cover Holder 42102 with 132651 and two 50253a..... |
| 132635 | 20783 | Feed Lifting Eccentric with two 462c.. |
| 132636 | 20779 | Frame Top Cover..... |
| 132637 | 20782 | Presser Foot (spring hinged) complete, Nos. 233j, 14058, 42268, 42270, 62527 and 132609 to 132612..... |
| 132638 | 20784 | Frame Side Cover (left) with 19045.... |
| 132643 | ----- | Feed Connecting Rod 132529 with 132644..... |
| 132644 | 20781 | Feed Eccentric complete for 132643, Nos. 201j, 19047, 51145c, 132531 to 132533 and two 1036c..... |
| 132645 | 20785 | Looper (left hand) Lever Connecting Stud Hinge Pin..... |
| 132647 | 20779 | Machine Base for 132592..... |
| 132651 | 20781 | Feed Eccentric Cover for 132634..... |

| NO. | PLATE | NAME |
|---------|-------|---|
| *132692 | ----- | Frame Rotary Shaft Oil Sling Cover for 132694..... |
| 132694 | ----- | Frame Rotary Shaft Flanged Bushing (back) 132554 with 132555, 132556, 132603 and 132692..... |
| 132695 | ----- | Looper (right hand) and Spreader Lever Ball Stud 132573 with 132696, for 132617..... |
| 132695 | ----- | Needle Bar Crank (back) Ball Stud 132573 with 132696, for 132616..... |
| 132696 | ----- | Looper (right hand) and Spreader Lever Ball Stud Oil Pad (felt) for 132695.... |
| 132696 | ----- | Needle Bar Crank (back) Ball Stud Oil Pad (felt) for 132695..... |
| 132698 | ----- | Looper (right hand) and Spreader Lever with 233E, 241E and 50200c, for 132703..... |
| 132699 | ----- | Looper (right hand) and Spreader Lever Hinge Pin with 132700, for 132703.... |
| 132700 | ----- | Looper (right hand) and Spreader Lever Hinge Pin Bushing Oil Pad (braided cotton)..... |
| 132700 | ----- | Looper (right hand) and Spreader Lever Hinge Pin Oil Pad (braided cotton) for 132699..... |
| 132703 | ----- | Looper (right hand) and Spreader Lever 132698 with 132699..... |
| *150059 | ----- | Thread Unwinder Thread Separator Bracket for 150086..... |
| 150060 | 20787 | Thread Unwinder Thread Separator Bracket Arm with 164J and 9525, for 150087..... |
| *150085 | ----- | Thread Unwinder Thread Separator for 150086..... |
| 150086 | 20787 | Thread Unwinder Thread Separator 150085 with 150059, for 150087..... |
| 150087 | ----- | Thread Unwinder Thread Separator complete for 150088, Nos 164J, 9525, 150060 and 150086..... |
| 150088 | 20787 | Thread Unwinder complete, for two spools, Nos. 150087, 201696J, 202490, 225257, 225324, 225326, 225388, two each 150203, 225391 and three wood screws $\frac{7}{8}$ in. No. 12..... |
| 150203 | ----- | Thread Unwinder Spool Rest Cushion (felt) for 150088..... |

| NO. | PLATE | NAME |
|---------|-------|---|
| 200383c | 7418 | Thread Unwinder Spool Rest Rod Set Screw for 202490..... |
| 201018c | 7418 | Thread Unwinder Spool Rest Set Screw for 225395..... |
| 201696J | 7418 | Thread Unwinder Thread Guide Lock Nut for 150088..... |
| 202490 | 20787 | Thread Unwinder Spool Stand with 200383c, for 150088..... |
| 225257 | 20787 | Thread Unwinder Spool Rest (for two spools) with 201018c, for 150088..... |
| 225322 | 7418 | Thread Unwinder Thread Guide Rod Washer for 225324..... |
| 225324 | 20787 | Thread Unwinder Thread Guide Rod with 208E and 225322, for 150088.... |
| 225326 | 7418 | Thread Unwinder Thread Guide Position Cup for 150088..... |
| 225388 | 20787 | Thread Unwinder Spool Rest Rod for 150088..... |
| 225390 | 7234 | Thread Unwinder Thread Cone Holder, for inverted cones, for 150088..... |
| 225391 | 20787 | Thread Unwinder Thread Guide for 150088..... |

**Genuine Singer Needles should be used
in Singer Machines.
These Needles and their Containers
are marked with the
Company's Trade Mark "SIMANCO." 1**

**Needles in Containers marked
"For Singer Machines"
are not Singer made needles. 2**

ILLUSTRATIONS OF PARTS

FOR

MACHINE No. 81-63

ILLUSTRATIONS OF PARTS
FOR
MACHINE No. 81-63

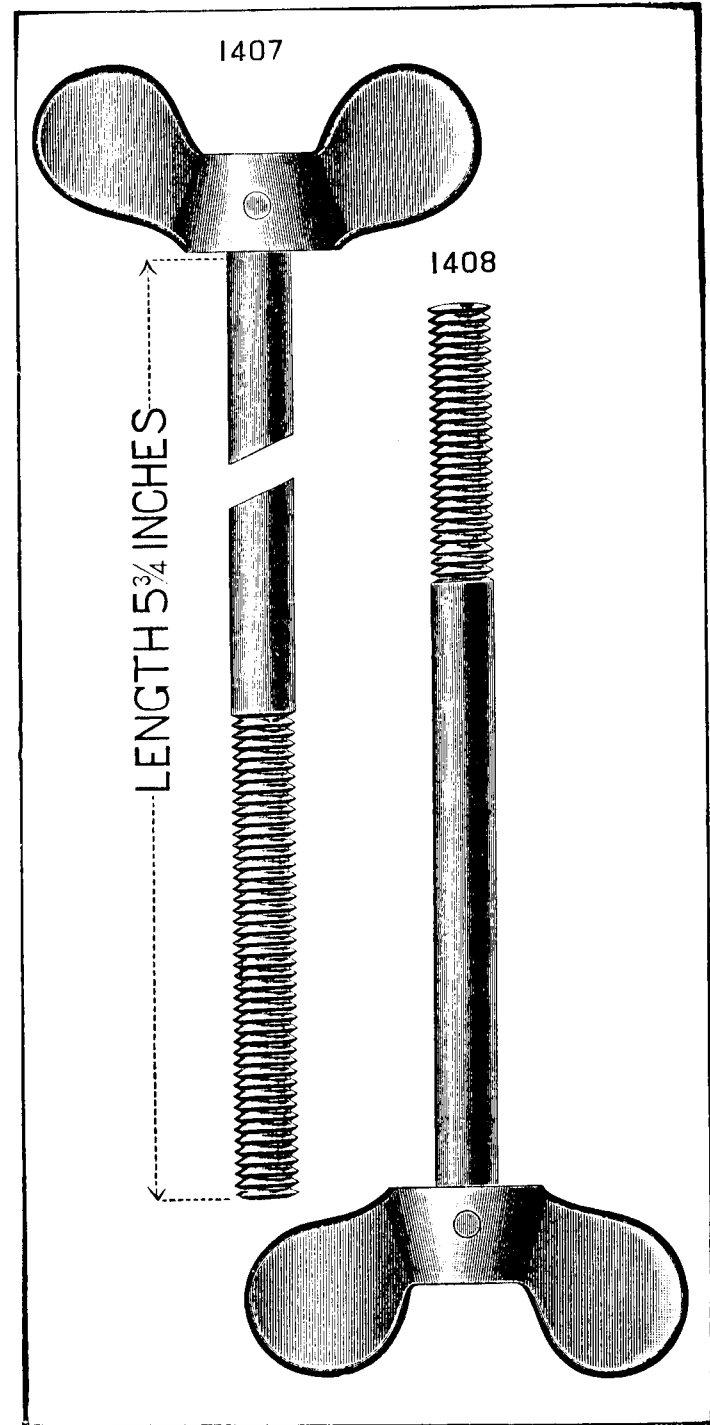
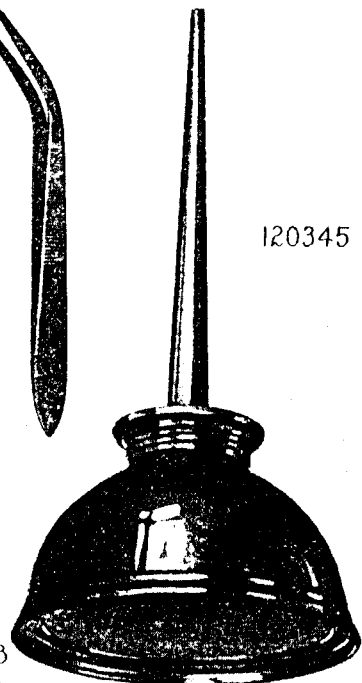


PLATE 5566—ONE-HALF SIZE

120341



120344



120345

120440 42090



8908



42089

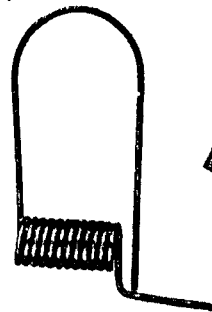
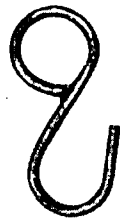


4822



4883

4879



56864



4882



PLATE 7234—ONE-HALF SIZE

27739



225390

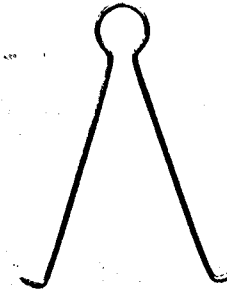


PLATE 7412—FULL SIZE

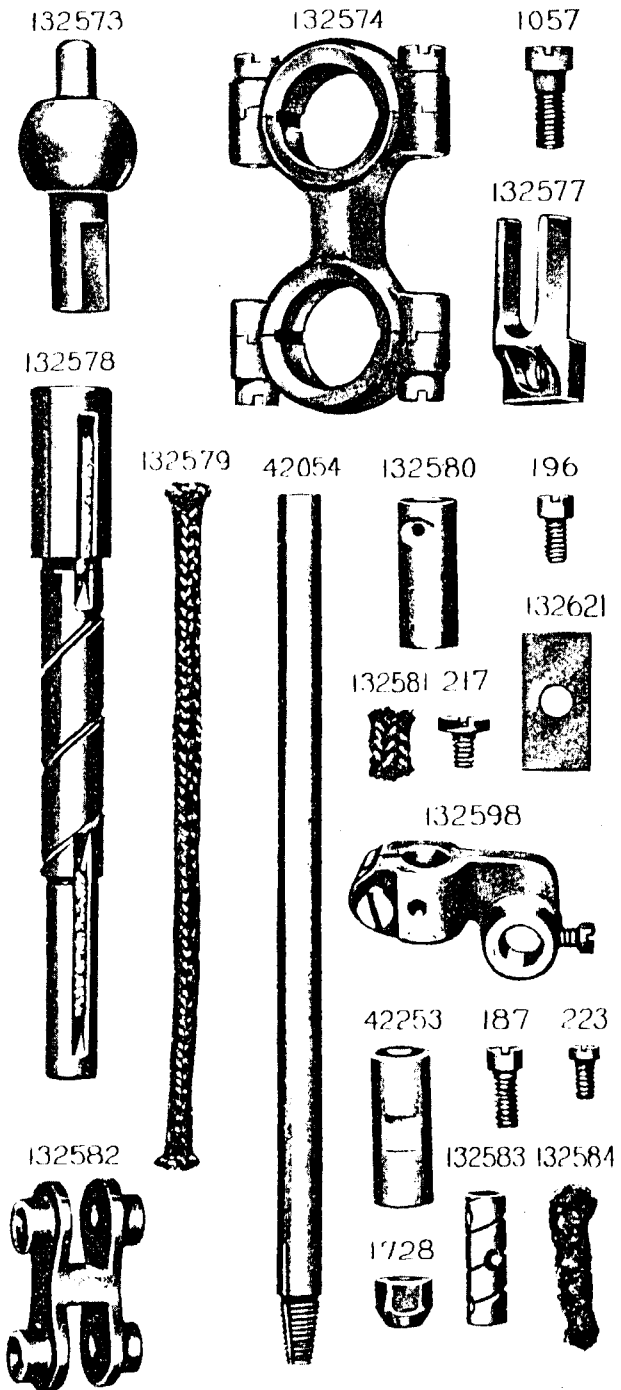


PLATE 7413—FULL SIZE

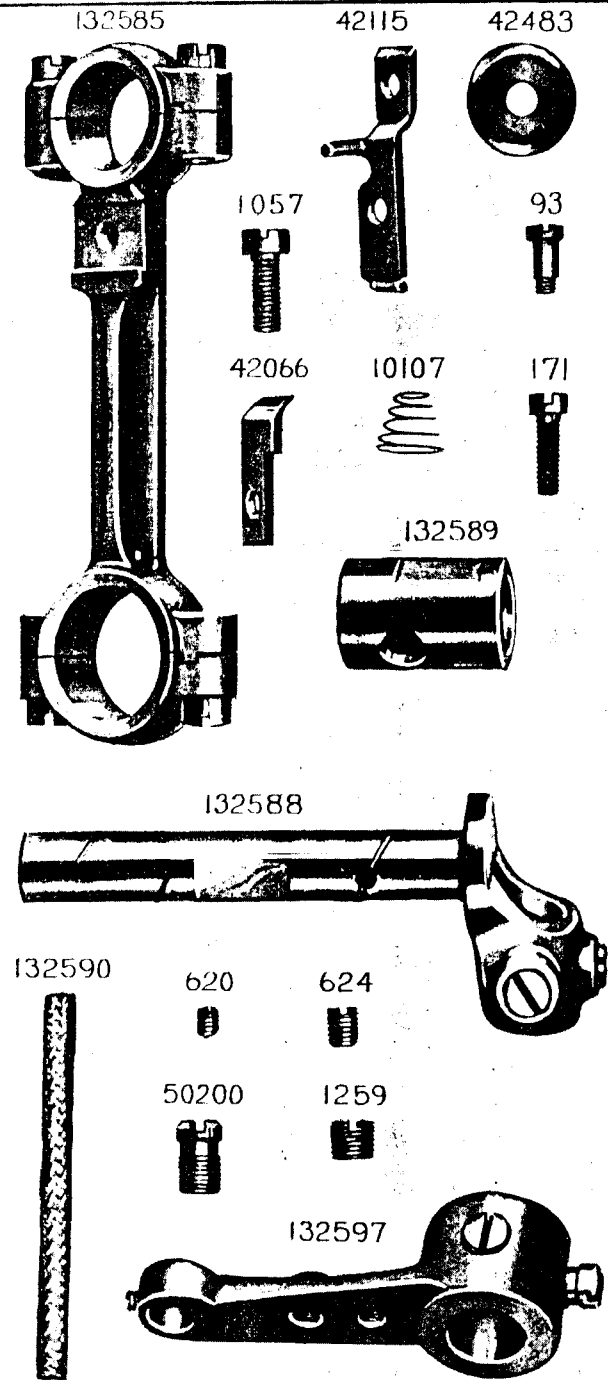


PLATE 7414—FULL SIZE

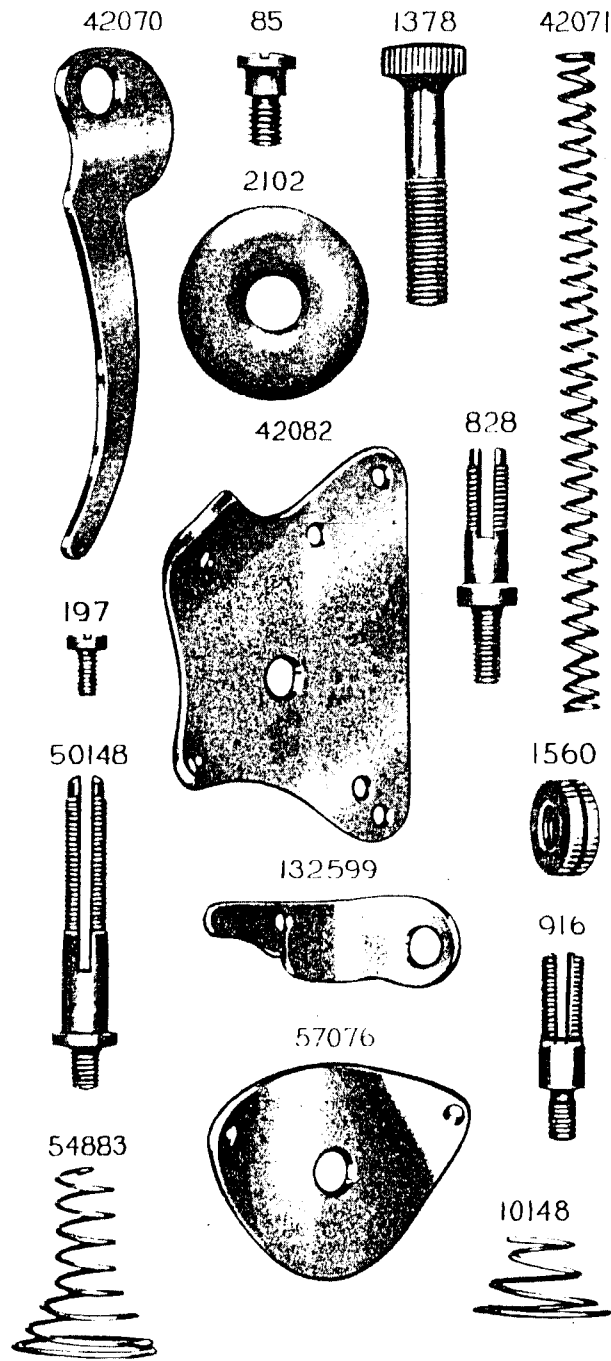


PLATE 7416—FULL SIZE

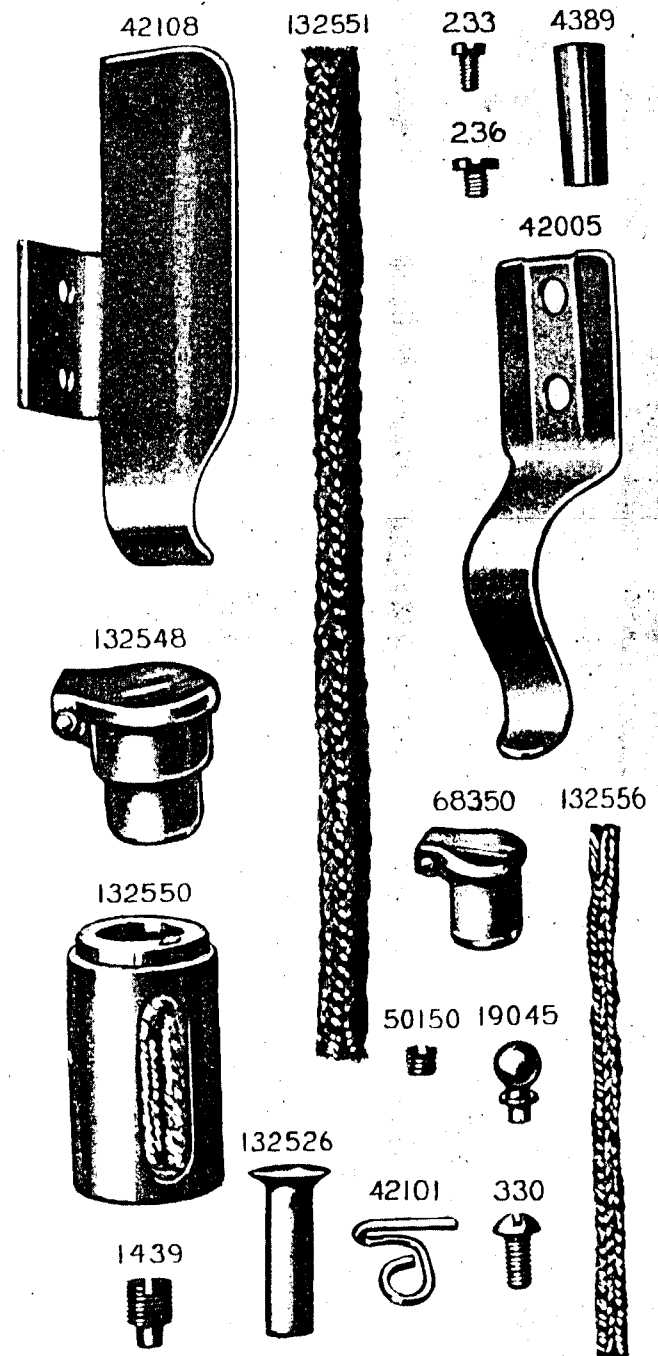


PLATE 7417—FULL SIZE

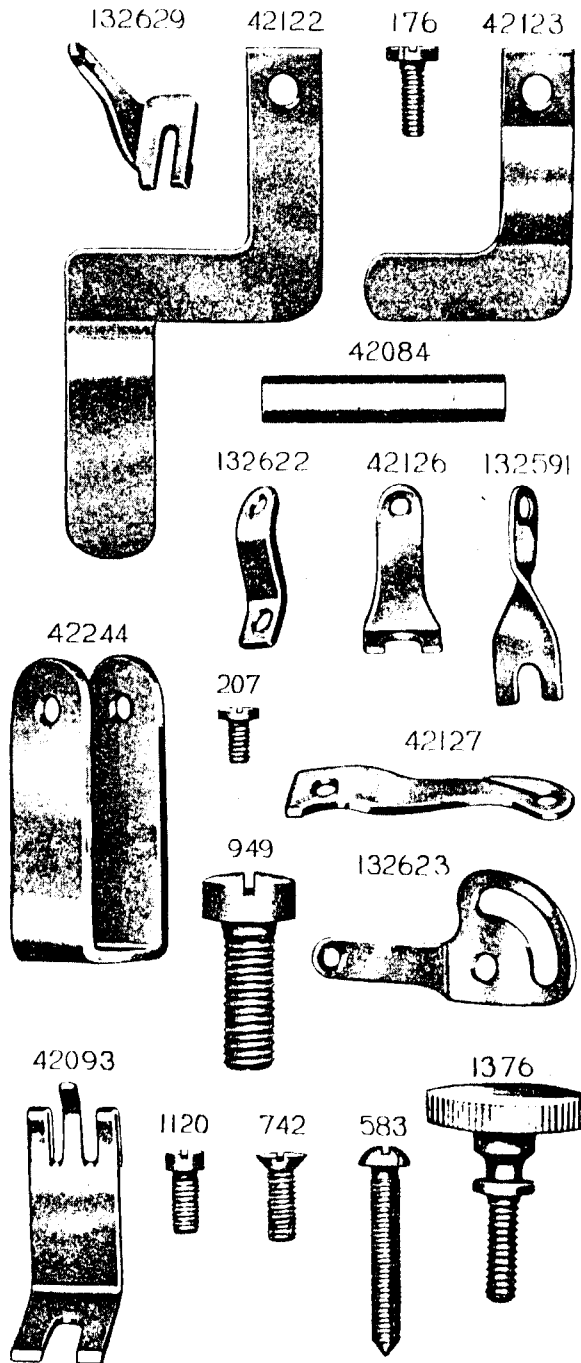


PLATE 7418—FULL SIZE

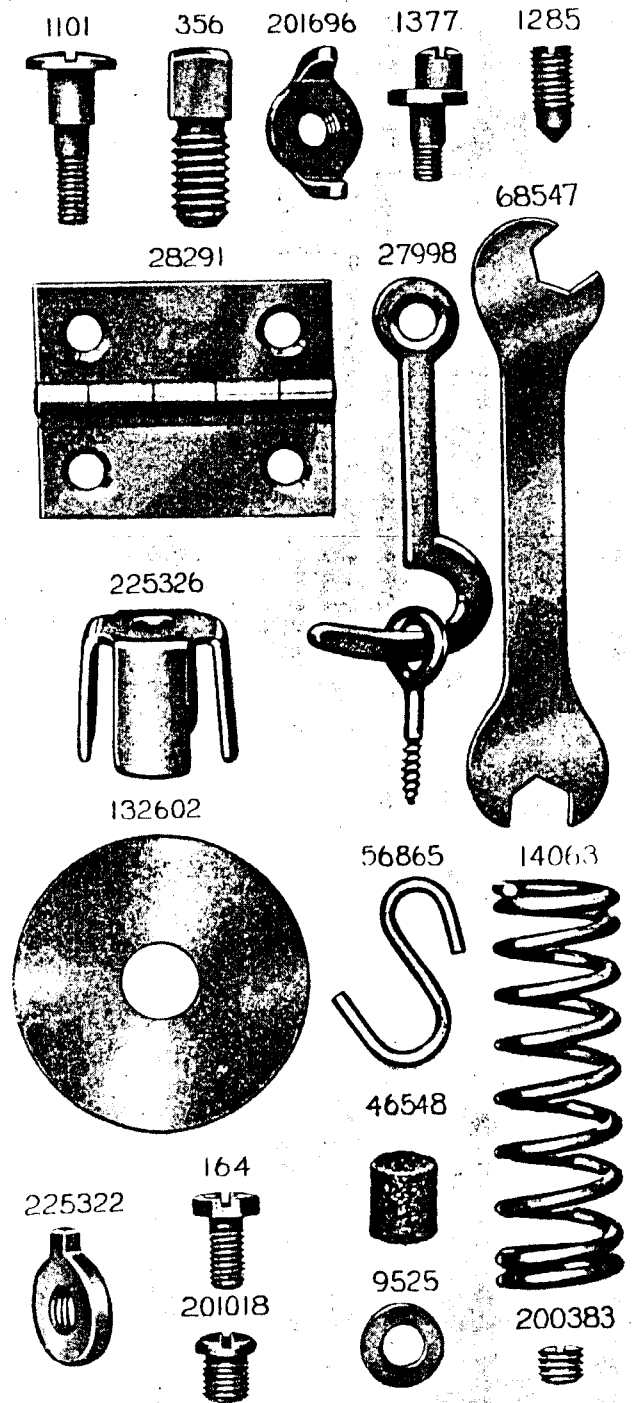
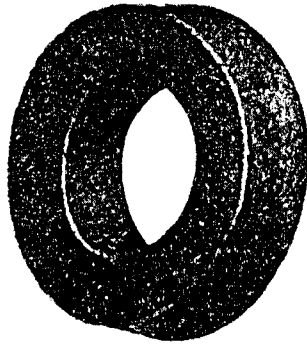


PLATE 7419—FULL SIZE

132596



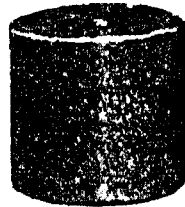
132595



132618



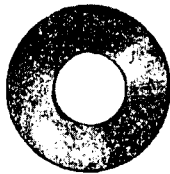
42088



51576



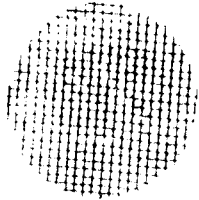
9842



54477



132593



935

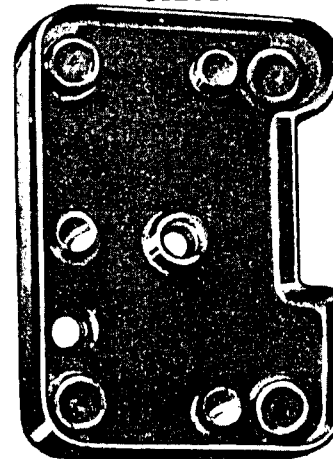


132594

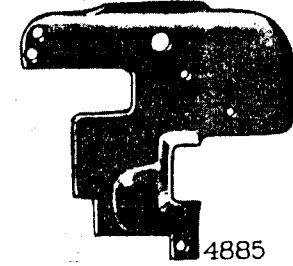


PLATE 20779—ONE-FOURTH SIZE

132647



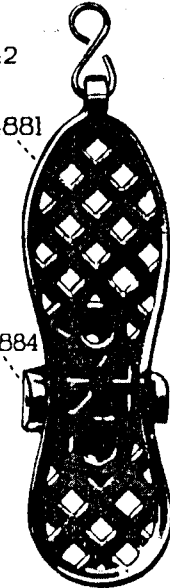
132636



42142



4881



4884

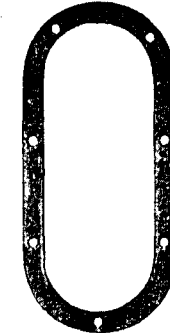
132546



7125



132547



42143



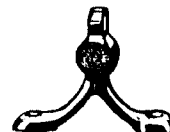
2770

12242

6337

2763

2770



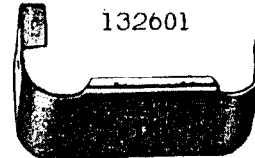
2765

2766

132524



132601



2767

PLATE 20780—FULL SIZE

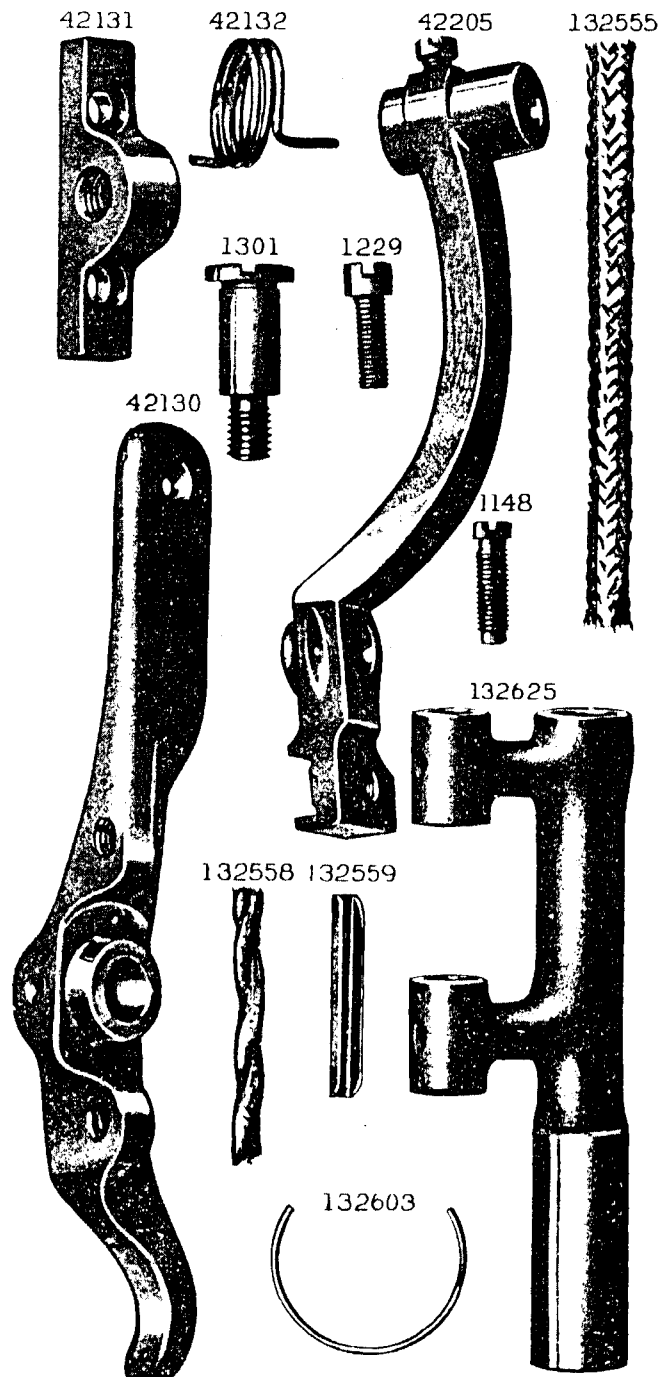


PLATE 20781—FULL SIZE

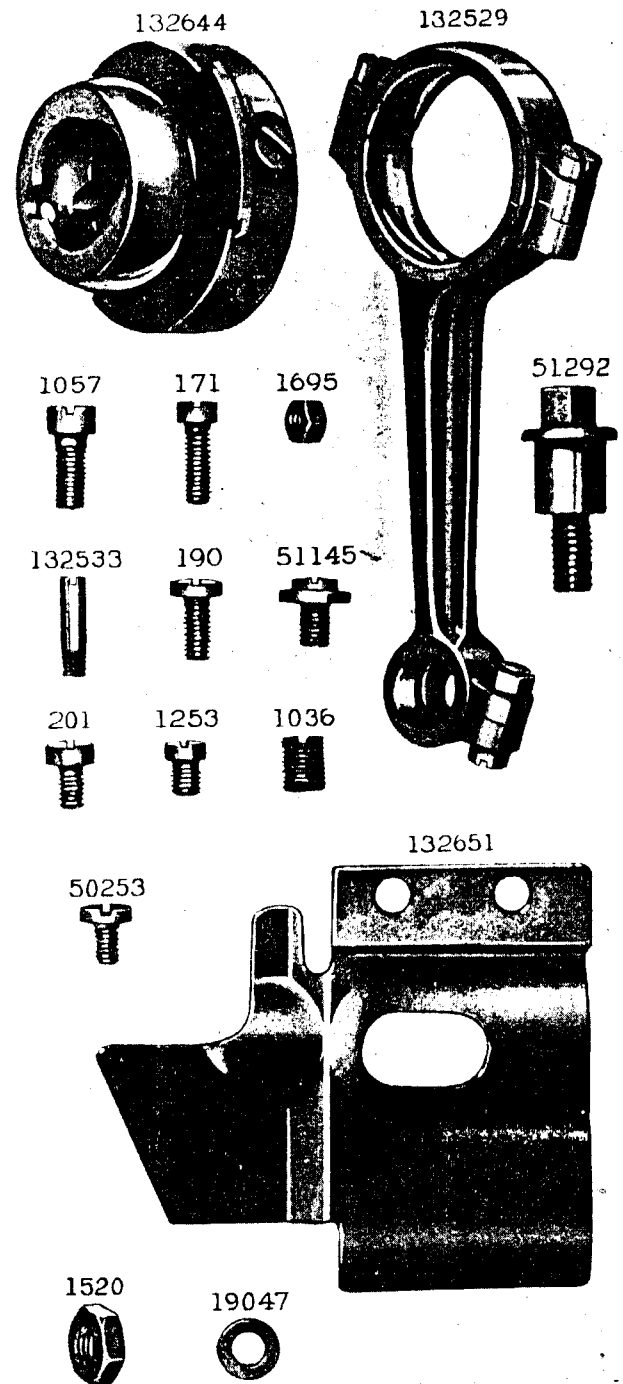


PLATE 20782—FULL SIZE

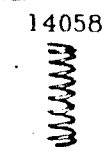
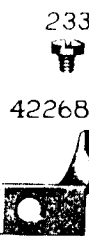
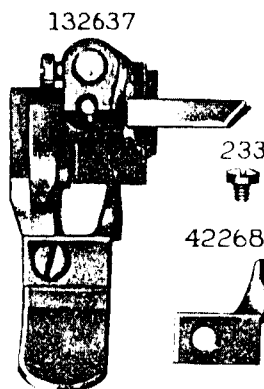
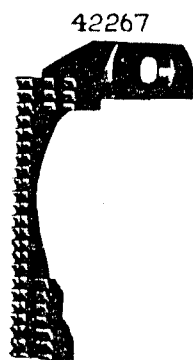
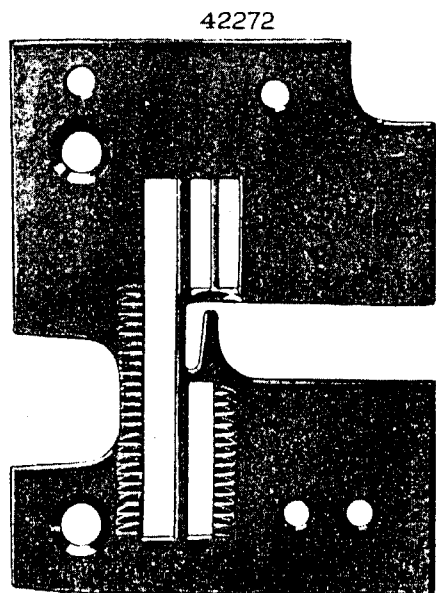


PLATE 20783—FULL SIZE

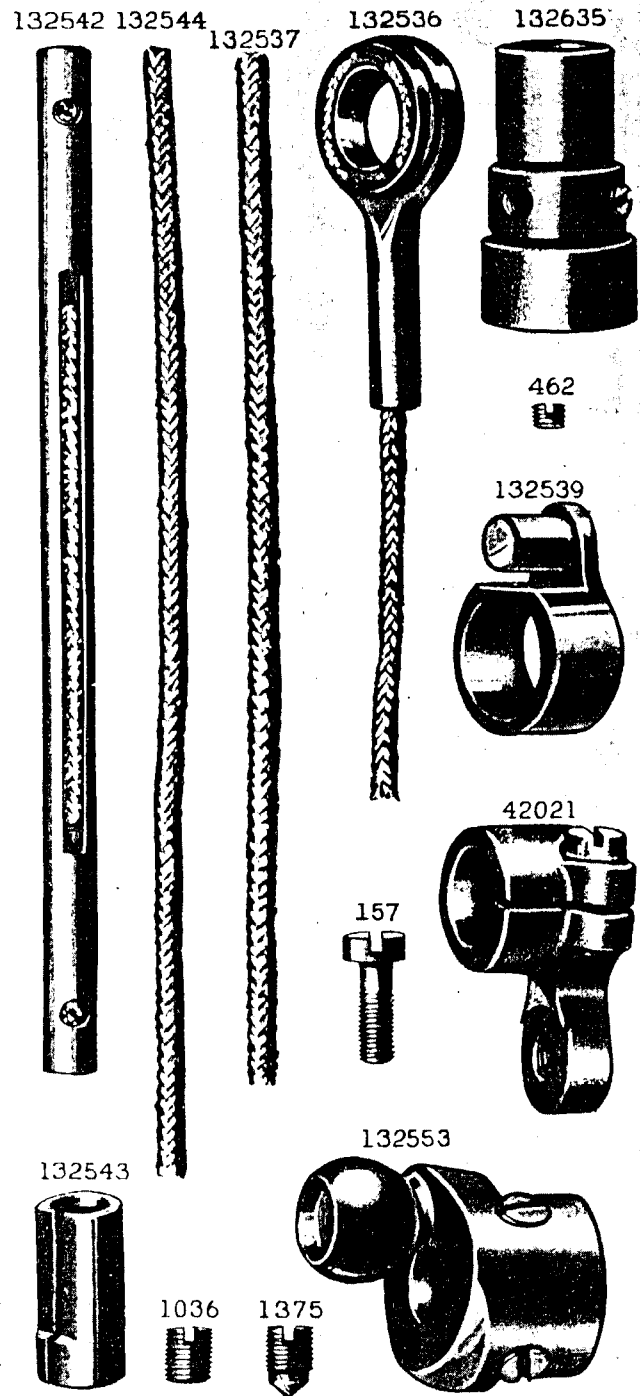


PLATE 20784—ONE-HALF SIZE

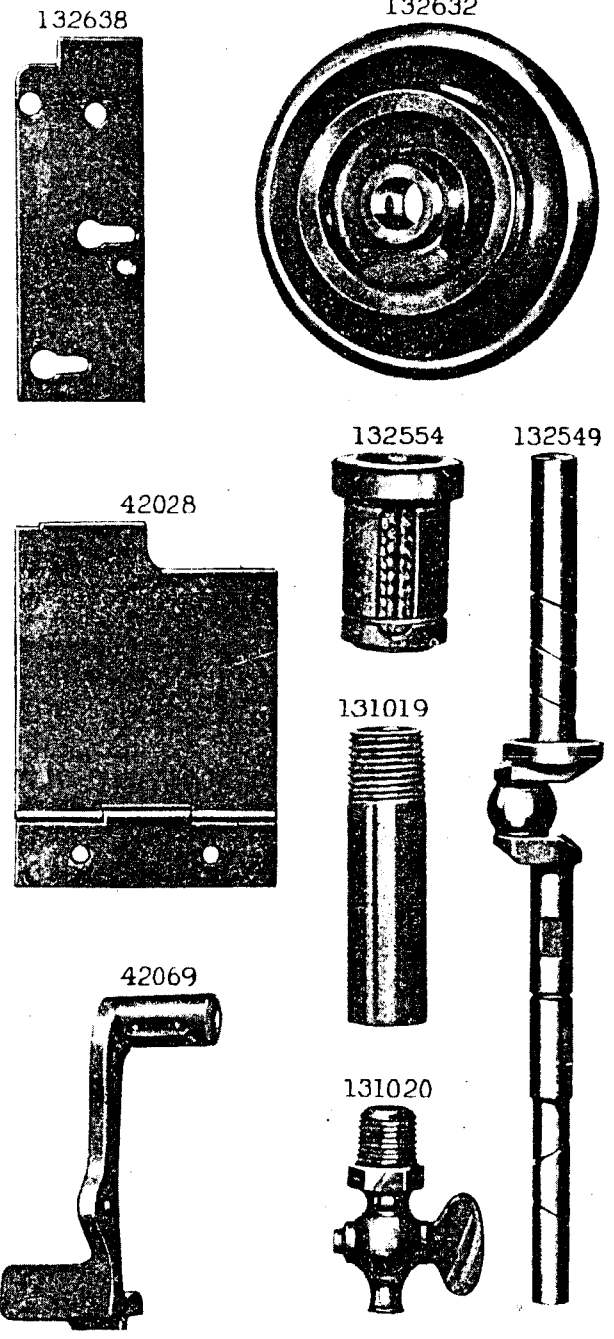


PLATE 20785—FULL SIZE

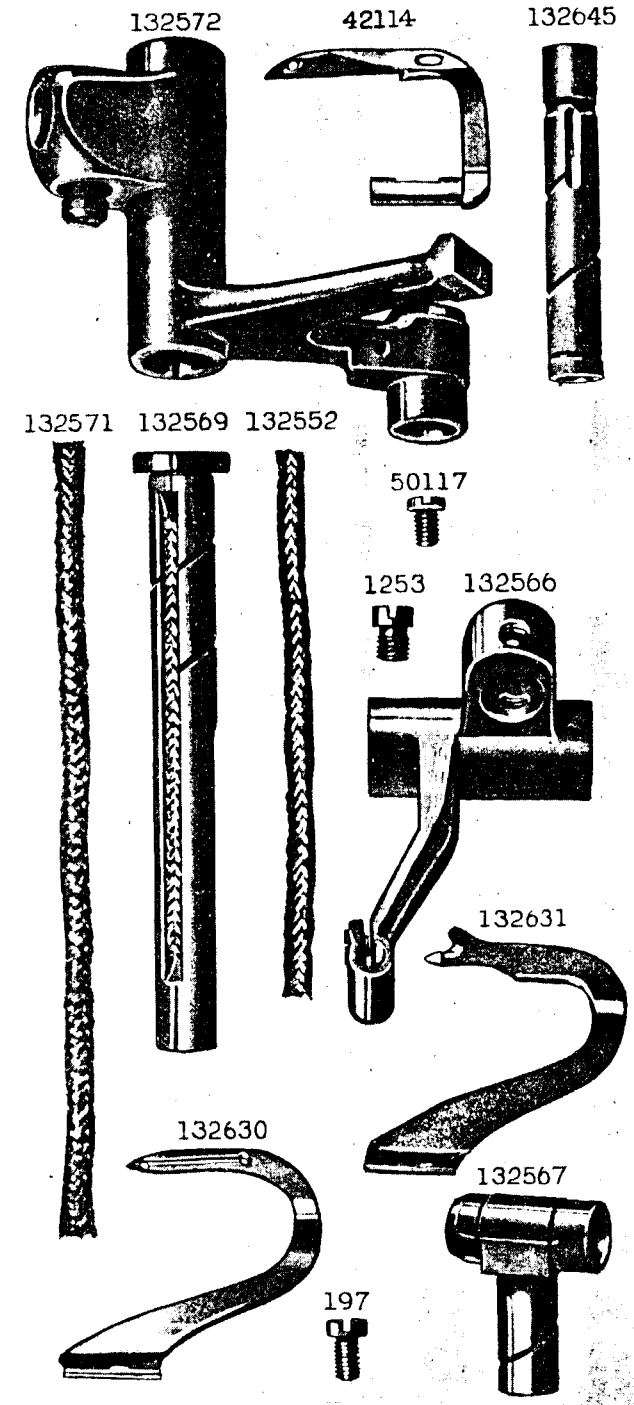


PLATE 20786—FULL SIZE

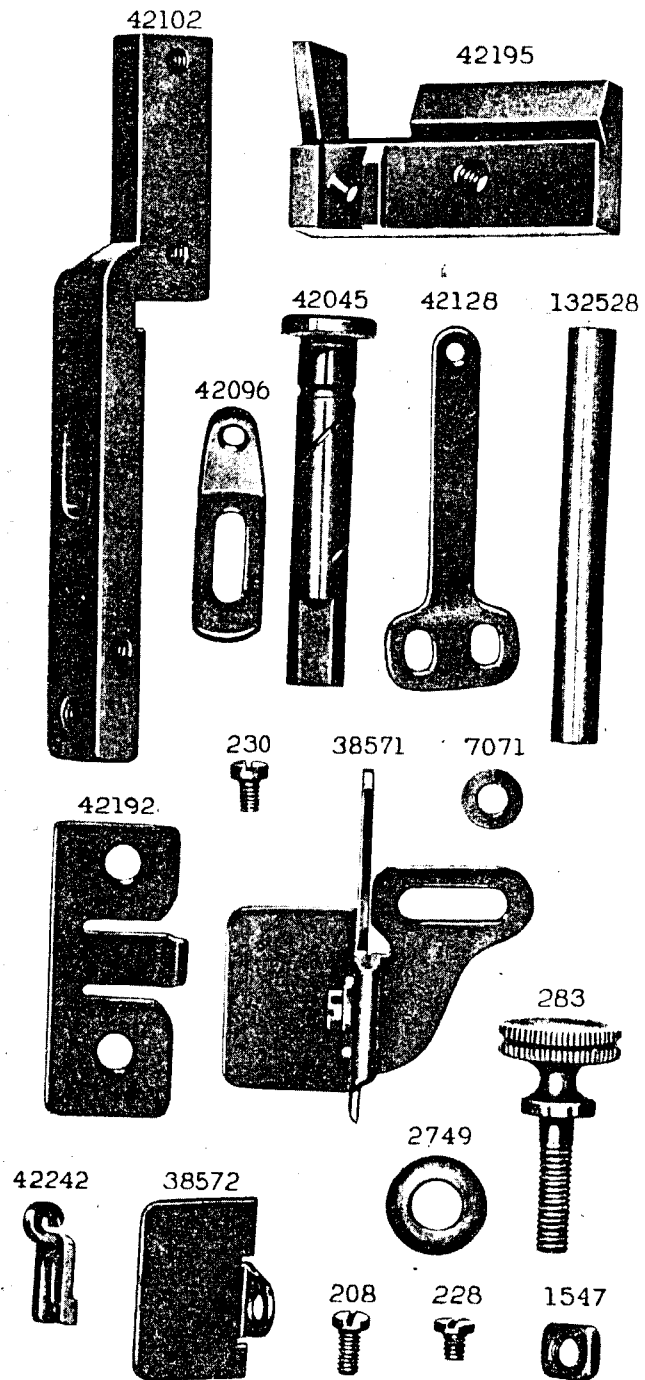


PLATE 20787—ONE-SIXTH SIZE

