

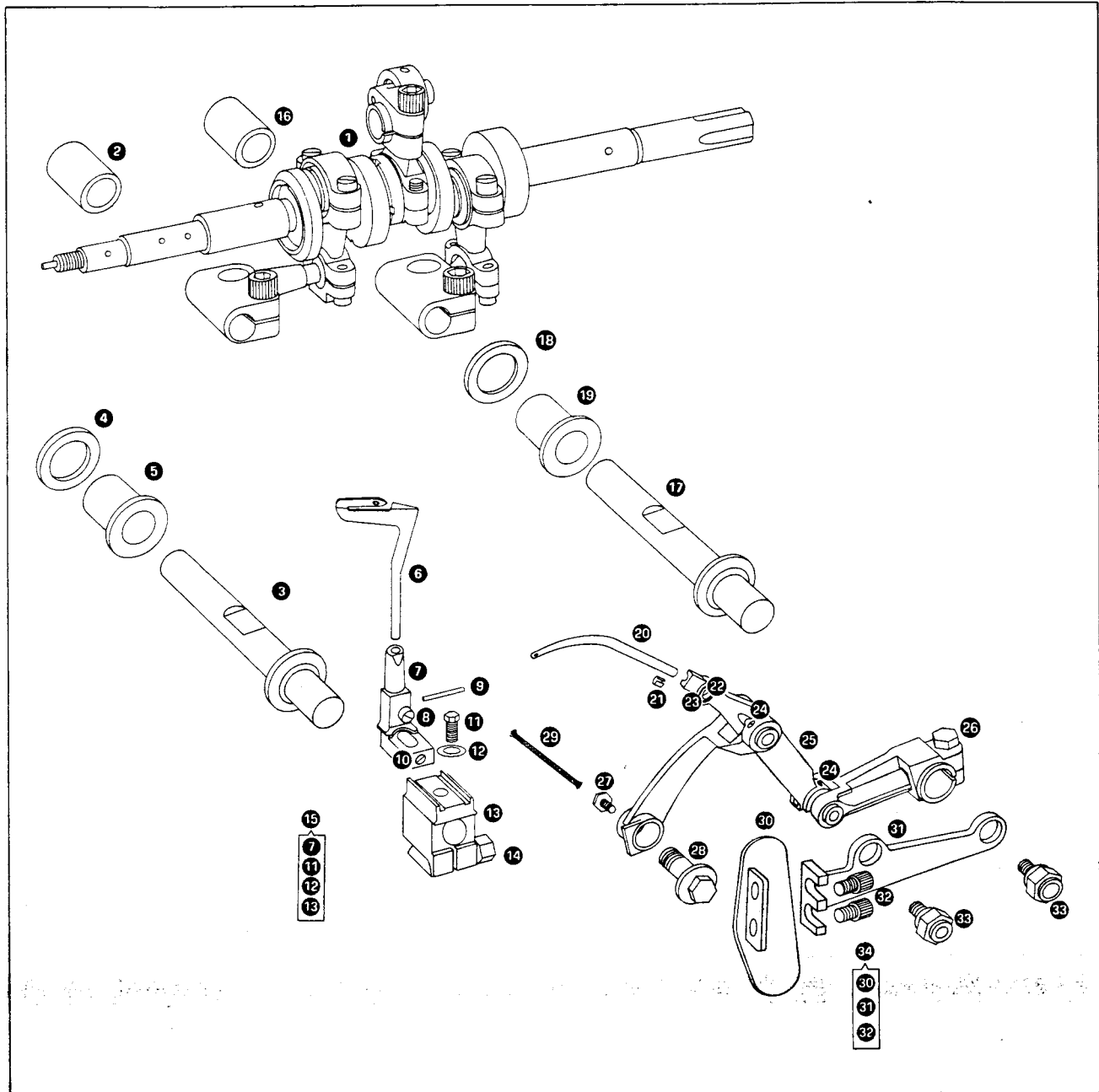
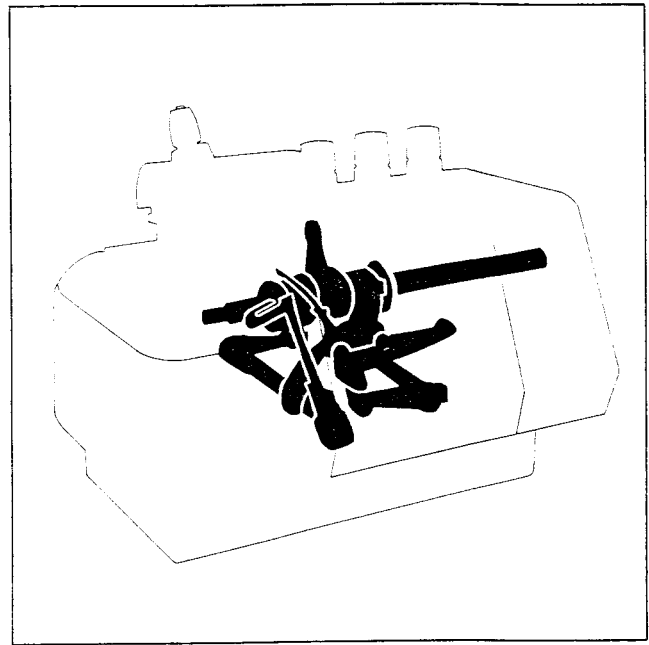
SINGER
990B3,B4

Parts List

SINGER

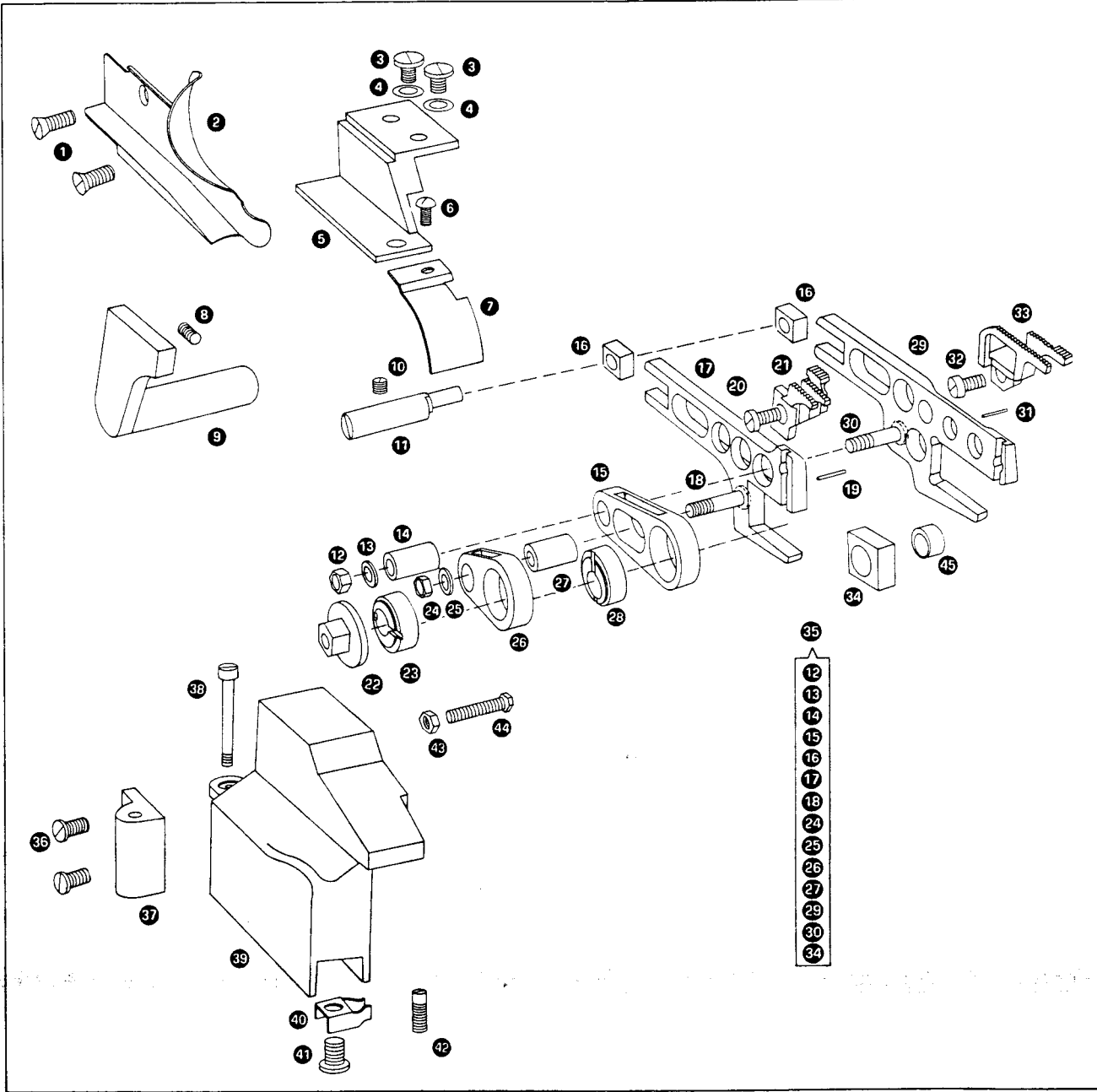
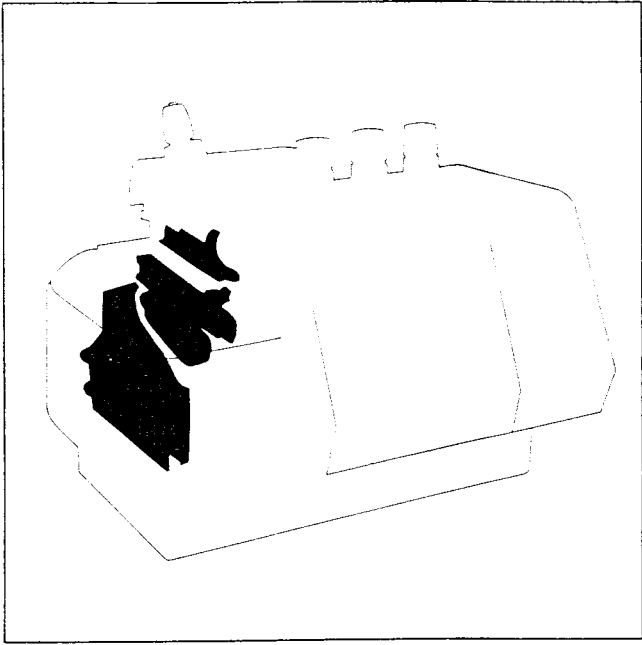
Parts List for 990B3 Machine

| Ref. No. | Part No. For Ordering | Description | Amt. Req. |
|----------|--------------------------|--|--------------|
| 1 | 107031 115699 | Machine Frame Rotary Shaft with Looper (left and right hand) and Needle Driving Shafts Crank Connections. Note: The major components of this mechanism are selectively mated. Therefore only a complete replacement mechanism will be supplied from Clydebank Factory should any of the major components become damaged. However the Needle Driving Shaft Crank Clamping Screw No. 114091, the Looper Shafts Crank Clamping Screws No. 114092, the Crank Connections Cap Screws (Upper) No. 171 (830), Crank Connections Cap Screws (Lower) No. 140159 (830) and the Rotary Shaft Oil Metering Pin No. 107037 can be supplied and fitted as replacements without disturbing the selective mating of the major components. | |
| 2 | 106477 | Looper (left hand) Driving Shaft Bushing (back) | |
| 3 | 106475 | Looper (left hand) Driving Shaft | |
| 4 | 164053 | Looper (left hand) Driving Shaft Thrust Washer | |
| 5 | 106478 | Looper (left hand) Driving Shaft Bushing (front) | |
| 6 | 106473 | Looper (left hand) | |
| 7 | 164046 | Looper (left hand) Carrier with 460 (830) and 50379 (806) | |
| 8 | 50379 (806) | Looper (left hand) Set Screw | |
| 9 | 164202 | Looper (left hand) Stop Pin | |
| 10 | 460 (830) | Looper (left hand) Carrier Set Screw | |
| 11 | 1324 (803) | Looper (left hand) Carrier Screw | |
| 12 | 59456 | Looper (left hand) Carrier Washer | |
| 13 | 164660 | Looper (left hand) Carrier Holder with 1083 (803) | |
| 14 | 1083 (803) | Looper (left hand) Carrier Holder Clamping Screw | |
| 15 | 164661 | Looper (left hand) Carrier Holder 164660 with 1324 (803), 59456 and 164046 | |
| 16 | 106477 | Looper (right hand) Driving Shaft Bushing (back) | |
| 17 | 106491 | Looper (right hand) Driving Shaft | |
| 18 | 164053 | Looper (right hand) Driving Shaft Crank Thrust Washer | |
| 19 | 106492 | Looper (right hand) Driving Shaft Bushing (front) | |
| 20 | 87027 | Looper (right hand) | |
| 21 | 101970 | Looper (right hand) Position Collar | |
| 22 | 164068 | Looper (right hand) Lock Screw Stud | |
| 23 | 1700 (809) | Looper (right hand) Lock Screw Stud Nut | |
| 24 | 109927 (869) | Looper (right hand) Carrier Connecting Link Hinge Pin Set Screw | 2 |
| 25 | 106495 | Looper (right hand) Four-Bar Linkage Mechanism Note: The major components of this mechanism are selectively mated. Therefore only a complete replacement mechanism will be supplied from Clydebank Factory should any of the major components become damaged. | |
| 26 | 1083 (803) | Looper (right hand) Driving Lever Clamping Screw | |
| 27 | 114075 | Looper (right hand) Carrier Connecting Link Adjusting Sleeve Cap Screw (back) | |
| 28 | 109795 (803) | Looper (right hand) Carrier Connecting Link Adjusting Screw (front) | |
| 29 | 106494 | Looper (right hand) Driving Shaft Oil Wick | |
| 30 | 106496 | Looper (right hand) Four-Bar Linkage Mechanism Stabiliser | |
| 31 | 106498 | Looper (right hand) Four-Bar Linkage Mechanism Stabiliser Support Bracket | |
| 32 | 350680 | Looper (right hand) Four-Bar Linkage Mechanism Stabiliser Screw | 2 |
| 33 | 114036 | Looper (right hand) Four-Bar Linkage Mechanism Stabiliser Securing Screw | 2 |
| 34 | 106497 | Looper (right hand) Four-Bar Linkage Mechanism Stabiliser 106496 with 106498 and two 350680 | |



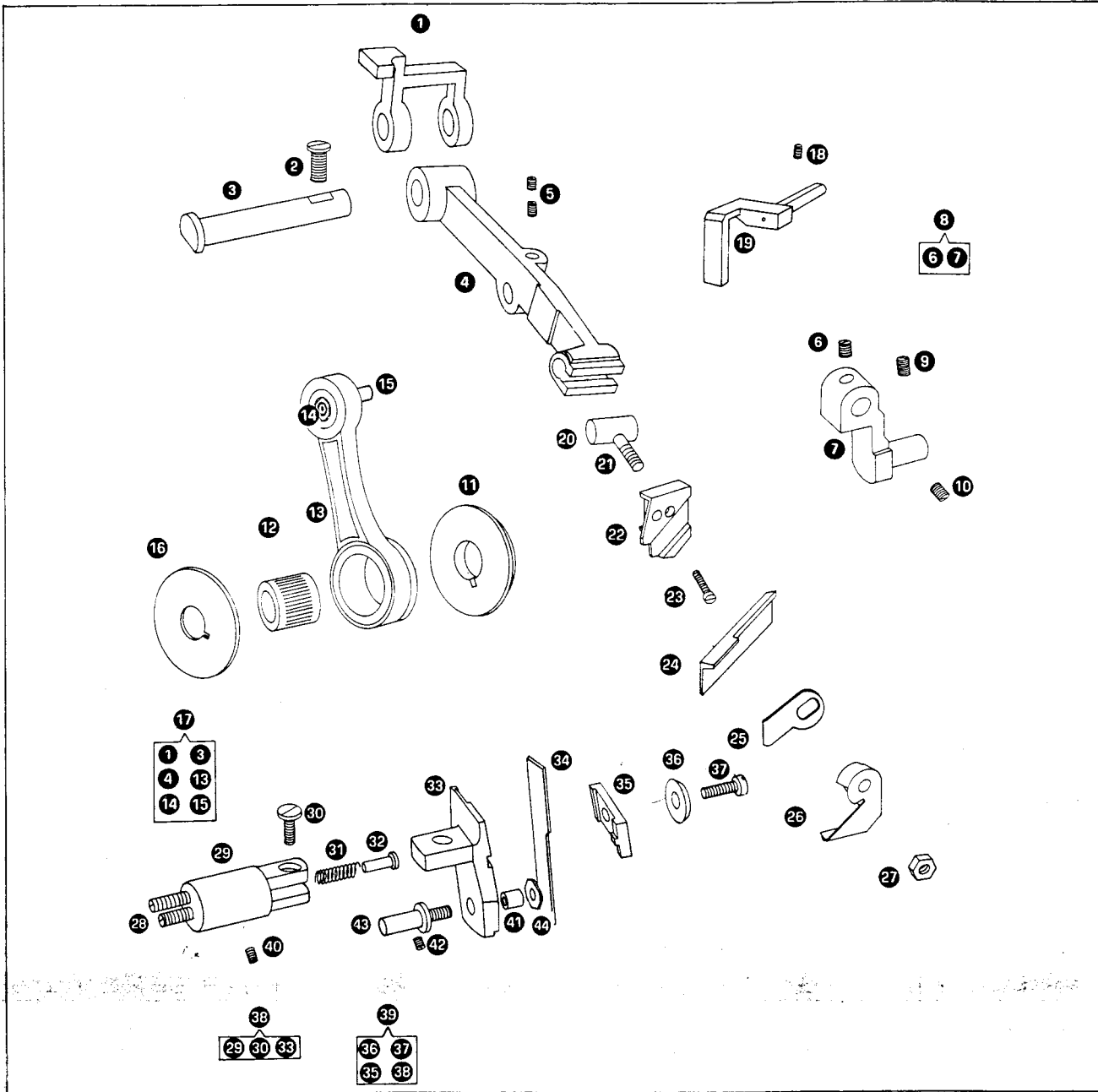
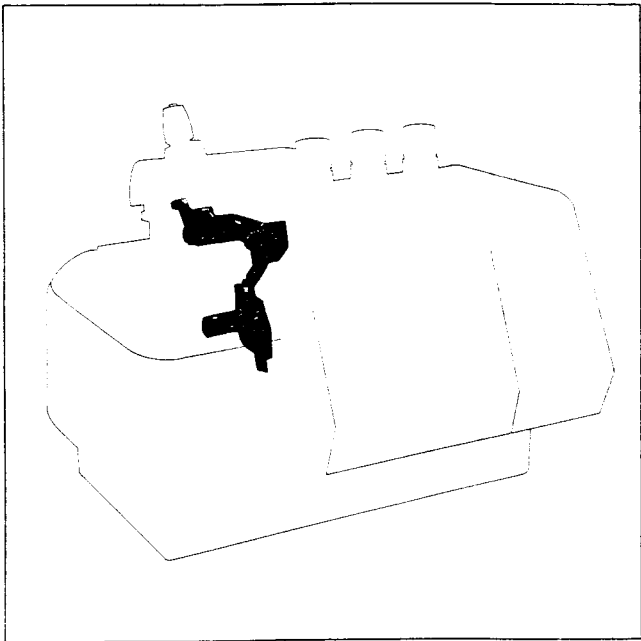
Parts List for 990B3 Machine

| Ref. No. | Part No. For Ordering | Description | Amt. Req. |
|----------|--------------------------|--|--------------|
| 1 | 1231 (818) | Machine Frame Oil Splash Guard (top) Screw | 2 |
| 2 | 107176 | Machine Frame Oil Splash Guard (top) | |
| 3 | 1209 (830) | Feed Bar Guide Screw | 2 |
| 4 | 175032 | Feed Bar Guide Screw Washer | 2 |
| 5 | 107115 | Feed Bar Guide | |
| 6 | 1443 (813) | Feed Eccentric Oil Cover Screw | |
| 7 | 81202 | Feed Eccentric Oil Cover | |
| 8 | 140346 (830) | Machine Frame Oil Plug Bracket Set Screw | |
| 9 | 107028 | Machine Frame Oil Plug Bracket | |
| 10 | 1389 (830) | Feed Bar Hinge Pin Set Screw | |
| 11 | 107162 | Feed Bar Hinge Pin (eccentric) | |
| 12 | 1718 (803) | Feed (front) Bar Connection Hinge Screw Stud Nut | |
| 13 | 9525 | Feed (front) Bar Connection Hinge Screw Stud Nut Washer | |
| 14 | 107160 | Feed (front) Bar Connection Bearing | |
| 15 | 106442 | Feed (front) Bar Connection | |
| 16 | 164004 | Feed Bar Slide Block (back) | 2 |
| 17 | 164687 | Feed (back) Bar | |
| 18 | 164009 | Feed (back) Bar Connection Hinge Screw Stud | |
| 19 | 164010 | Feed (back) Bar Connection Hinge Screw Stud Position Pin | |
| 20 | 1454 (806) | Feed (back) Dog Screw | |
| 21 | 106444 | Feed (back) Dog | |
| 22 | 113177 | Machine Frame Rotary Shaft Nut | |
| 23 | 106445-014 | Feed (back) Eccentric (14 stitches to the inch) Note: Eccentrics for 6 to 36 stitches per inch are available as alternatives. | |
| 24 | 1718 (803) | Feed (back) Bar Connection Hinge Screw Stud Nut | |
| 25 | 9525 (803) | Feed (back) Bar Connection Hinge Screw Stud Nut Washer | |
| 26 | 106447 | Feed (back) Bar Connection | |
| 27 | 164018 | Feed (back) Bar Connection Bearing | |
| 28 | 106445-014 | Feed (front) Eccentric Note: Eccentrics for 6 to 36 stitches per inch are available as alternatives. | |
| 29 | 164006 | Feed (front) Bar | |
| 30 | 164009 | Feed (front) Bar Connection Hinge Screw Stud | |
| 31 | 164010 | Feed (front) Bar Connection Hinge Screw Stud Position Pin | |
| 32 | 1454 (809) | Feed (front) Dog Screw | |
| 33 | 164019 | Feed (front) Dog | |
| 34 | 165135 | Feed Bar Slide Block (front) | |
| 35 | 106448 | Feed (back) and (front) Bars complete, Nos. 106442, 106447, 107160, 164006, 164018, 164687, 165135, two each 1718 (803), 9525 (803), 164004 and 164009 | |
| 36 | 51369 | Feed Eccentric Cover Hinge Bracket Screw | 2 |
| 37 | 106450 | Feed Eccentric Cover Hinge Bracket | |
| 38 | 114071 | Feed Eccentric Cover Hinge Screw | |
| 39 | 106449 | Feed Eccentric Cover | |
| 40 | 107172 | Feed Eccentric Cover Latch Spring | |
| 41 | 227 (809) | Feed Eccentric Cover Latch Spring Screw | |
| 42 | 1250 | Feed Eccentric Cover Latch Spring Retaining Screw Stud | |
| 43 | 1700 (819) | Feed Eccentric Cover Positioning Screw Lock Nut | |
| 44 | 141575 | Feed Eccentric Cover Positioning Screw | |
| 45 | 107185 | Feed Lifting Eccentric | |



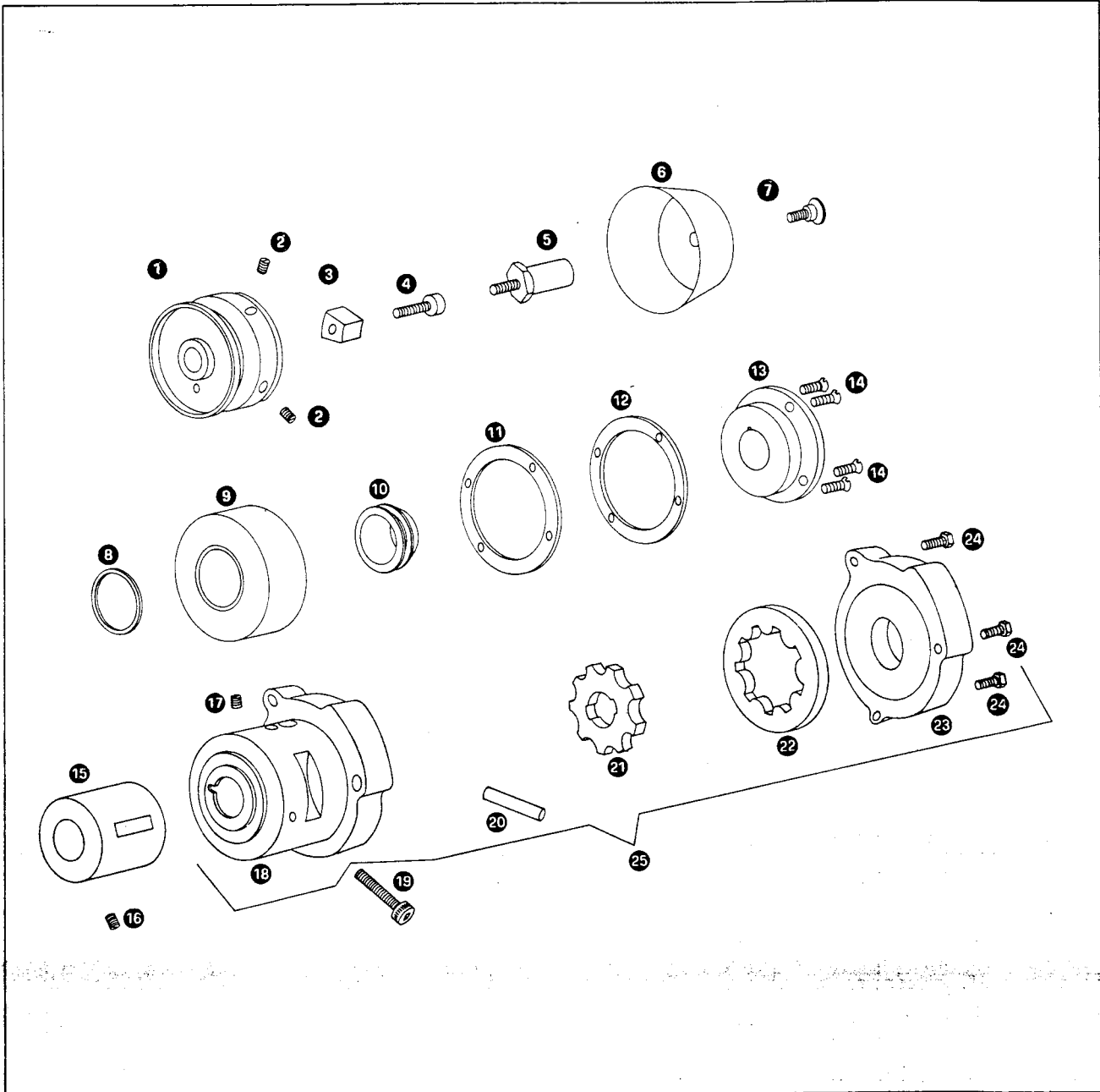
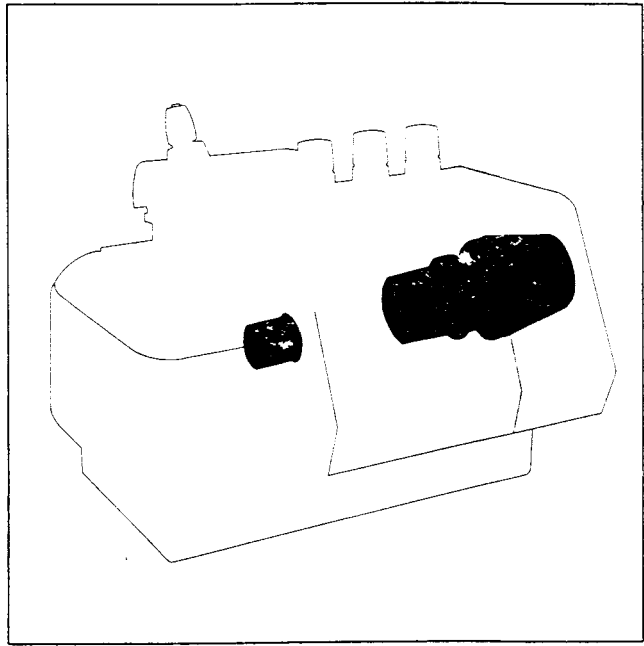
Parts List for 990B3 Machine

| Ref. No. | Part No. For Ordering | Description | Amt Req. |
|----------|--------------------------|---|-------------|
| 1 | 107161 | Presser Bar Bracket | |
| 2 | 1143 (830) | Knife (moveable) Lever Hinge Stud Set Screw | |
| 3 | 106466 | Knife (moveable) Lever Hinge Stud. | |
| 4 | 107575 | Knife (moveable) Lever with two 141292 (869) | |
| 5 | 141292 (869) | Knife (moveable) Lever Hinge Pin Set Screw | 2 |
| 6 | 1259 | Knife (moveable) Lever Bearing and Attachment Bracket Screw | |
| 7 | 87029 | Knife (moveable) Lever Bearing and Attachment Bracket | |
| 8 | 87262 | Knife (moveable) Lever Bearing and Attachment Bracket 87029 with 1259 | |
| 9 | 447 (830) | Knife (moveable) Lever Bearing and Attachment Bracket Set Screw (long) | |
| 10 | 624 (830) | Knife (moveable) Lever Bearing and Attachment Bracket Set Screw (short) | |
| 11 | 107192 | Knife (moveable) Lifting Lever Retaining Washer and Oil Sling | |
| 12 | 107628 | Knife (moveable) Lifting Lever Needle Bearing | |
| 13 | 107576 | Knife (moveable) Lifting Lever | |
| 14 | 1628 (809) | Knife (moveable) Lever Hinge Pin Bearing Lock Nut | |
| 15 | 107188 | Knife (moveable) Lever Hinge Pin | |
| 16 | 107191 | Knife (moveable) Lifting Lever Retaining Washer | |
| 17 | 106455 | Knife (moveable) Lever 107575 with 1628 (809), 106466, 107161, 107188 and 107576 | |
| 18 | 447 (830) | Knife (moveable) Lever Guide Set Screw | |
| 19 | 106464 | Knife (moveable) Lever Guide | |
| 20 | 106454 | Knife (moveable) Holder Adjusting Stud Block | |
| 21 | 114072 | Knife (moveable) Holder Screw Stud | |
| 22 | 106132 | Knife (moveable) Holder | |
| 23 | 198 (819) | Knife (moveable) Holder Screw | |
| 24 | 164550 | Knife (moveable) | |
| 25 | 165487 | Knife (moveable) Guard (upper) | |
| 26 | 106452 | Knife (moveable) Guard (lower) | |
| 27 | 1628 (819) | Knife (moveable) Holder Screw Stud Nut | |
| 28 | 50611 (803) | Knife (stationary) and Needle Guard Holder Position Screw | 2 |
| 29 | 164745 | Knife (stationary) and Needle Guard Holder Body with two 50611 (803) | |
| 30 | 141444 (831) | Knife (stationary) and Needle Guard Holder Screw | |
| 31 | 164043 | Knife (stationary) and Needle Guard Holder Spring | |
| 32 | 164525 | Knife (stationary) and Needle Guard Holder Spring Stud | |
| 33 | 165062 | Knife (stationary) and Needle Guard Holder | |
| 34 | 164728 | Knife (stationary) | |
| 35 | 164744 | Knife (stationary) Clamping Gib | |
| 36 | 3146 | Knife (stationary) Clamping Gib Screw Washer | |
| 37 | 114032 (803) | Knife (stationary) Clamping Gib Screw | |
| 38 | 165063 | Knife (stationary) and Needle Guard Holder (adjustable) complete, Nos. 141444 (831), 164745 and 165062 | |
| 39 | 165064 | Knife (stationary) and Needle Guard Holder with Gib complete, Nos. 3146, 114032 (803), 164744 and 165063 | |
| 40 | 141004 (830) | Knife (stationary) and Needle Guard Holder Locking Screw | |
| 41 | 106472 | Knife (stationary) and Needle Guard Holder Sleeve | |
| 42 | 114130 | Knife (stationary) and Needle Guard Holder Stud Set Screw | |
| 43 | 106471 | Knife (stationary) and Needle Guard Holder Stud | |
| 44 | 113176 | Knife (stationary) and Needle Guard Holder Stud Lock Nut | |



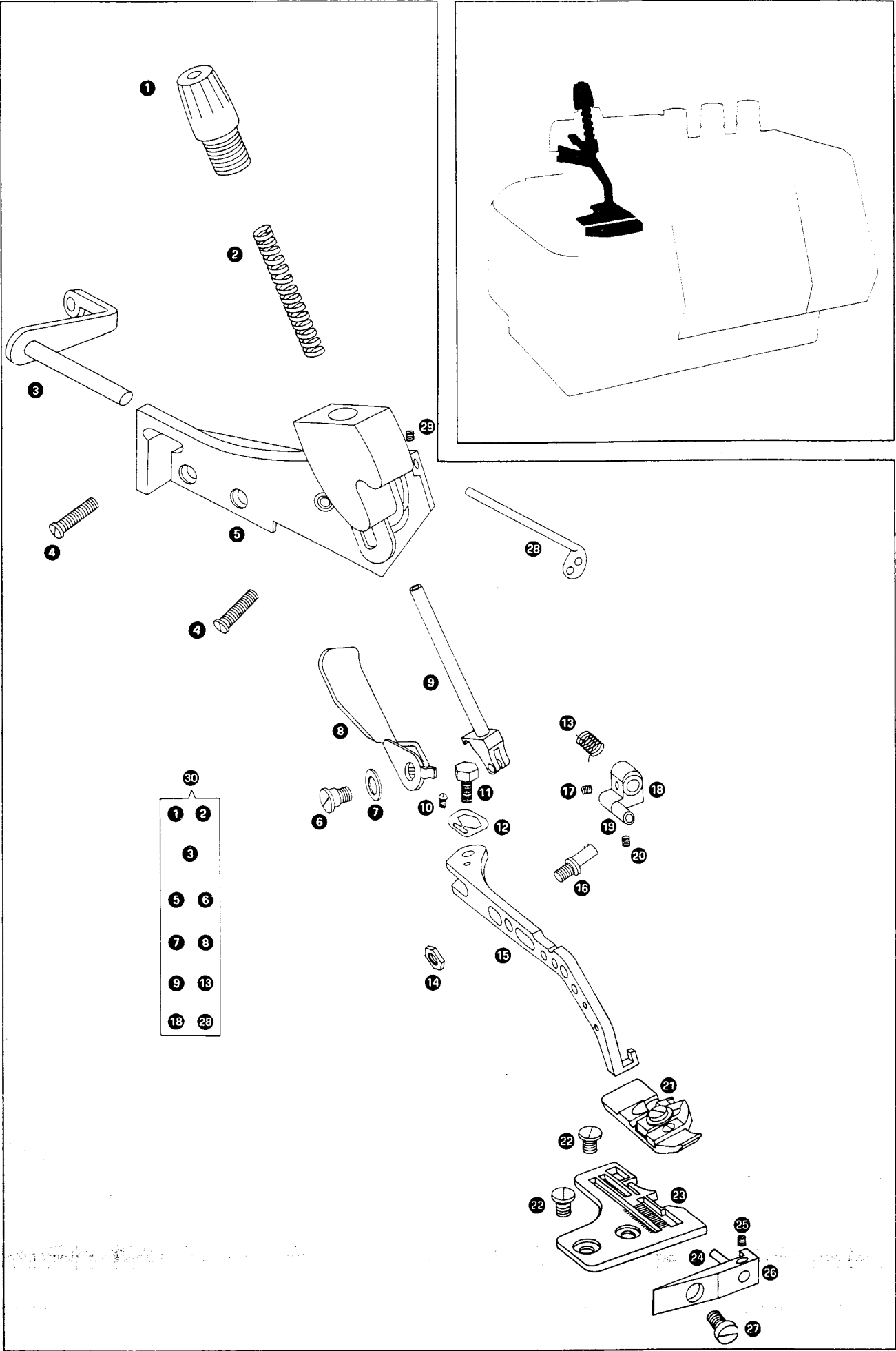
Parts List for 990B3 Machine

| Ref. No. | Part No. For Ordering | Description | Amt. Req. |
|----------|--------------------------|---|--------------|
| 1 | 107045 | Machine Pulley with 896,107036 and two 448 (830) | |
| 2 | 448 (830) | Machine Pulley Set Screw | 2 |
| 3 | 107036 | Machine Frame Rotary Shaft Counterbalance | |
| 4 | 896 | Machine Frame Rotary Shaft Counterbalance Set Screw | |
| 5 | 114077 | Machine Frame Rotary Shaft Screw Stud | |
| 6 | 107046 | Machine Pulley Cap | |
| 7 | 140416 | Machine Pulley Cap Screw | |
| 8 | 164100 | Machine Frame Rotary Shaft Thrust Bearing | |
| 9 | 139026 | Machine Frame Rotary Shaft Ball Bearing | |
| 10 | 164098 | Machine Frame Rotary Shaft Oil Return and Ball Bearing Grease Retainer | |
| 11 | 107177 | Machine Frame Rotary Shaft Ball Bearing Retaining Ring | |
| 12 | 107034 | Machine Frame Rotary Shaft Ball Bearing Housing Gasket | |
| 13 | 107033 | Machine Frame Rotary Shaft Ball Bearing Housing | |
| 14 | 51369 (803) | Machine Frame Rotary Shaft Ball Bearing Housing Screw | 4 |
| 15 | 107035 | Machine Frame Rotary Shaft Bushing (front) | |
| 16 | 1036 (830) | Machine Frame Rotary Shaft Bushing (front) Set Screw | |
| 17 | 448 (830) | Oil Pump Body Set Screw | |
| 18 | 107061 | Oil Pump Body with 448 (830) | |
| 19 | 350647 | Oil Pump Body Clamping Screw | |
| 20 | 107065 | Oil Pump Drive Pin | |
| 21 | 107066 | Oil Pump Rotor (inner) | |
| 22 | 107067 | Oil Pump Rotor (outer) | |
| | | Note: Nos. 107066 and 107067 must be ordered as a set. | |
| 23 | 107064 | Oil Pump Cover | |
| 24 | 1083 (805) | Oil Pump Cover Screw | |
| 25 | 108066 | Oil Pump complete Nos., 1083 (805), 107061, 107064 107065, 107066 and 107067 | |



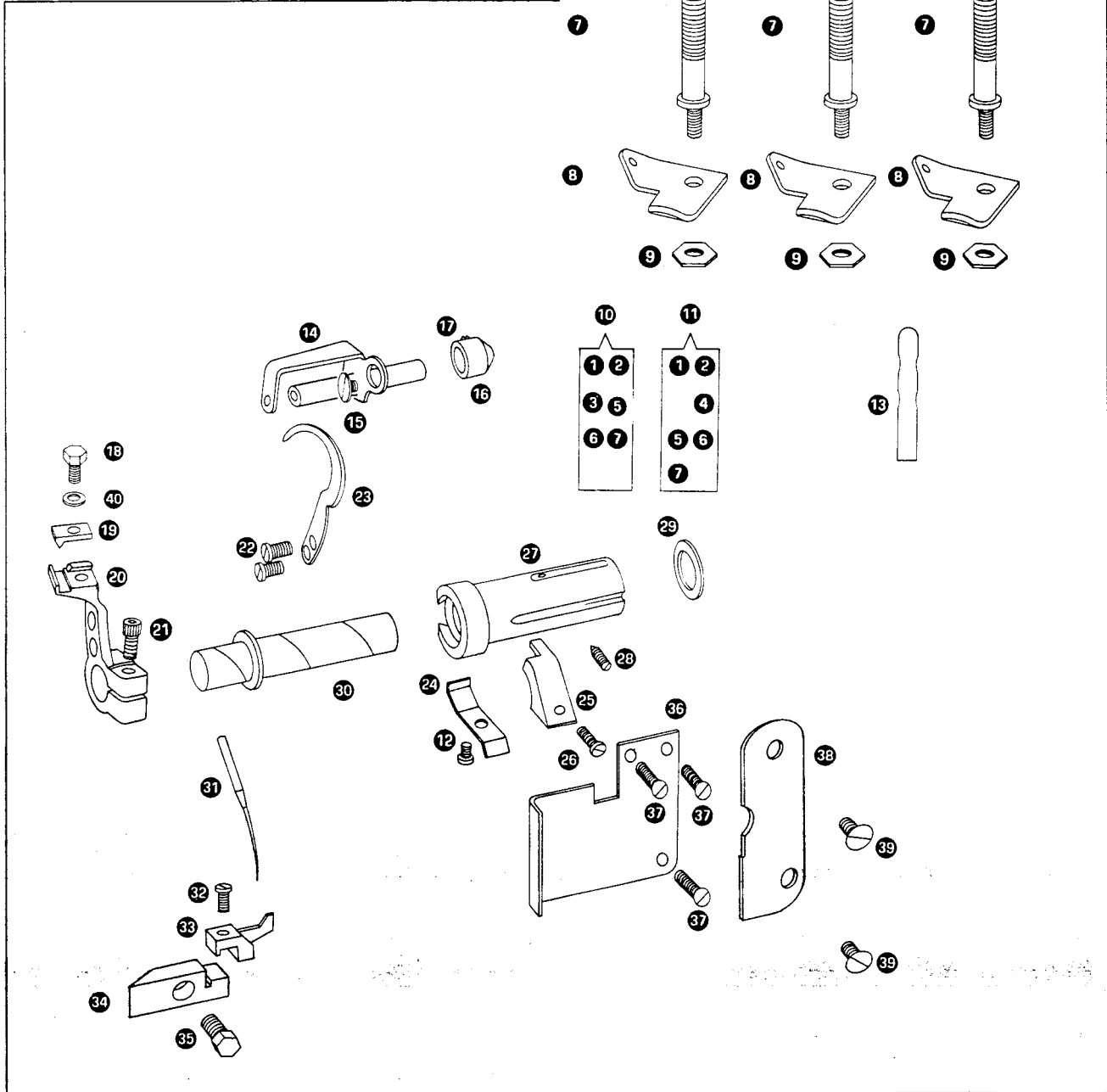
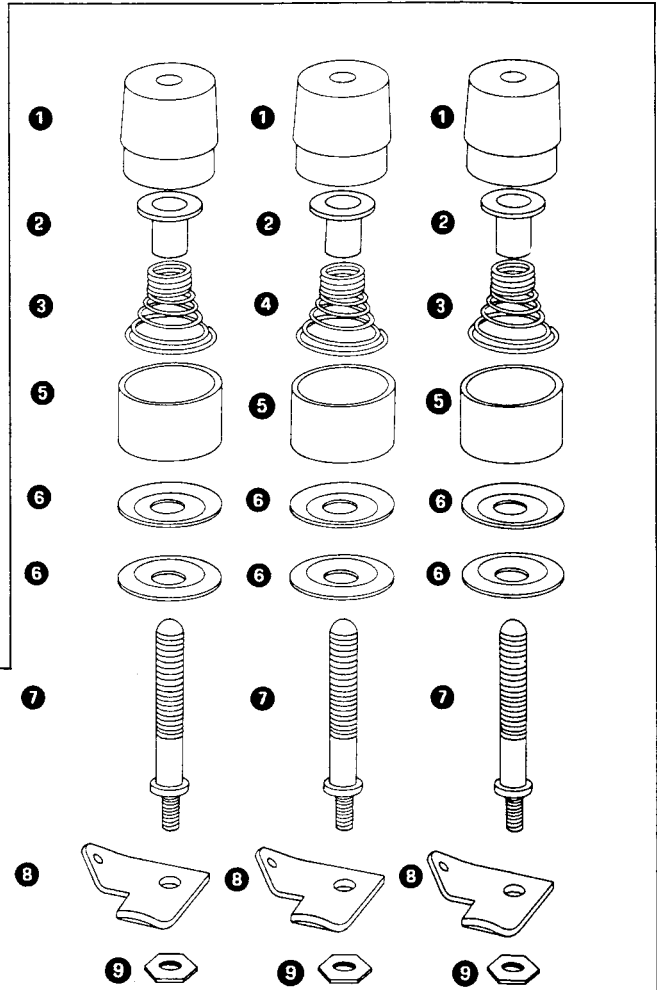
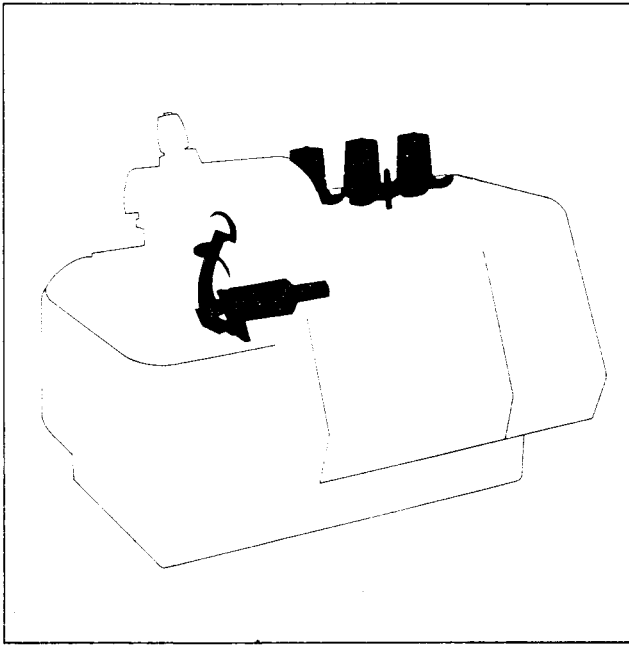
Parts List for 990B3 Machine

| Ref. No. | Part No. For Ordering | Description | Amt. Req. |
|----------|--------------------------|---|--------------|
| 1 | 114083 | Pressure Regulating Thumb Screw | |
| 2 | 164416 | Presser Bar (Upright) Spring (Heavy) | |
| | | Note: Presser Bar (upright) Spring No. 164144 can be supplied as an alternative to No. 164416. | |
| 3 | 107080 | Presser Bar Lifting Lever | |
| 4 | 50073 (809) | Knife (moveable) Lever and Presser Bar (upright) Housing Screw | 2 |
| 5 | 106456 | Knife (moveable) Lever and Presser Bar (upright) Housing with 460 | |
| 6 | 114082 | Presser Bar (swing-out) Opening Lever Hinge Screw | |
| 7 | 42436 | Presser Bar (swing-out) Opening Lever Hinge Screw Washer | |
| 8 | 107081 | Presser Bar (swing-out) Opening Lever | |
| 9 | 164143 | Presser Bar (upright) | |
| 10 | 51362 (830) | Presser Bar (swing-out) Pivot Screw Locking Plate Screw | |
| 11 | 140510 (819) | Presser Bar (swing-out) Pivot Screw | |
| 12 | 164351 | Presser Bar (swing-out) Pivot Screw Locking Plate | |
| 13 | 164139 | Presser Bar Lifting Lever Spring | |
| 14 | 1700 (819) | Presser Bar (swing-out) Lifting Screw Stud Nut | |
| 15 | 82330 | Presser Bar (swing-out) | |
| 16 | 164141 | Presser Bar (swing-out) Lifting Screw Stud | |
| 17 | 462 (830) | Presser Bar Lifting Bracket Set Screw (short) | |
| 18 | 106144 | Presser Bar Lifting Bracket with 462 (830), 624 (830) and 51846 | |
| 19 | 51846 | Presser Bar Lifting Bracket Roller and Stud | |
| 20 | 624 (830) | Presser Bar Lifting Bracket Set Screw (long) | |
| 21 | 107083 | Presser Foot complete, Nos. 50169 (809), 50225 (809) 107082, 164146, 164147 and 164149 | |
| | 107082 | Presser Foot Body | |
| | 164146 | Presser Foot Chaining-off Finger | |
| | 164147 | Presser Foot Clamping Plate | |
| | 50225 (809) | Presser Foot Clamping Plate Screw | |
| | 164149 | Presser Foot Guide | |
| | 50169 (809) | Presser Foot Guide Screw | |
| 22 | 1094 (806) | Throat Plate Screw | 2 |
| 23 | 107103 | Throat Plate | |
| 24 | 165055 | Looper (left hand) Thread Tube (lower) | |
| 25 | 853 (830) | Looper (left hand) Thread Tube (lower) Set Screw | |
| 26 | 81433 | Throat Plate Guide with 853 (830) | |
| 27 | 1454 (805) | Throat Plate Guide Screw | |
| 28 | 82281 | Thread Eyelet (needle thread) | |
| 29 | 460 | Thread Eyelet (needle thread) Set Screw | |
| | 106457 | Knife (moveable) lever and Presser Bar (upright) Housing complete Nos. 42436, 82281, 106144, 106456, 107080, 107081, 114082, 114083, 164139, 164143 and 164416 | |



Parts List for 900B3 Machine

| Ref. No. | Part No. For Ordering | Description | Amt. Req. |
|----------|--------------------------|---|--------------|
| 1 | 113180 | Tension (light and heavy) Regulating Thumb Nut | 3 |
| 2 | 107178 | Tension (light and heavy) Spring Bushing | 3 |
| 3 | 107084 | Tension (heavy) Spring | 2 |
| 4 | 164157 | Tension (light) Spring | |
| 5 | 107625 | Tension (light and heavy) Spring Cover | 3 |
| 6 | 2102 | Tension (light and heavy) Disc | 6 |
| 7 | 114117 (803) | Tension (light and heavy) Screw Stud | 3 |
| 8 | 107087 | Tension Thread Guide | 3 |
| 9 | 1700 (888) | Tension (light and heavy) Lock Nut | 3 |
| 10 | 107085 | Tension (heavy) complete Nos. 107084, 107178, 107625, 113180 114117 (803), and two 2102 | 2 |
| 11 | 107086 | Tension (light) complete, Nos. 107178, 107625, 113180, 114117 (803), 164157 and two 2102 | |
| 12 | 114079 (819) | Oil Deflector Screw | |
| 13 | 107102 | Thread Guide Post | |
| 14 | 107088 | Thread Eyelet (needle thread) Bridge | |
| 15 | 1423 (809) | Thread Eyelet (needle thread) Bridge Screw | |
| 16 | 164462 | Lint Stripper with 109935 (830) | |
| 17 | 109935 (830) | Lint Stripper Set Screw | |
| 18 | 51408 (830) | Needle Clamp Screw | |
| 19 | 108067 | Needle Clamp | |
| 20 | 108068 | Needle Carrier with 51408 (830), 59456, 108067, and 114141 (869) | |
| 21 | 114141 (869) | Needle Carrier Clamping Screw | |
| 22 | 399 (830) | Thread (needle) Controller Screw | 2 |
| 23 | 107620 | Thread (needle) Controller | |
| 24 | 107058 | Oil Deflector | |
| 25 | 107050 | Needle Driving Shaft Bushing Lint Guard | |
| 26 | 1238 (830) | Needle Driving Shaft Bushing Lint Guard Screw | |
| 27 | 107049 | Needle Driving Shaft Bushing | |
| 28 | 109876 | Needle Driving Shaft Bushing Locating Screw | |
| 29 | 164053 | Needle Driving Shaft Bushing Thrust Washer | |
| 30 | 108069 | Needle Driving Shaft | |
| 31 | Cat. 1432 | Needle, size 11 | |
| 32 | 50225 (809) | Needle Guard Screw | |
| 33 | 165058 | Needle Guard | |
| 34 | 165059 | Needle Guard Holder | |
| 35 | 1083 (805) | Needle Guard Holder Screw | |
| 36 | 107025 | Machine Frame Closing Plate | |
| 37 | 1238 (806) | Machine Frame Closing Plate Screw | 3 |
| 38 | 165406 | Machine Frame Wearing Plate | |
| 39 | 691 (803) | Machine Frame Wearing Plate Screw | 2 |
| 40 | 59456 | Needle Clamp Screw Washer | |

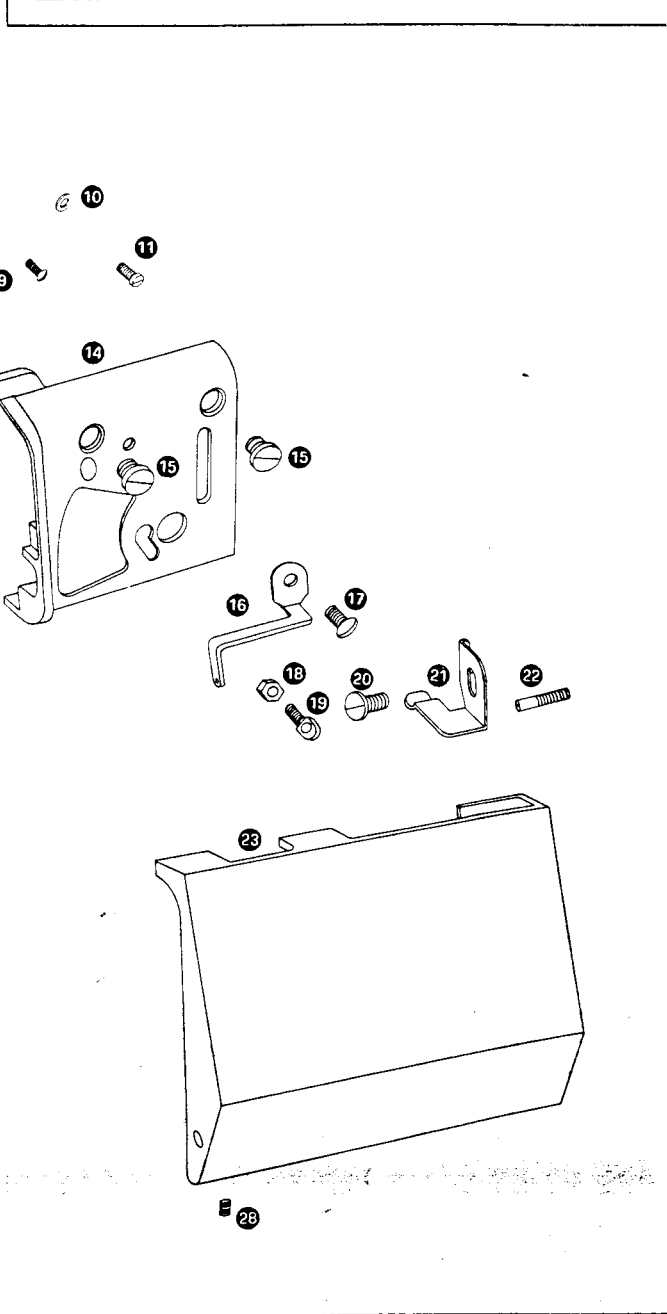
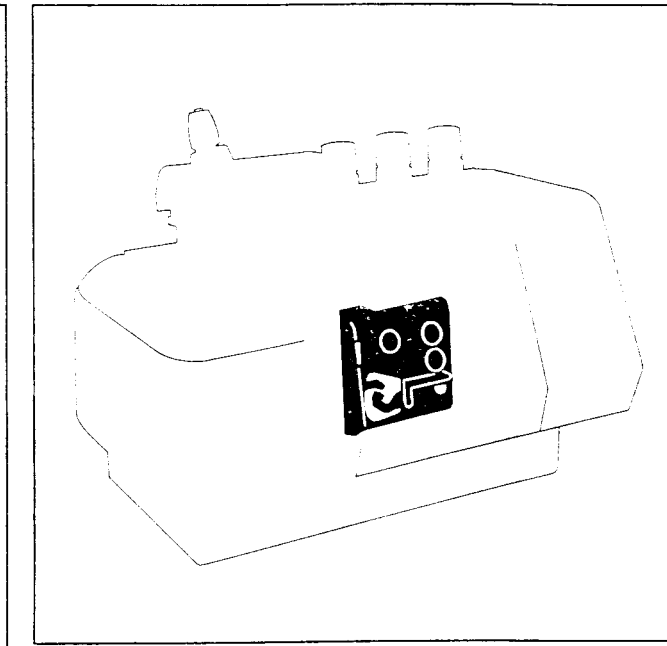
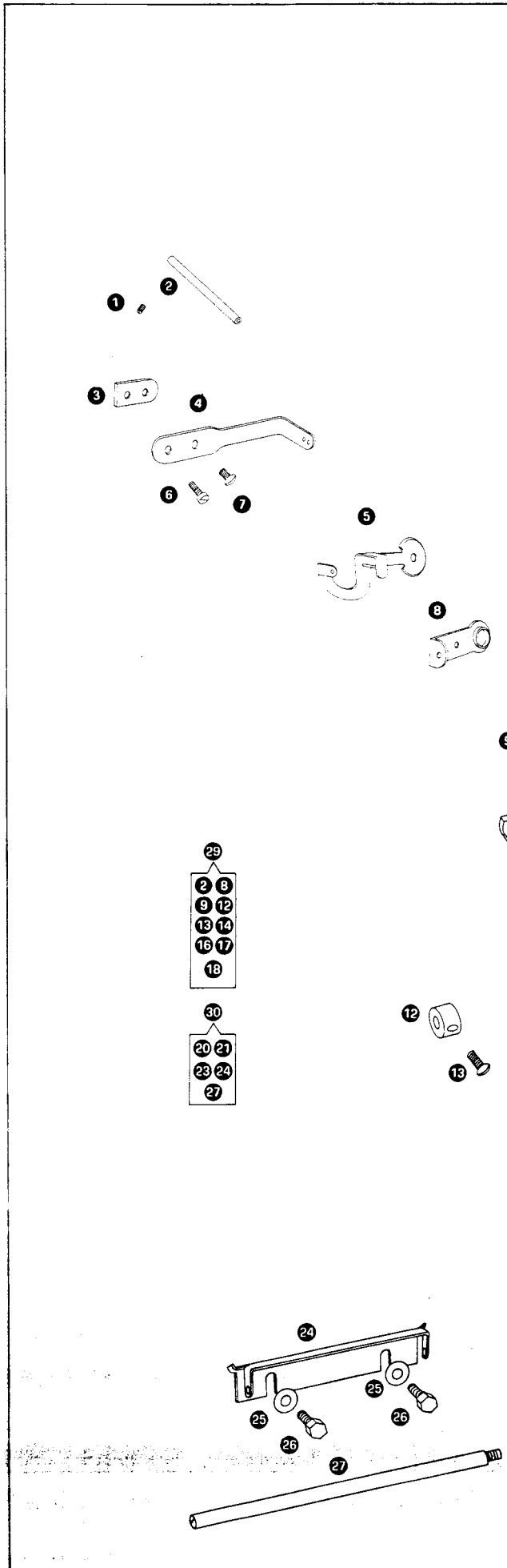


Parts List for 990B3 Machine

| Ref. No. | Part No. For Ordering | Description | Amt. Req. |
|----------|--------------------------|---|--------------|
| 1 | 462 (830) | Thread (looper, right hand) Tube (lower) Set Screw | |
| 2 | 101896 | Thread (looper, right hand) Tube (lower) | |
| 3 | 164176 | Thread (looper) Take-up Plate | |
| 4 | 164175 | Thread (looper) Take-up | |
| 5 | 164091 | Thread (looper, right hand) Take-up | |
| 6 | 190 (805) | Thread (looper) Take-up Screw (lower) | |
| 7 | 1443 (809) | Thread (looper) Take-up Screw (lower) | |
| 8 | 164163 | Thread (looper, right hand) Take-up Eyelet (adjustable) | |
| 9 | 1443 (809) | Thread (looper, right hand) Take-up Eyelet (adjustable) Screw | |
| 10 | 17022 | Thread (looper, right hand) Take-up Screw Washer | |
| 11 | 187 (805) | Thread (looper, right hand) Take-up Screw | |
| 12 | 164173 | Thread (looper) Plate Thread Bushing | |
| 13 | 50318 (818) | Thread (looper) Plate Thread Bushing Screw | |
| 14 | 107091 | Thread (looper) Plate with 462 (830) | |
| 15 | 1239 (819) | Thread (looper) Plate Screw | 2 |
| 16 | 164449 | Thread (looper, right hand) Thread Eyelet (moveable) | |
| 17 | 1423 (809) | Thread (looper, right hand) Thread Eyelet Screw | |
| 18 | 1607 (809) | Thread (looper, right hand) Thread Eyelet (stationary) Nut | |
| 19 | 164165 | Thread (looper, right hand) Thread Eyelet (stationary) | |
| 20 | 1094 (819) | Thread (looper) Plate Cover Latch Spring Screw | |
| 21 | 107097 | Thread (looper) Plate Cover Latch Spring | |
| 22 | 107098 | Thread (looper) Plate Cover Latch Spring Pin | |
| 23 | 107093 | Thread (looper) Plate Cover with 109927 (869) | |
| 24 | 107095 | Thread (looper) Plate Cover Hinge Bracket | |
| 25 | 175032 | Thread (looper) Plate Cover Hinge Bracket Screw Washer | 2 |
| 26 | 1209 (819) | Thread (looper) Plate Cover Hinge Bracket Screw | 2 |
| 27 | 107096 | Thread (looper) Plate Cover Hinge Pin | |
| 28 | 109927 (869) | Thread (looper) Plate Cover Hinge Pin Locking Screw | |
| 29 | 107092 | Thread (looper) Plate complete, Nos. 1423 (809), 1443 (809), 1607 (809), 50318 (818), 101896, 107091, 164163, 164165, 164173, and 164449 | |
| 30 | 107094 | Thread (looper) Plate Cover 107093 with 1094 (819), 107095, 107096 and 107097 | |

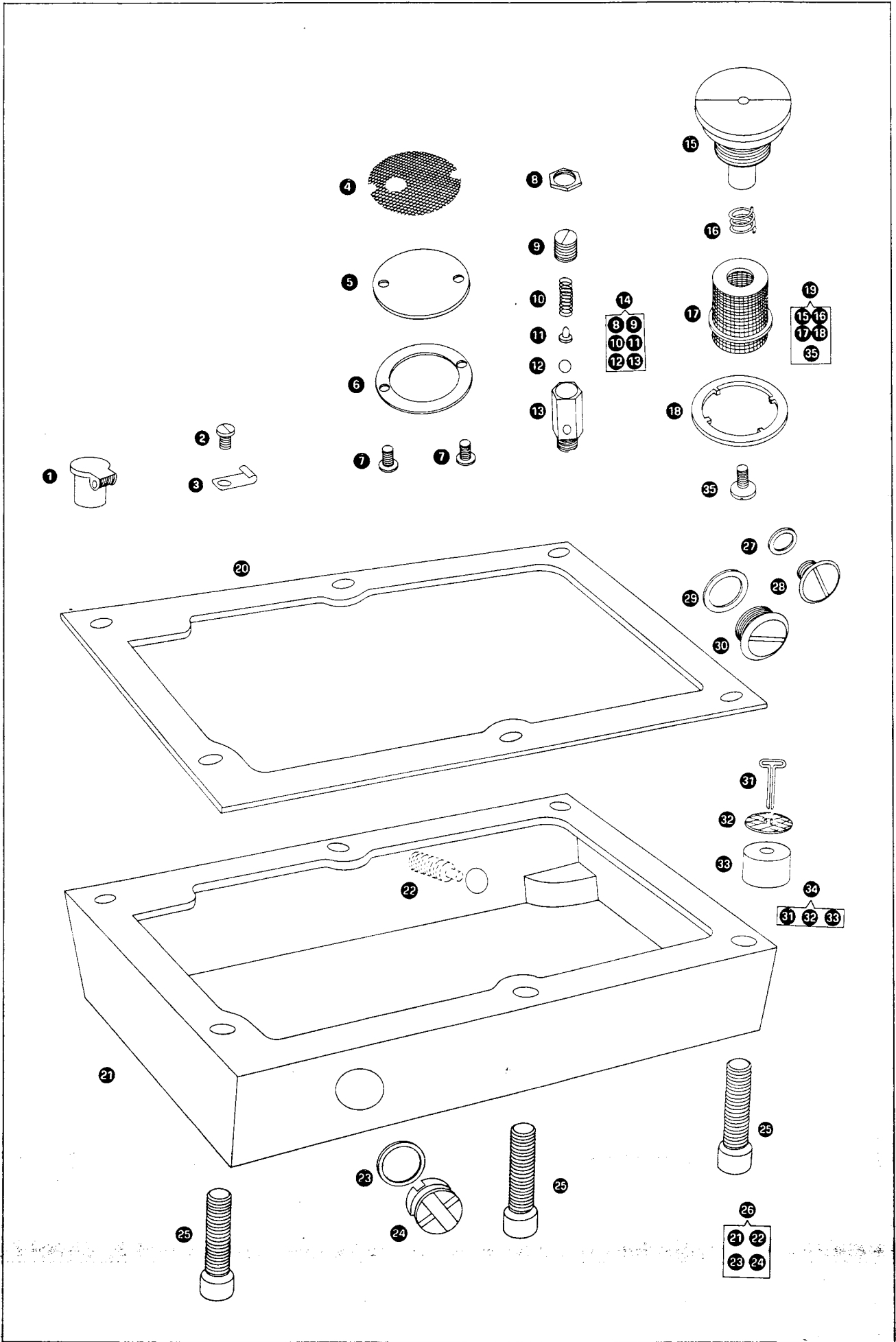
Not Illustrated:-

| | | | |
|---|--------------|---|--|
| — | 107040 | Machine Frame Top Cover Assembly Nos. 107039, 107086, 107102, two each 107085, 107090 and three 107087 | |
| — | 106500 | Machine Frame Bracket Assembly | |
| — | 107024 | Machine Frame Bracket Key | |
| — | 187 (805) | Machine Frame Bracket Key Screw | |
| — | 350744 (869) | Machine Frame Bracket Screw | |



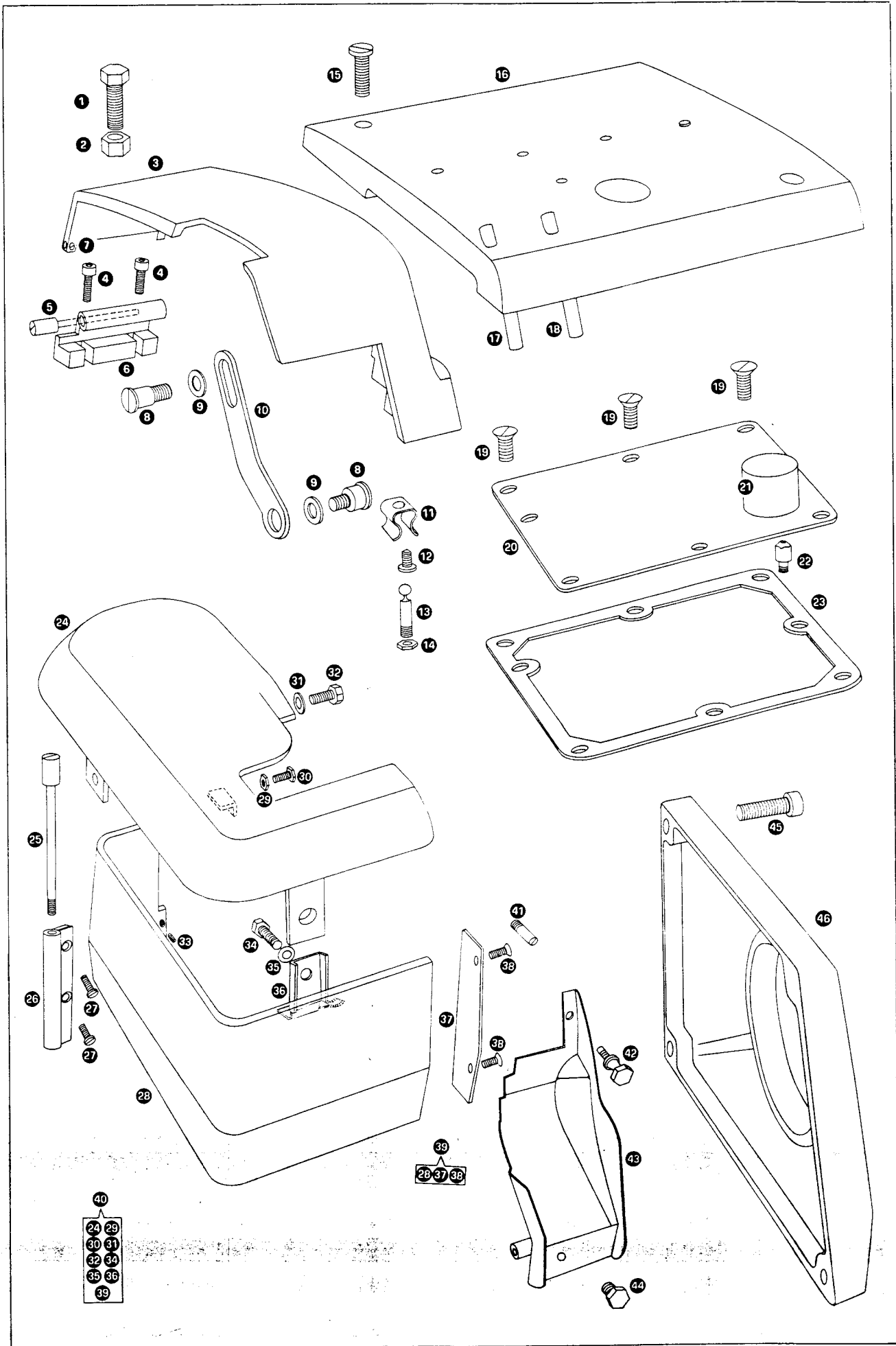
Parts List for 990B3 Machine

| Ref. No. | Part No. For Ordering | Description | Amt. Req. |
|----------|--------------------------|--|--------------|
| 1 | 107587 | Oil Cup | |
| 2 | 225 (819) | Looper (right hand) carrier Connecting Link Adjusting Sleeve Wick Clip Screw | |
| 3 | 20822 | Looper (right hand)) Carrier Connecting Link Adjusting Sleeve Wick Clip | |
| 4 | 165384 | Machine Frame Oil Drain Plate Screen | |
| 5 | 165519 | Machine Frame Oil Drain Plate Filter (Felt) | |
| 6 | 165395 | Machine Frame Oil Drain Plate | |
| 7 | 1454 (830) | Machine Frame Oil Drain Plate Screw | 2 |
| 8 | 113179 | Oil Pump Relief Valve Spring Screw Stud Locking Nut | |
| 9 | 114081 | Oil Pump Relief Valve Spring Screw Stud | |
| 10 | 107078 | Oil Pump Relief Valve Spring | |
| 11 | 107077 | Oil Pump Relief Valve Plunger | |
| 12 | 107075 | Oil Pump Relief Valve | |
| 13 | 107076 | Oil Pump Relief Valve Body | |
| 14 | 107079 | Oil Pump Relief Valve Complete Nos. 107075, 107076, 107077, 107078, 113179 and 114081 | |
| 15 | 114140 | Oil Pump Suction Filter Hole Plug Screw | |
| 16 | 108104 | Oil Pump Suction Filter Spring. | |
| 17 | 108113 | Oil Pump Suction Filter | |
| 18 | 107074 | Oil Pump Suction Filter Hole Plug Screw Gasket | |
| 19 | 108063 | Oil Pump Suction Filter Complete Nos 107074, 108113, 108104, 1480, and 114114 | |
| 20 | 107070 | Oil Reservoir Gasket | |
| 21 | 107068 | Oil Reservoir | |
| 22 | 107204 | Oil Reservoir Drain Plug | |
| 23 | 106401 | Oil Reservoir Oil Sight Gauge Seal | |
| 24 | 107071 | Oil Reservoir Oil Sight Gauge | |
| 25 | 350744 | Oil Reservoir Screw | 6 |
| 26 | 107069 | Oil Reservoir 107068 with 106401, 107071 and 107204 | |
| 27 | 107158 | Machine Frame Oil Pressure Gauge Connection Plug Gasket | |
| 28 | 107029 | Machine Frame Oil Pressure Gauge Connection Plug | |
| 29 | 147070 | Oil Pump Body Clamping Screw Hole Plug Screw Washer | |
| 30 | 114038 (869) | Oil Pump Body Clamping Screw Hole Plug Screw | |
| 31 | 165157 | Oil Return Filter (front) Fastener | |
| 32 | 107898 | Oil Return Filter (front) Screw. | |
| 33 | 149224 | Oil Return Filter (front) Pad | |
| 34 | 107169 | Oil Return Filter (front) Complete Nos. 107898, 149224 and 165157 | |
| 35 | 1480 | Oil Pump Suction Filter Securing Screw | |



Parts List for 990B3 Machine

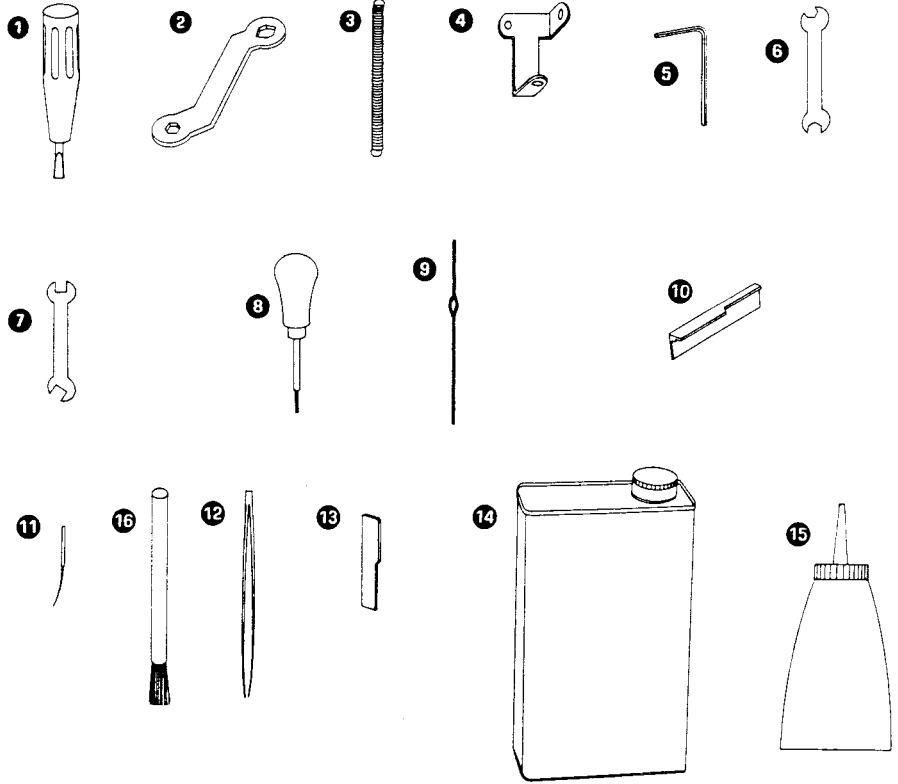
| Ref. No. | Part No. For Ordering | Description | Amt. Req. |
|----------|--------------------------|---|--------------|
| 1 | 114131 (832) | Presser Bar Lifting Lever Stop Screw | |
| 2 | 1637 (810) | Presser Bar Lifting Lever Stop Screw Nut | |
| 3 | 106458 | Knife (moveable) lever and Presser Bar (upright) Housing Cover with 109927 (869) | |
| 4 | 114073 | Knife (moveable) Lever and Presser Bar (upright) Housing Cover Hinge Bracket Screw | 2 |
| 5 | 106460 | Knife (moveable) Lever and Presser Bar (upright) Housing Cover Hinge Pin | |
| 6 | 106459 | Knife (moveable) Lever and Presser Bar (upright) Housing Cover Hinge Bracket | |
| 7 | 109927 (869) | Knife (moveable) Lever and Presser Bar (upright) Housing Cover Hinge Pin Locking Screw | |
| 8 | 114082 (819) | Knife (moveable) Lever and Presser Bar (upright) Housing Cover Stop Plate Screw | 2 |
| 9 | 42436 | Knife (moveable) Lever and Presser Bar (upright) Housing Cover Stop Plate Screw Washer (quantity as required) | |
| 10 | 106463 | Knife (moveable) Lever and Presser Bar (upright) Housing Cover Stop Plate | |
| 11 | 106461 | Knife (moveable) Lever and Presser Bar (upright) Housing Cover Latch Spring | |
| 12 | 227 (819) | Knife (moveable) Lever and Presser Bar (upright) Housing Cover Latch Spring Screw | |
| 13 | 106462 | Knife (moveable) Lever and Presser Bar (upright) Housing Cover Latch Spring Pin | |
| 14 | 113176 (819) | Knife (moveable) Lever and Presser Bar (upright) Housing Cover Latch Spring Pin Lock Nut | |
| 15 | 50073 (809) | Machine Frame Top Cover Screw | 2 |
| 16 | 107039 | Machine Frame Top Cover with two 107090 | |
| 17 | 107090 | Looper (left hand) Thread Tube (upper) | |
| 18 | 107090 | Looper (right hand) Thread Tube (upper) | |
| 19 | 691 (819) | Machine Frame Top Cover Closing Plate Screw | 6 |
| 20 | 107042 | Machine Frame Top Cover Closing Plate with 107059 | |
| 21 | 107059 | Oil Flow Indicator | |
| 22 | 107060 | Oil Flow Indicator Nozzle | |
| 23 | 107044 | Machine Frame Top Cover Closing Plate Gasket | |
| 24 | 106439 | Cloth Plate | |
| 25 | 106437 | Cloth Plate Hinge Bracket Hinge Pin | |
| 26 | 106436 | Cloth Plate Hinge Bracket | |
| 27 | 51369 | Cloth Plate Hinge Bracket Screw | 2 |
| 28 | 106435 | Cloth Plate Extension | |
| 29 | 1700 (819) | Cloth Plate Position Screw Nut | |
| 30 | 114112 (830) | Cloth Plate Position Screw | |
| 31 | 931084 (819) | Cloth Plate Extension Bracket Screw Lock Washer | |
| 32 | 114112 (830) | Cloth Plate Extension Bracket Screw | |
| 33 | 109927 (869) | Cloth Plate Hinge Bracket Hinge Pin Locking Screw | |
| 34 | 51408 (830) | Cloth Plate Lock Spring Screw | |
| 35 | 931084 (819) | Cloth Plate Lock Spring Screw Washer | |
| 36 | 164205 | Cloth Plate Lock Spring | |
| 37 | 107180 | Cloth Plate Extension Closing Plate | |
| 38 | 934 (810) | Cloth Plate Extension Closing Plate Screw | 2 |
| 39 | 107198 | Cloth Plate Extension 106435 with 107180 and two 934 (810) | |
| 40 | 106440 | Cloth Plate with Extension complete Nos. 1700 (819), 51408 (830), 106439, 107198, 164205, two each 114112 (830) and 931084 (819) | |
| 41 | 1250 | Cloth Plate Lock Spring Retaining Screw Stud | |
| 42 | 140509 (809) | Chip Guard Screw (upper) | |
| 43 | 106433 | Chip Guard | |
| 44 | 1209 (809) | Chip Guard Screw (lower) | |
| 45 | 1485 (809) | Belt Cover Screw | 2 |
| 46 | 106430 | Belt Cover | |



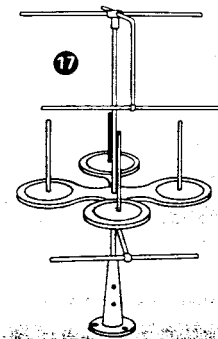
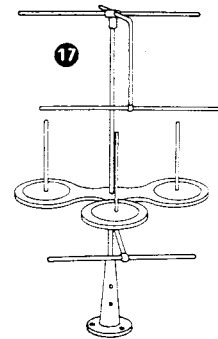
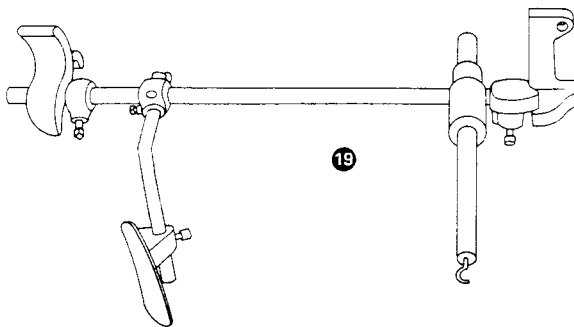
Parts List for 990B3 Machine – Accessories

| Ref. No. | Part No. For Ordering | Description | Amt. Req. |
|------------------------------|--------------------------|---|--------------|
| Supplied with Machine | | | |
| 1 | 161294 | Screw Driver | |
| 2 | 108116 | Wrench | |
| 3 | 164198 | Presser Bar Lifting Chain Spring (under table) | |
| 4 | 164164 | Thread (looper, right hand) Thread Eyelet (moveable) | |
| 5 | 820193-002 | Wrench for 1/16 inch (1.6mm) socket head screw | |
| | 820193-005 | Wrench for 1/8 inch (3.2mm) socket head screw | |
| | 820193-006 | Wrench for 5/32 inch (4mm) socket head screw | |
| | 820193-007 | Wrench for 3/16 inch (4.8mm) socket head screw | |
| | 820193-009 | Wrench for 3/32 inch (2.4mm) socket head screw | |
| | 820193-010 | Wrench for 7/32 inch (5.6mm) socket head screw | |
| 6 | 68547 | Wrench (flat) | |
| 7 | 10875 | Wrench (flat) | |
| 8 | 164203 | Feed Eccentric Extractor | |
| 9 | 164196 | Threader | 6 |
| 10 | 164550 | Knife (moveable) | |
| 11 | Cat. 1432 | Needles, size 11 (or according to fittings being supplied) | 6 |
| 12 | 108057 | Tweezers | |
| 13 | 164728 | Knife (stationary) | |
| 14 | 81350-011 | Tin of Oil (1 pint, 0.57 litres, type 'H' Oil) | |
| 15 | 108065 | Oil Dispenser | |
| 16 | 107627 | Lint Brush | |
| 17 | 81443 | Thread Unwinder (3 spools) | |
| | or | | |
| | 81444 | Thread Unwinder (4 spools) | |
| | 108058 | Dust cover (not illustrated) | |
| 19 | 164727 | Knee Lifter (supplied in place of Foot lifter if requested) | |
| Available at an Extra Charge | | | |
| 20 | 82253 | Gauge | |

SUPPLIED WITH MACHINE



AVAILABLE IN PLACE OF FOOT LIFTER



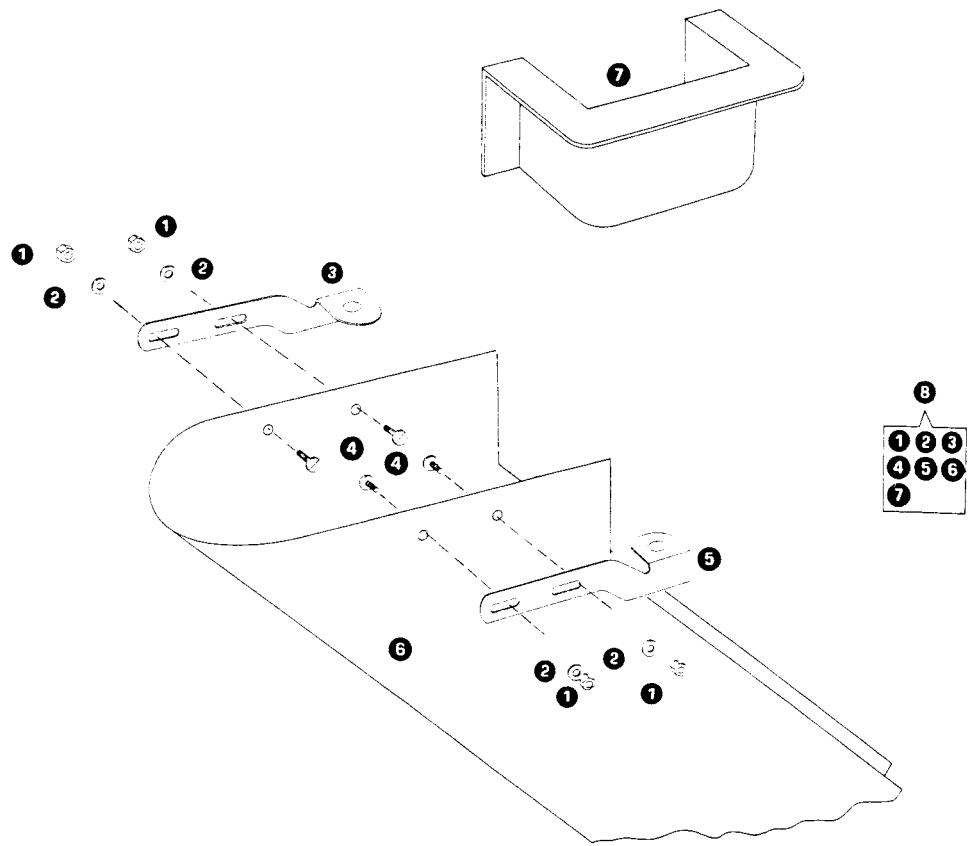
AVAILABLE AT EXTRA CHARGE



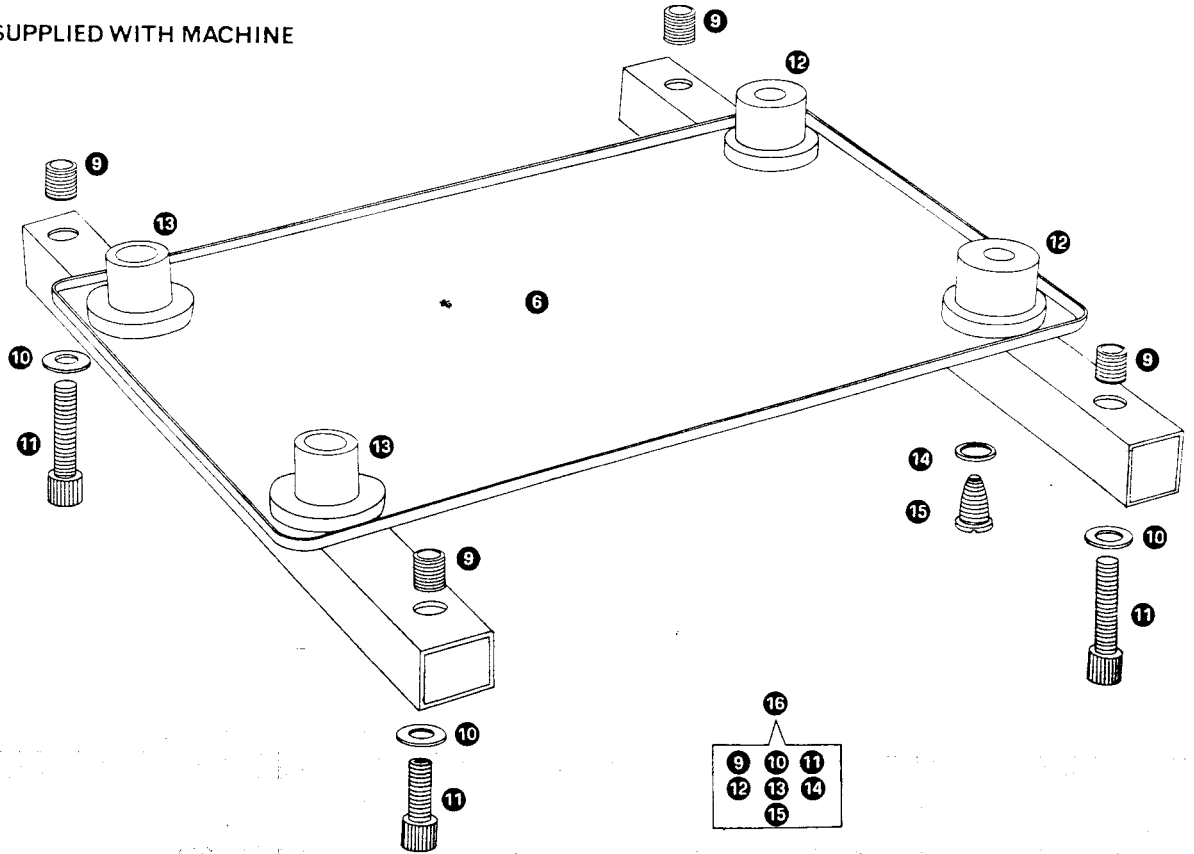
Parts List for 990B3 Machine — Accessories

| Ref. No. | Part No. For Ordering | Description | Amt. Req. |
|-------------------------------------|--------------------------|---|--------------|
| Available at an Extra Charge | | | |
| 1 | 1700 (809) | Chip Chute Support Bracket Screw Nut | 4 |
| 2 | 175032 | Chip Chute Support Bracket Screw Washer | 4 |
| 3 | 107156 | Chip Chute Support Bracket (left hand) | |
| 4 | 1094 (809) | Chip Chute Support Bracket Screw | 4 |
| 5 | 107157 | Chip Chute Support Bracket (right hand) | |
| 6 | 107105 | Chip Chute | |
| 7 | 107514 | Chip Chute Sleeve | |
| 8 | 107989 | Chip Chute complete, Nos 107105, 107156, 107157, 107514 four each 1094 (809), 1700 (809) and 175032 | |
| Supplied with Machine | | | |
| 9 | 51797 | Machine Base Mounting Screw Insert | 4 |
| 10 | 9842 | Machine Base Mounting Screw Washer | 4 |
| 11 | 350647 (869) | Machine Base Mounting Screw | 4 |
| 12 | 81231 | Machine Cushion (large) | 2 |
| 13 | 164189 | Machine Cushion (small) | 2 |
| 14 | 20437 | Chip Chute Support Bracket (left hand) Screw (upper) Washer | |
| 15 | 114116 | Chip Chute Support Bracket (left hand) Screw (upper) | |
| 16 | 107107 | Machine Base complete with 20437, 114116 two each 81231, 164189, four each 9842, 51797, and 350647 (869) | |

AVAILABLE AT AN EXTRA CHARGE

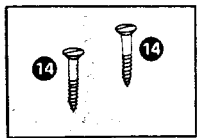
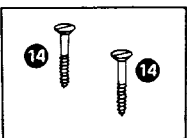
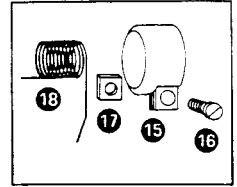
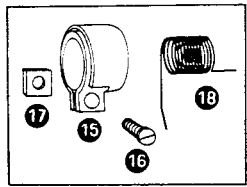
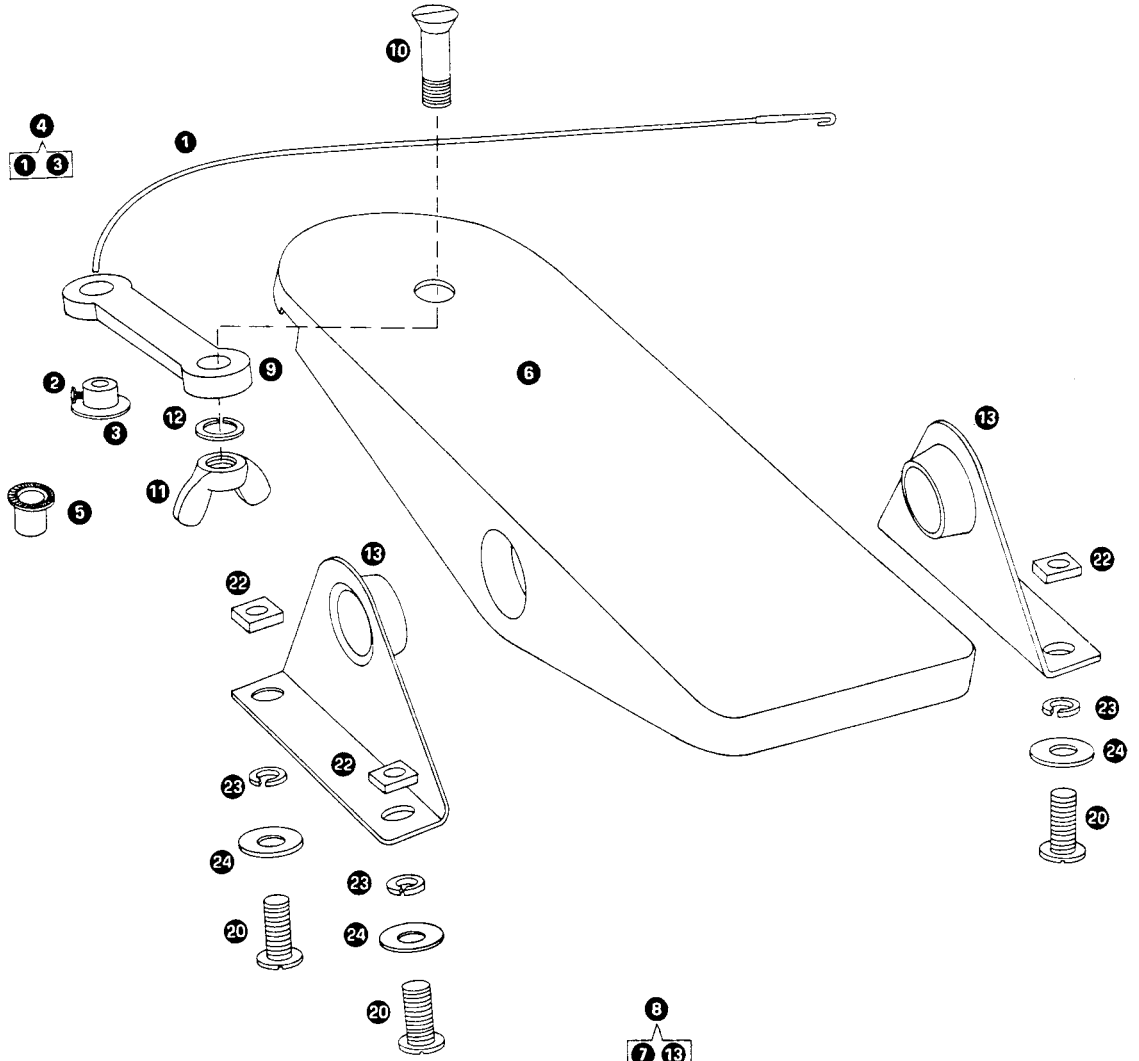


SUPPLIED WITH MACHINE



Parts List for 990B3 Machine -- Accessories

| Ref. No. | Part No. For Ordering | Description | Amt. Req. |
|--|--------------------------|---|--------------|
| Supplied with Machine | | | |
| 1 | 107501 | Foot Lifter Operating Cable | |
| 2 | 140393 | Foot Lifter Operating Cable Retaining Collar Screw | |
| 3 | 107505 | Foot Lifter Operating Cable Retaining Collar with 140393 | |
| 4 | 107513 | Foot Lifter Operating Cable complete, Nos. 107501 and 107505 | |
| 5 | 164042 | Foot Lifter Operating Cable Friction Sleeve | |
| Listed below are foot treadles suitable for floor mounting, mounting to the round cross brace of a stand, or mounting to the flat pressed steel treadle support of a stand. The customer is required to specify which treadle, if any, he requires and it will be supplied at no charge. | | | |
| Treadle for Floor Mounting | | | |
| 6 | 152168 | Treadle | |
| 7 | 152169 | Treadle 152168 with 51723, 152170, 152171 and 701348 | |
| 8 | 107626 | Treadle 152169 with two 107502 and four wood screws 1" No. 16 F.H. | |
| 9 | 152170 | Treadle Extension | |
| 10 | 152171 | Treadle Extension Swivel Stud | |
| 11 | 51723 | Treadle Extension Wing Nut | |
| 12 | 701348 | Treadle Extension Wing Nut Lock Washer | |
| 13 | 107502 | Treadle Hinge Bracket | |
| 14 | - | Treadle Hinge Bracket Wood Screw 1" No. 16 F.H. | |
| Treadle for Mounting to Round Cross Brace | | | |
| 6 | 152168 | Treadle | |
| 7 | 152169 | Treadle 152168 with 51723, 152170, 152171 and 701348 | |
| 19 | 152095 | Treadle 152169 with 152153 and two 152080 | |
| 9 | 152170 | Treadle Extension | |
| 10 | 152171 | Treadle Extension Swivel Stud | |
| 11 | 51723 | Treadle Extension Wing Nut | |
| 12 | 701348 | Treadle Extension Wing Nut Lock Washer | |
| 15 | 152080 | Treadle Position Collar with 51089 | |
| 16 | 51089 | Treadle Position Collar Bolt with 51581 | |
| 17 | 51581 | Treadle Position Collar Bolt Nut | |
| 18 | 152153 | Treadle Spring | |
| Treadle for Mounting to Flat Pressed Steel Treadle Support | | | |
| 6 | 152168 | Treadle for 152169 | |
| 7 | 152169 | Treadle 152168 with 51723, 152170, 152171 and 701348 | |
| 26 | 107546 | Treadle 152169 with two 107512 | |
| 9 | 152170 | Treadle Extension | |
| 10 | 152171 | Treadle Extension Swivel Stud | |
| 11 | 51723 | Treadle Extension Wing Nut | |
| 12 | 701348 | Treadle Extension Wing Nut Lock Washer | |
| 13 | 107502 | Treadle Hinge Bracket | |
| 25 | 107512 | Treadle Hinge Bracket 107502 with two each 23250, 51082-002 and 67425 | |
| 20 | 141223-002 | Treadle Hinge Bracket Bolt | |
| 21 | 51082-002 | Treadle Hinge Bracket Bolt 141223-002 with 51581 | |
| 22 | 51581 | Treadle Hinge Bracket Bolt Nut | |
| 23 | 67425 | Treadle Hinge Bracket Bolt Nut Lock Washer | |
| 24 | 23250 | Treadle Hinge Bracket Bolt Washer | |

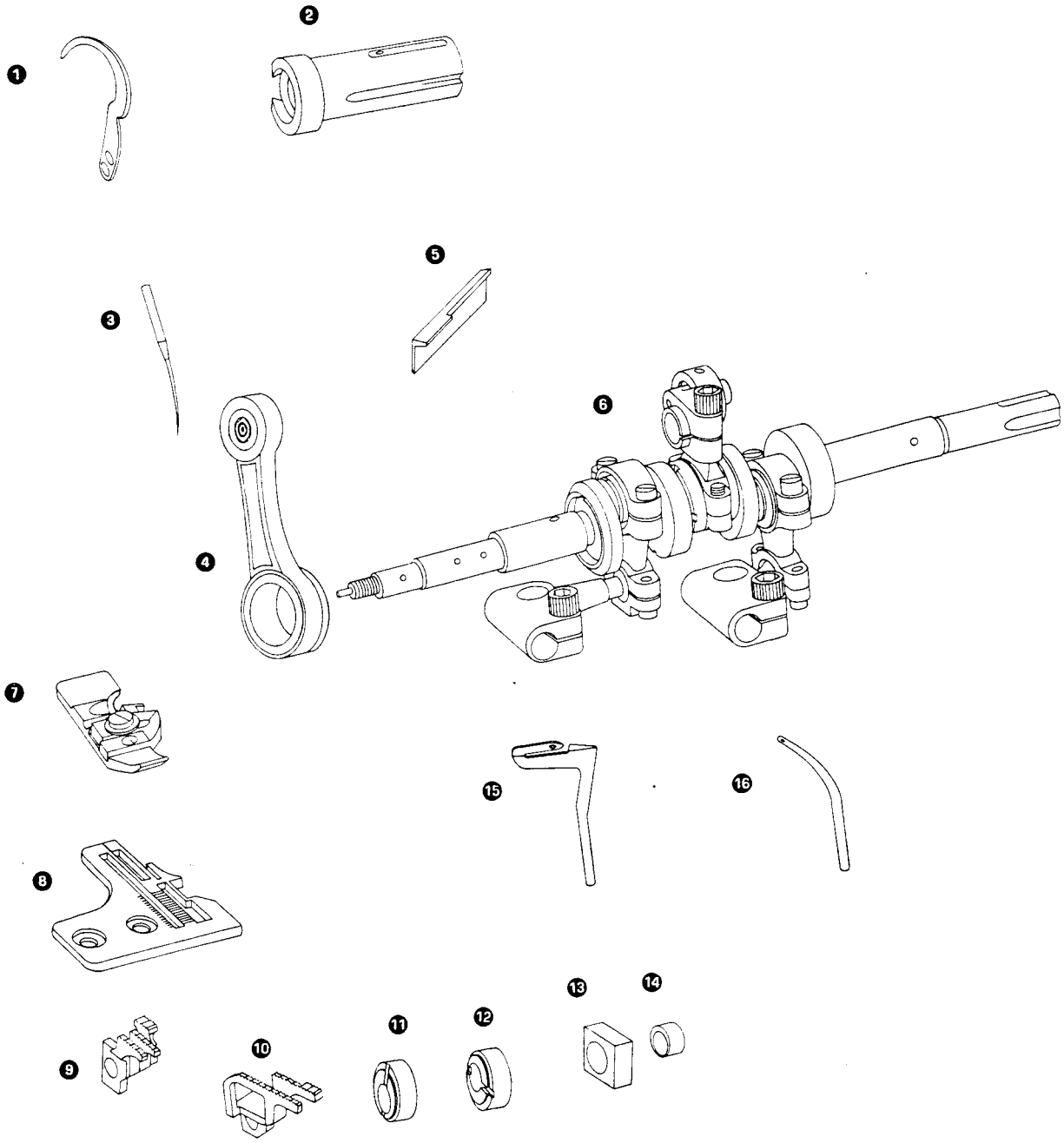


Parts List for 990B5 Machine

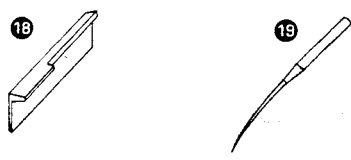
The following parts differ from those used on 990B3 Machine

All other parts are the same

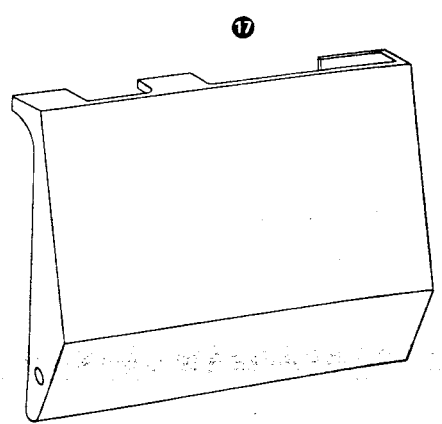
| Ref. No. | Part No. For Ordering | Description | Amt. Req. |
|------------------------------|--------------------------|--|--------------|
| 1 | 107636 | Thread (needle) Controller | |
| 2 | 107635 | Needle Driving Shaft Bushing | |
| 3 | Cat. 1432 | Needle, size 14 | |
| 4 | 107976 | Knife (movable) Lifting Lever | |
| 5 | *107797 | Knife (movable) | |
| 6 | 107633 | Machine Frame Rotary Shaft See Note under No. 107031 on page 46 | |
| 7 | 164380 | Presser Foot complete, Nos. 50169(809), 50225(809), 164147, 1643601, 164378 and 164379 | |
| | 164378 | Presser Foot Body | |
| | 164379 | Presser Foot Chaining-off Finger | |
| | 164360 | Presser Foot Guide | |
| 8 | 81425-003 | Throat Plate | |
| 9 | 164369 | Feed (back) Dog | |
| 10 | 165106 | Feed (front) Dog | |
| 11 | 106445-010 | Feed (back) Eccentric (10 stitches per inch) | |
| 12 | 106445-010 | Feed (front) Eccentric (10 stitches per inch) | |
| 13 | 165134 | Feed Bar Slide Block (front) | |
| 14 | 101832 | Feed Lifting Eccentric | |
| 15 | 107631 | Looper (left hand) | |
| 16 | 87028 | Looper (right hand) | |
| 17 | 107637 | Thread (looper) Plate Cover with 109927(869) | |
| Not illustrated | | | |
| — | 107638 | Thread (looper) Plate Cover 107637 with 1094(819), 107095, 107096 and 107097 | |
| — | 107629 | Feed (back) and (front) Bars complete, Nos. 106442, 106447, 107160, 164006, 164018, 164687, 165134, two each 1718(803), 9525(803), 164004 and 164009 | |
| Accessories | | | |
| Supplied with machine | | | |
| 18 | 107797 | Knife (movable) | |
| 19 | Cat. 1432 | Needles, six, size 14 (or according to fittings being supplied) | |
| Available at an extra charge | | | |
| 20 | 82254 | Gauge | |

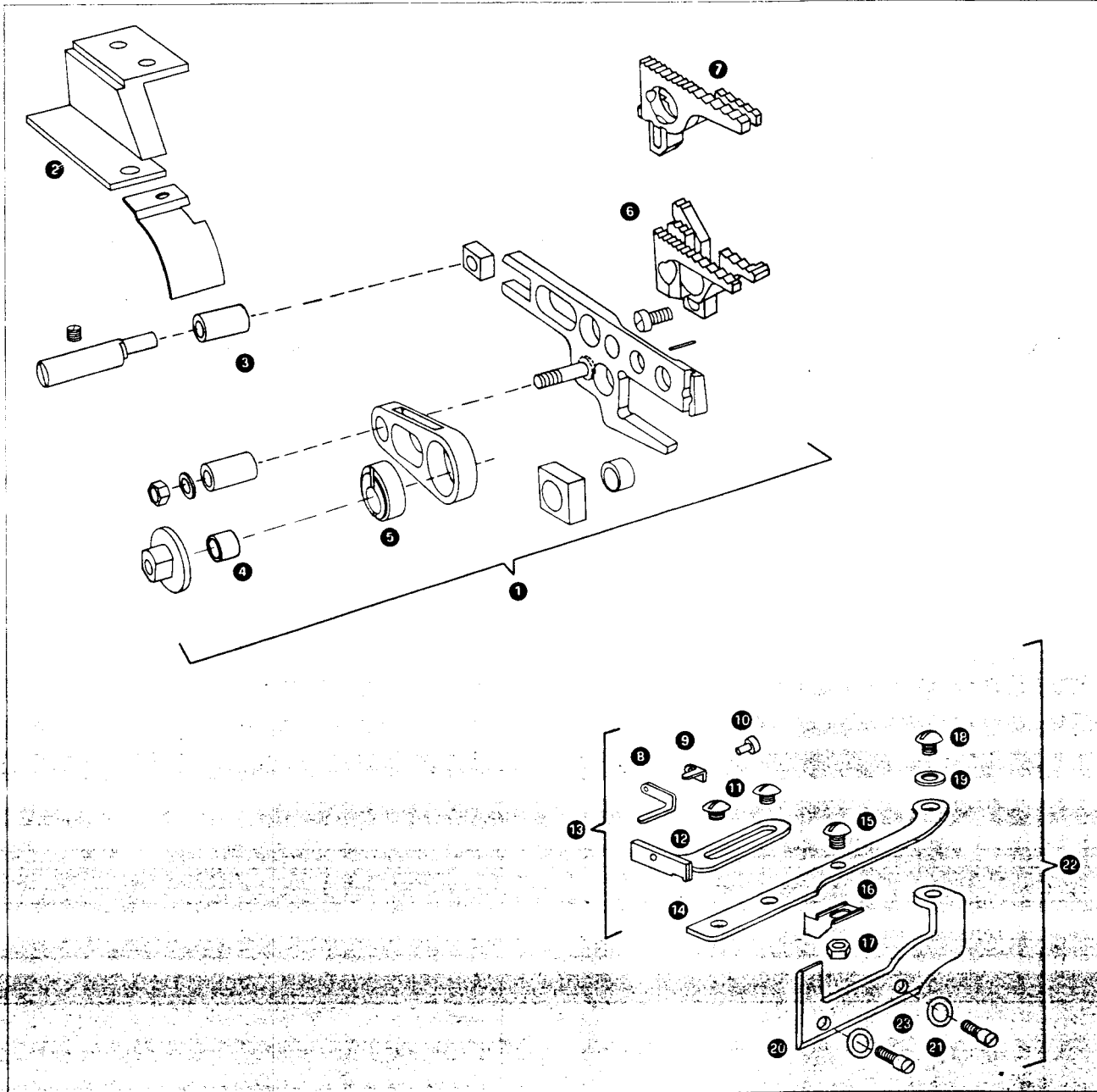
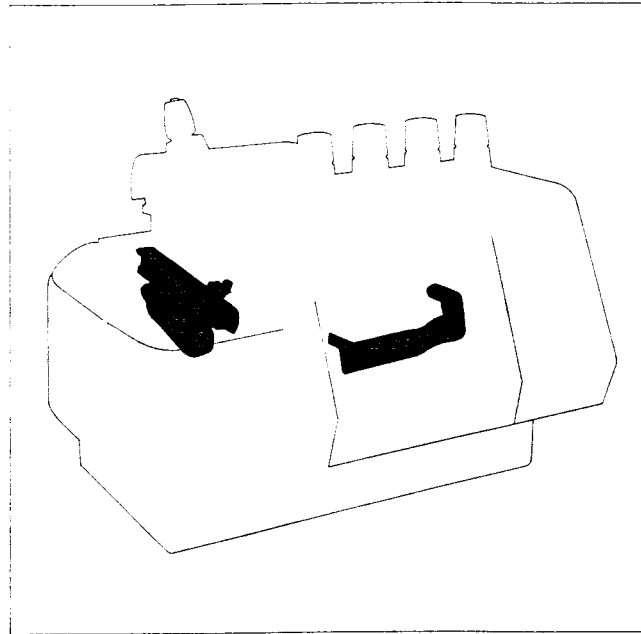


**ACCESSORIES
SUPPLIED WITH MACHINE**



AVAILABLE AT AN EXTRA CHARGE

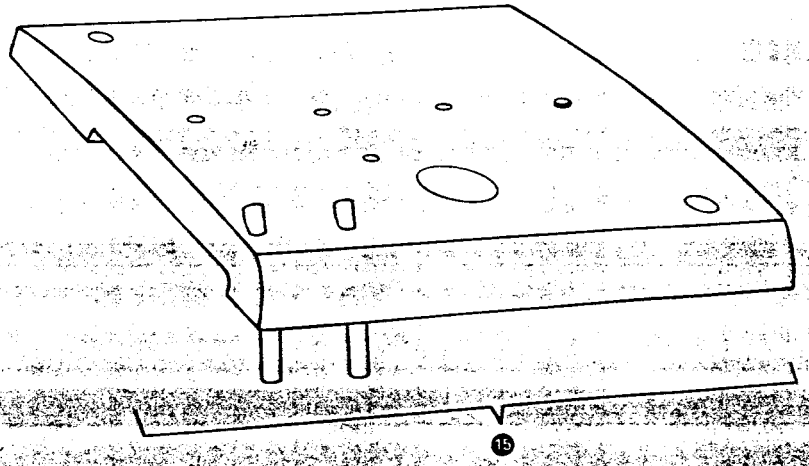
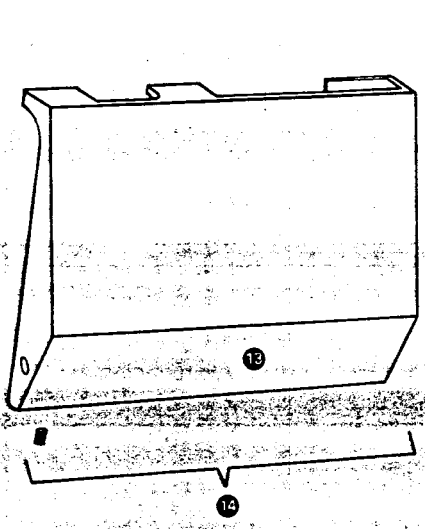
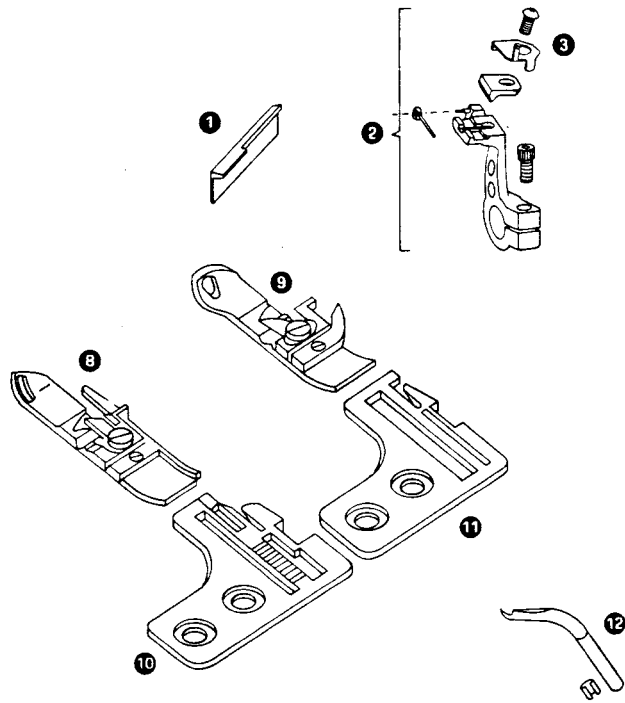
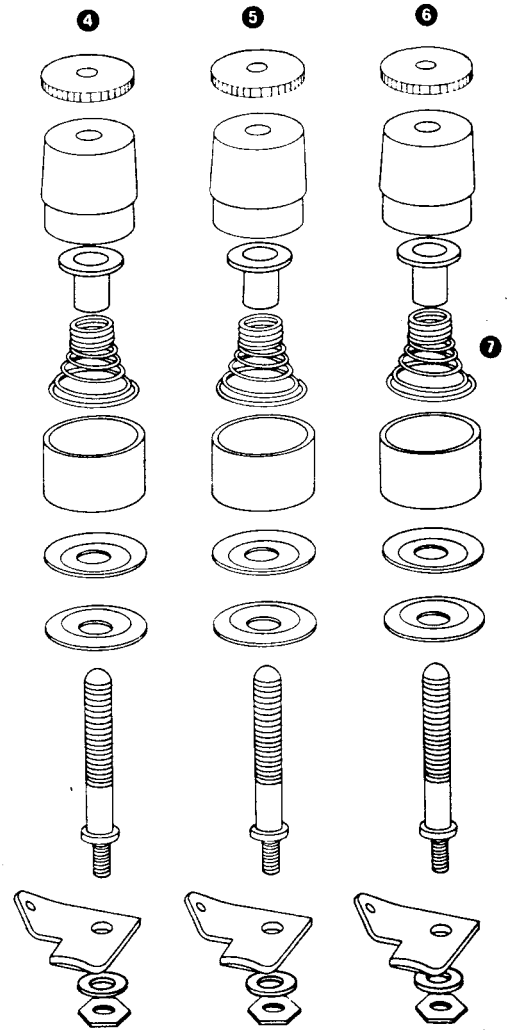
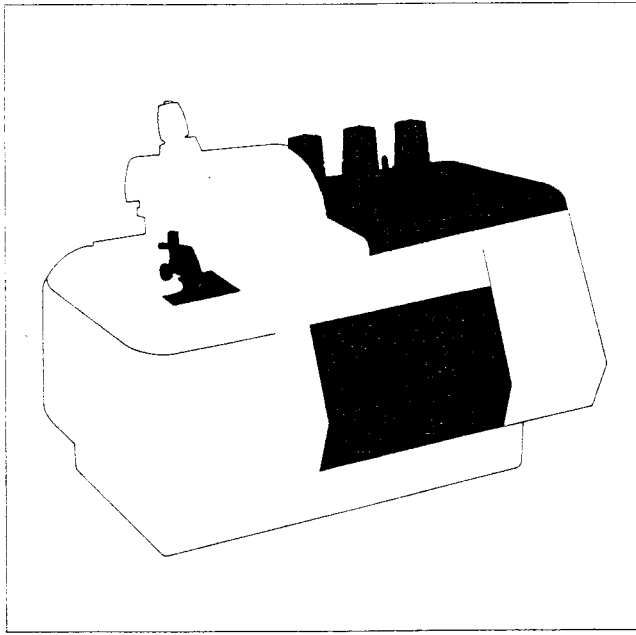




Parts List for 990B2 Machine

This machine is the same as the 990B3 with the following exceptions (continued from page 78)

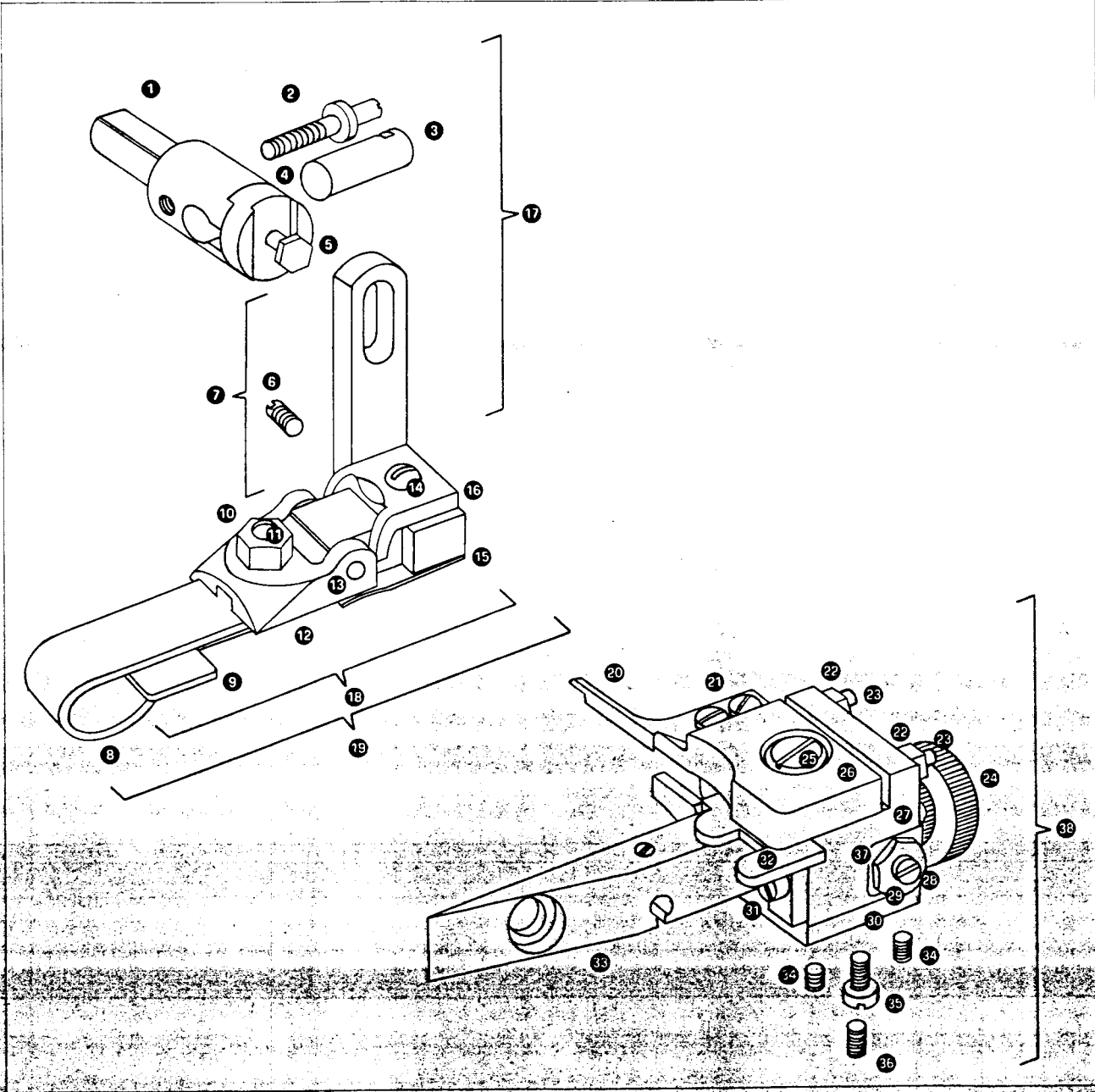
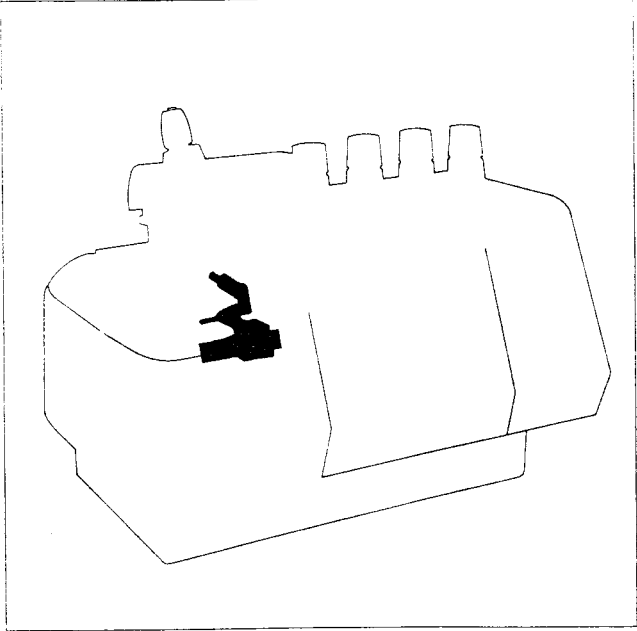
| Ref. No. | Parts added to 990B2 | Description | Parts removed from 990B3 |
|----------|----------------------|---|--------------------------|
| 1 | 164556 | Knife (movable) | 164550 |
| 2 | 108155 | Needle Carrier Assembly | 108153 |
| 3 | 108150 | Needle Clamp Thread Guide | |
| 4 | 107086(431) | Tension (light) complete (red) | |
| 5 | 107085(430) | Tension (heavy) complete (yellow) | |
| 6 | 107086(429) | Tension (light) complete (green) | |
| 7 | 164157 | Tension (light) Spring | 107084 |
| | | Tension (heavy) complete (green) | 107085(429) |
| | | Tension (heavy) complete (red) | 107085(431) |
| | | Tension (light) complete (yellow) | 107086(430) |
| 8 | 164474 | Presser Foot complete (except NAIMO) | 107083 |
| 9 | 164475 | Presser Foot complete (NAIMO) | 164150 |
| | 164471 | Presser Foot Body for 164474 and 164475 | 107082 |
| | | | 164145 |
| | 164438 | Presser Foot Chaining-off Finger for 164474 | |
| | | Presser Foot Chain Cutter Friction Plate | 164220 |
| | | Presser Foot Chain Cutter Knife | 164221 |
| | | Presser Foot Chain Cutter Knife Screw | 51306 |
| | 164303 | Presser Foot Guide | 164149 |
| | 218(804) | Presser Foot Guide Screw | 50169 |
| | 93196 | Presser Foot Thread Chain Guard | |
| | 140180(809) | Presser Foot Thread Chain Guard Screw | |
| 10 | 101737 | Throat Plate (NAIMO) | 81425-001 |
| 11 | 81425-009 | Throat Plate (except NAIMO) | 107103 |
| 12 | 87058 | Spreader | 87027 |
| 13 | 107815 | Thread (looper) Plate Cover | 107093(695) |
| 14 | 107929 | Thread (looper) Plate Cover Assembly | 107094 |
| 15 | 107928 | Machine Frame Top Cover Assembly | 107040 |
| | | Accessories | |
| | 164556 | Knife (movable) | 164550 |



Parts List for 990B4 Machine

This machine is the same as the 990B3 machine with the following exceptions (continued on page 86)

| Ref. No. | Parts added to 990B4 | Description | Parts removed from 990B3 |
|----------|----------------------|---|--------------------------|
| 1 | 98903(809) | Blind Stitch Hemming Attachment Support | |
| 2 | 109994(810) | Blind Stitch Hemming Attachment Adjusting Thumb Screw | |
| 3 | 164234 | Blind Stitch Hemming Attachment Adjusting Slide (cylindrical) | |
| 4 | 164238 | Blind Stitch Hemming Attachment Support Cap | |
| 5 | 140457(809) | Blind Stitch Hemming Attachment Adjusting Thumb Screw Locking Screw | |
| 6 | 904(830) | Blind Stitch Hemming Attachment Hinge Pin Set Screw | |
| 7 | 165084 | Blind Stitch Hemming Attachment Hinge Bracket with 904(830) | |
| 8 | 160376 | Blind Stitch Hemming Attachment Folder for $\frac{1}{2}$ inch to 2 inch hem in steps of $\frac{1}{8}$ inch | |
| | | Note: When ordering No. 160376, size of hem required must be stated. Unless otherwise specified No. 160376 will be furnished in $\frac{3}{4}$ inch gauge. | |
| 9 | 161634 | Blind Stitch Hemming Attachment Folder Lifting Plate | |
| 10 | 1628(810) | Blind Stitch Hemming Attachment Folder Screw Stud Nut | |
| 11 | 160379 | Blind Stitch Hemming Attachment Folder Screw Stud | |
| 12 | 161632 | Blind Stitch Hemming Attachment Folder Hinge | |
| 13 | 59480 | Blind Stitch Hemming Attachment Folder Hinge Pin | |
| 14 | 335(809) | Blind Stitch Hemming Attachment Folder Stop Plate Screw | |
| 15 | 161633 | Blind Stitch Hemming Attachment Folder Hinge Spring | |
| — | 228(809) | Blind Stitch Hemming Attachment Folder Hinge Spring Screw | |
| 16 | 160380 | Blind Stitch Hemming Attachment Folder Stop Plate | |
| 17 | 165085 | Blind Stitch Hemming Attachment Support, complete, Nos. 98903(809), 109994(810), 140457(809), 164234, 164238, 165084 | |
| 18 | 161635 | Blind Stitch Hemming Attachment Folder Holder, complete, Nos. 228(809), 335(809), 1628(810), 59480, 160379, 160380, 161632, 161633 and 161634 | |
| 19 | 161636 | Blind Stitch Hemming Attachment Holder with Folder complete (flip-up type) Nos. 160376 and 161635 | |
| | | Note: When ordering No. 161636, size of hem must be stated. Unless otherwise specified No. 161636 will be furnished with $\frac{3}{4}$ inch gauge | |
| 20 | 161642 | Edge Guide (floating) Guiding Finger | |
| 21 | 50202(809) | Edge Guide (floating) Guiding Finger Screw (2) | |
| 22 | 1607(809) | Edge Guide (floating) Levelling Screw Nut (2) | |
| 23 | 141010(805) | Edge Guide (floating) Levelling Screw (2) | |
| 24 | 141009 | Edge Guide Adjusting Screw | |
| — | 2656 | Edge Guide (floating) Spring | |
| — | 141010(805) | Edge Guide (floating) Spring Screw | |
| — | 1607(809) | Edge Guide (floating) Spring Screw Nut | |
| 25 | 50435(810) | Edge Guide (floating) Hinge Screw | |
| 26 | 161641 | Edge Guide (floating) | |
| 27 | 161639 | Edge Guide (fixed) | |
| 28 | 447(830) | Edge Guide Adjusting Screw Locking Spring Screw | |
| 29 | 1700(809) | Edge Guide Adjusting Screw Locking Spring Screw Nut | |
| 30 | 161640 | Edge Guide (fixed) Adjusting Plate with 50429(830) and two 460(830) | |
| 31 | 193(806) | Cloth Plate Fill-in Piece Screw | |
| 32 | 161637 | Cloth Plate Fill-in Piece | |
| 33 | 161643 | Edge Guide Support and Throat Plate Guide with 853(830) | |
| 34 | 460(830) | Edge Guide (fixed) Adjusting Plate Levelling Screw (2) | |
| 35 | 193(806) | Edge Guide (fixed) Adjusting Plate Screw (large) | |
| 36 | 50429(830) | Edge Guide (fixed) Adjusting Plate Screw (small) | |
| 37 | 161638 | Edge Guide Adjusting Screw Locking Spring | |
| 38 | 161645 | Edge Guide (adjustable) with Guiding Finger extending up to Needle, complete, Nos. 447(830), 1700(809), 2656, 50435(810), 141009(810), 161637, 161638, 161640, 161641, 161642, 161643, 161644, two each 193(806), 1607(809), 50202(809) and 141010(805) | |
| — | 161644 | Edge Guide Support and Throat Plate Fill-in Plate | |



Parts List for 990B4 Machine

This machine is the same as the 990B3 Machine with the following exceptions (continued from page 84)

| Ref. No. | Parts added to 990B4 | Description | Parts removed from 990B3 |
|----------|----------------------|--|--------------------------|
| 1 | 108155 | Needle Carrier Assembly | 108153 |
| 2 | 108150 | Needle Clamp Thread Guide | |
| 3 | 87058 | Spreader | 87027 |
| 4 | 107086(431) | Tension (light) complete (red) | |
| 5 | 107085(430) | Tension (heavy) complete (yellow) | |
| 6 | 107086(429) | Tension (light) complete (green) | |
| 7 | 164157 | Tension (light) Spring | 107084 |
| | | Tension (heavy) complete (green) | 107085(429) |
| | | Tension (heavy) complete (red) | 107085(431) |
| | | Tension (light) complete (yellow) | 107086(430) |
| 8 | 51362(830) | Chain Cutter Screw | |
| 9 | 50470(809) | Chain Cutter Knife Screw | |
| 10 | 164861 | Chain Cutter Knife | |
| 11 | 98721 | Chain Cutter Holder | |
| 12 | 98991 | Chain Cutter complete | |
| 13 | 107803 | Cloth Plate Assembly | 106439 |
| 14 | 107800 | Cloth Plate Extension | 106435 |
| 15 | 109927(869) | Cloth Plate Hinge Bracket Hinge Pin Locking Screw | 108436 |
| 16 | 107887 | Cloth Plate Lock Spring | 164205 |
| 17 | 107888 | Cloth Plate with Extension complete | 106440 |
| | | Cloth Plate Extension Assembly | 107198 |
| 18 | 165096 | Throat Plate | 107103 or 81425-001 |
| | | Throat Plate Guide | 81433 |
| | | Throat Plate Guide Screw | 1454(805) |
| 19 | 165094 | Presser Foot complete | 107083 or 164150 |
| | 165091 | Presser Foot Body | 107082 or 164145 |
| | 165092 | Presser Foot Chaining-off Finger and Guide | 164146 |
| | 164147 | Presser Foot Clamping Plate | |
| | 165093 | Presser Foot Extension | |
| | 51306 | Presser Foot Extension Screw | |
| | | Presser Foot Guide | 164149 |
| | | Presser Foot Guide Screw | 50169(809) |
| | | Presser Foot Chain Cutter Friction Plate | 164220 |
| | | Presser Foot Chain Cutter Knife | 164221 |
| | | Presser Foot Chain Cutter Knife Screw | 51306(805) |
| 20 | 165088 | Feed (front) Dog | 164019 |
| 21 | 165087 | Feed (back) Dog complete Nos. 1100(830), 164012 and 165086 | 106444 or 164013 |
| | 165086 | Feed (back) Dog Section (left) | 164011 |
| | | Feed (back) Dog Section (right) | 106443 or 164012 |
| | 107928 | Machine Frame Top Cover Assembly | 107040 |
| | 190(803) | Thread (looper) Take-up Screw (lower) | |
| | 107798 | Thread (looper) Plate Cover with 109927(869) | 107093(695) |
| | 107799 | Thread (looper) Plate Cover Assembly | 107094 |

