



Union Special[®]
INDUSTRIAL SEWING EQUIPMENT

STYLES

SUPPLEMENT MANUAL

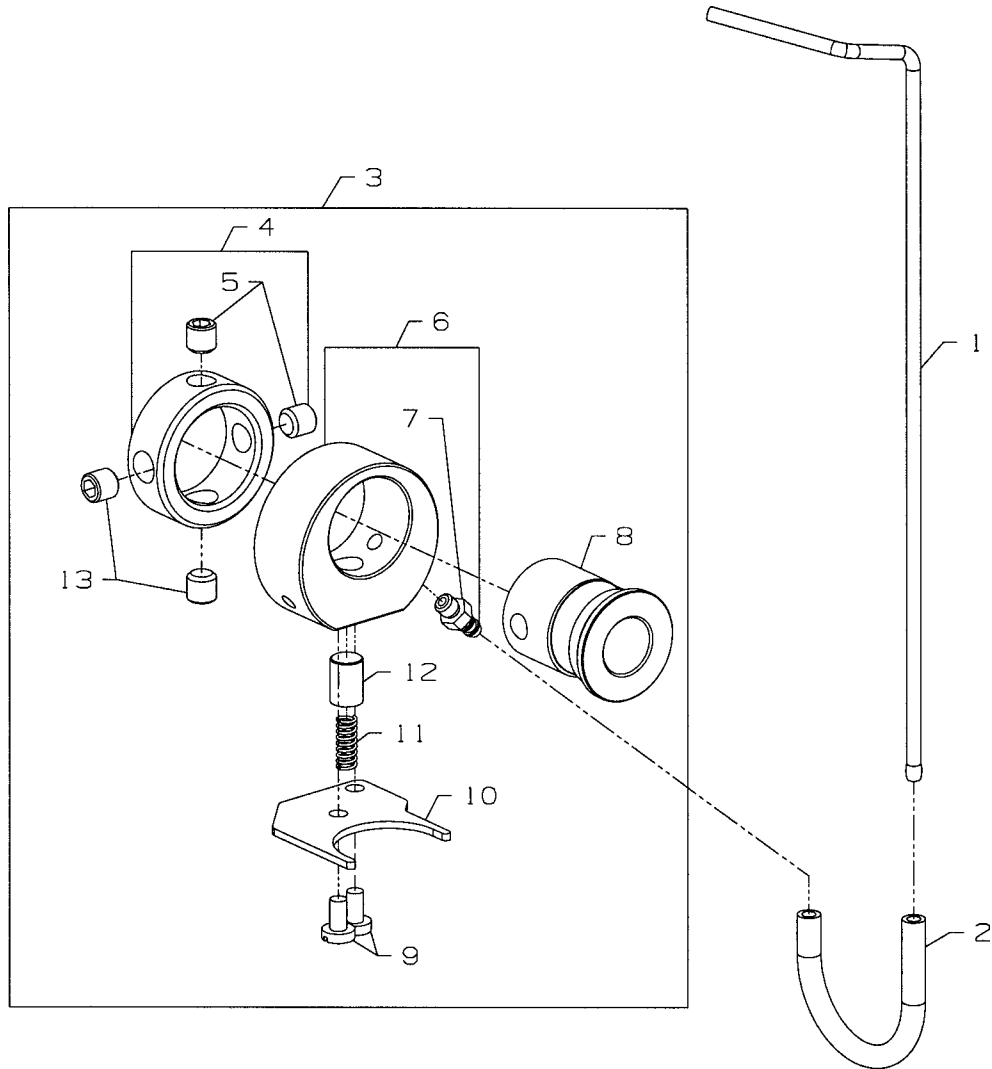
63900AM
63900AML
63900AT
63900AW
63900AAE

**63900 STREAMLINED HIGH SPEED NEEDLE
FEED TOP AND BOTTOM ROLLER FEED
LOCKSTITCH MACHINES**

CATALOG NO.
PT9912

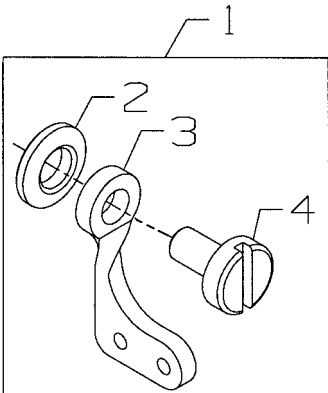
**SUPPLEMENT TO
CATALOG NO.
PT9636**

OIL PUMP ASSEMBLY

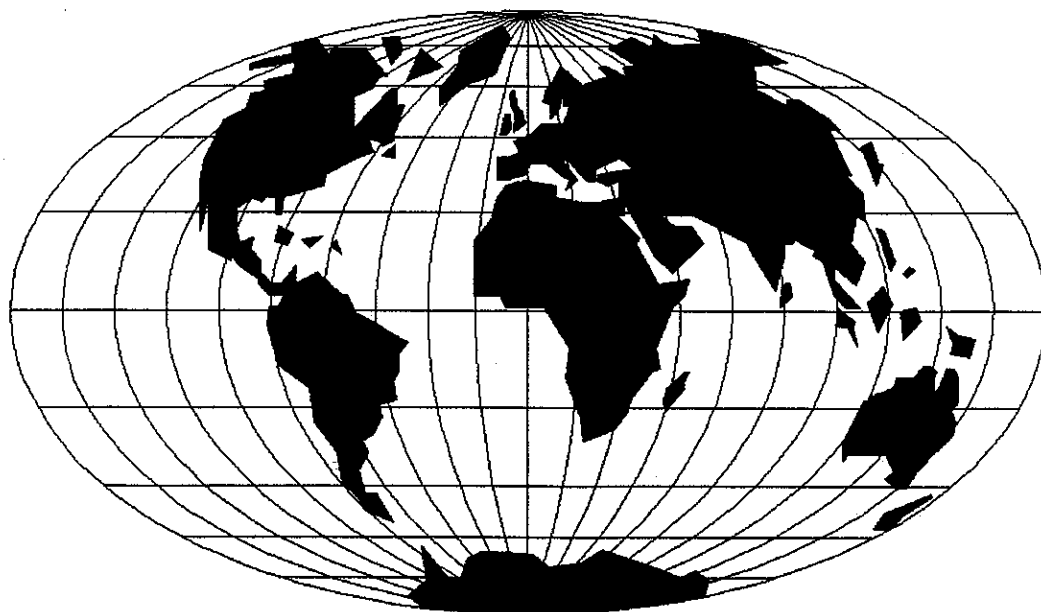


Ref. No.	Part No.	Description	Amt. Req.
1.	63993P	Oil Tube	1
2.	50393HV	Oil Tube	1
3.	63993J	Oil Pump Assembly	1
4.	50393EX	Collar	1
5.	18-1242	Screw	2
6.	63993K	Housing	1
7.	SQ111041MZ	Fitting	1
8.	63993L	Bushing	1
9.	SS7090710SP	Screw	2
10.	63993N	Plate	1
11.	50393KE	Spring	1
12.	B3534155000	Plunger	1
13.	SS8660612TP	Screw	2

NEEDLETHREADEYELETKIT



Ref. No.	Part No.	Description	Amt. Req.
1.	29480AZR	Needle thread Eyelet Kit	1
2.	21695L	Washer	1
3.	158B	Eyelet	1
4.	98A	Screw	1



WORLDWIDE SALES AND SERVICE

Union Special Corporation maintains sales and service facilities throughout the world. These offices will aid you in the selection of the right sewing equipment for your particular operation. Union Special Corporation representatives and service technicians are factory trained and are able to serve your needs promptly and efficiently. Whatever your location, there is a qualified representative to serve you.

Brussels, Belgium
Charlotte, N.C.
El Paso, TX
Hong Kong, China
Huntley, IL
Leicester, England
Lille, France
Miami, FL
Milan, Italy
Möglingen, Germany
Montreal, Quebec
Osaka, Japan
Santa Fe Springs, CA

Other Representatives throughout
all parts of the world.



Union Special
INDUSTRIAL SEWING EQUIPMENT