

Singer 114-51

Form 20486  
(152)  
Printed in U.S.A.

HISTORICAL COPY  
DO NOT REMOVE

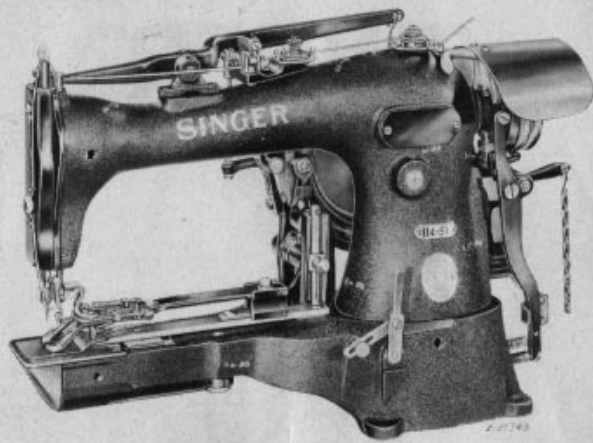
**SINGER\*\***



**MACHINE No. 114-51**

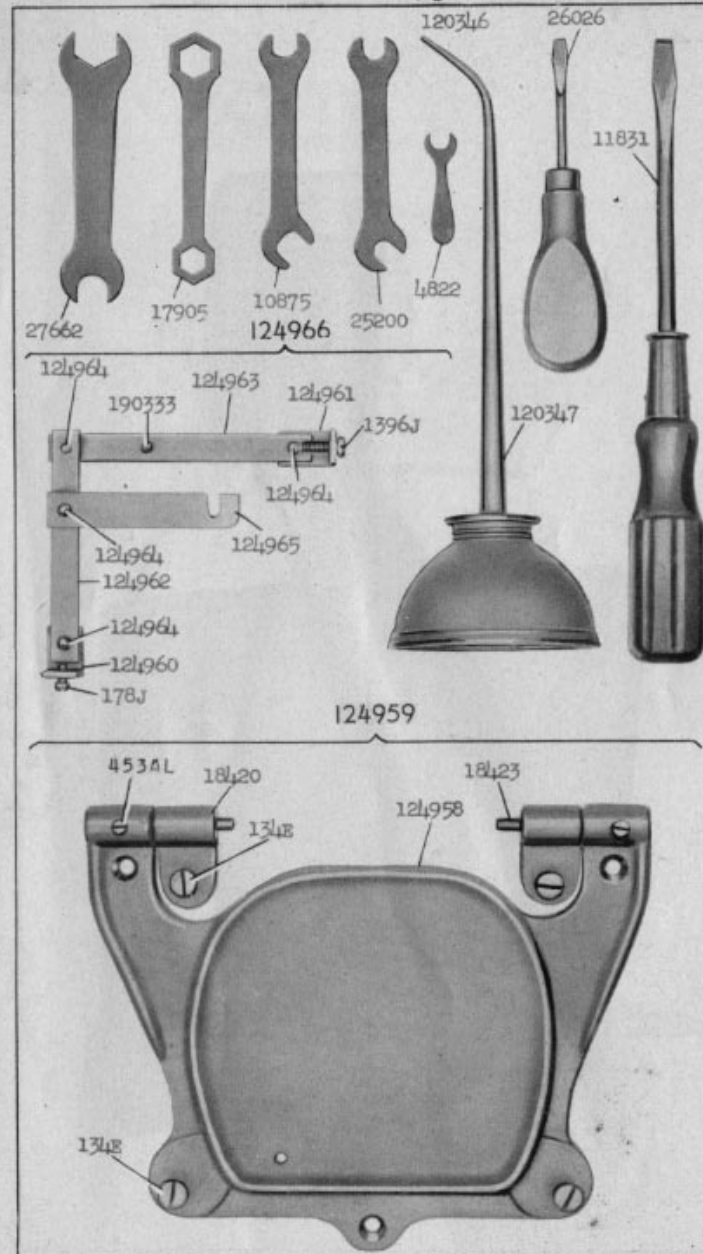
---

**\*\* A TRADE MARK OF  
THE SINGER MANUFACTURING COMPANY**



Copyright, U. S. A., 1940, 1951 and 1952 by  
 The Singer Manufacturing Company  
 All Rights Reserved for All Countries

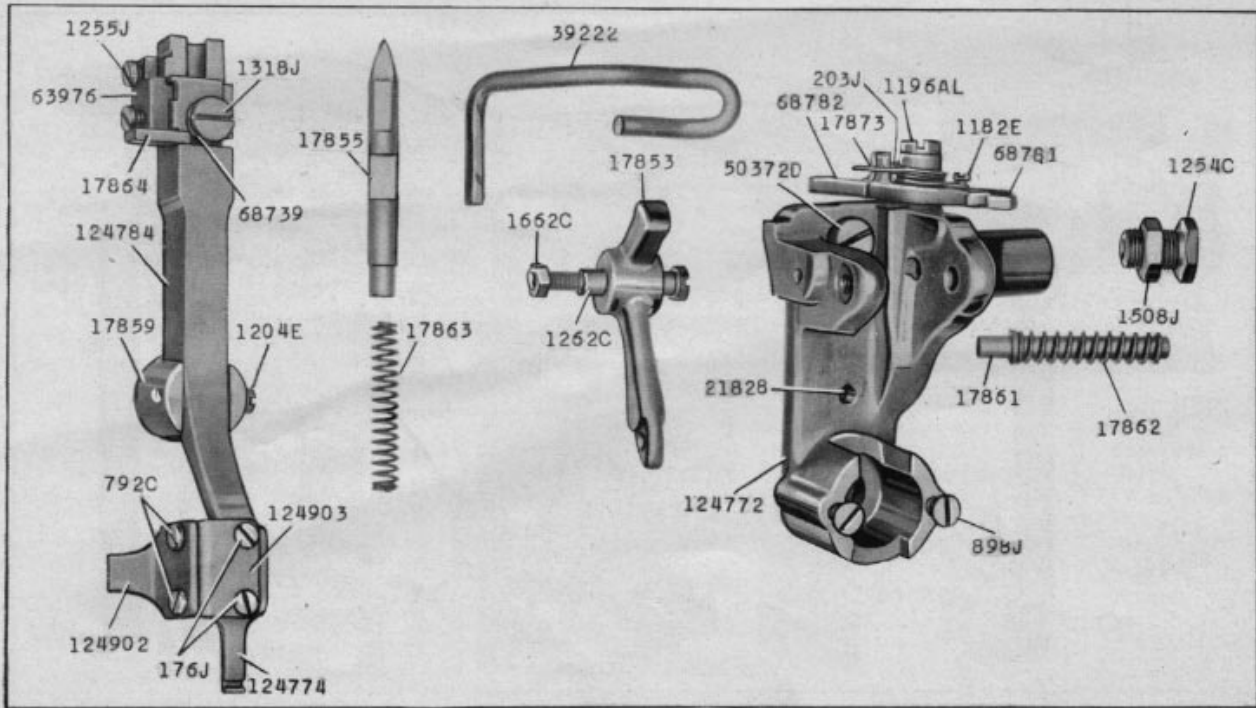
23157 - 1/3



23174 - 1/2

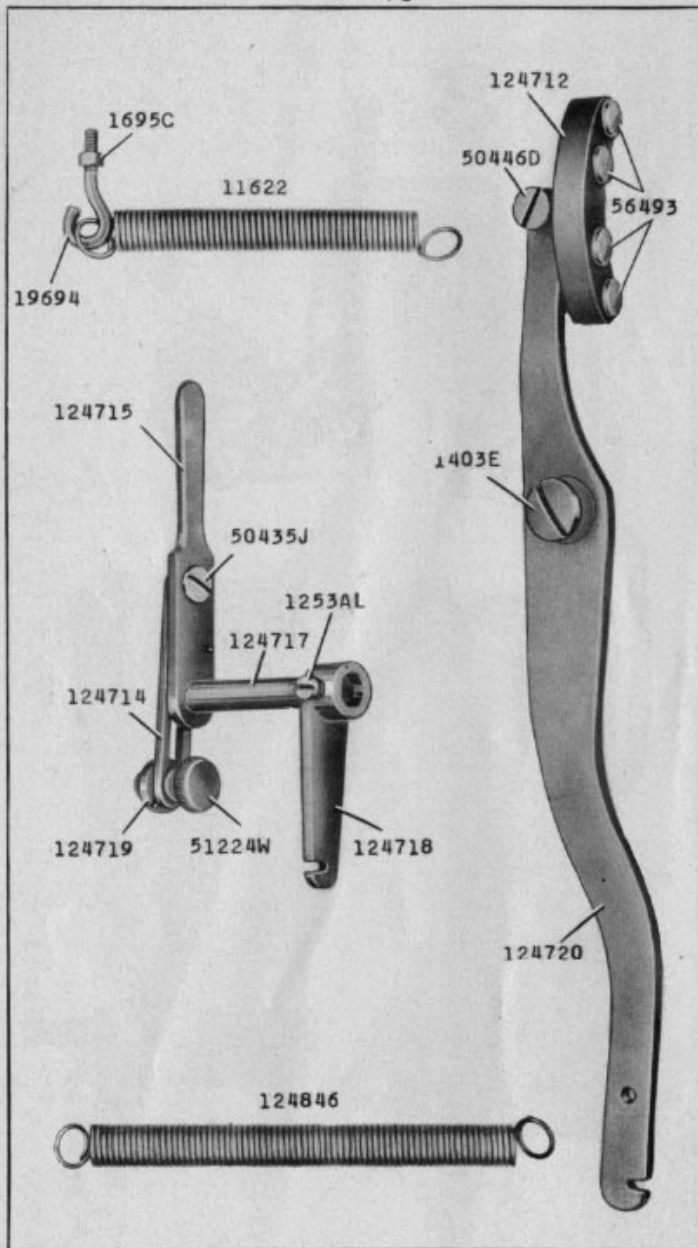
59797

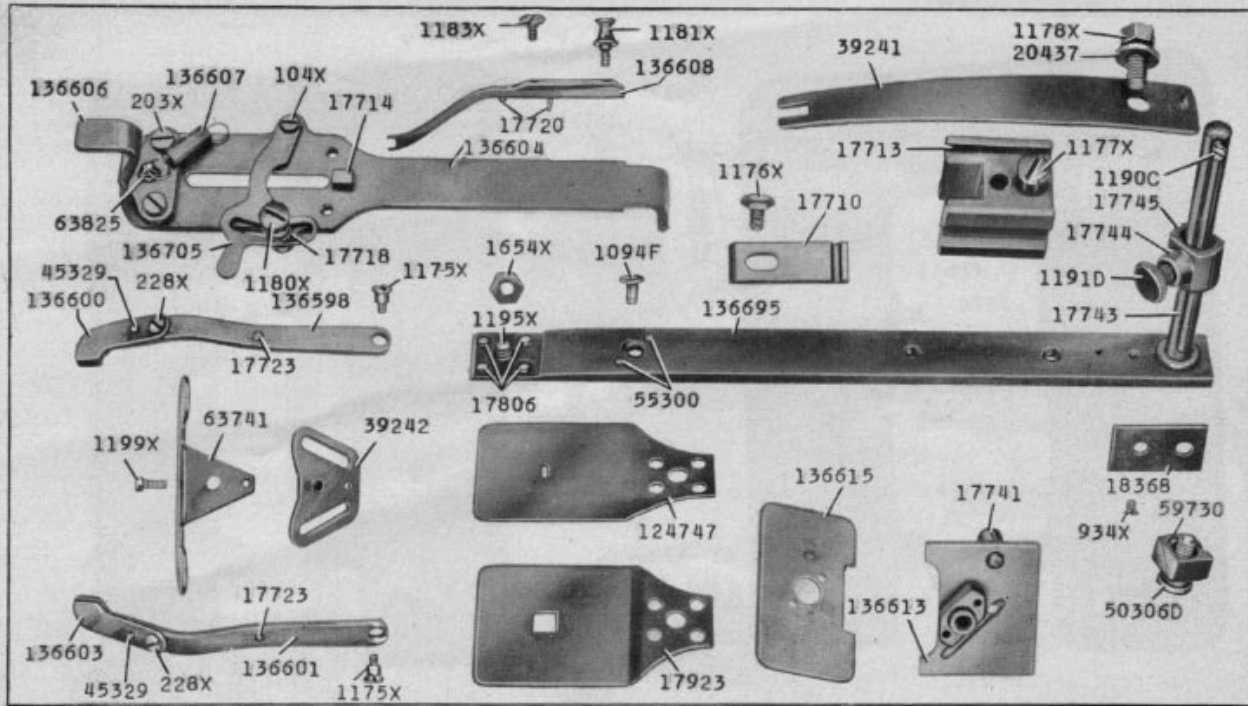




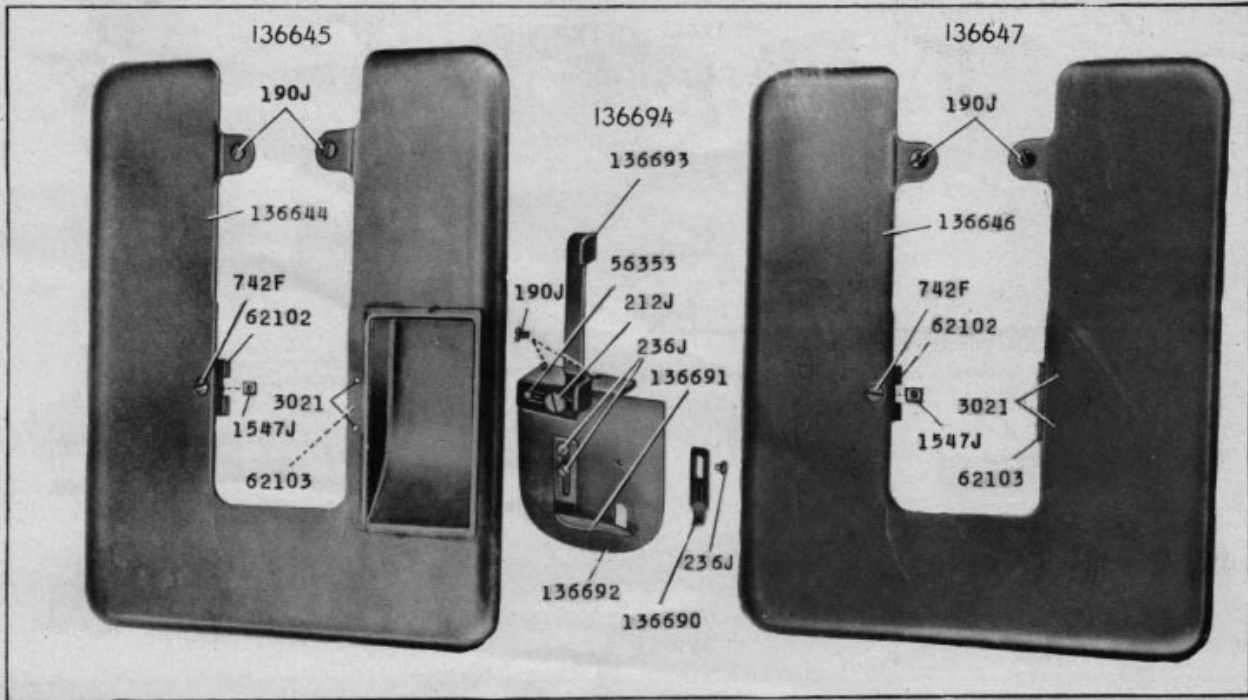
23195-2/3

23196 - 2/3

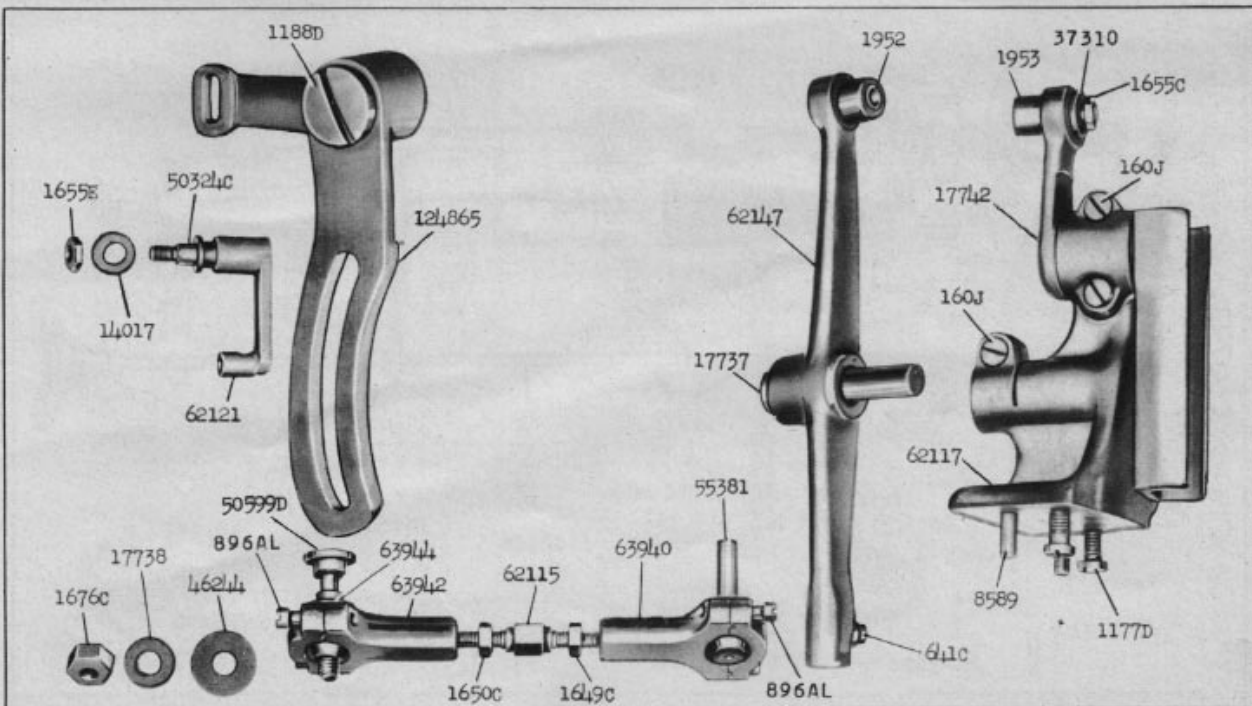




23197-1/2



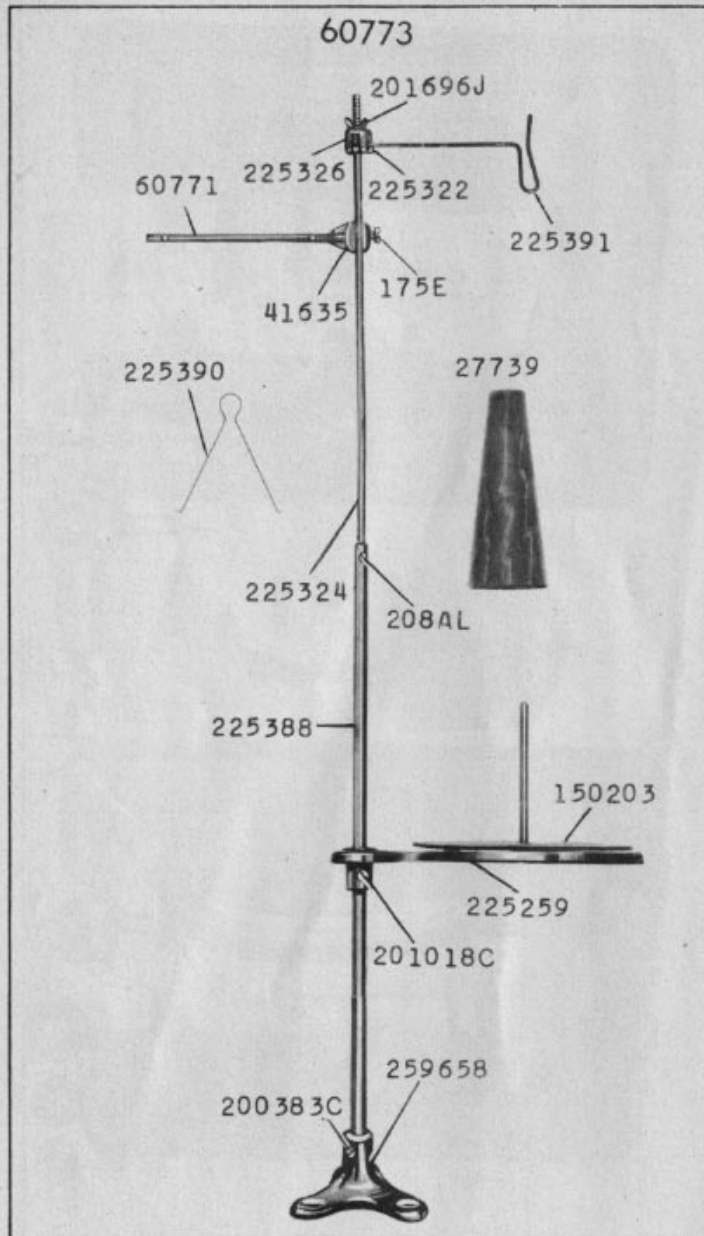
25261 - 1/3



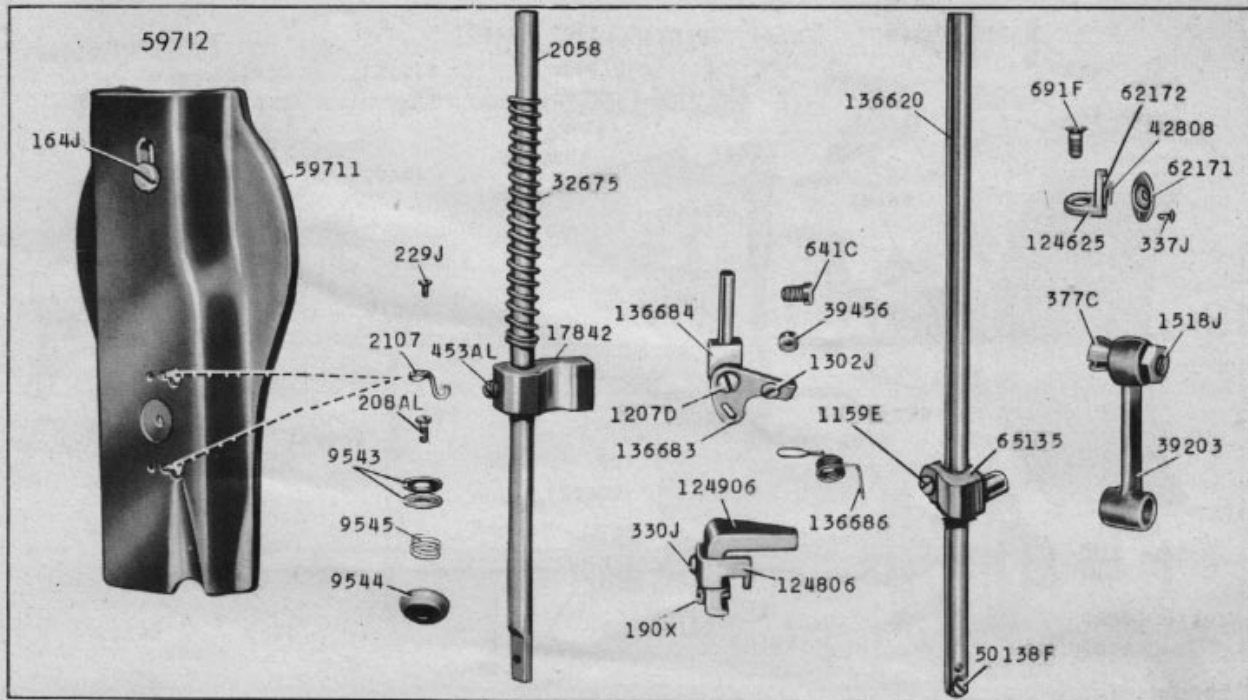
25262 - 1/2



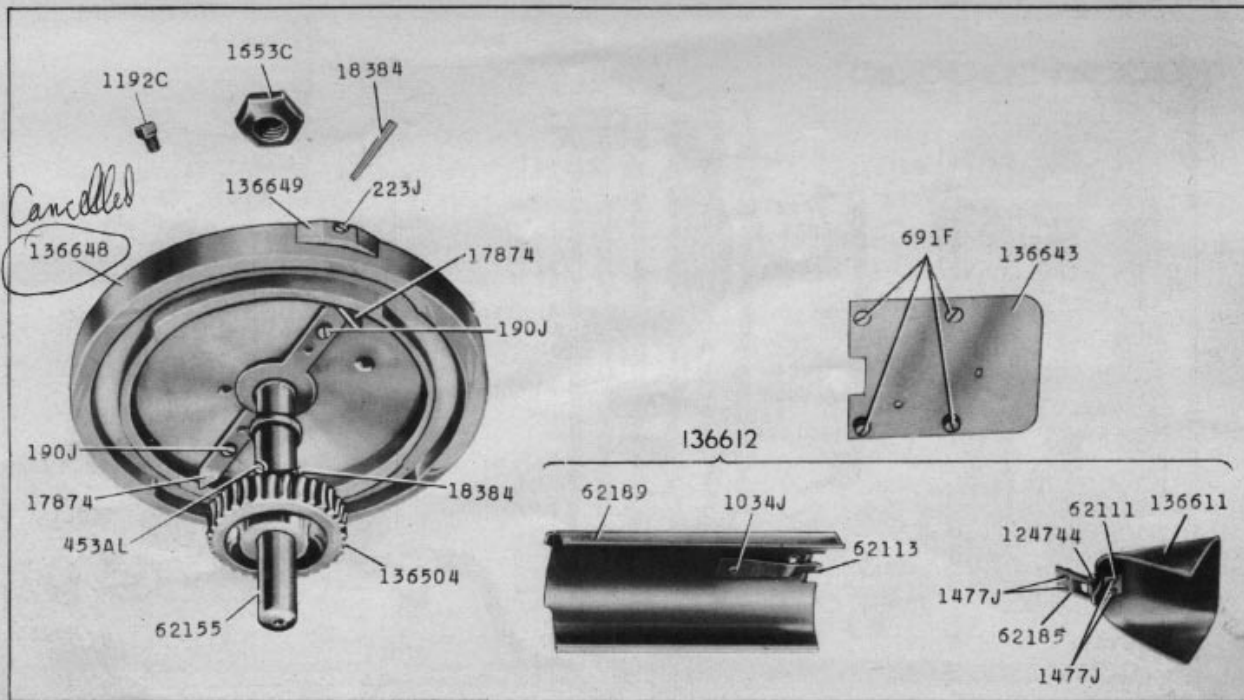
25265 - 1/4



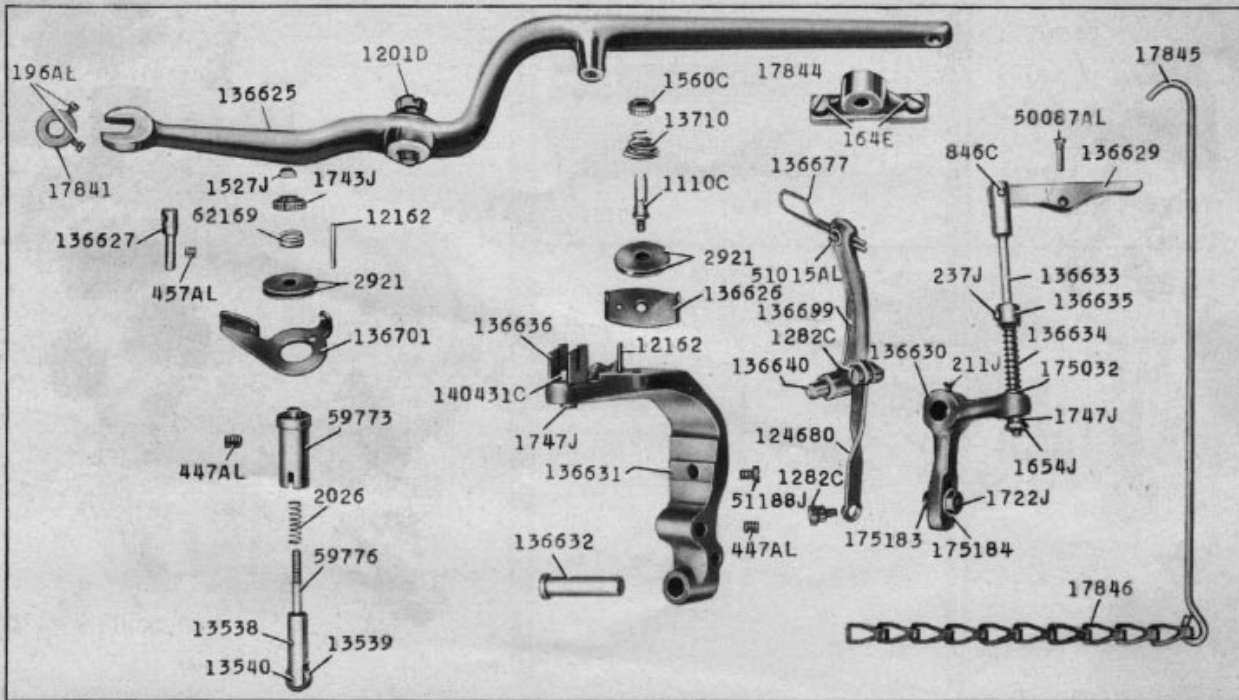




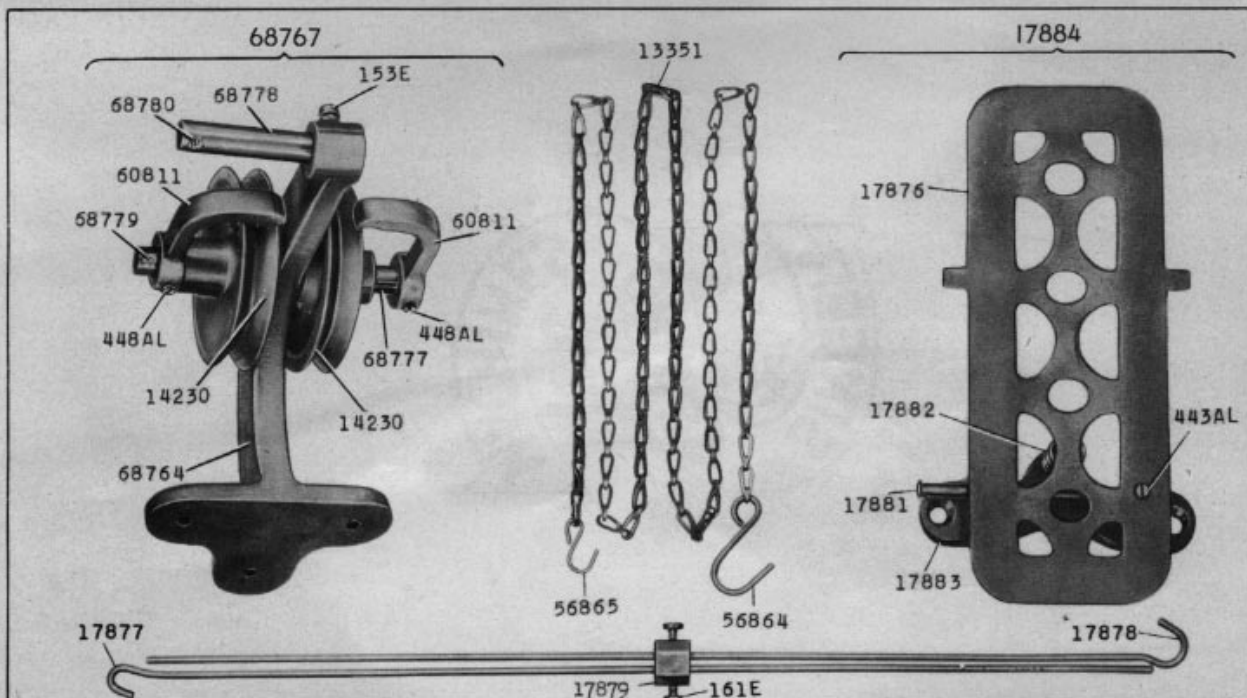
25269-1/2



25271-1/3



25275-1/3



25276-1/3