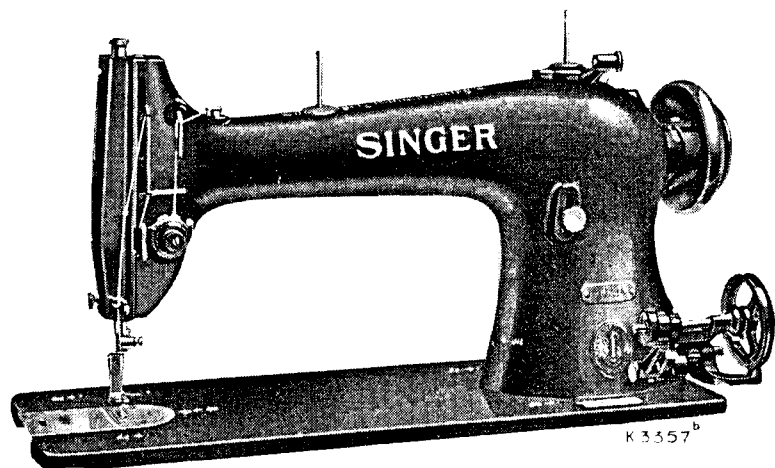


SINGER
96K40 to K45 and K60

ILLUSTRATED
LIST OF PARTS

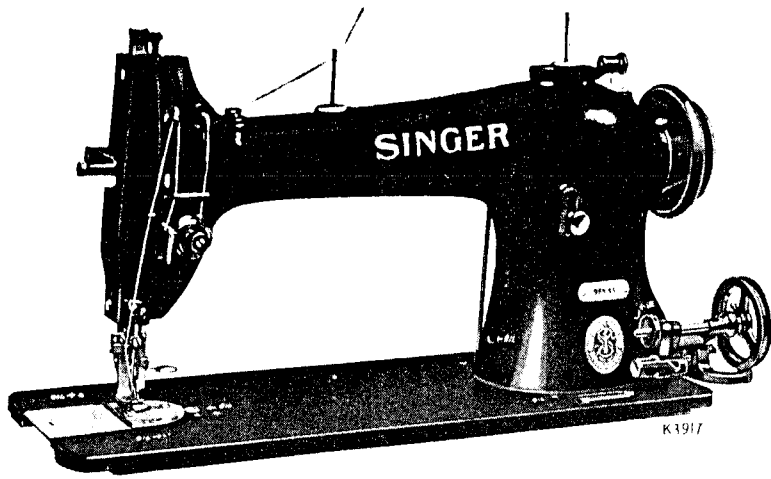
FOR

Nos. 96K40 to 96K45
and 96K60 Machines

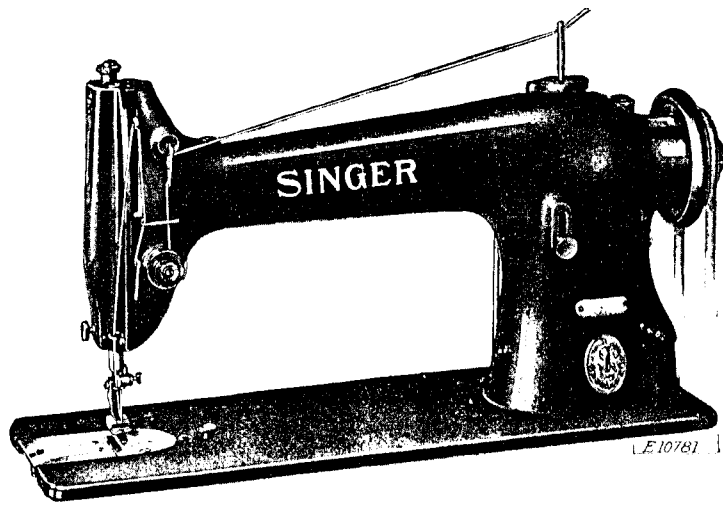


No. 96K40 Machine.

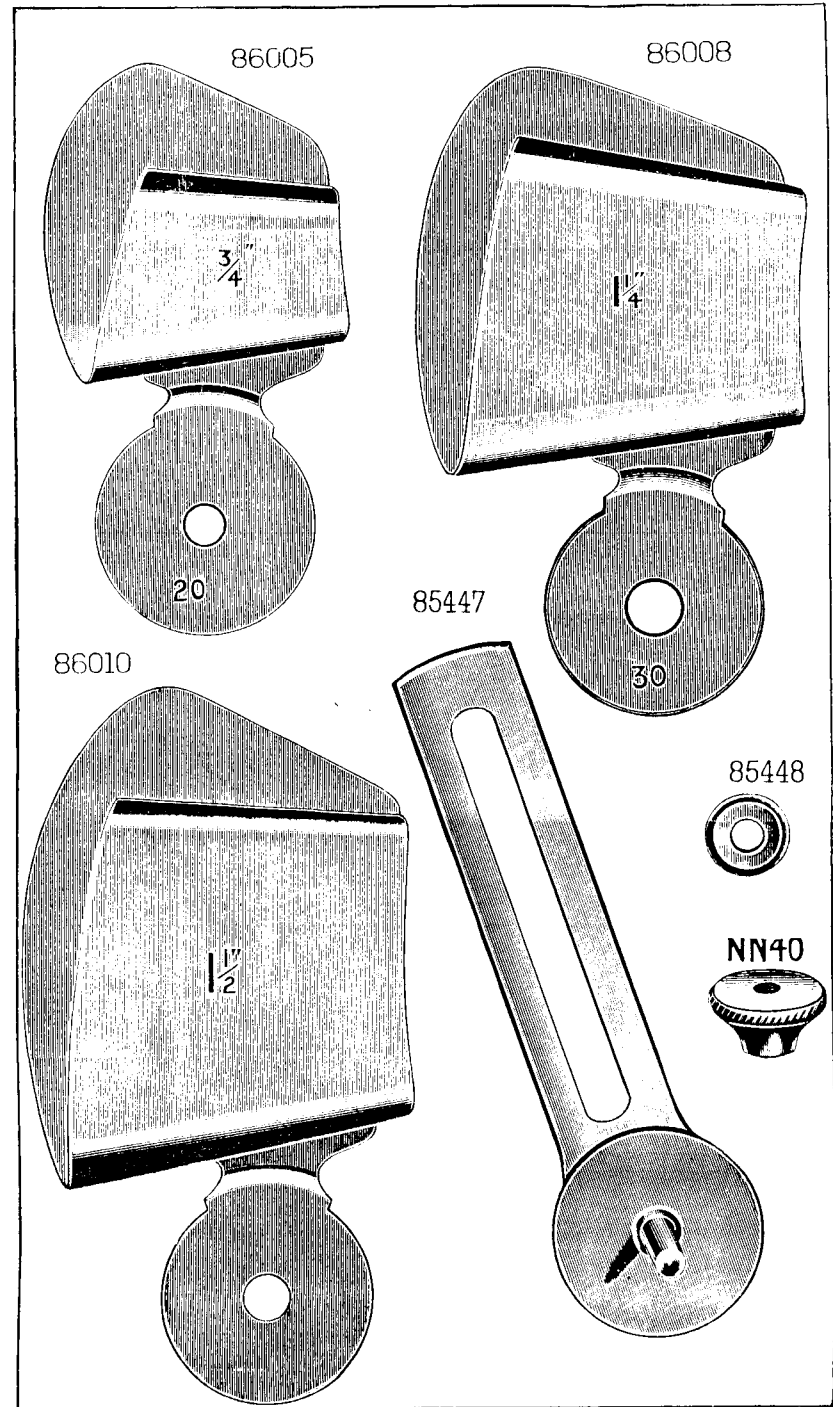
THE SINGER MANUFACTURING CO.

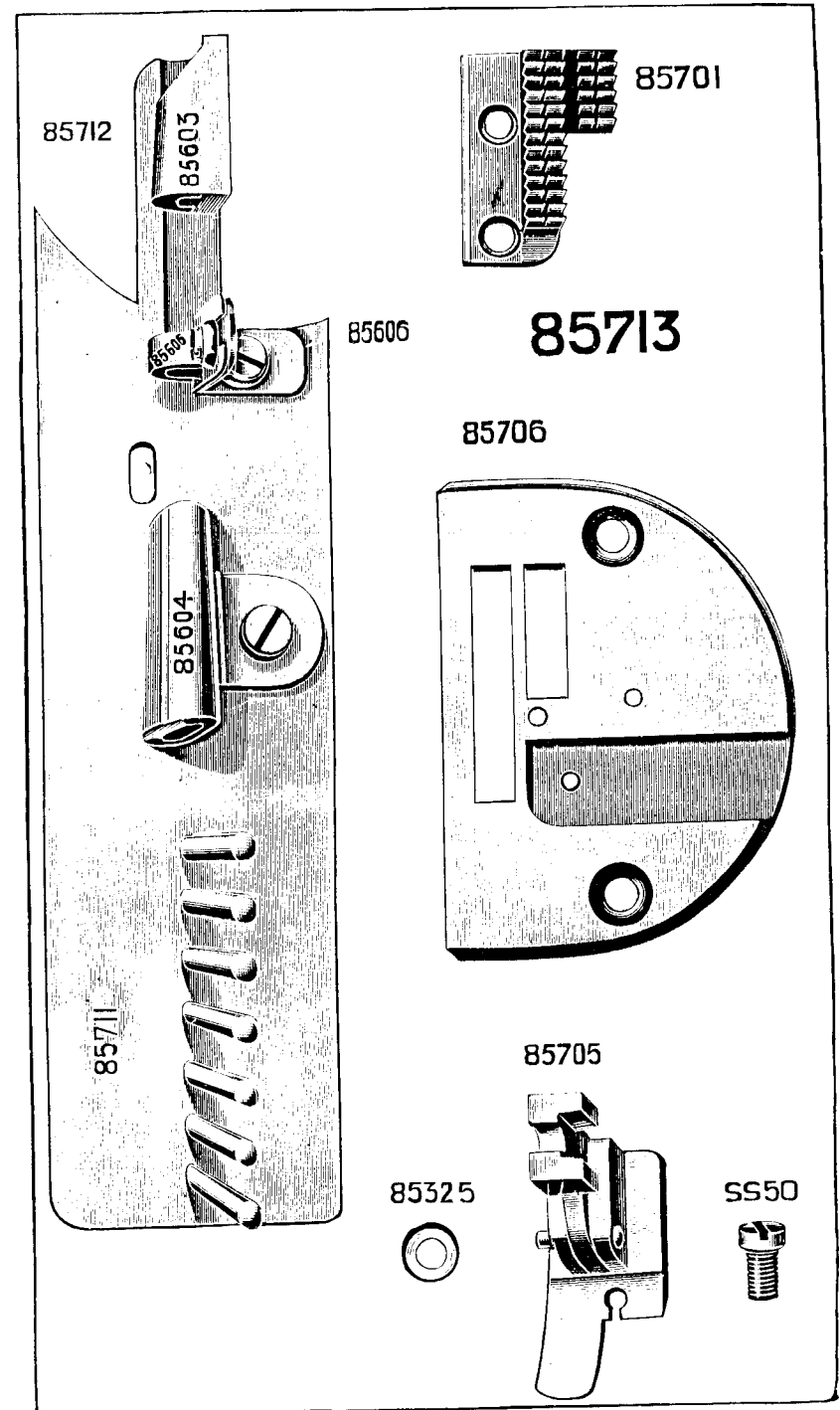
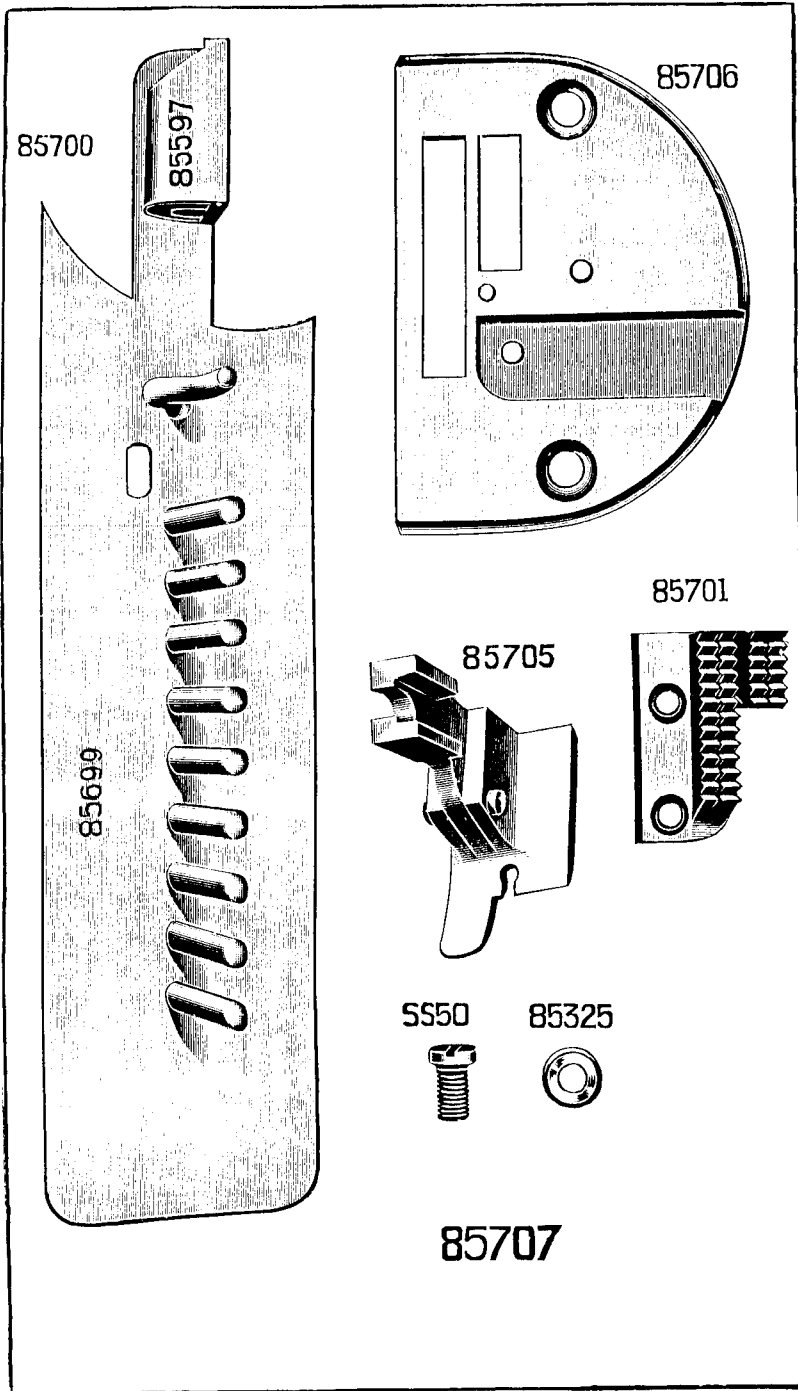


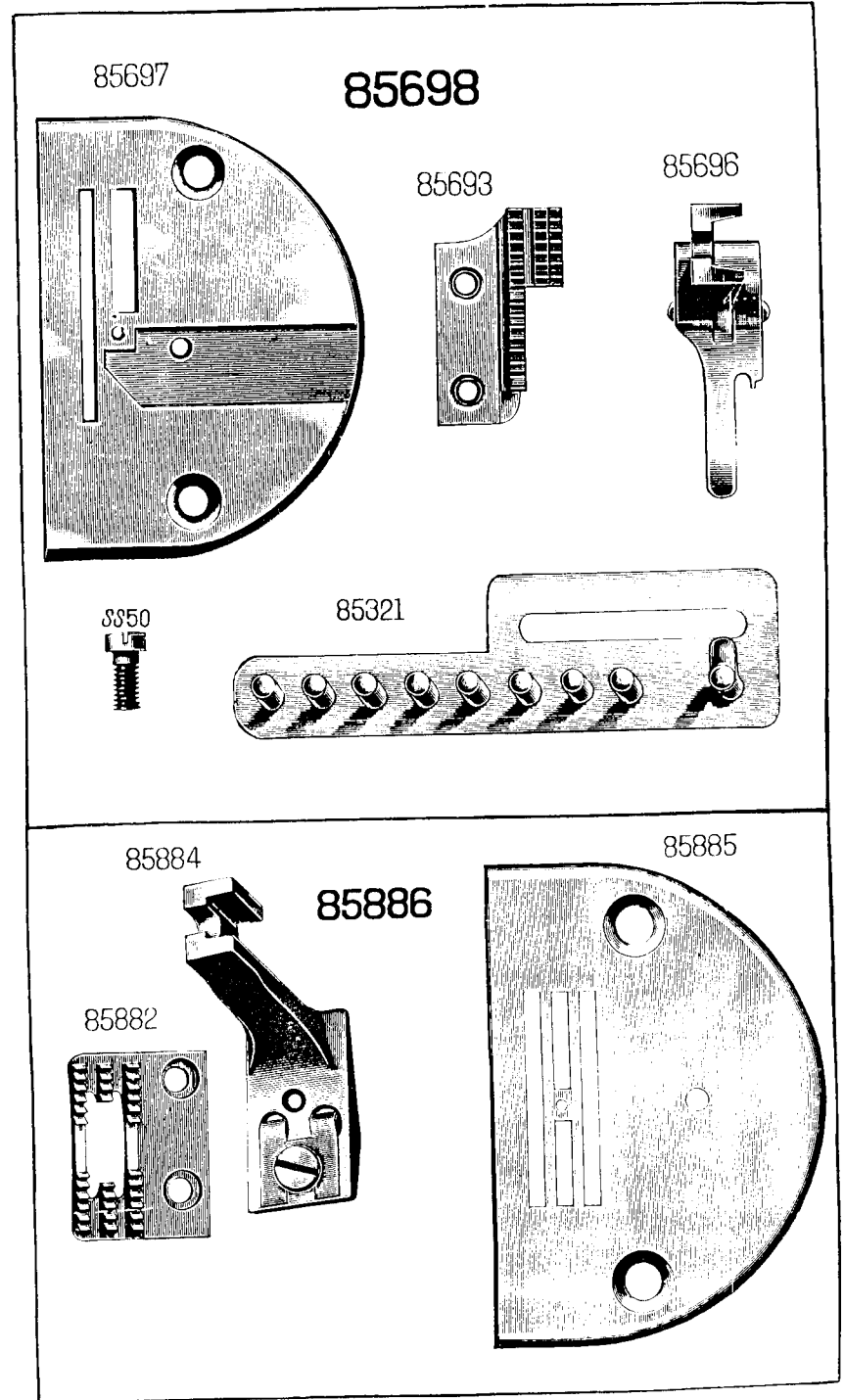
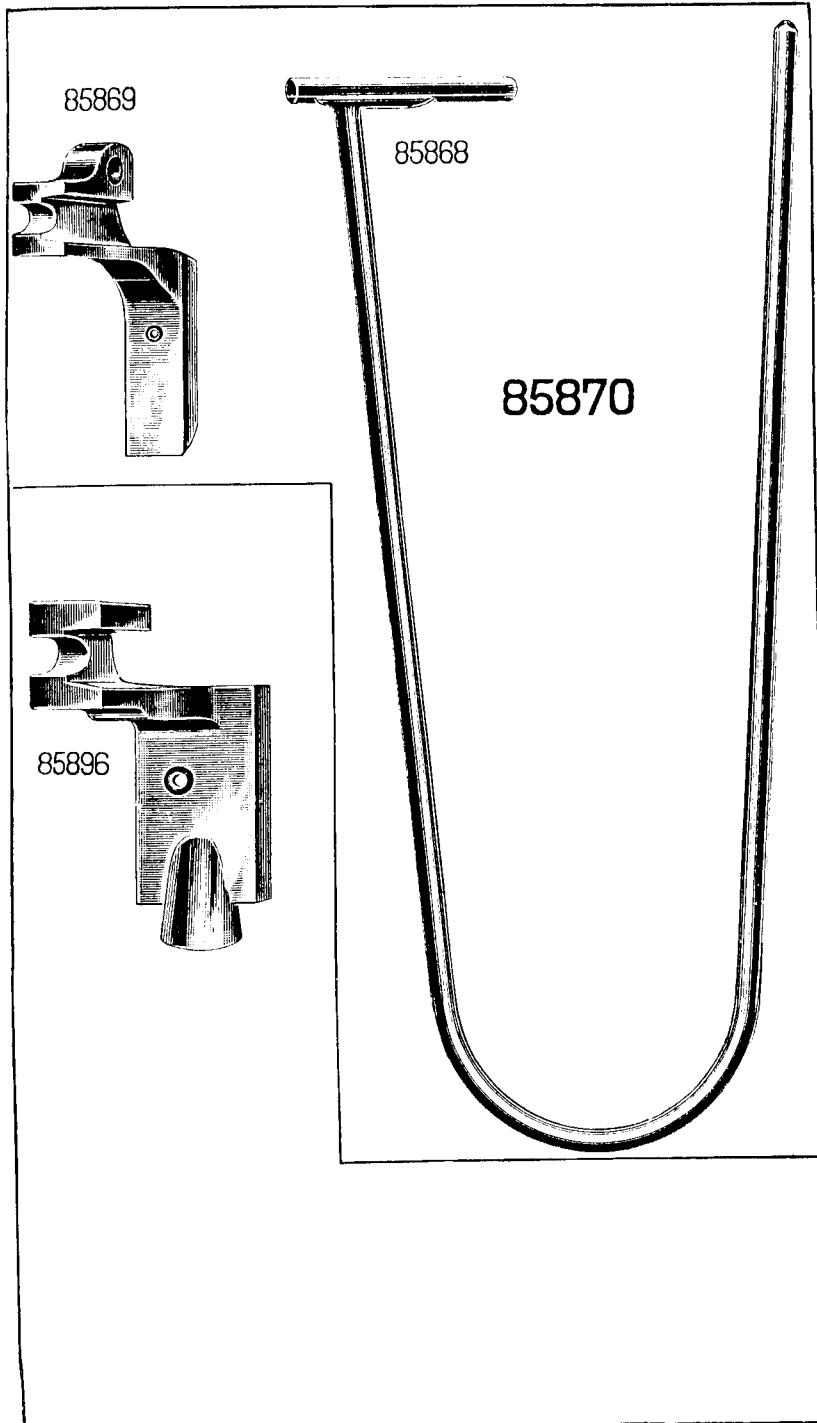
No. 96K45 Machine

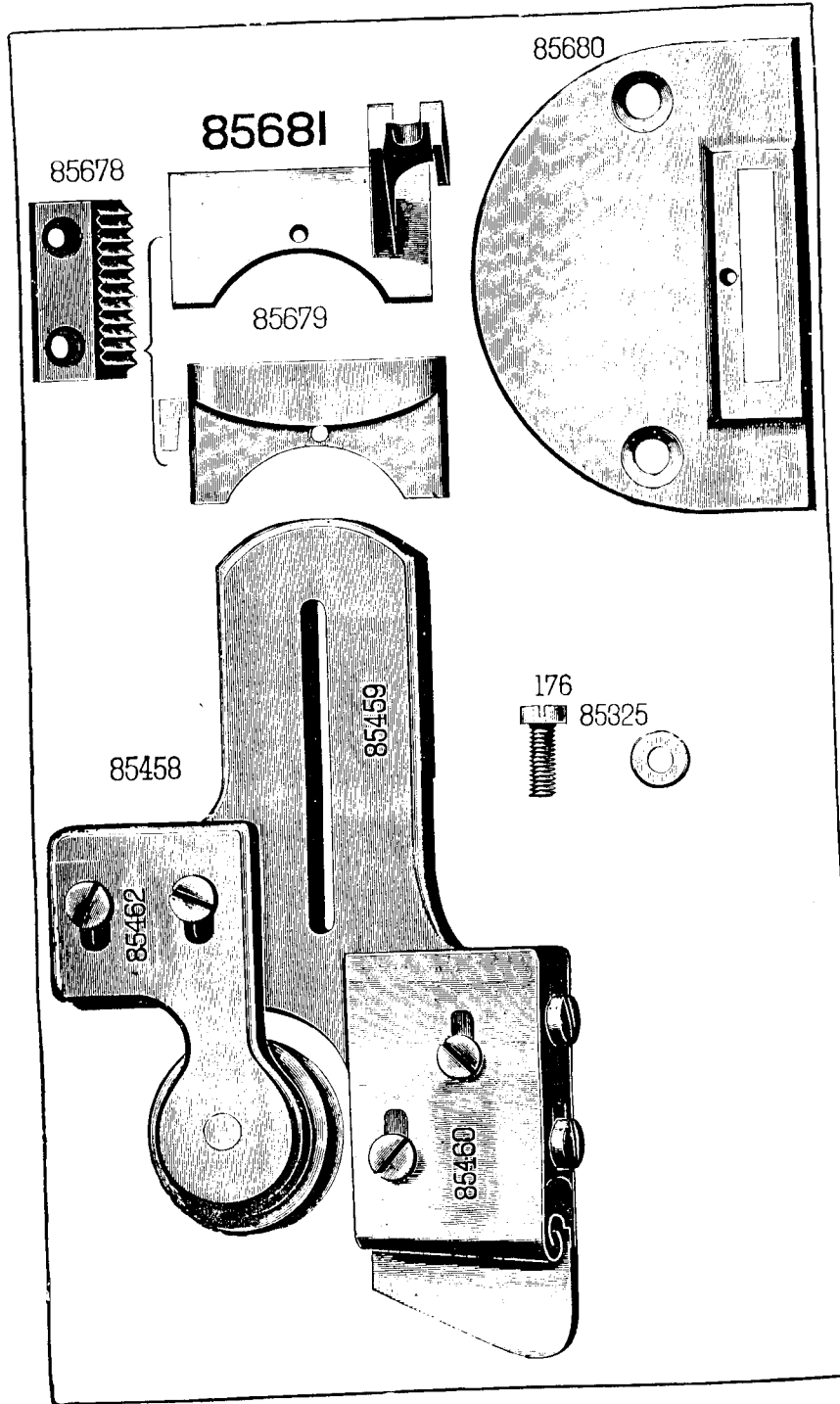
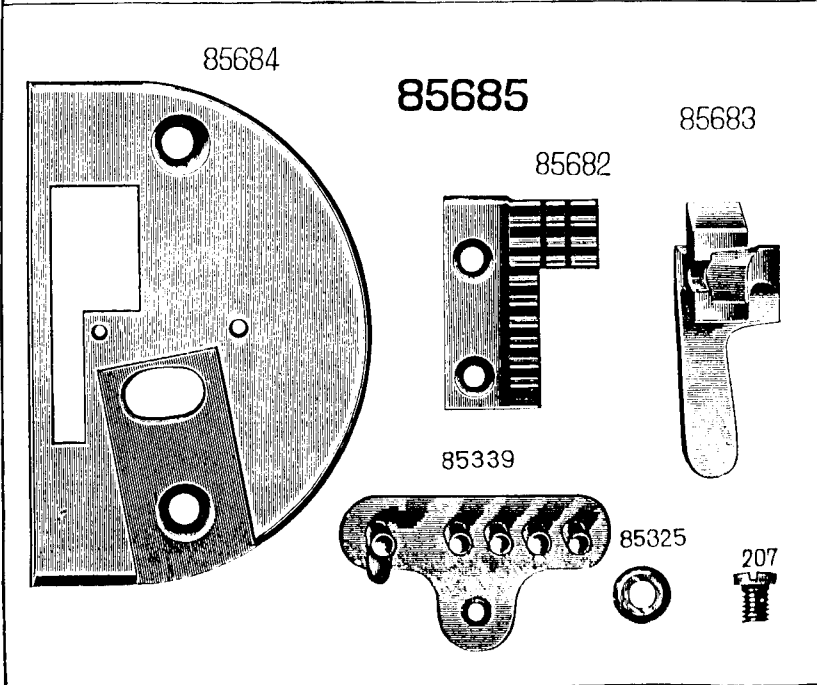
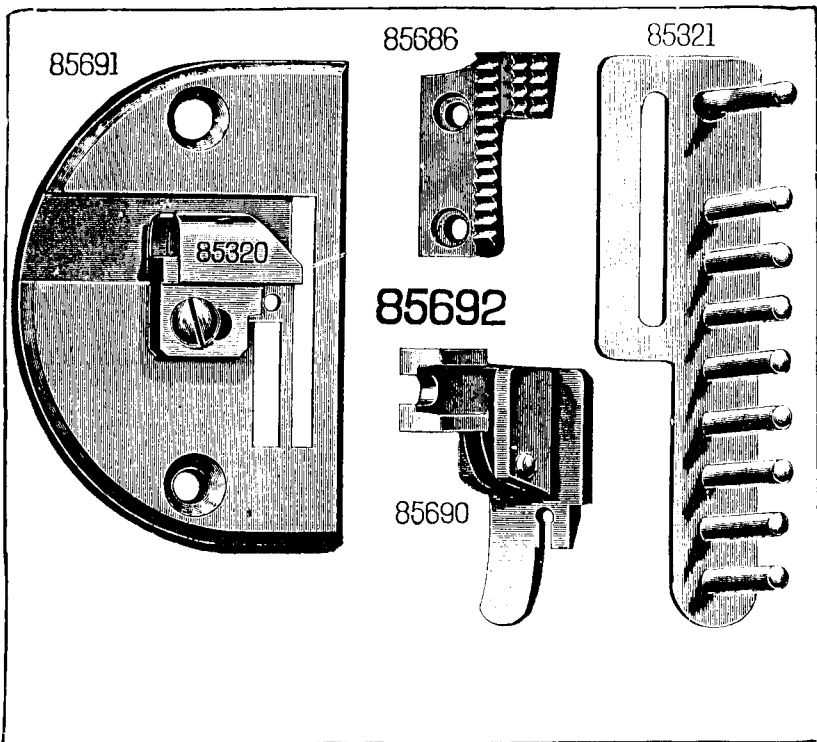


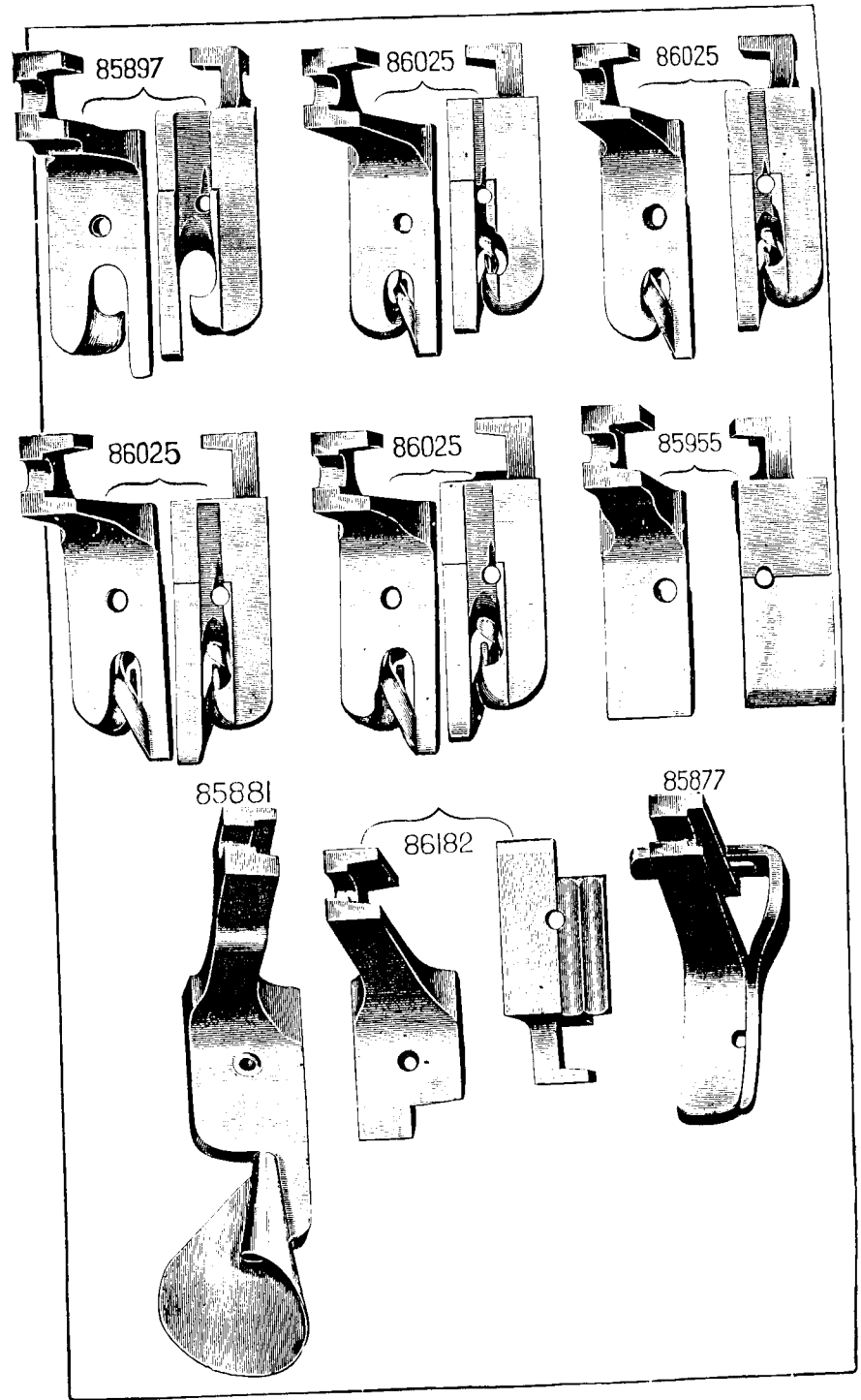
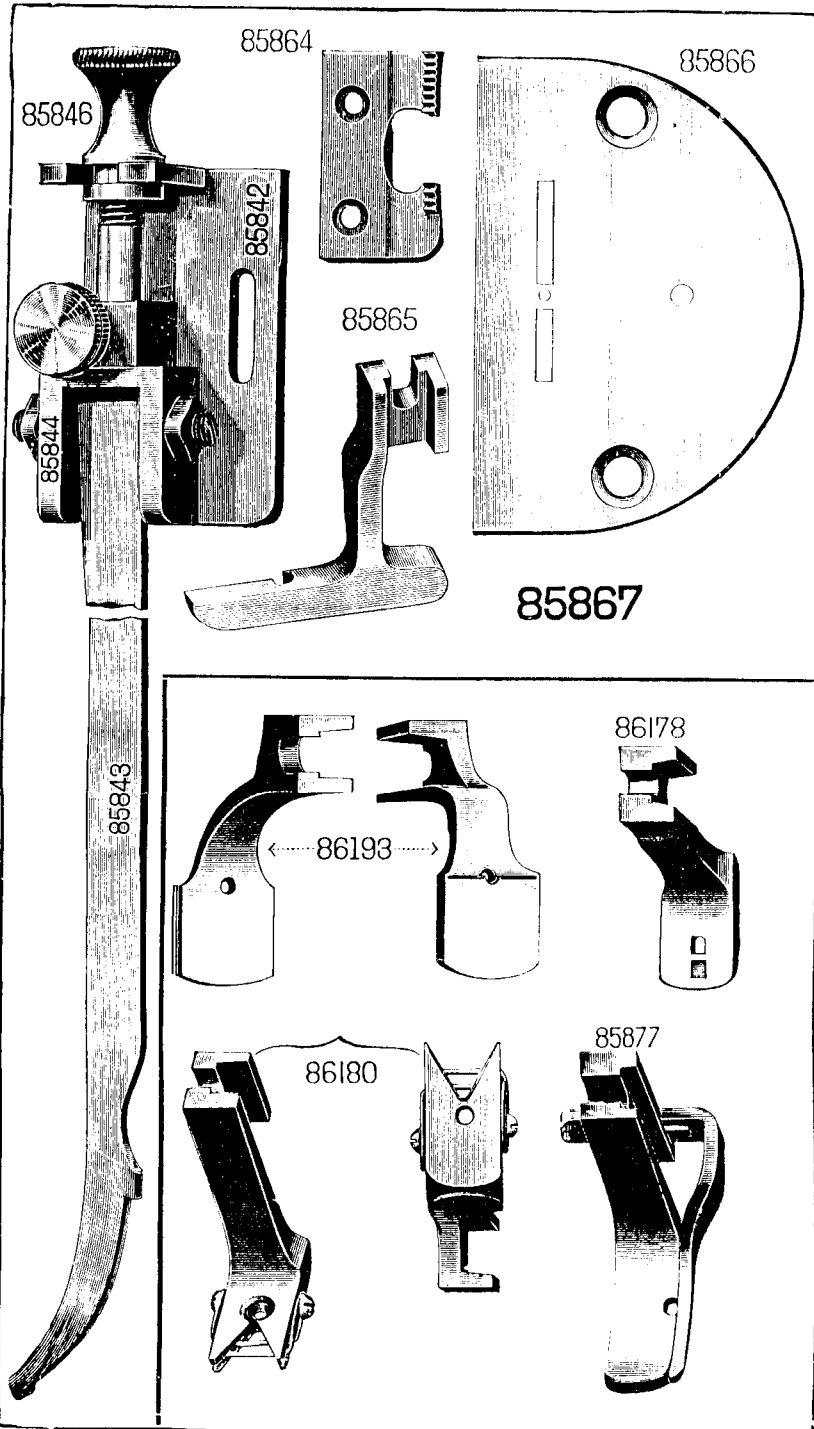
No. 96K60 Machine

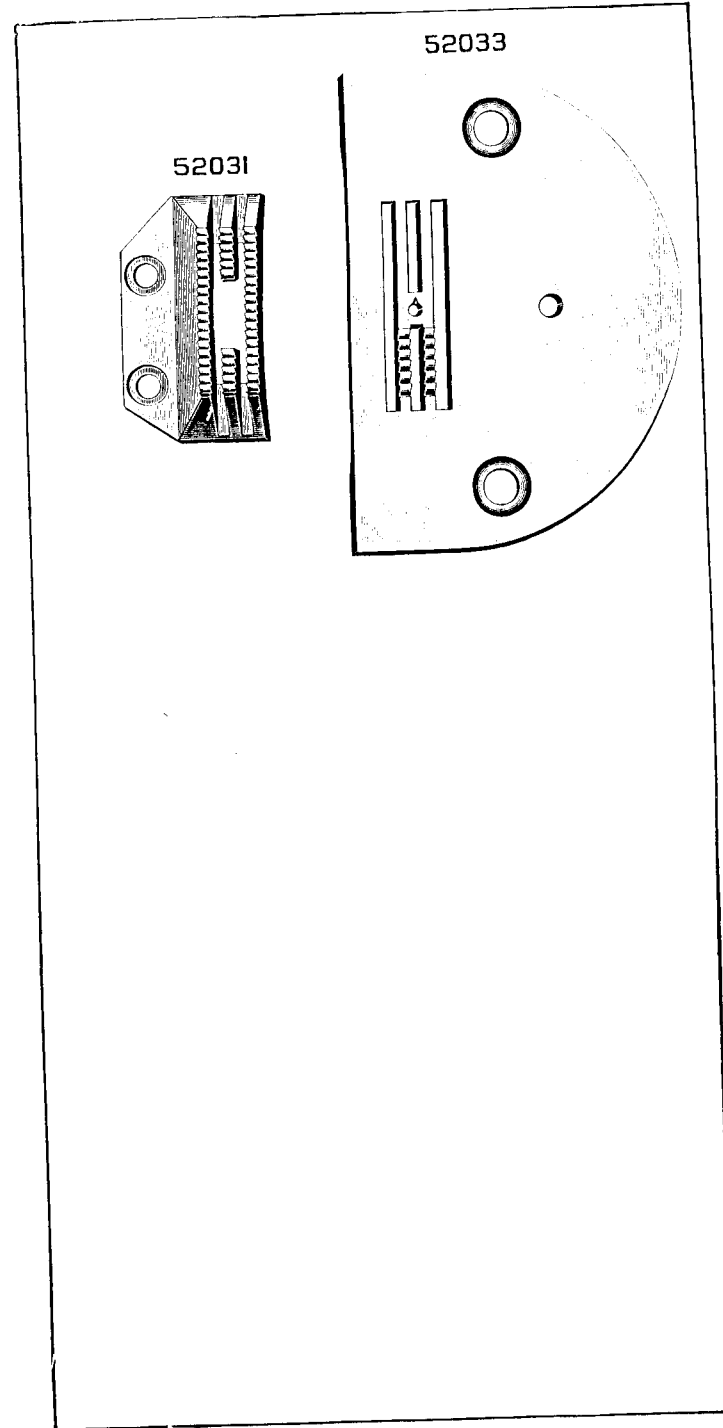
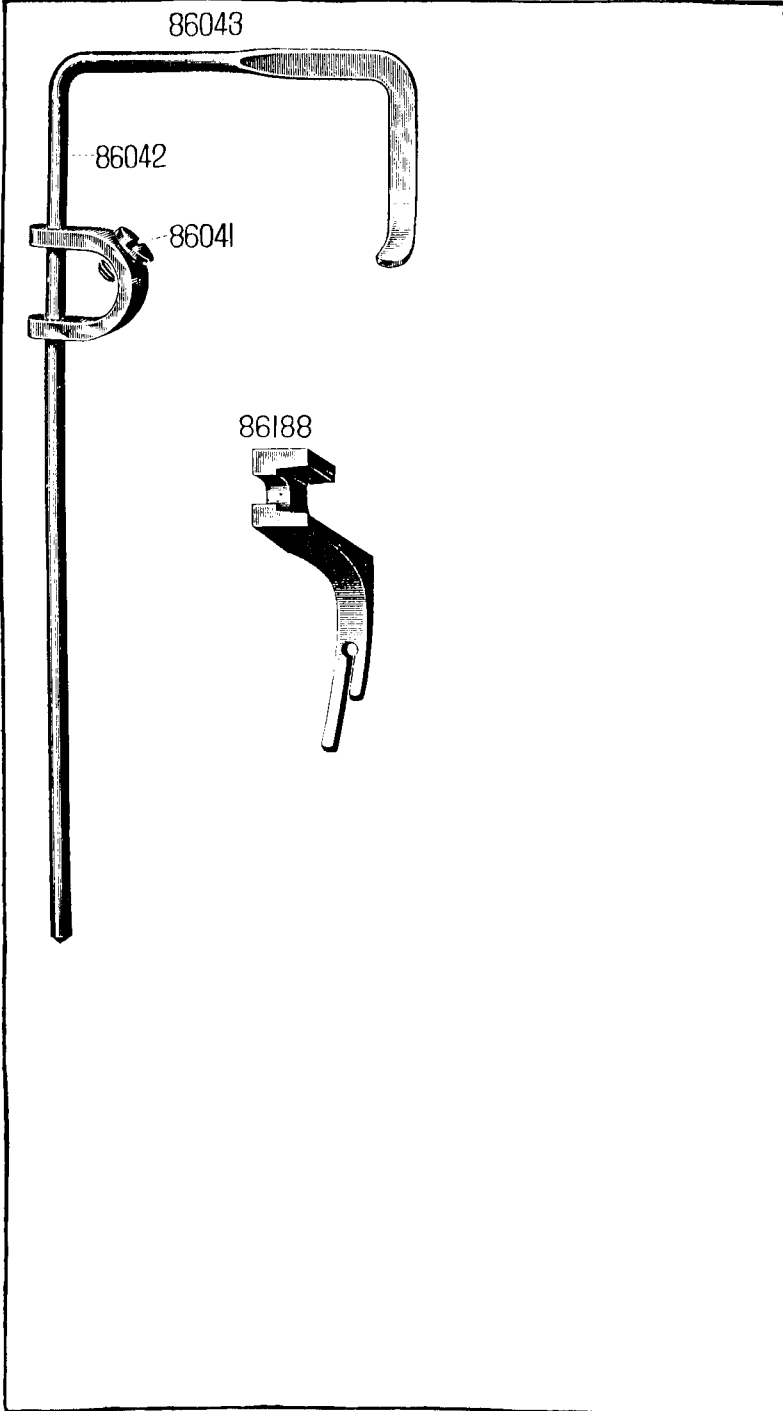


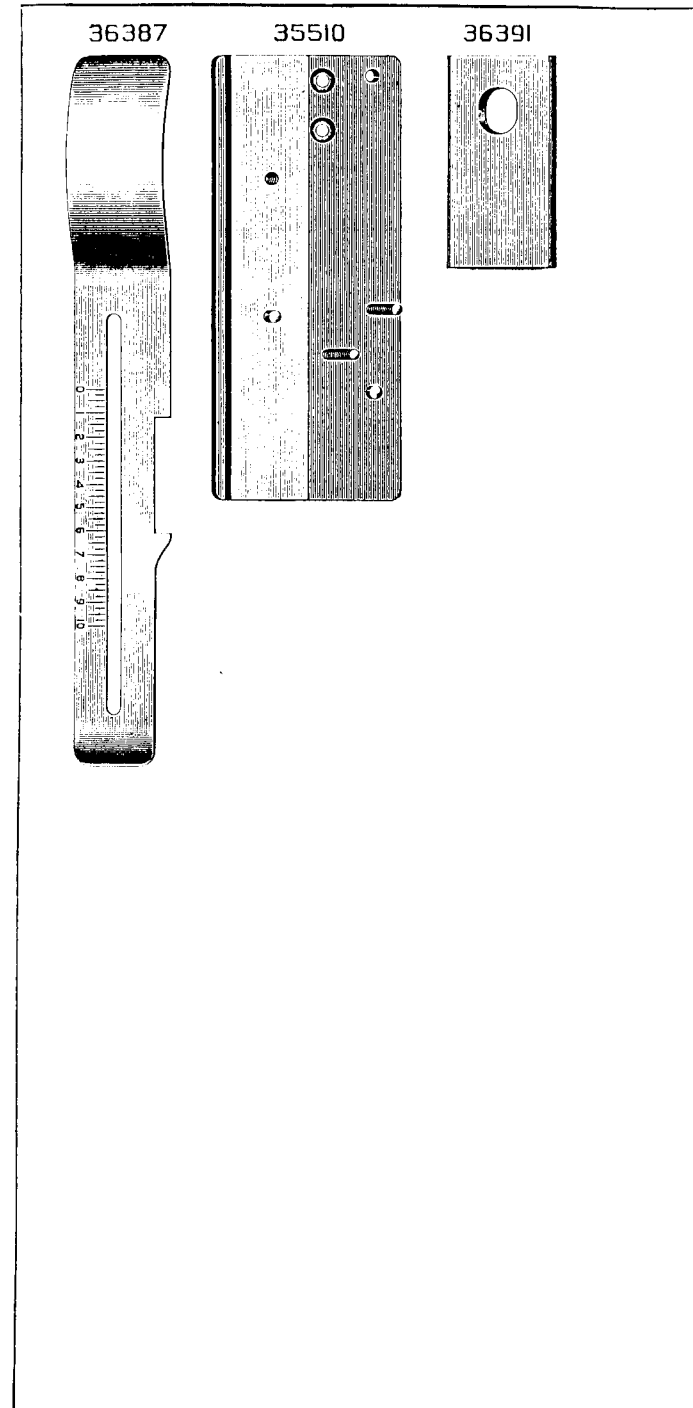
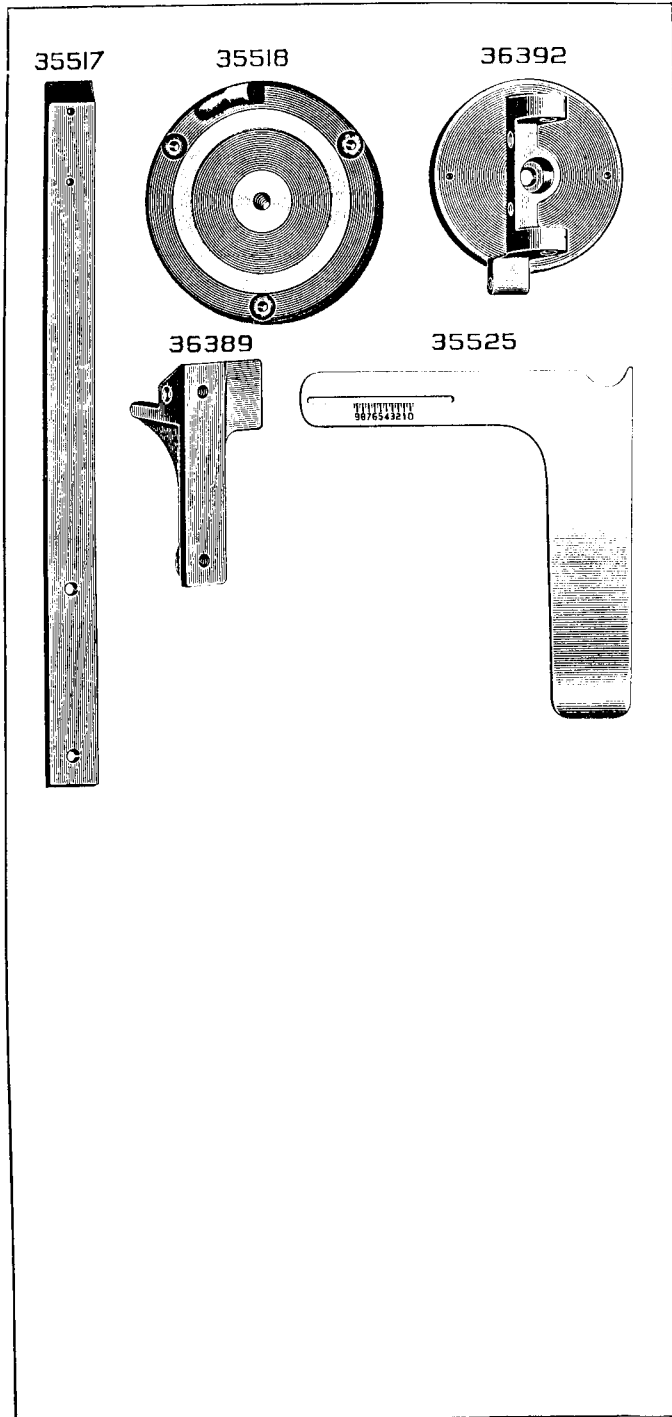


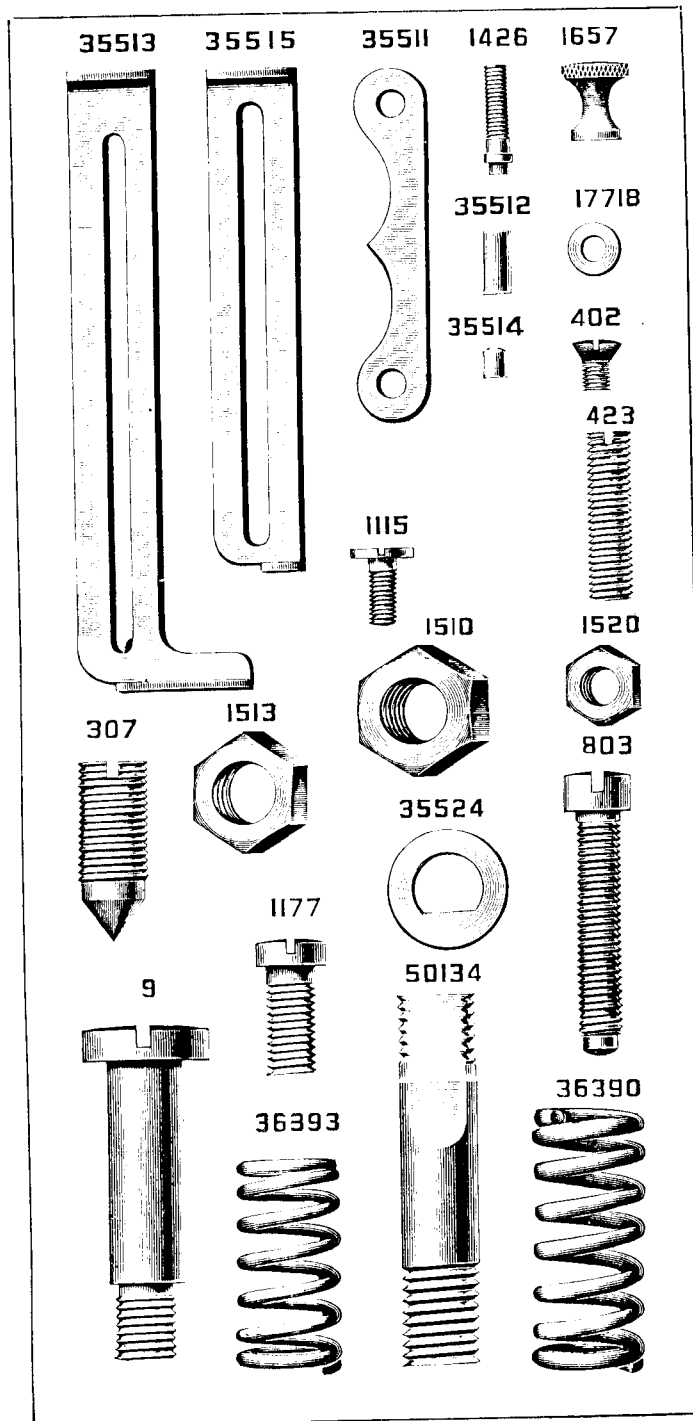
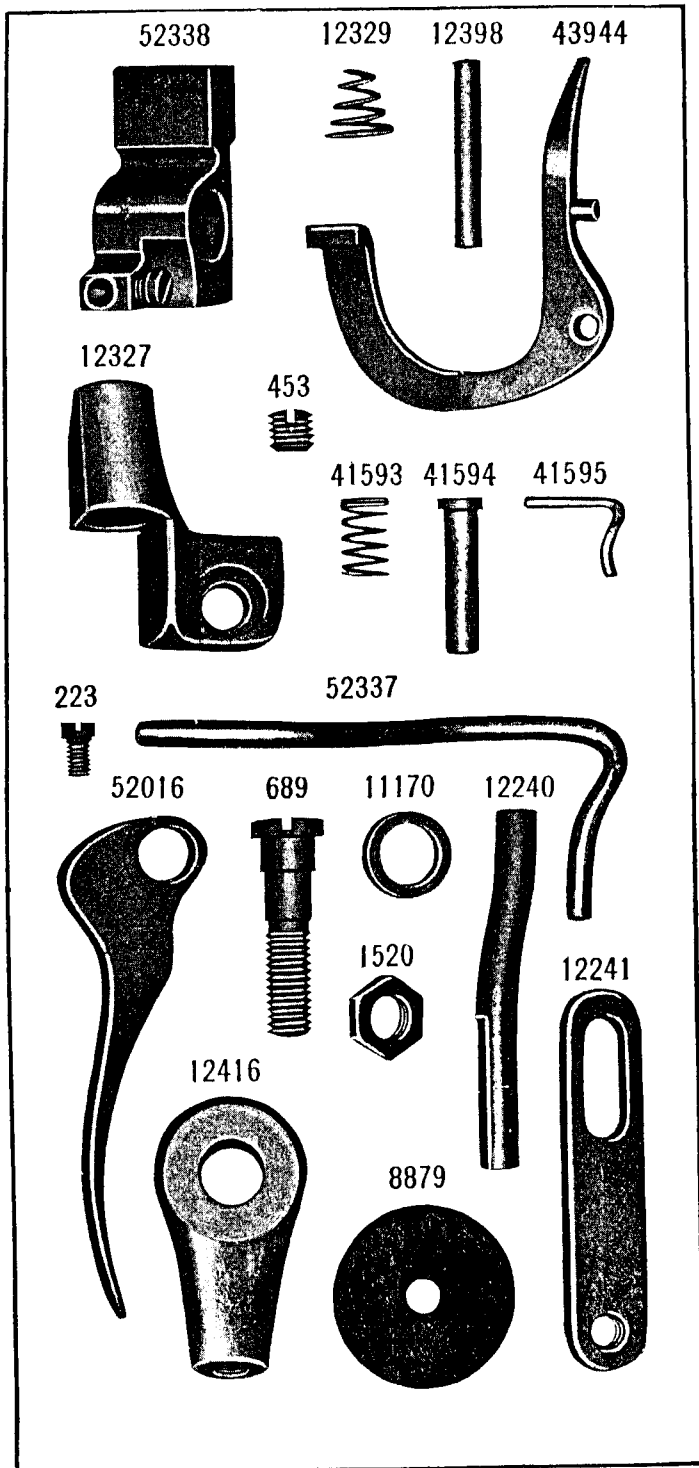


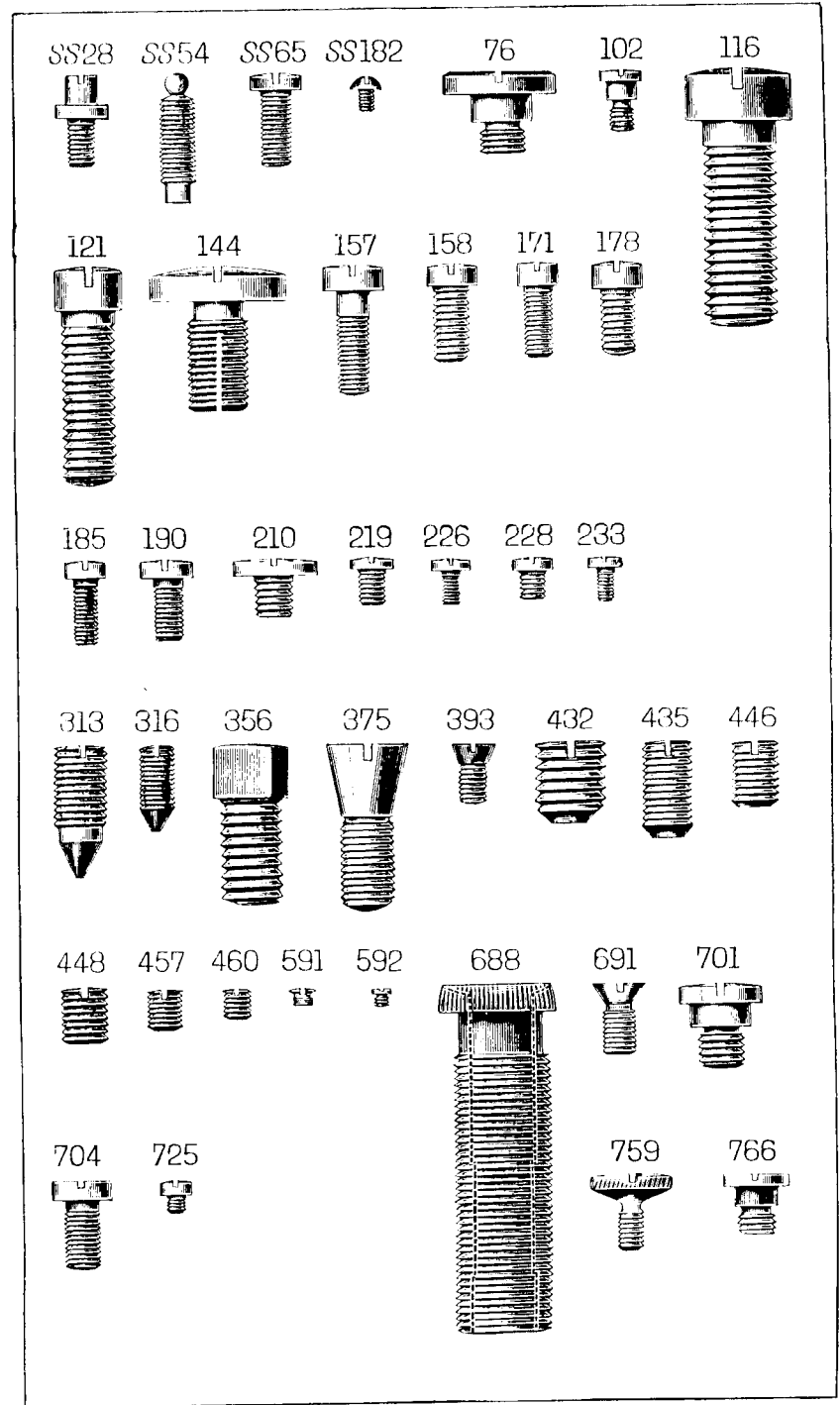
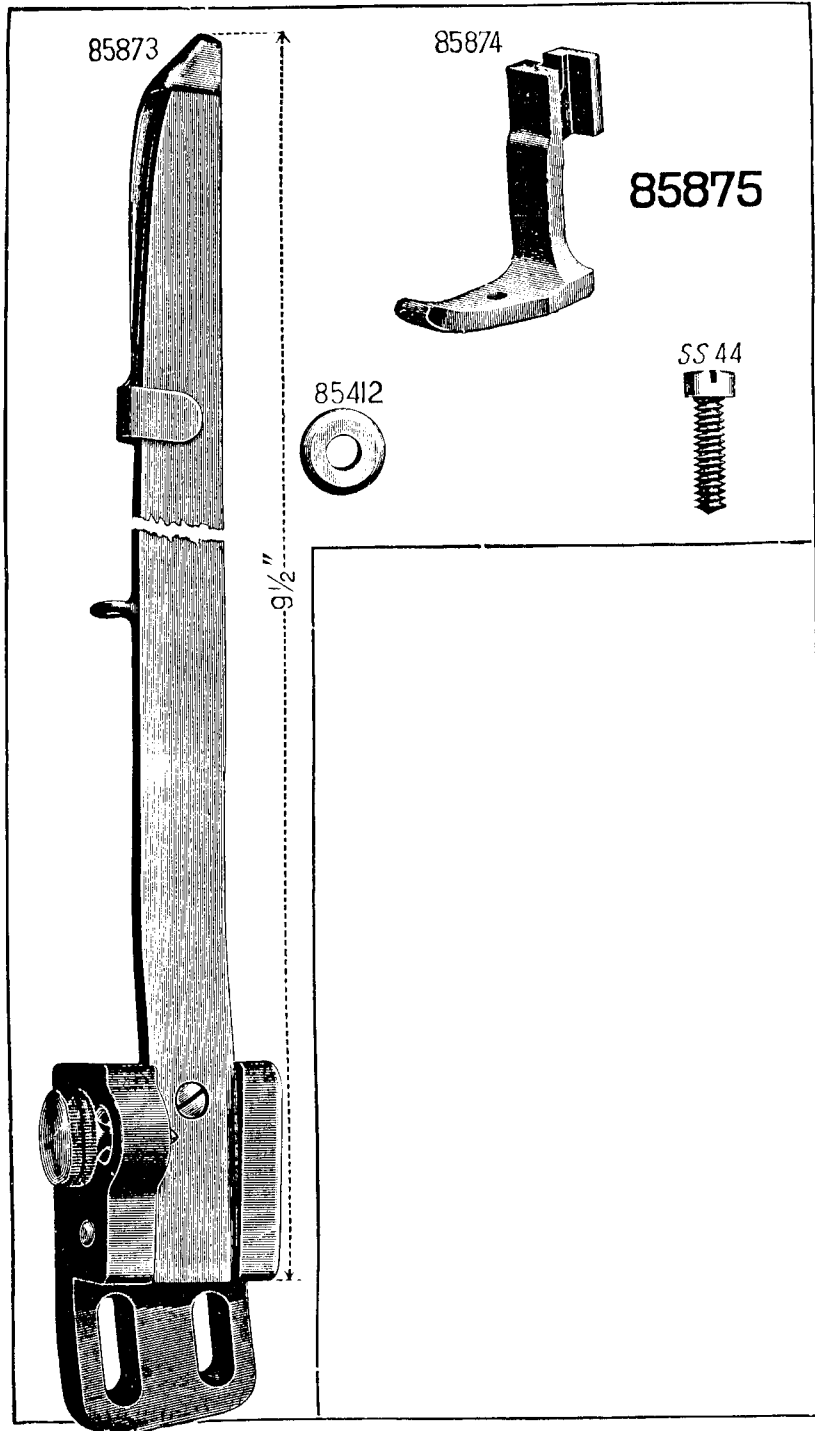


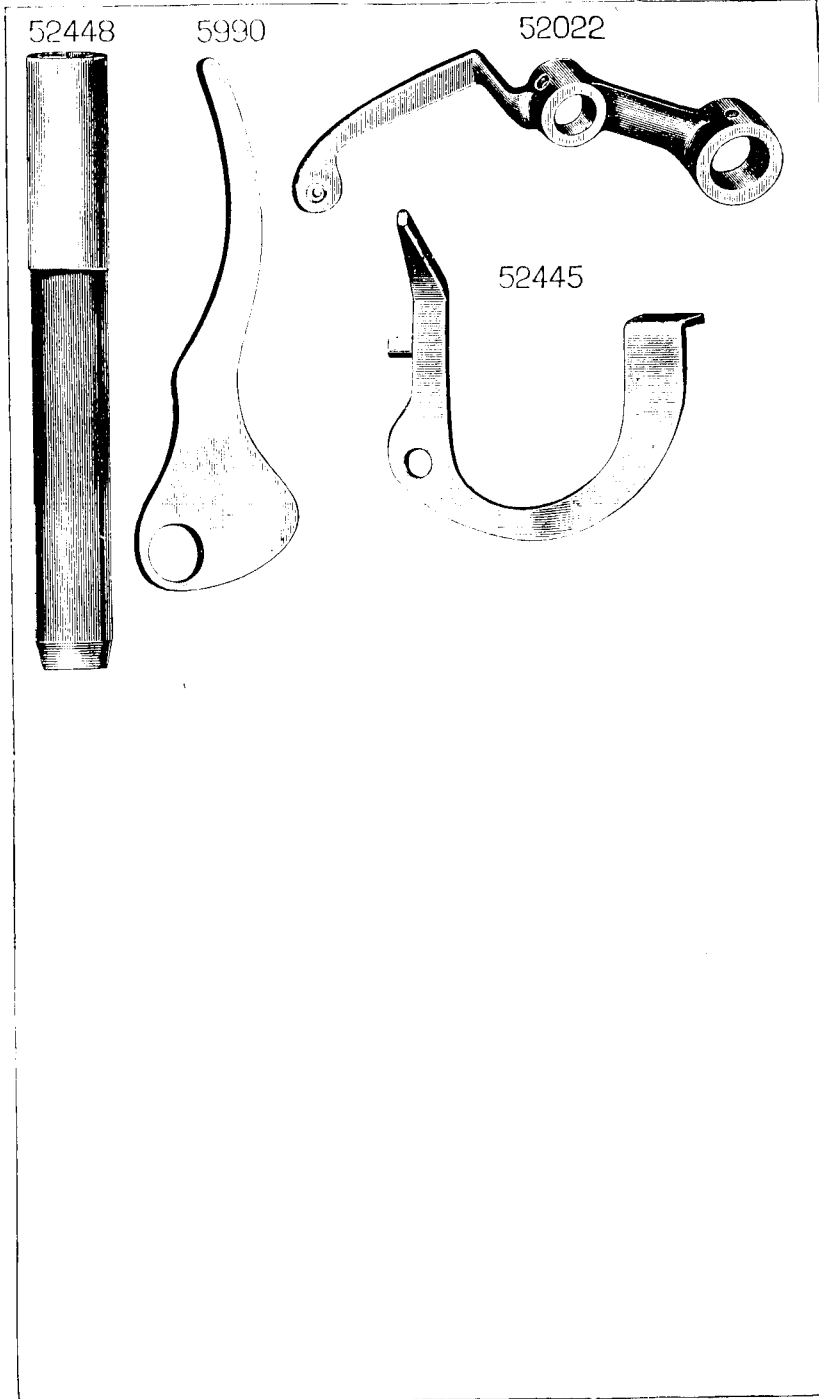
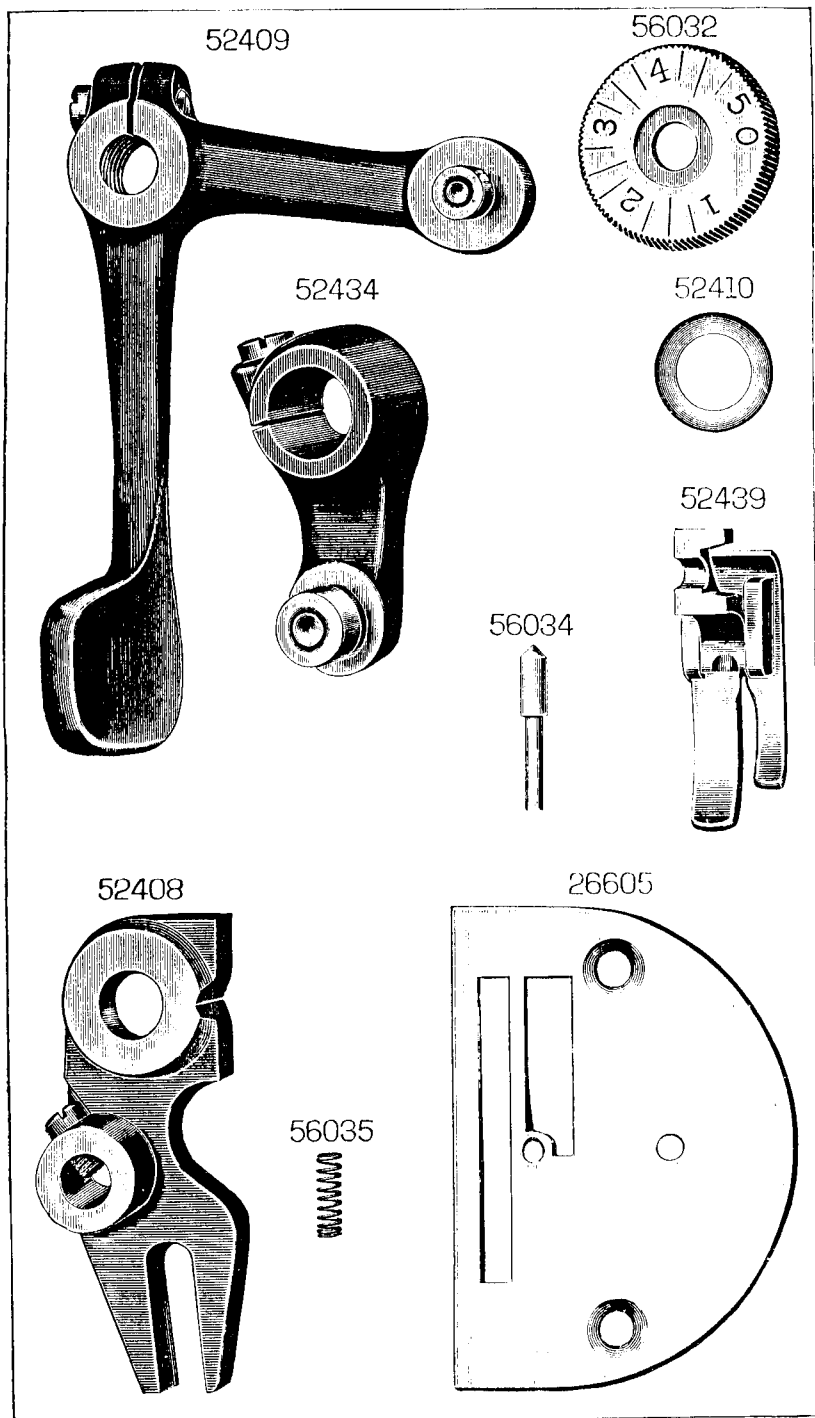


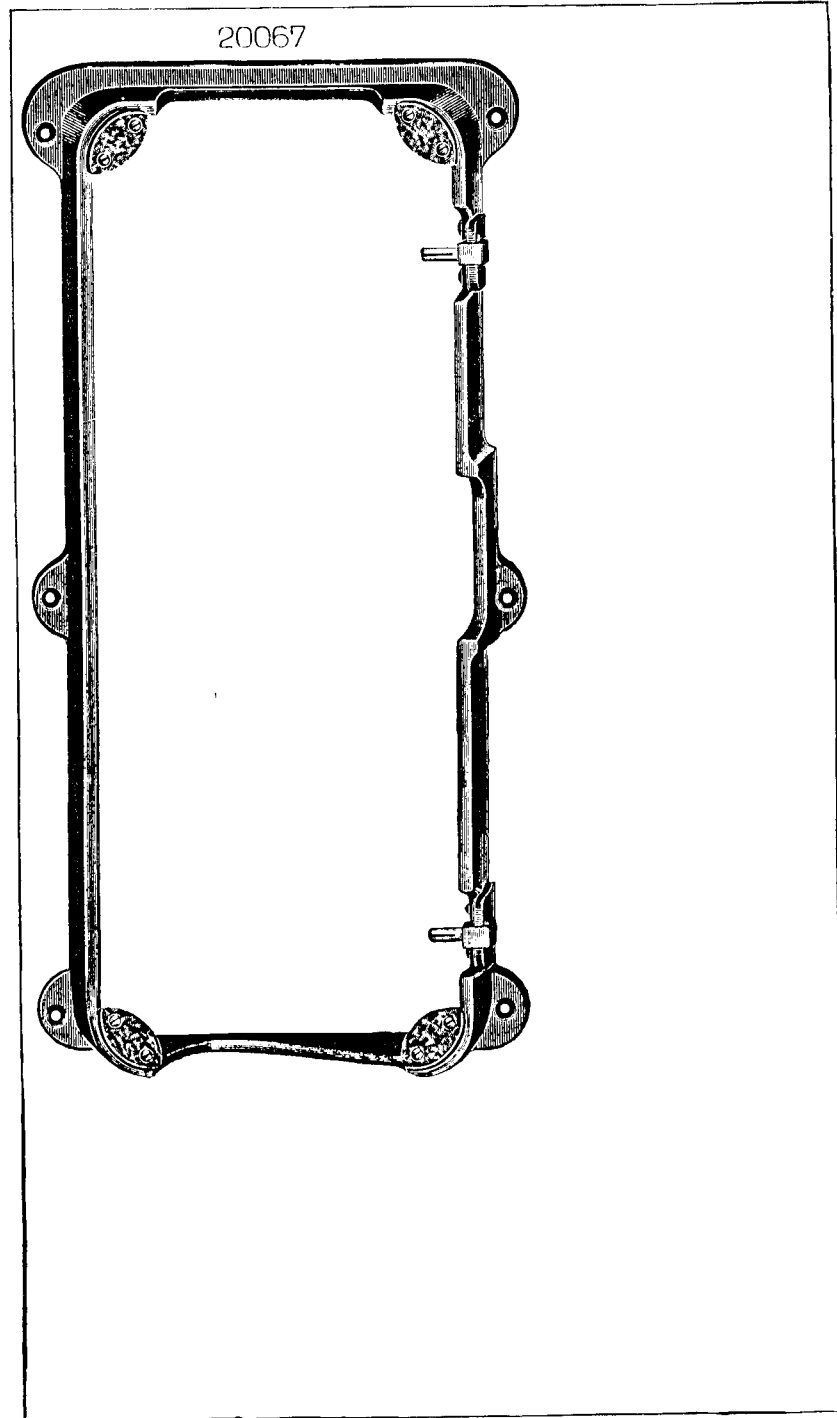
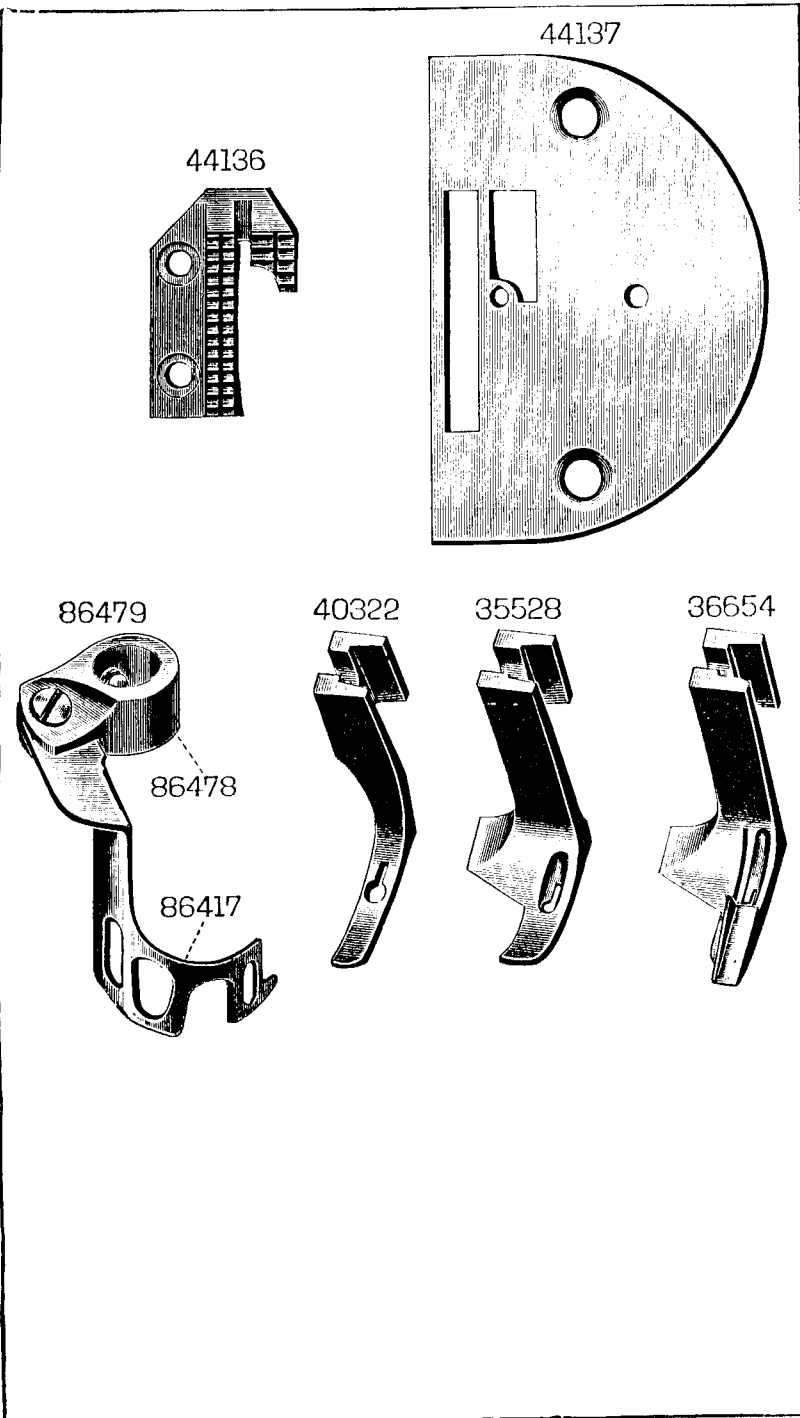




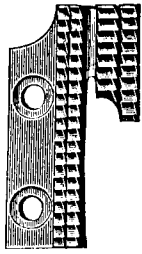




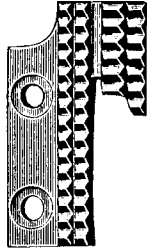




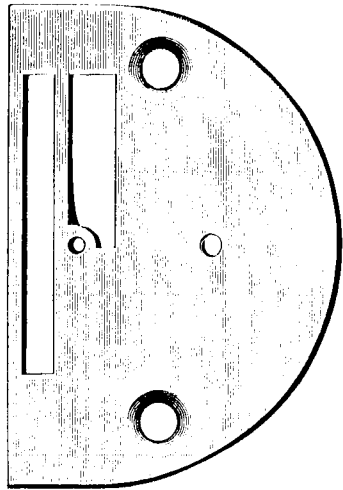
26603



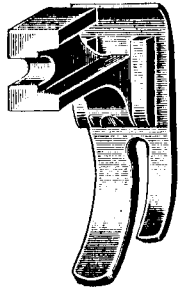
28360



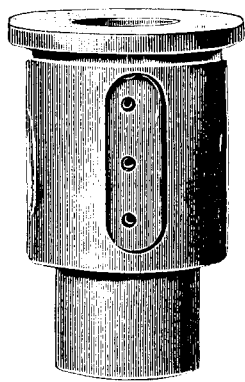
20356



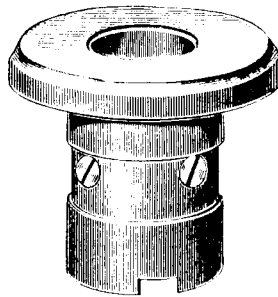
52427



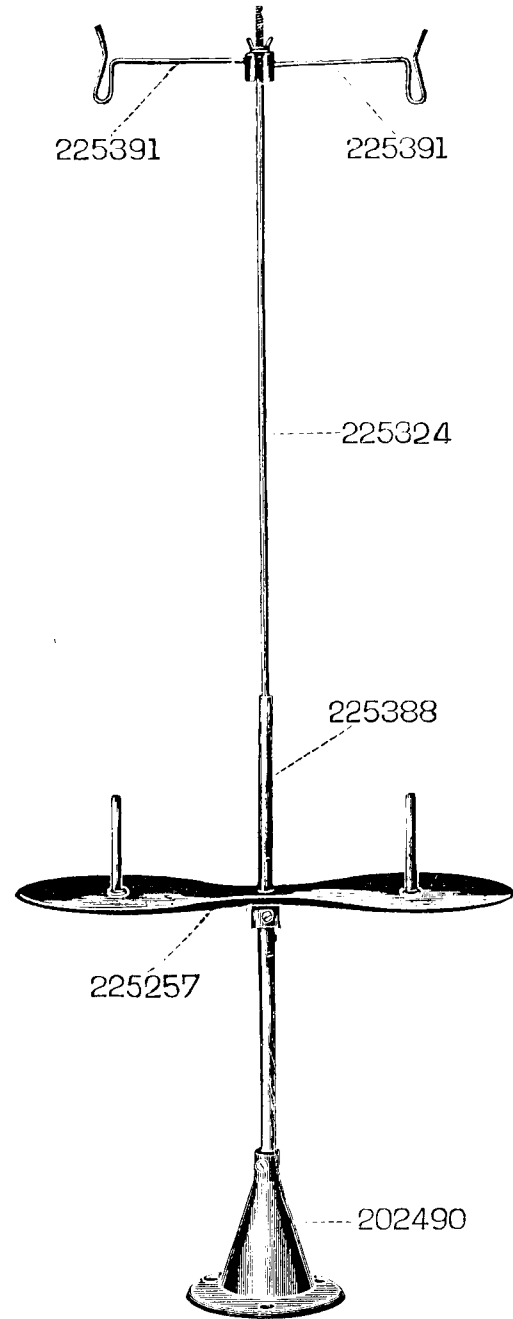
52401



52404



225258



225391

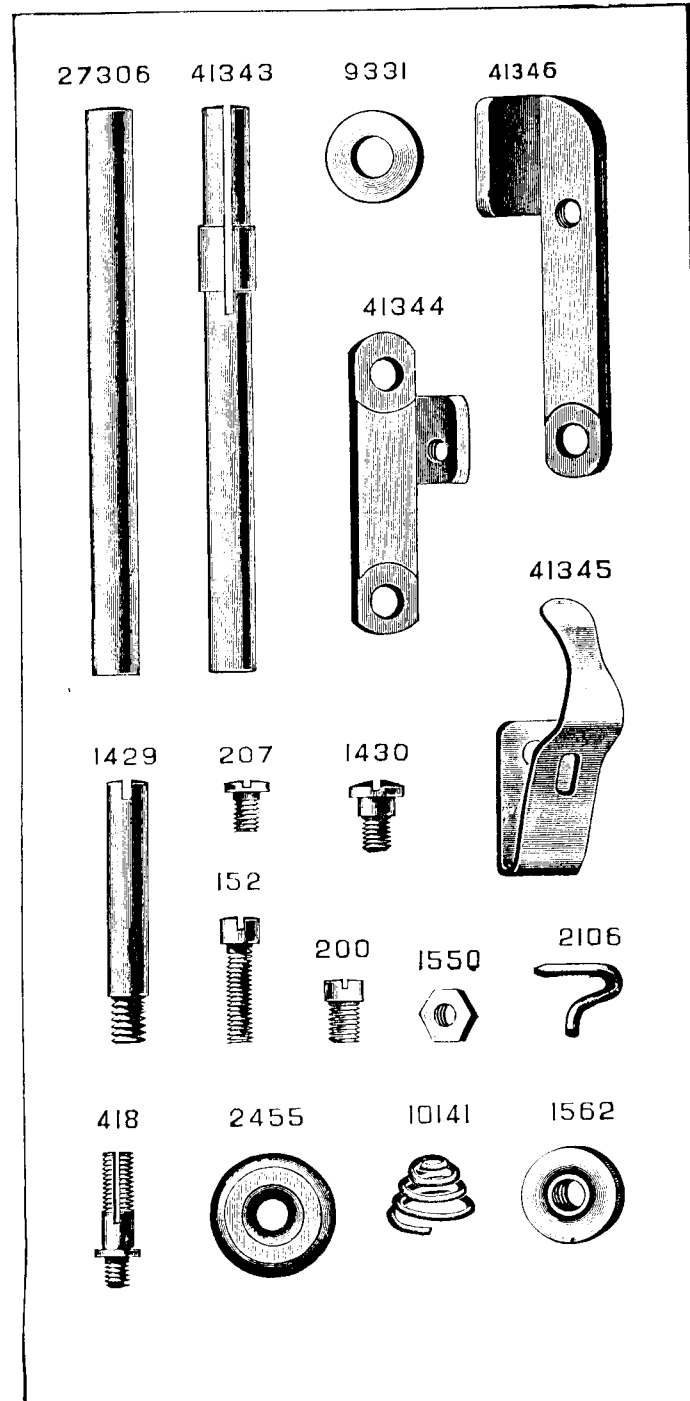
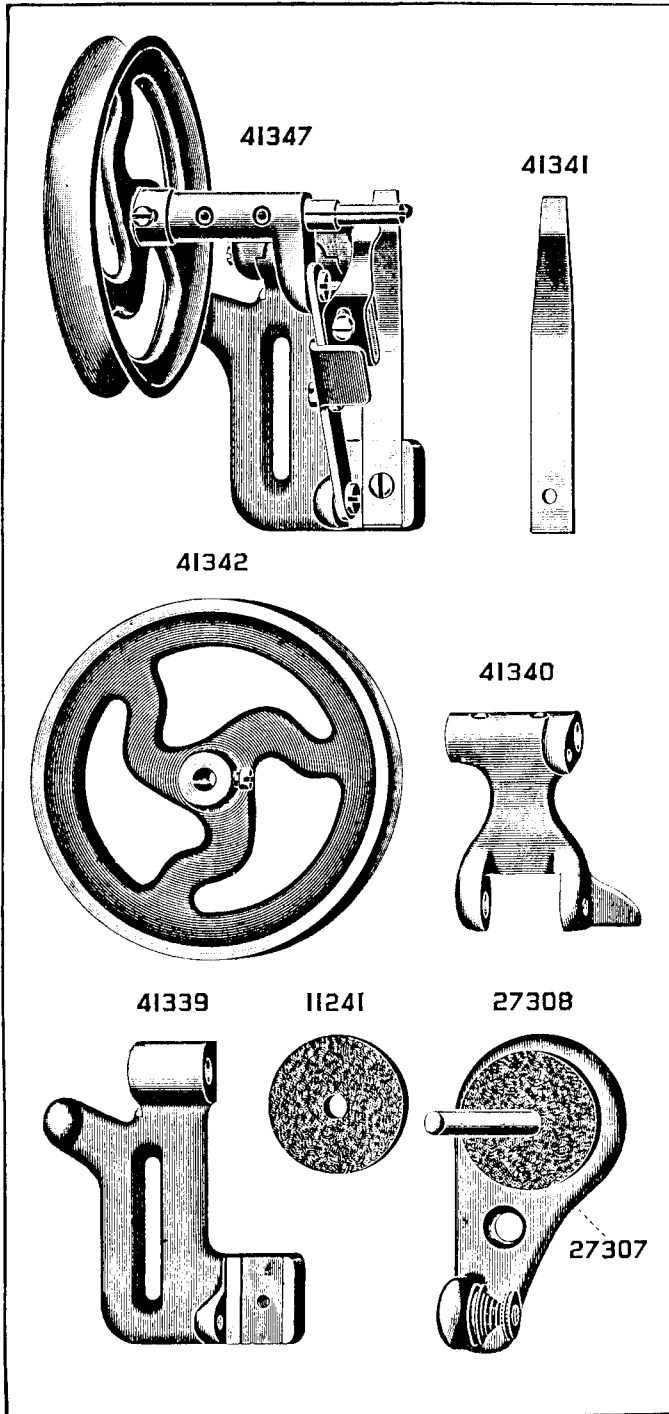
225391

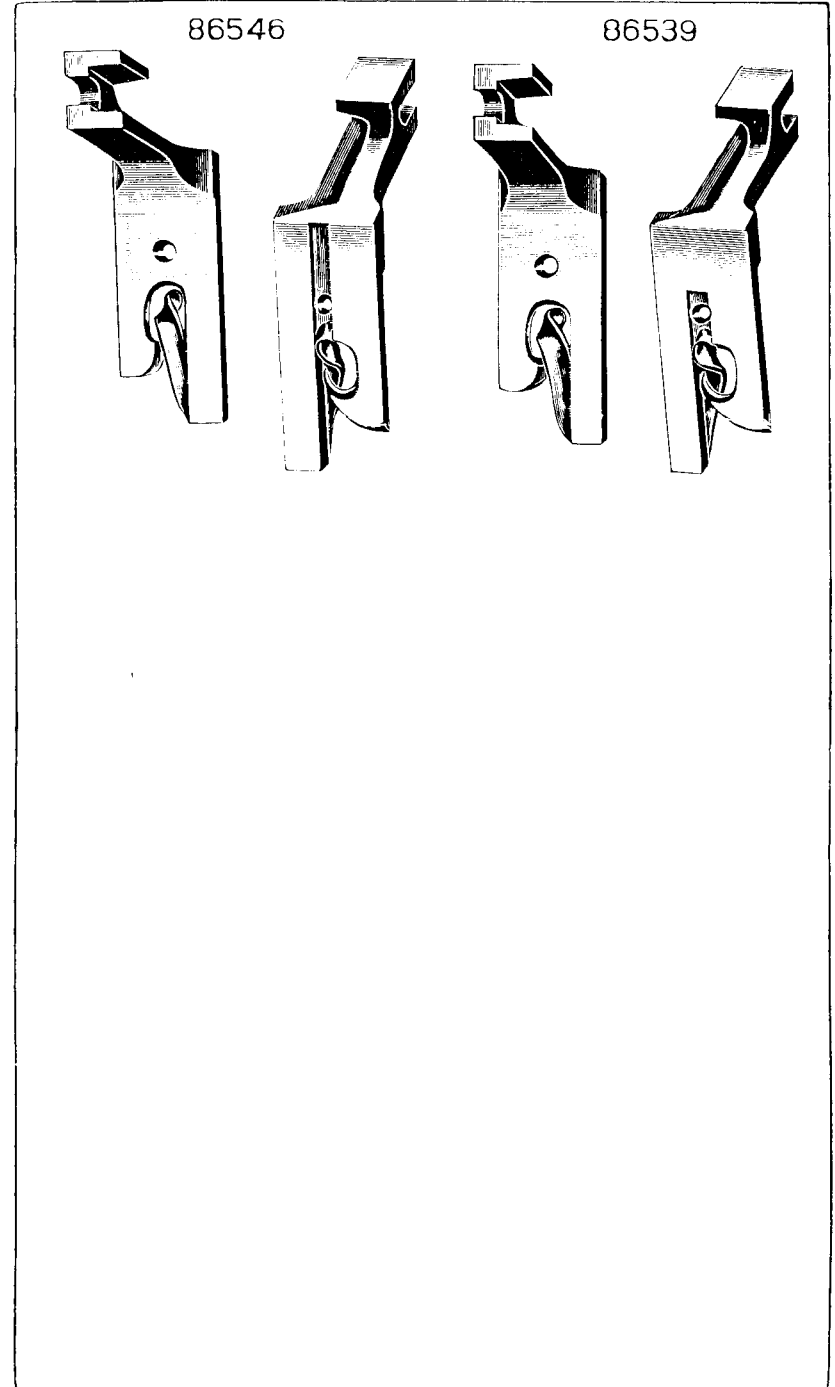
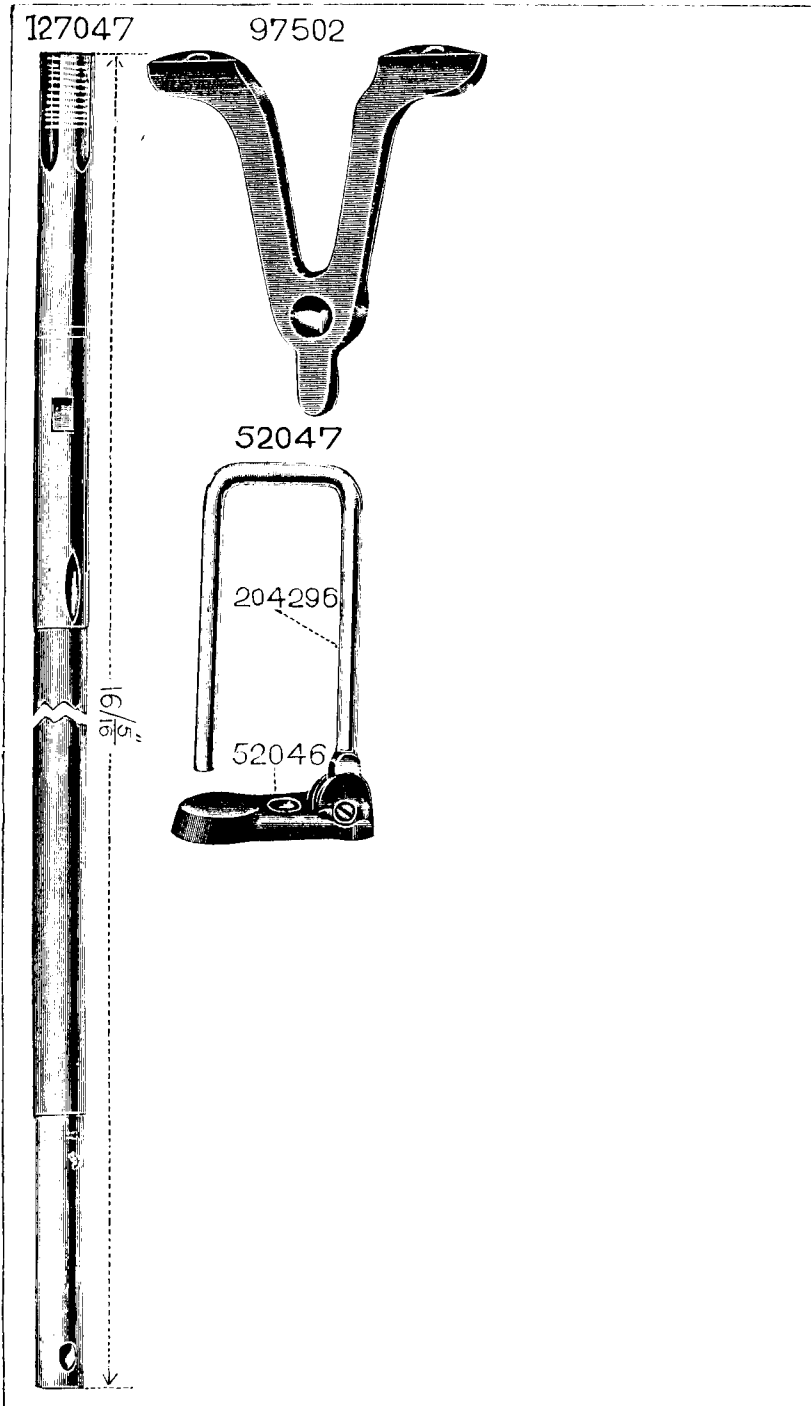
225324

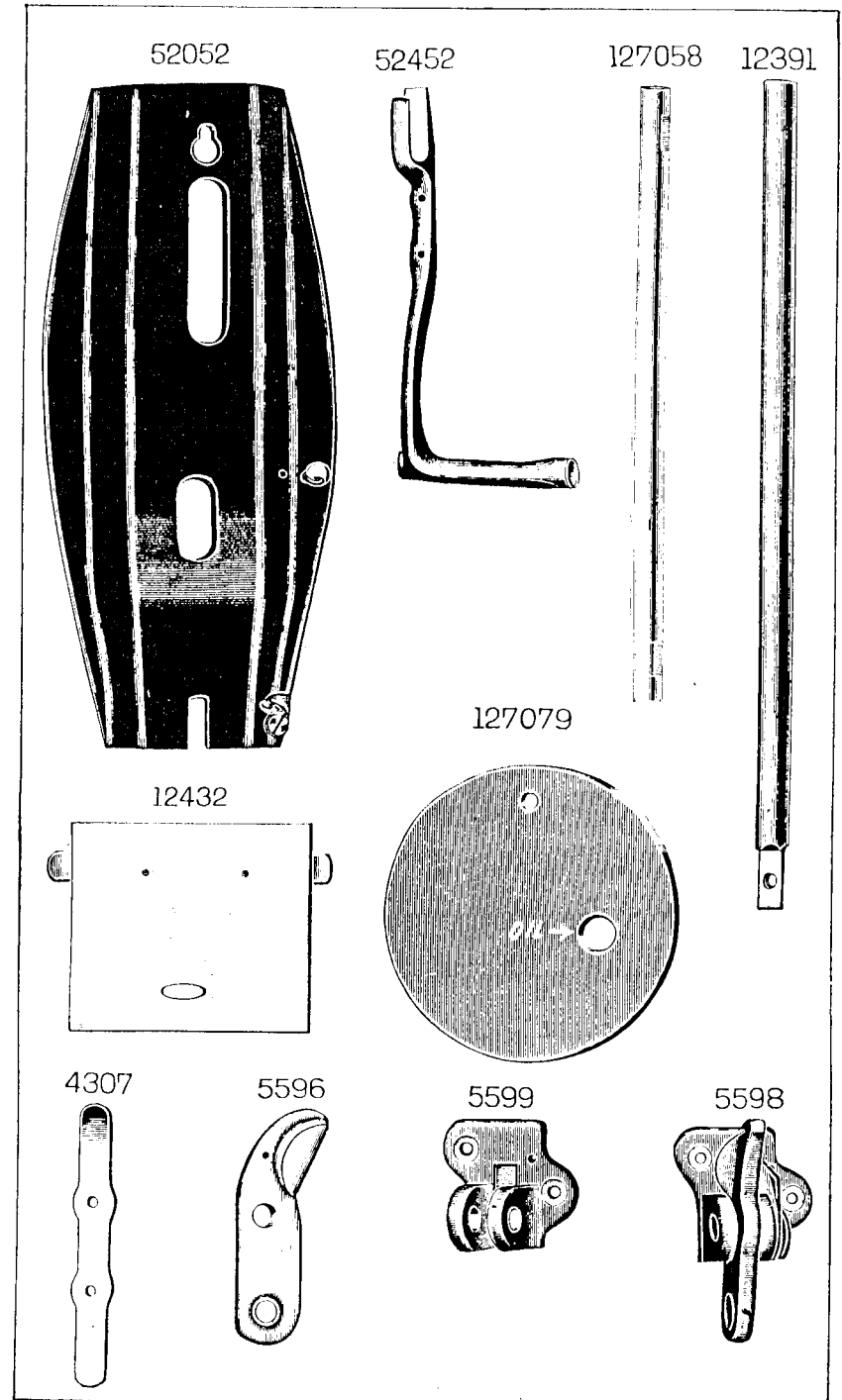
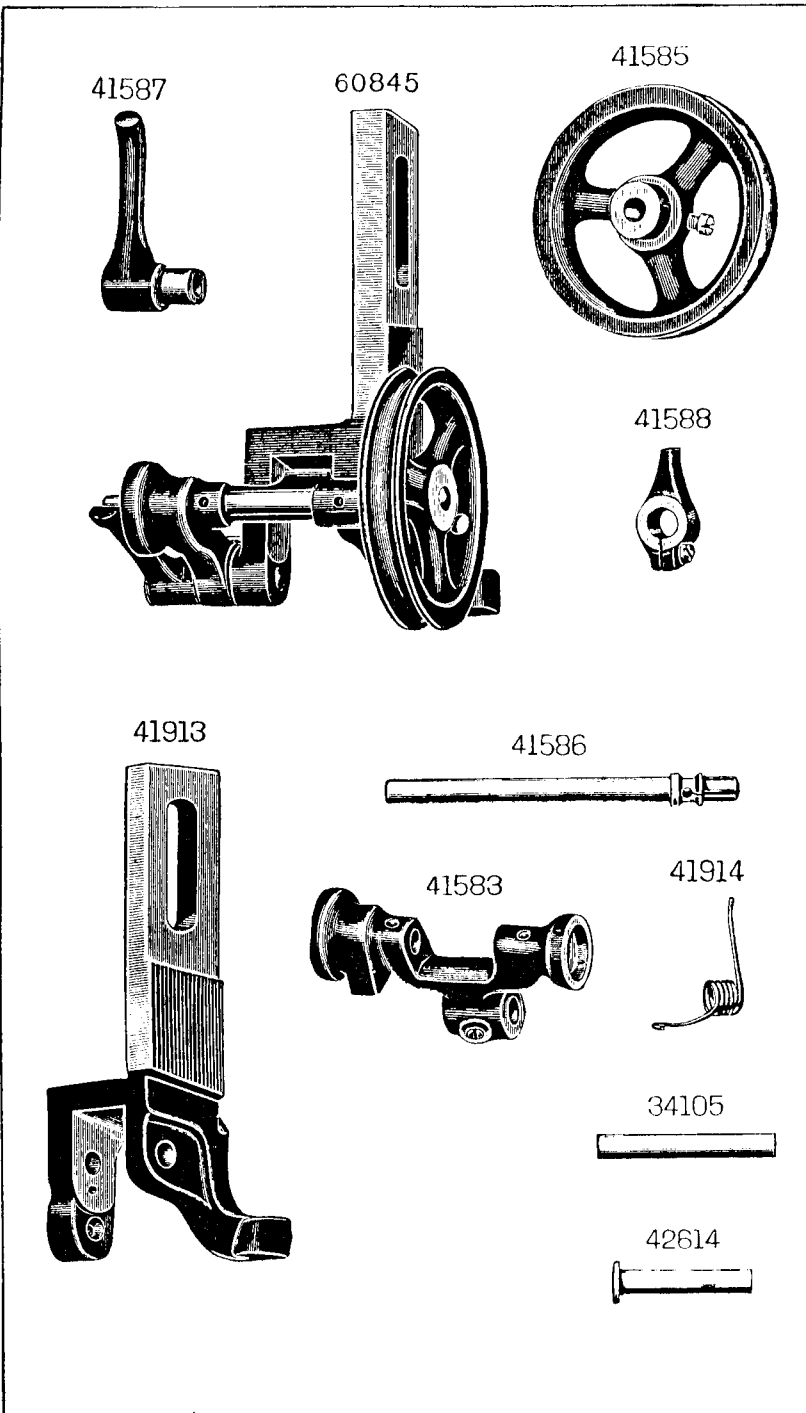
225388

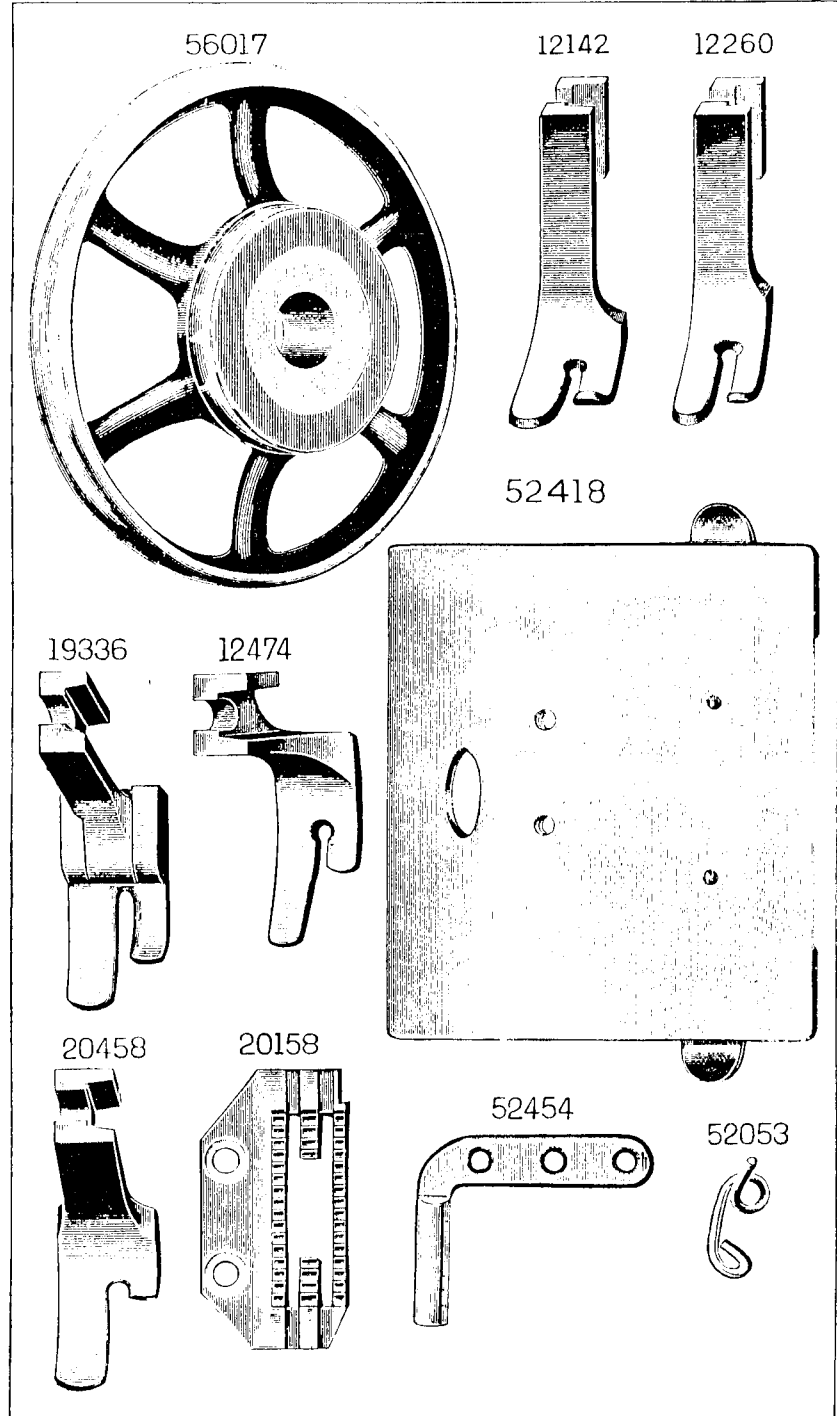
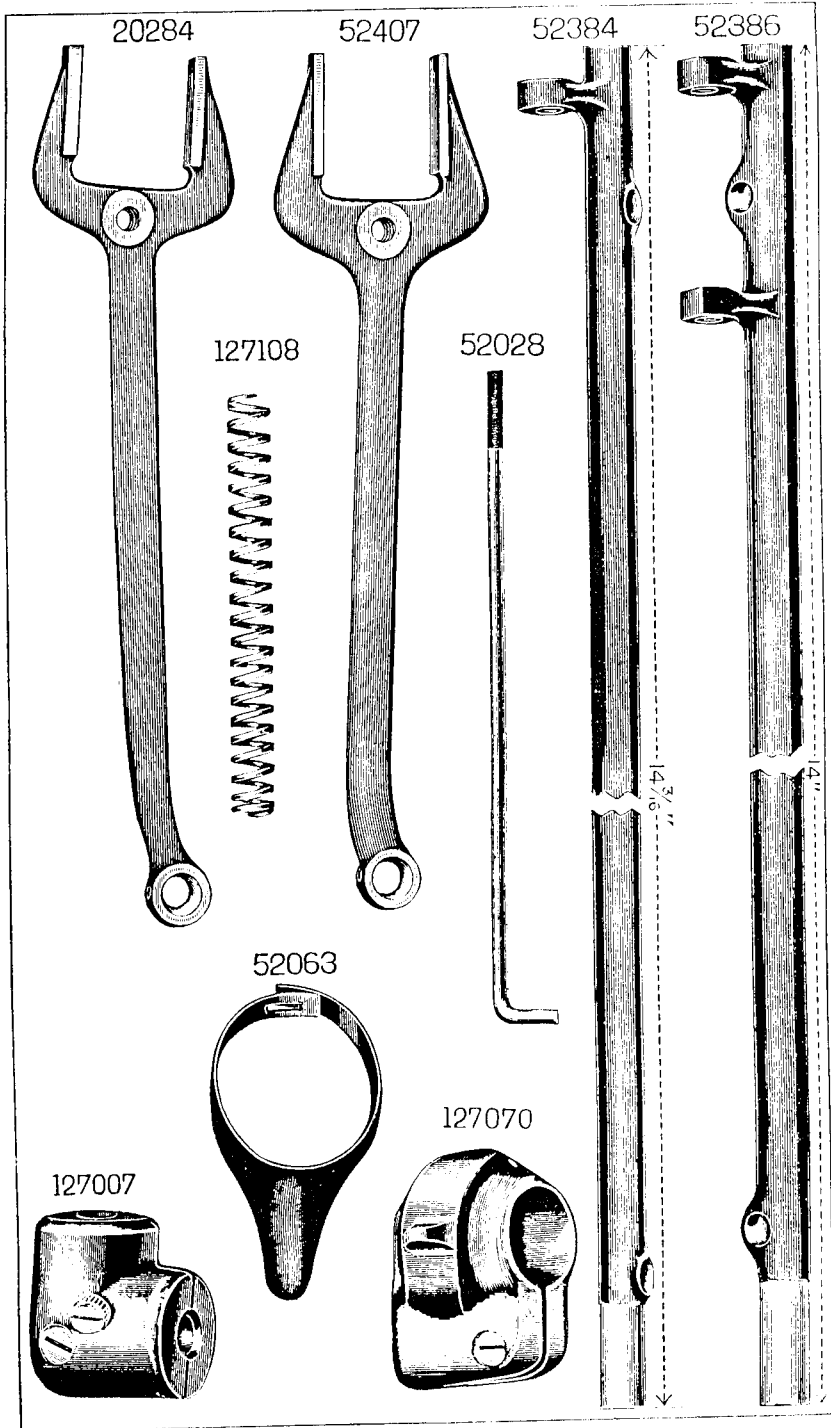
225257

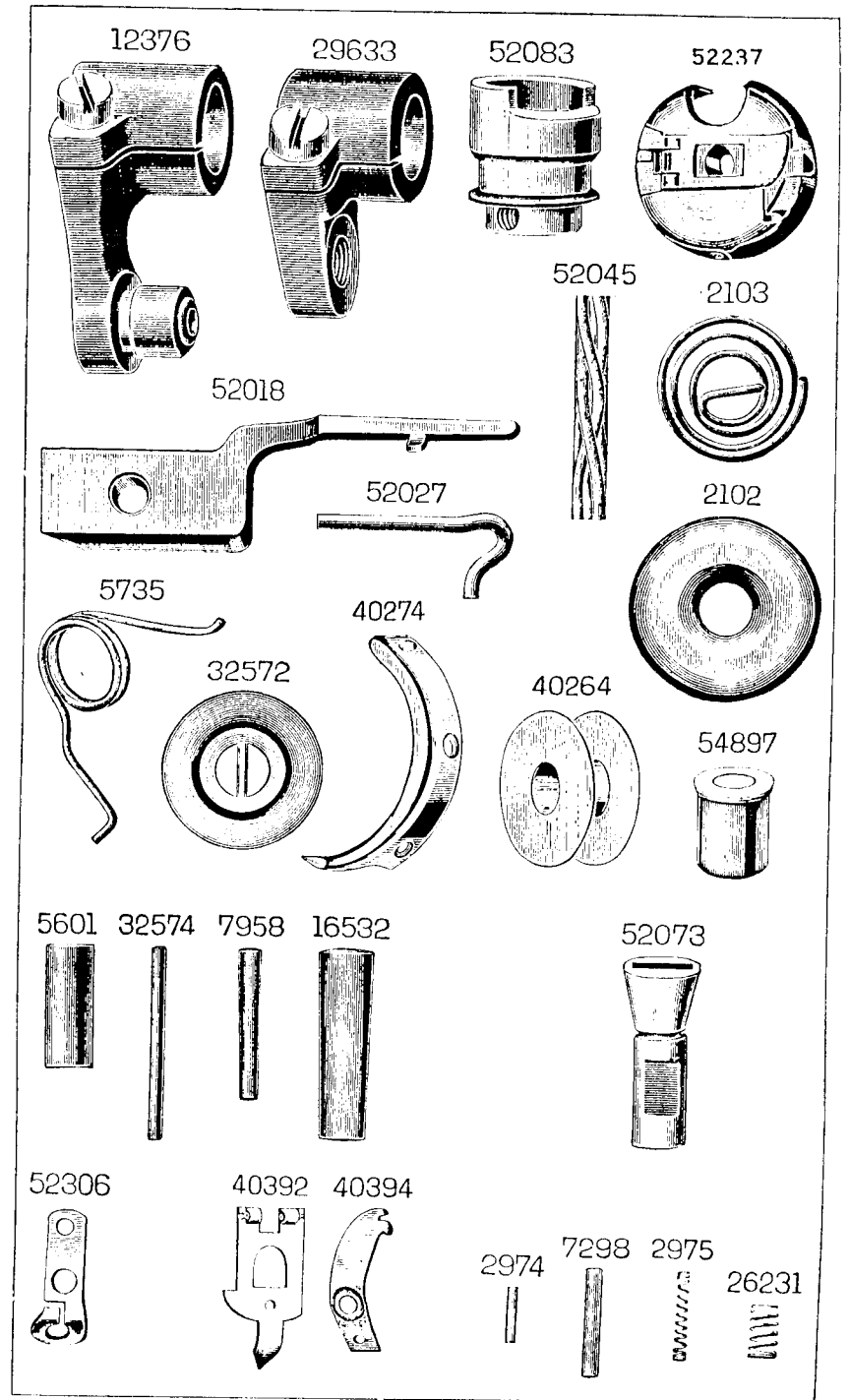
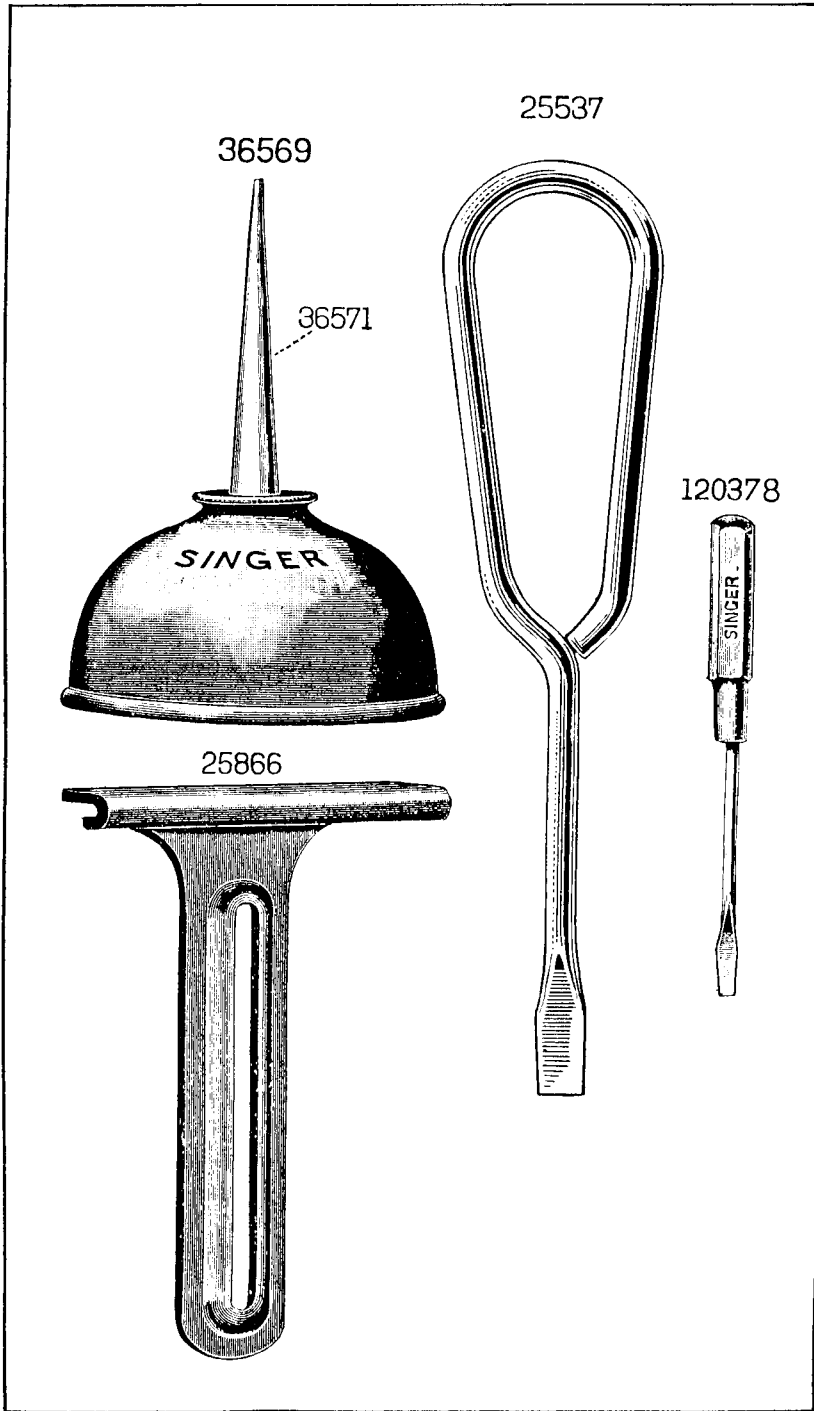
202490

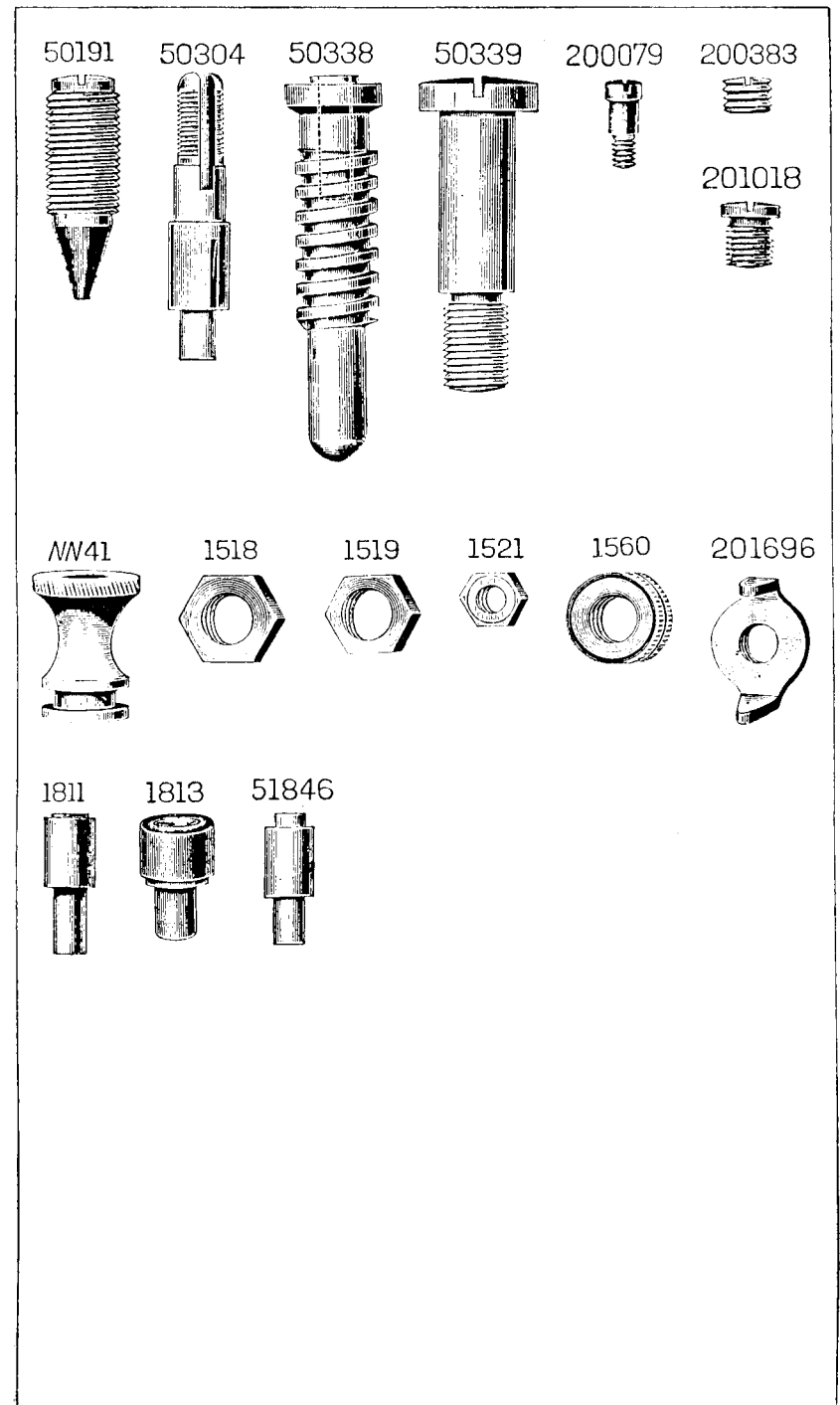
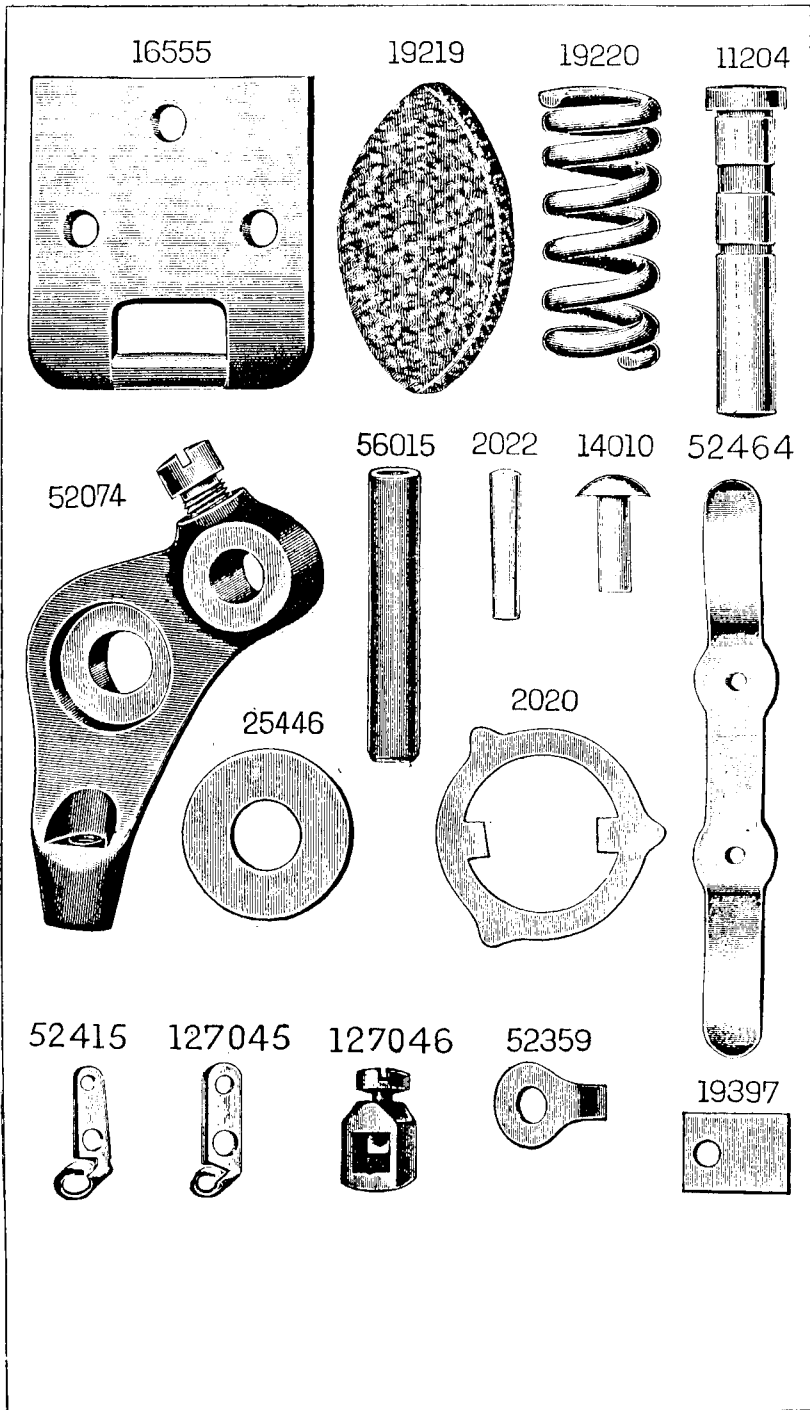


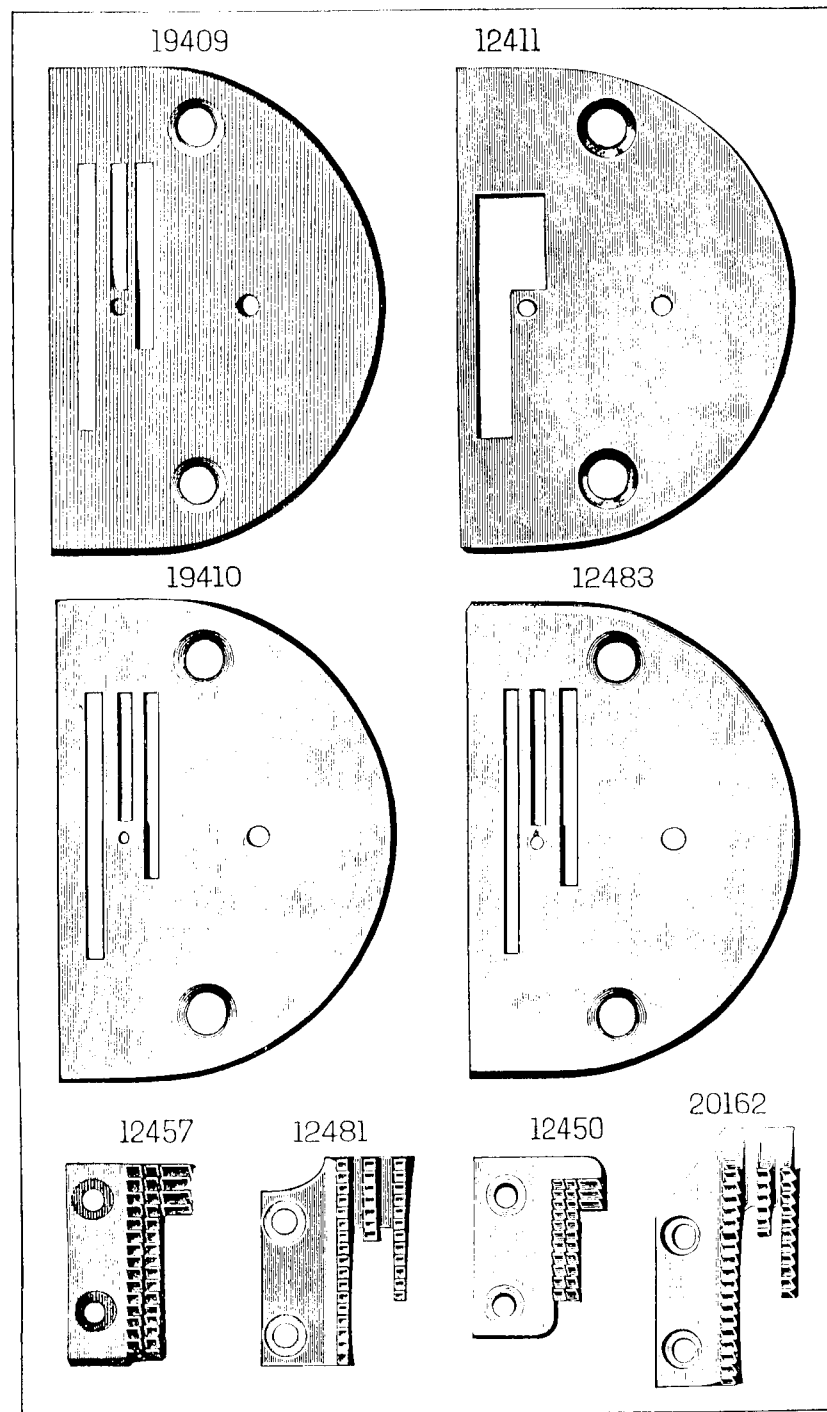
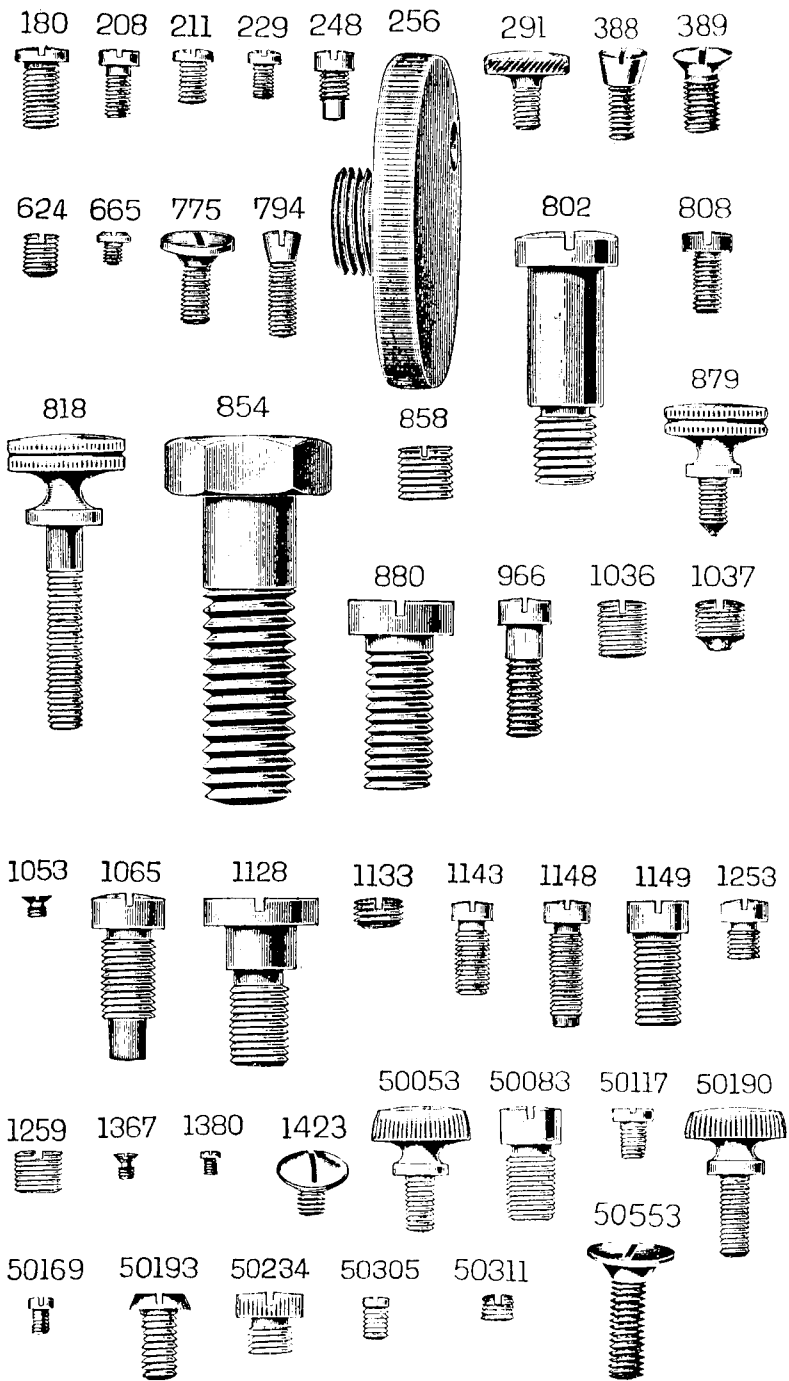


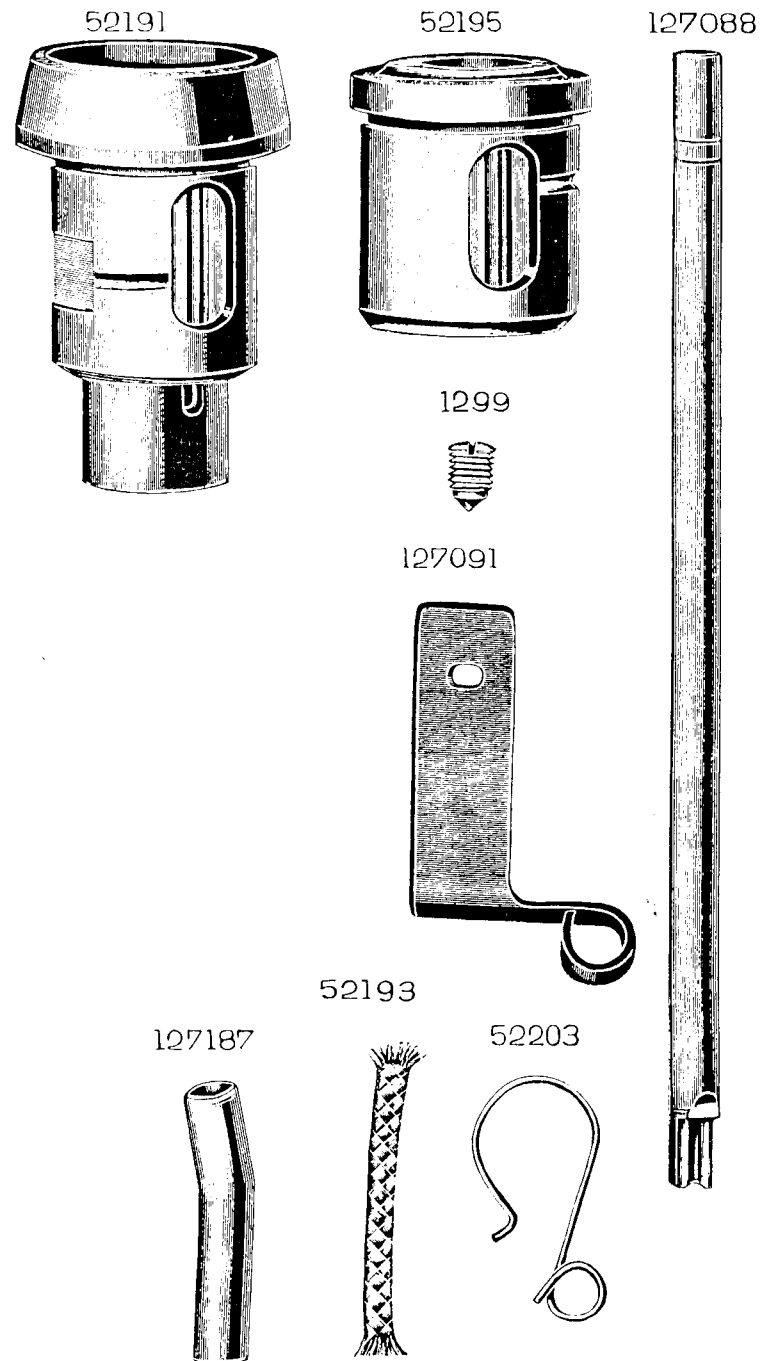
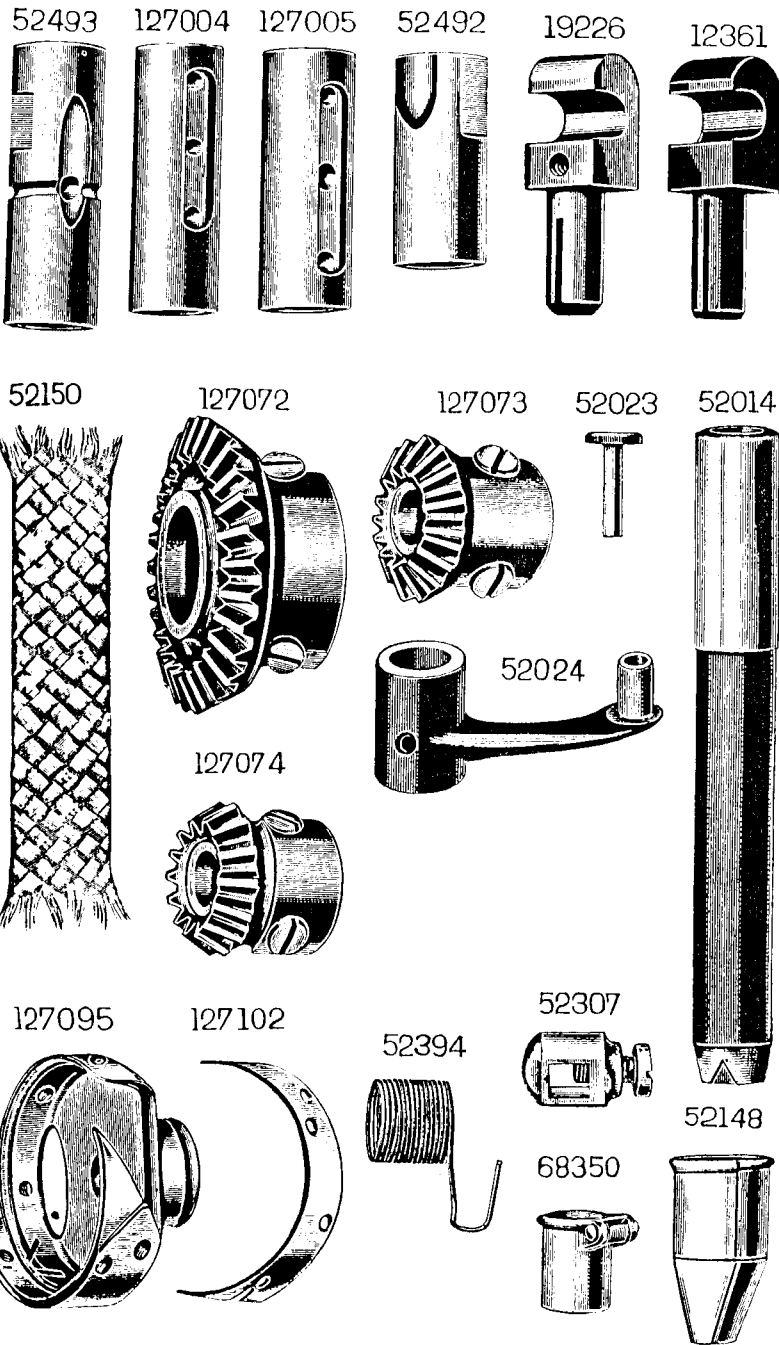


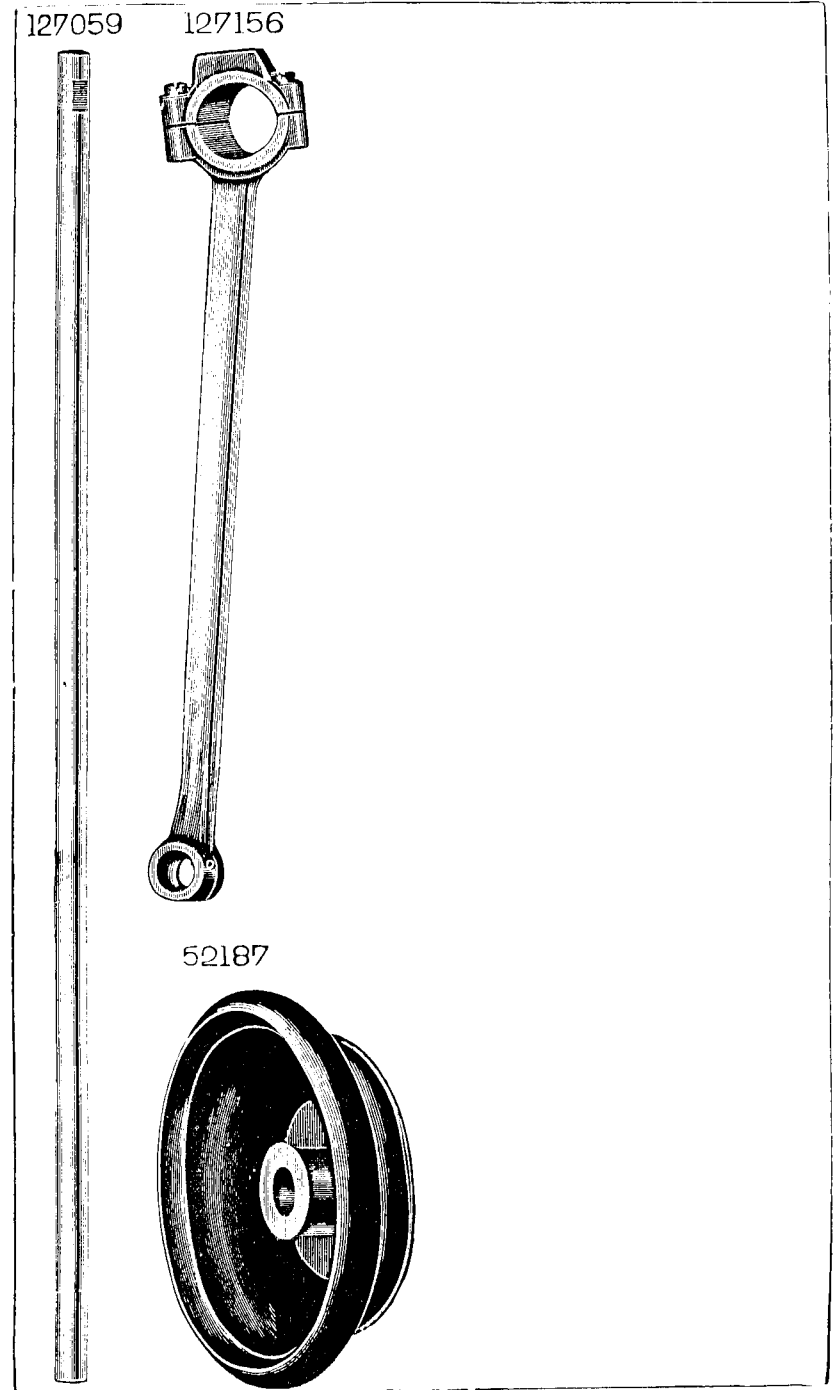
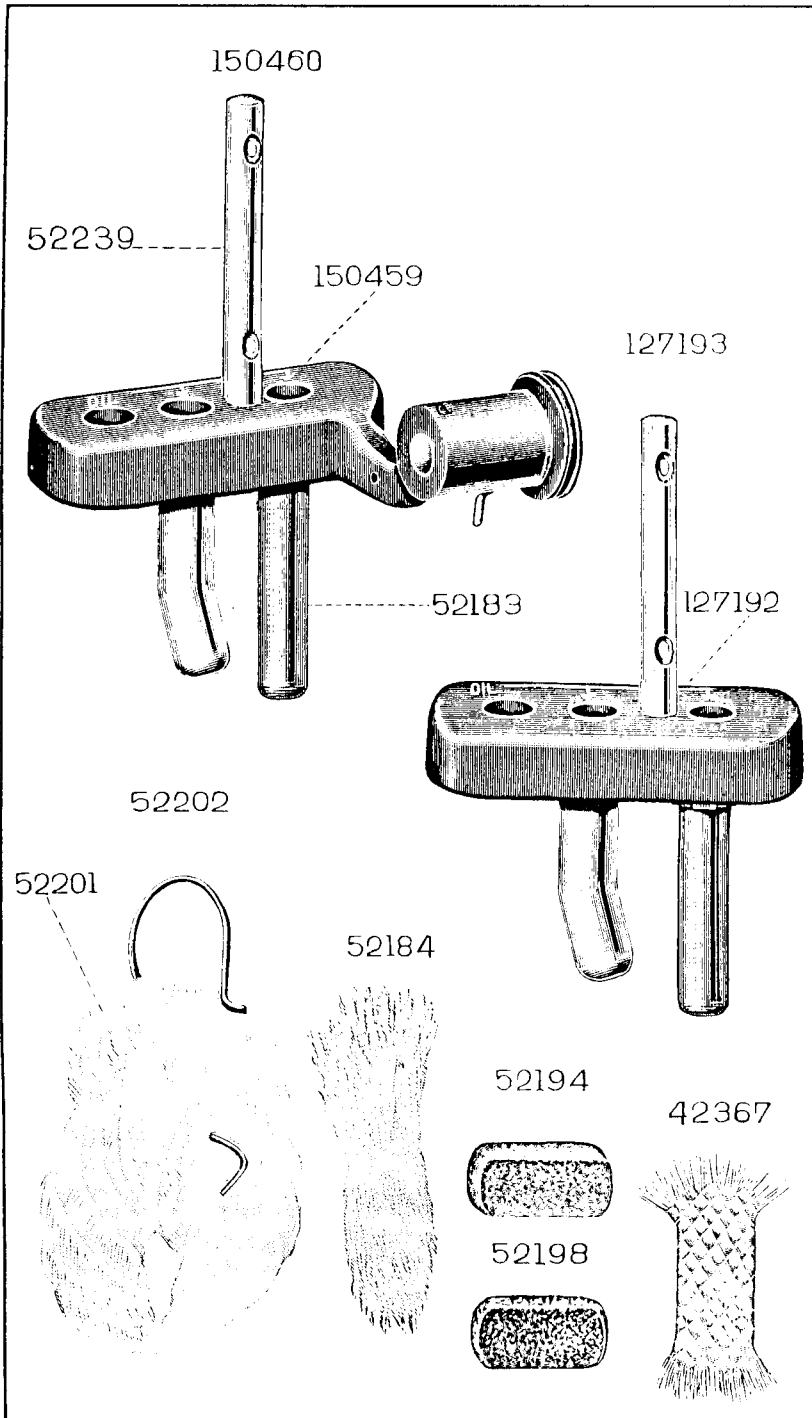


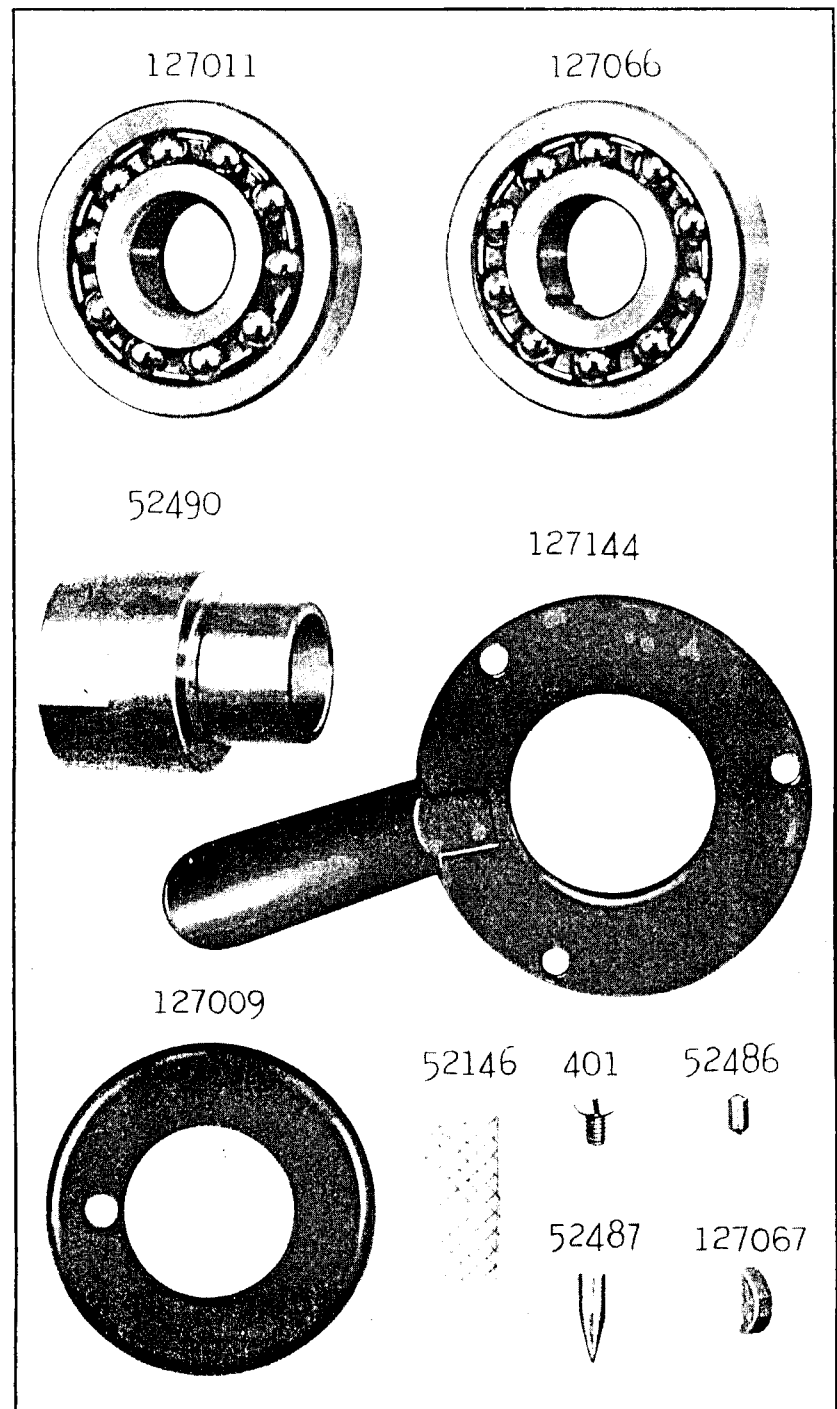
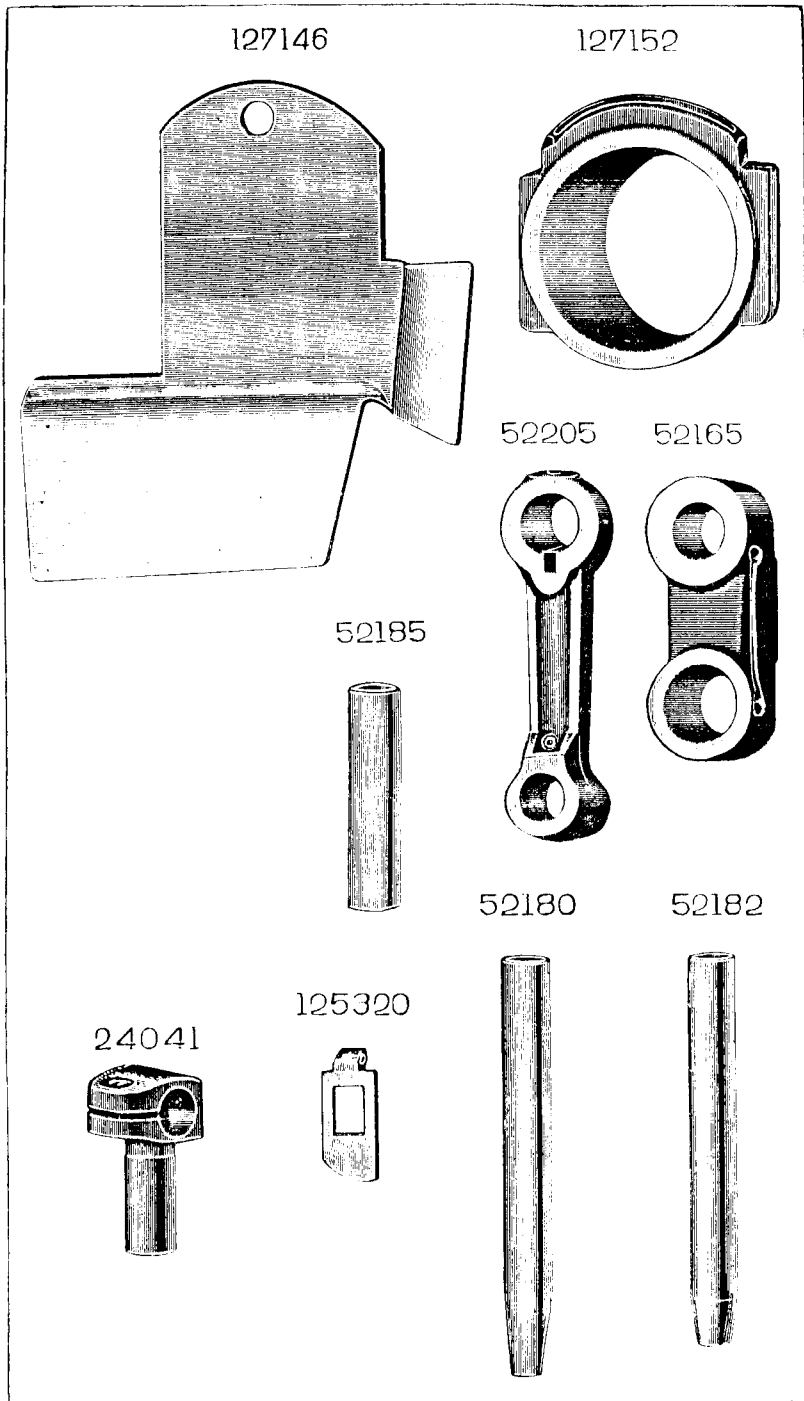


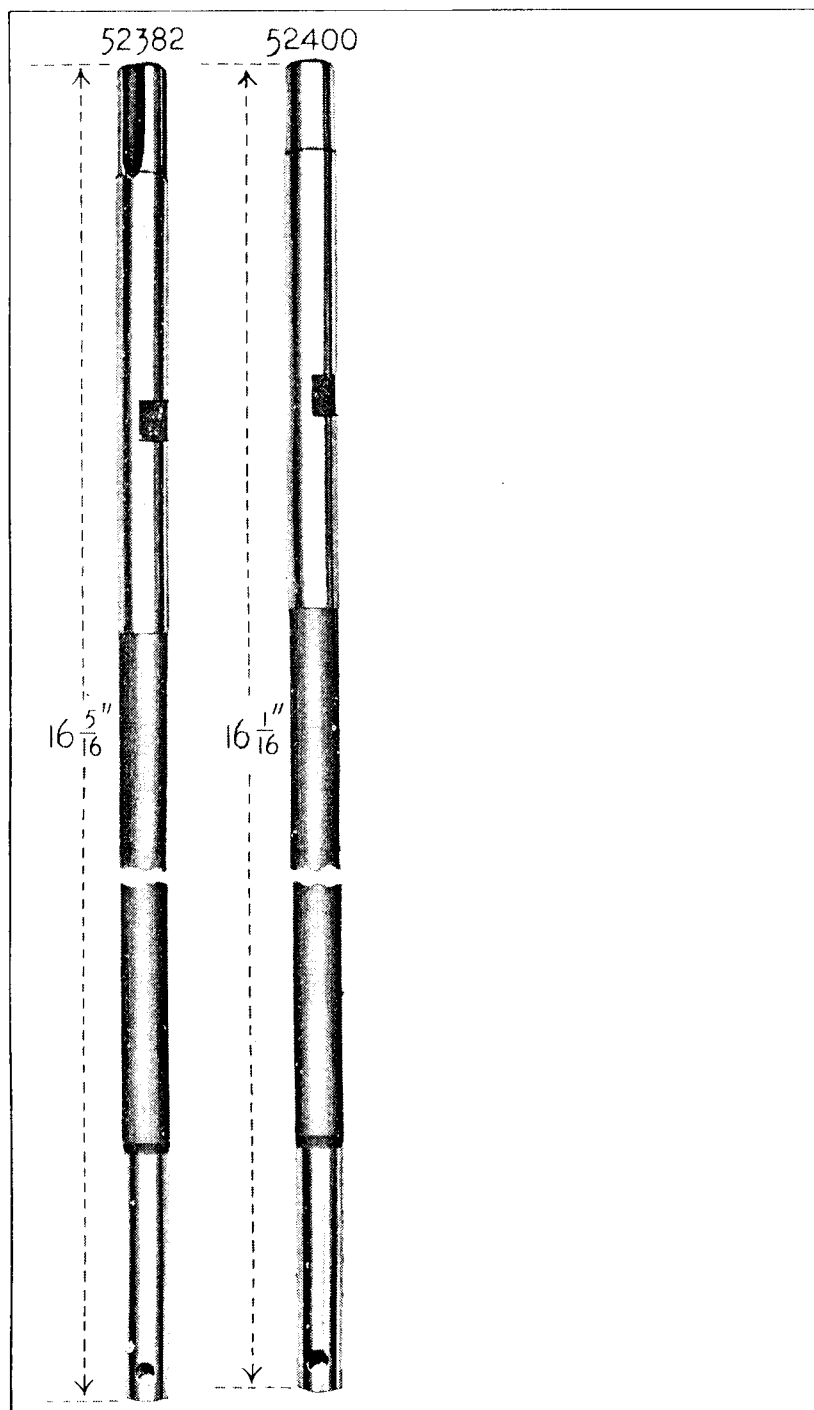
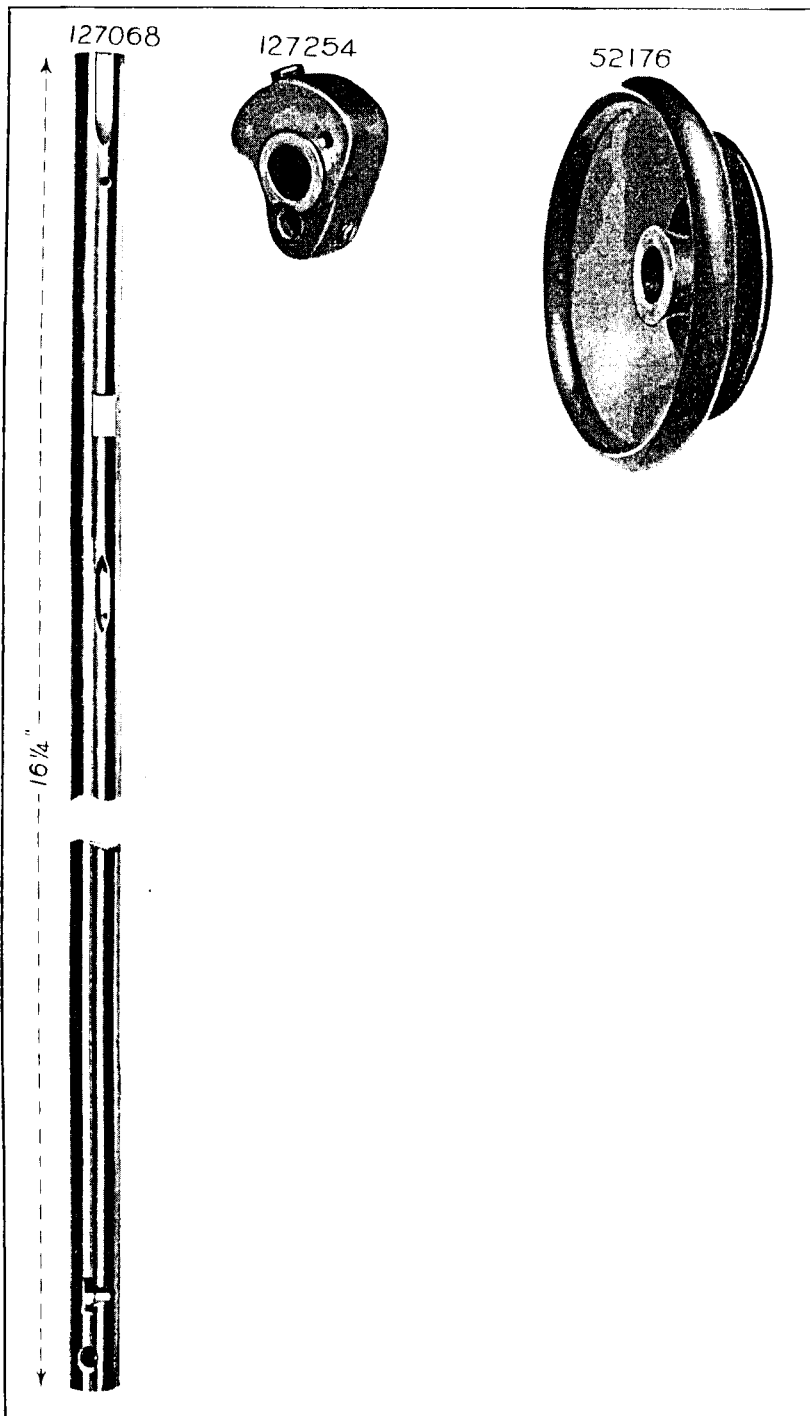




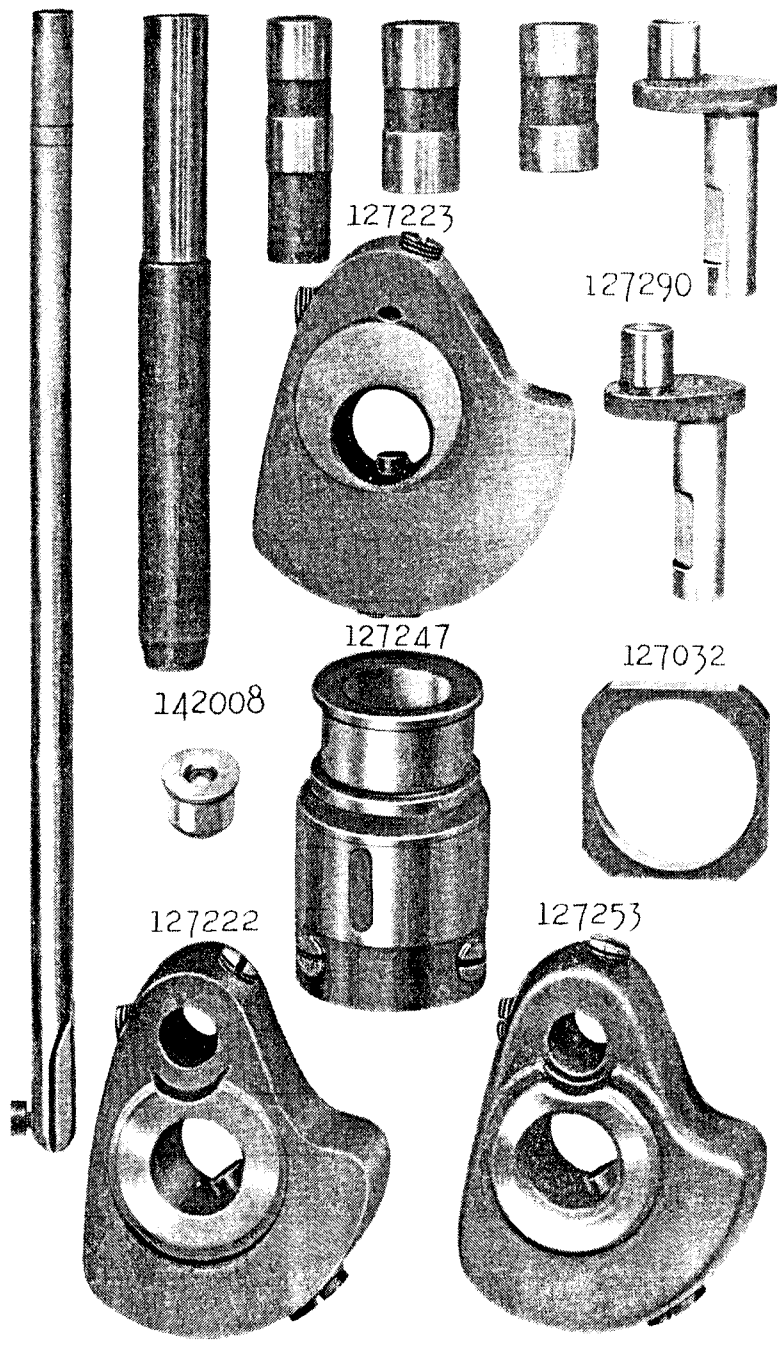








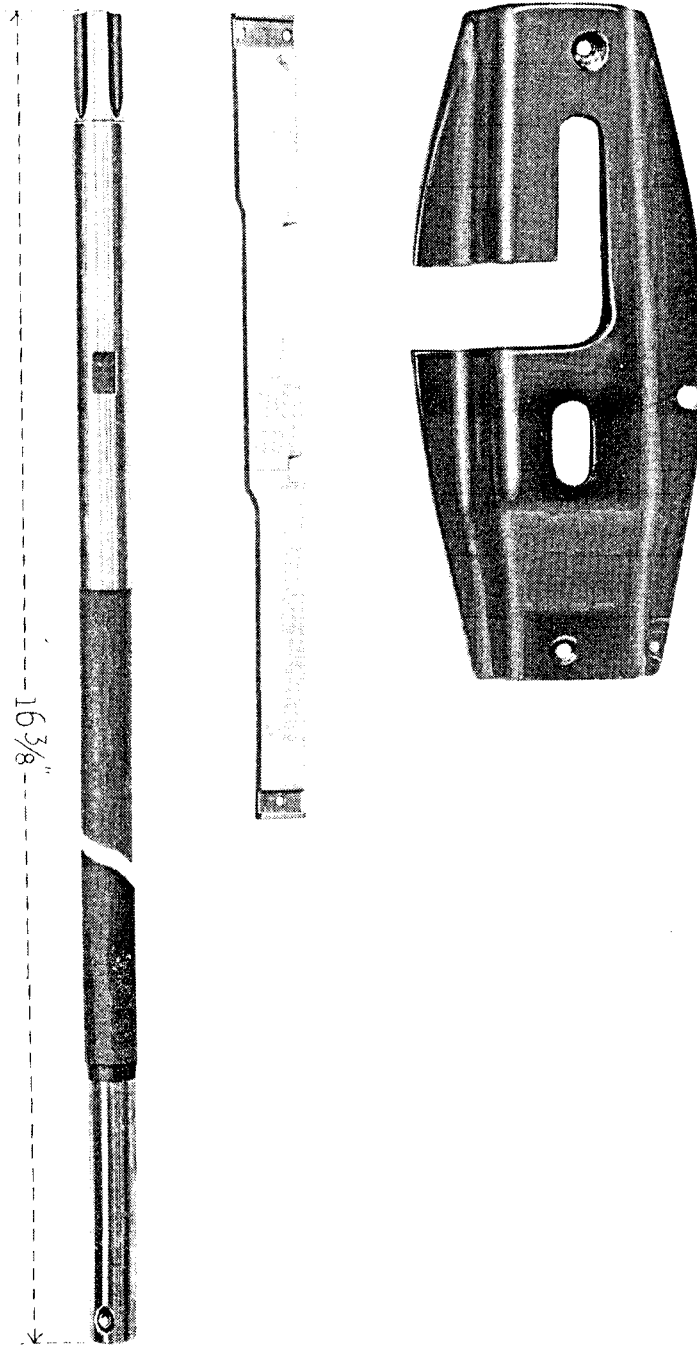
127135 52111 52200 127230 127305 52216

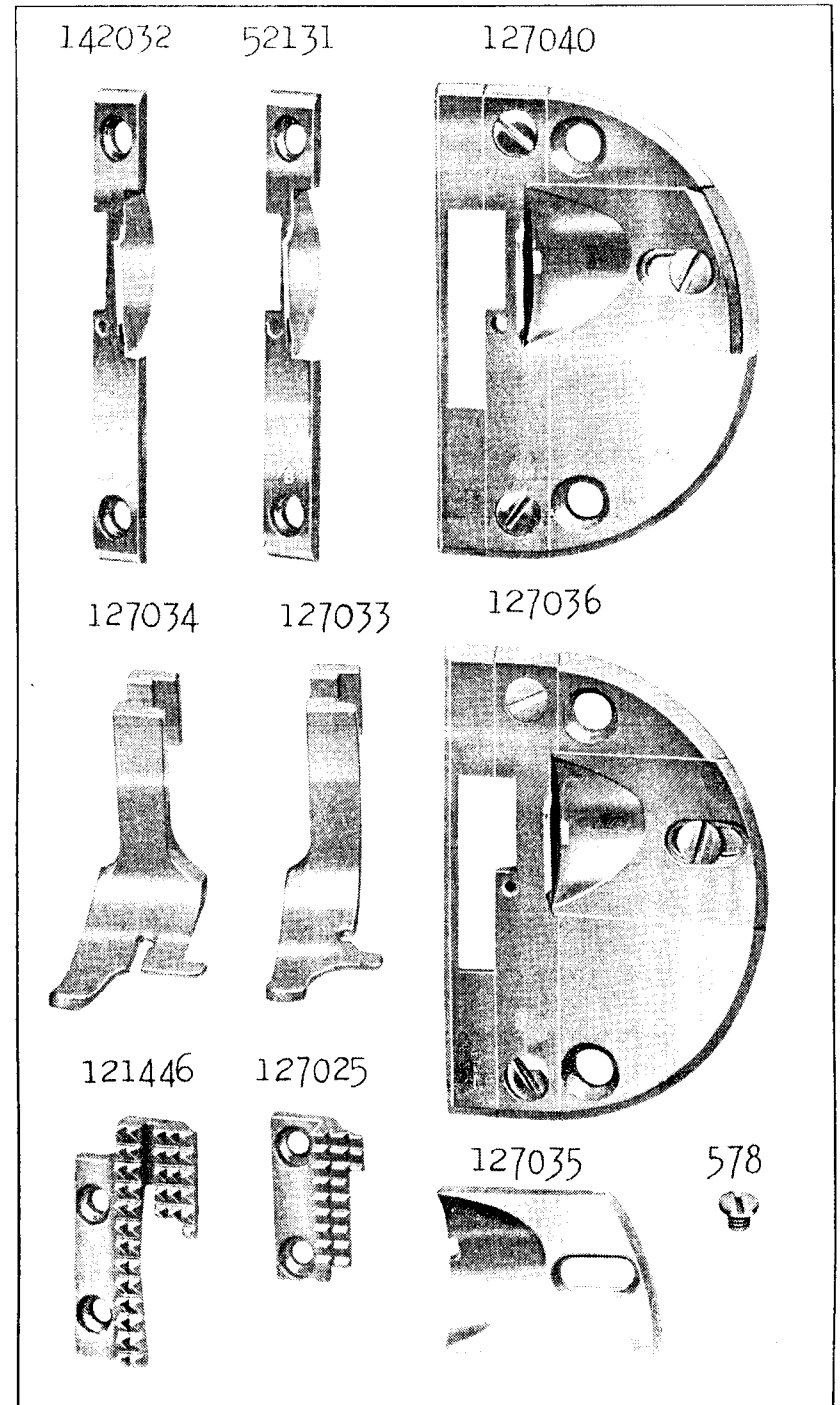
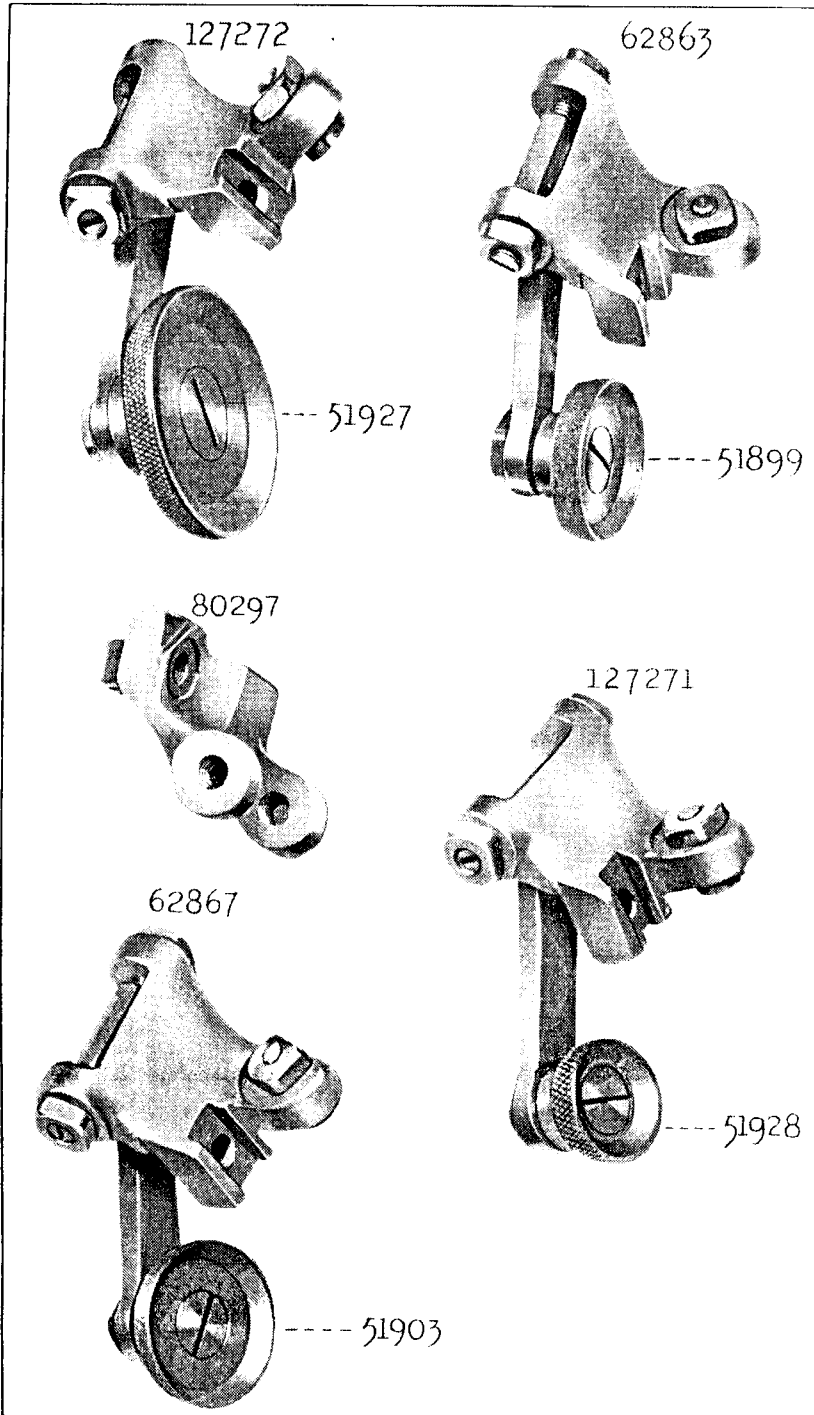


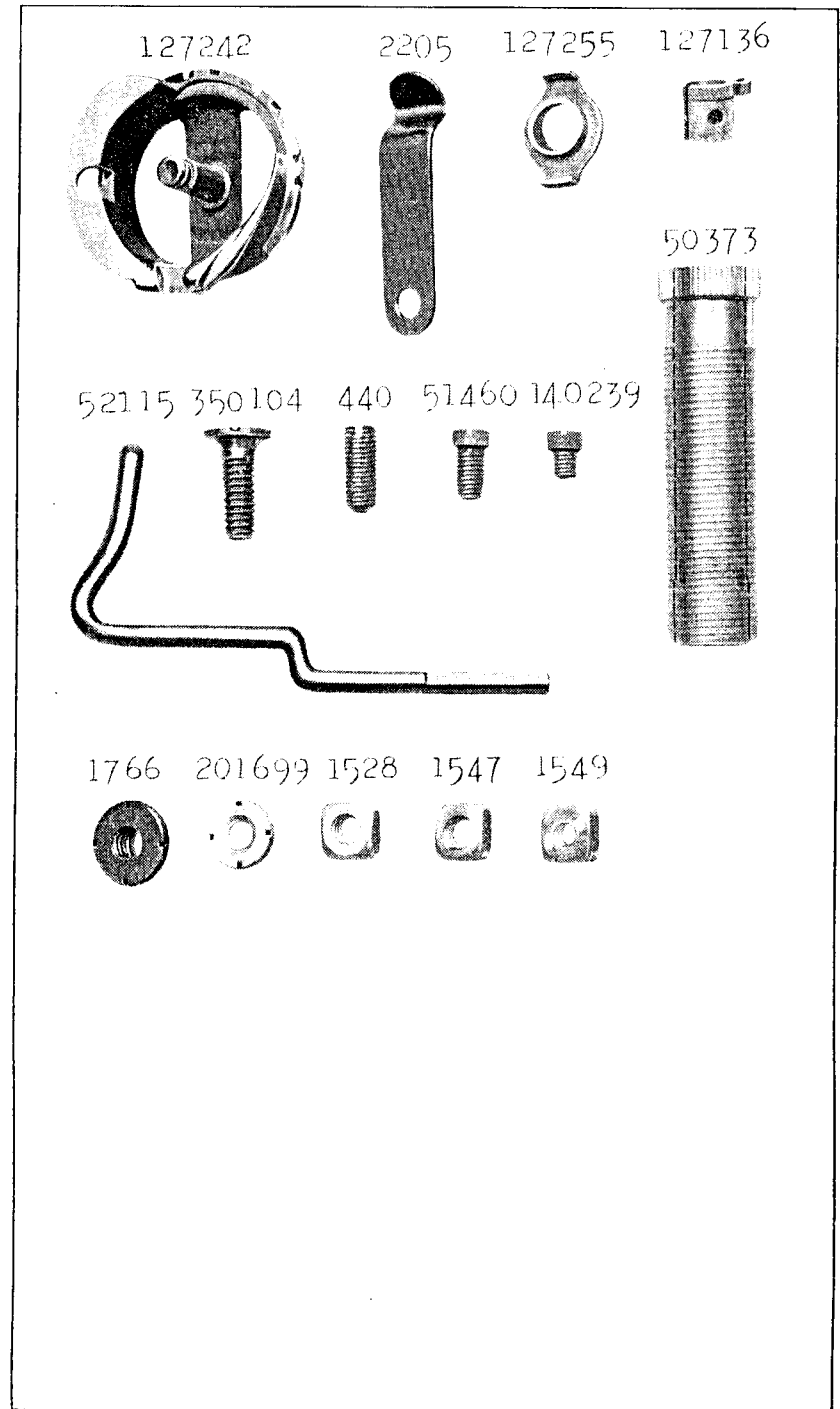
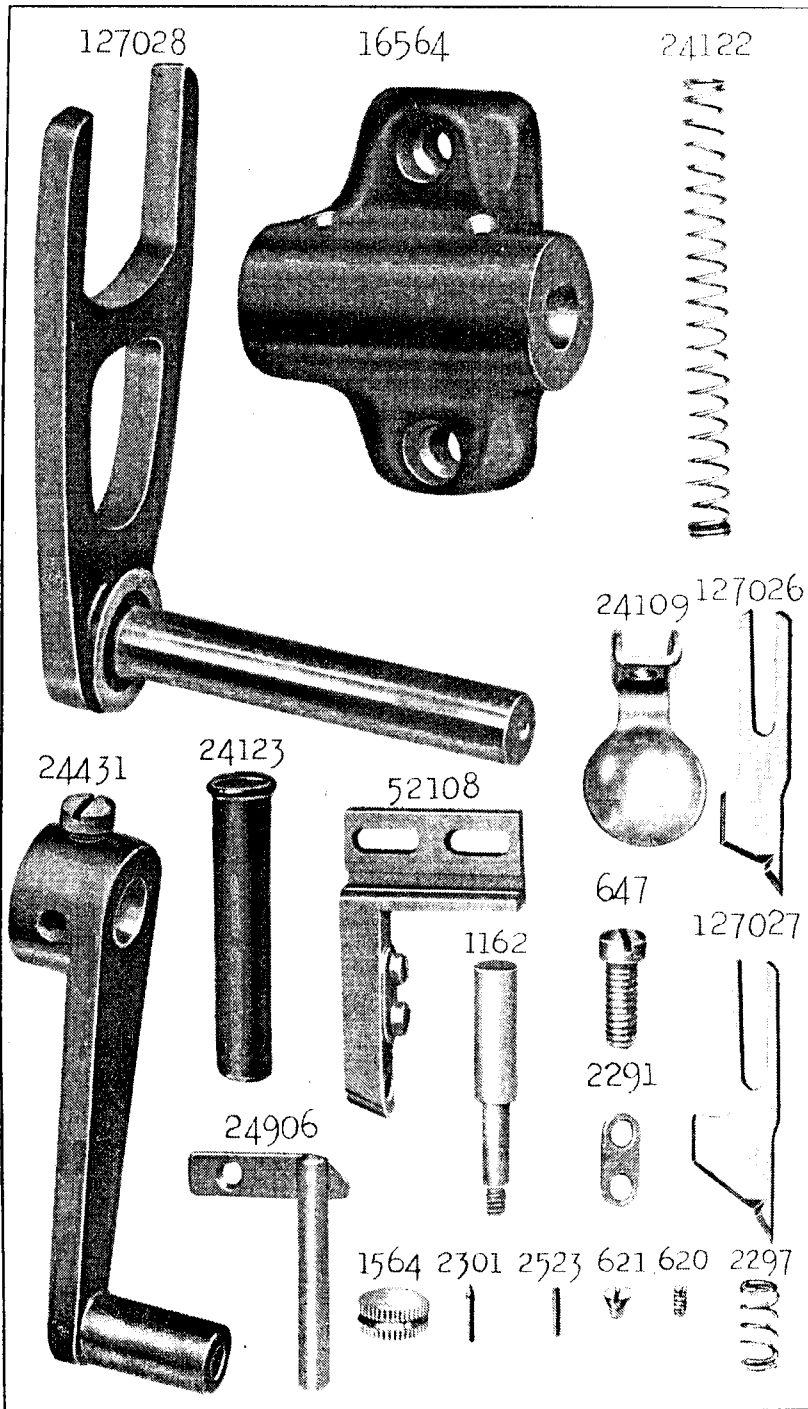
127024

52104

52102







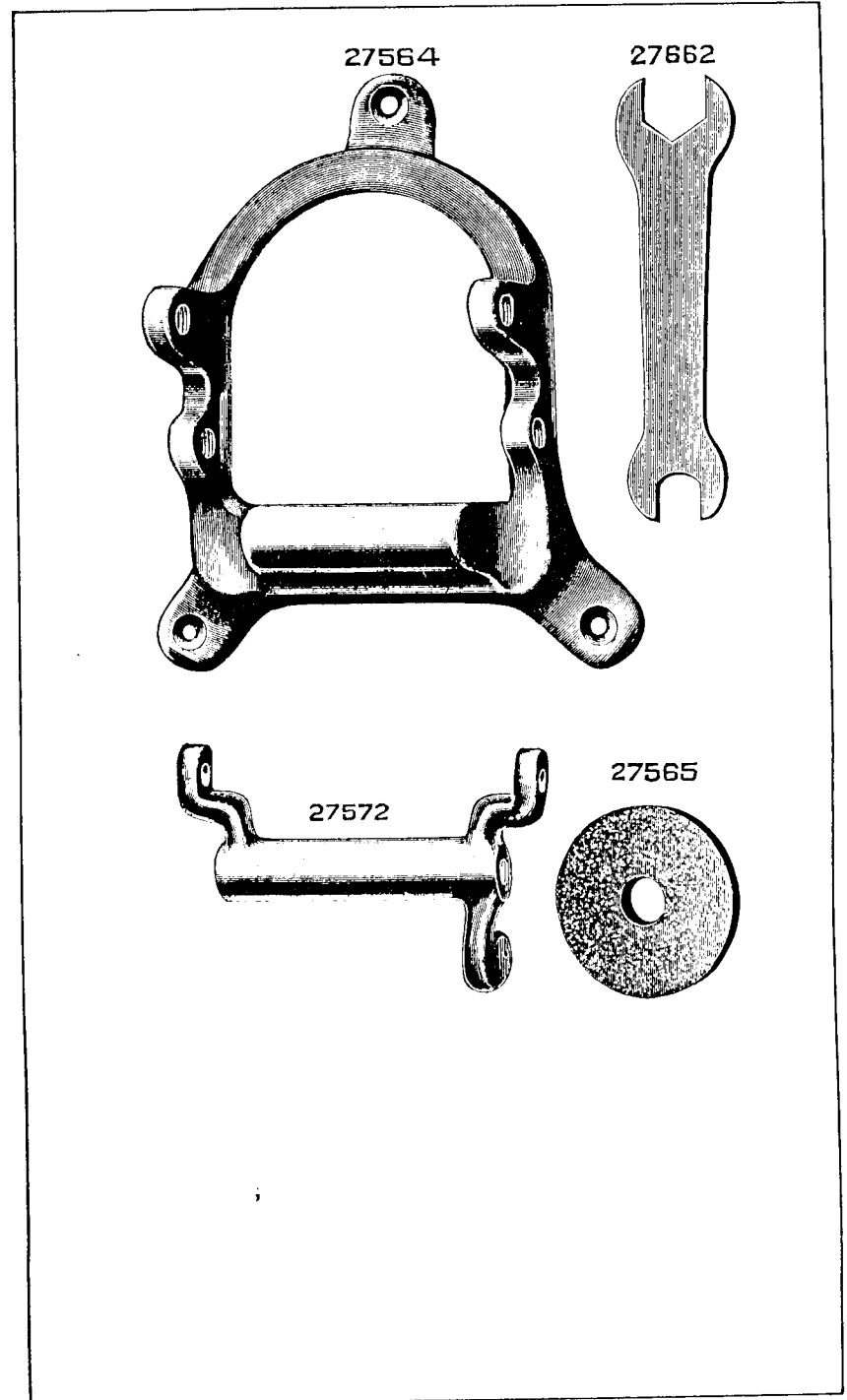
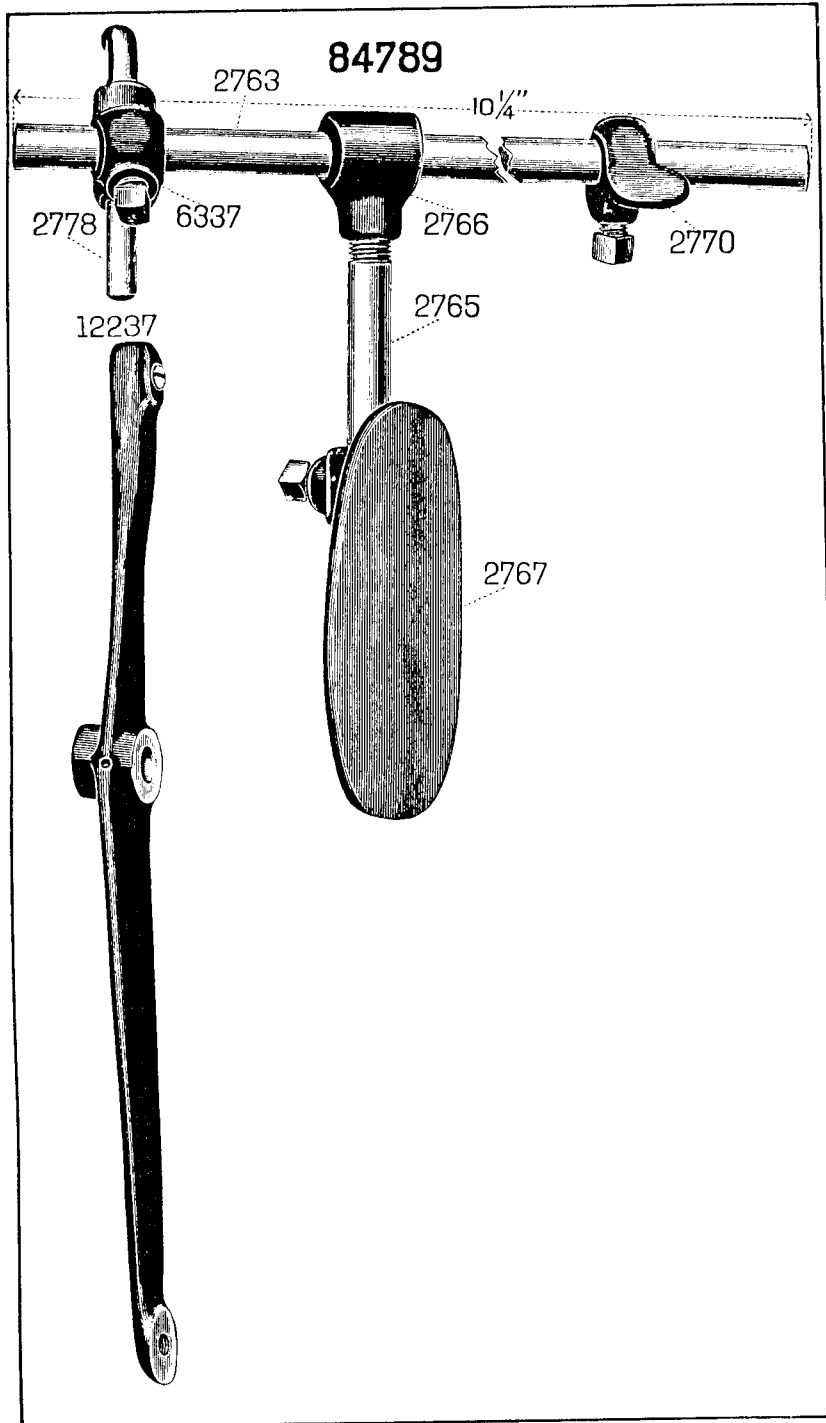


PLATE 7699—FULL SIZE

24443

12436



12438

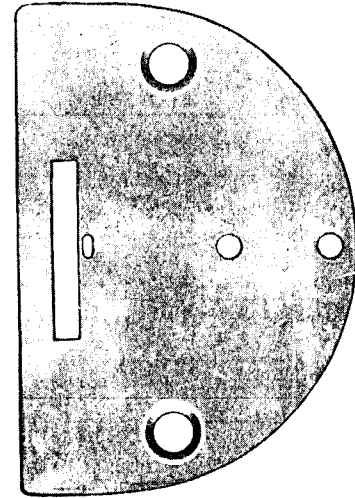
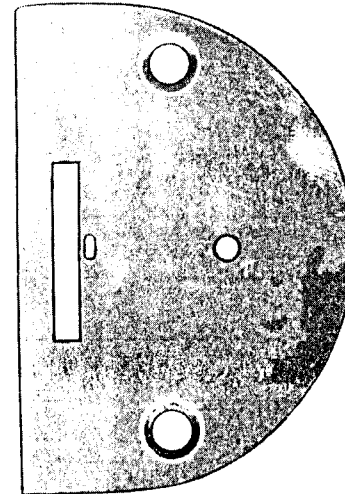


PLATE 7703—FULL SIZE

120063

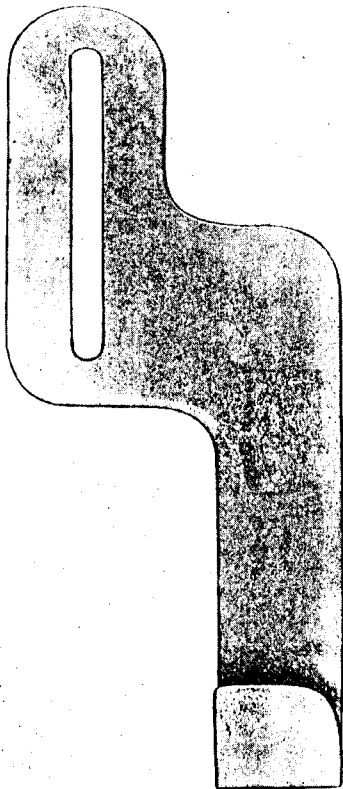
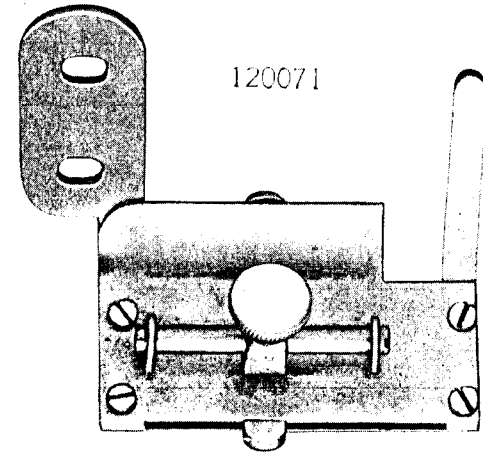


PLATE 7704—FULL SIZE

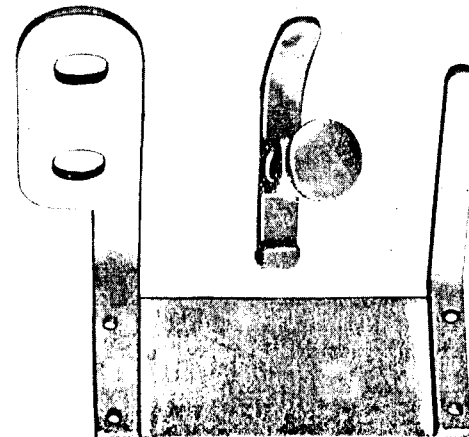


120071

120067

120068

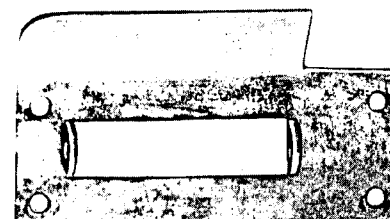
120069



291



120070



1423

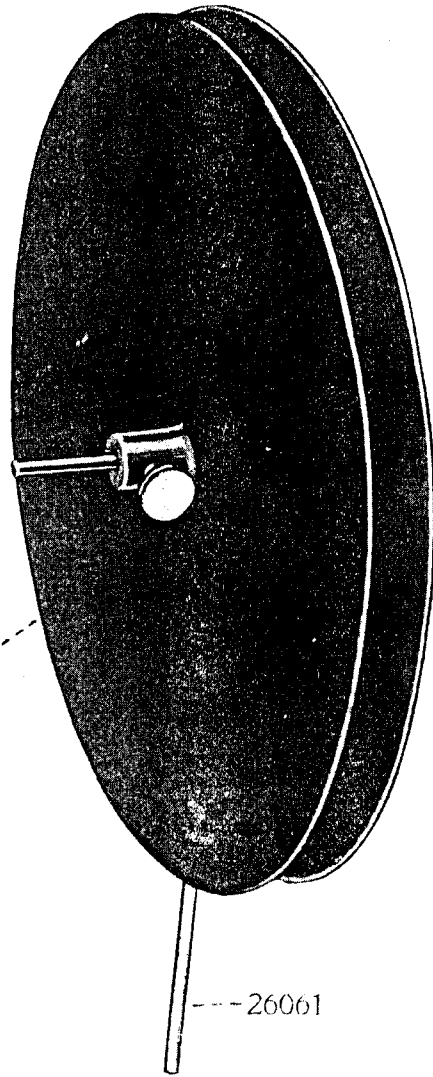


50169



PLATE 7708—ONE-HALF SIZE

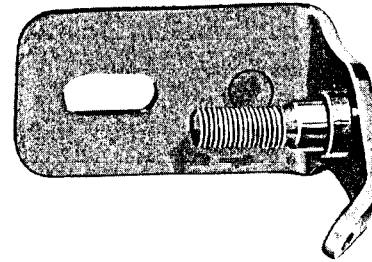
26063



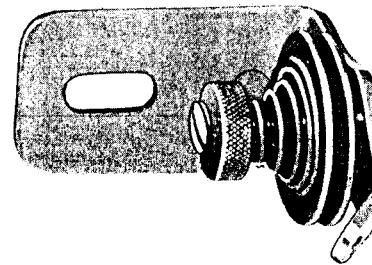
26062

---26061

225461



225462



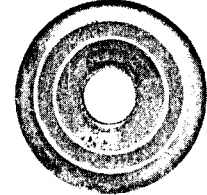
200082



202104



2102



202407

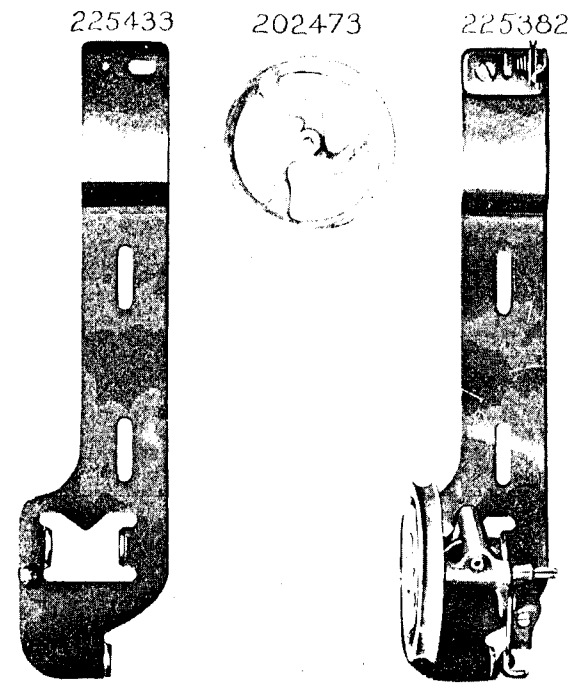
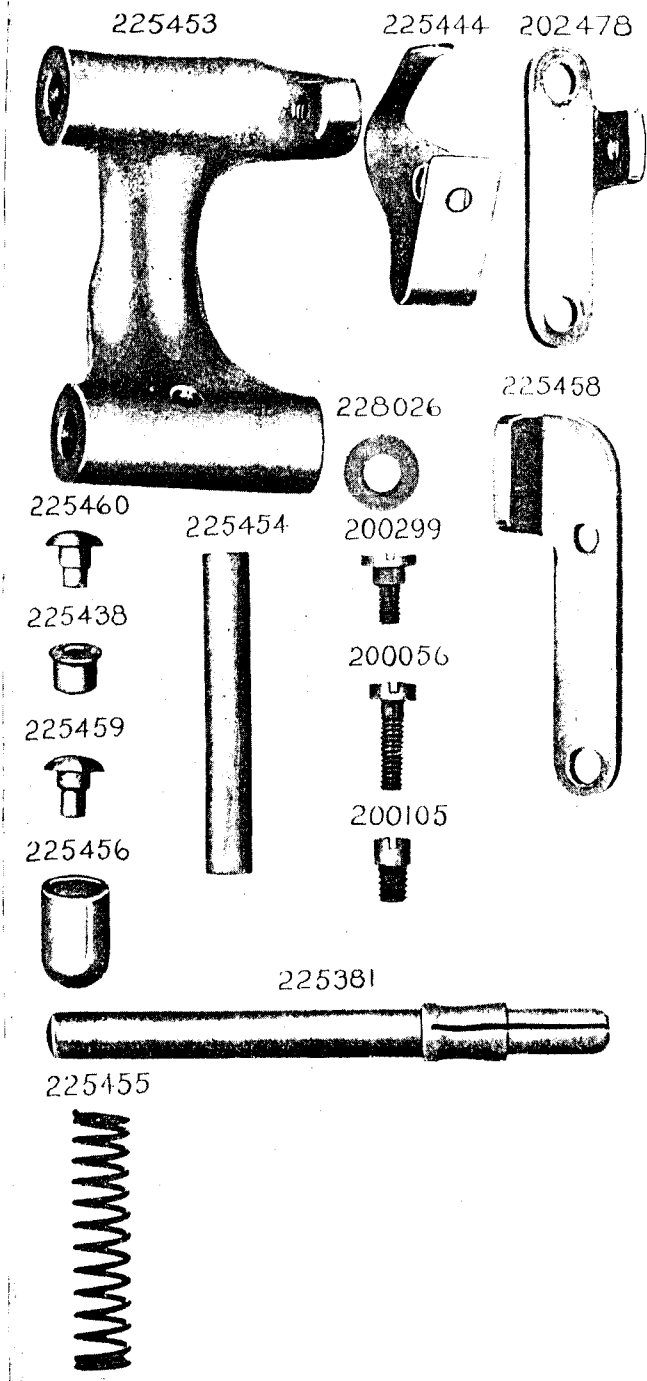


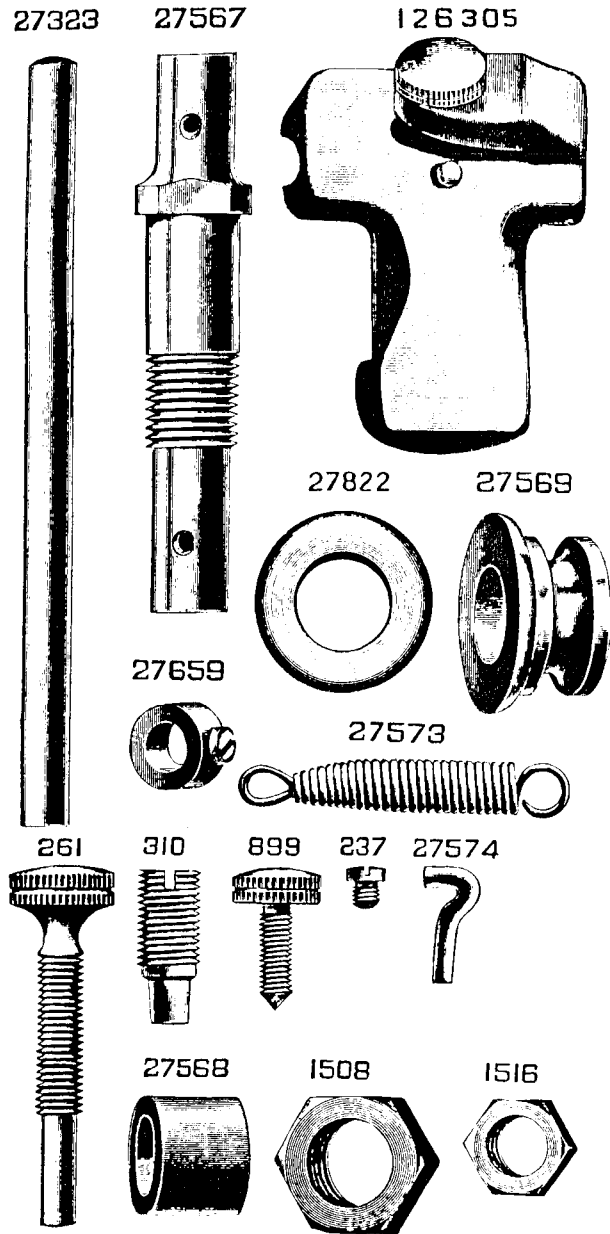
201499



201572







ILLUSTRATED
LIST OF PARTS

FOR

Nos. 96K40 to 96K45
and 96K60 Machines

CONTENTS

	Page
Parts, complete, for 96K40 Machine	73
" " " 96K41 "	81
" " " 96K42 "	89
" " " 96K43 "	97
" " " 96K44 "	105
" " " 96K45 "	113
" " " 96K60 "	121
Accessories	131
Attachments	135
Bobbin Winders	132
Iron Base	131
Knee Lifter	144
Knife Grinder	145
Numerical List of Parts	149
Tape Holder	131
Thread Unwinder	146

INSTRUCTIONS FOR ORDERING

In ordering from this List, the prefix and affix letters with the part number **MUST BE** quoted exactly as they are shown in the first column.

A number always indicates the same part in whatever List it may appear, or for whatever machine.

The affix letters (where shown) indicate the style of finish, as follows:—

- A. Hardened, Polished, Nickel Plated and Buffed.
- A.A. Buffed and Chromium Plated.
- A.B. Hardened, Polished, Buffed and Chromium Plated.
- A.C. Brown Baking Enamel Finish.
- A.D. Grey Baking Enamel Finish.
- A.E. Hardened, Bright Rumbled and Nickel Plated.
- A.F. Hardened, Bright Rumbled and Nickel Plated, Bright Rumbled and Chromium Plated.
- A.L. Heat Treated for Toughness.
- B. Polished, Nickel Plated and Buffed.
- C. Hardened only.
- C.R. Hardened and Merlized.
- D. Polished only.
- E. Soft, not Polished.
- F. Hardened and Polished.
- F.J. Hardened, Polished and Nickel Plated.
- G. Bright Rumbled and Nickel Plated.
- H. Blue.
- J. Nickel Plated only.
- K. Hardened and Nickel Plated.
- L. Brass Plated.
- M. Oxidized.
- N. Japanned, Dull.
- P. Japanned, Bright.
- P.P. Wrinkle Finish.
- R. Merlized.
- S. Cadmium Plated.
- T. Copper Plated.
- T.A. Hardened, Polished, Copper and Nickel Plated and Buffed.
- T.B. Copper and Nickel Plated and Polished.
- T.J. Copper and Nickel Plated only.
- T.K. Hardened, Copper and Nickel Plated.
- T.L. Copper and Brass Plated.
- T.M. Copper Plated and Oxidized.
- U. Zinc Plated.
- V. Silver Plated.
- W. Polished and Nickel Plated.
- X. Black Oxide for Iron and Steel.
- X.C. Hardened and Black Oxide for Iron and Steel.
- Y. Black Nickel Plated only.
- Z. Chromium Plated.
- Z.A. Hardened, Polished, Nickel Plated, Buffed and Chromium Plated.
- Z.B. Polished, Nickel Plated, Buffed and Chromium Plated.
- Z.C. Hardened and Chromium Plated.
- Z.D. Polished and Chromium Plated.
- Z.G. Bright Rumbled, Nickel Plated, Bright Rumbled and Chromium Plated.
- Z.J. Nickel and Chromium Plated.
- Z.T. Copper and Chromium Plated.

Parts marked with an asterisk (*) are furnished only when the repairs are made at Factory.

PARTS COMPLETE FOR No. 96K40 MACHINE

For Cloaks, Clothing and other work in Cloth. Maximum Stitch 5 to the inch. Drop Feed. Knee Lifter.

No.	Plate							
*127213	--	Arm	with 15404, two each 15405 and 56015
<i>NOTE. -Due to the accuracy required for gear alignment, Arm cannot be supplied separately and can only be sent out as a unit, Arm and Bed assembled.</i>								
16532	2032	Arm Dowel Pin (2)
52182	2066	" Oil Tube with 52184, for oiling 52205
52183	2064	" " " " 52184, " " 52024, for 127193 and	150460
52180	2066	" " " (long) with 52184, for oiling 52022
52185	2066	" " " (short) " 42367, " " 52022
127187	2040	" " " with 42367, for oiling 127152, for 127193 and	150460
52148	2039	" " "
52149	—	" " " 52148 with 52150, for oiling 127072 and 127074
56015	2033	" " " for oiling 127058 (2)
52150	2039	" " " Packing (braided cotton) for 52149
42367	2064	" " " " (" ") " 52185 and 127187
52184	2064	" " " " (cotton wick) for 52180, 52182, 52183, and 127191
116c	1324	" Screw (back) (2)
854c	2035	" " (front) (2)
127047	1815	Arm Shaft (horizontal)
88615	—	" " (") 127047 with 127253
127072	2039	" " (") Bevel Gear with two 1036c
127070	2029	" " (") " " Case (two pieces) with 121e
121e	1324	" " (") " " " Screw
1036c	2035	" " (") " " Set Screw
52191	2040	" " (") Flanged Bushing (back)
52192	—	" " (") " " (") 52191 with 52193 and 52194
52193	2040	" " (") " " (") Oil Pad (braided cotton)
52194	2064	" " (") " " (") Oil Pad (felt)
446c	1324	" " (") " " (") Set Screw
52195	2040	" " (") " " (front)
52196	—	" " (") " " (") 52195 with 52193 and 52198

No.	Plate	
52198	2064	Arm Shaft (horizontal) Flanged Bushing (front) Oil Pad (felt)
52193	2040	" " (") " " (") " " (braided cotton)
435c	1324	" " (") " " (") Set Screw ...
68350	2039	" " (") Front Bearing Oil Cup (spring lid) ...
144d	1324	" " (") Screw ...
127058	2028	" " (upright) ...
127073	2039	" " (") Bevel Gear (lower) with two 1259c ...
1259c	2035	" " (") " " (") Set Screw ...
127074	2039	" " (") " " (upper) with two 1259c ...
1259c	2035	" " (") " " (") Set Screw ...
52492	2039	" " (") Bushing (lower) ...
432c	1324	" " (") " (") Set Screw ...
52493	2039	" " (") " (upper) ...
435c	1324	" " (") " (") Set Screw ...
127146	2066	" Side Cap ...
219d	1324	" " " Screw ...
127079	2028	" " Cover ...
50053d	2035	" " " Thumb Screw ...
52239	2064	" Spool Pin and Thread Eyelet ...
8879	1316	" " " Washer (cloth) ...
127192	2064	Arm Top Cover ...
127193	2064	" " " 127192 with 52183, 52239, 127187 and 127255
127255	2378	" " " Positioning Disc ...
158j	1324	" " " Screw ...
150459	2064	" " " Tension Bracket with 460c ...
158j	1324	" " " " " Screw ...
52239	2064	" " " " " Spool Pin ...
8879	1316	" " " " " " Washer (cloth) ...
2455	1688	" " " " " Disc ...
41593	1316	" " " " " Spring ...
41594	1316	" " " " " Stud ...
460c	1324	" " " " " Set Screw ...
41595	1316	" " " " " Thread Guide ...
150460	2064	Arm Top Cover Tension Bracket , complete, Nos. 41593 to 41595, 52183, 52239, 127187, 127255, 150459 and two 2455

NOTE.—No. 150460 is supplied with this machine unless No. 127193 is specified on order.

52187	2065	Balance Wheel (power, disc), 2 $\frac{3}{16}$ " pulley, with two 448c ...
52081	—	" " (stand, heavy rim) 2 $\frac{1}{8}$ " pulley, with two 448c
52063	2029	" " Oil Cover ...
210d	1324	" " " " " Screw ...
448c	1324	" " " " " Set Screw ...

NOTE.—No. 52187 is supplied with this machine unless otherwise specified on order.

No.	Plate	
*52383	—	Bed ...
NOTE.—Due to the accuracy required for gear alignment, Bed cannot be supplied separately and can only be sent out as a unit, Arm and Bed assembled.		
12431	—	Bed Slide ...
12432	2028	" " complete, Nos. 4307, 12431 and two 725c ...
4307	2028	" " Spring ...
725c	1324	" " " " Screw ...
52051	—	Face Plate ...
176d	559	" " " Screw ...
52053	2030	" " " Thread Guard (lower) ...
226d	1324	" " " " " (") Screw ...
52170	—	" " " " " (upper) ...
226d	1324	" " " " " (") Screw ...
50190d	2035	" " " Thumb Screw ...
52052	2028	Face Plate , complete, Nos. 52051, 52053, 52170 and two 226d ...
52452	2028	Feed Bar ...
313c	1324	" " " Screw Centre (2) ...
1519c	2031	" " " " " Nut (2) ...
52165	2066	" " " Connecting Link ...
375c	1324	" " " " " Hinge Screw ...
1518c	2034	" " " " " " Nut ...
52073	2032	" " " " " Stud ...
50083c	2035	" " " " " " Set Screw ...
44136	1510	Feed Dog for tailor work ...
12457	2036	" " " cloth, 16 teeth (16 teeth to the inch) ...
12450	2036	" " " " " 11 " (18 " " " ") ...
20158	2030	" " " " " shirt work, 17 teeth (16 teeth to the inch) ...
20162	2036	" " " " " bevelled for hemmer, 17 teeth (16 teeth to the inch) ...
12481	2036	" " " " " general work, 18 teeth (16 teeth to the inch) ...
50117c	2035	" " " " " Screw (2) ...
NOTE.—Feed Dog No. 44136 is sent with this machine unless otherwise specified on order.		
127202	—	Feed and Feed Lifting Eccentric with 448c, 1299c, 52210 and 52211
127225	—	" " " " " " 127202 with 127152 ...
52210	—	" " " " " " Lubricating Pad (wood, long)
52211	—	" " " " " " " " (" short)
1299c	2040	" " " " " " Position Screw ...
448c	1324	" " " " " " Set Screw ...
127152	2066	" " " " " " Sleeve ...
20284	2029	Feed Forked Connection ...
52393	—	" " " " " 20284 with 375c, 1518c and 52165 ...
375c	1324	" " " " " Hinge Screw ...
1518c	2034	" " " " " " Nut ...

No.	Plate						
125320	2066	Rotating Hook	Bobbin Case Latch Lever
2974	2032	"	"	"	"	Fulcrum Pin	...
2975	2032	"	"	"	"	Spring	...
592e	1324	"	"	"	"	Stop Screw	...
591f	1324	"	"	"	"	Tension Regulating Screw	...
40394	2032	"	"	"	"	Spring	...
1380d	2035	"	"	"	"	Screw	...
52237	2032	"	"	"	"	complete, Nos. 592e, 2975, 40393 and 52236	...
127241	—	"	"	"	"	52237 with 127242 (for agents only)	...
40274	2032	"	"	Section
1367d	2035	"	"	"	Screw
1253c	2035	"	"	Set Screw
127059	2065	"	"	Shaft
127073	2039	"	"	Bevel Gear with two 1259e
127007	2029	"	"	"	"	Case (two pieces) with 121e and 50234d	...
50234d	2035	"	"	"	"	Plug Screw	...
121e	1324	"	"	"	"	Screw	...
1259c	2035	"	"	"	"	Set Screw	...
127004	2039	"	"	"	"	Bushing (back)	...
127043	—	"	"	"	"	(") 127004 with 52045	...
52045	2032	"	"	"	"	(") Packing (cotton)	...
1143c	2035	"	"	"	"	(") Set Screw	...
127005	2039	"	"	"	"	(front)	...
127044	—	"	"	"	"	(") 127005 with 52045	...
142008	2373	"	"	"	"	(") Oil Cup	...
52045	2032	"	"	"	"	(") Packing (cotton)	...
1148c	2035	"	"	"	"	(") Set Screw	...
127102	2039	"	"	Thread Guard
1053e	2035	"	"	"	"	Screw	...
52337	1316	Slack Thread Regulator
223c	1316	"	"	"	"	Set Screw	...
2102	2032	Tension Disc
1560c	2034	"	Regulating Thumb Nut
32572	2032	"	Releasing Disc
43944	1316	"	"	Lever
12398	1316	"	"	"	Hinge Pin
12329	1316	"	"	"	Spring
32574	2032	"	"	"	Pin
2103	2032	"	"	Spring
50304c	2034	"	"	Stud
50305c	2035	"	"	"	Set Screw
52397	—	Tension , complete, Nos. 1560c, 2103, 32572, 32574, 50304c, 52083, 52394 and two 2102

No.	Plate						
52027	2022	Thread Guard (side of arm)
52454	2030	"	Retainer
624c	2035	"	"	Set Screw
52215	—	Thread Take-up , complete, Nos. 11204, 52025 and 52217
52216	2373	Thread Take-up Crank
52217	—	"	"	"	52216 with 775c and 52206
1037c	2035	"	"	"	Position Screw
1036c	2035	"	"	"	Set Screw
52022	1503	Thread Take-up Lever with 52130
52023	2039	"	"	"	Hinge Pin
52024	2039	"	"	"	Link
11204	2033	"	"	"	"	Hinge Pin	...
435c	1324	"	"	"	"	"	Set Screw
52130	—	"	"	"	"	Thread Eyelet Bushing	...
52025	—	Thread Take-up Lever , complete, Nos. 52022 to 52024
52394	2039	Thread Take-up Spring
52083	2032	"	"	"	Regulator with 50305c
448c	1324	"	"	"	"	Set Screw	...
44137	1510	Throat Plate , large needle hole, for 44136
12411	2036	"	"	"	"	"	12457
19409	2036	"	"	"	"	"	20162
19410	2036	"	"	small	"	"	20162
12482	—	"	"	large	"	"	12481
12483	2036	"	"	small	"	"	12481
691f	1324	"	"	"	Screw (2)
<i>NOTE:—Throat Plate No. 44137 is sent with this machine unless otherwise specified on order.</i>							
*15404	—	Trade Mark
15405	—	"	"	Rivet
44212	—	Drip Pan with four $\frac{3}{4}$ " wire nails

PARTS COMPLETE FOR No 96K41 MACHINE

**For Cloaks, Clothing, Overalls and other work in Cloth. Maximum Stitch
5 to the inch. Reversible Feed. Knee Lifter.**

No.	Plate	
*127214	-	Arm with 15404, two each 15405 and 56015

*NOTE. Due to the accuracy required for gear alignment, Arm cannot be supplied
separately and can only be sent out as a unit, Arm and Bed assembled.*

16532	2032	Arm Dowel Pin (2)
52182	2066	" Oil Tube, with 52184, for oiling 52205
52183	2061	" " " " 52184, " " 52024, for 127193 and 150460
52180	2066	" " " (long), with 52184, for oiling 52022
52185	2066	" " " (short), with 42367, for oiling 52022
127487	2040	" " " with 42367, for oiling 127152, for 127193 and 150460
52148	2039	" " "
52149		" " " 52148, with 52150, for oiling 127072 and 127074
56015	2033	" " " for oiling 127058 (2)
52150	2039	" " " Packing (braided cotton) for 52149
42367	2064	" " " " (" ") " 52185 and 127187
52184	2064	" " " " (cotton wick) for 52180, 52182, 52183, and 127191
116e	1324	" Screw (back) (2)
854e	2035	" " (front) (2)
52382	2372	Arm Shaft (horizontal)
88616	—	" " (") 52382, with 127253, for 52081 and 52187

*NOTE.—No. 127062 is supplied with this machine unless otherwise specified
on order.*

52400	2372	Arm Shaft (horizontal)
88617	—	" " (") 52400, with 127253, for 56017
127072	2039	" " (") Bevel Gear with two 1036e
127070	2029	" " (") " " Case (two pieces) with 121e
121e	1324	" " (") " " " Screw
1036e	2035	" " (") " " Set Screw
52191	2040	" " (") Flanged Bushing (back)
52192	—	" " (") " " (") 52191 with 52193 and 52194

No. 96K41 MACHINE PARTS

No.	Plate	
52401	1529	Arm Shaft (horizontal) Flanged Bushing (back) for 52405 ...
52193	2040	" " (") " " (") Oil Pad ...
		(braided cotton)
52194	2064	" " (") " " (") Oil Pad (felt)
446c	1324	" " (") " " (") Set Screw ...
52195	2040	" " (") " " (front) ...
52196	—	" " (") " " (") 52195 with
		52193 and 52198
52193	2040	" " (") " " (") Oil Pad
		(braided cotton)
52198	2064	" " (") " " (") Oil Pad (felt)
435c	1324	" " (") " " (") Set Screw ...
68350	2039	" " (") Front Bearing Oil Cup (spring lid) ...
144d	1324	" " (") Screw ...
127058	2028	" " (upright) ...
127073	2039	" " (") Bevel Gear (lower) with two 1259c ...
1259c	2035	" " (") " " (") Set Screw ...
127074	2039	" " (") " " (upper) with two 1259c ...
1259c	2035	" " (") " " (") Set Screw ...
52492	2039	" " (") Bushing (lower) ...
432c	1324	" " (") " (") Set Screw ...
52493	2039	" " (") " (upper) ...
1149c	2035	" " (") " (") Set Screw ...
127146	2066	" Side Cap ...
219d	1324	" " " Screw ...
127079	2028	" " Cover ...
50053d	2035	" " " Thumb Screw ...
52239	2064	" Spool Pin and Thread Eyelet ...
8879	1316	" " " Washer (cloth) ...
127192	2064	Arm Top Cover ...
127193	2064	" " " 127192 with 52183, 52239, 127187 and 127255 ...
127255	2378	" " " Positioning Disc ...
158j	1324	" " " Screw ...
150459	2064	" " " Tension Bracket with 460c ...
158j	1324	" " " " " Screw ...
52239	2064	" " " " " Spool Pin ...
8879	1316	" " " " " Washer (cloth) ...
2455	1688	" " " " " Disc ...
41593	1316	" " " " " Spring ...
41594	1316	" " " " " Stud ...
460c	1324	" " " " " Set Screw ...
41595	1316	" " " " " Thread Guide ...

150460 2064 **Arm Top Cover Tension Bracket**, complete, Nos. 41593 to 41595, 52183, 52239, 127187, 127255, 150459 and two 2455

NOTE. No. 150460 is supplied with this machine unless No. 127193 is specified on order.

No. 96K41 MACHINE PARTS

No.	Plate	
52187	2065	Balance Wheel (power, disc) $2\frac{3}{16}$ " pulley, with two 448c, for 127062
52081	—	" " (stand. heavy rim) $2\frac{11}{16}$ " pulley, with two 448c, for 127062
56017	2030	" " 2 $\frac{1}{4}$ " pulley for 52405 ...
52063	2029	" " Oil Cover ...
210d	1324	" " " " Screw ...
448c	1324	" " Set Screw ...

NOTE. No. 52187 is supplied with this machine unless otherwise specified on order.

*52383 — **Bed** ...

NOTE. Due to the accuracy required for gear alignment, Bed cannot be supplied separately and can only be sent out as a unit, Arm and Bed assembled.

12431	—	Bed Slide ...
12432	2028	" " complete, Nos. 4307, 12431 and two 725c ...
4307	2028	" " Spring ...
725c	1324	" " " Screw ...

256j	2035	Clamp Stop Motion Clamp Screw ...
248a	2035	" " " " Stop Screw ...
2020	2033	" " " " Washer ...
*52403	—	" " " Flanged Bushing ...
52404	1529	" " " " " 52403 with two 50311c ...
2022	2033	" " " " " Pin ...
50311c	2035	" " " " " Set Screw ...

52405 — **Clamp Stop Motion**, complete, Nos. 248a, 256j, 2020 and 52404, for 56017 ...

52051		Face Plate ...
176d	559	" " Screw ...
52053	2030	" " Thread Guard (lower) ...
226d	1324	" " " " (") Screw ...
52170		" " " " (upper) ...
226d	1324	" " " " (") Screw ...
50190d	2035	" " Thumb Screw ...
52052	2028	Face Plate , complete, Nos. 52051, 52053, 52170 and two 226d ...

52452	2028	Feed Bar ...
313c	1324	" " Screw Centre (2) ...
1519e	2034	" " " " Nut (2) ...
52165	2066	" Connecting Link ...
375c	1324	" " " Hinge Screw ...
1518e	2034	" " " " Nut ...
52073	2032	" " " " Stud ...
50083c	2035	" " " " Set Screw ...

No.	Plate						
26603	1529	Feed Dog
28360	1529	" "	(15 conical teeth)
121446	2376	" "	(spiked teeth)
50117c	2035	" "	Screw (2)
<i>NOTE.—Feed Dog No. 26603 is sent with this machine unless otherwise specified on order.</i>							
127247	2373	Feed and Feed Lifting Eccentric	with 448c, 1299c, 52210 and 52211
127248	—	" "	" "	" "	127247 with 127152
52210	—	" "	" "	" "	Lubricating Pad (wood, long)
52211	—	" "	" "	" "	" " (" short)
1299c	2040	" "	" "	" "	Position Screw
448c	1324	" "	" "	" "	Set Screw
127152	2066	" "	" "	" "	Sleeve
52407	2029	Feed Forked Connection
52451	—	" "	" "	" "	52407 with 375c, 1518c and 52165
375c	1324	" "	" "	" "	Hinge Screw
1518c	2034	" "	" "	" "	" " Nut
52384	2029	Feed Lifting Rock Shaft
127156	2065	" "	" "	" "	Connecting Rod with 127157 and two 966e
*127157	—	" "	" "	" "	" " Cap
966e	2035	" "	" "	" "	" " Screw
375c	1324	" "	" "	" "	" " Hinge Screw
1518c	2034	" "	" "	" "	" " " " Nut
12376	2032	" "	" "	" "	Crank with 157c and 1813
157c	1324	" "	" "	" "	" " Clamping Screw
1813	2034	" "	" "	" "	" " Roller and Stud
50191c	2034	" "	" "	" "	" " Screw Centre (2)
1513j	1317	" "	" "	" "	" " Nut (2)
52385	—	Feed Lifting Rock Shaft, complete,	Nos. 12376 and 52384
50338e	2034	Feed Regulating Screw Stud
56032	1502	" "	" "	" "	Head with 56033
50193j	2035	" "	" "	" "	" " Cap Screw
56033	—	" "	" "	" "	" " Stop Pin
56034	1502	" "	" "	" "	" " Lock Pin
56035	1502	" "	" "	" "	" " Spring
52408	1502	Feed Regulator	with 50083c
52411	—	" "	" "	" "	52408 with 52073
1128e	2035	" "	" "	" "	" " Hinge Screw
52409	1502	Feed Reverse Lever	with 158e and 51846
50339d	2034	" "	" "	" "	" " Hinge Screw
158e	1324	" "	" "	" "	" " Clamping Screw
52410	1502	" "	" "	" "	" " Friction Washer
51846	2034	" "	" "	" "	" " Roller and Stud

No.	Plate						
52386	2029	Feed Rock Shaft
29633	2032	" "	" "	" "	Crank with 157c
157c	1324	" "	" "	" "	" " Clamping Screw
50191c	2034	" "	" "	" "	" " Screw Centre (2)
1513j	1317	" "	" "	" "	" " Nut (2)
52387	—	Feed Rock Shaft, complete,	Nos. 29633 and 52386
25866	2031	Guide
50190b	2035	" "	Thumb Screw
127088	2040	Needle Bar (hollow)
127116	—	" "	" "	" "	127088 with 229d, 52306 and 52307
127230	2373	" "	" "	" "	Bushing (lower)
1133c	2035	" "	" "	" "	" (") Set Screw
52014	2039	" "	" "	" "	" (upper)
1133c	2035	" "	" "	" "	" (") Set Screw
52205	2066	" "	" "	" "	Connecting Link with 52207
52206	—	" "	" "	" "	" " 52205 with 24041
775e	2035	" "	" "	" "	" " Cap Screw
52207	—	" "	" "	" "	" " Lubricating Pad (wood)
24041	2066	" "	" "	" "	" " Stud with 207e
207e	1688	" "	" "	" "	" " Clamping Screw
127253	2373	" "	" "	" "	Crank with 1036c, 1037c and 1065c
1065c	2035	" "	" "	" "	" " Position Screw
52306	2032	" "	" "	" "	" " Thread Guard
229d	2035	" "	" "	" "	" " Screw
52307	2039	" "	" "	" "	Clamp with 51460f
51460f	2378	" "	" "	" "	" " Screw
*52201	2064	Oil Absorbent Wick
52202	2064	" "	" "	" "	52201, with 52203, for lower cavity in head of arm
*52203	2040	" "	" "	" "	" " Wire
127191	—	Oil Tube,	with 52184
127091	2040	" "	" "	" "	Bracket
127092	—	" "	" "	" "	" " 127091, with 127191, for oiling 52165
12391	2028	Presser Bar (hollow)
52338	1316	" "	" "	" "	Guide Bracket with 223c and 453c
453c	1316	" "	" "	" "	" " Set Screw
52016	1316	" "	" "	" "	" " Lifter
689c	1316	" "	" "	" "	" " Screw
1520r	1317	" "	" "	" "	" " Nut
12327	1316	" "	" "	" "	" " Lifting and Releasing Lever Bracket
127108	2029	" "	" "	" "	" " Spring
11170	1316	" "	" "	" "	" " Washer

No.	Plate					
7298	2032	Presser Foot Hinge Pin
52426	—	" " Plate
52390	—	" " Shank
26231	2032	" " Spring
52427	1529	Presser Foot (spring hinged), complete, Nos. 7298, 26231, 52390 and 52426
190d	1324	" " Screw
688j	1324	Pressure Regulating Thumb Screw
127095	2039	Rotating Hook with three 1253c
127096	—	" " 127095 with 127102 and four 1053e
*127239	—	" " 127096 with 40274, 127242 and three 1367d
127097	—	" " 127096 with 40274 and three 1367d (for agents only)
127240	—	" " 127239 with 52237
40264	2032	" " Bobbin
52235	—	" " " Case
52236	—	" " " " 52235 with 591f, 1380d and 40394
40393	—	" " " " Hinge Nos. 2974, 40392 and 125320
127242	2378	" " " " Holder
52018	2032	" " " " " Position Bracket
704j	1324	" " " " " " Screw
40392	2032	" " " " " Latch
125320	2066	" " " " " Lever
2974	2032	" " " " " Fulcrum Pin
2975	2032	" " " " " Spring
592e	1324	" " " " " Stop Screw
591f	1324	" " " " " Tension Regulating Screw
40394	2032	" " " " " Spring
1380d	2035	" " " " " Screw
52237	2032	" " " " " complete, Nos. 592e, 2975, 40393 and 52236
127241	—	" " " " " 52237 with 127242 (for agents only)
40274	2032	" " Section
1367d	2035	" " Screw
1253c	2035	" " Set Screw
127059	2065	" " Shaft
127073	2039	" " Bevel Gear with two 1259c
127007	2029	" " " " Case (two pieces) with 121e and 50234d
50234d	2035	" " " " Plug Screw
121e	1324	" " " " Screw
1259c	2035	" " " " Set Screw
127004	2039	" " Bushing (back)
127043	—	" " " " (") 127004 with 52045

No.	Plate					
52045	2032	Rotating Hook Shaft Bushing (back) Packing (cotton)
1143c	2035	" " " " (") Set Screw
127005	2039	" " " " (front)
127044	—	" " " " (") 127005 with 52045
142008	2373	" " " " (") Oil Cup
52045	2032	" " " " (") Packing (cotton)
1148c	2035	" " " " (") Set Screw
127102	2039	" " Thread Guard
1053e	2035	" " " " Screw
52337	1316	Slack Thread Regulator
223e	1316	" " " " Set Screw
2102	2032	Tension Disc
1560c	2034	" Regulating Thumb Nut
32572	2032	" Releasing Disc
43944	1316	" " Lever
12398	1316	" " " Hinge Pin
12329	1316	" " " Spring
32574	2032	" " Pin
2103	2032	" Spring
50304c	2034	" Stud
50305c	2035	" " Set Screw
52397	—	Tension , complete, Nos. 1560c, 2103, 32572, 32574, 50304c, 52083, 52394 and two 2102
52027	2032	Thread Guard (side of arm)
52454	2030	" Retainer
624c	2035	" " Set Screw
52215	—	Thread Take-up , complete, Nos. 11204, 52025 and 52217
52216	2373	Thread Take-up Crank
52217	—	" " " 52216 with 775c and 52206
1037c	2035	" " " Position Screw
1036c	2035	" " " Set Screw
52022	1503	Thread Take-up Lever with 52130
52023	2039	" " " Hinge Pin
52024	2039	" " " Link
11204	2033	" " " Hinge Pin
435c	1324	" " " " " Set Screw
52130	—	" " " Thread Eyelet Bushing
52025	—	Thread Take-up Lever , complete, Nos. 52022 to 52024
52394	2039	Thread Take-up Spring
52083	2032	" " " Regulator with 50305c
448c	1324	" " " " " Set Screw

No.	Plate	
20356	1529	Throat Plate , large needle hole, for 26603, 28360 and 121446 ...
20357	—	" " small " " " 26603, 28360 " 121446 ...
691f	1324	" " Screw (2) ...

NOTE.—Throat Plate No. 20356 is sent with this machine unless otherwise specified on order.

*15404	—	Trade Mark ...
15405	—	" " Rivet ...
44212	—	Drip Pan with four $\frac{3}{4}$ " wire nails ...

PARTS COMPLETE FOR No. 96K42 MACHINE

For Eyelet Row Stitching. Maximum Stitch 7 to the inch. Drop Feed.
Roller Presser. Knee Lifter.

No.	Plate	
*127213	—	Arm with 15404, two each 15405 and 56015 ...

NOTE.—Due to the accuracy required for gear alignment, Arm cannot be supplied separately and can only be sent out as a unit, Arm and Bed assembled.

16532	2032	Arm Dowel Pin (2) ...
52182	2066	" Oil Tube, with 52184, for oiling 52205 ...
52183	2064	" " " " 52184, " " 52024, for 127193 and 150460 ...
52180	2066	" " " (long) with 52184, for oiling 52022 ...
52185	2066	" " " (short) " 42367, " " 52022 ...
127187	2040	" " " with 42367, for oiling 127152, for 127193 and 150460 ...
52148	2039	" " " ...
52149	—	" " " 52148, with 52150, for oiling 127072 and 127074 ...
56015	2033	" " " for oiling 127058 (2) ...
52150	2039	" " " Packing (braided cotton) for 52149 ...
42367	2064	" " " " (" ") " 52185 and 127187 ...
52184	2064	" " " " (cotton wick) for 52180, 52182, 52183, and 127191 ...
116e	1324	" Screw (back) (2) ...
854e	2035	" " (front) (2) ...
127047	1815	Arm Shaft (horizontal) ...
88615	—	" " (") 127047 with 127253 ...
127072	2039	" " (") Bevel Gear with two 1036c ...
127070	2029	" " (") " " Case (two pieces) with 121e ...
121e	1324	" " (") " " " Screw ...
1036c	2035	" " (") " " " Set Screw ...
52191	2040	" " (") Flanged Bushing (back) ...
52192	—	" " (") " " (") 52191 with 52193 and 52194 ...
52193	2040	" " (") " " (") Oil Pad (braided cotton) ...
52194	2064	" " (") " " (") Oil Pad (felt) ...
446e	1324	" " (") " " (") Set Screw ...

No.	Plate	
52195	2040	Arm Shaft (horizontal) Flanged Bushing (front)
52196	—	" " (") " " (") 52195 with 52193 and 52198
52193	2040	" " (") " " (") Oil Pad (braided cotton)
52198	2064	" " (") " " (") Oil Pad (felt)
435c	1324	" " (") " " (") Set Screw ...
68350	2039	" " (") Front Bearing Oil Cup (spring lid) ...
144d	1324	" " (") Screw
127058	2028	" " (upright)
127073	2039	" " (") Bevel Gear (lower) with two 1259c ...
1259c	2035	" " (") " " (") Set Screw
127074	2039	" " (") " " (upper) with two 1259c ...
1259c	2035	" " (") " " (") Set Screw
52492	2039	" " (") Bushing (lower)
432c	1324	" " (") " " (") Set Screw
52493	2039	" " (") " (upper)
435c	1324	" " (") " (") Set Screw
127146	2066	" Side Cap
219d	1324	" " " Screw
127079	2028	" " Cover
50053d	2035	" " " Thumb Screw
52239	2064	" Spool Pin and Thread Eyelet
8879	1316	" " " Washer (cloth)
127192	2064	Arm Top Cover
127193	2064	" " " 127192 with 52183, 52239, 127187 and 127255
127255	2378	" " " Positioning Disc
158j	1324	" " " Screw
150459	2064	" " " Tension Bracket with 460c
158j	1324	" " " " " Screw
52239	2064	" " " " " Spool Pin
8879	1316	" " " " " " " Washer (cloth) ...
2455	1688	" " " " Disc
41593	1316	" " " " Spring
41594	1316	" " " " Stud
460c	1324	" " " " " Set Screw
41595	1316	" " " " Thread Guide
150460	2064	Arm Top Cover Tension Bracket , complete, Nos. 41593 to 41595, 52183, 52239, 127187, 127255, 150459 and two 2455

NOTE.—No. 150460 is supplied with this machine unless No. 127193 is specified on order.

No.	Plate	
52187	2065	Balance Wheel (power, disc) 2 $\frac{3}{8}$ " pulley, with two 448c ...
52081	—	" " (stand, heavy rim) 2 $\frac{3}{8}$ " pulley, with two 448c
52063	2029	" " Oil Cover
210d	1324	" " " Screw
448c	1324	" " Set Screw

NOTE.—No. 52187 is supplied with this machine unless otherwise specified on order.

*52383 — **Bed**

NOTE.—Due to the accuracy required for gear alignment, Bed cannot be supplied separately and can only be sent out as a unit, Arm and Bed assembled.

12431	—	Bed Slide
12432	2028	" " complete, Nos. 4307, 12431 and two 725c ...
4307	2028	" " Spring
725e	1324	" " " Screw
52051	—	Face Plate
176d	559	" " Screw
52053	2030	" " Thread Guard (lower)
226d	1324	" " " " (") Screw
52170	—	" " " " (upper)
226d	1324	" " " " (") Screw
50190d	2035	" " Thumb Screw
52052	2028	Face Plate , complete, Nos. 52051, 52053, 52170 and two 226d ...
52452	2028	Feed Bar
313c	1324	" " Screw Centre (2)
1519c	2034	" " " " Nut (2)
52165	2066	" Connecting Link
375c	1324	" " " Hinge Screw
1518e	2034	" " " " Nut
52073	2032	" " " " Stud
50083c	2035	" " " " Set Screw
12436	7699	Feed Dog
50117c	2035	" " Screw (2)
127202	—	Feed and Feed Lifting Eccentric with 448c, 1299c, 52210 and 52211
127225	—	" " " " " 127202 with 127152 ...
52210	—	" " " " " Lubricating Pad (wood, long)
52211	—	" " " " " " " (wood, short)
1299c	2040	" " " " " Position Screw
448c	1324	" " " " " Set Screw
127152	2066	" " " " " Sleeve

No.	Plate						
20284	2029	Feed Forked Connection
52393	—	" " "	20284 with 375c, 1518c and 52165
375c	1324	" " "	Hinge Screw
1518c	2034	" " "	" " Nut
52384	2029	Feed Lifting Rock Shaft
127156	2065	" " "	Connecting Rod with 127157 and two 966e
*127157	—	" " "	" " Cap
966e	2035	" " "	" " Screw
375c	1324	" " "	" " Hinge Screw
1518c	2034	" " "	" " " Nut
12376	2032	" " "	Crank with 157c and 1813
157c	1324	" " "	" Clamping Screw
1813	2034	" " "	" Roller and Stud
50191c	2034	" " "	Screw Centre (2)
1513j	1317	" " "	" " Nut (2)
52385	—	Feed Lifting Rock Shaft, complete, Nos. 12376 and 52384
52074	2033	Feed Regulator with 50083c
52118	—	" " "	52074 with 52073
52093	—	" " "	52118 with 818d
1128c	2035	" " "	Hinge Screw
818d	2035	" " "	Thumb Screw
52359	2033	" " "	" " Stop
52386	2029	Feed Rock Shaft
29633	2032	" " "	Crank with 157c
157c	1324	" " "	" Clamping Screw
50191c	2034	" " "	Screw Centre (2)
1513j	1317	" " "	" " Nut (2)
52387	—	Feed Rock Shaft, complete, Nos. 29633 and 52386
25866	2031	Guide
50190b	2035	" Thumb Screw
127088	2040	Needle Bar (hollow)
127131	—	" " "	127088 with 229d, 127045 and 127046
127230	2373	" " "	Bushing (lower)
1133c	2035	" " "	(") Set Screw
52014	2039	" " "	(upper)
1133c	2035	" " "	(") Set Screw
52205	2066	" " "	Connecting Link with 52207
52206	—	" " "	" 52205 with 24041
775e	2035	" " "	" Cap Screw
52207	—	" " "	" Lubricating Pad (wood)

No.	Plate						
24041	2066	Needle Bar	Connecting Stud with 207c
207c	1688	" " "	" Clamping Screw
127253	2373	" " "	Crank with 1036c, 1037c and 1065c
1065c	2035	" " "	" Position Screw
127045	2033	" " "	Thread Guard
229d	2035	" " "	" Screw
127046	2033	" "	Clamp with 51460f
51460f	2378	" " "	Screw
*52201	2064	Oil Absorbent Wick
52202	2064	" " "	52201, with 52203, for lower cavity in head of arm
*52203	2040	" " "	Wire
127191	—	Oil Tube, with 52184
127091	2040	" " "	Bracket
127092	—	" " "	127091, with 127191, for oiling 52165
12391	2028	Presser Bar (hollow)
52338	1316	" " "	Guide Bracket with 223c and 453c
453c	1316	" " "	" Set Screw
52016	1316	" " "	Lifter
689c	1316	" " "	Screw
1520r	1317	" " "	" Nut
12327	1316	" " "	Lifting and Releasing Lever Bracket
127108	2029	" " "	Spring
11170	1316	" " "	Washer
688j	1324	Pressure Regulating Thumb Screw
51928	2375	Roller (ball-bearing) $\frac{5}{8}$" diam., $\frac{3}{16}$" face, coarse, complete, Nos. 1528d, 201699f, 350104f and twenty-eight 206417, for 127271
51903	2375	Roller (ball-bearing), $\frac{7}{8}$" diam., $\frac{9}{16}$" face, fine, complete, Nos. 1528d, 201699f, 350104f and twenty-eight 206417, for 62867
51899	2375	Roller (ball-bearing), $\frac{7}{8}$" diam., $\frac{3}{8}$" face, fine, complete, Nos. 1528d, 201699f, 350104f and twenty-eight 206417, for 62863
127273	—	Roller Arm for 127271
62897	—	" " "	62867
62856	—	" " "	62863
440f	2378	" " "	Adjusting Screw
1547j	2378	" " "	" Nut
80297	2375	" " "	Bracket
316f	1324	" " "	Screw Centre
1547j	2378	" " "	" " Nut

No.	Plate						
2205	2378	Roller Arm Lock Spring
176d	559	" " " " Screw
1549j	2378	" " " " Nut
206417	—	" Ball, $\frac{1}{16}$ " diam.
201699f	2378	" " Retaining Nut
350104f	2378	" Screw
1528d	2378	" " Nut
127271	2375	Roller Presser (ball-bearing), $\frac{5}{8}$ " diam., $\frac{3}{16}$ " face, coarse, complete, Nos. 176d, 440f, 1549j, 2205, 51928, 80297, 127273, two 316f and three 1547j
62867	2375	Roller Presser (ball-bearing), $\frac{1}{2}$ " diam., $\frac{3}{16}$ " face, fine, complete, Nos. 176d, 440f, 1549j, 2205, 51903, 62897, 80297, two 316f and three 1547j
62863	2375	Roller Presser (ball-bearing), $\frac{7}{8}$ " diam., $\frac{3}{16}$ " face, fine, complete, Nos. 176d, 440f, 1549j, 2205, 51899, 62856, 80297, two 316f and three 1547j
176d	559	Roller Presser Screw
127095	2039	Rotating Hook with three 1253c
127096	—	" " 127095 with 127102 and four 1053c
*127239	—	" " 127096 " 40274, 127242 and three 1367d
127097	—	" " 127096 " 40274 and three 1367d (for agents only)
127240	—	" " 127239 " 52237
40264	2032	" " Bobbin
52235	—	" " " Case
52236	—	" " " 52235 with 591f, 1380d and 40394
40393	—	" " " Hinge, Nos. 2974, 40392 and 125320
127242	2378	" " " Holder
52018	2032	" " " " Position Bracket
704j	1324	" " " " " " Screw
40392	2032	" " " " Latch
125320	2066	" " " " Lever
2974	2032	" " " " Fulcrum Pin
2975	2032	" " " " Spring
592e	1324	" " " " Stop Screw
591f	1324	" " " " Tension Regulating Screw
40394	2032	" " " " Spring
1380d	2035	" " " " Screw
52237	2032	" " " " complete, Nos. 592e, 2975, 40393 and 52236
127241	—	" " " " 52237 with 127242 (for agents only)
40274	2032	" " Section
1367d	2035	" " " Screw
1253c	2035	" " Set Screw

No.	Plate						
127059	2065	Rotating Hook Shaft
127073	2039	" " " Bevel Gear with two 1259c
127007	2029	" " " " " Case (two pieces) with 121e and 50234d
50234d	2035	" " " " " Plug Screw
121e	1324	" " " " " Screw
1259c	2035	" " " " " Set Screw
127004	2039	" " " Bushing (back)
127043	—	" " " " (") 127004 with 52045
52045	2032	" " " " (") Packing (cotton)
1143c	2035	" " " " (") Set Screw
127005	2039	" " " " (front)
127044	—	" " " " (") 127005 with 52045
142008	2373	" " " " (") Oil Cup
52045	2032	" " " " (") Packing (cotton)
1148c	2035	" " " " (") Set Screw
127102	2039	" " Thread Guard
1053e	2035	" " " " Screw
52337	1316	Slack Thread Regulator
223c	1316	" " " Set Screw
52046	1815	Spool Holder Base
389d	2035	" " " Screw
204296	1815	" " " Wire
200079h	2034	" " " Hinge Screw
52047	1815	Spool Holder, complete, Nos. 52046, 200079h and 204296
2102	2032	Tension Disc
1560c	2034	" Regulating Thumb Nut
32572	2032	" Releasing Disc
43944	1316	" " Lever
12398	1316	" " " Hinge Pin
12329	1316	" " " Spring
32574	2032	" " Pin
2103	2032	" Spring
50304c	2034	" Stud
50305c	2035	" " Set Screw
52397	—	Tension, complete, Nos. 1560c, 2103, 32572, 32574, 50304c, 52083, 52394 and two 2102
52027	2032	Thread Guard (side of arm)
52454	2030	" Retainer
624c	2035	" " Set Screw
52215	—	Thread Take-up, complete, Nos. 11204, 52025 and 52217

No. 96K42 MACHINE PARTS

No.	Plate				
52216	2373	Thread Take-up Crank			
52217	—	"	"	"	52216 with 775c and 52206
1037c	2035	"	"	"	Position Screw
1036c	2035	"	"	"	Set Screw
52022	1503	Thread Take-up Lever with 52130			
52023	2039	"	"	"	Hinge Pin
52024	2039	"	"	"	Link
11204	2033	"	"	"	" Hinge Pin
435c	1324	"	"	"	" " " Set Screw
52130	—	"	"	"	Thread Eyelet Bushing
52025	—	Thread Take-up Lever , complete, Nos. 52022 to 52024			
52394	2039	Thread Take-up Spring			
52083	2032	"	"	"	Regulator with 50305c
448c	1324	"	"	"	" Set Screw
24444	—	Throat Plate , large oblong needle hole, for 12436			
24443	7699	"	"	small "	" " " 12436
691f	1324	"	"	"	Screw (2)

NOTE.—Throat Plate No. 24444 is sent with this machine unless otherwise specified on order.

*15404	—	Trade Mark			
15405	—	"	"	"	Rivet
44212	—	Drip Pan with four $\frac{3}{8}$ " wire nails			

PARTS COMPLETE FOR No. 96K43 MACHINE

For Stitching Top Facings to Shoe Lining, also for Side and Back Stays.
Maximum Stitch 7 to the inch. Drop Feed. Roller Presser. Knee Lifter.

No.	Plate				
*127215	—	Arm with 15404, two each 15405 and 56015			
NOTE.—Due to the accuracy required for gear alignment, Arm cannot be supplied separately and can only be sent out as a unit, Arm and Bed assembled.					
16532	2032	Arm Dowel Pin (2)			
52182	2066	"	"	"	Oil Tube, with 52184, for oiling 52205
52183	2064	"	"	"	" " " " 52184, " " 52024, for 127193 and 150460
52180	2066	"	"	"	(long) with 52184, for oiling 52022
52185	2066	"	"	"	(short) " 42367, " " 52022
127187	2040	"	"	"	with 42367, for oiling 127152, for 127193 and 150460
52148	2039	"	"	"	...
52149	—	"	"	"	52148, with 52150, for oiling 127072 and 127074
56015	2033	"	"	"	for oiling 127058 (2)
52150	2039	"	"	"	Packing (braided cotton) for 52149
42367	2064	"	"	"	" (" ") " 52185 and 127187
52184	2064	"	"	"	" (cotton wick) for 52180, 52182, 52183, and 127191
116c	1324	"	"	"	Screw (back) (2)
854c	2035	"	"	"	" (front) (2)
127047	1815	Arm Shaft (horizontal)			
88615	—	"	"	"	(") 127047 with 127253
127072	2039	"	"	"	(") Bevel Gear with two 1036c
127070	2029	"	"	"	" " Case (two pieces) with 121c
121c	1324	"	"	"	" " " Screw
1036c	2035	"	"	"	" " " Set Screw
52191	2040	"	"	"	(") Flanged Bushing (back)
52192	—	"	"	"	" " (") 52191, with 52193 and 52194
52193	2040	"	"	"	" " (") Oil Pad (braided cotton)
52194	2064	"	"	"	" " (") Oil Pad (felt)
446c	1324	"	"	"	" " (") Set Screw
52195	2040	"	"	"	" " (front)
52196	—	"	"	"	" " (") 52195 with 52193 and 52198

No.	Plate	
52193	2040	Arm Shaft (horizontal) Flanged Bushing (front) Oil Pad (braided cotton)
52198	2064	" " (") " " (") Oil Pad (felt)
435c	1324	" " (") " " (") Set Screw ...
68350	2039	" " (") Front Bearing Oil Cup (spring lid) ...
144d	1324	" " (") Screw ...
127058	2028	" " (upright) ...
127073	2039	" " (") Bevel Gear (lower) with two 1259c ...
1259c	2035	" " (") " " (") Set Screw ...
127074	2039	" " (") " " (upper) with two 1259c ...
1259c	2035	" " (") " " (") Set Screw ...
52492	2039	" " (") Bushing (lower) ...
432c	1324	" " (") " (") Set Screw ...
52493	2039	" " (") " (upper) ...
435c	1324	" " (") " (") Set Screw ...
127146	2066	" Side Cap ...
219d	1324	" " " Screw ...
127079	2028	" " Cover ...
50053d	2035	" " " Thumb Screw ...
52239	2064	" Spool Pin and Thread Eyelet ...
8879	1316	" " " Washer (cloth) ...
127192	2064	Arm Top Cover ...
127193	2064	" " " 127192 with 52183, 52239, 127187 and 127255
127255	2378	" " " Positioning Disc ...
158j	1324	" " " Screw ...
150459	2064	" " " Tension Bracket with 460c ...
158j	1324	" " " " " Screw ...
52239	2064	" " " " " Spool Pin ...
8879	1316	" " " " " " Washer (cloth) ...
2455	1688	" " " " " Disc ...
41593	1316	" " " " " Spring ...
41594	1316	" " " " " Stud ...
460c	1324	" " " " " Set Screw ...
41595	1316	" " " " " Thread Guide ...
150460	2064	Arm Top Cover Tension Bracket , complete, Nos. 41593 to 41595, 52183, 52239, 127187, 127255, 150459 and two 2455

NOTE.—No. 150460 is supplied with this machine unless No. 127193 is specified on order.

52187	2065	Balance Wheel (power, disc) $2\frac{3}{8}$ " pulley, with two 448c ...
52081	—	" " (stand, heavy rim) $2\frac{3}{8}$ " pulley, with two 448c
52063	2029	" " Oil Cover ...
210d	1324	" " " " Screw ...
448c	1324	" " Set Screw ...

NOTE.—No. 52187 is supplied with this machine unless otherwise specified on order.

No.	Plate	
*52383	—	Bed ...
NOTE.—Due to the accuracy required for gear alignment, Bed cannot be supplied separately and can only be sent out as a unit, Arm and Bed assembled.		
52417	—	Bed Slide ...
52418	2030	" " complete, Nos. 52417, 52464 and two 665e ...
52464	2033	" " Spring ...
665e	2035	" " " Screw ...
120063	7703	Edge Guide ...
50190b	2035	" " Thumb Screw ...
52051	—	Face Plate ...
176d	559	" " Screw ...
52053	2030	" " Thread Guard (lower) ...
226d	1324	" " " " (") Screw ...
52170	—	" " " " (upper) ...
226d	1324	" " " " (") Screw ...
50190d	2035	" " Thumb Screw ...
52052	2028	Face Plate , complete, Nos. 52051, 52053, 52170 and two 226d ...
52452	2028	Feed Bar ...
313c	1324	" " Screw Centre (2) ...
1519c	2034	" " " " Nut (2) ...
52165	2066	" Connecting Link ...
375c	1324	" " " Hinge Screw ...
1518c	2034	" " " " " Nut ...
52073	2032	" " " " Stud ...
50083c	2035	" " " " " Set Screw ...
12436	7699	Feed Dog ...
50117c	2035	" " Screw (2) ...
127202	—	Feed and Feed Lifting Eccentric with 448c, 1299c, 52210 and 52211
127225	—	" " " " " 127202 with 127152 ...
52210	—	" " " " " Lubricating Pad (wood, long) ...
52211	—	" " " " " " " (" short) ...
1299c	2040	" " " " " Position Screw ...
448c	1324	" " " " " Set Screw ...
127152	2066	" " " " " Sleeve ...
20284	2029	Feed Forked Connection ...
52393	—	" " " 20284 with 375c, 1518c and 52165 ...
375c	1324	" " " Hinge Screw ...
1518c	2034	" " " " " Nut ...

No.	Plate	
52384	2029	Feed Lifting Rock Shaft
127156	2065	" " " " Connecting Rod with 127157 and two 966e
*127157	—	" " " " " " Cap
966e	2035	" " " " " " " Screw
375c	1324	" " " " " " " Hinge Screw
1518e	2034	" " " " " " " " Nut
12376	2032	" " " " " " Crank with 157c and 1813
157c	1324	" " " " " " " Clamping Screw
1813	2034	" " " " " " " Roller and Stud
50191c	2034	" " " " " " " Screw Centre (2)
1513j	1317	" " " " " " " Nut (2)
52385	—	Feed Lifting Rock Shaft, complete, Nos. 12376 and 52384
52074	2033	Feed Regulator with 50083c
52118	—	" " " 52074 with 52073
52093	—	" " " 52118 with 818d
1128e	2035	" " " Hinge Screw
818d	2035	" " " Thumb Screw
52359	2033	" " " " " Stop
52386	2029	Feed Rock Shaft
29633	2032	" " " " Crank with 157c
157c	1324	" " " " " Clamping Screw
50191c	2034	" " " " " Screw Centre (2)
1513j	1317	" " " " " Nut (2)
52387	—	Feed Rock Shaft, complete, Nos. 29633 and 52386
127088	2040	Needle Bar (hollow)
127132	—	" " " 127088 with 229d, 52307 and 52415
127230	2373	" " " Bushing (lower)
1133c	2035	" " " " (") Set Screw
52014	2039	" " " " (upper)
1133c	2035	" " " " (") Set Screw
52205	2066	" " " Connecting Link with 52207
52206	—	" " " " 52205 with 24041
775c	2035	" " " " " Cap Screw
52207	—	" " " " " Lubricating Pad (wood)
24041	2066	" " " " " Stud with 207e
207e	1688	" " " " " Clamping Screw
127253	2373	" " " Crank with 1036c, 1037c and 1065c
1065c	2035	" " " " " Position Screw
52415	2033	" " " Thread Guard
229d	2035	" " " " " Screw
52307	2039	" " " Clamp with 51460f
51460f	2378	" " " " " Screw

No.	Plate	
*52201	2064	Oil Absorbent Wick
52202	2064	" " " 52201, with 52203, for lower cavity in head of arm
*52203	2040	" " " " Wire
127191	—	Oil Tube, with 52184
127091	2040	" " " Bracket
127092	—	" " " 127091, with 127191, for oiling 52165
12391	2028	Presser Bar (hollow)
52338	1316	" " " Guide Bracket with 223c and 453c
453c	1316	" " " " " Set Screw
52016	1316	" " " Lifter
689c	1316	" " " " " Screw
1520r	1317	" " " " " Nut
12327	1316	" " " Lifting and Releasing Lever Bracket
127108	2029	" " " Spring
11170	1316	" " " " " Washer
688j	1324	Pressure Regulating Thumb Screw
51928	2375	Roller (ball-bearing), $\frac{5}{8}$" diam., $\frac{3}{8}$" face, coarse, complete, Nos. 1528d, 201699f, 350104f and twenty-eight 206417, for 127271
51903	2375	Roller (ball-bearing), $\frac{7}{8}$" diam., $\frac{3}{4}$" face, fine, complete, Nos. 1528d, 201699f, 350104f and twenty-eight 206417, for 62867
51927	2375	Roller (ball-bearing), 1$\frac{1}{4}$" diam., $\frac{11}{16}$" face, coarse, complete, Nos. 1528d, 1766c, 50553c and twenty-four 16232, for 127272 ...
127273	—	Roller Arm for 127271
62897	—	" " " 62867
127274	—	" " " 127272
440f	2378	" " " Adjusting Screw
1547j	2378	" " " " " Nut
80297	2375	" " " Bracket
316f	1324	" " " " " Screw Centre
1547j	2378	" " " " " " Nut
2205	2378	" " " Lock Spring
176d	559	" " " " " Screw
1549j	2378	" " " " " " Nut
206417	—	" " " Ball, $\frac{1}{16}$ " diam., for 51903 and 51928
16232	—	" " " $\frac{3}{32}$ " diam., for 51927
201699f	2378	" " " Retaining Nut for 51903 and 51928
1766c	2378	" " " " " 51927
350104f	2378	" " " Screw for 51903 and 51928
50553c	2035	" " " " 51927
1528d	2378	" " " Nut

No. 96K43 MACHINE PARTS

No.	Plate	
127271	2375	Roller Presser (ball-bearing, $\frac{3}{8}$ " diam., $\frac{3}{16}$ " face, coarse, complete, Nos. 176d, 440f, 1549j, 2205, 51928, 80297, 127273, two 316f and three 1547j
62867	2375	Roller Presser (ball-bearing), $\frac{7}{8}$ " diam., $\frac{3}{16}$ " face, fine, complete, Nos. 176d, 440f, 1549j, 2205, 51903, 62897, 80297, two 316f and three 1547j
127272	2375	Roller Presser (ball-bearing), $1\frac{1}{4}$ " diam., $\frac{1}{4}$ " face, coarse, complete, Nos. 176d, 440f, 1549j, 2205, 51927, 80297, 127274, two 316f and three 1547j
176d	559	Roller Presser Screw
127095	2039	Rotating Hook with three 1253c
127096	—	" " 127095 with 127102 and four 1053e
*127239	—	" " 127096 with 40274, 127242 and three 1367d
127097	—	" " 127096 " 40274, and three 1367d (for agents only)
127240	—	" " 127239 with 52237
40264	2032	" " Bobbin
52235	—	" " Case
52236	—	" " " 52235 with 591f, 1380d and 40394
40393	—	" " " " Hinge, Nos. 2974, 40392 and 125320
127242	2378	" " " " Holder
52018	2032	" " " " Position Bracket
704j	1324	" " " " " Screw
40392	2032	" " " " Latch
125320	2066	" " " " Lever
2974	2032	" " " " Fulcrum Pin
2975	2032	" " " " Spring
592e	1324	" " " " Stop Screw
591f	1324	" " " " Tension Regulating Screw
40394	2032	" " " " Spring
1380d	2035	" " " " Screw
52237	2032	" " " " complete, Nos. 592e, 2975, 40393 and 52236
127241	—	" " " " 52237 with 127242 (for agents only)
40274	2032	" " Section
1367d	2035	" " Screw
1253c	2035	" " Set Screw
127059	2065	" " Shaft
127073	2039	" " " Bevel Gear with two 1259c
127007	2029	" " " " Case (two pieces) with 121e and 50234d
50234d	2035	" " " " Plug Screw
121e	1324	" " " " Screw

No. 96K43 MACHINE PARTS

No.	Plate	
1259c	2035	Rotating Hook Shaft Bevel Gear Set Screw
127004	2039	" " " Bushing (back)
127043	—	" " " " (") 127004 with 52045
52045	2032	" " " " (") Packing (cotton)
1143c	2035	" " " " (") Set Screw
127005	2039	" " " " (front)
127044	—	" " " " (") 127005 with 52045
142008	2373	" " " " (") Oil Cup
52045	2032	" " " " (") Packing (cotton)
1148c	2035	" " " " (") Set Screw
127102	2039	" " Thread Guard
1053e	2035	" " " " Screw
52337	1316	Slack Thread Regulator
223c	1316	" " " Set Screw
52046	1815	Spool Holder Base
389d	2035	" " " Screw
204296	1815	" " " Wire
200079h	2034	" " " Hinge Screw
52047	1815	Spool Holder , complete, Nos. 52046, 200079h and 204296
120067	7704	Strip Guide
120068	7704	" " (adjustable) with 291f
120069	7704	" " (") Bar
120070	7704	" " (") " Plate
50169d	7704	" " (") " Screw
50169d	7704	" " (") " Screw
291f	7704	" " (") Thumb Screw
120071	7704	Strip Guide (adjustable), complete, Nos. 120067 to 120070 and six 50169d
1423d	7704	" " Screw
2102	2032	Tension Disc
1560c	2034	" Regulating Thumb Nut
32572	2032	" Releasing Disc
43944	1316	" " Lever
12398	1316	" " " Hinge Pin
12329	1316	" " " Spring
32574	2032	" " Pin
2103	2032	" Spring
50304c	2034	" Stud
50305c	2035	" " Set Screw
52397	—	Tension , complete, Nos. 1560c, 2103, 32572, 32574, 50304c, 52083, 52394 and two 2102

No.	Plate					
52027	2032	Thread Guard (side of arm)
52454	2030	" Retainer
624c	2035	" " Set Screw
52215	—	Thread Take-up , complete, Nos. 11204, 52025 and 52217
52216	2373	Thread Take-up Crank
52217	—	" " " 52216 with 775c and 52206
1037c	2035	" " " Position Screw
1036c	2035	" " " Set Screw
52022	1503	Thread Take-up Lever with 52130
52023	2039	" " " Hinge Pin
52024	2039	" " " Link
11204	2033	" " " " Hinge Pin
435c	1324	" " " " " Set Screw
52130	—	" " " Thread Eyelet Bushing
52025	—	Thread Take-up Lever , complete, Nos. 52022 to 52024
52394	2039	Thread Take-up Spring
52083	2032	" " " Regulator with 50305c
448c	1324	" " " " Set Screw
12438	7699	Throat Plate , large oblong needle hole, for 12436
20192	—	" " small " " " " 12436
691f	1324	" " Screw (2)

NOTE.—Throat Plate No. 12438 is sent with this machine unless otherwise specified on order.

*15404	—	Trade Mark
15405	—	" " Rivet
44212	—	Drip Pan with four $\frac{3}{8}$ " wire nails

PARTS COMPLETE FOR No. 96K44 MACHINE

For Overalls, Heavy Overcoats, Khaki and other heavy materials. Maximum Stitch 5 to the inch. Reversible Feed. Lift of Presser Foot $\frac{7}{16}$ ". Knee Lifter.

No.	Plate					
*127214	—	Arm with 15404, two each 15405 and 56015
<i>NOTE.—Due to the accuracy required for gear alignment, Arm cannot be supplied separately and can only be sent out as a unit, Arm and Bed assembled.</i>						
16532	2032	Arm Dowel Pin (2)
52182	2066	" Oil Tube, with 52184, for oiling 52205
52183	2064	" " " " 52184, " " 52024, for 127193 and 150460
52180	2066	" " " (long), with 52184, for oiling 52022
52185	2066	" " " (short), " 42367, " " 52022
127187	2040	" " " with 42367, for oiling 127152, for 127193 and 150460
52148	2039	" " "
52149	—	" " " 52148, with 52150, for oiling 127072 and 127074
56015	2033	" " " for oiling 127058 (2)
52150	2039	" " " Packing (braided cotton)
42367	2064	" " " " (" ") for 52185 and 127187
52184	2064	" " " " (cotton wick) for 52180, 52182, 52183, and 127191
116c	1324	" Screw (back) (2)
854c	2035	" " (front) (2)
52382	2372	Arm Shaft (horizontal)
88618	—	" " (") 52382 with 127222
127072	2039	" " (") Bevel Gear with two 1036c
127070	2029	" " (") " " Case (two pieces) with 121e
121e	1324	" " (") " " " Screw
1036c	2035	" " (") " " Set Screw
52191	2040	" " (") Flanged Bushing (back)
52192	—	" " (") " " (") 52191 with 52193 and 52194
52193	2040	" " (") " " (") Oil Pad (braided cotton)
52194	2064	" " (") " " (") Oil Pad (felt)
446c	1324	" " (") " " (") Set Screw
52195	2040	" " (") " " (front)

No.	Plate	
52196	—	Arm Shaft (horizontal) Flanged Bushing (front) 52195 with
		52193 and 52198
52193	2040	" " (") " " (") Oil Pad
		(braided cotton)
52198	2064	" " (") " " (") Oil Pad (felt)
435c	1324	" " (") " " (") Set Screw
68350	2039	" " (") Front Bearing Oil Cup (spring lid)
144d	1324	" " (") Screw
127058	2028	" " (upright)
127073	2039	" " (") Bevel Gear (lower) with two 1259c
1259c	2035	" " (") " " (") Set Screw
127074	2039	" " (") " " (upper) with two 1259c
1259c	2035	" " (") " " (") Set Screw
52492	2039	" " (") Bushing (lower)
432c	1324	" " (") " (") Set Screw
52493	2039	" " (") " (upper)
435c	1324	" " (") " (") Set Screw
127146	2066	" Side Cap
219d	1324	" " " Screw
127079	2028	" " Cover
50053d	2035	" " " Thumb Screw
52239	2064	" Spool Pin and Thread Eyelet
8879	1316	" " " Washer (cloth)
127192	2064	Arm Top Cover
127193	2064	" " " 127192 with 52183, 52239, 127187 and 127255
127255	2378	" " " Positioning Disc
158j	1324	" " " Screw
150459	2064	" " " Tension Bracket with 460c
158j	1324	" " " " " Screw
52239	2064	" " " " " Spool Pin
8879	1316	" " " " " " " Washer (cloth)
2455	1688	" " " " " Disc
41593	1316	" " " " " Spring
41594	1316	" " " " " Stud
460c	1324	" " " " " Set Screw
41595	1316	" " " " " Thread Guide
150460	2064	Arm Top Cover Tension Bracket, complete, Nos. 41593 to
		41595, 52183, 52239, 127187, 127255, 150459 and two 2455

NOTE.—No. 150460 is supplied with this machine unless No. 127193 is specified on order.

52187	2065	Balance Wheel (power, disc) $2\frac{3}{16}$ " pulley, with two 448c
52081	—	" " (stand, heavy rim), $2\frac{11}{16}$ " pulley, with two 448c
52063	2029	" " Oil Cover
210d	1324	" " " " Screw
448c	1324	" " " Set Screw

NOTE.—No. 52187 is supplied with this machine unless otherwise specified on order.

No.	Plate	
*52383	—	Bed
NOTE.—Due to the accuracy required for gear alignment, Bed cannot be supplied separately and can only be sent out as a unit, Arm and Bed assembled.		
12431	—	Bed Slide
12432	2028	" " complete, Nos. 4307, 12431 and two 725e
4307	2028	" " Spring
725e	1324	" " " Screw
52051	—	Face Plate
176d	559	" " Screw
52053	2030	" " Thread Guard (lower)
226d	1324	" " " " (") Screw
52170	—	" " " " (upper)
226d	1324	" " " " (") Screw
50190d	2035	" " Thumb Screw
52052	2028	Face Plate, complete, Nos. 52051, 52053, 52170 and two 226d
52452	2028	Feed Bar
313c	1324	" " Screw Centre (2)
1519c	2034	" " " " Nut (2)
52165	2066	" Connecting Link
375c	1324	" " " Hinge Screw
1518c	2034	" " " " " Nut
52073	2032	" " " " Stud
50083c	2035	" " " " " Set Screw
121446	2376	Feed Dog (spiked teeth)
50117c	2035	" " Screw (2)
127247	2373	Feed and Feed Lifting Eccentric with 448c, 1299c, 52210 and 52211
127248	—	" " " " " 127247 with 127152
52210	—	" " " " " Lubricating Pad (wood, long)
52211	—	" " " " " " " (" short)
1299c	2040	" " " " " Position Screw
448c	1324	" " " " " Set Screw
127152	2066	" " " " " Sleeve
52407	2029	Feed Forked Connection
52451	—	" " " 52407 with 375c, 1518c and 52165
375c	1324	" " " Hinge Screw
1518c	2034	" " " " " Nut
52384	2029	Feed Lifting Rock Shaft
127156	2065	" " " " Connecting Rod with 127157 and two

No.	Plate	
*127157	—	Feed Lifting Rock Shaft Connecting Rod Cap
966e	2035	" " " " " " " " Screw
375c	1324	" " " " " " " " Hinge Screw
1518e	2034	" " " " " " " " Nut
52434	1502	" " " " " " Crank with 157c and 1813
157c	1324	" " " " " " " " Clamping Screw
1813	2034	" " " " " " " " Roller and Stud
50191c	2034	" " " " " " " " Screw Centre (2)
1513j	1317	" " " " " " " " Nut (2)
52433	—	Feed Lifting Rock Shaft, complete, Nos. 52384 and 52434
50338e	2034	Feed Regulating Screw Stud
56032	1502	" " " " " " Head with 56033
50193j	2035	" " " " " " " " Cap Screw
56033	—	" " " " " " " " Stop Pin
56034	1502	" " " " " " " " Lock Pin
56035	1502	" " " " " " " " Spring
52408	1502	Feed Regulator with 50083e
52411	—	" " " " 52408 with 52073
1128e	2035	" " " " " " Hinge Screw
52409	1502	Feed Reverse Lever with 158e and 51846
50339d	2034	" " " " " " Hinge Screw
158e	1324	" " " " " " " " Clamping Screw
52410	1502	" " " " " " " " Friction Washer
51846	2034	" " " " " " " " Roller and Stud
52386	2029	Feed Rock Shaft
29633	2032	" " " " " " Crank with 157c
157c	1324	" " " " " " " " Clamping Screw
50191c	2034	" " " " " " " " Screw Centre (2)
1513j	1317	" " " " " " " " Nut (2)
52387	—	Feed Rock Shaft, complete, Nos. 29633 and 52386
25866	2031	Guide
50190b	2035	" " Thumb Screw
127088	2040	Needle Bar (hollow)
127116	—	" " " " 127088 with 229d, 52306 and 52307
127305	2373	" " " " " " Bushing (lower)
1133c	2035	" " " " " " (") Set Screw
52448	1503	" " " " " " (upper)
1133c	2035	" " " " " " (") Set Screw
52205	2066	" " " " " " Connecting Link with 52207
52206	—	" " " " " " 52205 with 24041

No.	Plate	
775e	2035	Needle Bar Connecting Link Cap Screw
52207	—	" " " " " " Lubricating Pad (wood)
24041	2066	" " " " " " Stud with 207e
207e	1688	" " " " " " Clamping Screw
127222	2373	" " " " " " Crank with 1036c, 1037c and 1065c
1065c	2035	" " " " " " Position Screw
52306	2032	" " " " " " Thread Guard
229d	2035	" " " " " " Screw
52307	2039	" " " " " " Clamp with 51460f
51460f	2378	" " " " " " Screw
*52201	2064	Oil Absorbent Wick
52202	2064	" " " " " 52201, with 52203, for lower cavity in head of arm
*52203	2040	" " " " " Wire
127191	—	Oil Tube, with 52181
127091	2040	" " " " " Bracket
127092	—	" " " " " 127091, with 127191, for oiling 52165
12391	2028	Presser Bar (hollow)
52338	1316	" " " " " Guide Bracket with 223c and 453c
453c	1316	" " " " " " Set Screw
5990	1503	" " " " " Lifter
689c	1316	" " " " " Screw
1520r	1317	" " " " " " Nut
12327	1316	" " " " " Lifting and Releasing Lever Bracket
127108	2029	" " " " " Spring
11170	1316	" " " " " Washer
7298	2032	Presser Foot Hinge Pin
52437	—	" " " " " Plate
52438	—	" " " " " Shank
26231	2032	" " " " " Spring
52439	1502	Presser Foot (spring hinged), complete, Nos. 7298, 26231, 52437 and 52438
190d	1324	" " " " " Screw
688j	1324	Pressure Regulating Thumb Screw
127095	2039	Rotating Hook with three 1253c
127096	—	" " " " " 127095 with 127102 and four 1053c
*127239	—	" " " " " 127096 with 40274, 127242 and three 1367d
127097	—	" " " " " 127096 with 40274 and three 1367d (for agents only)
127240	—	" " " " " 127239 with 52237

No.	Plate						
40264	2032	Rotating Hook Bobbin ...					
52235	—	" " " Case					
52236	—	" " " " 52235 with 591f, 1380d and 40394					
40393	—	" " " " Hinge, Nos. 2974, 40392 and 125320					
127242	2378	" " " " Holder					
52018	2032	" " " " " Position Bracket					
704j	1324	" " " " " " " Screw					
40392	2032	" " " " " Latch					
125320	2066	" " " " " Lever					
2974	2032	" " " " " " Fulcrum Pin					
2975	2032	" " " " " Spring					
592c	1324	" " " " " Stop Screw					
591f	1324	" " " " " Tension Regulating Screw					
40394	2032	" " " " " Spring					
1380d	2035	" " " " " " Screw					
52237	2032	" " " " " complete, Nos. 592c, 2975, 40393 and 52236					
127241	—	" " " " " 52237 with 127242 (for agents only)					
40274	2032	" " Section					
1367d	2035	" " " Screw					
1253c	2035	" " Set Screw					
127059	2065	" " Shaft					
127073	2039	" " " Bevel Gear with two 1259c					
127007	2029	" " " " " Case (two pieces) with 121e and 50234d					
50234d	2035	" " " " " " Plug Screw					
121e	1324	" " " " " " Screw					
1259c	2035	" " " " " " Set Screw					
127004	2039	" " " " " Bushing (back)					
127043	—	" " " " " (") 127004 with 52045					
52045	2032	" " " " " (") Packing (cotton)					
1143c	2035	" " " " " (") Set Screw					
127005	2039	" " " " " (front)					
127044	—	" " " " " (") 127005 with 52045					
142008	2373	" " " " " (") Oil Cup					
52045	2032	" " " " " (") Packing (cotton)					
1148c	2035	" " " " " (") Set Screw					
127102	2039	" " Thread Guard					
1053e	2035	" " " " " Screw					
52337	1316	Slack Thread Regulator ...					
223c	1316	" " " " " Set Screw					
2102	2032	Tension Disc ...					
1560c	2034	" Regulating Thumb Nut					

No.	Plate						
32572	2032	Tension Releasing Disc ...					
52445	1503	" " Lever					
12398	1316	" " " Hinge Pin					
12329	1316	" " " Spring					
32574	2032	" " Pin					
2103	2032	" Spring					
50304c	2034	" Stud					
50305c	2035	" " Set Screw					
52397	—	Tension, complete, Nos. 1560c, 2103, 32572, 32574, 50304c, 52083, 52394 and two 2102 ...					
52027	2032	Thread Guard (side of arm)					
52454	2030	" Retainer					
624c	2035	" " Set Screw					
127289	—	Thread Take-up, complete, Nos. 11204, 52025 and 127291 ...					
127290	2373	Thread Take-up Crank ...					
127291	—	" " " 127290 with 775c and 52206					
1037c	2035	" " " Position Screw					
1036c	2035	" " " Set Screw					
52022	1503	Thread Take-up Lever with 52130					
52023	2039	" " " Hinge Pin					
52024	2039	" " " Link					
11204	2033	" " " " Hinge Pin					
435c	1324	" " " " " " Set Screw					
52130	—	" " " Thread Eyelet Bushing					
52025	—	Thread Take-up Lever, complete, Nos. 52022 to 52024 ...					
52394	2039	Thread Take-up Spring ...					
52083	2032	" " " Regulator with 50305c					
448c	1324	" " " " " Set Screw					
26605	1502	Throat Plate, large needle hole, for 121446 ...					
26606	—	" " small " " " 121446					
691f	1324	" " " Screw (2)					
<i>NOTE.—No. 26605 is sent with this machine unless otherwise specified on order.</i>							
*15404	—	Trade Mark ...					
15405	—	" " Rivet					
44212	—	Drip Pan with four $\frac{3}{4}$ " wire nails ...					

PARTS COMPLETE FOR No. 96K45 MACHINE

**For Light, Medium and Heavy Clothing and other work in Cloth. Maximum
Stitch 5½ to the inch. Drop Feed. Vertical Trimmer. Knee Lifter.**

No.	Plate	
*127216		Arm with 15404, two each 15405 and 56015

*NOTE:-- Due to the accuracy required for gear alignment, Arm cannot be supplied
separately and can only be sent out as a unit, Arm and Bed assembled.*

16532	2032	Arm Dowel Pin (2)
52182	2066	" Oil Tube, with 52184, for oiling 52205
52183	2064	" " " " 52184, " " 52024, for 127193 and 150460
52180	2066	" " " (long) with 52184, for oiling 52022
52185	2066	" " " (short), " 42367, " " 52022
127187	2040	" " " with 42367, for oiling 127152, for 127193 and 150460
52148	2039	" " "
52149	--	" " " 52148, with 52150, for oiling 127072 and 127074
56015	2033	" " " for oiling 127058 (2)
52150	2039	" " " Packing (braided cotton) for 52149
42367	2064	" " " " (" ") " 52185 and 127187
52184	2064	" " " " (cotton wick) for 52180, 52182, 52183, and 127191
116e	1324	" Screw (back) (2)
854e	2035	" " (front) (2)
127024	2374	Arm Shaft (horizontal)
88619	--	" " (") 127024 with 127223
127072	2039	" " (") Bevel Gear with two 1036e
127070	2029	" " (") " " Case (two pieces) with 121e
121e	1324	" " (") " " " Screw
1036e	2035	" " (") " " " Set Screw
52191	2040	" " (") Flanged Bushing (back)
52192	--	" " (") " " (") 52191 with 52193 and 52194
52193	2040	" " (") " " (") Oil Pad (braided cotton)
52194	2064	" " (") " " (") Oil Pad (felt)
446e	1324	" " (") " " (") Set Screw

No.	Plate	
52195	2040	Arm Shaft (horizontal) Flanged Bushing (front) ...
52196	—	" " (") " " (") 52195 with
52193	2040	" " (") " " (") Oil Pad
		(braided cotton)
52198	2064	" " (") " " (") Oil Pad (felt)
435c	1324	" " (") " " (") Set Screw ...
68350	2039	" " (") Front Bearing Oil Cup (spring lid) ...
144d	1324	" " (") Screw ...
127058	2028	" " (upright) ...
127073	2039	" " (") Bevel Gear (lower) with two 1259c ...
1259c	2035	" " (") " " (") Set Screw ...
127074	2039	" " (") " " (upper) with two 1259c ...
1259c	2035	" " (") " " (") Set Screw ...
52492	2039	" " (") Bushing (lower) ...
432c	1324	" " (") " " (") Set Screw ...
52493	2039	" " (") " " (upper) ...
435c	1324	" " (") " " (") Set Screw ...
127146	2066	" Side Cap ...
219d	1324	" " " Screw ...
127079	2028	" " Cover ...
50053d	2035	" " " Thumb Screw ...
52239	2064	" Spool Pin and Thread Eyelet ...
8879	1316	" " " Washer (cloth) ...
127192	2064	Arm Top Cover ...
127193	2064	" " " 127192 with 52183, 52239, 127187 and 127255
127255	2378	" " " Positioning Screw ...
158j	1324	" " " Screw ...
150459	2064	" " " Tension Bracket with 460c ...
158j	1324	" " " " " Screw ...
52239	2064	" " " " " Spool Pin ...
8879	1316	" " " " " " Washer (cloth) ...
2455	1688	" " " " " Disc ...
41593	1316	" " " " " Spring ...
41594	1316	" " " " " Stud ...
460c	1324	" " " " " Set Screw ...
41595	1316	" " " " " Thread Guide ...
150460	2064	Arm Top Cover Tension Bracket , complete, Nos. 41593 to
		41595, 52183, 52239, 127187, 127255, 150459 and two 2455

NOTE.—No. 150460 is supplied with this machine unless No. 127193 is specified on order.

52187	2065	Balance Wheel (power, disc) $2\frac{3}{16}$ " pulley, with two 448c ...
52063	2029	" " Oil Cover ...
210d	1324	" " " " Screw ...
448c	1324	" " " " Set Screw ...

No.	Plate	
*52383	—	Bed ...
NOTE.—Due to the accuracy required for gear alignment, Bed cannot be supplied separately and can only be sent out as a unit, Arm and Bed assembled.		
12431	—	Bed Slide ...
12432	2028	" " complete, Nos. 4307, 12431 and two 725c ...
4307	2028	" " Spring ...
725e	1324	" " " Screw ...
52102	2374	Face Plate ...
176d	559	" " Screw (2) ...
52053	2030	" " Thread Guard (lower) ...
226d	1324	" " " " (") Screw ...
52170	—	" " " " (upper) ...
226d	1324	" " " " (") Screw ...
50190d	2035	" " Thumb Screw ...
52103	—	Face Plate , complete, Nos. 52053, 52102, 52170 and two 226d ...
52452	2028	Feed Bar ...
313c	1324	" " Screw Centre (2) ...
1519e	2034	" " " " Nut (2) ...
52165	2066	" Connecting Link ...
375c	1324	" " " Hinge Screw ...
1518e	2034	" " " " " Nut ...
52073	2032	" " " " Stud ...
50083c	2035	" " " " " Set Screw ...
127025	2376	Feed Dog , 9 teeth (12 teeth to the inch) ...
50117c	2035	" " Screw (2) ...
127224	—	Feed and Feed Lifting Eccentric with 448c, 52210 and 52211
127226	—	" " " " " 127224 with 127152 ...
52210	—	" " " " " Lubricating Pad (wood, long)
52211	—	" " " " " " " (" short)
448c	1324	" " " " " Set Screw ...
127152	2066	" " " " " Sleeve ...
20284	2029	Feed Forked Connection ...
52393	—	" " " 20284 with 375c, 1518e and 52165 ...
375c	1324	" " " Hinge Screw ...
1518e	2034	" " " " " Nut ...
52384	2029	Feed Lifting Rock Shaft ...
127156	2065	" " " " " Connecting Rod with 127157 and two
		966c
*127157	—	" " " " " " " Cap ...
966c	2035	" " " " " " " Screw ...

No. 96K45 MACHINE PARTS

No	Plate	
375c	1324	Feed Lifting Rock Shaft Connecting Rod Hinge Screw ...
1518e	2034	" " " " " " " " Nut ...
12376	2032	" " " " " " " " Crank with 157c and 1813 ...
157c	1324	" " " " " " " " Clamping Screw ...
1813	2034	" " " " " " " " Roller and Stud ...
50191c	2034	" " " " " " " " Screw Centre (2) ...
1513j	1317	" " " " " " " " Nut (2) ...
52385	—	Feed Lifting Rock Shaft , complete, Nos. 12376 and 52384 ...
52074	2033	Feed Regulator with 50083c ...
52118	—	" " " 52074 with 52073 ...
52093	—	" " " 52118 with 818d ...
1128e	2035	" " " Hinge Screw ...
818d	2035	" " " Thumb Screw ...
52359	2033	" " " " " Stop ...
52386	2029	Feed Rock Shaft ...
29633	2032	" " " Crank with 157c ...
157c	1324	" " " " Clamping Screw ...
50191c	2034	" " " " Screw Centre (2) ...
1513j	1317	" " " " " Nut (2) ...
52387	—	Feed Rock Shaft , complete, Nos. 29633 and 52386 ...
127026	2377	Knife (narrow) ...
127027	2377	" (wide) ...
620c	2377	" Adjusting Screw ...
52104	2374	" Bar with 2301 ...
24431	2377	" " Crank with 191c ...
1162c	2377	" " " Coupling Pin ...
1564d	2377	" " " " " Head ...
2297	2377	" " " " " Spring ...
2022	2033	" " " Pin ...
191c	—	" " " Set Screw ...
24432	—	" " " complete, Nos. 1162c, 1564d, 2297 and 24431 ...
127028	2377	" " Driving Crank (forked) ...
16564	2377	" " " Bracket ...
127029	—	" " " " " complete, Nos. 2022, 16564, 24432 and 127028 ...
647c	2377	" " " " " Screw ...
24122	2377	" " Lifting Spring ...
24123	2377	" " " " Case ...
*24124	—	" " " " Guide ...
24906	2377	" " " " 24124 with 2523 and 24125 ...
*24125	—	" " " " Bracket ...
621j	2377	" " " " " Screw ...
2523	2377	" " " " " Pin ...

No. 96K45 MACHINE PARTS

No.	Plate	
2301	2377	Knife Bar Stop Pin ...
52107	—	Knife Bar , complete, Nos. 621j, 24109, 24906, 52104, 52108 and three 50117c ...
52108	2377	" Holder with 620c, 2291 and two 223j ...
24109	2377	" " Handle ...
50117e	2035	" " " Screw ...
50117e	2035	" " " Screw ...
223j	1316	" Screw ...
2291	2377	" " Washer ...
127135	2373	Needle Bar (hollow) with 140239h ...
127137	—	" " 127135 with 127136 ...
52200	2373	" " Bushing (lower) ...
1133c	2035	" " " (") Set Screw ...
52111	2373	" " " (upper) ...
1133c	2035	" " " (") Set Screw ...
52205	2066	" " Connecting Link with 52207 ...
52206	—	" " " " 52205 with 24041 ...
775e	2035	" " " " Cap Screw ...
52207	—	" " " " Lubricating Pad (wood) ...
24041	2066	" " " Stud with 207e ...
207c	1688	" " " " Clamping Screw ...
127223	2373	" " Crank (eccentric) with 1036c, 1037c and 1065c ...
127032	2373	" " " (") Sleeve ...
1065c	2035	" " " Position Screw ...
127136	2378	" " Thread Guide ...
140239h	2378	" Set Screw ...
*52201	2064	Oil Absorbent Wick ...
52202	2064	" " " 52201, with 52203, for lower cavity in head of arm ...
*52203	2040	" " " Wire ...
127191	—	Oil Tube , with 52184 ...
127091	2040	" " Bracket ...
127092	—	" " " 127091, with 127191, for oiling 52165 ...
12391	2028	Presser Bar (hollow) ...
52338	1316	" " Guide Bracket with 223c and 453c ...
453c	1316	" " " Set Screw ...
52016	1316	" " Lifter ...
689c	1316	" " " Screw ...
1520r	1317	" " " " Nut ...
12327	1316	" " Lifting and Releasing Lever Bracket ...
127108	2029	" " Spring ...
11170	1316	" " " Washer ...

No.	Plate				
127033	2376	Presser Foot for $\frac{1}{8}$ " to $\frac{11}{16}$ " gauges
127034	2376	" " " $\frac{3}{8}$ " gauge and above
190d	1324	" " Screw
<i>NOTE.—No. 127033, $\frac{1}{8}$" gauge and No. 127034, $\frac{3}{16}$" gauge, are sent with machine unless other gauges are specified on order.</i>					
50373w	2378	Pressure Regulating Thumb Screw
127095	2039	Rotating Hook with three 1253c
127096	—	" " 127095 with 127102 and four 1053c
*127239	—	" " 127096 " 40274, 127242 and three 1367d
127097	—	" " 127096 " 40274 and three 1367d (for agents only)
127240	—	" " 127239 with 52237
40264	2032	" " Bobbin
52235	—	" " " Case
52236	—	" " " 52235 with 591f, 1380d and 40394
40393	—	" " " Hinge Nos. 2974, 40392 and 125320
127242	2378	" " " Holder
52018	2032	" " " " Position Bracket
704j	1324	" " " " " Screw
40392	2032	" " " " Latch
125320	2066	" " " " " Lever
2974	2032	" " " " " Fulcrum Pin
2975	2032	" " " " " Spring
592e	1324	" " " " " Stop Screw
591f	1324	" " " " " Tension Regulating Screw
40394	2032	" " " " " Spring
1380d	2035	" " " " " Screw
52237	2032	" " " " " complete, Nos. 592e, 2975, 40393 and 52236
127241	—	" " " " " 52237 with 127242 (for agents only)
40274	2032	" " Section
1367d	2035	" " " Screw
1253c	2035	" " Set Screw
127059	2065	" " Shaft
127073	2039	" " " Bevel Gear with two 1259c
127007	2029	" " " " " Case (two pieces) with 121e and 50234d
50234d	2035	" " " " " Plug Screw
121e	1324	" " " " " Screw
1259c	2035	" " " " " Set Screw
127004	2039	" " " Bushing (back)
127043	—	" " " " (") 127004 with 52045
52045	2032	" " " " (") Packing (cotton)
1143c	2035	" " " " (") Set Screw

No.	Plate				
127005	2039	Rotating Hook Shaft Bushing (front)
127044	—	" " " " (") 127005 with 52045
142008	2373	" " " " (") Oil Cup
52045	2032	" " " " (") Packing (cotton)
1148c	2035	" " " " (") Set Screw
127102	2039	" " Thread Guard
1053c	2035	" " " " Screw
52115	2378	Slack Thread Regulator
223c	1316	" " " Set Screw
2102	2032	Tension Disc
1560c	2034	" Regulating Thumb Nut
32572	2032	" Releasing Disc
43944	1316	" " Lever
12398	1316	" " " Hinge Pin
12329	1316	" " " Spring
32574	2032	" " " Pin
2103	2032	" Spring
50304c	2034	" Stud
50305c	2035	" " Set Screw
52397	—	Tension, complete, Nos. 1560c, 2103, 32572, 32574, 50304c, 52083, 52394 and two 2102
52027	2032	Thread Guard (side of arm)
52454	2030	" Retainer
624c	2035	" " Set Screw
52054	—	Thread Take-up, complete, Nos. 11204, 52025 and 52217
52216	2373	Thread Take-up Crank
52217	—	" " " 52216 with 775c and 52206
1037c	2035	" " " Position Screw
1036c	2035	" " " Set Screw
52022	1503	Thread Take-up Lever with 52130
52023	2039	" " " Hinge Pin
52024	2039	" " " Link
11204	2033	" " " " Hinge Pin
435c	1324	" " " " " Set Screw
52130	—	" " " Thread Eyelet Bushing
52025	—	Thread Take-up Lever, complete, Nos. 52022 to 52024
52394	2039	Thread Take-up Spring
52083	2032	" " " Regulator with 50305c
448c	1324	" " " " Set Screw

No.	Plate	
5729	—	Throat Plate Body
†142032	2376	" " Cutting Bar for 127036
†52131	2376	" " " " " 127040
578d	2376	" " " " Screw
127035	2376	" " Slide
578d	2376	" " " Adjusting Screw
†127036	2376	Throat Plate (small needle hole), complete, Nos. 5729, 127035, 142032 and three 578d, for 127025

NOTE.—No. 127036, $\frac{1}{8}$ " gauge, is sent with this machine unless another gauge is specified on order.

†127040	2376	Throat Plate (large needle hole), complete, Nos. 5729, 52131, 127035 and three 578d, for 127025
691f	1324	Throat Plate Screw
*15404	—	Trade Mark
15405	—	" " Rivet
44212	—	Drip Pan with four $\frac{3}{4}$ " wire nails

†NOTE.—When ordering state required distance of trimmed edge from seam.

PARTS COMPLETE FOR No. 96K60 MACHINE

For Cloaks, Clothing and other work in Cloth. Maximum Stitch $5\frac{1}{2}$ to the inch. Drop Feed. Knee Lifter.

No.	Plate	
*127218	—	Arm with 15404, two each 15405 and 56015
NOTE.—Due to the accuracy required for gear alignment, Arm cannot be supplied separately and can only be sent out as a unit, Arm and Bed assembled.		
16532	2032	Arm Dowel Pin (2)
52182	2066	" Oil Tube, with 52184, for oiling 52205
52183	2064	" " " " 52184, " " 52024, for 127193 and 150460
52180	2066	" " " (long), with 52184, for oiling 52022
52185	2066	" " " (short), " 42367, " " 52022
127187	2040	" " " with 42367, for oiling 127152, for 127193 and 150460
52148	2039	" " "
52149	—	" " " 52148, with 52150, for oiling 127072 and 127074
56015	2033	" " " for oiling 127058 (2)
52150	2039	" " " Packing (braided cotton) for 52149
42367	2064	" " " " (" ") " 52185 and 127187
52184	2064	" " " " (cotton wick) for 52180, 52182, 52183, and 127191
116c	1324	" Screw (back) (2)
854c	2035	" " (front) (2)
127068	2313	Arm Shaft (horizontal) with 127067
127190	—	" " (") 127068 with 127199
54897	2032	" " (") Back Bearing Oil Cup (ball type)
52146	2311	" " (") " " " Pad (braided cotton)
127011	2311	" " (") Ball-bearing (back)
*127143	—	" " (") " (") Cover
127144	2311	" " (") " (") " 127143 with 127145
*127145	—	" " (") " (") " Oil Lead
219j	1324	" " (") " (") " Screw
52486	2311	" " (") " (") Locking Pin
52487	2311	" " (") " (") " " Cone
446c	1324	" " (") " (") " " Screw

No.	Plate				
127066	2311	Arm Shaft (horizontal)	Ball-bearing (front)
127009	2311	"	" (")	" (") Cover	...
401e	2311	"	" (")	" (") Screw	...
127067	2311	"	" (")	" (") Key	...
127072	2039	"	" (")	Bevel Gear with two 1036c	...
127070	2029	"	" (")	" " Case (two pieces) with 121e	...
121e	1324	"	" (")	" " Screw	...
1036c	2035	"	" (")	" " Set Screw	...
52490	2311	"	" (")	Flanged Bushing (back)	...
448c	1324	"	" (")	" " (") Set Screw	...
52195	2040	"	" (")	" " (front)	...
52196	—	"	" (")	" " (") 52195 with	...
				52193 and 52198	...
52198	2064	"	" (")	" " (") Oil Pad (felt)	...
52193	2040	"	" (")	" " (") " "	...
				(braided cotton)	...
435c	1324	"	" (")	" " (") Set Screw	...
54897	2032	"	" (")	Front Bearing Oil Cup (ball type)	...
52146	2311	"	" (")	" " " Pad (braided cotton)	...
144d	1324	"	" (")	Screw	...
127058	2028	"	" (upright)
127073	2039	"	" (")	Bevel Gear (lower) with two 1259c	...
1259c	2035	"	" (")	" " (") Set Screw	...
127074	2039	"	" (")	" " (upper) with two 1259c	...
1259c	2035	"	" (")	" " (") Set Screw	...
52492	2039	"	" (")	Bushing (lower)	...
432c	1324	"	" (")	" (") Set Screw	...
52493	2039	"	" (")	" (upper)	...
435c	1324	"	" (")	" (") Set Screw	...
127146	2066	"	Side Cap
219d	1324	"	" " Screw
127079	2028	"	" " Cover
50053d	2035	"	" " Thumb Screw
52239	2064	"	" Spool Pin and Thread Eyelet
8879	1316	"	" " Washer (cloth)
127192	2064	Arm Top Cover
127193	2064	"	" " " 127192 with 52183, 52239, 127187 and 127255
127255	2378	"	" " " Positioning Disc
158j	1324	"	" " " Screw
150459	2064	"	" " " Tension Bracket with 460c
158j	1324	"	" " " " " Screw
52239	2064	"	" " " " " Spool Pin
8879	1316	"	" " " " " Washer (cloth)
2455	1688	"	" " " " " Disc
41593	1316	"	" " " " " Spring
41594	1316	"	" " " " " Stud

No.	Plate				
460c	1324	Arm Top Cover	Tension Stud Set Screw
41595	1316	"	" " " " Thread Guide
150460	2064	Arm Top Cover Tension Bracket , complete, Nos. 41593 to 41595, 52183, 52239, 127187, 127255, 150459 and two 2455			
<i>NOTE.</i> —No. 150460 is supplied with this machine unless No. 127193 is specified on order.					
52176	2313	Balance Wheel (power), 2 $\frac{3}{16}$ " pulley, with two 448c			...
52063	2029	"	" " Oil Cover
210d	1324	"	" " " " Screw
448c	1324	"	" " " " Set Screw
*52383	—	Bed
<i>NOTE.</i> Due to the accuracy required for gear alignment, Bed cannot be supplied separately and can only be sent out as a unit, Arm and Bed assembled.					
12431	—	Bed Slide
12432	2028	"	" " complete, Nos. 4307, 12431 and two 725e
4307	2028	"	" " Spring
725e	1324	"	" " " " Screw
52051	—	Face Plate
176d	559	"	" " Screw
52053	2030	"	" " Thread Guard (lower)
226d	1324	"	" " " " (") Screw
52170	—	"	" " " " (upper)
226d	1324	"	" " " " (") Screw
50190d	2035	"	" " Thumb Screw
52052	2028	Face Plate , complete, Nos. 52051, 52053, 52170 and two 226d			...
52452	2028	Feed Bar
313c	1324	"	" " Screw Centre (2)
1519e	2034	"	" " " " Nut (2)
52165	2066	"	Connecting Link
375c	1324	"	" " " " Hinge Screw
1518e	2034	"	" " " " " Nut
52073	2032	"	" " " " " Stud
50083c	2035	"	" " " " " Set Screw
44136	1510	Feed Dog for tailor work
12457	2036	"	" " " cloth, 16 teeth (16 teeth to the inch)
12450	2036	"	" " " " 11 " (18 " " " ")
20158	203Q	"	" " " shirt work, 17 teeth (16 teeth to the inch)
20162	2036	"	" " " " " bevelled for hemmer, 17 teeth (16 teeth to the inch)
12481	2036	"	" " " general work, 18 teeth (16 teeth to the inch)
50117c	2035	"	" " " Screw (2)
<i>NOTE.</i> —Feed Dog No. 44136 is sent with this machine unless otherwise specified on order.					

No.	Plate	
127202	—	Feed and Feed Lifting Eccentric with 448c, 1299c, 52210 and 52211
127225	—	" " " " " 127202 with 127152
52210	—	" " " " " Lubricating Pad (wood, long)
52211	—	" " " " " " (" short)
1299c	2040	" " " " " Position Screw
448c	1324	" " " " " Set Screw
127152	2066	" " " " " Sleeve
20284	2029	Feed Forked Connection
52393	—	" " " " " 20284 with 375c, 1518c and 52165
375c	1324	" " " " " Hinge Screw
1518c	2034	" " " " " " " Nut
52384	2029	Feed Lifting Rock Shaft
127156	2065	" " " " " Connecting Rod with 127157 and two 966e
*127157	—	" " " " " " " Cap
966e	2035	" " " " " " " Screw
375c	1324	" " " " " " " Hinge Screw
1518c	2034	" " " " " " " " Nut
12376	2032	" " " " " Crank with 157c and 1813
157c	1324	" " " " " " Clamping Screw
1813	2034	" " " " " " Roller and Stud
50191c	2034	" " " " " " Screw Centre (2)
1513j	1317	" " " " " " Nut (2)
52385	—	Feed Lifting Rock Shaft, complete, Nos. 12376 and 52384
52074	2033	Feed Regulator with 50083c
52118	—	" " " 52074 with 52073
52093	—	" " " 52118 with 818d
1128c	2035	" " " Hinge Screw
818d	2035	" " " Thumb Screw
52386	2029	Feed Rock Shaft
29633	2032	" " " Crank with 157c
157c	1324	" " " " Clamping Screw
50191c	2034	" " " " Screw Centre (2)
1513j	1317	" " " " Nut (2)
52387	—	Feed Rock Shaft, complete, Nos. 29633 and 52386
25866	2031	Guide
50190b	2035	" Thumb Screw
127088	2040	Needle Bar (hollow)
127116	—	" " 127088 with 229d, 52306 and 52307
127230	2373	" " Bushing (lower)
1133c	2035	" " " (") Set Screw
52014	2039	" " " (upper)
1133c	2035	" " " (") Set Screw

No.	Plate	
52205	2066	Needle Bar Connecting Link with 52207
52206	—	" " " " 52205 with 24041
775e	2035	" " " " Cap Screw
52207	—	" " " " Lubricating Pad (wood)
24041	2066	" " " " Stud with 207e
207e	1688	" " " " Clamping Screw
127254	2313	" " Crank with 1036c, 1037c and 1065c
127199	—	" " " 127254 with 401e and 127009
1065c	2035	" " " Position Screw
52306	2032	" " Thread Guard
229d	2035	" " " " Screw
52307	2039	" Clamp with 51460f
51460f	2378	" " Screw
*52201	2064	Oil Absorbent Wick
52202	2064	" " " 52201, with 52203, for lower cavity in head of arm
*52203	2040	" " " Wire
127191	—	Oil Tube, with 52184
127091	2040	" " Bracket
127092	—	" " " 127091, with 127191, for oiling 52165
12391	2028	Presser Bar (hollow)
52338	1316	" " Guide Bracket with 223c and 453c
453c	1316	" " " " Set Screw
52016	1316	" " " Lifter
689c	1316	" " " " Screw
1520r	1317	" " " " Nut
12327	1316	" " " Lifting and Releasing Lever Bracket
127108	2029	" " Spring
11170	1316	" " " Washer
20458	2030	Presser Foot for 44136
12142	2030	" " " 20158
12260	2030	" " " 12450
12474	2030	" " " 20162
7298	2032	Presser Foot Hinge Pin
19334	—	" " Plate
19335	—	" " Shank
19336	2030	Presser Foot (hinged), complete, Nos. 7298, 19334 and 19335 for 44136
190d	1324	" " " Screw
NOTE.—Presser Foot No. 20458 is sent with this machine unless otherwise specified on order.		
688j	1324	Pressure Regulating Thumb Screw

No.	Plate					
127095	2039	Rotating Hook	with three 1253c
127096	—	"	"	127095 with 127102 and four 1053e
*127239	—	"	"	127096 " 40274, 127242 and three 1367d
127097	—	"	"	127096 " 40274 and three 1367d (for agents only)
127240	—	"	"	127239 " 52237
40264	2032	"	"	Bobbin
52235	—	"	"	" Case
52236	—	"	"	" " 52235 with 591f, 1380d and 40394
40393	—	"	"	" " Hinge, Nos. 2974, 40392 and 125320
127242	2378	"	"	" " Holder
52018	2032	"	"	" " " Position Bracket
704j	1324	"	"	" " " " " Screw
40392	2032	"	"	" " Latch
125320	2066	"	"	" " Lever
2974	2032	"	"	" " Fulcrum Pin
2975	2032	"	"	" " Spring
592e	1324	"	"	" " Stop Screw
591f	1324	"	"	" " Tension Regulating Screw
40394	2032	"	"	" " Spring
1380d	2035	"	"	" " Screw
52237	2032	"	"	" " complete, Nos. 592e, 2975, 40393 and 52236
127241	—	"	"	" " 52237 with 127242 (for agents only)
40274	2032	"	"	Section
1367d	2035	"	"	" Screw
1253c	2035	"	"	Set Screw
127059	2065	"	"	Shaft
127073	2039	"	"	" Bevel Gear with two 1259c
127007	2029	"	"	" " Case (two pieces) with 121e and 50234d
50234d	2035	"	"	" " Plug Screw
121e	1324	"	"	" " Screw
1259c	2035	"	"	" " Set Screw
127004	2039	"	"	Bushing (back)
127043	—	"	"	" (") 127004 with 52045
52045	2032	"	"	" (") Packing (cotton)
1143c	2035	"	"	" (") Set Screw
127005	2039	"	"	" (front)
127044	—	"	"	" (") 127005 with 52045
142008	2373	"	"	" (") Oil Cup
52045	2032	"	"	" (") Packing (cotton)
1148c	2035	"	"	" (") Set Screw
127102	2039	"	"	Thread Guard
1053e	2035	"	"	" Screw
52337	1316	Slack Thread Regulator	
223c	1316	"	"	" Set Screw

No.	Plate					
2102	2032	Tension Disc
1560c	2034	"	Regulating Thumb Nut
32572	2032	"	Releasing Disc
43944	1316	"	" Lever
12398	1316	"	" " Hinge Pin
12329	1316	"	" " Spring
32574	2032	"	" Pin
2103	2032	"	Spring
50304c	2034	"	Stud
50305c	2035	"	" Set Screw
52397	—	Tension, complete, Nos. 1560c, 2103, 32572, 32574, 50304c, 52083, 52394 and two 2102
52027	2032	Thread Guard (side of arm)
52454	2030	"	Retainer
624c	2035	"	" Set Screw
52215	—	Thread Take-up, complete, Nos. 11204, 52025 and 52217
52216	2373	Thread Take-up Crank
52217	—	"	" " 52216 with 775c and 52206
1037c	2035	"	" Position Screw
1036c	2035	"	" Set Screw
52022	1503	Thread Take-up Lever with 52130
52023	2039	"	" Hinge Pin
52024	2039	"	" Link
11204	2033	"	" Hinge Pin
435c	1324	"	" " Set Screw
52130	—	"	" Thread Eyelet Bushing
52025	—	Thread Take-up Lever, complete, Nos. 52022 to 52024
52394	2039	Thread Take-up Spring
52083	2032	"	" Regulator with 50305c
448c	1324	"	" Set Screw
44137	1510	Throat Plate, large needle hole, for 44136
12411	2036	"	" " " " " " 12457
19409	2036	"	" " " " " " 20162
19410	2036	"	" small " " " 20162
12482	—	"	" large " " " 12481
12483	2036	"	" small " " " 12481
691f	1324	"	" Screw (2)
<i>NOTE.—Throat Plate No. 44137 is sent with this machine unless otherwise specified on order.</i>						
*15404	—	Trade Mark
15405	—	"	" Rivet
44212	—	Drip Pan with four $\frac{3}{4}$ " wire nails

IRON BASE

No.	Plate						
19219	2033	Bed Frame Cushion (leather)
158c	1324	" " " Screw
19220	2033	" " " Spring
19226	2039	" " Hinge Connection
19398	---	" " " " 19226 with 211f and 19397
19397	2033	" " " " Cap
211f	2035	" " " " Screw
16555	2033	" " " Plate
14010	2033	" " " " Rivet
20067	1513	Bed Frame with two each 16555, 19398, four each 19219, 19220, six each 14010, wood screws 1½" No. 12, and eight 158c

TAPE HOLDER

(8 IN. DISC)

FOR 96K43 MACHINE

No.	Plate						
26061	7708	Bracket Wire with disc
26062	7708	Disc (adjustable) with 35925 and 50053d
35925	---	" Hub
50053d	2035	" Thumb Screw
26063	7708	Tape Holder (straight), 8" disc, complete, Nos. 26061 and 26062
190d	1324	" " Set Screw

ACCESSORIES

No.	Plate						
40264	2032	Bobbin (5)
12361	2039	Machine Hinge Connection (2)
36569	2031	Oiler
25537	2031	Screw Driver (large)
120378	2031	" " (small)
8908	---	Wrench for 96K45 Machine
8909	---	" " 96K45 "
---	---	Screw (wood), ½" No. 5, for 96K45 Machine (4)

BOBBIN WINDERS

BOBBIN WINDER (swinging automatic, left hand) for 40264

No.	Plate	
41913	2007	Bracket with 457c
41583	2007	Frame with 457c
34105	2007	" Hinge Pin
457c	1324	" " " Set Screw
41914	2007	" Spring
41585	2007	Pulley with 171d
171d	1324	" Set Screw
41586	2007	Spindle
41587	2007	Stop Latch
42614	2007	" " Hinge Stud
457c	1324	" " " " Set Screw
7958	2032	" " Stop Pin
41588	2007	" " Tripping Arm with 185h
185h	1324	" " " " Clamping Screw
60845	2007	Bobbin Winder, Nos. 7958, 34105, 41583, 41585 to 41588, 41913, 41914 and 42614
41915	—	Bobbin Winder, complete, Nos. 880e, 25446 and 60845
880e	2035	" " Screw
25446	2033	" " " Washer

This Bobbin Winder is sent with machine unless otherwise specified on order.

BOBBIN WINDER (swinging automatic, right hand) for use with Individual Motor.

Arm Top Cover Tension Bracket No. 127193 is supplied in place of No. 150460 when this Bobbin Winder is fitted to machine.

No.	Plate	
41339	1687	Base
41340	1687	Frame
1429d	1688	" Hinge Screw
41341	1687	" Spring
207d	1688	" " Screw
41342	1687	Pulley with 200f
200f	1688	" Set Screw
41343	1688	Spindle
27306	1688	Spool Pin
27307	1687	" Stand
†27308	1687	" " complete, Nos. 418e, 1562j, 2106, 10141, 11241, 27306, 27307, two each 2455 and wood screws 1" No. 10
11241	1687	Spool Washer (cloth)
41344	1688	Stop Latch
41345	1688	" " Finger
152f	1688	" " " Screw
1430d	1688	" " Hinge Screw
1550h	1688	" " " " Nut
41346	1688	" " Lever
1430d	1688	" " " Hinge Screw
2455	1688	Tension Disc
1562j	1688	" Regulating Thumb Nut
418e	1688	" Screw Stud
10141	1688	" Spring
2106	1688	" Thread Guide
60456	—	Bobbin Winder, Nos. 152f, 207d, 1429d, 1550h, 41339 to 41346, and three 1430d
41347	1687	Bobbin Winder, 60456, with two each 9331 and wood screws 1" No. 10 R.H.B.
41348	—	Bobbin Winder (swinging automatic, right hand), complete, Nos. 27308 and 41347
—	—	Bobbin Winder Screw (wood) 1" No. 10 R.H.B.
9331	1688	" " " Washer

† As No. 27308 can be supplied either Plated or Japanned, it is necessary, when ordering, to state which is required.

**BOBBIN WINDER (swinging automatic, right hand)
for machines when used on Power Table.**

Arm Top Cover Tension Bracket No. 127193 is supplied in place of No. 150460 when this Bobbin Winder is fitted to machine.

No.	Plate	
225433	10885	Bobbin Winder and Tension Bracket Base
225453	10884	Frame with 202277 and 225438
225454	10884	" Hinge Pin
202277	—	" Oil Packing (wick)
225438	10884	" Well Cap
225455	10884	" Spring
225456	10884	" Plunger
202473	10885	Pulley with 200380c
200380c	—	" Set Screw
225381	10884	Spindle
225444	10884	Stop Latch
200056e	10884	" " Screw
225458	10884	" " Thumb Lever
225459	10884	" " " Hinge Stud
225459	10884	" " " Joint Stud
202478	10884	" " Trip Lever
200299h	10884	" " " Hinge Screw
225461	10881	Tension Bracket with 201499j
200082d	10881	" " Screw
228026	10884	" " Washer
2102	2032	" Disc
13710	—	" Spring
201499j	10881	" Stud
201572j	10881	" " Thumb Nut
225462	10881	Tension Bracket, complete, Nos. 13710, 201572j, 225461 and two 2102
225382	10885	Bobbin Winder , complete, Nos. 200056e, 200082d, 200299h, 202473, 202478, 225381, 225433, 225444, 225453 to 225456, 225458, 225462, 228026, two each 225459 and wood screw $\frac{1}{4}$ " No. 12 R.H.B.

ATTACHMENTS

When ordering Binders send sample of the binding and of the material to be bound.

BINDER for Cap Peak Work

No.	Plate	
85678	559	Feed Dog
85459	559	Folder Base
85460	559	" (top)
207d	1688	" (") Binding Screw
85461	—	" (bottom)
SS50d	186	" (") Binding Screw
85462	559	" Roller Guide, Nos. 701d, 85463 and 85464
SS50d	186	" " " Binding Screw
85463	—	" " " Bracket
85464	—	" " " Roller
701d	1324	" " " Screw
176d	559	" Screw (to fasten to machine)
85325	186	" " Washer
85458	559	Folder, complete, Nos. 85459 to 85462, two 207d and four SS50d
85679	559	Presser Foot
85680	559	Throat Plate
85681	559	Binder , complete, Nos. 85458, 85678 to 85680, two each 176d and 85325

BINDER for Cardigan Jackets

No.	Plate	
85682	558	Feed Dog
85336	—	Folder Base
85337	—	" Folding Plate (top)
85338	—	" " " (bottom)
233d	1324	" " " Screw for 85337 and 85338
SS50d	186	" Screw
85325	186	" " Washer
85335	—	Folder, complete, Nos. 85336 to 85338 and four 233d

ATTACHMENTS

No.	Plate	
85683	558	Presser Foot
85324	—	Tape Tension Pin (bent)
85323	—	" " (straight)
85340	—	" " Plate
85339	558	" " complete, Nos. 85324, 85340 and four 85323
207d	1688	" " Screw
85325	186	" " Washer
85684	558	Throat Plate
85685	558	Binder , complete, Nos. SS50d, 207d, 85335, 85339, 85682 to 85684, and two 85325

BINDER, $\frac{1}{2}$ ", for General Work

No.	Plate	
85686	558	Feed Dog
85320	558	Folder
SS50d	186	" Screw
85325	186	" Washer
85687	—	Presser Foot Bracket
85688	—	" " Hinge Pin
85689	—	" " Sole
85690	558	" " (hinged), complete, Nos. 85687 to 85689
85324	—	Tape Tension Pin (bent)
85323	—	" " (straight)
85322	—	" " Plate
85321	557	" " complete, Nos. 85322, 85324 and eight 85323
SS50d	186	" " Screw
85325	186	" " Washer
85691	558	Throat Plate
85692	558	Binder , complete, Nos. 85320, 85321, 85686, 85690, 85691, two each SS50d and 85325

BINDER, $\frac{1}{2}$ ", for Stay Work

No.	Plate	
85693	557	Feed Dog
85614	—	Folder
SS65d	1324	" Screw
85694	—	Presser Foot Bracket
85616	—	" " Hinge Pin
85695	—	" " Sole
85696	557	" " (hinged), complete, Nos. 85616, 85694 and 85695
85324	—	Tape Tension Pin (bent)
85323	—	" " (straight)
85322	—	" " Plate
85321	557	" " complete, Nos. 85322, 85324 and eight 85323
SS50d	186	" " Screw
85325	186	" " Washer
85697	557	Throat Plate
85698	557	Binder , complete, Nos. SS50d, SS65d, 85321, 85325, 85614, 85693, 85696 and 85697

BINDER, $\frac{1}{2}$ ", for Stay Work

No.	Plate	
85699	186	Base
85597	186	Binder
85324	—	Tape Tension Pin (bent)
85323	—	" " (straight)
85700	186	Binder and Tension only, complete, Nos. 85324, 85597, 85699 and nine 85323
SS50d	186	" Screw
85325	186	" Washer
85701	186	Feed Dog
85702	—	Presser Foot Bracket
85703	—	" " Hinge Pin
85704	—	" " Sole
85705	186	" " (hinged), complete, Nos. 85702 to 85704
85706	186	Throat Plate
85707	186	Binder , complete, Nos. SS50d, 85325, 85700, 85701, 85705 and 85706

BINDER, $\frac{3}{16}$ " , for Stay Work

No.	Plate								
85711	187	Base
85603	187	Binder
85604	187	Folder
207d	1688	" Screw
85325	186	" " Washer
85605	187	Tape Guide
85606	187	" " Bracket
207d	1688	" " " Screw
85325	186	" " " Washer
207d	1688	" " " Screw
85325	186	" " " Washer
85607	—	" Tension Pin
85712	187	Binder, Folder and Tension only, complete, Nos. 85603 to 85606, 85711, three each 207d, 85325 and seven 85607							
SS50d	186	Binder Screw
85325	186	" " Washer
85701	186	Feed Dog
85702	—	Presser Foot Bracket
85703	—	" " " Hinge Pin
85704	—	" " Sole
85705	186	" " (hinged), complete, Nos. 85702 to 85704
85706	186	Throat Plate
85713	187	Binder, complete, Nos. SS50d, 85325, 85701, 85705, 85706 and 85712							

BRAIDER FOOT (long shank, adjustable)

No.	Plate								
86179	—	Braider Foot
86176	—	" " Guide (wire)
SS182d	1324	" " " Screw
86180	560	Braider Foot, complete, Nos. 86179, two each SS182d and 86176							
86178	560	Braider Foot

When ordering Corders state size or number of cords to the inch.

CORDER (adjustable), for Fine Cording

No.	Plate								
85842	560	Base
85843	560	Finger Arm
85844	560	" " Adjustable Bracket
85845	—	" " " " Block
393c	1324	" " " " Screw
316c	1324	" " " " Screw Centre
1547d	2378	" " " " " Nut
NN41d	2034	" " " " Thumb Nut
50053d	2035	" " " " " Set Screw
85846	560	Corder only, complete, Nos. NN41d, 393c, 50053d, 85842 to 85845, two each 316c and 1547d							
85864	560	Feed Dog
85865	560	Presser Foot
85866	560	Throat Plate
85867	560	Corder, complete, Nos. SS50d, 85846 and 85864 to 85866							
SS50d	186	" Screw (to fasten to machine)

CORDER (bow), for Top Cording

No.	Plate								
85868	201	Corder Bow
85869	201	Presser Foot
759d	1324	" " Thumb Screw
85870	201	Corder (bow), complete, Nos. 759d, 85868 and 85869							

HEMMER FEET-- Contd.

No.	Plate					
86544	—	$\frac{1}{16}$ "	flat sole, with groove
86545	—	$\frac{3}{32}$ "	" " " "
86546	1931	$\frac{1}{8}$ "	" " " "
86547	—	$\frac{5}{32}$ "	" " " "
86548	—	$\frac{3}{16}$ "	" " " "
86549	—	$\frac{7}{32}$ "	" " " "
86550	—	$\frac{1}{4}$ "	" " " "

PRESSER FOOT

No.	Plate					
86188	958		Presser Foot (narrow) for narrow tucking

QUILTER

No.	Plate					
86041	958		Clamp with 207d
207d	1688		" Screw
86042	958		Rod
86043	958		Quilter, complete, Nos. 86041 and 86042

TUCKERS (long arm)

No.	Plate					
36387	1315		Space Guide
35510	1315		" " Base with 35512, 35514 and two 1426e
402d	1317		" " " Screw
35511	1317		" " Indicator
35512	1317		" " Pin...
35513	1317		" " Stop (left)
35514	1317		" " " (") Guide Pin
1426e	1317		" " " (") Screw Stud
1657d	1317		" " " (") Thumb Nut
17718	1317		" " " (") " " Washer
35515	1317		" " " (right)
1426e	1317		" " " (") Screw Stud
1657d	1317		" " " (") Thumb Nut
17718	1317		" " " (") " " Washer
50053d	2035		" " Thumb Screw
36388	—		Space Guide, complete, Nos. 35510, 35511, 35513, 35515, 36387, 50053d, two each 1657d and 17718

No.	Plate					
35517	1309		Tuck Guide Arm
1177d	1317		" " " Screw
35518	1309		" " Base
50134e	1317		" " " Screw Stud
36389	1309		" " Bracket
307c	1317		" " " Screw Centre
1513j	1317		" " " " " Nut
36390	1317		" " " Spring
36391	1315		" " " " Plate
9d	1317		" " " " Screw
423c	1317		" " " Stop Screw
1520r	1317		" " " " " Nut
36392	1309		" " Frame
36393	1317		" " " Spring
1510e	1317		" " " " Nut
35524	1317		" " " " Washer
803c	1317		" " " Stop Screw
1520r	1317		" " " " " Nut
35511	1317		" " Indicator
35525	1309		" " Plate
1115f	1317		" " Screw
36394	—		Tuck Guide, complete, Nos. 9d, 423c, 803c, 1510e, 35511, 35517, 35518, 35524, 35525, 36389 to 36393, 50134e, two each 307c, 1115f, 1177d, 1513j, 1520r and three wood screws $\frac{1}{4}$ " No. 10
36395	—		Tucker (long arm), complete, Nos. 35528, 36388, 36394 and two 402d
52031	967		Feed Dog for shirt work
35528	1510		Presser Foot (wide) for 36395
40322	1510		" " (narrow) for 36395
36654	1510		" " for tucking shirt bosoms, for 36670
52032	—		Throat Plate, large needle hole, for 52031
52033	967		" " small " " " 52031
36670	—		Tucker (long arm), complete, for pin tucking, Nos. 36388, 36394, 36654 and two 402d

KNEE LIFTER

No.	Plate	
5596	2028	Bell Crank
5598	2028	" " 5596 with 5599, 5601 and 5735
5599	2028	" " Bracket
178e	1324	" " " Screw
5601	2032	" " Hinge Pin
5735	2032	" " Spring
12237	2379	Lifting Lever with 448c
52028	2029	" " Connecting Rod
12416	1316	" " " " Joint
76d	1324	" " " " Hinge Screw
1521e	2034	" " " " Lock Nut
802d	2035	" " Hinge Screw
12241	1316	" " Link
766d	1324	" " " Hinge Screw
12240	1316	" " Pin
448c	1324	" " " Set Screw
2763	2379	Rock Shaft
97502	1815	" " Bracket
—	—	" " " Screw (wood) 1" No. 10
2765	2379	" " Knee Arm
2768	—	" " " " 2765 with 2766 and 2767
2766	2379	" " " " Hub with 356c
356c	1324	" " " " Set Screw
2767	2379	" " " Plate with 356c
356c	1324	" " " " Set Screw
6337	2379	" " Lifting Bracket with two 356c
2778	2379	" " " " Hook
356c	1324	" " " " Set Screw
356c	1324	" " " " Set Screw
2770	2379	" " Stop Dog with 356c
356c	1324	" " " " Set Screw
84789	2379	Rock Shaft, complete, Nos. 2763, 2768, 2770, 2778, 6337, two 97502 and four wood screws 1" No. 10
85246	—	Knee Lifter, complete, Nos. 76d, 766d, 802d, 1521e, 5598, 12237, 12240, 12241, 12416, 52028, 84789 and two 178e

KNIFE GRINDER

FOR 96K45 MACHINE

for Nos. 127026 and 127027

No.	Plate	
27565	2380	Emery Wheel, 2" diam.
1508j	22214	" " Clamping Nut
27822	22214	" " " Washer
27567	22214	" " Shaft
60934	—	" " " 27567 with 1508j, 27565, 27569 and 27822
27568	22214	" " " Oil Hole Cover (rubber)
27569	22214	" " " Pulley
310k	22214	" " " Screw Centre
1516j	22214	" " " " Nut
27564	2380	Frame with 27574
899j	22214	Knife Clamping Screw
126304	—	" Holder Body
126305	22214	Knife Holder, complete, Nos. 899j, 27660 and 126304
27323	22214	" " Guide Bar
27572	2380	" " " " Bracket with 27574
310k	22214	" " " " Screw Centre
1516j	22214	" " " " " Nut
27573	22214	" " " " Spring
27574	22214	" " " " Hook
27659	22214	" " Stop Collar with 237k
237k	22214	" " " Set Screw
27660	—	" Position Pin
261j	22214	" Regulating Thumb Screw
27662	2380	Wrench for 1508 and 1516
60583	—	Knife Grinder, Nos. 261j, 27323, 27564, 27572, 27573, 27660, 60934, two 27568, four each 310k and 1516j
126306	—	Knife Grinder, complete, Nos. 27662, 60583, 126305 and two wood screws 1" No. 10

THREAD UNWINDER

FOR TWO SPOOLS OF THREAD

No.	Plate						
225257	1621	Spool Rest with 201018c
150203	—	" " Cushion (felt)
225388	1621	" " Rod
200383c	2034	" " " Set Screw
201018c	2034	" " Set Screw
202490	1621	" Stand with 200383c
225391	1621	Thread Guide
201696j	2034	" " Lock Nut
225326	—	" " Position Cup
225324	1621	" " Rod with 208e and 225322
208e	2035	" " " Screw
225322	—	" " " Washer
225258	1621	Thread Unwinder , complete, Nos. 201696j, 202490, 225257, 225324, 225326, 225388, two each 150203, 225391 and three wood screws $\frac{7}{8}$ " No. 12
27739	—	Thread Cone (wood) for large cones
225390	—	" " Holder for inverted cones

NOTE.—Nos. 27739 and 225390 are used with, but not included in 225258.