

**SINGER**  
11W6,W8

# LIST OF PARTS



## MACHINES Nos. 11w6 and 11w8

THE SINGER MANUFACTURING COMPANY

### INDEX

	Page
Accessories .....	12-13-14
Knee Lifter .....	12-13
Machine No. 11w6 .....	5
"    " 11w8 .....	11
Numerical List of Parts .....	15
Truck .....	12
Wood Base .....	14

# INSTRUCTIONS FOR ORDERING

In ordering from this list, use ONLY the PART number in the FIRST column.

The number stamped on a Sewing Machine Part is the number of the Single Part only, except when the part includes Set Screws, Clamping Screws, Studs and Rollers Spun on, Small Wires riveted, or Parts soldered together, etc., which it is necessary to furnish in combination.

Every combination of parts sent out has its specific number which, although not stamped on Parts (except in above case), must be used when ordering the combination.

Each number always indicates the SAME PART in whatever list it appears, or for whatever Machine.

The letters after some of the numbers indicate the style of finish only, as follows:

- A. Hardened, Polished, Nickel Plated and Buffed.
- B. Polished, Nickel Plated and Buffed.
- C. Hardened only.
- D. Polished only.
- E. Soft, not polished.
- F. Hardened and Polished.
- H. Blued.
- J. Nickel Plated only.
- R. Merlized.
- X. Black Oxide.
- XC. Hardened and Black Oxide.
- Y. Black Nickel only.

These letters MUST BE USED when they appear in the list and AFTER the number, as in the list.

In this series:

200001 to 201500 and 350001 to 351500 are Screw Numbers.  
 201501 to 201800 and 351501 to 351800 are Nut Numbers.  
 201801 to 202000 and 351801 to 352000 are Roller Numbers.  
 202001 to 350000 are Numbers of Machine Parts.

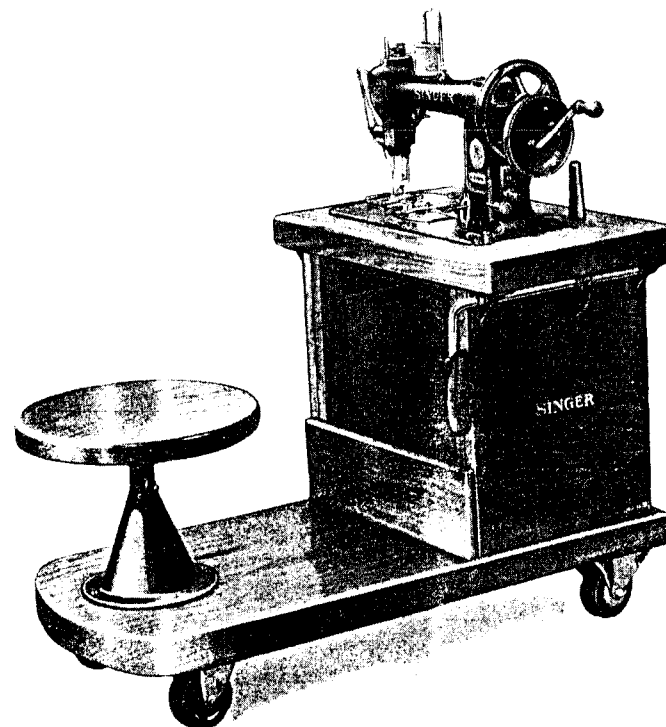
The figures in the second column refer only to the plate in which the illustration of the part is shown and are NOT TO BE USED in ordering.

Two or more numbers over a cut indicate that the difference between such parts is not visible in an illustration.

Parts marked with an asterisk (\*) are furnished when repairs are made at the factory.

## LIST OF PARTS COMPLETE

FOR



### MACHINE No. 11w6

DROP FEED                      KNEE LIFTER  
 TRUCK                      CANVAS COVER                      BASE

ADJUSTABLE BELT GUIDE AND HAND

DRIVING ATTACHMENTS

For Stitching or Joining Tape Belts on Spinning and Twisting Frames

No.	Plate	Name
*221803	-----	Arm with 200009H, 202002, 203922 and 204234
204163	14084	Arm Cap
200278H	14084	" " Screw
202248	14084	" " " Washer
202004	14091	" Position Pin (2)
200963E	14091	" Screw (2)
200020E	14091	" "

## PARTS FOR MACHINE NO. 11w6

No.	Plate	Name
202005	14091	Arm Screw Washer (3)
203923	14084	" Shaft
202002	14084	" " Bushing
200009H	14084	" " " Stop Screw
203924	14084	" " Connection with 202009 and two 200054E
203925	14084	Arm Shaft Connection 203924 with 203926, two each 200822C, 201525E and 202668
*202009	-----	Arm Shaft Connection Cap
200054E	14084	" " " Screw
203926	14084	" " " Slide Block
203927	14084	" " " " Stud
200427C	14084	" " " " " "
		Position Screw
200352C	14084	Arm Shaft Connection Slide Block Stud Set Screw
203922	14091	Arm Side Plate
221804	14084	Balance Wheel with 200335C, 200338C, 202111 and two 200079H
350091E	14084	Balance Wheel Adjusting Screw
202111	14084	" " Gear
200079H	14084	" " " Screw
200338C	14084	" " Position Screw
200335C	14084	" " Set Screw
*221838	-----	Bed with 200328C and 205965
202168	14091	" Hinge Connection (2)
200575H	14091	" " " Screw (4)
202113	14089	" Slide (front)
202114	14089	" " 202113 with 202115 and two 200144E
202115	14089	Bed Slide (front) Spring
200144E	14089	" " " " Screw
221805	14089	Belt Guide (back) (adjustable) with 350093C and two 200798E
350092D	14089	Belt Guide (back) (adjustable) Screw
200681C	14089	" " " " " "
		Stud
221806	14089	Belt Guide (back) Adjusting Slide with 200681C
350093C	14089	Belt Guide (back) Adjusting Slide Position Screw
200798E	14089	Belt Guide (back) Adjusting Slide Screw Stud
201556D	14089	Belt Guide (back) Adjusting Slide Screw Stud Thumb Nut
221807	14089	Belt Guide (front) (adjustable)
200798E	14089	" " " " Screw Stud
201556D	14089	" " " " " "
		Thumb Nut
221808	14089	Belt Guide Adjusting Lever with 200861B
221809	14089	Belt Guide Adjusting Lever Bolster with 200798E
350094D	14089	Belt Guide Adjusting Lever Hinge Screw
350095C	14089	" " " " Position Screw

## PARTS FOR MACHINE NO. 11w6

No.	Plate	Name
201535E	14089	Belt Guide Adjusting Lever Position Screw Nut
200798E	14089	Belt Guide Adjusting Lever Screw Stud
201556D	14089	" " " " " "
		Thumb Nut
200861B	14089	Belt Guide Adjusting Lever Thumb Screw
221810	14089	" " Base Plate
221811	14089	Adjustable Belt Guide Attachment complete, Nos. 201535E, 221805 to 221810, 350094D, 350095C, two 350092D and three 201556D
200577XC	14089	Adjustable Belt Guide Attachment Screw
200911D	14089	" " " " " "
202053	14085	Bobbin
*221812	-----	" Case
202055	14085	" " Latch
*202056	-----	" " Pin
*202100	-----	" " Post
202101	14085	" " " Washer
202057	14085	" " " Spring
202058	14085	" " " Plunger
200984C	14085	" " Tension Regulating Screw
203932	14085	" " Spring
200594C	14085	" " " Screw
221813	14085	Bobbin Case complete, Nos. 200594C, 200984C, 202055 to 202058, 202100, 202101, 203932 and 221812
203934	14085	Bobbin Case Stop
200390C	14085	" " Adjusting Screw
203936	14085	" " Bracket
200027E	14085	" " " Screw
205979	14085	" " Hinge Pin
203935	14085	" " Spring
203966	14085	Bobbin Case Stop Bracket complete, Nos. 200390C, 203934 to 203936 and 205979
221814	14090	Bobbin Winder Frame
200229D	14090	" " Hinge Screw
202134	14090	" " Spring
202140	14090	" " Stop Pin
202141	14090	" " Pulley
202189	14090	" " Spindle
204925	14090	" " Washer
221815	14090	Bobbin Winder complete, Nos. 202141, 202189, 204925 and 221814
203937	14088	Face Plate with 202023, 202087, 204281 and four 200368H
200053C	14088	Face Plate Screw
202023	14088	" " Thread Guide
200368H	14088	" " " Set Screw
221839	14088	Face Plate complete, Nos. 200577XC, 203937, 203965, 204059, 204795 and 221840
203939	14086	Feed Bar with 204340
200365C	14086	" " Adjusting Screw
203940	14086	" " Spring (flat)
200131E	14086	" " " Screw

No.	Plate	Name
200415C	14086	Feed Bar Screw Center
201525E	14086	" " " " Nut
203941	14086	" " Spring (spiral)
204340	14086	" " " Hook
204189	14086	" " " (on Bed)
221844	14086	Feed Bar complete, Nos. 200365C, 203939, 203940, 221816 and four 200131E
221816	14086	Feed Dog
200131E	14086	" " Screw
203943	14084	" Driving Crank
205977	14084	" " " 203943 with 200252C, 201531E and 203944
203944	14084	Feed Driving Crank Link
200252C	14084	" " " " Screw Stud
201531E	14084	" " " " " " Nut
200648E	14084	" " " " Screw Stud
200372C	14084	" " " " " Check Screw
202668	14084	Feed Driving Crank Slide Block
200822C	14084	" " " " " Screw Stud
201525E	14084	Feed Driving Crank Slide Block Screw Stud Nut
203945	14086	Feed Driving Rock Shaft with two each 200415C and 201525E
203946	14086	Feed Driving Rock Shaft Crank with two each 200378C, 200415C and 201525E
203947	14086	Feed Driving Rock Shaft Crank Connection with 200819C
200415C	14086	Feed Driving Rock Shaft Crank Connection Screw Center
201525E	14086	Feed Driving Rock Shaft Crank Connection Screw Center Nut
200378C	14086	Feed Driving Rock Shaft Crank Set Screw
200414C	14086	Feed Driving Rock Shaft Screw Center (2)
201512E	14086	Feed Driving Rock Shaft Screw Center Nut (2)
203948	14085	Feed Lifting Cam with 200390C and 202126
202126	14085	Feed Lifting Cam Position Pin
200390C	14085	" " " Set Screw
*221817	-----	" Regulating Handle
203950	14086	" " " Escutcheon
200137H	14086	" " " " Screw (2)
202064	14086	Feed Regulating Handle Position Pin
*203951	-----	" Regulator and Reverser
221841	14086	" " " " 203951 with 202064 and 221817
204213	14086	Feed Regulator and Reverser Sleeve (split)
200362C	14086	Feed Regulator and Reverser Sleeve Set Screw

No.	Plate	Name
202668	14086	Feed Regulator and Reverser Slide Block
200819C	14086	Feed Regulator and Reverser Slide Block Screw Stud
221818	14086	Feed Regulator and Reverser Stop
204234	14086	" " " " " Pin
200113F	14086	" " " " " Screw
203954	14086	" " " " " Washer
200084F	14086	Feed Regulator and Reverser Stop Screw Washer Screw
*202116	-----	Hand Wheel
*208712	-----	" " 202116 with 202121 and 208715
202117	14090	Hand Wheel 208712 with 202125, three each 200079H and 202126
202123	14090	Hand Wheel Bracket with 200363C and 202140
202124	14090	Hand Wheel Bracket Eccentric Stud
200363C	14090	" " " " " Set Screw
200036E	14090	Hand Wheel Bracket Screw (2)
202118	14090	" " Crank
202119	14090	" " " Handle (wood)
200212D	14090	" " " " Screw
201528E	14090	" " " " " Nut
202120	14090	" " " Hinge Pin
202121	14090	" " " Lock Pin
208715	14090	" " " " " Spring
*202125	-----	" " Gear
202126	14090	" " " Position Pin
200079H	14090	" " " Screw
202127	14090	" " Latch with 202128
202128	14090	" " " Pin
200319E	14090	" " " Screw
204986	14090	" " " Spring
200319E	14090	" " " " Screw
202130	14090	Hand Wheel complete, Nos. 200212D, 201528E, 202117 to 202120, 202127, 204986 and two 200319E
205949	14090	Hand Wheel Bracket complete, Nos. 202123, 202124 and 202130
*202051	-----	Hook (sewing)
208742	14085	" 202051 with 200610F, 200611F, 202063, 202064 and 208741
203955	14085	Hook 208742 with 203948 and 203956
221819	14085	Hook and Bobbin Case complete, Nos. 203955 and 221813
202063	14085	Hook Gib
200610F	14085	" " Hinge Screw
200611F	14085	" " Screw
202064	14085	" Pin
*208741	-----	" Shaft, 9-7/8 in. long
205965	14085	" " Bushing
200328C	14085	" " " Position Screw
208825	-----	" " Crank
205980	14085	" " " 208825 with two 200378C

No.	Plate	Name
200378C	14085	Hook Shaft Crank Set Screw
202668	14084	" " " Slide Block
200822C	14084	" " " " " Screw Stud
201525E	14084	" " " " " " "
		Nut
203956	14085	Hook Washer
221846	14091	Knee Lifter Connection Lever
221847	14091	" " " " 221846
		with 203972, 221848 and two 200262H
200262H	14091	Knee Lifter Connection Lever Hinge Screw
203972	14091	Knee Lifter Connection Lever Lifting Rod with 202302
202302	14091	Knee Lifter Connection Lever Lifting Rod Cotter Pin
221848	14091	Knee Lifter Lifting Lever
200262H	14091	" " " " Hinge Screw
203957	14087	Needle Bar with 200117F, 200175D and 203967
203959	14087	Needle Bar Connecting Link
200667C	14087	" " " " Screw Stud
*208735	-----	" " " Stud
208736	14087	" " " " 208735 with two 200387C
200387C	14087	Needle Bar Connecting Stud Set Screw
203967	14087	" " Thread Guide
200175D	14087	" " " Screw
200117F	14087	" Set Screw
203958	14087	Presser Bar (hollow) with 200074F
202046	14087	" " Guide Bracket with 200387C
200387C	14087	" " " " Set Screw
202047	14087	" " Lifter
200026D	14087	" " " Hinge Screw
202048	14087	" " Sleeve
221820	14087	" " Spring
200499B	14087	" " Thumb Screw (pressure regulating)
221821	14087	Presser Foot
200074F	14087	" " Screw
202068	14084	Spool Holder Base
200575H	14084	" " " Screw
204296	14084	" " Wire
200079H	14084	" " " Hinge Screw
204297	14084	Spool Holder complete, Nos. 200079H, 202068 and 204296
221843	14087	Take-up Cam with 200335C, 200431C and 200667C
200431C	14087	Take-up Cam Position Screw
200335C	14087	" " Set Screw
203961	14087	" Lever with 201816
200251B	14087	" " Bearing Screw
201816	14087	" " Roller
202074	14088	Tension Pulley
202149	14088	" Release Plunger
208696	14087	" Slide
202076	14087	" " 208696 with 202077
202077	14087	" " Spring

No.	Plate	Name
202078	14088	Tension Spring
200630B	14088	" Stud
200368H	14088	" " Set Screw
201572H	14088	" Thumb Nut
204271	14088	" Washer (steel)
205656	14088	" " (felt)
202079	14088	" " "
221840	14088	Tension complete, Nos. 200630B, 201572H, 202074, 202078, 202079, 202149, 204271 and 205656
204274	14088	Thread Controller Plate
200577XC	14088	" " " Screw
202098	14088	" " Roller
204275	14088	" " " Guard
202084	14088	" " " Washer
200300C	14088	" " " Screw
203964	14088	" " Spring
204333	14088	" " " Guard
200581H	14088	" " " Screw
202087	14088	" " Stop
204795	14088	" " Stud with 204925
200368H	14088	" " " Set Screw
204925	14088	" " " Washer
203965	14088	Thread Controller complete, Nos. 200300C, 200581H, 202084, 202098, 203964, 204274, 204275 and 204333
202095	14087	Thread Cutter
200137H	14087	" " Screw
204281	14088	" Retainer Guide Wire
202091	14088	" " Sleeve
202092	14088	" " Spring (spiral)
204058	14088	" " Stud
200368H	14088	" " " Set Screw
204059	14088	Thread Retainer complete, Nos. 202091, 202092 and 204058
221822	14089	Throat Plate, 38 needle hole, for needle sizes 23 and 24
200577XC	14089	Throat Plate Screw (2)

## MACHINE No. 11w8

BASE

CANVAS COVER

MACHINE HEAD IS THE SAME AS 11w6 MACHINE HEAD

Accessories include Knee Lifter 221899 and Wood Base 221827

in Place of Knee Lifter 221826 and Truck 221837

## ACCESSORIES

## FOR MACHINE NO. 11w6

No.	Plate	Name
202053	14085	Bobbin (2)
225497	14097	" Case Screw Driver
205921	14090	" Winder Pulley Friction Ring (rubber)
128 x 3	-----	Needles, six, size 23
221845	14092	Drip Pan with four 3/4 in. wire nails
221829	14094	Machine Cover
120342	14097	Oiler (copper plated) with 120343
120343	14097	" Spout (3-1/2 in. long)
225498	14097	Screw Driver (7-1/4 in. long)
225553	14097	Wrench (steel)

## KNEE LIFTER

221823	14093	Rock Lever with three 200528C
2767	14093	" " Knee Plate with 356C
221825	14093	" " " " Arm
221842	14093	" " " " Collar with two 200393C
200393C	14093	Rock Lever Knee Plate Arm Collar Set Screw
356C	14093	Rock Lever Knee Plate Set Screw
227728	14093	" " Rod, 3 in. long, with 227729
*227729	-----	" " " Cap or Oil Guard
200528C	14093	" " " Set Screw
200528C	14093	" " Set Screw
221826	14093	Knee Lifter Rock Lever complete, Nos. 2767, 221823, 221825, 227728 and two 221842

## TRUCK

221827	14094	Machine Base (wood) with 228092, two 227493 and four 225589
221828	14094	Machine Base Bracket with four wood screws 7/8 in., No. 12
228092	14094	Machine Button with one wood screw 1-1/2 in., No. 14, R.H.B.
225589	14094	Machine Cushion (leather)
227493	14094	" Hinge Plate 202259 with two wood screws 7/8 in., No. 12H

No.	Plate	Name
41400	14094	Machine Rest Pin (wood)
221830	14094	Stool Base with 200522C and four wood screws 1-1/4 in., No. 12, R.H.B.
227134	14094	Stool Seat
227053	14094	" " 227134 with 227132
227132	14094	" " Bracket with 227556 and three wood screws 1 in., No. 12
227556	14094	Stool Seat Spindle
200522C	14094	" " " Set Screw
221834	14094	Truck Body
221849	14094	" Caster with four 1-1/4 in. No. 14 wood screws
221851	14094	Truck Caster (swivel) with four 1-1/4 in. No. 14 wood screws
221837	14094	Truck complete, Nos. 41400, 221827, 221830, 221834, 227053, two each 221849, 221851 and four 221828

## FOR MACHINE NO. 11w8

No.	Plate	Name
202053	14085	Bobbin (2)
225497	14097	" Case Screw Driver
205921	14090	" Winder Pulley Friction Ring (rubber)
128 x 3	-----	Needles, six, size 23
221845	14092	Drip Pan with four 3/4 in. wire nails
221829	14094	Machine Cover
41400	14096	" Rest Pin (wood)
120342	14097	Oiler (copper plated) with 120345
120343	14097	" Spout (3-1/2 in. long)
225498	14097	Screw Driver (7-1/4 in. long)
225553	14097	Wrench (steel)

## KNEE LIFTER

221897	14095	Rock Lever with three 200528C
2767	14095	" " Knee Plate with 356C
221898	14095	" " " " Arm
221842	14095	" " " " Collar with two 200393C
200393C	14095	Rock Lever Knee Plate Arm Collar Set Screw
356C	14095	Rock Lever Knee Plate Set Screw
227728	14095	" " Rod, 3 in. long with 227729
*227729	-----	" " " Cap
200528C	14095	" " " Set Screw
200528C	14095	" " Set Screw

## ACCESSORIES

No.	Plate	Name
221828	14095	Machine Base Bracket with four wood screws 7/8 in.No.12
221899	14095	Knee Lifter Rock Lever complete,Nos. 2767,221897,221898,227728,two each 221828 and 221842

## WOOD BASE

221827	14096	Machine Base (wood) with 228092,two 227493 and four 225589
221828	14096	Machine Base Bracket with four wood screws 7/8 in.No.12 (2)
228092	14096	Machine Button with one wood screw 1-1/2 in.No.14 R.H.B.
225589	14096	Machine Cushion (leather)
227493	14096	" Hinge Plate 202259 with two wood screws 7/8 in.,No.12H

Genuine Singer Needles should be used  
in Singer Machines.  
These Needles and their Containers  
are marked with the  
Company's Trade Mark "SIMANCO." 1

Needles in Containers marked  
"For Singer Machines"  
are not Singer made needles. 2



## NUMERICAL LIST OF PARTS

---

## NUMERICAL LIST OF PARTS

No.	Plate	Name
356C	14093	Knee Lifter Rock Lever Knee Plate Set Screw, for 2767
2767	14093	Knee Lifter Rock Lever Knee Plate with 356C, for 221826 and 221899
41400	14094	Machine Rest Pin (wood), for 221837 and Machine No. 11W8
120342	14097	Oiler (copper plated) with 120343
120343	14097	" Spout (3-1/2 in. long), for 120342
200009H	14084	Arm Shaft Bushing Stop Screw, for 221803
200020E	14091	Arm Screw
200026D	14087	Presser Bar Lifter Hinge Screw
200027E	14085	Bobbin Case Stop Bracket Screw
200036E	14090	Hand Wheel Bracket Screw
200053C	14088	Face Plate Screw
200054E	14084	Arm Shaft Connection Screw, for 203924
200074F	14087	Presser Foot Screw, for 203958
200079H	14084	Balance Wheel Gear Screw, for 221804
200079H	14090	Hand Wheel Gear Screw, for 202117
200079H	14084	Spool Holder Wire Hinge Screw, for 204297
200084F	14086	Feed Regulator and Reverser Stop Screw Washer Screw
200113F	14086	Feed Regulator and Reverser Stop Screw
200117F	14087	Needle Set Screw, for 203957
200131E	14086	Feed Bar Adjusting Spring Screw, for 221844
200131E	14086	Feed Dog Screw, for 221844
200137H	14086	" Regulating Handle Escutcheon Screw
200137H	14087	Thread Cutter Screw
200144E	14089	Bed Slide (front) Spring Screw, for 202114
200175D	14087	Needle Bar Throat Guide Screw, for 203957
200212D	14090	Hand Wheel Crank Handle Screw, for 202130
200229D	14090	Bobbin Winder Frame Hinge Screw
200251B	14087	Take-up Lever Bearing Screw
200252C	14084	Feed Driving Crank Link Screw Stud, for 205977
200262H	14091	Knee Lifter Connection Lever Hinge Screw, for 221847
200262H	14091	Knee Lifter Lifting Lever Hinge Screw, for 221847
200278H	14084	Arm Cap Screw
200300C	14088	Thread Controller Roller Screw, for 203965

## NUMERICAL LIST OF PARTS

No.	Plate	Name
200319E	14090	Hand Wheel Latch Screw, for 200130
200319E	14090	" " " Spring Screw, for 202130
200328C	14085	Hook Shaft Bushing Position Screw, for 221838
200335C	14084	Balance Wheel Set Screw, for 221804
200335C	14087	Take-up Cam Set Screw, for 221843
200338C	14084	Balance Wheel Position Screw, for 221804
200352C	14084	Arm Shaft Connection Slide Block Stud Set Screw
200362C	14086	Feed Regulator and Reverser Sleeve Set Screw
200363C	14090	Hand Wheel Bracket Eccentric Stud Set Screw, for 202123
200365C	14086	Feed Bar Adjusting Screw, for 221844
200368H	14088	Face Plate Thread Guide Set Screw, for 203937
200368H	14088	Tension Stud Set Screw, for 203937
200368H	14088	Thread Controller Spring Stud Set Screw, for 203937
200368H	14088	Thread Retainer Stud Set Screw, for 203937
200372C	14084	Feed Driving Crank Screw Stud Check Screw
200378C	14086	Feed Driving Rock Shaft Crank Set Screw, for 203946
200378C	14085	Hook Shaft Crank Set Screw, for 203980
200387C	14087	Needle Bar Connecting Stud Set Screw, for 208736
200387C	14087	Presser Bar Guide Bracket Set Screw, for 202046
200390C	14085	Bobbin Case Stop Adjusting Screw, for 203966
200390C	14085	Feed Lifting Cam Set Screw, for 203948
200393C	14093	Knee Lifter Rock Lever Knee Plate Arm Collar Set Screw, for 221842
200414C	14086	Feed Driving Rock Shaft Screw Center
200415C	14086	" Bar Screw Center, for 203946
200415C	14086	" Driving Rock Shaft Crank Connection Screw Center, for 203945
200427C	14084	Arm Shaft Connection Slide Block Stud Position Screw
200431C	14087	Take-up Cam Position Screw, for 221843
200499B	14087	Presser Bar Thumb Screw (pressure regulating)
200522C	14094	Stool Seat Spindle Set Screw, for 221830
200528C	14093	Knee Lifter Rock Lever Rod Set Screw, for 221823 and 221897
200528C	14093	Knee Lifter Rock Lever Set Screw, for 221823 and 221897
200575H	14091	Bed Hinge Connection Screw
200575H	14084	Spool Holder Base Screw
200577XC	14089	Adjustable Belt Guide Attachment Screw
200577XC	14088	Thread Controller Plate Screw, for 221839

## NUMERICAL LIST OF PARTS

No.	Plate	Name
200577XC	14089	Thread Plate Screw
200581H	14088	Thread Controller Spring Guard Screw, for 203965
200594C	14085	Bobbin Case Tension Spring Screw, for 221813
200610F	14085	Hook GIB Hinge Screw, for 208742
200611F	14085	" " Screw, for 208742
200639B	14088	Tension Stud, for 221840
200648E	14084	Feed Driving Crank Screw Stud
200667C	14087	Needle Bar Connecting Link Screw Stud for 221843
200681C	14089	Belt Guide (back) (adjustable) Screw Stud, for 221806
200738E	14089	Belt Guide (back) Adjusting Slide Screw Stud, for 221805
200798E	14089	Belt Guide (front) (adjustable) Screw Stud, for 221805
200804E	14089	Belt Guide Adjusting Lever Screw Stud for 221809
200818C	14087	Feed Regulator and Reverser Slide Block Screw Stud, for 203947
200821C	14084	Feed Driving Crank Slide Block Screw Stud, for 203925
200822C	14084	Hook Shaft Crank Slide Block Screw Stud, for 203925
200861B	14089	Belt Guide Adjusting Lever Thumb Screw for 221808
200911B	14089	Adjustable Belt Guide Attachment Screw
200963E	14091	Arm Screw
200994C	14085	Bobbin Case Tension Regulating Screw, for 221813
201512E	14086	Feed Driving Rock Shaft Screw Center Nut
201525E	14086	Feed Bar Screw Center Nut, for 203946
201525E	14084	Feed Driving Crank Slide Block Screw Stud Nut, for 203925
201525E	14086	Feed Driving Rock Shaft Crank Connection Screw Center Nut, for 203945
201525E	14084	Hook Shaft Crank Slide Block Screw Stud Nut, for 203925
201528E	14090	Hand Wheel Crank Handle Screw Nut, for 200130
201531E	14084	Feed Driving Crank Link Screw Stud Nut for 205977
201535E	14089	Belt Guide Adjusting Lever Position Screw Nut, for 221811
201556D	14089	Belt Guide (back) Adjusting Slide Screw Stud Thumb Nut, for 221811
201556D	14089	Belt Guide (front) (adjustable) Screw Stud Thumb Nut, for 221811
201556D	14089	Belt Guide Adjusting Lever Screw Stud Thumb Nut, for 221811
201572H	14088	Tension Thumb Nut, for 221840
201816	14087	Take-up Lever Roller, for 203961
202002	14084	Arm Shaft Bushing, for 221803
202004	14091	" Position Pin
202005	14091	" Screw Washer

## NUMERICAL LIST OF PARTS

No.	Plate	Name
*202009	-----	Arm Shaft Connection Cap, for 202004
202023	14088	Face Plate Thread Guide, for 202027
202046	14087	Presser Bar Guide Bracket with 200387C
202047	14087	" " Lifter
202048	14087	" " Sleeve
*202051	-----	Hook (sewing), for 208742
202053	14095	Bobbin
		Nos. 202055 to 202058, for 221813
202055	14085	Bobbin Case Latch
*202056	-----	" " " Pin
202057	14085	" " " Spring
202058	14085	" " " Plunger
202063	14085	Hook Gib, for 208742
202064	14086	Feed Regulating Handle Position Pin, for 221841
202064	14085	Hook Pin, for 208742
202068	14084	Spool Holder Base, for 204297
202074	14088	Tension Pulley, for 221840
202076	14087	" Slide 200696 with 200707
202077	14087	" " Spring, for 202074
202078	14088	" Spring, for 221840
202079	14088	" Washer (felt), for 221840
202084	14088	Thread Controller Roller Guard Washer, for 203965
202087	14088	Thread Controller Spring Stop, for 203937
202091	14088	Thread Retainer Sleeve, for 204059
202092	14088	" " Spring (apical), for 204059
202095	14087	Thread Cutter
202098	14088	" Controller Roller, for 203965
*202100	-----	Bobbin Case Latch Post, for 221813
202101	14085	" " " " Washer, for 221813
202111	14084	Balance Wheel Gear, for 221804
202113	14089	Bed Slide (front), for 202114
202114	14089	" " 202113 with 202115 and two 200144E
202115	14089	Bed Slide (front) Spring, for 202114
*202116	-----	Hand Wheel, for 208712
		Nos. 202117 to 202120, for 202120
202117	14090	Hand Wheel 208712 with 202118, three each 200079H and 202126
202118	14090	Hand Wheel Crank
202119	14090	" " " Handle (wood)
202120	14090	" " " Hinge Pin
202121	14090	" " " Lock Pin, for 208712
202123	14090	Hand Wheel Bracket with 200363C and 202140, for 205949
202124	14090	Hand Wheel Bracket Eccentric Stud, for 205949
*202125	-----	Hand Wheel Gear, for 202117
202126	14085	Feed Lifting Cam Position Pin, for 203948
202126	14090	Hand Wheel Gear Position Pin, for 202117

## NUMERICAL LIST OF PARTS

No.	Plate	Name
202127	14090	Hand Wheel Latch with 202118, for 202130
202128	14090	Hand Wheel Latch Pin, for 202127
202130	14090	Hand Wheel complete, Nos. 200212D, 201528E, 202117 to 202120, 202127, 204986 and two 200519E, for 205949
202134	14090	Bobbin Winder Frame Spring
202140	14090	" " " Stop Pin, for 202123
202141	14090	" " Pulley, for 221815
202142	14089	Tension Release Plunger, for 221840
202168	14091	Bed Hinge Connection
202189	14090	Bobbin Winder Spindle, for 221815
202248	14084	Arm Cap Screw Washer
202300	14091	Knee Lifter Connection Lever Lifting Rod Catcher Pin, for 203972
202668	14084	Feed Driving Crank Slide Block, for 203925
202669	14086	Feed Regulator and Reverser Slide Block
202669	14084	Hook Shaft Crank Slide Block, for 203925
202952	14091	Arm Side Plate, for 221803
202957	14084	" Shaft
202957	14084	" " Connection with 202009 and two 200054E, for 203925
202955	14084	Arm Shaft Connection 203964 with 203966, two each 200822C, 201525E and 202668
202956	14084	Arm Shaft Connection Slide Block, for 203925
202957	14084	Arm Shaft Connection Slide Block Stud
202952	14085	Bobbin Case Tension Spring, for 221813
		Nos. 202954 to 202956, for 202956
202954	14085	Bobbin Case Stop
202955	14085	" " " Spring
202956	14085	" " " Bracket
202957	14088	Face Plate with 202023, 202087, 204281 and four 20036PH, for 221839
202959	14086	Feed Bar with 204340, for 221844
202940	14086	" " Adjusting Spring (flat), for 221844
202941	14086	Feed Bar Spring (apical)
202943	14084	" Driving Crank, for 205977
202944	14084	" " " Link, for 205977
202945	14086	" " Rock Shaft with two each 200415C and 201525E
202946	14086	Feed Driving Rock Shaft Crank with two each 200378C, 200415C and 201525E
202947	14086	Feed Driving Rock Shaft Crank Connection with 200819C
202948	14085	Feed Lifting Cam with 200390C and 202126, for 203955
202950	14086	Feed Regulating Handle Escutcheon
*202951	-----	" Regulator and Reverser, for 221841
202954	14086	" " " " Stop Screw Washer

## NUMERICAL LIST OF PARTS

No.	Plate	Name
203955	14085	Hook 208742 with 203948 and 203956, for 221819
203956	14085	Hook Washer, for 203955
203957	14087	Needle Bar with 200117F, 200175D and 203967
203958	14087	Presser Bar (hollow) with 200074F
203959	14087	Needle Bar Connecting Link
203961	14087	Take-up Lever with 201816
203964	14088	Thread Controller Spring, for 203965
203965	14088	Thread Controller complete, Nos. 200300C, 200581H, 202084, 202098, 203964, 204274, 204275 and 204333, for 221839
203966	14085	Bobbin Case Stop Bracket complete, Nos. 200390C, 203934 to 203936 and 205979
203967	14087	Needle Bar Thread Guide, for 203957
203972	14091	Knee Lifter Connection Lever Lifting Rod with 202302, for 221847
204058	14088	Thread Retainer Stud, for 204059
204059	14088	Thread Retainer complete, Nos. 202091, 202092 and 204058, for 221839
204163	14084	Arm Cap
204189	14086	Feed Bar Spring Hook (on Bed)
204213	14086	" Regulator and Reverser Sleeve (split)
204234	14086	Feed Regulator and Reverser Stop Pin, for 221803
204271	14088	Tension Washer (steel), for 221840
204274	14088	Thread Controller Plate, for 203965
204275	14088	" " Roller Guard, for 203965
204281	14088	" Retainer Guide Wire, for 203957
204296	14084	Spool Holder Wire, for 204297
204297	14084	Spool Holder complete, Nos. 200079H, 202068 and 204296
204333	14088	Thread Controller Spring Guard, for 203965
204340	14086	Feed Bar Spring Hook, for 203939
204795	14088	Thread Controller Spring Stud with 204925, for 221839
204925	14090	Bobbin Winder Spindle Washer, for 221815
204925	14088	Thread Controller Spring Stud Washer, for 204795
204986	14090	Hand Wheel Latch Spring, for 202130
205656	14088	Tension Washer (felt), for 221840
205921	14090	Bobbin Winder Pulley Friction Ring (rubber)
205949	14090	Hand Wheel Bracket complete, Nos. 202123, 202124 and 202130
205965	14085	Hook Shaft Bushing, for 221838
205977	14084	Feed Driving Crank 203943 with 200252C, 201531E and 203944
205979	14085	Bobbin Case Stop Hinge Pin, for 203966
205980	14085	Hook Shaft Crank 208825 with two 200378C
208696	14087	Tension Slide, for 202076

## NUMERICAL LIST OF PARTS

No.	Plate	Name
*208712	-----	Hand Wheel 202116 with 202121 and 208715, for 202117
208715	14090	Hand Wheel Crank Lock Pin Spring, for 208712
*208735	-----	Needle Bar Connecting Stud, for 208736
208736	14087	" " " " 208735 with two 200387C
*208741	-----	Hook Shaft, 9-7/8 in. long, for 208742
208742	14085	" 202051 with 200610F, 200611F, 202063, 202064 and 208741, for 203955
208825	-----	Hook Shaft Crank, for 205980
*221803	-----	Arm with 200009H, 202002, 203922 and 204234
221804	14084	Balance Wheel with 200335C, 200338C, 202111 and two 200079H
		Nos. 221805 to 221810, for 221811
221805	14089	Belt Guide (back) (adjustable) with 350093C and two 200798E
221806	14089	Belt Guide (back) Adjusting Slide with 200681C
221807	14089	Belt Guide (front) (adjustable)
221808	14089	" " Adjusting Lever with 200861B
221809	14089	" " " " Bolster with 200798E
221810	14089	Belt Guide Base Plate
221811	14089	Adjustable Belt Guide Attachment complete, Nos. 201535E, 221805 to 221810, 350094D, 350095C, two 350092D and three 201556D
*221812	-----	Bobbin Case, for 221813
221813	14085	Bobbin Case complete, Nos. 200594C, 200984C, 202055 to 202058, 202100, 202101, 203932 and 221812, for 221819
221814	14090	Bobbin Winder Frame, for 221815
221815	14090	Bobbin Winder complete, Nos. 202141, 202189, 204925 and 221814
221816	14086	Feed Dog, for 221844
*221817	-----	" Regulating Handle, for 221841
221818	14086	" Regulator and Reverser Stop
221819	14085	Hook and Bobbin Case complete, Nos. 203955 and 221813
221820	14087	Presser Bar Spring
221821	14087	" Foot
221822	14089	Throat Plate, 38 needle hole, for needle sizes 23 and 24
221823	14093	Knee Lifter Rock Lever with three 200528C, for 221826
221825	14093	Knee Lifter Rock Lever Knee Plate Arm, for 221826
221826	14093	Knee Lifter Rock Lever complete, Nos. 2767, 221823, 221825, 227728 and two 221842, for Machine No. 11w6
221827	14094	Machine Base (wood) with 228092, two 227493 and four 225589, for 221837 and Machine No. 11w8

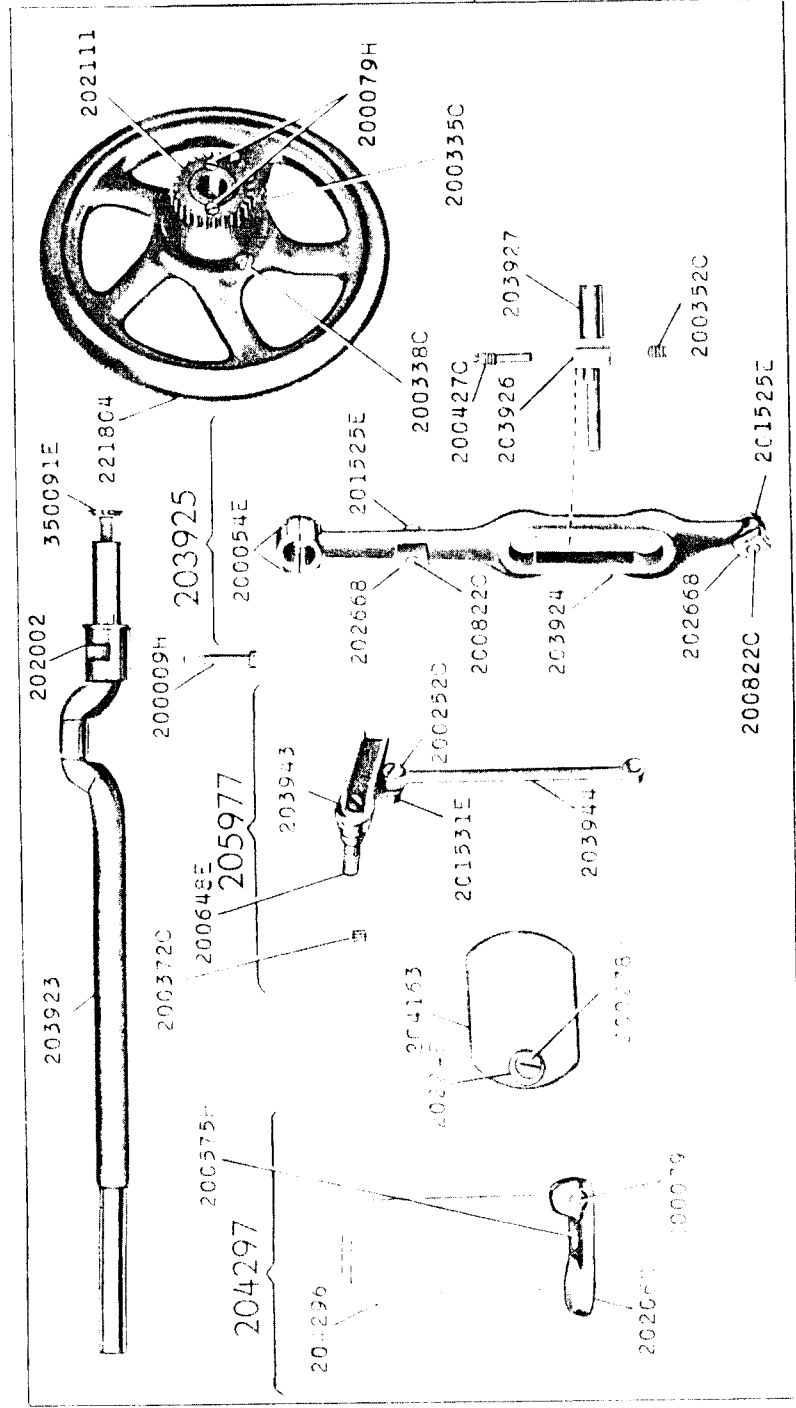
No.	Plate	Name
221828	14094	Machine Base Bracket with four wood screws 7/8 in., No. 12, for 221837 and 221899
221829	14094	Machine Cover
221830	14094	Stool Base with 7005230 and four wood screws 1-1/4 in., No. 12, R. H. B., for 221837
221834	14094	Truck Body, for 221837
221837	14094	Truck complete, Nos. 41400, 221837, 221830, 221834, 227053, two each 221838, 221851 and four 221828, for Machine No. 11w6
*221838	-----	Bed with 2003280 and 205965
221839	14088	Face Plate complete, Nos. 130057730, 203937, 203965, 204019, 204735 and 221840
221840	14088	Tension complete, Nos. 200630B, 201572H, 202074, 202078, 202079, 202149, 204271 and 205636, for 221839
221841	14086	Feed Regulator and Reverse 203951 with 203964 and 221817
221842	14093	Knee Lifter Rock Lever Knee Plate Arm Collar with two 2005830, for 221826 and 221899
221843	14087	Take-up Cam with 2003500, 2004710 and 2006670
221844	14086	Feed Bar complete, Nos. 2003650, 203959, 203940, 221816 and four 200131E
221845	14092	Drip Pan with four 3/4 in. wire nails
221846	14091	Knee Lifter Connection Lever, for 221847
221847	14091	Knee Lifter Connection Lever 221846 with 203972, 221848 and two 20062H
221848	14091	Knee Lifter Lifting Lever, for 221847
221849	14094	Truck Caster with four 1-1/4 in. No. 14 wood screws, for 221837
221851	14094	Truck Caster (swivel) with four 1-1/4 in., No. 14 wood screws, for 221837
221897	14095	Knee Lifter Rock Lever with three 2005280, for 221899
221898	14095	Knee Lifter Rock Lever Knee Plate Arm, for 221899
221899	14095	Knee Lifter Rock Lever complete, Nos. 2767, 221897, 221898, 227729, two each 221828 and 221842, for Machine No. 11w8
225497	14097	Bobbin Case Screw Driver
225498	14097	Screw Driver (7-1/4 in. long)
225553	14097	Wrench (steel)
225589	14094	Machine Cushion (leather), for 221837
227053	14094	Stool Seat 227134 with 227132, for 221837
227132	14094	Stool Seat Bracket with 227556 and three wood screws 1 in., No. 12, for 227053

No.	Plate	Name
227134	14094	Stool Seat, for 227053
227493	14094	Machine Hinge Plate 202259 with two wood screws 7/8 in., No. 12H, for 221827
227556	14094	Stool Seat Spindle, for 227132
227728	14095	Knee Lifter Rock Lever Rod, 3 in. long with 227729, for 221826 and 221899
*227729	-----	Knee Lifter Rock Lever Rod Cap or Oil Guard, for 227728
228032	14094	Machine Button with one wood screw 1-1/4 in., No. 14, R. H. B., for 221827
350001E	14084	Balance Wheel Adjusting Screw,
350002D	14089	Belt Guide (back) (adjustable) Cover, for 221811
350003C	14089	Belt Guide (back) Adjusting Slide, Position Screw, for 221805
350004D	14089	Belt Guide Adjusting Lever Hinge Screw for 221811
350005C	14089	Belt Guide Adjusting Lever Position Screw, for 221811

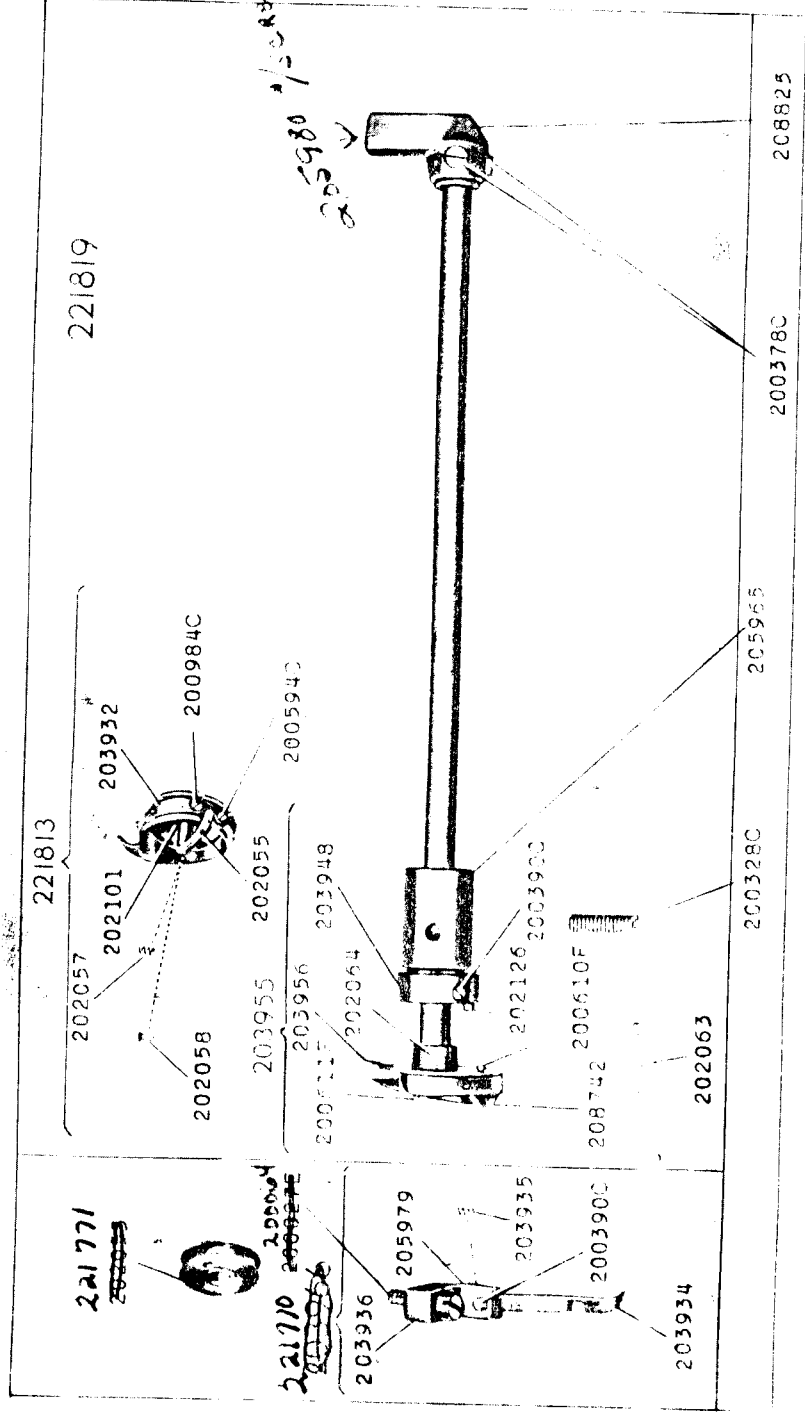
**Genuine Singer Needles should be used  
in Singer Machines.  
These Needles and their Containers  
are marked with the  
Company's Trade Mark "SIMANCO." 1**

**Needles in Containers marked  
"For Singer Machines"  
are not Singer made needles. 2**

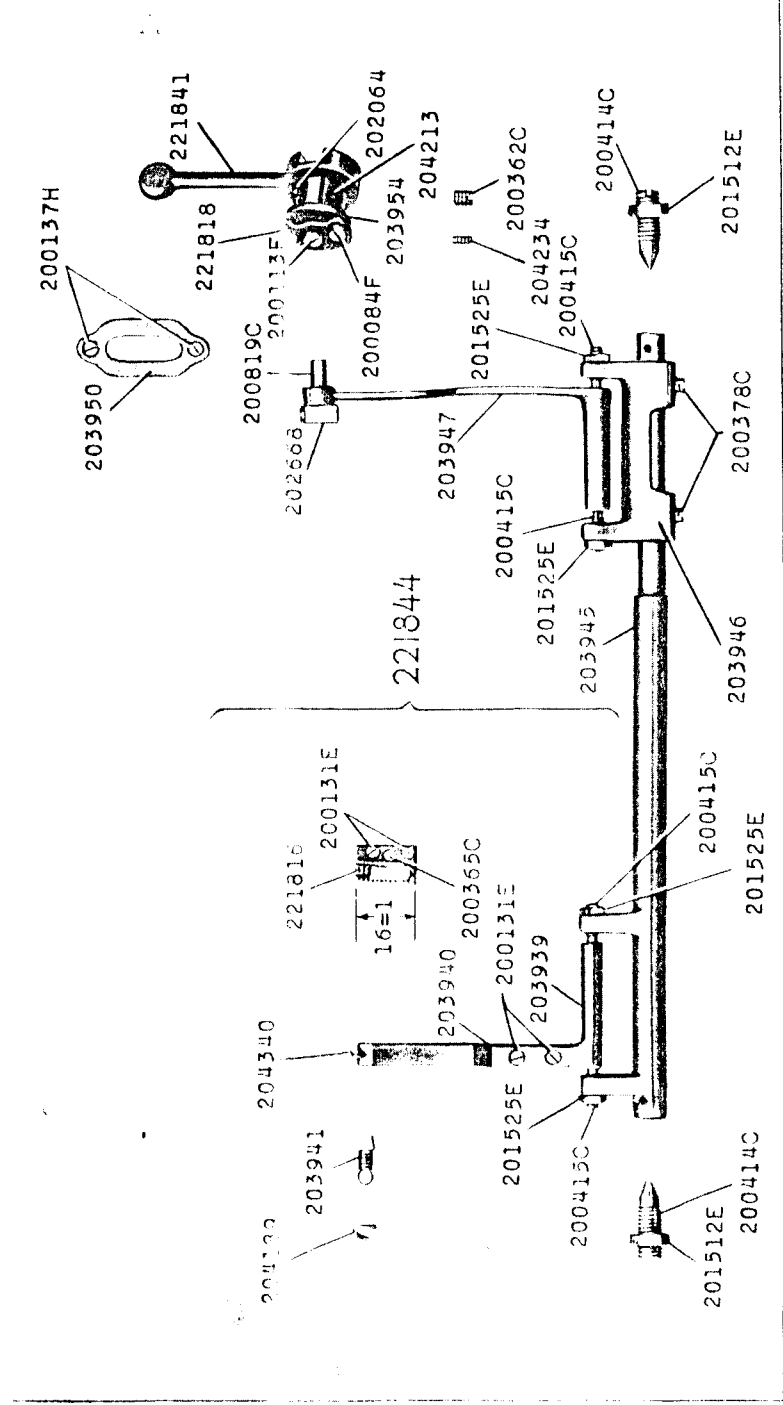
# ILLUSTRATIONS OF PARTS



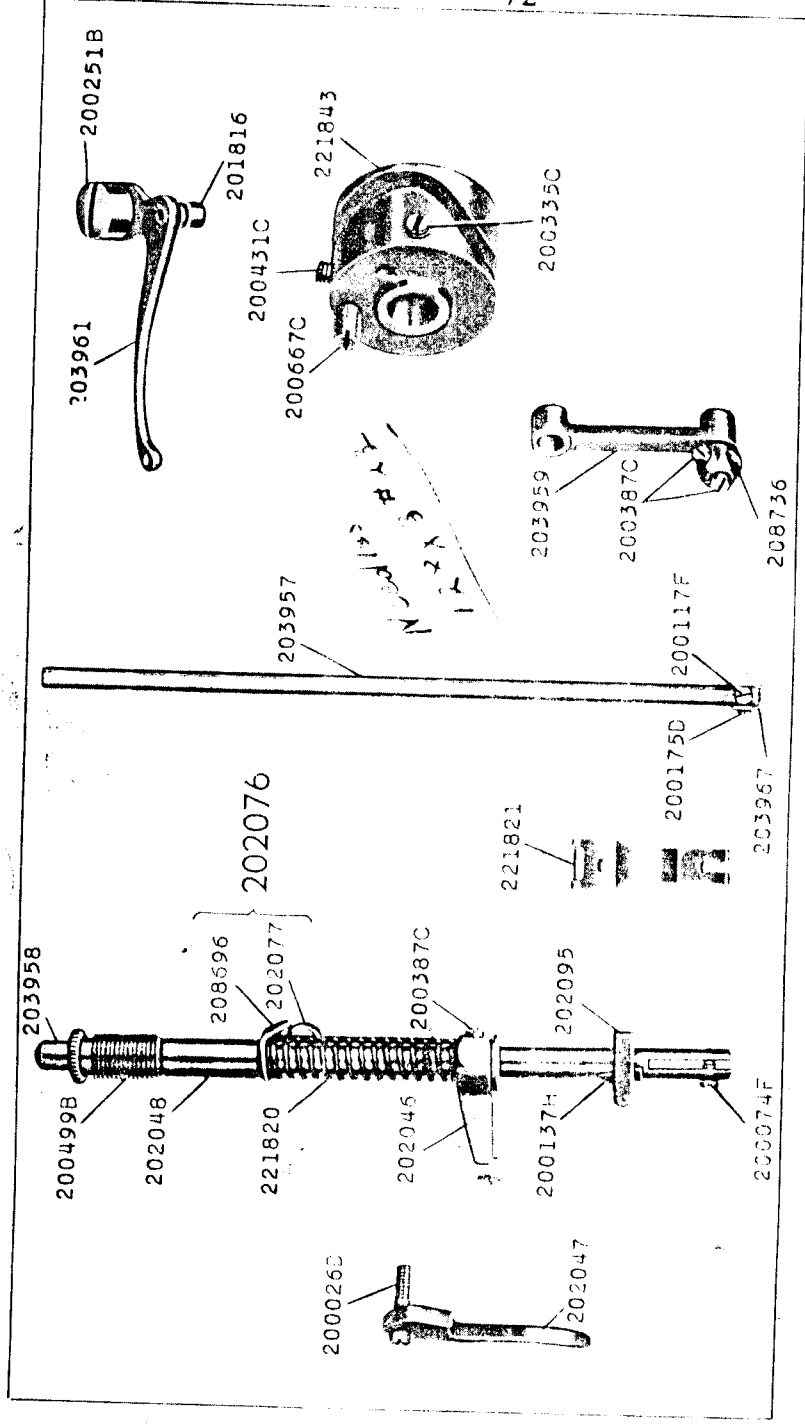
14085 - 1/2



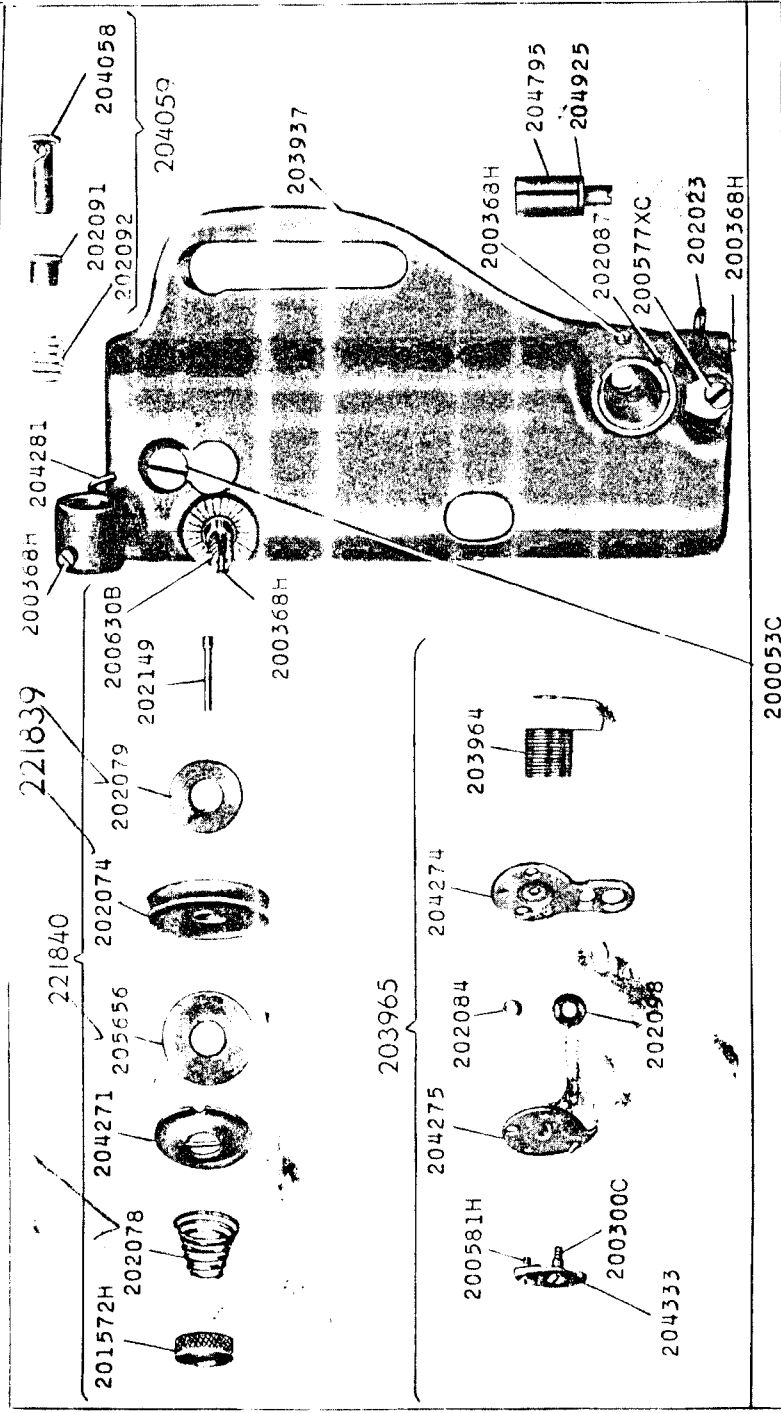
14086 - 3/8



14087 - 1/2

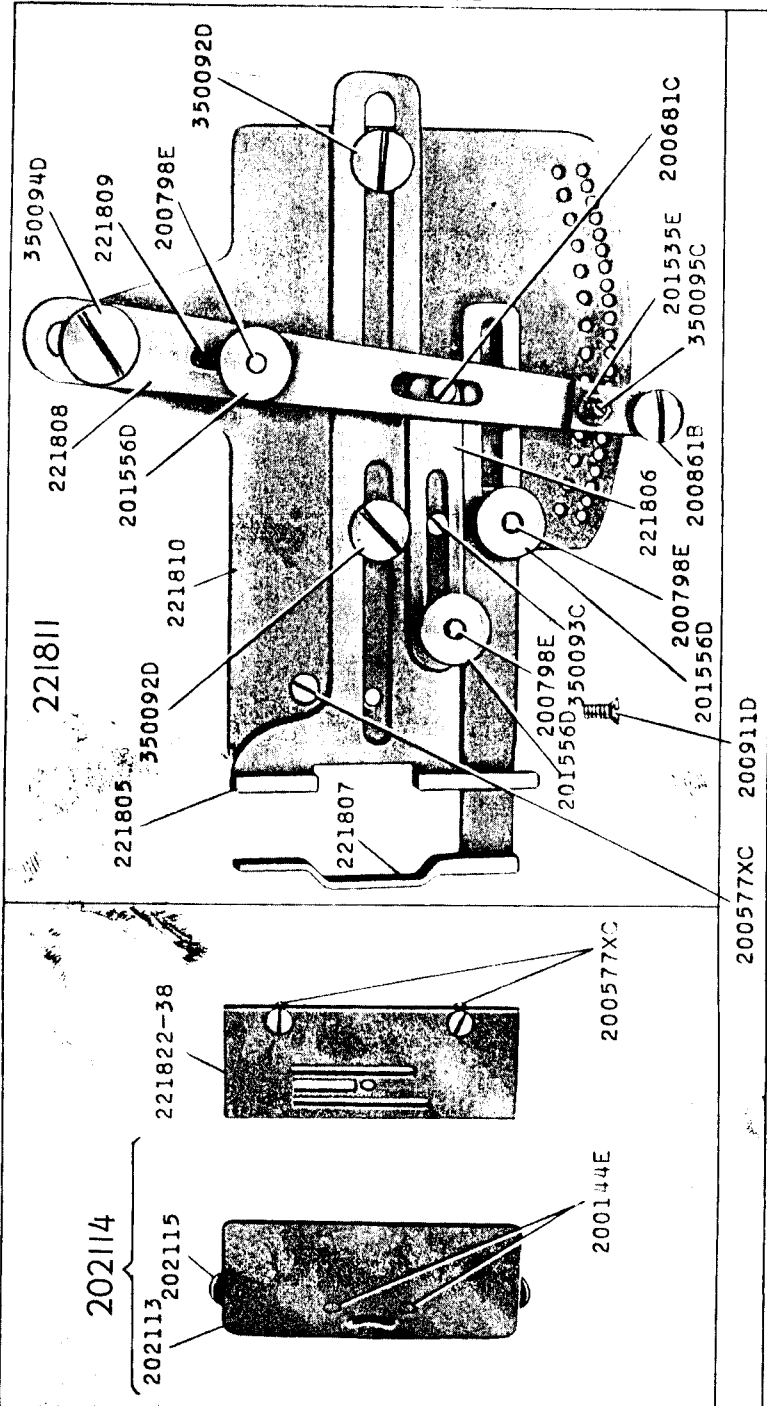


14088 - 5/8

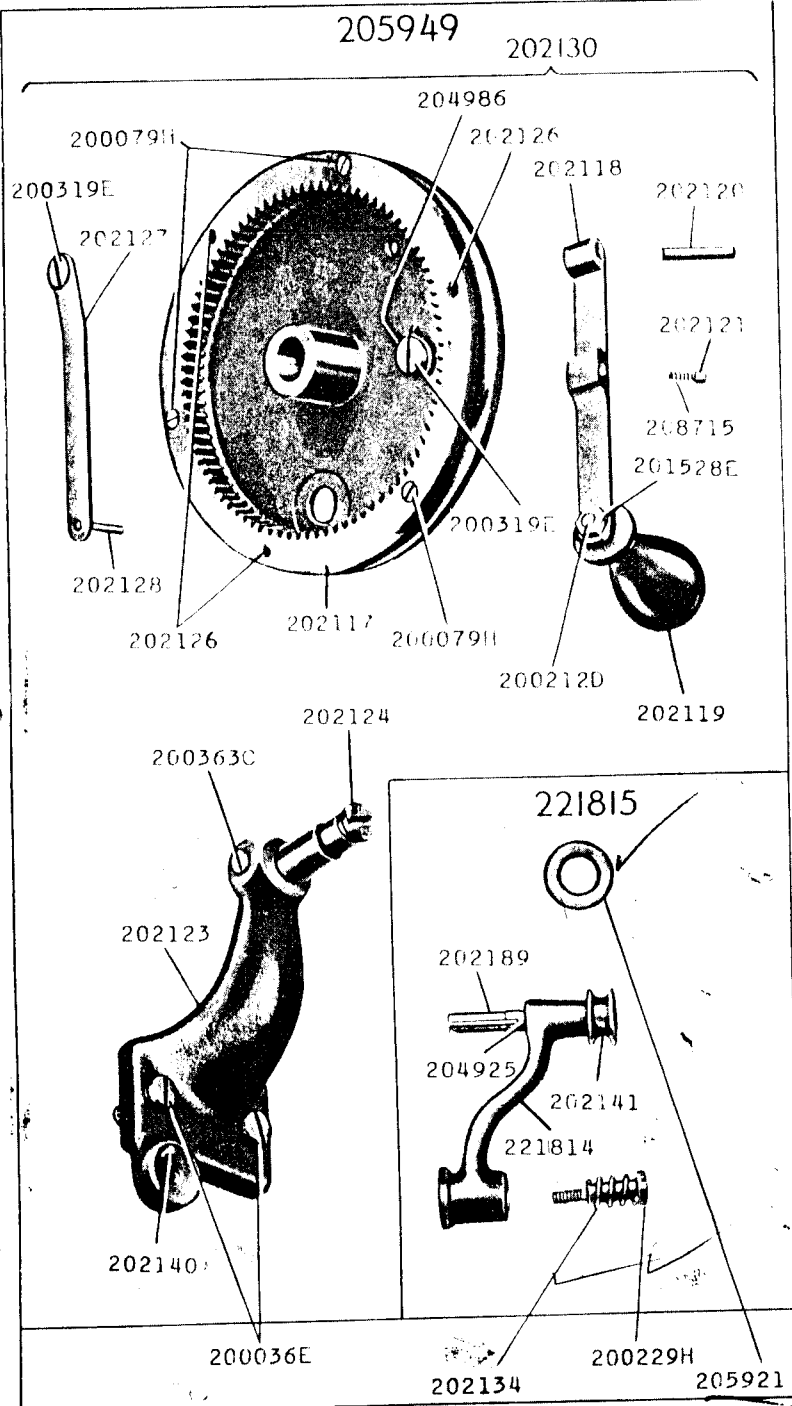




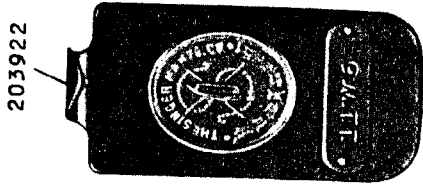
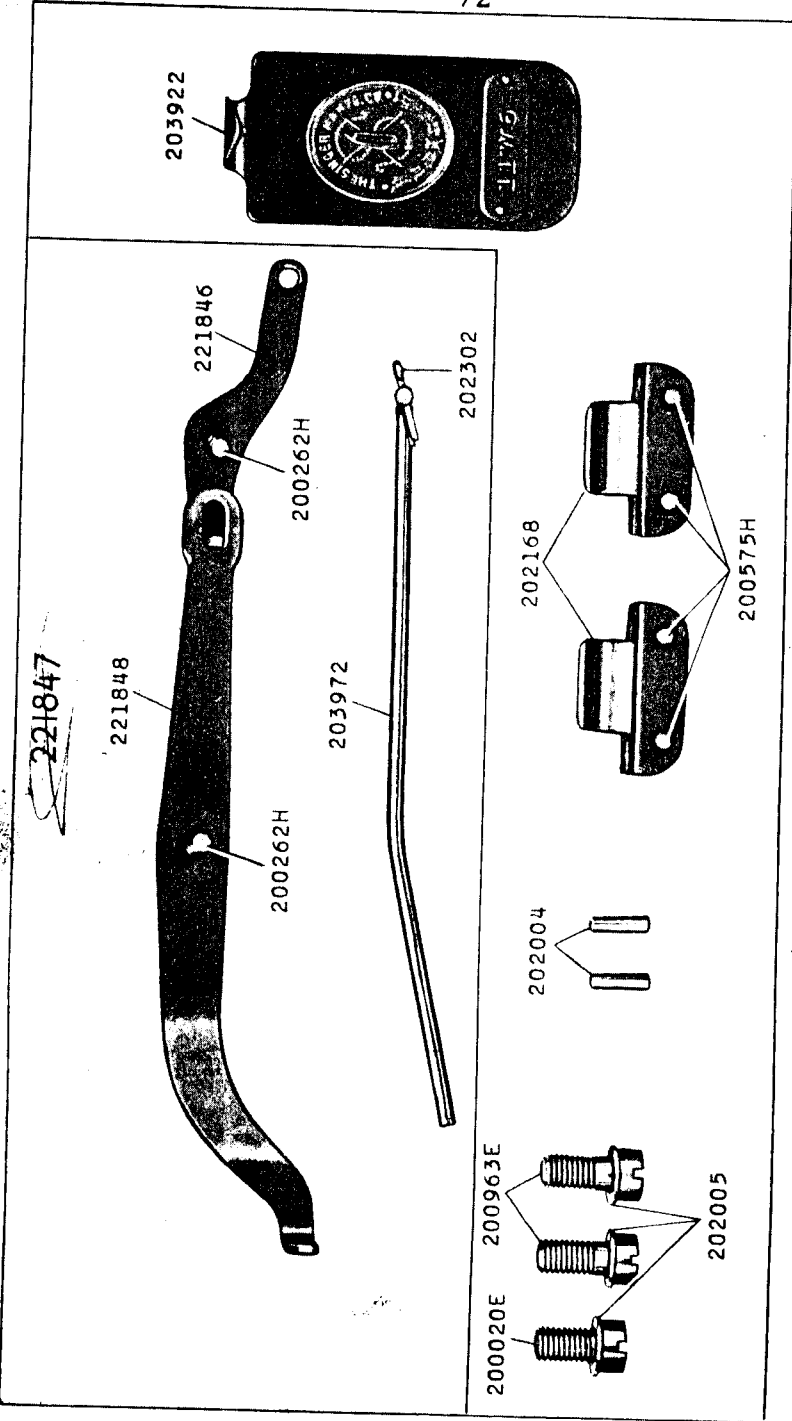
14089 - 5/8



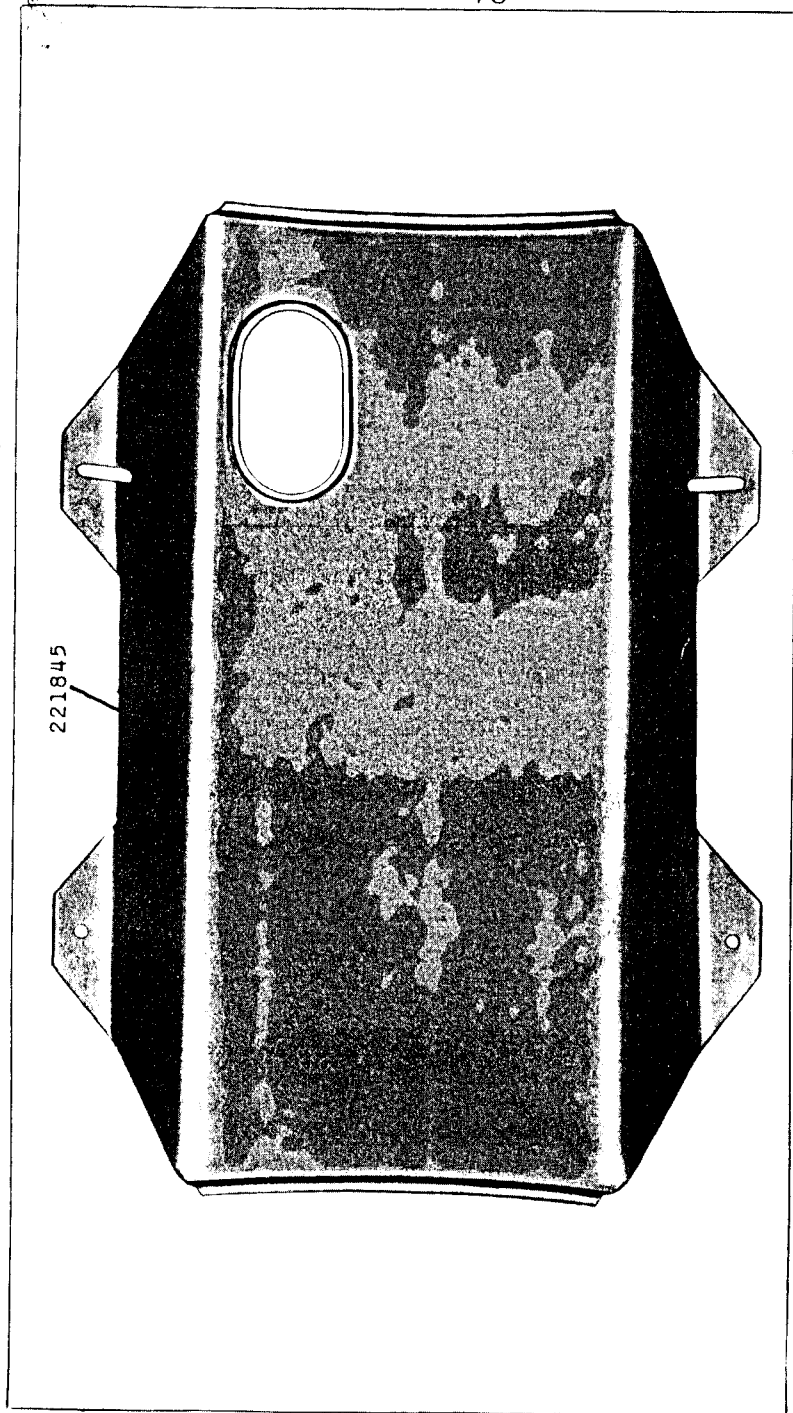
14090 - 1/2



14091 - 1/2

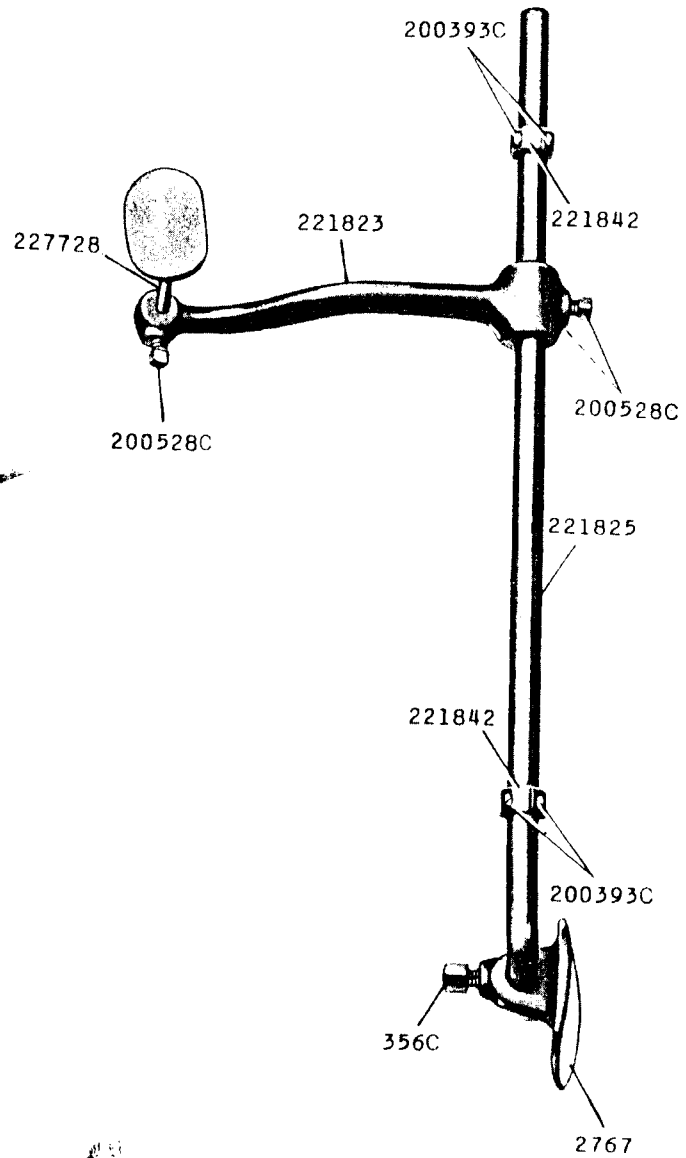


14092 - 3/8



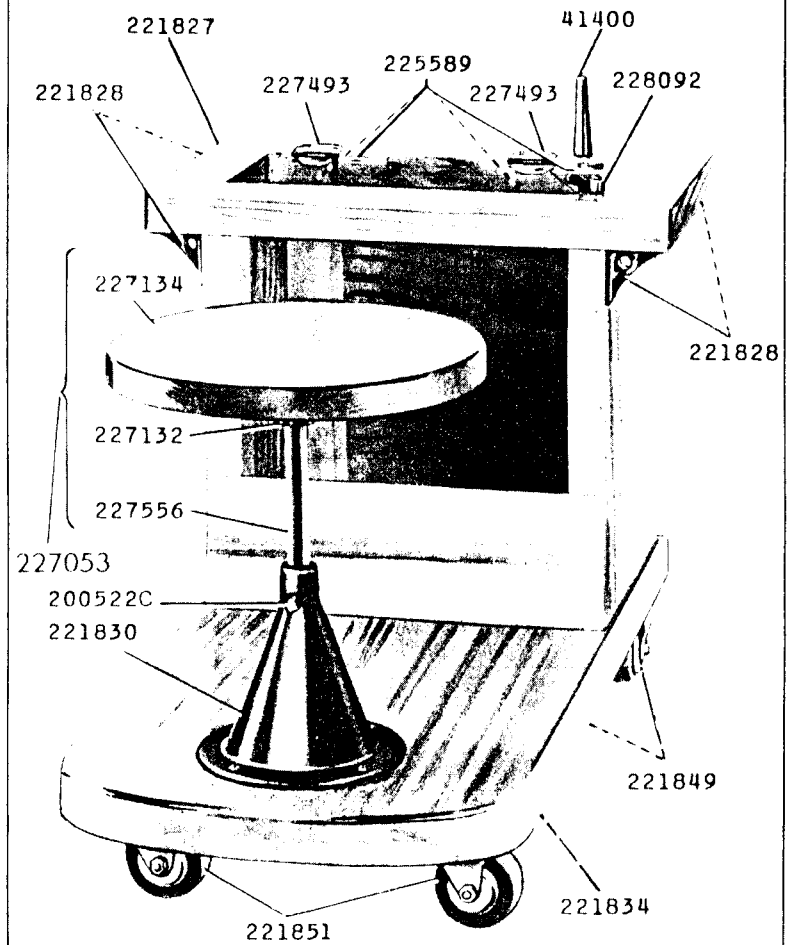
14093 - 3/8

221826



14094 - 1/7

221837

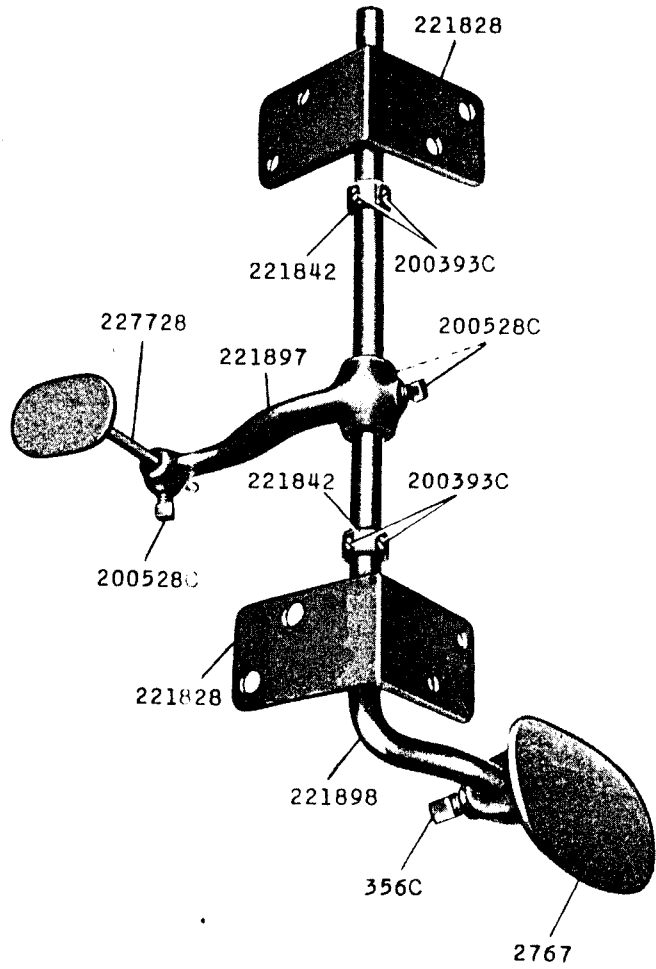


221829

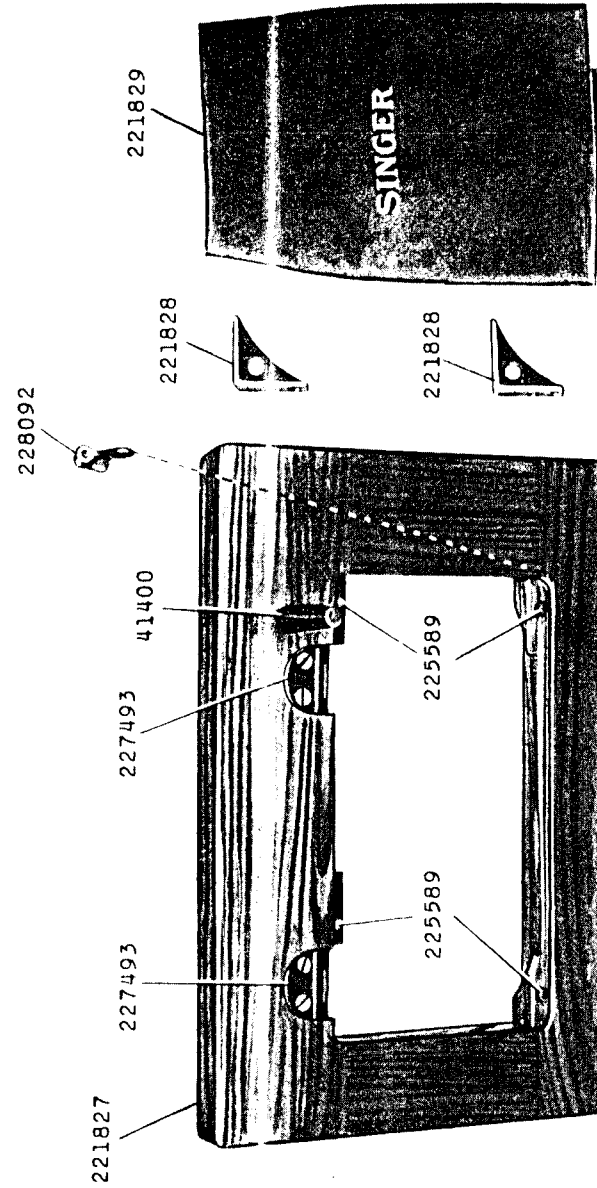


14095 - 3/8

221899

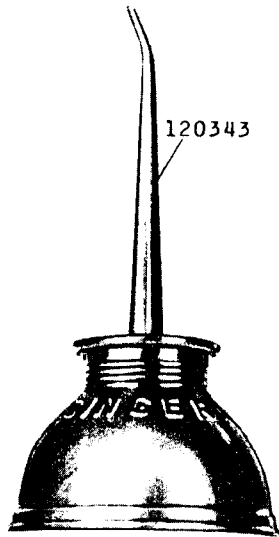


14096 - 1/5



14097 - 1/2

120342



225498



225497



225553

