

# "Genuine" Parts For Eastman Chickadee® II

## Model D2H and Model D2



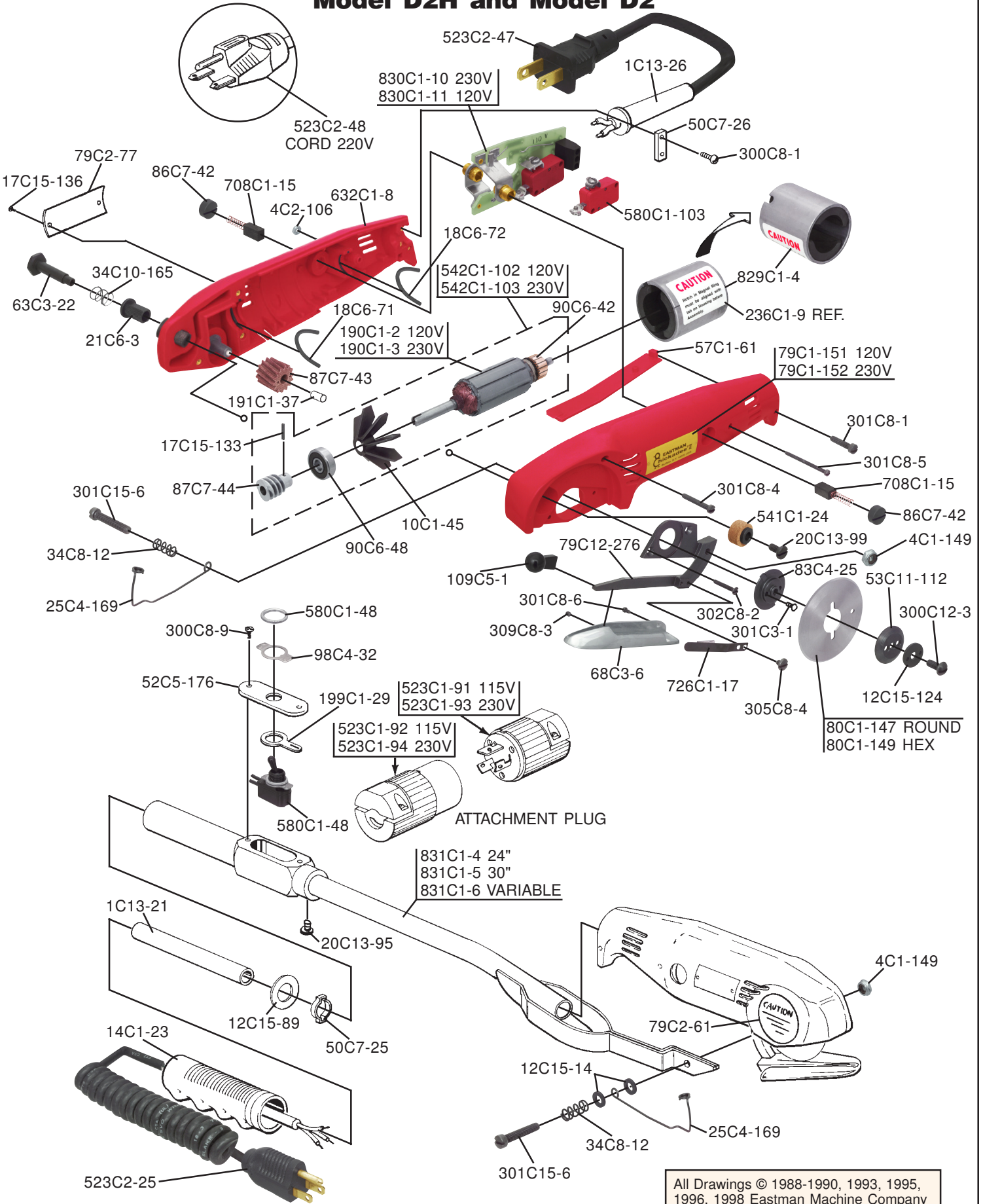
Model D2H

Model D2

Univ. Number	Eastman Number	Description	Univ. Number	Eastman Number	Description
	1C13-21	Sleeve		190C1-3	Armature (230 Volt)
	1C13-26	Cord Sleeve		191C1-37	Wicking Felt
<b>GE1735</b>	4C1-149	Hex Nut		199C1-29	Lug
<b>GE1828</b>	4C2-106	Hex Nut		300C8-1	Rd. Head Screw (4-40 x 3/8") (2)
	10C1-45	Fan		300C8-9	Round Head Screw (4-40 x 3/16")
<b>GE1382</b>	12C15-14	#10 Flat Washer	<b>GE1574</b>	300C12-3	Round Head Screw (8-32 x 3/8")
	12C15-89	Washer		301C3-1	Fil. Head Screw (2-56 x 1/2") (2)
<b>GE1693</b>	12C15-124	Washer For Blade Retainer	<b>GE1715</b>	301C8-1	Fillister Head Screw (4-40 x 1/2")
	14C1-23	Handle Grip	<b>GE1845</b>	301C8-4	Fillister Head Screw (4-40 x 3/4")
<b>GE1830</b>	17C15-133	Armature Pin	<b>GE1847</b>	301C8-6	Fillister Head Screw (4-40 x 3/16")
	17C15-136	Pin Label (4)	<b>GE1848</b>	301C15-6	Fillister Head Screw (10-32 x 1")
<b>GE1831</b>	18C6-71	Front "O" Ring Half (2)	<b>GE1691</b>	302C8-2	Flat Head Screw (4-40 x 3/4") (2)
<b>GE1832</b>	18C6-72	Back "O" Ring Half (2)	<b>GE1695</b>	305C8-4	Binding Head Screw (4-40 x 1/8") (2)
<b>GE1689</b>	20C13-99	Pan Head Screw	<b>GE1849</b>	309C8-3	Socket Head Screw (4-40 x 1/8")
<b>GE1677</b>	21C6-3	Sharpener Bushing		523C1-91	Attachment Plug (120 Volt - Male)
<b>GE1054</b>	25C4-169	Knife Guard		523C1-92	Attachment Plug (120 Volt - Female)
<b>GE1833</b>	34C8-12	Spring		523C1-93	Attachment Plug (230 Volt - Male)
<b>GE1678</b>	34C10-165	Sharpener Spring		523C1-94	Attachment Plug (230 Volt - Female)
	50C7-25	Cord Clamp (D-2H)	<b>GE1850</b>	523C2-25	Cord (120 Volt)
	50C7-26	Cord Clamp (D-2)		523C2-41	Cord (230 Volt)
	52C5-176	Base Switch		523C2-46	Cord (230 Volt - Europe)
<b>GE1692</b>	53C11-112	Knife Cover Flange	<b>GE1851</b>	523C2-47	Cord Assembly (120 V. - Domestic)
	57C1-61	Switch Lever		523C2-48	Cord Assembly (230 V. - Domestic)
<b>GE1676</b>	63C3-22	Sharpener Button	<b>GE1203</b>	541C1-24	Emery Wheel Assembly
<b>GE1836</b>	68C3-6	Pressure Foot	<b>GE1852</b>	542C1-102	Armature Assembly (120 Volt)
	79C1-151	Plate (No. 120V)		542C1-103	Armature Assembly (230 Volt)
	79C1-152	Plate (No. 230V)	<b>GE1425</b>	580C1-48	Switch (D-2H)
	79C2-61	Caution Plate	<b>GE1682</b>	580C1-103	Switch (D-2)
	79C2-77	Name Plate		614C1-31	Fan & Bearing
<b>GE1685</b>	79C12-276	Gear Retaining Plate	<b>GE1854</b>	632C1-8	Housing, Complete w/Switch Lever
<b>GE1327</b>	80C1-147	Round Knife (2-1/4")	<b>GE1675</b>	708C1-15	Brush w/Spring (2)
<b>GE1328</b>	80C1-149/2	Hex Knife (2-1/4")	<b>GE1694</b>	726C1-17	Shear Plate w/Carbide
<b>GE1690</b>	83C4-25	Knife Flange		831C1-4	Handle & Tube Assembly (24" Long)
<b>GE1674</b>	86C7-42	Brush Cap (2)		831C1-5	Handle & Tube Assembly (30" Long)
<b>GE1679</b>	87C7-43	Knife Gear		831C1-6	Variable Length (Specify)
<b>GE1839</b>	87C7-44	Worm Gear			Handle & Tube Assembly
	90C6-42	Rear Bearing	<b>GE1688</b>	829C1-4	Magnet Assembly
<b>GE1840</b>	90C6-48	Front Bearing		830C1-10	Circuit Board Assembly (230 Volt)
	95C5-7	Allen Key	<b>GE1681</b>	830C1-11	Circuit Board Assembly (120 Volt)
	98C4-32	On/Off Plate			
<b>GE1841</b>	109C5-1	Tip Shear Plate			
<b>GE1683</b>	190C1-2	Armature (120 Volt)			

**Note:** Number in parenthesis indicate quantity of a part required.

# Model D2H and Model D2



All Drawings © 1988-1990, 1993, 1995, 1996, 1998 Eastman Machine Company