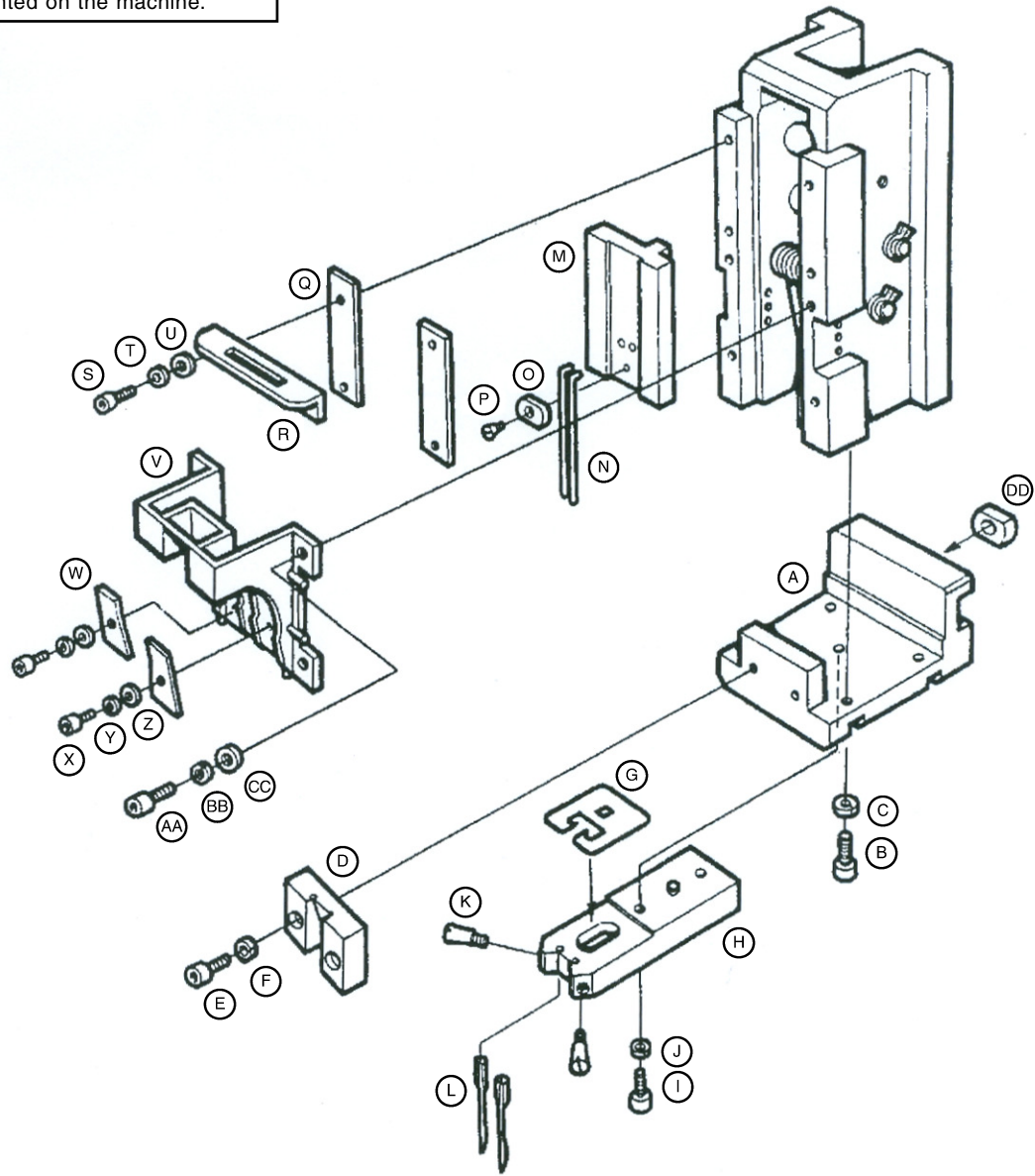


Parts for Avery Dennison ST9000™ Plastic Staple® Attacher — New Style — Head — External Parts 2

Note: New style ST9000 have the Style Number 10646-1, which is printed on the machine.



Univ. Number	Fig.	Part Number	Description	Qty.
16015	A	DT0117-001	Block, needle holder	1
	B	018401-031	Screw M4 x 10mm	4
	C	028040-242	Lock washer D4	4
16016	D	DT0118-001	Knife block	1
	E	018400-831	Screw M4 x 8mm	2
	F	028040-242	Lock washer D4	2
	G	ST0119-001	Knife	1
16017	H	ST0120-001	Assembly, needle holder	1
	I	018401-231	Screw M4 x 15mm	2
	J	028040-242	Lock washer D4	2
16018	K	DT0122-001	Screw, needle lock	2
	L	7-60-4508-01	Needles, Plastic Staple™ Fine Fabric™	2
	M	DT0125-001	Ejector slide	1
16003	N	7-60-2733-01	Ejector rod	2
	O	DT0128-001	Ejector rod washer	1

Univ. Number	Fig.	Part Number	Description	Qty.
16025	P	DT0158-001	Screw M3 x 8mm	1
	Q	DT0129-001	Screw plate	2
	R	DT0130-001	Upper feed guide	1
	S	DT0159-001	Button screw M4 x 10mm	4
	T	026040-136	Washer D4	4
	U	028040-242	Lock washer D4	4
16020	V	DT0131-001	Assembly, feed guide	1
16021	W	DT0135-001	Guide plate	2
	X	018300-631	Screw M3 x 6mm	2
	Y	028030-242	Lock washer D3	2
	Z	026030-232	Washer D3	2
	AA	018400-831	Screw M4 8mm	4
	BB	026040-136	Washer D4	4
	CC	028040-242	Lock washer D4	4
	DD	DT0224-001	Bushing, crank	1