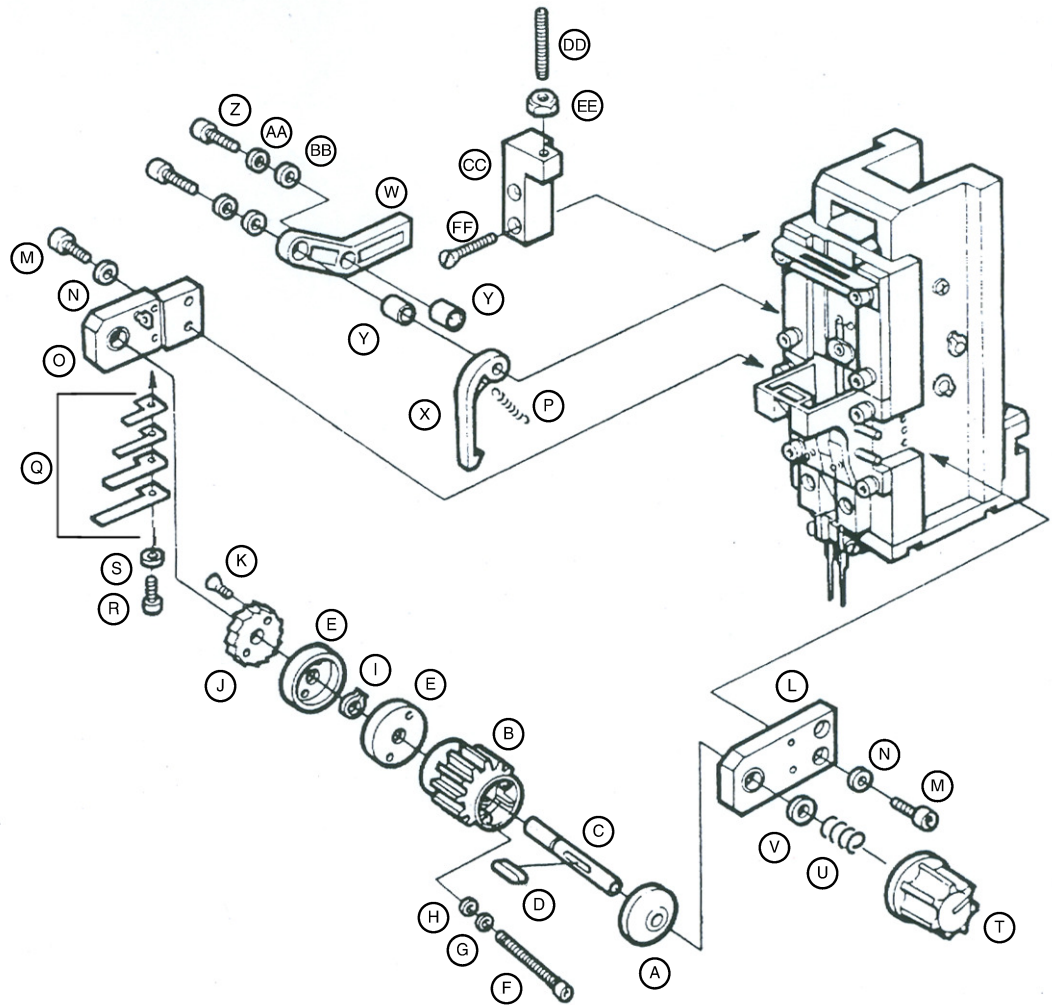


Parts for Avery Dennison ST9000™ Plastic Staple® Attacher — New Style — Head — External Parts 1

Note: New style ST9000 have the Style Number 10646-1, which is printed on the machine.



Univ. Number	Fig.	Part Number	Description	Qty.
		A	DT0137-001 Feed collar	1
16032		B	DT0138-001 Feed gear	1
		C	DT0139-001 Feed shaft	1
		D	DT0140-001 Key	1
16036		E	DT0141-001 Clutch, ratchet	2
		F	018303-031 Screw M3 x 30mm	2
		G	026030-232 Washer D3	2
		H	028030-242 Lock washer D3	2
		I	048060-142 C-ring 6	1
		J	DT0143-001 Feed ratchet	1
16025		K	DT0158-001 Screw M3 x 8mm	2
		L	DT0145-001 Assembly, support plate right	1
		M	018401-031 Screw M4x10mm	4
		N	028040-242 Lock washer D4	4
		O	DT0147-001 Assembly, support plate left	1
		P	DT0149-001 Pawl spring	1
16023		Q	DT0150-001 Anti-back, ratchet (welded together as one piece)	1

Univ. Number	Fig.	Part Number	Description	Qty.
16037		R	018300-631 Screw M3 x 6mm	1
		S	028030-242 Lock washer D3	1
		T	DT0151-001 Feed knob	1
		U	DT0152-001 Feed spring	1
		V	025060-232 Washer D6	1
		W	DT0154-001 Feed lever	1
16024		X	DT0155-001 Feed pawl	1
		Y	DT0156-001 Spacer 6	2
		Z	018401-231 Screw M4 x 12mm	2
		AA	028040-242 Lock washer D4	2
		BB	026040-136 Washer D4	2
		CC	DT0212-001 Feed stop	1
		DD	012502-531 Screw M5 x 25mm	1
		EE	021500-305 Nut M5	1
16034		FF	DT0229-001 Screw M4 x 20mm	2