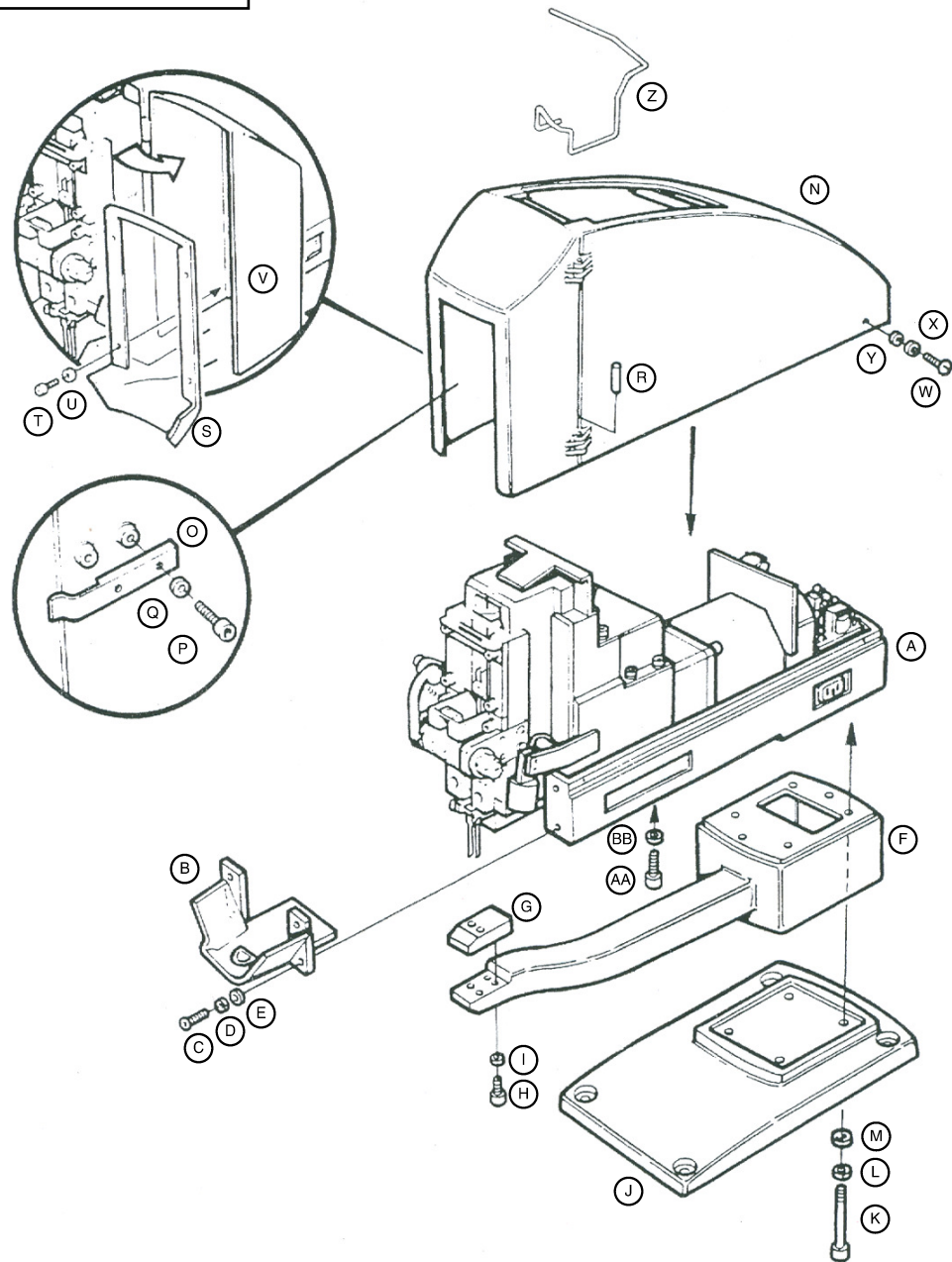


Parts for Avery Dennison ST9000™ Plastic Staple® Attacher — New Style — Enclosure, Frame and Reactor

Note: New style ST9000 have the Style Number 10646-1, which is printed on the machine.



Univ. Number	Fig.	Part Number	Description	Qty.
16010	A	ST0002-001	Assembly, frame	1
	B	DT0007-001	Needle guard	1
	C	DT0029-001	Button screw M4x8	4
	D	028040-242	Lock washer D4	4
	E	026040-136	Washer D4	4
	F	DT0008-001	Assembly, reactor arm	1
	G	DT0010-001	Reactor plate	1
	H	018400-831	Screw M4x8	2
	I	028040-242	Lock washer D4	2
	J	DT0012-001	Base	1
	K	018089-531	Screw M8x95mm	4
	L	028080-242	Lock washer D8	4
	M	025080-132	Washer D8	4
	N	DT0013-001	Assembly, enclosure	1

Univ. Number	Fig.	Part Number	Description	Qty.
16011	O	DT0018-001	Spring, front door	1
	P	140001057701	Screw M4x8mm	2
	Q	140012012198	Lock washer D4	2
	R	DT0022-001	Pin, hinge	2
16012	S	DT0027-001	Door, needle guard	1
	T	018300-631	Screw M3x6mm	4
	U	DT0028-001	Washer M3x12	4
	V	DT0024-001	Assembly, Door, enclosure	1
16013	W	DT0029-001	Button screw M4x8	4
	X	028040-242	Lock washer D4	4
	Y	026040-136	Washer D4	4
	Z	DT0030-001	Reel support	1
	AA	018061-531	Screw M6x15mm	4
	BB	028060-242	Lock washer D6	4