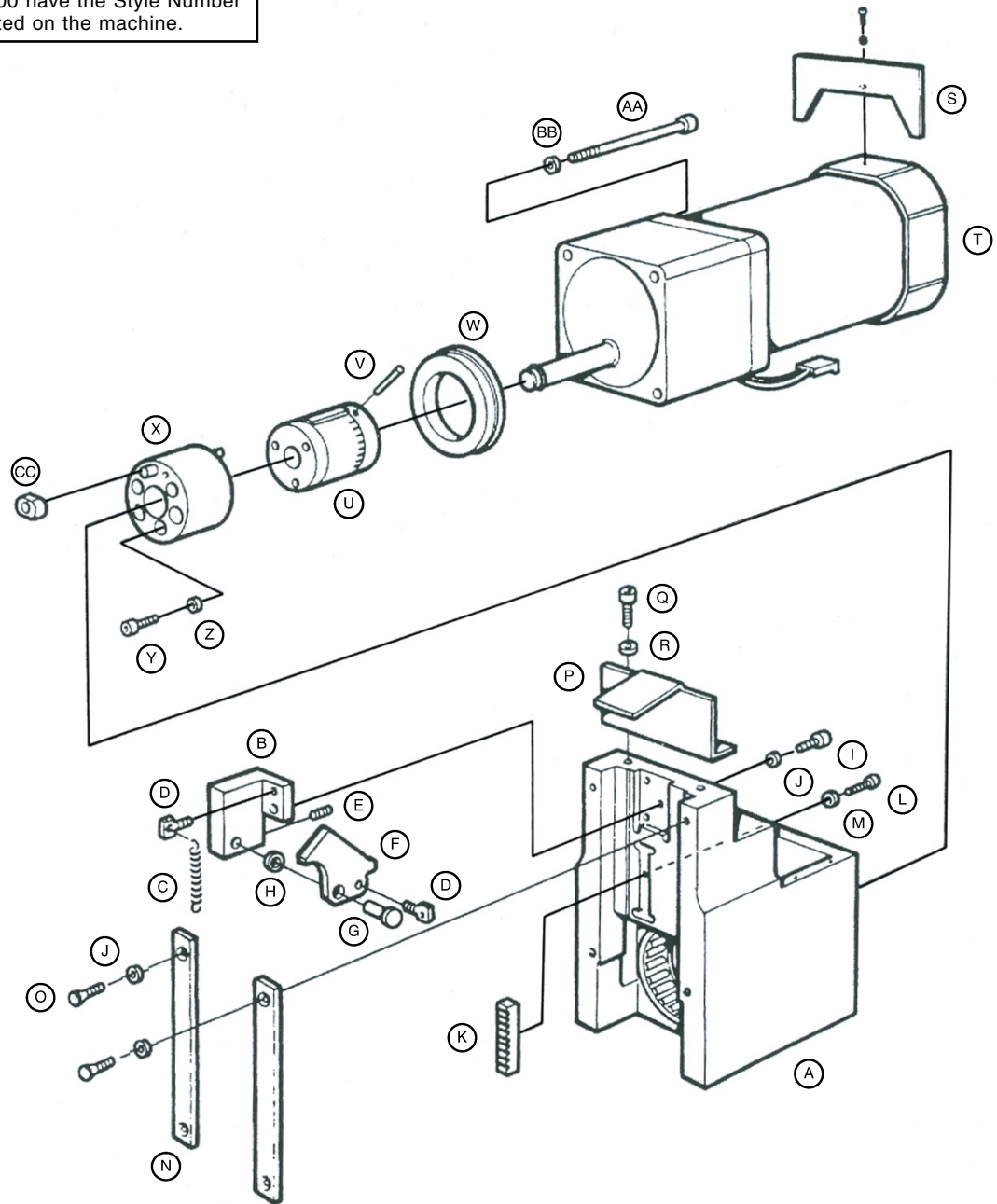


Parts for Avery Dennison ST9000™ Plastic Staple® Attacher — New Style — Motor and Drive Train

Note: New style ST9000 have the Style Number 10646-1, which is printed on the machine.



Univ. Number	Fig.	Part Number	Description	Qty.
		A	ST0202-001 Subassembly, mount	1
16022		B	DT0206-001 Support, knife cam	1
		C	DT0149-001 Pawl spring	1
		D	DT0163-001 Spring post	2
		E	012300-531 Screw M3 x 5mm	1
16033		F	DT0207-001 Knife cam	1
		G	DT0209-001 Shaft, knife cam	1
		H	026040-136 Washer D4	1
		I	018401-031 Screw M4 x 10mm	3
		J	028040-242 Lock washer D4	3
		K	DT0210-001 Rack, stationary	1
		L	018300-831 Screw M3 x 10mm	1
		M	028030-242 Lock washer D3	1
		N	DT0211-001 Mount clamp	2
		O	140001057701 Screw M4 x 8mm	4

Univ. Number	Fig.	Part Number	Description	Qty.
		P	DT0231-001 Bracket, front safety	1
		Q	018300-831 Screw M3 x 8mm	2
		R	028030-242 Lock washer D3	2
		S	ST0232-001 Bracket, rear safety	1
		T	ST0216-001 Assembly, motor 220V	1
16026		U	ST0218-001 Clutch	1
		V	047503-642 Spring pin 5x36	1
		W	ST0219-001 Ring, motor support	1
		X	ST0220-001 Assembly, crank arm	1
		Y	018501-231 Screw M5 x 12mm	3
		Z	028050-242 Lock washer D5	3
		AA	140001057901 Screw M6 x 65mm	4
		BB	028060-242 Lock washer D6	4
		CC	DT0224-001 Bushing, crank	1