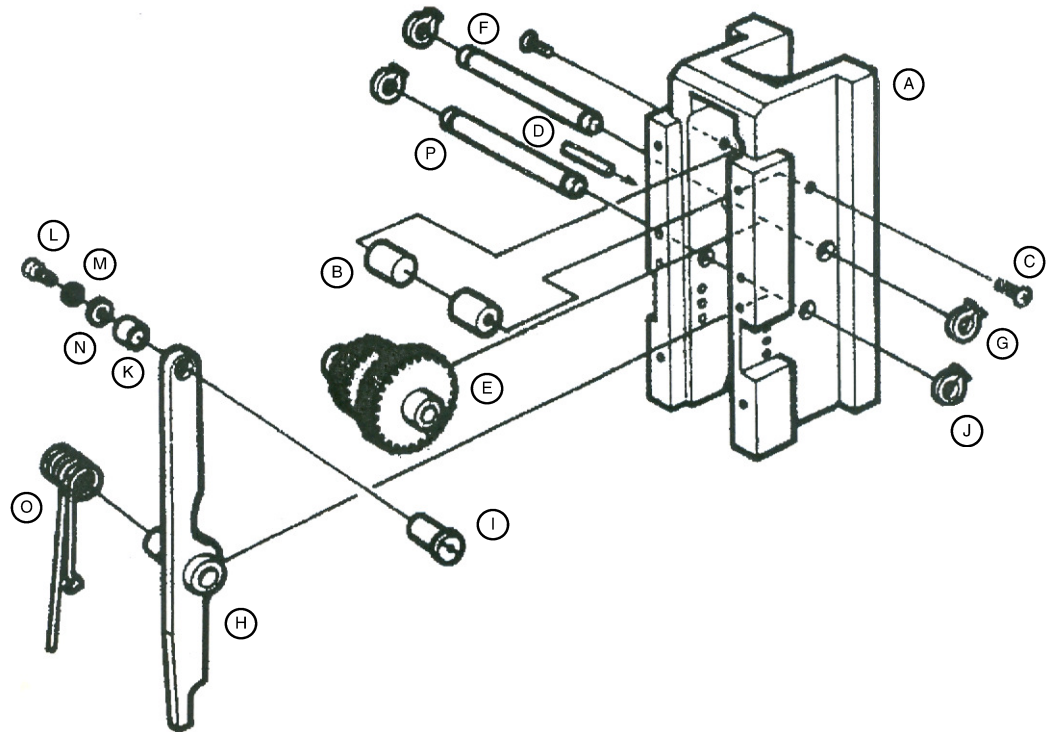


Parts for Avery Dennison ST9000™ Plastic Staple® Attacher — New Style — Head — Internal Parts

Note: New style ST9000 have the Style Number 10646-1, which is printed on the machine.



Univ. Number	Fig.	Part Number	Description	Qty.
		A DT0103-001	Housing	1
		B DT0106-001	Guide, knife lever	2
		C 140003009001	Screw M4 x 8mm	2
		D 047301-842	Spring pin 3	1
16014		E DT0108-001	Gear, ejector	1
		F DT0116-001	Shaft	1
		G 048060-142	C-Ring 6	2
		H DT0110-001	Assembly, knife lever	1
		I DT0112-001	Shaft, knife roller	1
		J 048060-142	C-Ring 6	2
		K DT0113-001	Knife roller	1
		L 018300-831	Screw M3 x 8mm	1
		M 028030-242	Lock washer D3	1
		N 026030-232	Washer D3	1
17015		O DT0115-001	Spring, knife lever	1
		P DT0116-001	Shaft, knife lever	1