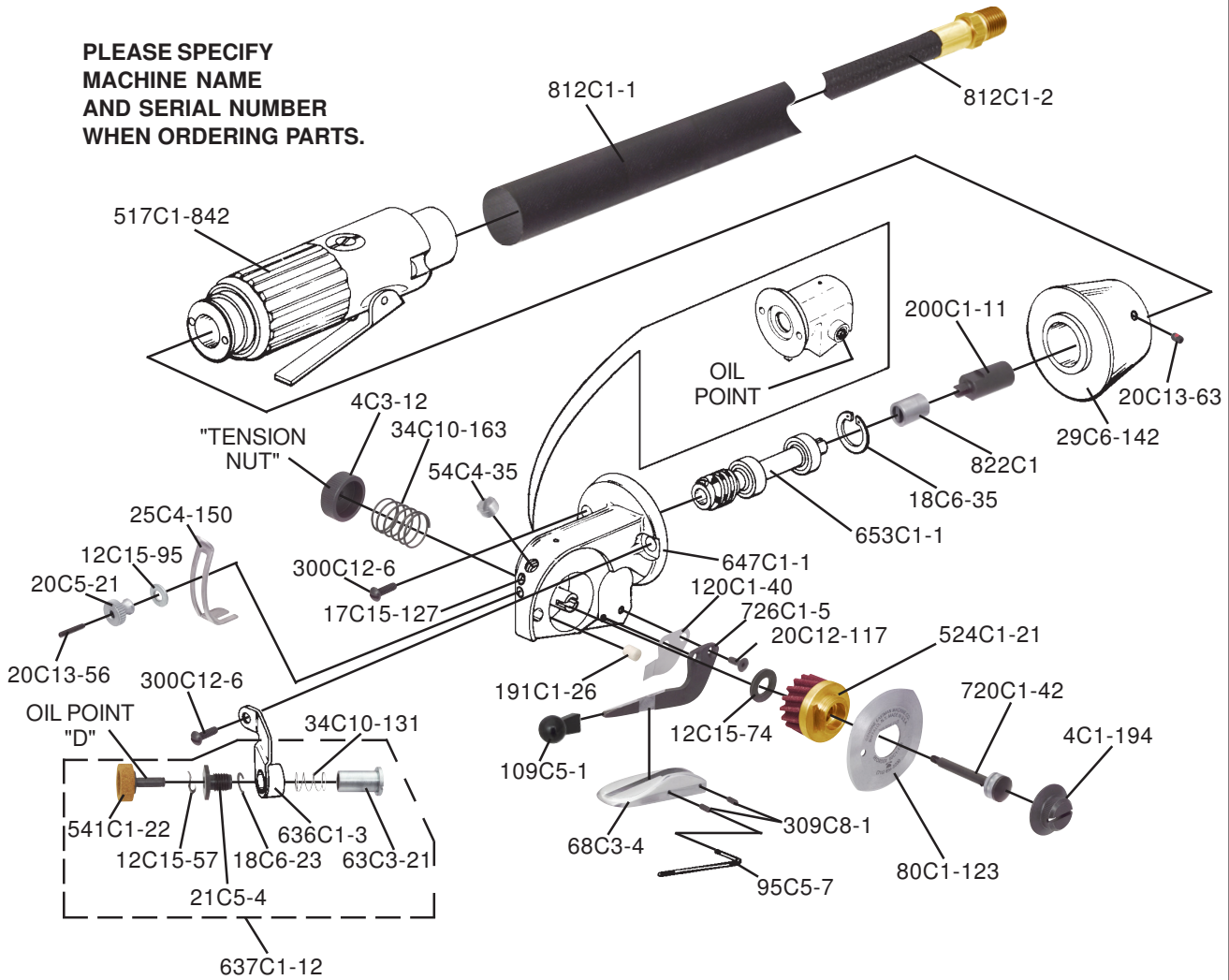


"Genuine" Parts For Eastman Buzzaird™

Model Buzzaird

PLEASE SPECIFY
MACHINE NAME
AND SERIAL NUMBER
WHEN ORDERING PARTS.



Univ. Number	Eastman Number	Description	Univ. Number	Eastman Number	Description
GE2004	4C1-194	Knife Lock Nut	GE1291	80C1-123	Knife
GE2005	4C3-12	Adjusting Nut		95C5-7	Allen Key
GE1663	12C15-57	Spring Washer	GE1841	109C5-1	Ball Tip
GE1739	12C15-74	Thrust Washer	GE1905	120C1-40	Knife Plow
GE2006	12C15-95	Washer (For Knife Guard)	GE2013	191C1-26	Oil Felt
	17C15-127	Pin	GE2014	200C1-11	Driver (For Motor Shaft)
GE1785	18C6-23	Retaining Ring	GE2015	300C12-6	Round Head Screw (8-32 x 1/2") (2)
	18C6-35	Retaining Ring	GE2016	309C8-1	Socket Set Screw (4-40 x 1/4") (2)
	20C5-21	Clamp Screw		517C1-842	Air Motor
GE2008	20C12-117	Flat Head Screw (6-32 x 3/8")	GE1911	524C1-21	Knife Gear
GE1416	20C13-56	Socket Set Screw (6-32 x 3/4")	GE1201	541C1-22	Sharpening Stone
GE1696	20C13-63	Set Screw		636C1-3	Sharpener Bracket
GE1790	21C5-4	Sharpener Bushing	GE2017	637C1-12	Sharpener, Complete
GE2010	25C4-150	Knife Guard		647C1-1	Standard Housing
	29C6-142	Motor Adapter		653C1-1	Worm, Complete
GE1792	34C10-131	Sharpener Spring	GE2018	720C1-42	Knife Rod, Complete
GE2011	34C10-163	Knife Spring	GE1913	726C1-5	Shear Plate
GE1482	54C4-35	Plug	GE2019	817C1-1	Exhaust Over Hose
GE1795	63C3-21	Sharpener Button	GE2020	817C1-2	Air Intake Hose
GE2012	68C3-4	Shear Plate Foot	GE2021	822C1	Motor Coupling

All Drawings © 1988-1990, 1993, 1995, 1996, 1998 Eastman Machine Company